



Home Sewing Machine

PARTS REFERENCE LIST

**MODEL: CS4000/CS6000/CS6000t/CS6000i
CS6000b/CS5000H/CS7000H
BC2100/BC2300/BC2500/BC1000
RS240/RS250/RS260
ES2000/ES2010/ES2020/ES2000t
ES2200/ES2210/ES2220
ES2400/ES2410/ES2420/CE4000
CE5000/CE5000PRW/HS1000
CS100t/comfort 40E/comfort 60E
EX-660/XR7700/JS50E/SM6500PRW
BC2100WT/XR6600/CS770**

MECHANISMS & ELECTRONICS

CONTENTS

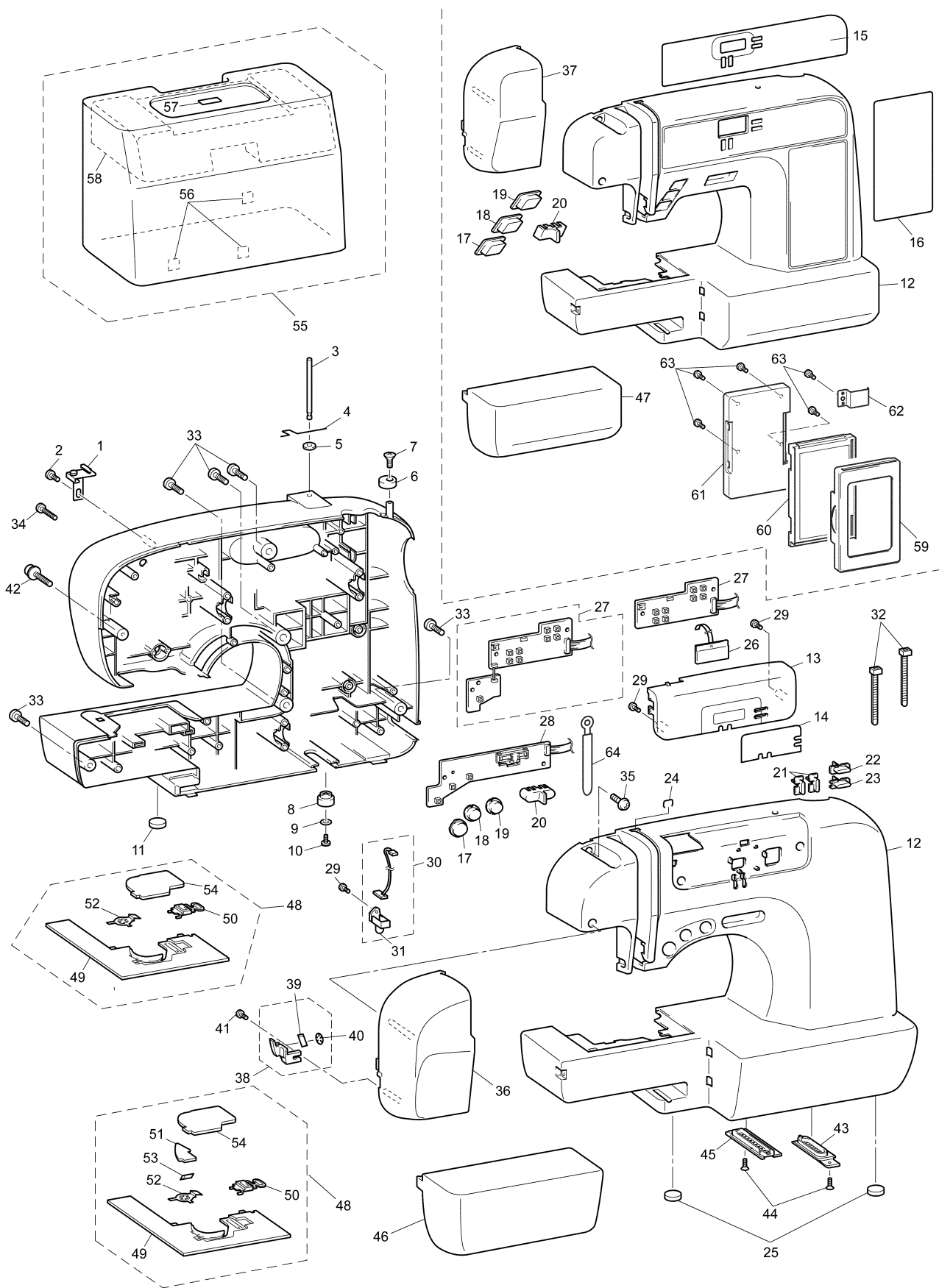
| | |
|--|----|
| (1) PRINCIPAL PARTS..... | 2 |
| (2) UPPER SHAFT / NEEDLE BAR, PRESSER / ZIGZAG MECHANISM..... | 8 |
| (3) FEED / FEED ADJUSTMENT MECHANISM | 10 |
| (4) BOBBIN WINDER / THREAD GUIDE MECHANISM | 12 |
| (5) ELECTRONIC PARTS / MOTOR UNIT..... | 14 |
| (6) ATTACHMENTS / PRINTED MATTER / PACKING MATERIALS | 16 |

Note on parts:

We keep performance parts for this sewing machine for at least 8 years after this model is discontinued. Performance parts are the necessary parts to maintain the function of the sewing machine.

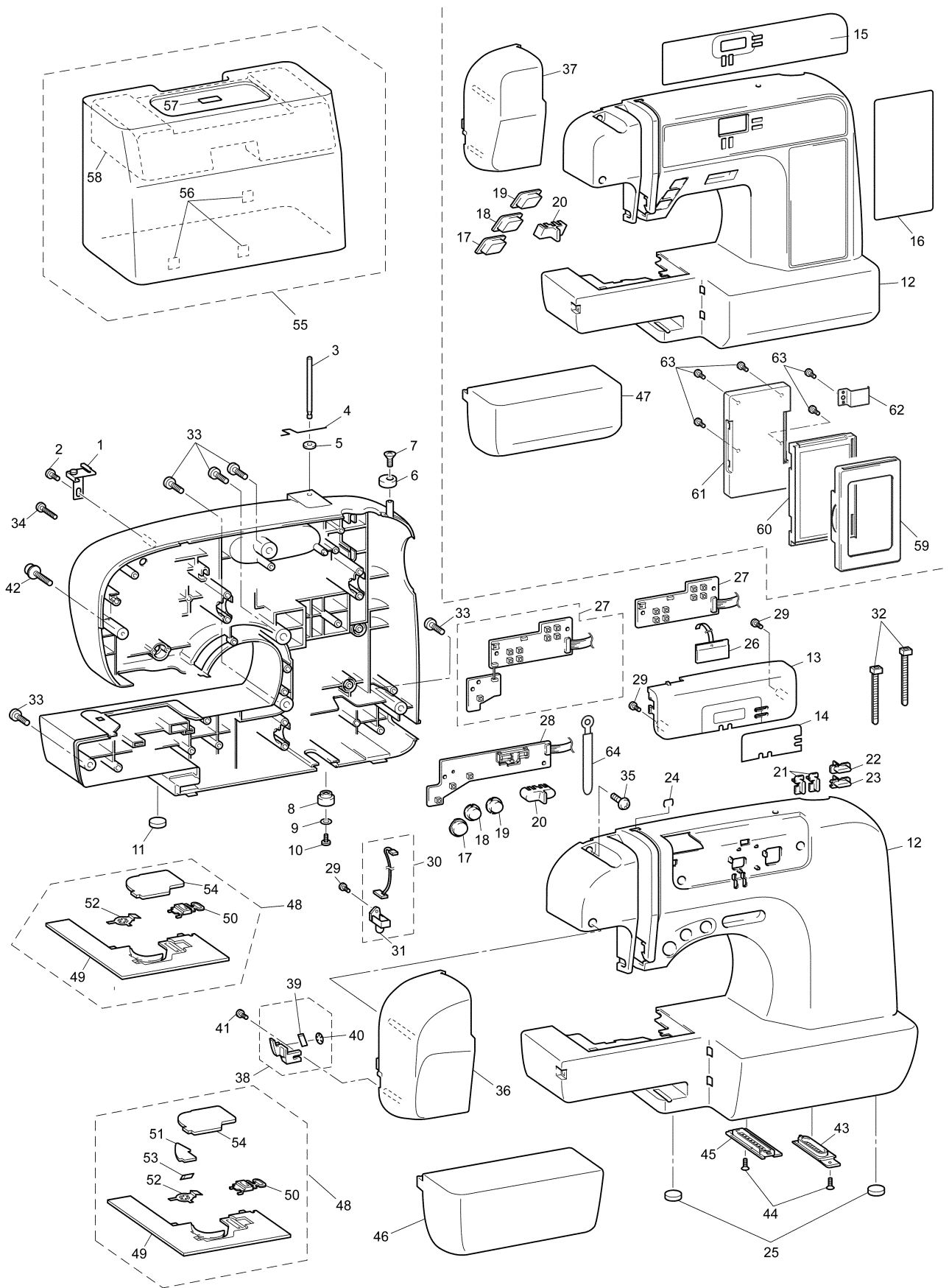
(1) PRINCIPAL PARTS

| No. | CODE | NAME | REMARKS | No. | CODE | NAME | REMARKS |
|-----|-----------|--|------------|-----|-----------|---|------------|
| 1 | XC4846021 | THREAD GUIDE ASSY | | 14 | XC8707022 | DECORATION PLATE (BC2300, BC2500: OTHER, RS250/260, CS6000*) | |
| 2 | XC3588021 | GIZA TITE 4X12 | | | XC8707025 | DECORATION PLATE (CS5000H, SM6500PRW) | ADD |
| 3 | XC8701021 | SPOOL PIN | | 15 | XC8907021 | DECORATION PLATE A (ES2000: U.S.A., ES2000t) | |
| 4 | XA0628121 | SPOOL PIN SPRING | | | XC8907022 | DECORATION PLATE A (ES2000: OTHER) | |
| 5 | XA8851021 | SPOOL PIN STAND | 050073 | | XC8907028 | DECORATION PLATE A (ES2200) | |
| 6 | XC4481121 | BOBBIN PRESSER | | | XC8907029 | DECORATION PLATE A (ES2010) | |
| 7 | XZ5031001 | TAPTITE PAN P (S/P W) 3X12 | 060058 | | XC8907030 | DECORATION PLATE A (ES2210) | |
| 8 | 138337022 | RUBBER CUSHION A | 050098 | | XC8907031 | DECORATION PLATE A (ES2020) | |
| 9 | 026350235 | WASHER PLAIN M 3.5 | | | XC8907032 | DECORATION PLATE A (ES2220) | |
| 10 | 083361216 | TAPTITE PAN B M3.5X12 | | | XC8907023 | DECORATION PLATE A (ES2400: U.S.A.) | |
| 11 | XC4077021 | BASE PLATE RUBBER | | | XC8907024 | DECORATION PLATE A (ES2400: OTHER) | |
| 12 | XC8703121 | FRONT COVER (CS4000/5000H, BC2100/2100WT, RS240) | 050232 | | XC8907026 | DECORATION PLATE A (ES2410) | |
| | XC8703122 | FRONT COVER (BC2300) | 050232 | | XC8907027 | DECORATION PLATE A (ES2420) | |
| | XC8906021 | FRONT COVER (ES20**/22**, comfort 40E, CS770, CE4000/5000*, JS50E) | 1000011867 | | XC8907039 | DECORATION PLATE A (comfort 40E) | |
| | XC8920121 | FRONT COVER (CS6000/6000t/6000b, CS6000i: BRA, ARG, PRY, BC2500, RS260) | | | XC8907040 | DECORATION PLATE A (comfort 60E) | |
| | XC8926121 | FRONT COVER (ES24**, comfort60E, CS100t/7000H, EX-660, HS1000) | 1000001653 | | XC8907041 | DECORATION PLATE A (CS100t) | |
| | XC8703123 | FRONT COVER (RS250) | ADD | | XC8907046 | DECORATION PLATE A (EX-660) | ADD |
| | XC8920124 | FRONT COVER (CS6000i) | ADD | | XC8907047 | DECORATION PLATE A (CE4000) | ADD |
| | XC8926123 | FRONT COVER (XR7700) | ADD | | XC8907048 | DECORATION PLATE A (BC1000) | ADD |
| | XC8920126 | FRONT COVER (SM6500PRW) | 1000006064 | | XC8907049 | DECORATION PLATE A (HS1000) | ADD |
| | XC8906022 | FRONT COVER (XR6600) | 1000007588 | | XC8907051 | DECORATION PLATE A (CS7000H) | ADD |
| 13 | XC8705025 | FRONT PANEL (CS4000) | | | XC8907052 | DECORATION PLATE A (XR7700) | ADD |
| | XC8705021 | FRONT PANEL (BC2100, BC2100WT) | | | XC8907056 | DECORATION PLATE A (CE5000PRW) | 1000007194 |
| | XC8705027 | FRONT PANEL (BC2300) | | | XC8907055 | DECORATION PLATE A (JS50E) | 1000006807 |
| | XC8705028 | FRONT PANEL (RS240) | | | XC8907057 | DECORATION PLATE A (XR6600) | 1000007588 |
| | XC8705026 | FRONT PANEL (CS6000/6000t/6000b) | | | XC8907058 | DECORATION PLATE A (CS770) | 1000008135 |
| | XC8705031 | FRONT PANEL (CS6000i) | ADD | | XC8907059 | DECORATION PLATE A (CE5000) | 1000011867 |
| | XC8705022 | FRONT PANEL (BC2500: OTHER) | | 16 | XC8909021 | DECORATION PLATE B (ES2000: U.S.A., ES2000t) | |
| | XC8705029 | FRONT PANEL (RS260) | | | XC8909022 | DECORATION PLATE B (ES2000: OTHER) | |
| | XC8705030 | FRONT PANEL (BC2500: AUSTRALIA) | | | XC8909036 | DECORATION PLATE B (ES2200) | |
| | XC8705032 | FRONT PANEL (RS250) | ADD | | XC8909037 | DECORATION PLATE B (ES2010) | |
| | XC8705033 | FRONT PANEL (CS5000H) | ADD | | XC8909038 | DECORATION PLATE B (ES2210) | |
| | XC8705035 | FRONT PANEL (SM6500PRW) | 1000006064 | | XC8909039 | DECORATION PLATE B (ES2020) | |
| 14 | XC8707021 | DECORATION PLATE (CS4000, RS240, BC2100/2100WT, BC2500: AUS) | | | XC8909040 | DECORATION PLATE B (ES2220) | |
| | | | | | XC8909023 | DECORATION PLATE B (ES2400: U.S.A.) | |
| | | | | | XC8909024 | DECORATION PLATE B (ES2400: OTHER) | |
| | | | | | XC8909034 | DECORATION PLATE B (ES2410) | |
| | | | | | XC8909035 | DECORATION PLATE B (ES2420, CS100t) | |
| | | | | | XC8909041 | DECORATION PLATE B (comfort 40E) | |



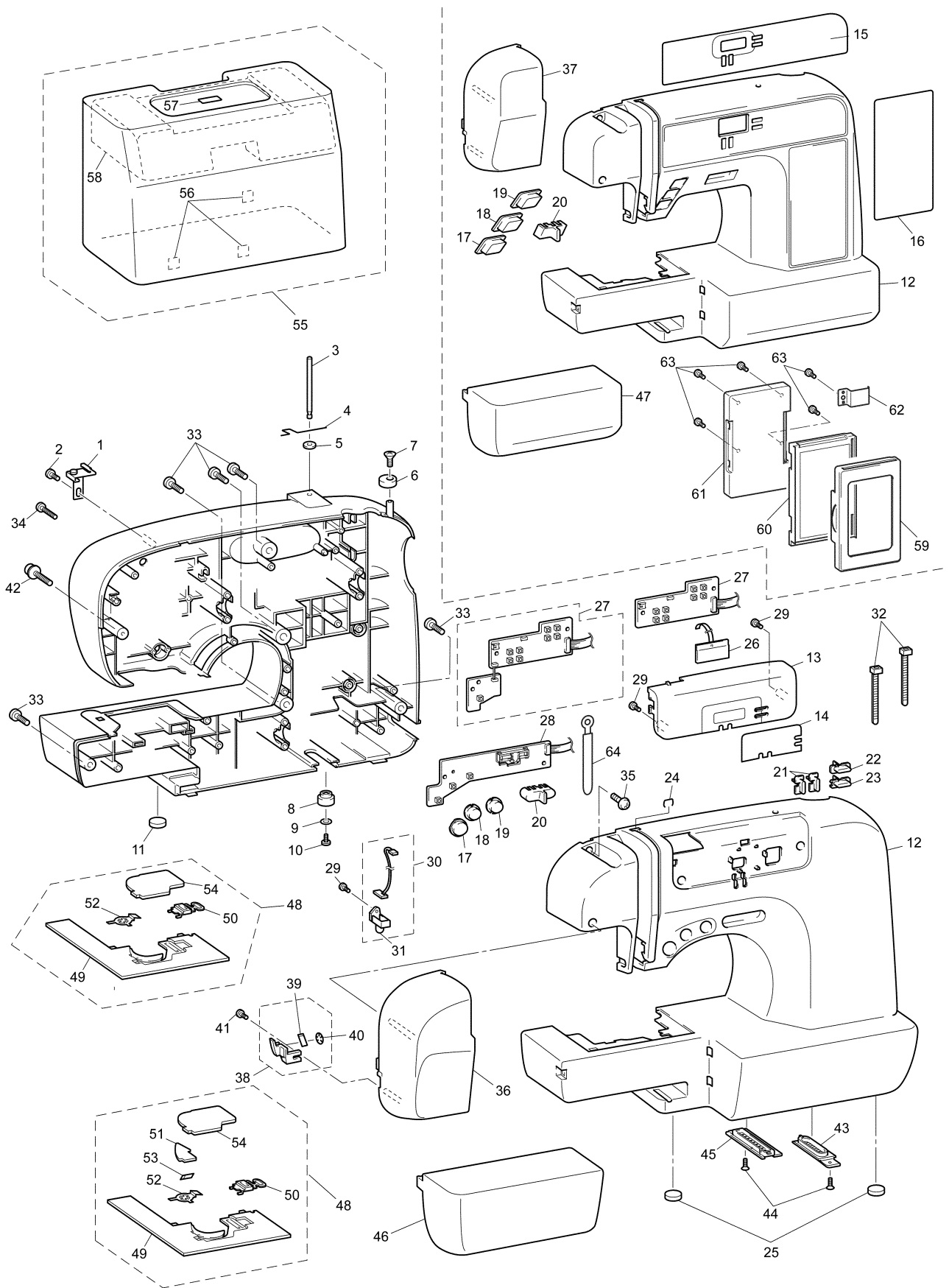
(1) PRINCIPAL PARTS

| No. | CODE | NAME | REMARKS | No. | CODE | NAME | REMARKS |
|-----|-----------|--|------------|-----|-----------|---|------------|
| 16 | XC8909042 | DECORATION PLATE B (comfort 60E) | | 22 | XC8913021 | MANUAL BUTTON A (CS7000H/100t/770, BC1000, ES2000*/22**/24**, CE4000/5000*, HS1000, comfort40E/60E, EX-660, XR6600/7700, JS50E) | |
| | XC8909060 | DECORATION PLATE B (EX-660) | ADD | | | | |
| | XC8909061 | DECORATION PLATE B (CE4000) | ADD | | | | |
| | XC8909062 | DECORATION PLATE B (BC1000) | ADD | | | | |
| | XC8909064 | DECORATION PLATE B (HS1000) | ADD | | | | |
| | XC8909065 | DECORATION PLATE B (CS7000H) | | | | | |
| | XC8909066 | DECORATION PLATE B (CE5000*) | 1000006069 | | | | |
| | XC8909067 | DECORATION PLATE B (JS50E) | 1000006807 | | | | |
| | XC8909068 | DECORATION PLATE B (CS770) | 1000008135 | | | | |
| 17 | XC8922121 | SS BUTTON (CS6000*, BC2500, RS260, SM6500PRW) | 1000009255 | 23 | XC8712021 | MANUAL BUTTON B (CS4000/6000*/5000H, SM6500PRW, BC2100*/2300/2500, RS240/250/260) | |
| | XC8928021 | SS BUTTON (ES24**, comfort60E, CS100t, EX-660, BC1000, HS1000, CS5000H, XR7700) | | | | | |
| 18 | XC8709021 | BACKSTITCHING BUTTON (CS4000/6000*/5000H, SM6500PRW, BC2100*/2300/2500, RS240/250/260) | | 24 | X53625121 | UPPER COVER THREAD GUIDE | |
| | XC8911021 | BACKSTITCHING BUTTON (ES20**/22**/2400, comfort 40E/60E, CS7000H/100t/770, EX-660, BC1000, CE4000/5000*, XR7700, JS50E, XR6600) | | | | | |
| 19 | XC8923021 | NP BUTTON (CS6000*, BC2500, RS260, SM6500PRW) | | 25 | XC4077021 | BASE PLATE RUBBER | |
| | XC8929021 | NP BUTTON (ES24**, comfort60E, CS100t, EX-660, BC1000, HS1000, CS7000H, XR7700) | | 26 | XC9822021 | LCD SUPPLY ASSY | |
| 20 | XC8924021 | SV KEYPAD (CS6000*, BC2500, RS260, SM6500PRW) | | 27 | XC9823021 | OPERATION PCB SUPPLY ASSY (CS4000/5000H, BC2100/2300, RS240/250/260) | |
| | XC8930021 | SV KEYPAD (ES24**, comfort60E, CS100t, EX-660, BC1000, HS1000, CS7000H, XR7700) | | | | | |
| 21 | XC8710021 | SELECTING BUTTON (CS4000/6000*/5000H, RS240/250/260, BC2100*/2300/2500, SM6500PRW) | | 28 | XC9824021 | OPERATION PCB SUPPLY ASSY (CS6000*/7000H/100t, comfort60E, RS260, BC2500/1000, ES24**, EX-660, HS1000, XR7700, SM6500PRW) | |
| | XC8912021 | SELECTING BUTTON (ES2000*/22**/24**, comfort40E/60E, CS7000H/100t/770, EX-660, BC1000, CE4000/5000*, HS1000, XR6600/7700, JS50E) | | | | | |
| 22 | XC8711021 | MANUAL BUTTON A (CS4000/6000*/5000H, RS240/250/260, BC2100*/2300/2500, SM6500PRW) | | 29 | 085311015 | TAPTITE BIND B M3X10 | |
| | | | | | | | |
| | | | | 30 | XC9825021 | LED LAMP RIGHT SUPPLY ASSY | |
| | | | | 31 | XC3506021 | LED LAMP HOLDER R | |
| | | | | 32 | X53169020 | BAND | 1000003208 |
| | | | | 33 | XZ5049001 | GIZA TITE (S/P W) 5X18 | 1000003021 |
| | | | | 34 | XE2261001 | GIZA TITE (S/PW) 4X25 | 1000001218 |
| | | | | 35 | XC3588021 | GIZA TITE 4X12 | |
| | | | | 36 | XC8728021 | FACE PLATE A (CS4000/6000*/5000H, SM6500PRW, BC2100*/2300/2500, RS240/250/260) | |
| | | | | | | | |



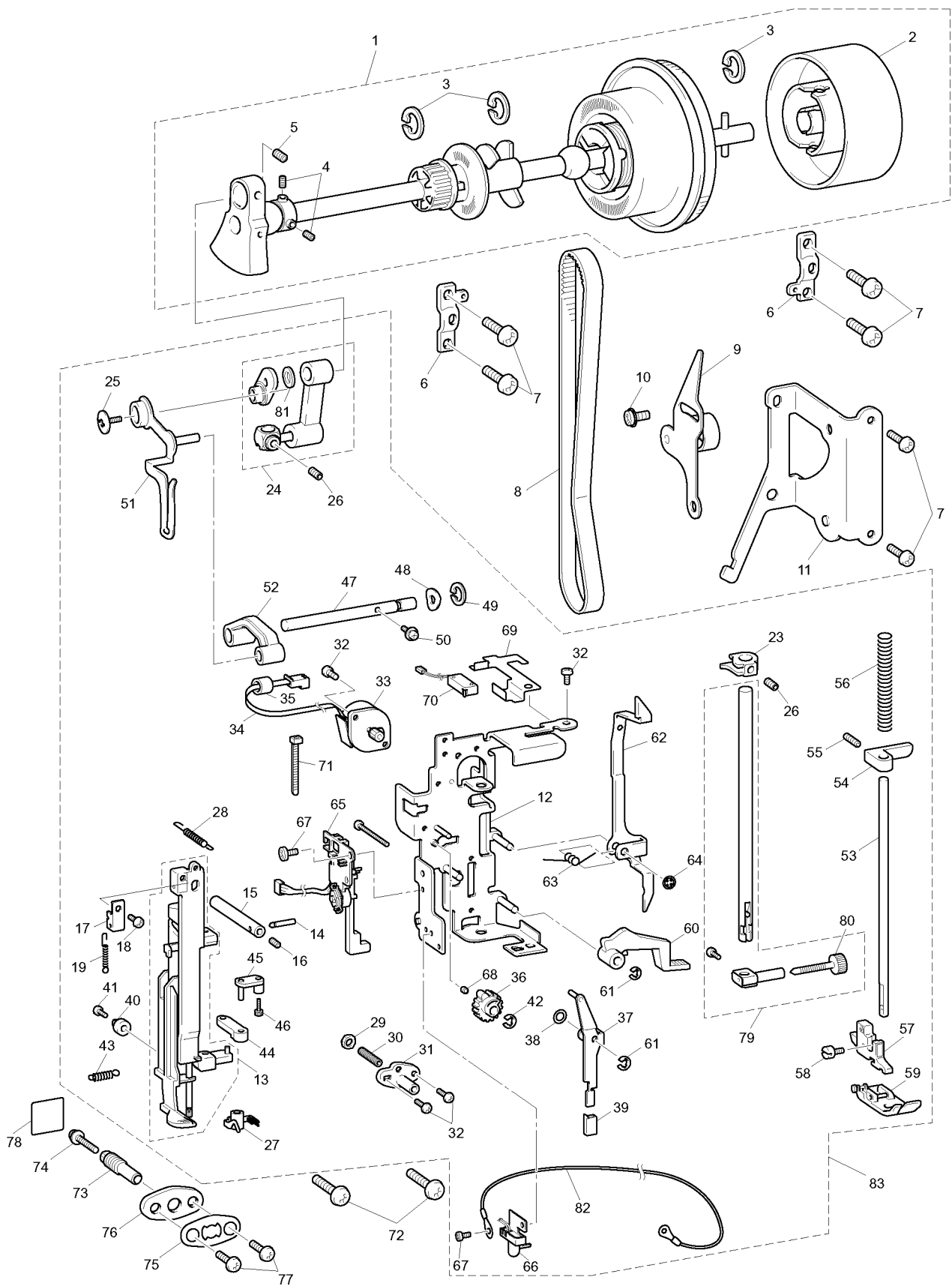
(1) PRINCIPAL PARTS

| No. | CODE | NAME | REMARKS | No. | CODE | NAME | REMARKS |
|-----|-----------|---|------------|-----|-----------|--|------------|
| 37 | XC8917021 | FACE PLATE B (ES2000*/22**/24**, comfort40E/60E, CS7000H/100t/770, EX-660, BC1000, CE4000/5000*, HS1000, XR7700, JS50E) | | 51 | XC2367021 | CUTTER COVER (CS4000/6000*/5000H/7000H/100t/770, BC1000/2100*/2300/2500, EX-660, RS240/250/260, ES2000: U.S.A., ES2400: U.S.A., CHN, comfort40E/60E, HS1000, CE4000/5000*, XR7700, JS50E, SM6500PRW) | |
| 38 | XC4855021 | CUTTER COVER ASSY | | 52 | XC2368021 | SPRING PLATE | |
| 39 | X80321021 | NT LOWER THREAD CUTTER | | 53 | X80321021 | NT LOWER THREAD CUTTER (CS4000/6000*/5000H/7000H/100t/770, BC1000/2100*/2300/2500, EX-660, RS240/250/260, ES2000: U.S.A., ES2400: U.S.A., CHN, comfort40E/60E, HS1000, CE4000/5000*, XR7700, JS50E, SM6500PRW) | |
| 40 | 138384021 | RETAINING RING, CS5 | | 54 | XD1645021 | NEEDLE PLATE COVER SUPPLY ASSY | 1000001728 |
| 41 | 085311215 | TAPTITE BIND B M3X12 | | 55 | XD0269022 | HARD CASE ASSY (CS6000i/5000H/7000H/100t, EX-660, XR6600/7700, BC2100WT) | |
| 42 | XA3337022 | TAPTITE, CUP P M4X20 | | 56 | 125440020 | CASE FELT (CS6000i/5000H/7000H/100t, EX-660, XR6600/7700, BC2100WT) | |
| 43 | XC4857021 | BASE COVER | | 57 | XD0271021 | MODEL MARK (CS6000i/5000H/7000H/100t, EX-660, XR6600/7700, BC2100WT) | |
| 44 | 084310815 | TAPTITE FLAT B M3X8 | | 58 | XD0281120 | UNDER CASE POLYSTYRENE (CS6000i/5000H/7000H/100t, EX-660, XR6600/7700, BC2100WT) | |
| 45 | XC8729021 | BASE COVER A | | 59 | XE2371001 | PANEL COVER (XR7700/6600) | ADD |
| 46 | XC8730021 | ACCESSORY TABLE A (CS4000/6000*/5000H, SM6500PRW, BC2100*/2300/2500, RS240/250/260) | | 60 | XE2372001 | CARD HOLDER ASSY (XR7700: U.S.A.) | ADD |
| 47 | XC8918021 | ACCESSORY TABLE B (ES2000*/22**/24**, comfort40E/60E, CS7000H/100t/770, EX-660, BC1000, CE4000/5000*, HS1000, XR7700, JS50E) | | | XE4456001 | CARD HOLDER ASSY (XR7700: CAN) | 1000006894 |
| | XC8918022 | ACCESSORY TABLE B (XR7700/6600) | ADD | | XE4752001 | CARD HOLDER ASSY (XR6600) | 1000007588 |
| 48 | XC3520221 | NEEDLE PLATE B ASSY (CS4000/6000*/5000H/7000H/100t/770, BC1000/2100*/2300/2500, EX-660, RS240/250/260, ES2000: U.S.A., ES2400: U.S.A., CHN, comfort40E/60E, HS1000, CE4000/5000*, XR7700, JS50E, SM6500PRW) | 1000006517 | 61 | XE2376001 | PANEL BASE (XR7700) | ADD |
| | XC4859121 | NEEDLE PLATE B ASSY (ES2000: OTHER, ES2010, ES2020, ES22**, ES2400: OTHER, ES2410/2420, XR6600) | 1000006517 | | XE4726001 | PANEL BASE (XR6600) | 1000007588 |
| 49 | XC3521221 | NEEDLE PLATE B (CS4000/6000*/5000H/7000H/100t/770, BC1000/2100*/2300/2500, EX-660, RS240/250/260, ES2000: U.S.A., ES2400: U.S.A., CHN, comfort40E/60E, HS1000, CE4000/5000*, XR7700, JS50E, SM6500PRW) | 1000006517 | 62 | XE2378001 | SPRING PLATE (XR7700/6600) | ADD |
| | XC4860121 | NEEDLE PLATE B (ES2000: OTHER, ES2010, ES2020, ES22**, ES2400: OTHER, ES2410/2420, XR6600) | 1000006517 | 63 | 136681021 | TAPTITE, BIND B M3X8 (XR7700/6600) | ADD |
| 50 | XC7371021 | SLIDE BUTTON | | 64 | X52318021 | COACHING CLIP CS-2 | 1000010305 |
| | | | | | XE3360001 | LOWER THREAD GUIDE LABEL | 1000015275 |
| | | | | | | | |
| | | | | | | | |
| | | | | | | | |
| | | | | | | | |
| | | | | | | | |
| | | | | | | | |
| | | | | | | | |



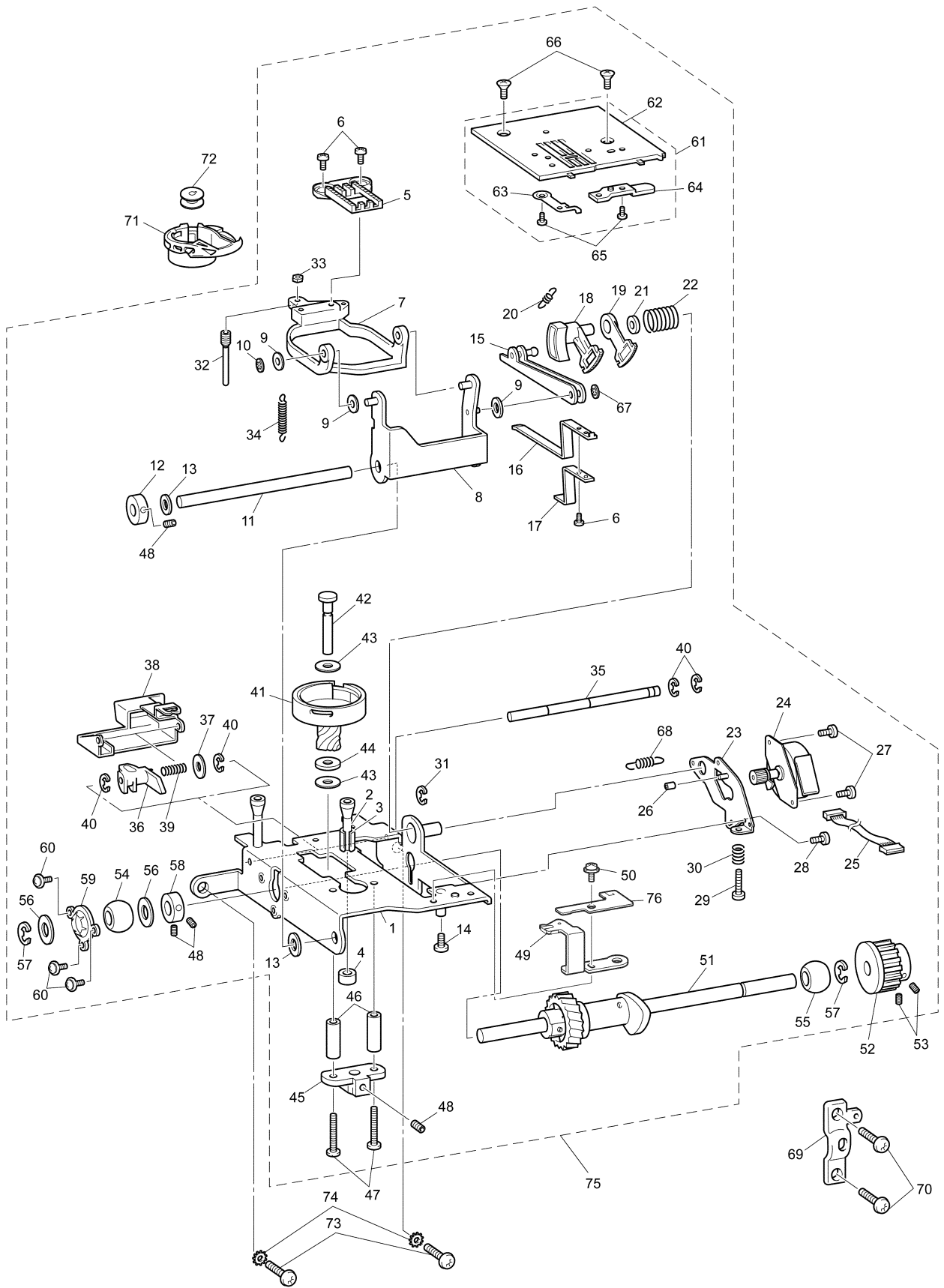
(2) UPPER SHAFT / NEEDLE BAR, PRESSER / ZIGZAG MECHANISM

| No. | CODE | NAME | REMARKS | No. | CODE | NAME | REMARKS |
|-------------------------------|----------------------|--------------------------------|-----------------------|-----|-----------|--|------------|
| UPPER SHAFT MECHANISM | | | | 43 | XC2748021 | SPRING-Z | |
| 1 | XE3703001 | UPPER SHAFT SUPPLY ASSY | 1000006160 | 44 | XC2436021 | NEEDLE HOLDER BLOCK | |
| 2 | XC3529021 | PULLEY | | 45 | XC2437021 | SHAFT ASSY | |
| 3 | 048060346 | RETAINING RING E6 | 1000001451 | 46 | XC3037021 | SCREW3X10 | |
| 4 | 014400432 | SET SCREW SOCKET (CP) M4X4 | | 47 | XC8765121 | SHAFT | 1000003523 |
| 5 | 012500532 | SET SCREW SOCKET (FT) M5X5 | | 48 | XZ5030001 | WASHER, SPRING | 060059 |
| 6 | XC3534121 | UPPER SHAFT BEARING PRESSER | | 49 | 048050346 | RETAINING RING E5 | 1000001451 |
| 7 | XC3496021 | GIZA TITE 5X16 | | 50 | XC3338021 | SCREW 3X8 | |
| 8 | XE5842001 | TIMING BELT 420-5KC-6 | 1000010865 | 51 | XC8564031 | THREAD TAKE-UP LEVER | |
| 9 | XC4870021 | TENSION PULLEY ASSY | | 52 | XC4897020 | THREAD TAKE-UP LEVER LINK | |
| 10 | 0A4400806 | SCREW PAN (S/P WASHER) M4X8 | | 53 | XC4898021 | PRESSER BAR | |
| 11 | XC8739020 | TENSION PULLEY HOLDER | | 54 | XC4899121 | PRESSER BAR CLAMP | 050261 |
| NEEDLE BAR, PRESSER MECHANISM | | | | 55 | XC7207021 | SCREW STUD M5 | 050037 |
| 12 | XC8741121 | BASE HOLDER ASSY | 1000003523 | 56 | XC4900021 | SPRING | |
| 13 | XC8748121 | NEEDLE BAR SUPPORTER ASSY | 1000003102 | 57 | XC3015031 | PRESSER FEED HOLDER ASSY | |
| 14 | XC2420020 | SHAFT | | 58 | 132730122 | TIGHTENING SCREW 3.57 | |
| 15 | XC8754021 | NEEDLE HOLDER SHAFT A | | 59 | XC3021031 | Z FOOT | |
| 16 | 014300532 | SET SCREW SOCKET (CP) M3X5 | | 60 | XC4902021 | PRESSER FOOT LIFTER | |
| 17 | XC8755020 | PLATE | | 61 | 048040346 | RETAINING RING E4 | 1000001451 |
| 18 | 060300516 | SCREW BIND M3X5 | | 62 | XC8766020 | THREAD RELEASE LEVER | |
| 19 | X50476021 | SPRING | | 63 | XC4904121 | SPRING | |
| 20 | XC8567131 | NEEDLE BAR ASSY | DEL 050205 | 64 | 146200021 | RETAINING RING, CS4 | |
| 21 | XC8560131 | NEEDLE BLOCK ASSY | DEL 050205 | 65 | XC8767021 | BH SWITCH ASSY | |
| 22 | X58913021 | BIND 2X3 | DEL 050205 | 66 | XC9827021 | LED LAMP LEFT SUPPLY ASSY | |
| 23 | XC2434021 | NEEDLE THREAD BLOCK | | 67 | 0A4400806 | SCREW PAN (S/P WASHER) M4X8 | |
| 24 | XC6562131 | NEEDLE BAR CRANK ROD ASSY | 060084 | 68 | XC8773020 | RUBBER | |
| 25 | 132051022 | SCREW, FLAT SM3.57-40X7 L | 060175 | 69 | XC8774021 | PRESSER SWITCH HOLDER | |
| 26 | 012400432 | SET SCREW SOCKET (FT) M4X4 | | 70 | XC8775021 | PF SWITCH ASSY, LE | |
| 27 | XA1854051 | THREADER HOOK ASSEMBLY | | 71 | XE2839001 | BAND | 1000003208 |
| 28 | XC2429021 | SPRING | | 72 | XC4961021 | GIZA TITE 5X20 | |
| 29 | X56851021 | LOCK NUT | | 73 | XC4905121 | ADJUSTING SCREW | 060047 |
| 30 | 014401232 | SET SCREW SOCKET (CP) M4X12 | | 74 | 060302506 | SCREW PAN M3X25 | 050143 |
| 31 | XC8756021 | SHAFT BUSHING | | 75 | XC6056120 | PLATE SPRING | 060029 |
| 32 | 060300616 | SCREW BIND M3X6 | | 76 | XC4906020 | ADJUSTING PLATE | |
| 33 | XC8757021 | Z PULSE MOTOR: M35SP-9N | | 77 | 085411015 | TAPTITE BIND B M4X10 | |
| 34 | XC8759021 | LEAD WIRE ASSY, ZPM-LE | | 78 | XC4907021 | LABEL | |
| 35 | XC5409021 | FERRITE CORE: FSRB140140RNB00T | | 79 | XE3825001 | NEEDLE BAR ASSY N | 1000006524 |
| 36 | XC8760020 | Z ZIGZAG CAM | | 80 | XE3827001 | NEEDLE CLAMP SCREW | 1000006524 |
| 37 | XC8761121 | Z ZIGZAG LEVER ASSY | 1000003984 | 81 | X53330020 | WASHER | 1000004412 |
| 38 | XC8764020 | Z LEVER CAP | | 82 | XE3856001 | LEAD WIRE ASSY: GROUND (C8G*****~) | 1000007695 |
| 39 | 137713020 | POLYESTER SLIDER | | 83 | XE4804001 | NEEDLE UNIT SUPPLY ASSY CP1 (OTHER) | 1000007800 |
| 40 | XC2435020 | ZIGZAG ADJUSTING NUT | | | XE4805001 | NEEDLE UNIT SUPPLY ASSY CP2 (ES**** for EUROPE) | 1000007800 |
| 41 | 018301032 | BOLT SOCKET M3X10 | | | XE4806001 | NEEDLE UNIT SUPPLY ASSY CP3 (XR7700) | 1000007800 |
| 42 | 048030346 | RETAINING RING E3 | 1000001451 | | | | |



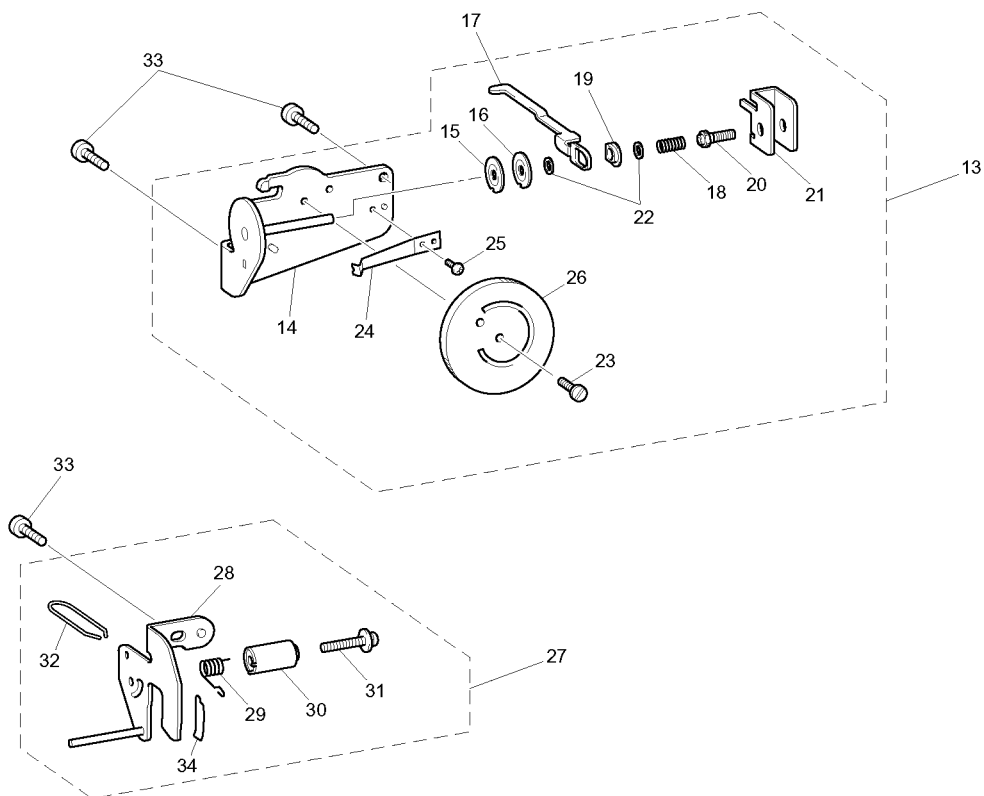
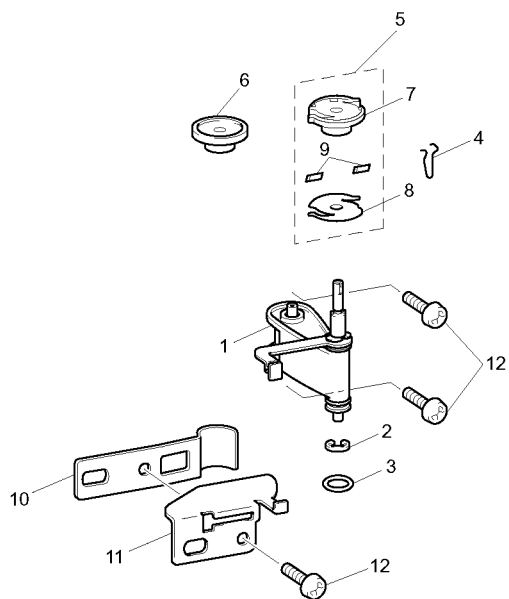
(3) FEED / FEED ADJUSTMENT MECHANISM

| No. | CODE | NAME | REMARKS | No. | CODE | NAME | REMARKS |
|----------------|-----------|--------------------------------|------------|-----|-----------|--------------------------------|------------|
| FEED MECHANISM | | | | 44 | 137976021 | WASHER 6 | |
| 1 | XC8778121 | BASE PLATE ASSY | 1000004569 | 45 | XC4937020 | SHAFT SUPPORTER | |
| 2 | XC8782021 | NEEDLE PLATE SUPPORTER SHAFT B | | 46 | XC4938020 | COLLAR | |
| 3 | XC8783020 | FEED ARM SUPPORTER | | 47 | XC6551021 | SCREW, PAN (S/P WASHER) M4X22 | |
| 4 | 021300106 | NUT 1 M3 | | 48 | 014400432 | SET SCREW SOCKET (CP) M4X4 | |
| 5 | XC5467131 | FEED DOG | 1000007241 | 49 | XE3651001 | INNER ROTARY HOOK BRACKET ASSY | 1000004976 |
| 6 | 060300616 | SCREW BIND M3X6 | | 50 | 0A5300806 | SCREW PAN (S/P WASHER) M3X8 | 1000015250 |
| 7 | XC8785021 | FEED BAR | | 51 | XC8796021 | LOWER SHAFT ASSY | |
| 8 | XC8786121 | FEED ARM A ASSY | 1000003468 | 52 | XC4943021 | TIMING PULLEY D | |
| 9 | 137999020 | POLYESTER SLIDER | | 53 | 014500532 | SET SCREW SOCKET (CP) M5X5 | |
| 10 | 146200021 | RETAINING RING, CS4 | | 54 | X52664020 | LOWER SHAFT BUSHING | |
| 11 | XC8789021 | HORIZONTAL FEED SHAFT | | 55 | XC3792020 | UPPER SHAFT BUSHING | |
| 12 | 130676121 | SET SCREW COLLAR | | 56 | X51383020 | WASHER, THRUST | |
| 13 | X50546020 | WASHER, THRUST | | 57 | 048060346 | RETAINING RING E6 | 1000001451 |
| 14 | 060301206 | SCREW BIND M3X12 | 050179 | 58 | XC8798021 | SET COLLAR | |
| 15 | XC4924021 | FEED ARM ASSY | | 59 | XC4944021 | BUSHING PRESSER B | |
| 16 | XC4927021 | FEED SUPPORTING PLATE | | 60 | 085310615 | TAPTITE BIND B M3X6 | |
| 17 | XC4928120 | FEED SUPPORTING PLATE B | 1000000733 | 61 | XC8565031 | NEEDLE PLATE A ASSY | |
| 18 | XC2527121 | FEED ADJUSTER | 1000000154 | 62 | XC8566031 | NEEDLE PLATE A | |
| 19 | XC2529020 | F GEAR | | 63 | XC2570131 | STOPPER PLATE | 050293 |
| 20 | XC2530021 | SPRING | | 64 | XC2571031 | F GEAR STOPPER PLATE | |
| 21 | 137713020 | POLYESTER SLIDER | | 65 | 060260316 | SCREW BIND M2.6X3 | |
| 22 | XC2531021 | SPRING | | 66 | X50487021 | SCREW M4 | 1000010447 |
| 23 | XC8791021 | FPM HOLDER SUB ASSY | | 67 | X56655021 | RETAINING RING: CSTW-3.5 | |
| 24 | XC8757021 | Z PULSE MOTOR: M35SP-9N | | 68 | XC6364021 | SPRING | |
| 25 | XC8793021 | LEAD WIRE ASSY, FPM-LE | | 69 | XC3534121 | UPPER SHAFT BEARING PRESSER | |
| 26 | XC8773020 | RUBBER | | 70 | XC3496021 | GIZA TITE 5X16 | |
| 27 | 060300416 | SCREW BIND M3X4 | | 71 | XC3152221 | INNER ROTARY HOOK ASSY | 050175 |
| 28 | XC3338021 | SCREW3X8 | | 72 | X52800120 | BOBBIN | |
| 29 | 018402533 | BOLT SOCKET M4X25 | 1000002623 | 73 | XC3805021 | GIZA TITE 5X16 | |
| 30 | XC2537021 | SPRING | | 74 | XZ5053001 | WASHER EX TOOTH 5 | 1000004713 |
| 31 | XC9924021 | RETAINING RING 10 | | 75 | XE4812101 | FEED UNIT SUPPLY ASSY CP3 | 1000015250 |
| 32 | XC3941021 | VERTICAL ADJUSTER SCREW ASSY | | 76 | XE7323001 | IRH BRACKET SUPPORT PLATE | 1000015250 |
| 33 | XC2546021 | M5 NUT | | | | | |
| 34 | XC4935021 | SPRING | | | | | |
| 35 | XC8794021 | VERTICAL FEED SHAFT | | | | | |
| 36 | XC2551020 | VERTICAL LEVER | | | | | |
| 37 | 025040332 | WASHER PLAIN L 4 | | | | | |
| 38 | XC8795121 | DROP KNOB | 1000007782 | | | | |
| 39 | XC2550021 | SPRING | | | | | |
| 40 | 048030346 | RETAINING RING E3 | 1000001451 | | | | |
| 41 | XD0115021 | OUTER ROTARY HOOK ASSY | | | | | |
| 42 | XD1943021 | OUTER ROTARY HOOK SHAFT | 050320 | | | | |
| 43 | 137805022 | SPACER | 050246 | | | | |



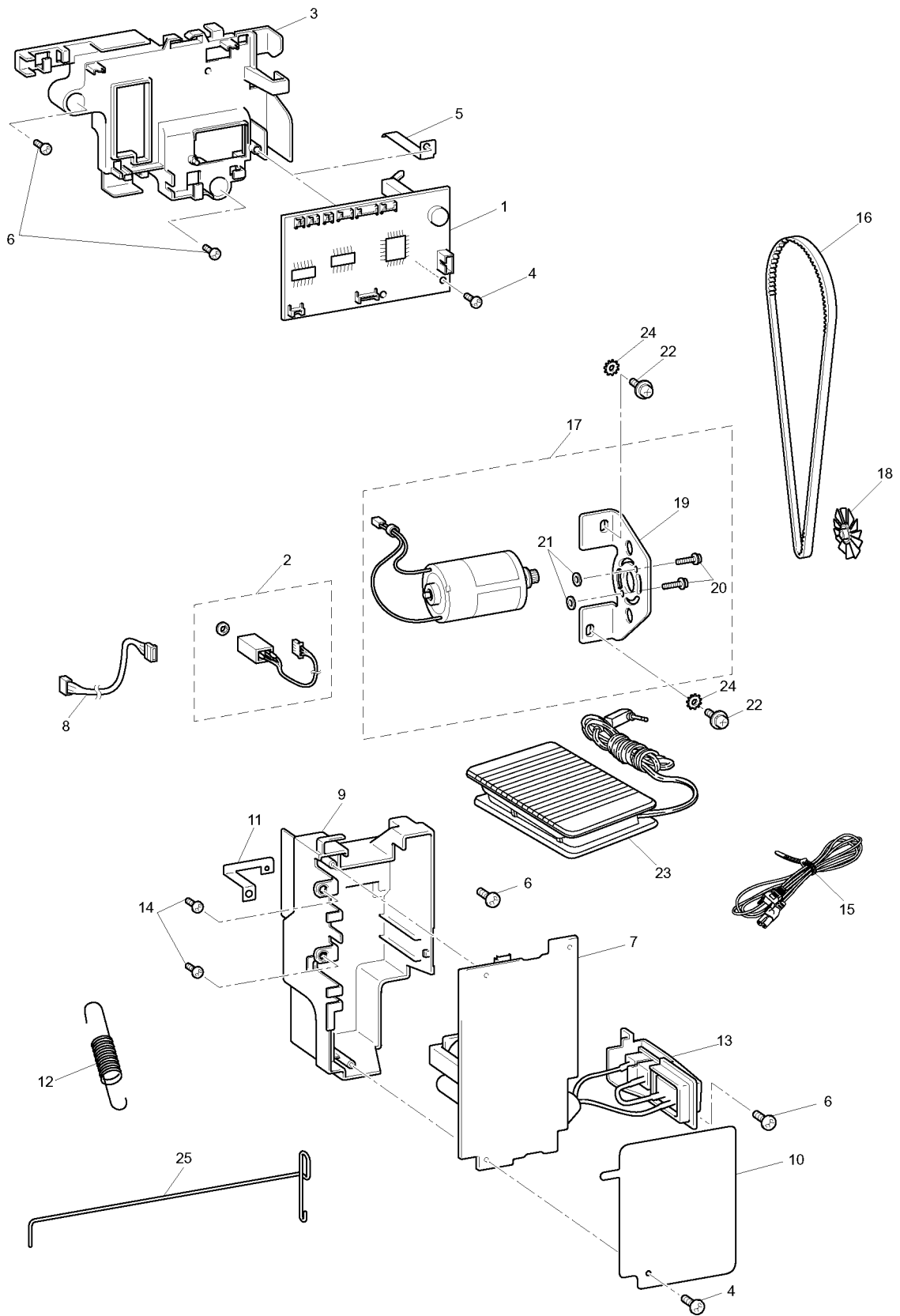
(4) BOBBIN WINDER / THREAD GUIDE MECHANISM

| No. | CODE | NAME | REMARKS | No. | CODE | NAME | REMARKS |
|-------------------------|-----------|---|------------|------------------------|-----------|--------------------------------|------------|
| BOBBIN WINDER MECHANISM | | | | THREAD GUIDE MECHANISM | | | |
| 1 | XC8799121 | BOBBIN WINDER ASSY | 050170 | 13 | XE5754001 | THREAD GUIDE A ASSY | 1000010411 |
| 2 | 048050346 | RETAINING RING E5 | 1000001451 | 14 | XC5048021 | THREAD TENSION HOLDER ASSY | |
| 3 | X55238021 | RUBBER RING | | 15 | XA0083121 | TENSION DISC A | 1000006407 |
| 4 | XZ5039001 | BOBBIN WINDER SHAFT SPRING | 1000007742 | 16 | XA0084121 | TENSION DISC B | 1000006407 |
| 5 | XC9116021 | BOBBIN BASE ASSY (CS6000*/7000H/100t, BC2500/1000, RS260, ES2400: U.S.A., CHN, EX-660, HS1000, XR7700, SM6500PRW) | | 17 | XC8828020 | THREAD RELEASE PLATE | |
| 6 | XC8803021 | BOBBIN BASE (CS4000/5000H/770, BC2100*/2300, RS240/250, ES20**/22**, XR6600 ES2400: OTHER, ES2410, ES2420, CE4000/5000*, JS50E) | | 18 | X55842021 | SPRING | |
| 7 | XC4078121 | BOBBIN BASE (CS6000*/100t/7000H, BC2500/1000, RS260, ES2400: U.S.A., CHN, EX-660, HS1000, XR7700, SM6500PRW) | | 19 | 137881021 | TENSION DISC WASHER | |
| 8 | XA5877021 | BOBBIN THREAD CUTTER HOLDER (CS6000*/100t/7000H, BC2500/1000, RS260, ES2400: U.S.A., CHN, EX-660, HS1000, XR7700, SM6500PRW) | | 20 | XC5053021 | THREAD TENSION ADJUSTING SCREW | |
| 9 | X80321021 | NT LOWER THREAD CUTTER (CS6000*/100t/7000H, BC2500/1000, RS260, ES2400: U.S.A., CHN, EX-660, HS1000, XR7700, SM6500PRW) | | 21 | XC5054021 | THREAD TENSION PLATE | |
| 10 | XC8804020 | BOBBIN WINDER SPRING | | 22 | XD0573021 | WASHER | 050053 |
| 11 | XC8805121 | BOBBIN WINDER SHAFT STOPPER | 1000012795 | 23 | XC9234021 | TENSION DIAL SHAFT | |
| 12 | XC3496021 | GIZA TITE 5X16 | | 24 | X56839021 | NOTCHED SPRING | |
| | | | | 25 | 062300416 | SCREW, PAN M3X4 | |
| | | | | 26 | XE5650001 | THREAD TENSION DIAL | 1000010411 |
| | | | | 27 | XE2780101 | THREAD GUIDE ASSY B | 1000005353 |
| | | | | 28 | XC5060121 | THREAD TAKE-UP HOLDER B | 050177 |
| | | | | 29 | XC6957121 | THREAD TAKE UP SPRING | 1000005353 |
| | | | | 30 | XC2648121 | THREAD CATCHING SPRING CASE | 1000003151 |
| | | | | 31 | 0A4301806 | SCREW, PAN (S/P WASHE) M3X18 | |
| | | | | 32 | XC5059020 | THREAD GUIDE WIRE | |
| | | | | 33 | 085411416 | TAPTITE, BIND B M4X14 | |
| | | | | 34 | XE5984001 | SPRING TAPE | 1000011631 |
| | | | | | | | |
| | | | | | | | |
| | | | | | | | |
| | | | | | | | |
| | | | | | | | |
| | | | | | | | |
| | | | | | | | |
| | | | | | | | |
| | | | | | | | |
| | | | | | | | |
| | | | | | | | |
| | | | | | | | |



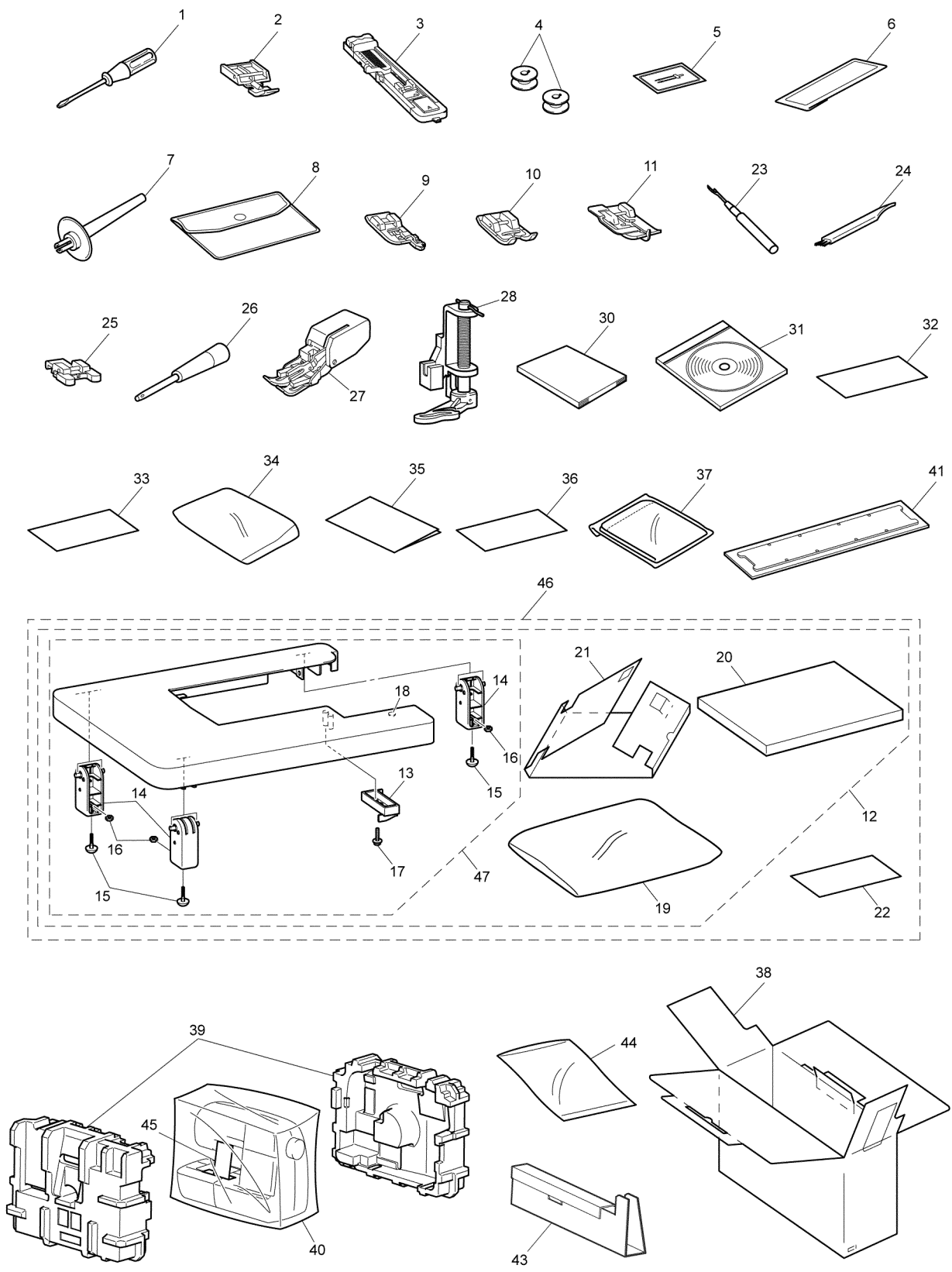
(5) ELECTRONIC PARTS / MOTOR UNIT

| No. | CODE | NAME | REMARKS | No. | CODE | NAME | REMARKS |
|------------------|-----------|---|------------|------------|-----------|--|------------|
| ELECTRONIC PARTS | | | | | | | |
| 1 | XC9828221 | MAIN PCB SUPPLY ASSY – 40 (~B8G*****) (CS4000/5000H/770, BC2100, RS240, ES20**, comfort 40E, CE4000, XR6600) | 1000007690 | 13 | XC8940121 | INLET ASSY, LE230 (BC2100*/2300/2500, RS240/250/260, ES2000, ES2400: OTHER, ES2410, ES2420, CE4000: OTHER, XR6600, comfort 40E/60E, JS50E, CS6000i: OTHER) | |
| | XC9828321 | MAIN PCB SUPPLY ASSY – 40 (C8G*****) (CS4000/5000H/770, BC2100, RS240, ES20**, comfort 40E, CE4000, XR6600) | 1000007690 | 14 | 060400816 | SCREW BIND M4X8 | |
| | XD0007221 | MAIN PCB SUPPLY ASSY – 50 (~B8G*****) (BC2300, ES22**, RS250, CE5000*, JS50E) | 1000007690 | 15 | XC6052021 | POWER SUPPLY CORD: UL CSA-LF (CS4000/6000*/5000H/7000H/100t/770, BC1000, ES2000: U.S.A., ES2000t, ES2400: U.S.A., CE4000/5000*, HS1000, EX-660, XR7700, SM6500PRW) | |
| | XD0007321 | MAIN PCB SUPPLY ASSY – 50 (C8G*****) (BC2300, ES22**, RS250, CE5000*, JS50E) | 1000007690 | | X59354121 | POWER SUPPLY CORD - BS (U.K., IRE, HKG) | |
| | XC9835221 | MAIN PCB SUPPLY ASSY – 60 (~B8G*****) (CS6000*/100t, BC2500/1000, RS260, ES24**, HS1000, comfort 60E, EX-660, SM6500PRW) | 1000007690 | | XA0070121 | POWER SUPPLY CORD (BC2100/2300/2500: OTHER, JS50E RS240/250/260, ES2000/2400: OTHER, ES2020/2220: EUR, ES2200: FRA, ES2410, ES2420, comfort 40E/60E, CE4000: OTHER, CS6000i: OTHER) | |
| | XC9835321 | MAIN PCB SUPPLY ASSY – 60 (C8G*****) (CS6000*/100t, BC2500/1000, RS260, ES24**, HS1000, comfort 60E, EX-660, SM6500PRW) | 1000007690 | | XC9548021 | POWER SUPPLY CORD: SAA-LF (BC2100: AUS) | 1000012537 |
| | XE2368101 | MAIN PCB SUPPLY ASSY – 70-1 (XR7700) | 1000007690 | | XE3210001 | POWER SUPPLY CORD: BRZ (BRA) | 1000003957 |
| | XE1869101 | MAIN PCB SUPPLY ASSY – 70 (CS7000H) | 1000007690 | | XE2016001 | POWER SUPPLY CORD KOR (KOR) | 1000003436 |
| 2 | XC9830021 | FC JACK SUPPLY ASSY – 120 | | | XD0111151 | POWER SUPPLY CORD: IRAM (ARG) | 1000008314 |
| | XC9832021 | FC JACK SUPPLY ASSY - 230 | | MOTOR UNIT | | | |
| 3 | XC8809121 | SHUTTER COVER | 1000013404 | 16 | XE5843001 | TIMING BELT 2M-372-6 | 1000010865 |
| 4 | 085311015 | TAPTITE BIND B M3X10 | | 17 | XD1827021 | MAIN MOTOR SUPPLY ASSY | 050268 |
| 5 | XC8810020 | MAIN PCB PLATE SPRING (~B8G*****) | 1000007695 | 18 | XC3803020 | MOTOR FAN | |
| 6 | 087411416 | TAPTITE CUP B M4X14 | | 19 | XC8815021 | MOTOR HOLDER | |
| 7 | XC9831021 | POWER PCB SUPPLY ASSY - 120 | | 20 | 0A5300806 | SCREW PAN (S/P WASHER) M3X8 | |
| | XC9833021 | POWER PCB SUPPLY ASSY - 230 | | 21 | XC9689020 | WASHER3 | |
| 8 | XC8824021 | LEAD WIRE ASSY, POWER-LE | | 22 | XC3805021 | GIZA TITE 5X16 | |
| 9 | XC8825021 | INSULATION COVER | | 23 | XC8816021 | FOOT CONTROLLER: FC-322-81-LF | |
| 10 | XC8826021 | INSULATOR SHEET | | | XD0501021 | FOOT CONTROLLER: FC-322-LF-EU (Except: BC2300, RS250: Russia) | 1000010886 |
| 11 | XC8827020 | POWER PLATE SPRING | | 24 | XZ5053001 | WASHER EX TOOTH 5 | 1000004713 |
| 12 | XE3728001 | SPRING (~B8G*****) | 1000007695 | 25 | XE3728001 | SPRING (C8G*****) | 1000007695 |
| 13 | XC9264021 | INLET ASSY, LE100 (BC2500: TAIWAN, ES2400: TAIWAN) | 050165 | | | | |
| | XC8829021 | INLET ASSY, LE120 (CS4000/6000*/5000H/7000H/100t/770, BC1000, ES2000/2000t, ES2400: U.S.A., CE4000: U.S.A., CE5000*, EX-660, HS1000, XR7700, SM6500PRW) | | | | | |



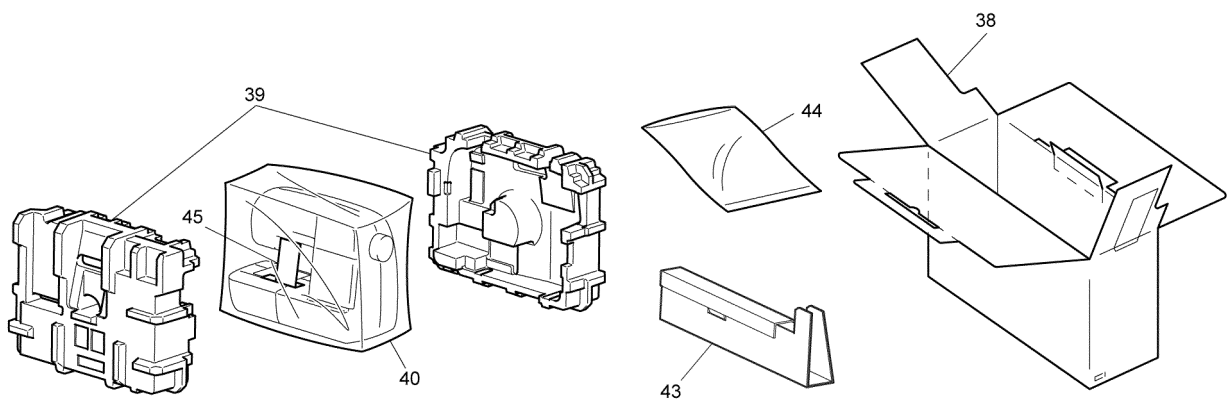
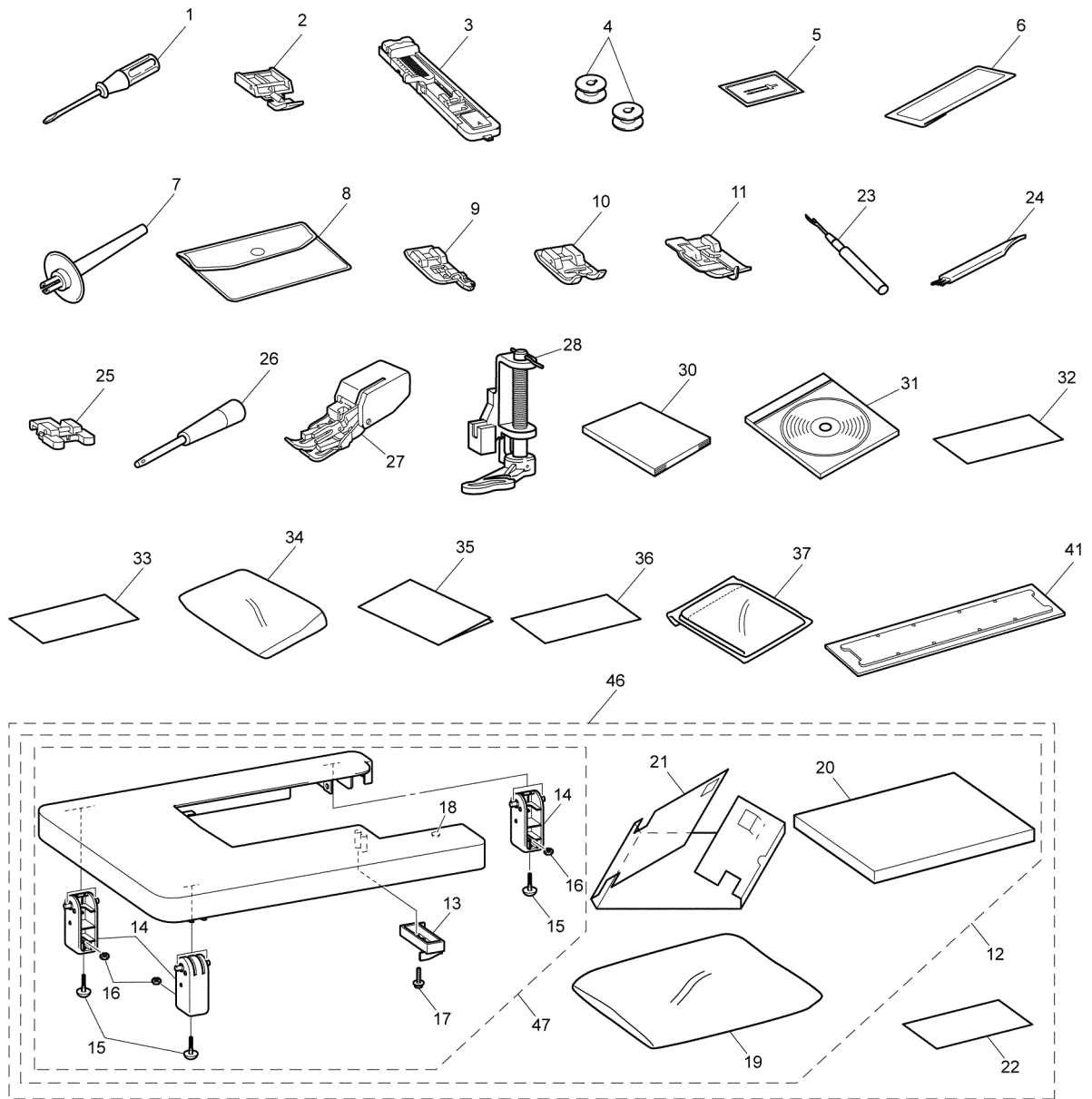
(6) ATTACHMENTS / PRINTED MATTER / PACKING MATERIALS

| No. | CODE | NAME | REMARKS | No. | CODE | NAME | REMARKS |
|--|-----------|---|------------|----------------|-----------|---|------------|
| ATTACHMENTS | | | | | | | |
| 1 | XC8349021 | SCREW DRIVER | 060020 | | 122324001 | ZIPPER FOOT (HS1000) | ADD |
| 2 | X59370021 | ZIPPER FOOT | | | XE0741001 | CORDING FOOT ASSY (HS1000) | 1000009219 |
| 3 | XC2691033 | BH PRESSER FOOT ASSY | 050040 | | XE0754001 | NARROW HEMMER (CS6000b, XR7700, SM6500PRW) | 1000002058 |
| 4 | X52800120 | BOBBIN | | PRINTED MATTER | | | |
| 5 | 131096121 | NEEDLE SET (1 PCE) | | 30 | XC8835721 | INSTRUCTION BOOK ENG | 1000008097 |
| 6 | XC8834021 | NEEDLE SET | | | XC8893021 | INSTRUCTION BOOK SPA | |
| 7 | 130920021 | EXTRA SPOOL PIN | | | XC8972021 | INSTRUCTION BOOK GER | |
| 8 | XC4487021 | ACCESSORY BAG | | | XC8464021 | INSTRUCTION BOOK SWE | |
| 9 | XC3098031 | OVERCASTING STITCH FOOT ASSY | | | XC8435021 | INSTRUCTION BOOK ITA | |
| 10 | XD0810031 | TRANSPARENCY PRESSER FOOT | 050107 | | XC8436021 | INSTRUCTION BOOK DEN | |
| 11 | XC4051031 | BLIND STITCH FOOT ASSY | | | XC9943121 | INSTRUCTION BOOK RUS | 050192 |
| (CS6000t/6000i/100t, EX-660, ES2000t, XR7700, SM6500PRW) | | | | | XC9656021 | INSTRUCTION BOOK FIN | |
| 12 | XC9356021 | LE WIDE TABLE ASSY | | | XC8433021 | INSTRUCTION BOOK (FRA, CAN) | ADD |
| 13 | XC9360021 | FIXING PLATE A | | | XC8434021 | INSTRUCTION BOOK (DUT) | |
| 14 | XC4495021 | TABLE FOOT | | | XE1667001 | INSTRUCTION BOOK NOR | 060231 |
| 15 | XD1223021 | ADJUSTING FOOT | 050196 | | XE3280001 | INSTRUCTION BOOK KOR | 1000003436 |
| 16 | 021400206 | NUT 2 M4 | | | XE3367001 | INSTRUCTION BOOK (TWN, HKG) | 1000014599 |
| 17 | 087411416 | TAPTITE CUP B M4X14 | | | XD1482021 | INSTRUCTION BOOK CHN | 1000007021 |
| 18 | X59853020 | RUBBER CUSHION | | | XE4538001 | INSTRUCTION BOOK BR (CS6000i: BRA) | 1000007560 |
| 19 | X61231021 | BAG 400X500H | | | XE4539001 | INSTRUCTION BOOK BR (CE4000: BRA) | 1000007560 |
| 20 | XC9361020 | LE WIDE TABLE CARTON | | | XE4433101 | MYLAR INSTRUCTION ASSY ENG (CE5000PRW, SM6500PRW, ES2000, CS770) | 1000008097 |
| 21 | XC9362020 | PAD | | | XE4434001 | MYLAR INSTRUCTION ASSY SPA (CE5000PRW, SM6500PRW, ES2000, CS770) | 1000006069 |
| 22 | XC9802021 | INSTRUCTION MANUAL | | | XE3857001 | NOT RETURN STICKER ENG (SM6500PRW) | 1000006069 |
| 23 | X54243051 | SEAM RIPPER | | | XE4889001 | NOT RETURN STICKER SPA (CE5000*, SM6500PRW) | 1000006069 |
| 24 | X59476021 | CLEANING BRUSH | | | XE4890001 | NOT RETURN STICKER ENG (CE5000*, ES2000, CS770) | |
| 25 | XE2137001 | BUTTON SEWING FOOT | 1000001059 | 31 | XD1866021 | INSTRUCTION DVD PAL (U.K., IRE, HKG, SWI) | 1000003658 |
| 26 | XZ5051001 | PUNCH (CS6000/6000t/6000i/100t, BC2500/1000, RS260, ES24**, EX-660, comfort 60E, XR7700, SM6500PRW) | | | XE0980201 | INSTRUCTION DVD NTSC ASSY (EX-660, XR7700) | 1000007442 |
| 27 | XE1678201 | WALKING FOOT ASSY H 7MM (CS6000t/6000i/6000b/100t, EX-660, XR7700, SM6500PRW) | 1000000446 | | XE5495001 | INSTRUCTION DVD ASSY RUS (RUS) | 1000009910 |
| 28 | XD1819021 | QUILTING FOOT (CS6000t/6000i/6000b/7000H/100t, EX-660, XR7700, SM6500PRW) | 050309 | | XD0938021 | INSTRUCTION DVD NTSC (CS6000b) | ADD |
| | X59819021 | QUILTER (CS6000t/6000i/6000b/7000H/100t, EX-660, XR7700, SM6500PRW) | 050152 | | XE4734001 | INSTRUCTION DVD ASSY (XR6600) | 1000007588 |
| | XE2383001 | POUCH ASSY (XR7700/6600) | 1000003914 | 32 | XC0380021 | WARRANTY CARD (U.S.A.) | |
| | XA3805021 | 1/4'QUILTING FOOT (CS6000b/7000H, XR7700, SM6500PRW) | ADD | | LA1661001 | WARRANTY CARD EURO CH | 1000010793 |
| | | | | | XC6402021 | WARRANTY CARD UK | |
| | | | | | XE5609101 | WARRANTY CARD 5YEARS ITA (ITA) | 1000013378 |
| | | | | | XE3332001 | MASS WARRANTY CARD (BC2500: HKG) | 1000003830 |
| | | | | | XD1328221 | WARRANTY CARD CHINA (CHN) | 1000012599 |
| | | | | | XE4548001 | WARRANTY CARD BR HSM (BRA) | 1000007560 |



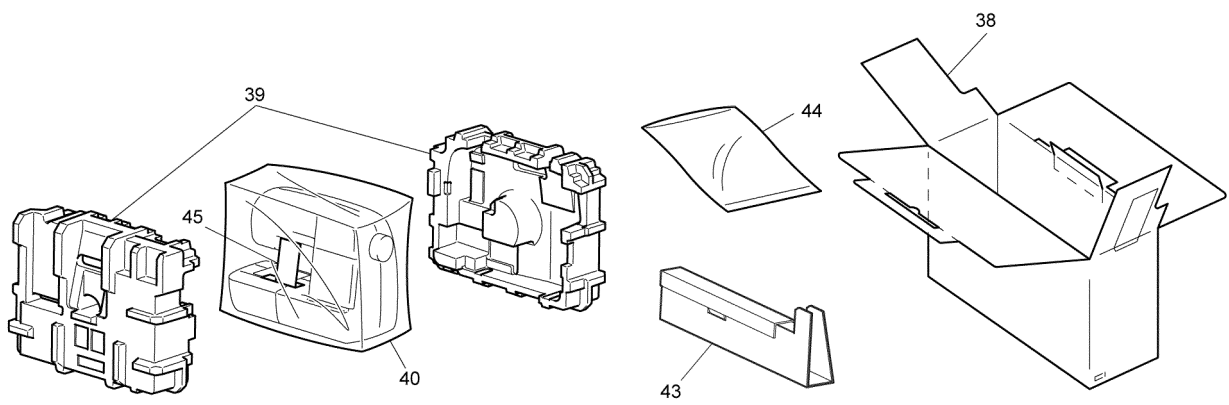
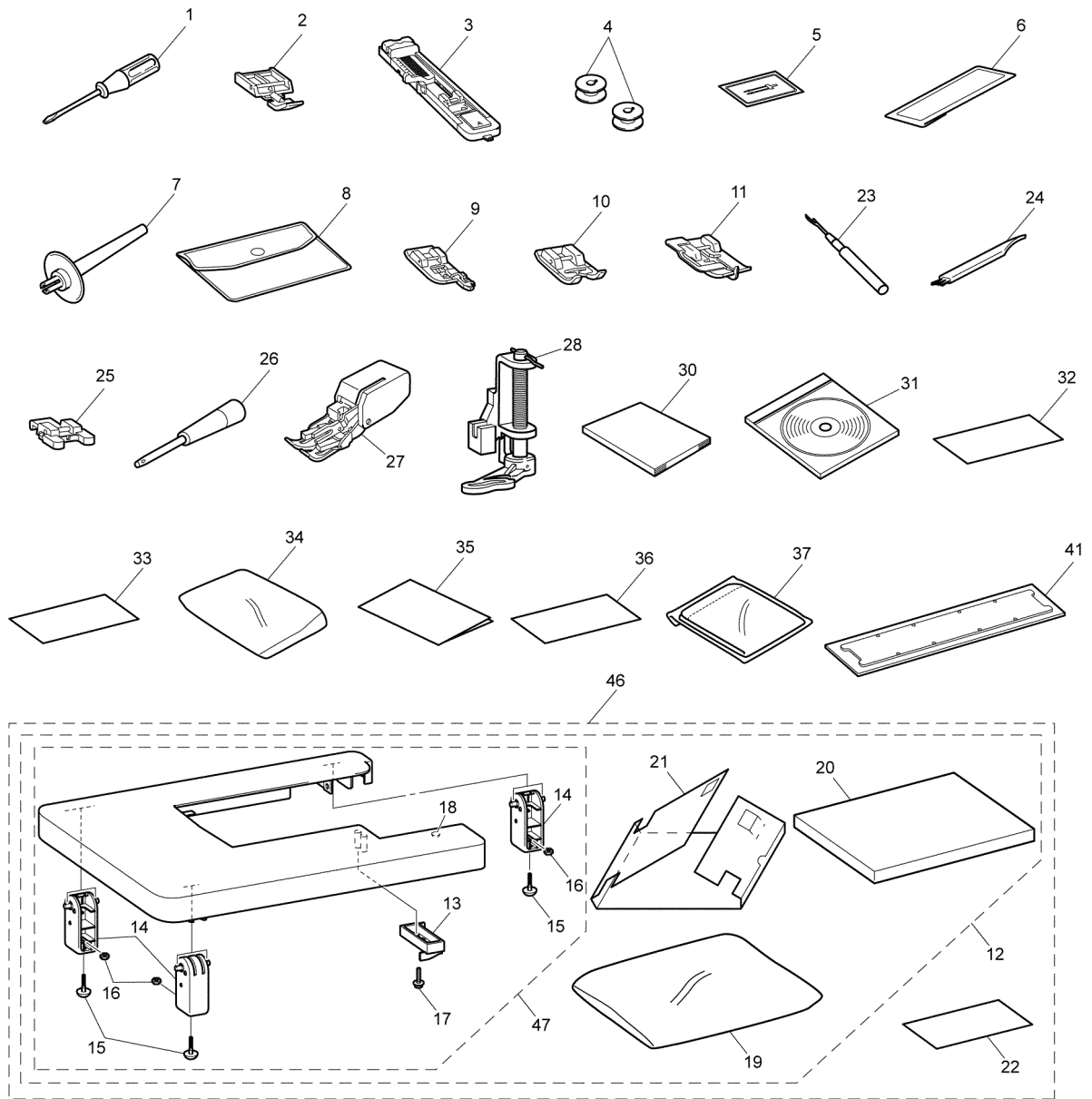
(6) ATTACHMENTS / PRINTED MATTER / PACKING MATERIALS

| No. | CODE | NAME | REMARKS | No. | CODE | NAME | REMARKS |
|-----|-----------|--|-----------------------------|-----|-------------------|--|------------------------------------|
| 33 | XE2010001 | WARRANTY CARD BROTHER CANADA (CAN) | 100001038 | | XD0120021 | CAUTION SHEET S33 (CE4000/5000*, BC2100: AUS, CS6000i) | |
| | XE5572001 | WARRANTY CARD BROTHER RUS (RUS) | 1000010023 | | XE2895001 | OPTIONAL 5YEAR WARRANTY CARD (U.K.) | 1000004069 |
| | XE5652001 | WARRANTY CARD BROTHER ARG (ARG, PAR) | 1000011223 | | XE6308001 | INNOV-IS RANGE PROMOTION DVD | 1000013646 |
| 34 | 130800021 | BAG, 230X310H | 1000011228 | | XE3642001 | INSERTION BC2500 KOREA (BC2500: KOR) | 1000005263 |
| 35 | XC8837121 | QUICK REFERENCE GUIDE (CS4000/5000H/770, BC2100*/2300, RS240/250, ES2000: U.S.A./CHL/FRA, ES2020/2220/2000t, comfort 40E, CE4000/5000*, JS50E) | 1000011321 | | XE3643001 | INSERTION BC2500 TAIWAN (BC2500: TWN) | 1000005263 |
| | XE3725101 | QUICK REFERENCE GUIDE (CS6000*/100t/7000H, BC2100/2500, BC1000, RS260, ES2400: U.S.A./CHN, comfort 60E, EX-660, XR7700, SM6500, HS1000) | 1000011321 | | XE4888001 | NOT RETURN INSERTION SHEET (CE5000PRW, SM6500PRW, ES2000, CS770) | 1000007964 |
| | XE3645001 | QUICK REFERENCE GUIDE BC2500 (BC2500: HKG) | 1000005705 | | XE5611001 | REGISTRATION CARD ITA (ITA) | 1000010089 |
| | XC9344121 | QUICK REFERENCE GUIDE (XR6600, ES2000: EU, ES2010/2020, ES2200/2410/2400) | 1000011321 | | PACKING MATERIALS | | |
| | 36 | XC7488021 | ACCINFO SHEET (U.S.A., CAN) | | 38 | XC8838021 | COLOR CARTON (CS4000: U.S.A., CAN) |
| 37 | XC8973021 | DUST COVER ASSY (CS6000/6000t, BC2500/1000, RS260, ES2400: U.S.A., comfort 60E, HS1000) | | | XC8838041 | COLOR CARTON (ES2000: U.S.A.) | 1000007197 |
| | XA2112022 | DUST COVER ASSY (BC2100/2300, RS240/250, comfort 40E, ES2400: OTHER, ES2410/2420, JS50E) | | | XC8838026 | COLOR CARTON (ES2010) | |
| | XD0360021 | NEEDLE SET G | 050273 | | XC8838027 | COLOR CARTON (ES2210) | |
| | XD1889021 | INSERTION SHEET FOR NEEDLE | 050308 | | XC8838023 | COLOR CARTON (CS6000) | |
| | XE1158101 | BOOKLET | 060168 | | XC9810021 | COLOR CARTON (CS6000t) | |
| | XC9960021 | SEWING MACHINE CASE ASSY (CS6000b) | ADD | | XC9810022 | COLOR CARTON (ES2000t) | ADD |
| | XC2067121 | USER'S MANUAL (CS6000b/7000H, XR7700, SM6500PRW) | ADD | | XD0282025 | COLOR CARTON (CS6000i: OTHER) | ADD |
| | XE2385001 | PHOTO CARD (XR7700, XR6600) | ADD | | XC8838028 | COLOR CARTON (BC2500: SIN, HKG, TWN) | 1000003436 |
| | XE2356001 | INSERTION SHEET (XR7700) | 1000006894 | | XC8838029 | COLOR CARTON (BC2500: AUS) | |
| | XE4731001 | INSERTION SHEET (XR6600) | 1000007588 | | XC8838036 | COLOR CARTON (BC2500: SWI) | 1000003658 |
| | XE4987001 | INSERTION SHEET (CE4000/5000*, BC2100: AUS, CS6000i) | | | XC8838024 | COLOR CARTON (ES2400: U.S.A.) | |
| | XE2379001 | PANEL SEAT ASSY (XR7700, XR6600) | ADD | | XC8838025 | COLOR CARTON (ES2410) | |
| | XE2381001 | TEMPLATE ASSY (XR7700, XR6600) | ADD | | XC8975022 | CARTON (BC2100: OTHER) | |
| | XE6623001 | INSERTION (CAN) | 1000014468 | | XE6357001 | COLOR CARTON (BC2100: SIN, UAE, AUS) | 1000013920 |
| | | | | | XC8975038 | CARTON (BC2300) | 1000004239 |
| | | | | | XC8975042 | CARTON (RS240) | 1000004239 |
| | | | | | XC8975021 | CARTON (ES2000: OTHER) | |
| | | | | | XC8975027 | CARTON (ES2200: OTHER) | |
| | | | | | XC8975040 | CARTON (ES2200: RUS) | 1000004239 |
| | | | | | XC8975028 | CARTON (ES2020: OTHER) | |
| | | | | | XC8975039 | CARTON (ES2020: RUS) | 1000004239 |
| | | | | | XC8975029 | CARTON (ES2220) | |
| | | | | | XC8975023 | CARTON (BC2500: OTHER) | |
| | | | | | XC8975044 | CARTON (RS260) | 1000004239 |
| | | | | | XC8975024 | CARTON (ES2400: OTHER) | |
| | | | | | XC8975041 | CARTON (ES2420) | 1000004239 |
| | | | | | XC8975043 | CARTON (comfort 40E) | 1000004239 |
| | | | | | XC8975045 | CARTON (comfort 60E) | 1000004239 |



(6) ATTACHMENTS / PRINTED MATTER / PACKING MATERIALS

| No. | CODE | NAME | REMARKS | No. | CODE | NAME | REMARKS |
|-----------|----------------------|---|------------|-----------|-----------------------------|---|---------|
| 38 | XC8975037 | CARTON (HS1000) | ADD | 47 | XC9357121 | WIDE TABLE SUB ASSY | |
| | XD0282021 | COLOR CARTON (CS100t) | | | | (CS6000t/6000i/100t, EX-660, ES2000t, XR7700, SM6500PRW) | |
| | XD0282023 | COLOR CARTON (EX-660) | | XD0562020 | PRESSER LEVER FIXING SF | | |
| | XC8838043 | COLOR CARTON (CE4000: OTHER) | 1000010437 | | | (CS6000i/5000H/7000H/100t, BC2100WT, EX-660, XR7700/6600) | |
| | XC8838035 | COLOR CARTON (BC1000) | ADD | XZ5059001 | SPACER POLYSTYRENE FOAM PAD | 1000007089 | |
| | XC8975036 | CARTON (RS250) | ADD | | | (CS6000i, EX660, XR7700, BC2100WT) | |
| | XD0939021 | COLOR CARTON (CS6000b) | ADD | XD0242021 | DVD STICKER (XR6600) | 1000007588 | |
| | XE6635001 | COLOR CARTON (CS5000H) | 1000014017 | | | | |
| | XE2053001 | COLOR CARTON (CS7000H) | 1000004860 | | | | |
| | XD0282026 | COLOR CARTON (XR7700: U.S.A.) | 1000004860 | | | | |
| | XD0282029 | COLOR CARTON (XR7700: CAN) | 1000006894 | | | | |
| | XE8838044 | COLOR CARTON (CE5000PRW) | 1000011128 | | | | |
| | XC8838045 | COLOR CARTON (CE5000) | 1000011867 | | | | |
| | XC8838039 | COLOR CARTON (JS50E) | 1000006807 | | | | |
| | XC9810023 | COLOR CARTON (SM6500PRW) | 1000006064 | | | | |
| | XC8838038 | COLOR CARTON (CE4000: ARG, BRA, PRY) | 1000006416 | | | | |
| | XD0282028 | COLOR CARTON (CS6000i: ARG, BRA, PRY) | 1000006416 | | | | |
| | XC8838040 | COLOR CARTON (ES2400: CHN) | 1000007021 | | | | |
| | XE4582001 | COLOR CARTON (BC2100WT) | 1000007252 | | | | |
| | XE4646001 | CARTION (XR6600) | 1000007588 | | | | |
| XC8838042 | COLOR CARTON (CS770) | 1000008135 | | | | | |
| 39 | XC8840121 | S33SF ASSY | 1000004838 | | | | |
| | XD0561021 | S33SF ASSY (CS6000i/5000H/7000H/100t, EX-660, XR7700, BC2100WT) | | | | | |
| 40 | X60439121 | BAG 630X630T | 1000013217 | | | | |
| 41 | LA6041001 | SECURITY TAG | 1000013831 | | | | |
| 42 | X57847021 | PLUG LABEL (U.K.) | | | | | |
| 43 | XC9354020 | PAD D | | | | | |
| | | (CS6000t/6000b/100t, ES2000t, SM6500PRW) | | | | | |
| 44 | X57367021 | BAG, 135X150 | | | | | |
| | | (CS6000t/6000b/6000i/7000H/100t, EX-660, SM6500PRW, XR7700/6600) | | | | | |
| 45 | XE5049001 | NEEDLE GUARD D | 1000012383 | | | | |
| | | (CS5000H: CAN, BC2100WT/XR6600: GBR, CS6000i: USA/ARG/BRA XR7700: USA/CAN, BC2100: AUS) | | | | | |
| 46 | XC9809021 | LE WIDE TABLE ASSY US | | | | | |
| | | (CS6000t/6000i/100t, EX-660, ES2000t, XR7700, SM6500PRW) | | | | | |



brother®

CS4000/CS6000/CS6000t/CS6000i/CS6000b/CS5000H/CS7000H
BC2100/BC2300/BC2500/BC1000
RS240/RS250/RS260
ES2000/ES2010/ES2020/ES2000t/ES2200/ES2210/ES2220/ES2400/ES2410/ES2420
CE4000/CE5000/CE5000PRW/HS1000/CS100t
comfort 40E/comfort 60E/EX-660/XR7700/JS50E/SM6500PRW/BC2100WT/XR6600/CS770
23M04HF885S33/34/36/37

09. 2005.
09. 2009.