



Home Sewing Machine

PARTS REFERENCE LIST

**MODEL: XL2600/XL2610/XL2620/XL2650H
XL3500/XL3500T/XL3510/XL3520
BM2600/BM3500/XL3510T
L25/L35/L15/XL2620SE/comfort25
XL2630**

MECHANISMS & ELECTRONICS

CONTENTS

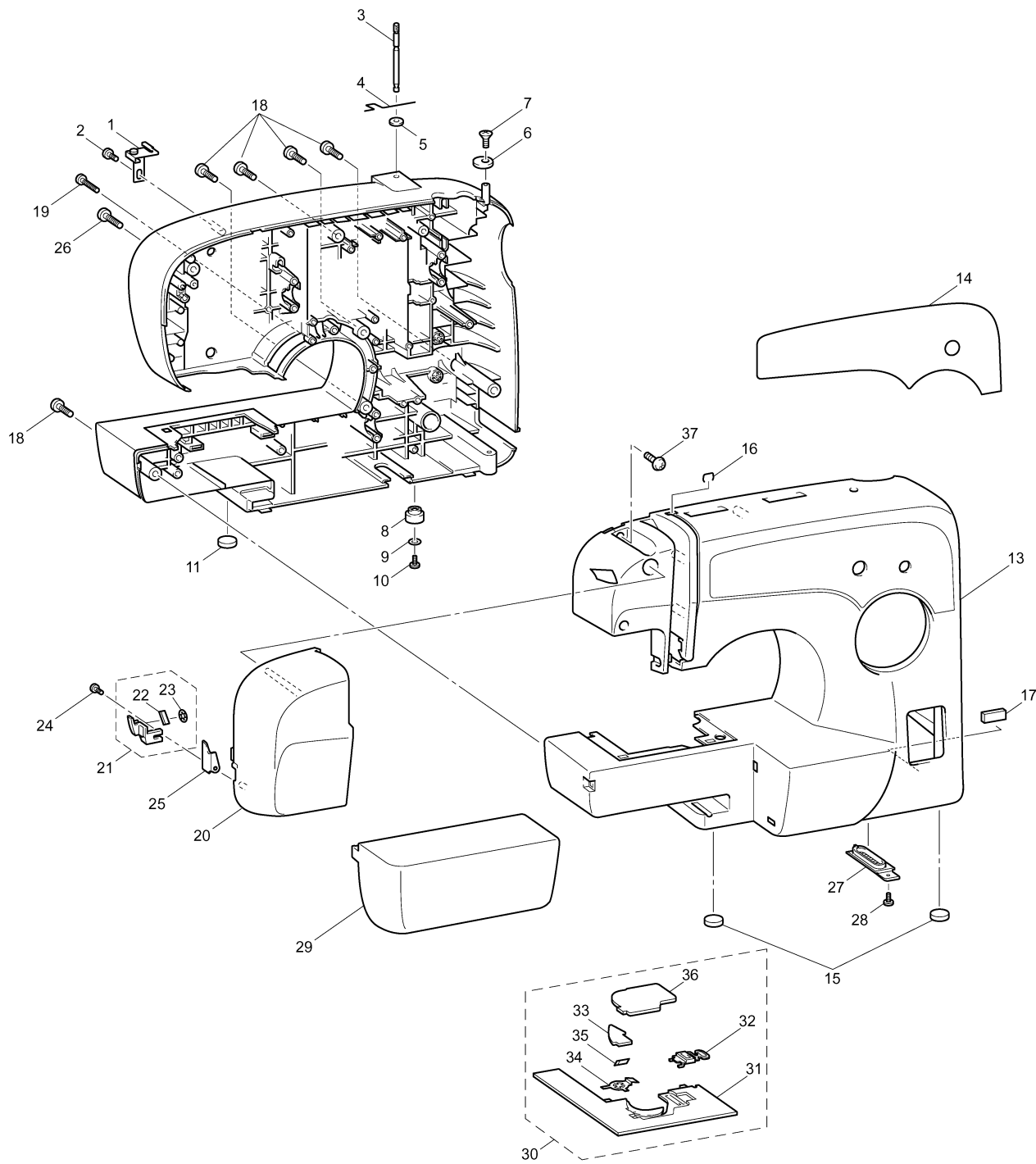
(1) PRINCIPAL PARTS.....	2
(2) UPPER SHAFT / NEEDLE BAR, PRESSER MECHANISM.....	4
(3) FEED / FEED ADJUSTMENT MECHANISM	6
(4) ZIGZAG / PATTERN SELECTION MECHANISM	8
(5) BOBBIN WINDER / THREAD GUIDE MECHANISM	10
(6) LAMP MECHANISM / MOTOR UNIT	12
(7) ATTACHMENTS / PRINTED MATTER / PACKING MATERIALS	14

Note on parts:

We keep performance parts for this sewing machine for at least 8 years after this model is discontinued. Performance parts are the necessary parts to maintain the function of the sewing machine.

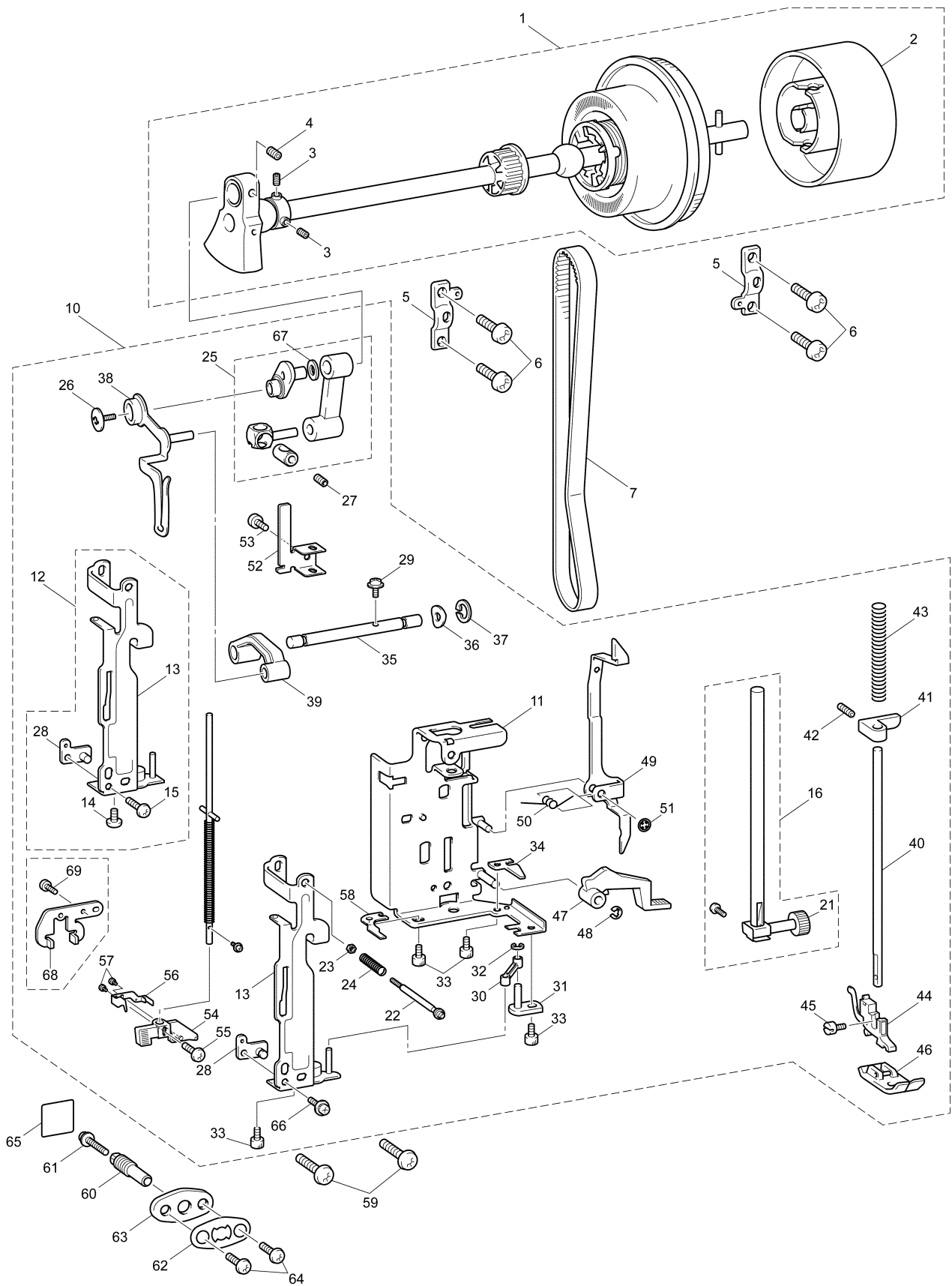
(1) PRINCIPAL PARTS

No.	CODE	NAME	REMARKS	No.	CODE	NAME	REMARKS
1	XC4846021	THREAD GUIDE ASSY			XC8979028	STITCH PATTERN SHEET (XL3510)	
2	085411416	TAPTITE BIND B M4 X 14	1000003780		XC8979029	STITCH PATTERN SHEET (XL3520)	
3	188058121	SPOOL PIN			XC8979032	STITCH PATTERN SHEET (L35)	
4	XA0628121	SPOOL PIN SPRING	1000012088		XC8979040	STITCH PATTERN SHEET (L15)	1000006061
5	XA8851021	SPOOL PIN STAND	050073		XC8979041	STITCH PATTERN SHEET (XL2620SE)	1000007330
6	XC4481121	BOBBIN PRESSER			XC8979035	STITCH PATTERN SHEET (comfort25)	
7	XZ5031001	TAPTITE PAN P (S/P W) 3 x 12	060058		XC8979042	STITCH PATTERN SHEET (XL2630)	1000008822
8	138337022	RUBBER CUSHION A	050098	15	XC4077021	BASE PLATE RUBBER	
9	026350235	WASHER, PLAIN M 3.5		16	X53625121	UPPER COVER THREAD GUIDE	
10	083361216	TAPTITE, PAN B M3.5 x 12		17	XA7769021	CUSHION	
11	XC4077021	BASE PLATE RUBBER		18	XZ5049001	GIZA TITE (S/P W) 5X18	1000003021
12	XC5264021	RING	1000001559	19	XC6304021	GIZA TITE (S/P W) 3 x 25	
13	XC8977021	FRONT COVER ASSY (XL2600:U.S.A., CAN, TWN)	1000004242	20	XC4854121	FACE PLATE	1000012289
	XC8977027	FRONT COVER ASSY (BM2600)		21	XC4855021	CUTTER COVER ASSY	
	XC8977033	FRONT COVER ASSY (XL2600:OTHER)		22	X80321021	NT LOWER THREAD CUTTER	
	XC8977025	FRONT COVER ASSY (XL2610)		23	138384021	RETAINING RING,CS5	
	XC8977026	FRONT COVER ASSY (XL2620)		24	XZ5031001	TAPTITE PAN P (S/P W) 3 X 12	060058
	XC8977031	FRONT COVER ASSY (L25)		25	XC6057020	GUARD PLATE	
	XC8977023	FRONT COVER ASSY (XL3500:U.S.A., XL3500T)		26	XA3337022	TAPTITE,CUP P M4 x 20	
	XC8977030	FRONT COVER ASSY (BM3500)		27	XC4857021	BASE COVER	
	XC8977034	FRONT COVER ASSY (XL3500:OTHER)		28	084310815	TAPTITE, FLAT B M3 x 8	
	XC8977028	FRONT COVER ASSY (XL3510)		29	XC4858021	ACCESSORY TABLE	
	XC8977029	FRONT COVER ASSY (XL3520)		30	XC8981121	NEEDLE PLATE B ASSY (XL26**, XL35**, L15)	1000006517
	XC8977032	FRONT COVER ASSY (L35)			XC9849221	NEEDLE PLATE B ASSY (BM2600, BM3500, L25, L35, comfort25)	1000006517
	XC8977039	FRONT COVER ASSY (XL2650H)	ADD	31	XC4860121	NEEDLE PLATE B (XL26**, XL35**, L15)	1000006517
	XC8977037	FRONT COVER ASSY (XL3510T)	ADD		XC3521221	NEEDLE PLATE B (BM2600, BM3500, L25, L35, comfort25)	1000006517
	XC8977040	FRONT COVER ASSY (L15)	1000006061	32	XC7371021	SLIDE BUTTON	
	XC8977041	FRONT COVER ASSY (XL2620SE)	1000007330	33	XC2367021	CUTTER COVER (BM2600, BM3500, L25, L35, comfort25)	
	XC8977035	FRONT COVER ASSY (comfort25)		34	XC2368021	SPRING PLATE	
	XC8977042	FRONT COVER ASSY (XL2630)	1000008822	35	X80321021	NT LOWER THREAD CUTTER (BM2600, BM3500, L25, L35, comfort25)	
14	XC8979021	STITCH PATTERN SHEET (XL2600:U.S.A., CAN, TWN)	1000004242	36	XD1648021	NEEDLE PLATE COVER SUPPLY ASSY	050259
	XC8979027	STITCH PATTERN SHEET (BM2600)		37	085411416	TAPTITE BIND B M4X14	
	XC8979033	STITCH PATTERN SHEET (XL2600:OTHER)					
	XC8979025	STITCH PATTERN SHEET (XL2610)			XD0269021	HARD CASE ASSY (XL2650H)	ADD
	XC8979026	STITCH PATTERN SHEET (XL2620)			125440020	CASE FELT (XL2650H)	ADD
	XC8979031	STITCH PATTERN SHEET (L25)			XD0271021	MODEL MARK (XL2650H)	ADD
	XC8979023	STITCH PATTERN SHEET (XL3500:U.S.A., XL3500T)			XD0281020	UNDER CASE POLYSTYRENE (XL2650H)	ADD
	XC8979030	STITCH PATTERN SHEET (BM3500)			X60439121	BAG,630X630T(XL2650H)	ADD
	XC8979034	STITCH PATTERN SHEET					



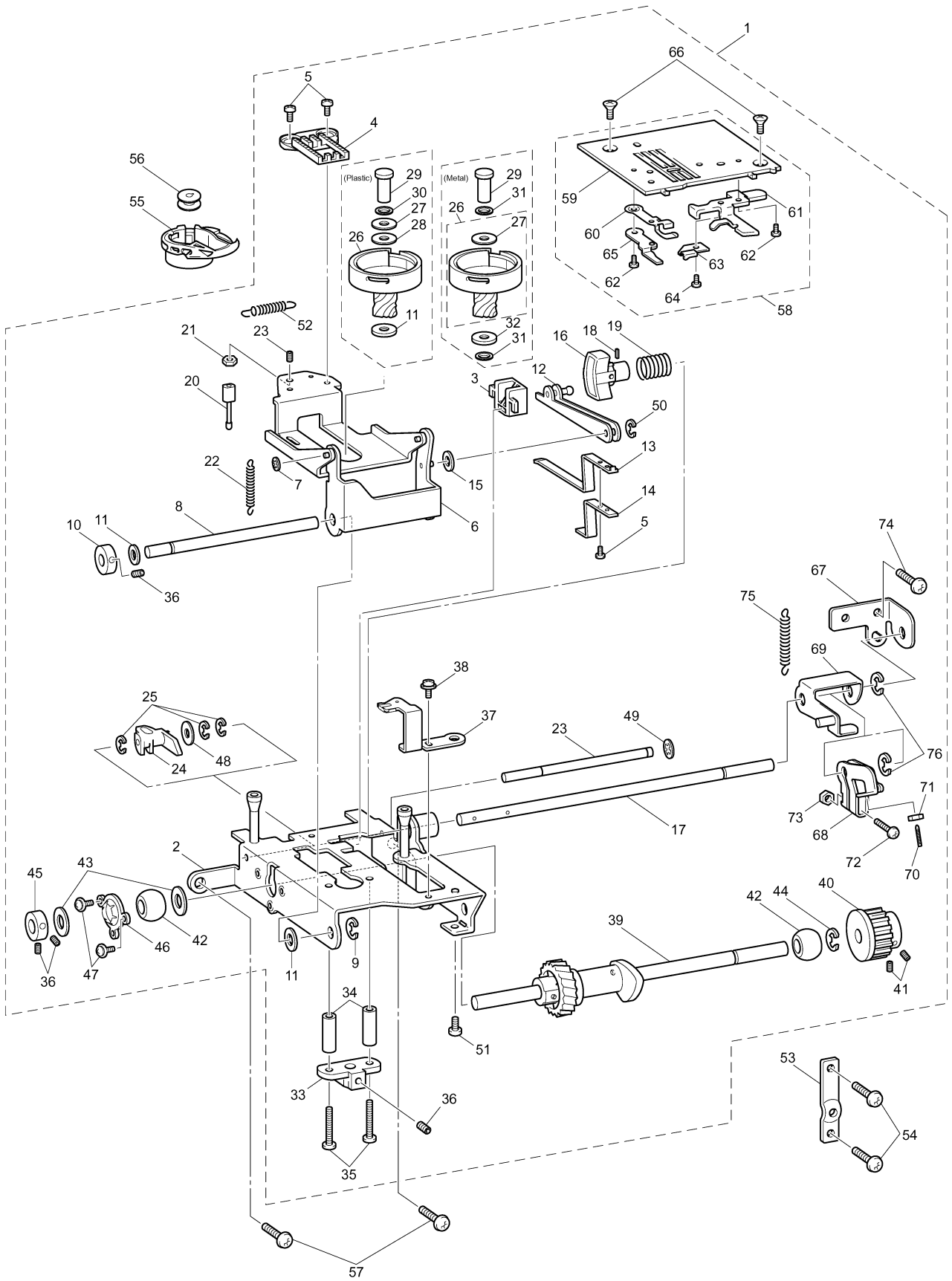
(2) UPPER SHAFT / NEEDLE BAR, PRESSER MECHANISM

No.	CODE	NAME	REMARKS	No.	CODE	NAME	REMARKS
UPPER SHAFT MECHANISM				40	XC6565121	PRESSER BAR (U.S.A., CAN, TWN, BM****, L25, L35, XL2620SE, comfort25)	1000004242
1	XE3701001	UPPER SHAFT SUPPLY ASSY	1000006160		XC4898021	PRESSER BAR (OTHER)	
2	XC3529021	PULLEY		41	XC4899121	PRESSER BAR CLAMP	050261
3	014400432	SET SCREW, SOCKET (CP) M4 x 4		42	XC7207021	SCREW STUD M5	050037
4	012500532	SET SCREW, SOCKET (FT) M5 x 5		43	XC4900021	SPRING	
5	XC4868020	UPPER SHAFT BEARING PRESSER		44	XC3015031	PRESSER FEED HOLDER ASSY	1000003188
6	XC3496021	GIZA TITE 5 x 16		45	132730122	TIGHTENING SCREW 3.57	
7	XC4869021	T BELT 420-5GT-6		46	XC4901021	ZIGZAG PRESSER FOOT	060010
8	XC8984021	TENSION PULLEY ASSY	1000003729	47	XC4902021	PRESSER FOOT LIFTER	
9	0A4400806	SCREW, PAN (S/P WASHER) M4 x 8	1000003729	48	048040346	RETAINING RING, E4	1000001452
NEEDLE BAR, PRESSER MECHANISM				49	XC4903020	THREAD RELEASE LEVER	
10	XE1295101	NEEDLE-PRESSER MODULE (U.S.A., CAN, TWN, BM****, L25, L35, XL2620SE, comfort25)	1000004242	50	XC4904121	SPRING	
	XE1746001	NEEDLE-PRESSER MODULE (OTHER)	060189	51	146200021	RETAINING RING, CS4	
11	XC4875221	BASE HOLDER ASSY	050255	52	XC6564020	THREAD POSITIONING PLATE (U.S.A., CAN, TWN, BM****, L25, L35, XL2620SE, comfort25)	1000004242
12	XC6559021	NEEDLE HOLDER ASSY (U.S.A., CAN, TWN, BM****, L25, L35, XL2620SE, comfort25)	1000004242	53	060260406	SCREW, BIND M2.6 x 4 (U.S.A., CAN, TWN, BM****, L25, L35, XL2620SE, comfort25)	
13	XC4880121	NEEDLE HOLDER SUB ASSY	060048	54	XC6566121	NEEDLE THREADING LEVER (U.S.A., CAN, TWN, BM****, L25, L35, XL2620SE, comfort25)	1000004242
14	018300636	BOLT, SOCKET M3 x 6		55	0A5260606	SCREW, PAN(S/P WASHER)M2.6 x 6 (U.S.A., CAN, TWN, BM****, L25, L35, XL2620SE, comfort25)	
15	XC7564021	SCREW, PAN (S/P WASHER) M3 x 6	1000008646	56	XA0445251	THREADER HOOK ASSEMBLY (U.S.A., CAN, TWN, BM****, L25, L35, XL2620SE, comfort25)	1000004242
16	XD1219131	NEEDLE BAR ASSY N	CHG	57	037200516	TAPPING SCREW, PAN V M2 x 5 (U.S.A., CAN, TWN, BM****, L25, L35, XL2620SE, comfort25)	1000004242
17	XC2424021	NEEDLE BAR THREAD GUIDE	DEL	58	XC7525121	NEEDLE HOLDER STOPPER	
18	X53053052	SCREW SM2.38	DEL	59	XC4961021	GIZA TITE 5 x 20	
19	XC2426020	NEEDLE THREAD PLATE	DEL	60	XC4905121	ADJUSTING SCREW	060047
20	XC2427054	NEEDLE BLOCK	DEL	61	060302506	SCREW BIND M3X25	050143
21	XC8563031	NEEDLE CLAMP SCREW	1000002936	62	XC6056120	PLATE SPRING	060029
22	XC4884021	NEEDLE HOLDER SHAFT		63	XC4906020	ADJUSTING PLATE	
23	X56851021	LOCK NUT		64	085411416	TAPTITE, BIND B M4 x 14	
24	XC4885021	SPRING		65	XC4907021	LABEL	
25	XC6562131	NEEDLE BAR CRANK ROD ASSY	1000004242	66	XC7564021	SCREW, PAN (S/P WASHER) M3 x 6	050080
26	132051022	SCREW, FLAT SM3.57-40 x 7 L		67	X53330020	WASHER	1000000655
27	012400432	SET SCREW, SOCKET (FT) M4 x 4		68	XC5065020	LAMP HOLDER 120V (U.S.A., CAN, TWN)	1000007202
28	XC4888021	ZIGZAG ADJUST PLATE ASSY		69	060400616	SCREW, BIND M4 x 6 (U.S.A., CAN, TWN)	1000007202
29	XC3338021	SCREW 3 X 8	1000008481				
30	XC4963020	NEEDLE BAR SUPPORTER ARM					
31	XC4891021	NEEDLE SHAFT HOLDER ASSY					
32	048020346	RETAINING RING, E2	1000001452				
33	018300636	BOLT, SOCKET M3 x 6					
34	XC4894021	STOPPER					
35	XC4895021	SHAFT					
36	XZ5030001	WASHER, SPRING	060059				
37	048050346	RETAINING RING, E5	1000001452				
38	XC8564031	THREAD TAKE-UP LEVER					
39	XC4897020	THREAD TAKE-UP LEVER LINK					



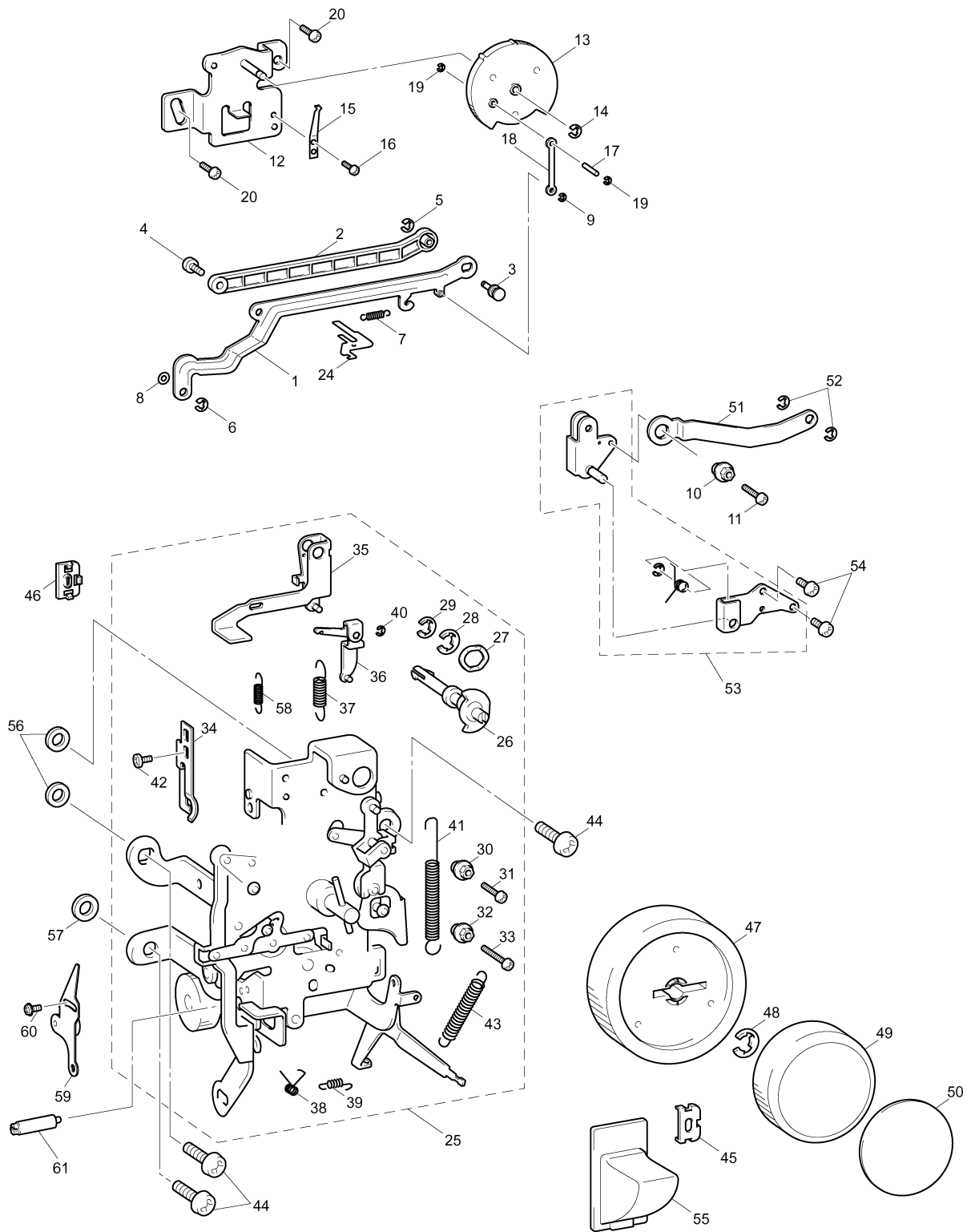
(3) FEED / FEED ADJUSTMENT MECHANISM

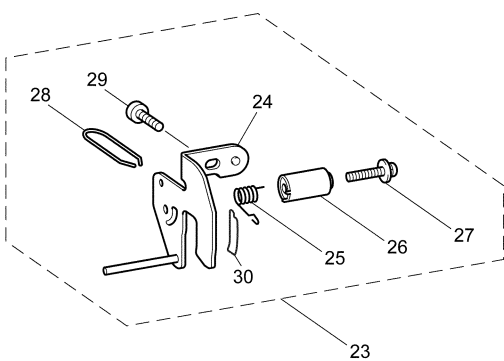
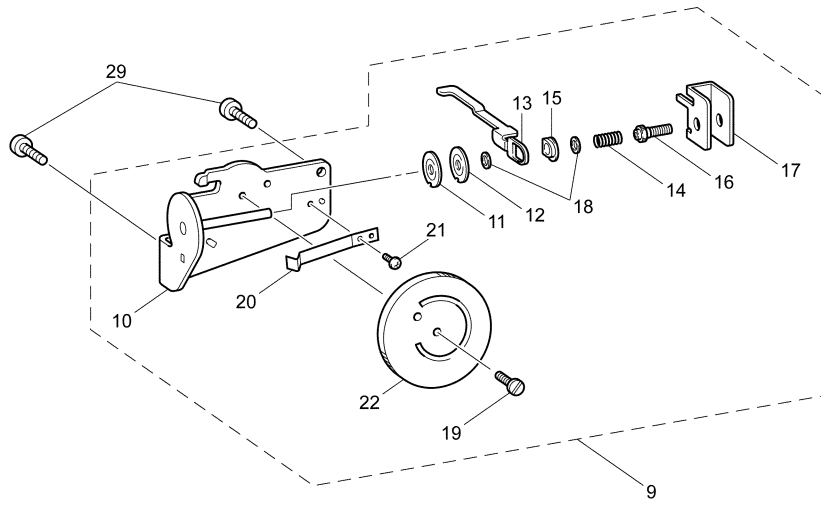
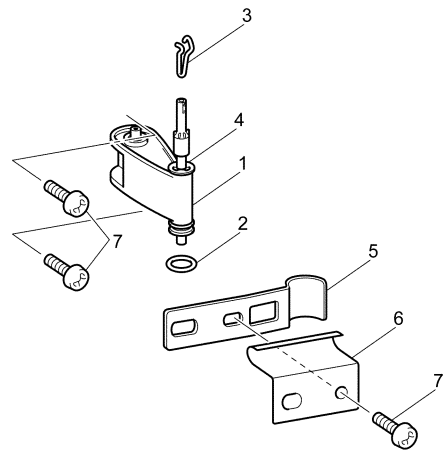
No.	CODE	NAME	REMARKS	No.	CODE	NAME	REMARKS
FEED MECHANISM							
1	XE0093001	FEED MODULE (Plastic Model)		35	XC6551021	SCREW, PAN (S/P WASHER) M4 x 22	
	XE0094001	FEED MODULE (Metal Model)		36	014400432	SET SCREW, SOCKET (CP) M4 x 4	
2	XC4909121	BASE PLATE ASSY	1000006200	37	XE3649001	INNER ROTARY HOOK BRACKET ASSY	1000004976
3	XC4914021	FEED ARM SUPPORTER		38	XC7564021	SCREW, PAN (S/P WASHER) M3 x 6	
4	XC4915221	FEED DOG	1000006200	39	XC4941021	LOWER SHAFT ASSY	
5	060300816	SCREW, BIND M3 x 8		40	XC4943021	TIMING PULLEY D	
6	XZ5022101	FEED BAR ASSY	1000006200	41	014500532	SET SCREW, SOCKET (CP) M5 x 5	
7	120454021	RETAINING RING,CS3		42	X52664020	LOWER SHAFT BUSHING	
8	XC4923020	HORIZOTAL FEED SHAFT		43	X51383020	WASHER,THRUST	
9	048050346	RETAINING RING, E5		44	048060346	RETAINING RING, E6	
10	130676121	SET SCREW COLLAR		45	137768121	SET SCREW COLLAR	
11	X50546020	WASHER,THRUST		46	XC4944021	BUSHING PRESSER B	
12	XC4924021	FEED ARM ASSY		47	085310615	TAPTITE, BIND B M3 x 6	
13	XC4927021	FEED SUPPORTING PLATE		48	025040332	WASHER, PLAIN L 4	
14	XC4928120	FEED SUPPORTING PLATE B	1000000733	49	146200021	RETAINING RING, CS4	
15	137999020	POLYESTER SLIDER		50	X56655021	RETAINING RING: CSTW-3.5	
16	XC4929020	FEED ADJUSTER		51	060400816	SCREW, BIND M4 x 8	
17	XC4930121	FEED ADJUSTING SHAFT		52	XC6364021	SPRING	
18	047201242	PIN, SPRING ROLL AW2		53	XC4948020	BUSHING PRESSER A	
19	XC4931021	SPRING		54	XC3496021	GIZA TITE 5 x 16	
20	XZ5024001	VERTICAL ADJUSTER SCREW ASSY		55	XC8993321	INNER ROTARY HOOK ASSY	1000008855
21	XC2546021	M5 NUT		56	X52800120	BOBBIN	
22	XC4935021	SPRING		57	XC3805021	GIZA TITE 5 x 16	
23	XC4936020	VERTICAL FEED SHAFT		58	XC8990121	NEEDLE PLATE A ASSY	
24	XC2551020	VERTICAL LEVER		59	XC4946221	NEEDLE PLATE A	
25	048030346	RETAINING RING, E3		60	XC8991120	STOPPER PLATE	
26	XC8987021	OUTER ROTARY HOOK ASSY (Plastic Model)		61	XC8992121	F GEAR STOPPER PLATE	
	XD0115021	OUTER ROTARY HOOK ASSY (Metal Model)		62	XD0196021	SCREW, BIND M2.6 x 3	
27	XC0063021	MAGNET (Plastic Model)		63	XD0060021	STOPPER PLATE B	
	XC0063051	MAGNET (Metal Model)		64	060300416	SCREW BIND M3X4	
28	XC8989020	WASHER (Plastic Model)		65	XD0059021	STOPPER PLATE L	
29	XD1943021	OUTER ROTARY HOOK SHAFT		66	X50487021	SCREW M4	1000010447
30	X53183021	WASHER (Plastic Model)		FEED ADJUSTMENT MECHANISM			
31	137805022	SPACER (Metal Model)		67	XC4949020	FEED CONNECTING HOLDER	
32	137976021	WASHER 6 (Metal Model)		68	XC9951021	FEED CONNECTING LEVER A	
33	XC4937020	SHAFT SUPPORTER		69	XC9952021	FEED CONNECTING LEVER B ASSY	
34	XC4938020	COLLAR		70	XA1620021	ADJUSTING SCREW	
				71	X56960021	NUT 4	
				72	060401416	SCREW, BIND M4 x 14	
				73	021400205	NUT, 2 M4	
				74	XC3496021	GIZA TITE 5 x 16	
				75	XC5062021	SPRING	
				76	048040346	RETAINING RING E4	



(4) ZIGZAG / PATTERN SELECTION MECHANISM

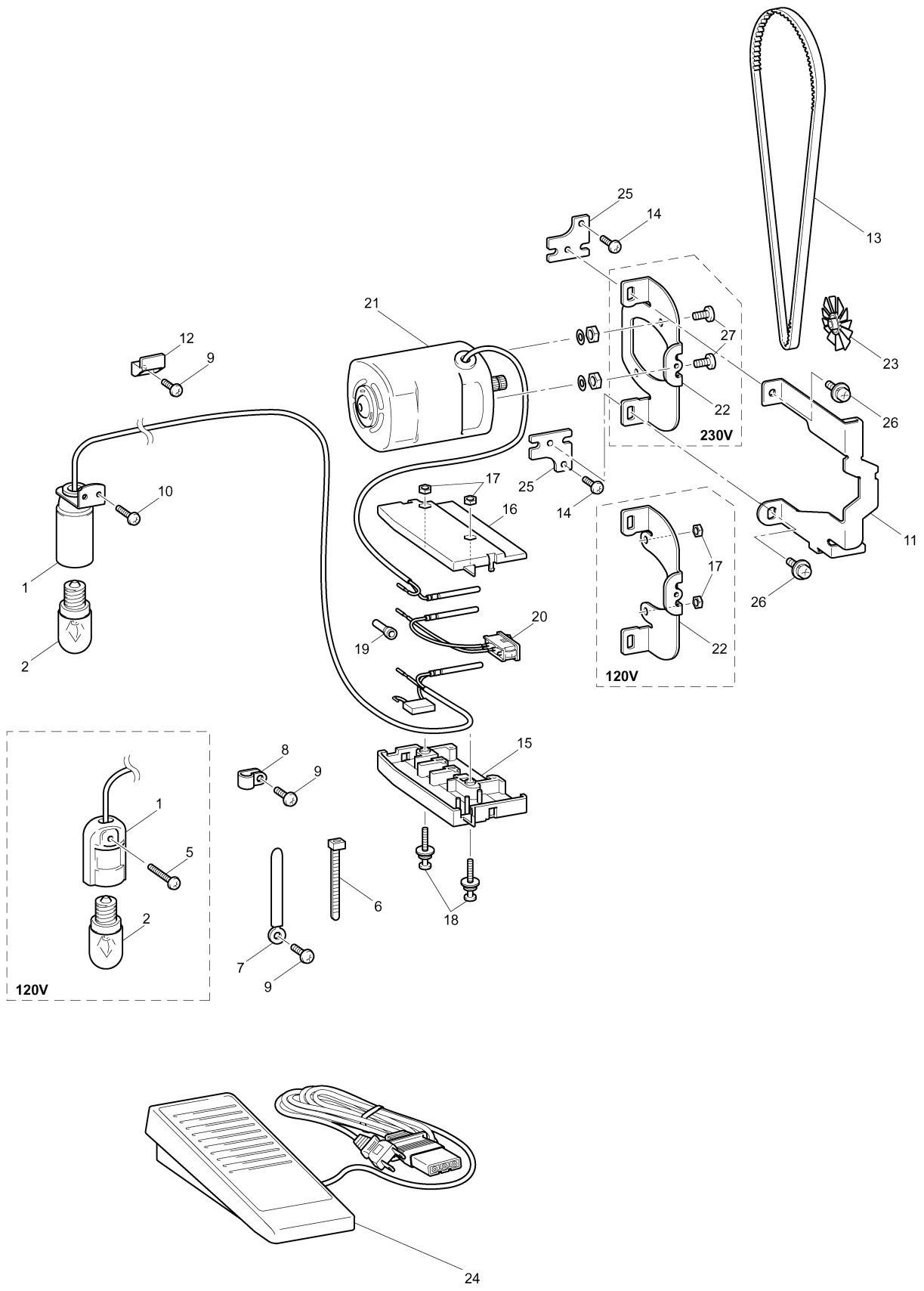
No.	CODE	NAME	REMARKS	No.	CODE	NAME	REMARKS
ZIGZAG MECHANISM				40	048030343	RETAINING RING E3	1000001452
1	XC8996120	ZIGZAG LEVER A	050266	41	XC5029021	SPRING	
2	XC8998020	ZIGZAG LEVER B		42	060300616	SCREW BIND M3X6	
3	XC8999021	ZIGZAG LINK ROLLER SHAFT		43	X59905021	SPRING	
4	0A4400806	SCREW PAN (S/P WASHER) M4X8		44	XC3805021	GIZA TITE 5 x 16	
5	048030346	RETAINING RING E3	1000001452	45	XC5035020	SPACER	
6	048040346	RETAINING RING, E4	1000001452	46	XC5036020	WASHER	
7	XA4200021	SPRING		47	XC9064021	FEED DIAL (XL26**, BM2600, L25, COMFORT25,	
8	137713020	POLYESTER SLIDER			XC9218221	FEED DIAL (XL35**, BM3500, L35)	050142
9	048025346	RETAINING RING E2.5	1000001452	48	048060346	RETAINING RING E6	1000001452
10	X50559020	ZIGZAG ADJUSTING NUT		49	XC9074021	SELECTING DIAL	
11	062300806	SCREW PAN M3X8		50	XC9075021	DECORATION PLATE (XL2600:U.S.A. CAN, TWN)	1000004242
12	XC9002021	Z DIAL HOLDER ASSY			XC9075027	DECORATION PLATE (BM2600)	
13	XC9004021	Z DIAL			XC9075033	DECORATION PLATE (XL2600:OTHER)	
14	048040346	RETAINING RING E4	1000001452		XC9075025	DECORATION PLATE (XL2610)	
15	X56839021	NOTCHED SPRING			XC9075026	DECORATION PLATE (XL2620)	
16	085310615	TAPTITE BIND B M3X6			XC9075031	DECORATION PLATE (L25)	
17	XC9006021	Z DIAL PIN			XC9075023	DECORATION PLATE (XL3500:U.S.A., XL3500T)	
18	XD1680021	Z DIAL CONNECTING ROD ASSY	050266		XC9075030	DECORATION PLATE (BM3500)	
19	048025346	RETAINING RING E2.5	1000001452		XC9075034	DECORATION PLATE (XL3500:OTHER)	
20	XC3496021	GIZA TITE 5X16			XC9075028	DECORATION PLATE (XL3510)	
21	XC9008121	ZIGZAG LINK ASSY	DEL 050202		XC9075029	DECORATION PLATE (XL3520)	
22	048050346	RETAINING RING E5	DEL 050202		XC9075032	DECORATION PLATE (L35)	
23	XC9011021	SPRING	DEL 050202		XC9075049	DECORATION PLATE (XL2650H)	ADD
24	XC9012020	SPRING HOLDER			XC9075037	DECORATION PLATE (XL3510T)	ADD
PATTERN SELECTION MECHANISM					XC9075051	DECORATION PLATE (L15)	1000006061
25	XC9013221	SELECTING UNIT ASSEMBLY (XL26**, BM2600, L25, COMFORT25, L15)	1000012301		XC9075052	DECORATION PLATE (XL2620SE)	1000007330
	XC9209521	SELECTING UNIT ASSEMBLY (XL35**, BM3500, L35)	1000012301	XC9075035	DECORATION PLATE (COMFORT25)		
26	XC4976021	BH ADJUSTING KNOB		XC9075054	DECORATION PLATE (XL2630)	1000008822	
27	X59928021	SPRING WASHER		51	XC9077021	ZIGZAG LINK CONNECTING ROD	
28	048080343	RETAINING RING, E8	1000001452	52	048030346	RETAINING RING E3	1000001452
29	048060343	RETAINING RING, E6	1000001452	53	XZ5019021	ZIGZAG LINK UNIT	050202
30	XC4989021	ADJUSTING NUT		54	085411015	TAPTITE BIND B M4X10	
31	062300806	SCREW PAN M3X8		55	XC5028021	REVERSE SEWING BUTTON	
32	XC4994021	ADJUSTING NUT		56	XD0037220	WASHER 9	060012
33	062301205	SCREW PAN M3X12		57	XZ5020101	SPACER	1000012301
34	XC9033021	SPRING		58	XA1911021	SPRING	050150
35	XC9034021	BH FEED LEVER A ASSEMBLY		59	XC8984021	TENSION PULLEY ASSY	1000003729
36	XC9037021	BH FEED LEVER B ASSEMBLY		60	0A4400806	SCREW, PAN (S/P WASHER) M4 x 8	1000003729
37	XC9039021	SPRING		61	XC5034021	SHAFT	1000007085
38	XC5092021	SPRING					
39	XC9228021	SPRING (XL35**, BM3500, L35)					





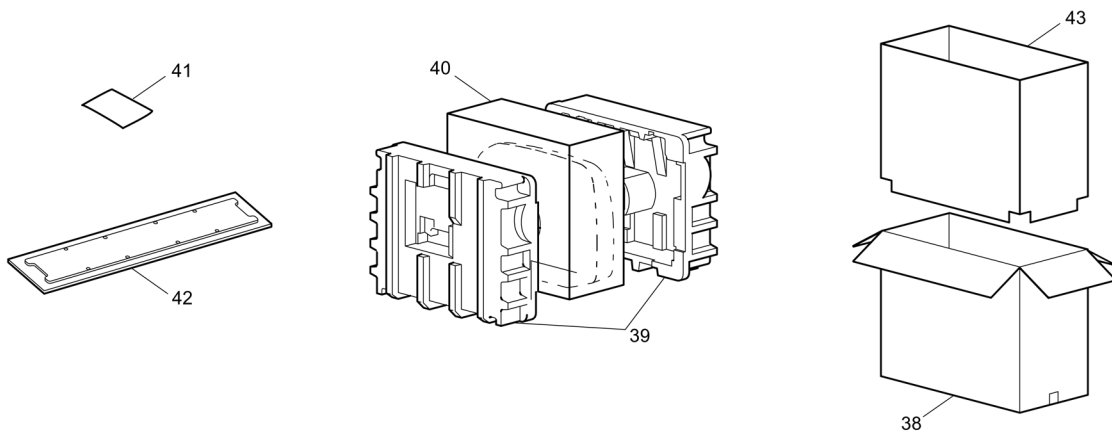
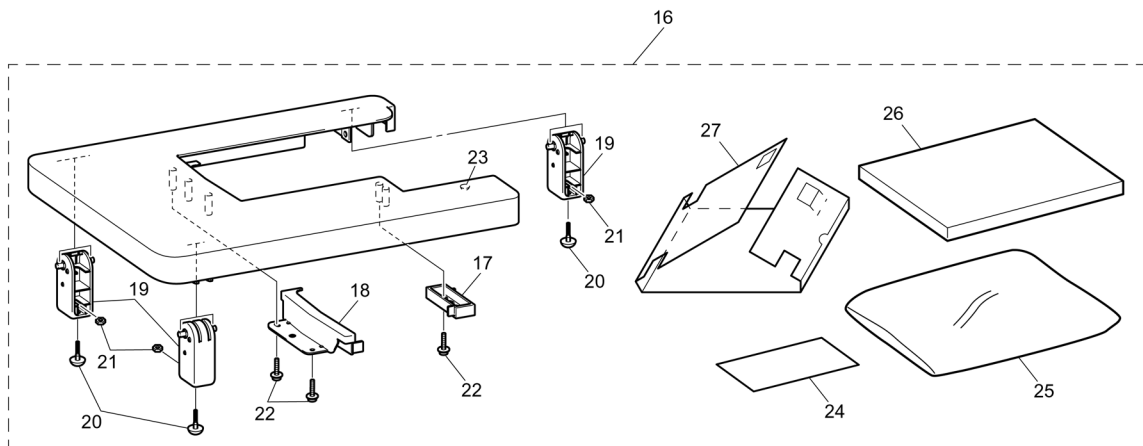
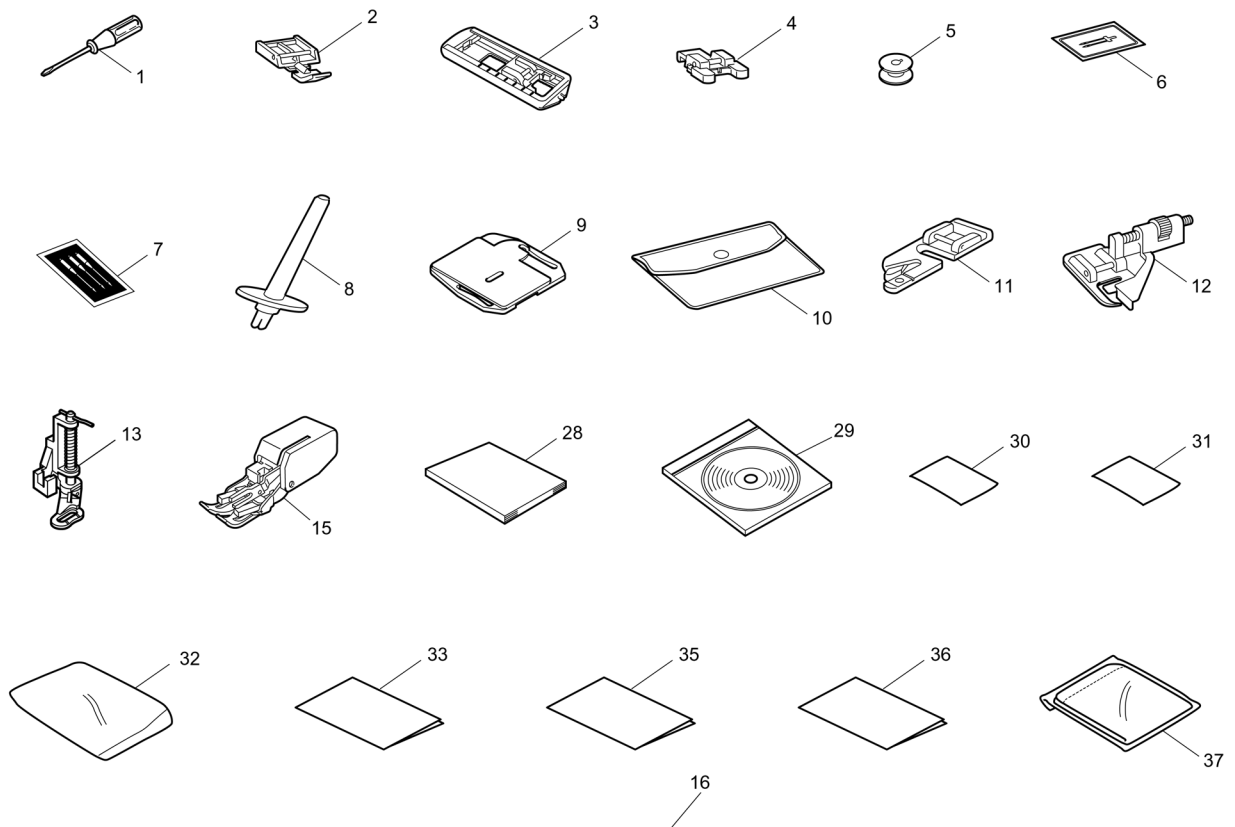
(6) LAMP MECHANISM / MOTOR UNIT

No.	CODE	NAME	REMARKS	No.	CODE	NAME	REMARKS
LAMP MECHANISM							
1	XC5992021	LAMP ASSY,E12C #026 (U.S.A., CAN, TWN)	1000004242		XE3447001	FOOT CONTROLLER:KD-1902 TWN (TWN)	1000004242
	XC9132021	LAMP ASSY,E14K #186 (OTHER)		25	XC5255001	MOTOR FIXED PLATE	1000011677
2	X53061020	SEW-LIGHT BULB (U.S.A., CAN, TWN)	1000004242	26	XA3004021	BOLT,(S/P WASHER) M5 x 12	
	205336020	SEW-LIGHT BULB L-4 (OTHER)		27	138172021	SCREW, PAN (S/P WASHER) M4 x 10	050187
3	XC5065020	LAMP HOLDER 120V (U.S.A., CAN, TWN)	1000007202				
4	060400616	SCREW, BIND M4 x 6 (U.S.A., CAN,	1000007202				
5	060302016	SCREW, BIND M3 x 20 (U.S.A., CAN, TWN)	1000004242				
6	X53169020	BAND					
7	XA0286021	WIRE CLIP					
8	XC5243021	CORD CLAMP:NK-5N					
9	085411416	TAPTITE, BIND B M4 x 14					
10	085311215	TAPTITE, BIND B M3 x 12 (Except for U.S.A., CAN, TWN)	1000004242				
11	XC9079020	CORD GUIDE PLATE					
12	XC4972021	CORD CLAMP					
MOTOR UNIT							
13	XC3806121	TIMING BELT 372-2GT-6					
14	XC3496021	GIZA TITE 5 x 16					
15	XA8786021	3P SOCKET BODY					
16	XA8787021	3P SOCKET COVER					
17	021400205	NUT, 2 M4					
18	052403006	SCREW, PAN (S/P WASHER) M4 x 30					
19	214808020	CONNECTOR:#3					
20	XC5232021	POWER SWITCH ASSY					
21	XC9954021	MOTOR SUPPLY ASSY 120V (U.S.A., CAN, TWN)	1000004242				
	XC9955021	MOTOR SUPPLY ASSY 230V					
	XD0713021	MOTOR SUPPLY ASSY 240V	050069				
	XE1034001	MOTOR SUPPLY ASSY, 220V/50HZ	060085				
	XE1042001	MOTOR SUPPLY ASSY, 220V/60HZ (KOREA)	060085				
22	XD0870321	MOTOR HOLDER FDM120V (U.S.A., CAN, TWN)	1000004242				
	XD0871421	MOTOR HOLDER FDM230V	1000006415				
23	XC3803020	MOTOR FAN					
24	XC7359021	FOOT CONTROLLER:KD-1902 (U.S.A., CAN)	1000001764				
	XC7456321	FOOT CONTROLLER:KD-2902UK	1000001764				
	XC7438321	FOOT CONTROLLER:KD-2902 (OTHER)	1000001764				
	XD0105021	FOOT CONTROLLER:KD-2902 CHN	1000001764				
	XE0629001	FOOT CONTROLLER:KD-2902AUS (BM2600, XL2620:AUSTRALIA)	1000003856				
	XD0852021	FOOT CONTROLLER:KD-2902KOREA	060085				



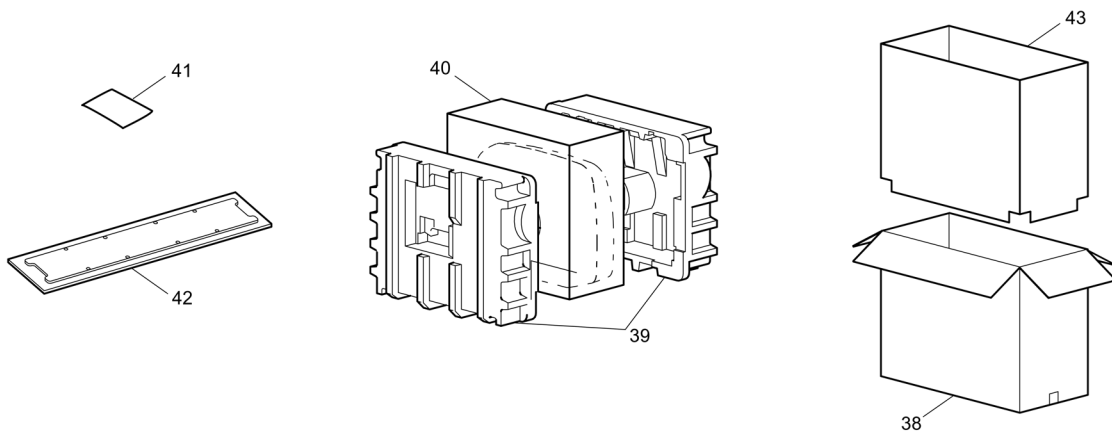
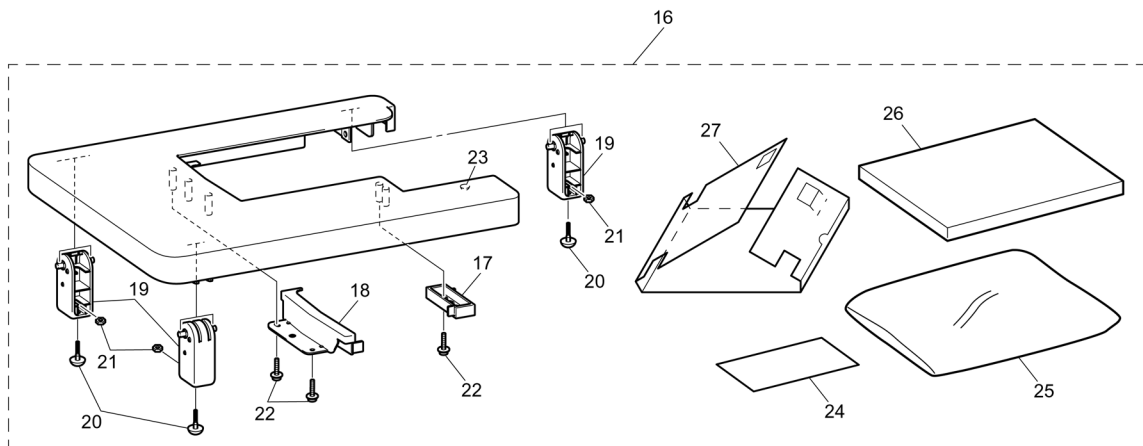
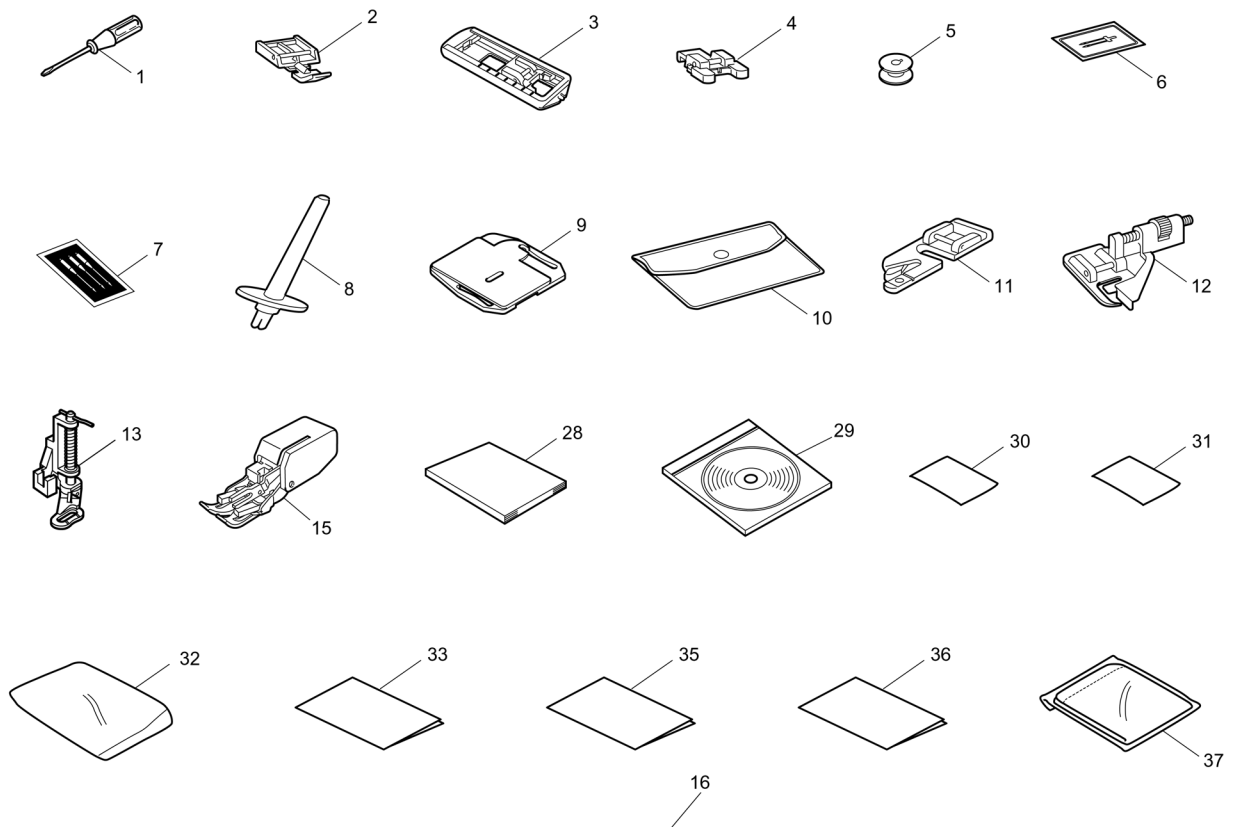
(7) ATTACHMENTS / PRINTED MATTER / PACKING MATERIALS

No.	CODE	NAME	REMARKS	No.	CODE	NAME	REMARKS
ATTACHMENTS				28	XD0103021	INSTRUCTION BOOK CHN	
1	X55467021	SCREW DRIVER			XC7453021	INSTRUCTION BOOK SPA	ADD
2	X59370021	ZIPPER FOOT			XC9972121	INSTRUCTION BOOK (RUS)	050195
3	X59369321	BUTTON HOLE FOOT ASSY			XE3369001	INSTRUCTION BOOK (TWN)	1000004242
4	XE2137001	BUTTON SEWING FOOT	1000001059		XE5683001	INSTRUCTION BOOK TUR	1000010623
5	X52800120	BOBBIN			XE4727001	MYLER INSTRUCTION ASSY (XL2610, XL3510)	1000007562
6	X57521021	NEEDLE PACKAGE (1 PCE)		29	XD1866021	INSTRUCTION DVD PAL (U.K. IRE, HKG, AUS, RUS, TUR)	060155
7	129583021	NEEDLE SET (3PCS)		30	XC0380021	WARRANTY CARD (U.S.A.)	
8	130920021	EXTRA SPOOL PIN			LA1661001	WARRANTY CARD EURO CH	1000010793
9	XC6063021	FEED DOG COVER			XC6402021	WARRANTY CARD UK	
10	XC4487021	ACCESSORY BAG			XA6351221	WARRANTY CARD (ITALY)	050317
11	X59371021	NARROW HEMMER FOOT (U.S.A.,CAN, TWN)	1000004242		XD1328121	WARRANTY CARD CHINA	1000007966
12	XE6081001	BLIND STITCH FOOT (USA, CAN, TWN)	1000012127		XE3332001	MASS WARRANTY CARD (BM2600:HKG, TUR)	1000003830
13	XD1819021	QUILTING FOOT (XL3500T, XL3510T)	050309		LW3135001	CEE WARRANTY CARD (EEU)	1000011500
	X59819021	QUILTER (XL3500T, XL3510T)	050152	31	XE2010001	WARRANTY CARD BROTHER CANADA	1000001038
15	XE2785002	WALKING FOOT ASSY (XL3500T, XL3510T)	1000002188		XE5572001	WARRANTY CARD BROTHER RUS (RUS)	1000010023
16	XC9800021	S99 WIDE TABLE ASSY (XL3500T, XL3510T)		32	130800021	BAG,230 x 310H	1000011228
17	XC9360021	FIXING PLATE A (XL3500T, XL3510T)		33	XC8537021	QUICK REFERENCE GUIDE (U.S.A., CAN, TWN, XL2620SE)	1000004242
18	XC9786021	FIXING PLATE S99 (XL3500T, XL3510T)			XC8327021	QUICK REFERENCE GUIDE (BM2600,3500,L25,35, COMFORT25, XL2630:MYS)	
19	XC4495021	TABLE FOOT (XL3500T, XL3510T)			XC9110021	QUICK REFERENCE GUIDE (OTHER)	
20	XD1223021	ADJUSTING FOOT (XL3500T, XL3510T)	050196		XE3644001	QUICK REFERENCE GUIDE BM2600 (BM2600:HKG, TUR)	1000005705
21	021400206	NUT 2 M4 (XL3500T, XL3510T)		34	XC9286021	CONTACT SHEET (XL2600, XL3500T:CAN)	1000001810
22	087411416	TAPTITE CUP B M4X14 (XL3500T, XL3510T)		35	XC1885021	MANUAL (XL3500T:CAN, XL2600:TWN)	1000004242
23	X59853020	RUBBER CUSHION (XL3500T, XL3510T)		36	XA7201021	USER'S MANUAL (XL3500T:CAN, XL2600:TWN)	1000004242
24	XC9802021	INSTRUCTION MANUAL (XL3500T, XL3510T)		37	XA2112022	DUST COVER ASSY (Except for U.S.A., CAN, TWN)	1000004242
25	X61231021	BAG,400X500H (XL3500T, XL3510T)			XE4988001	INSERTION (CAN)	1000008451
26	XC9361020	LE WIDE TABLE CARTON (XL3500T, XL3510T)			XE2196001	INSERTION	1000003188
27	XC9362020	PAD (XL3500T, XL3510T)			XE2895001	OPTIONAL 5YEAR WARRANTY CARD (U.K.)	1000004069
	X60838000	BAG, 70X110C (XL3500T, XL3510T)	050336		XE3564001	INNOV-IS RANGE PROMOTION DVD	1000005046
PRINTED MATTER					XE5495001	INSTRUCTION DVD ASSY RUS (RUS)	1000009910
28	XC8346021	INSTRUCTION BOOK (U.S.A.)			XE4888001	NOT RETURN INSTRUCTION SHEET (XL2610, 3510)	1000007964
	XC6771021	INSTRUCTION BOOK (English)					
	XC7252021	INSTRUCTION BOOK FRE					
	XC9157021	INSTRUCTION BOOK (German)					
	XC8248021	INSTRUCTION BOOK SWE					
	XC7344021	INSTRUCTION BOOK DUT					
	XC8030021	INSTRUCTION BOOK ITA					
	XC8113021	INSTRUCTION BOOK DEN					
	XC8276021	INSTRUCTION BOOK FIN					



(7) ATTACHMENTS / PRINTED MATTER / PACKING MATERIALS

No.	CODE	NAME	REMARKS	No.	CODE	NAME	REMARKS
PACKING MATERIALS							
38	XC5079042	COLOR CARTON (XL2600:U.S.A., CAN)	050260		XE3393001	S99 HC PS FOAM PAD ASSY (XL2650H)	1000003855
	XC5079030	COLOR CARTON (XL2610:U.K.)			XZ5048001	NEEDLE PAD D (XL2650H)	1000003855
	XC5079040	COLOR CARTON (XL3500:U.S.A.)	050260		XD0242021	DVD STICKER (XL2620:AUS)	1000003856
	XC5079031	COLOR CARTON (XL3510:U.K.)			XE4997001	NEEDLE GUARD D (L25, COMFORT 25)	1000008531
	XC5079033	COLOR CARTON (BM3500:SIN)					
	XC5079034	CARTON (BM2600:SIN, AUS, HKG, TUR,MYS)					
	XC5152034	CARTON (BM2600)					
	XC5152030	CARTON (XL2600:OTHER)					
	XC5152033	CARTON (XL2620)					
	XE4550001	COLOR CARTON (XL2610:OTHER)	1000007195				
	XC5152040	CARTON (XL2610:FRA)					
	XE3544001	CARTON (L25)	1000006418				
	XC9804022	CARTON (XL3500T)	050260				
	XC5152038	CARTON (BM3500)					
	XC5152031	CARTON (XL3500:OTHER)					
	XC5152037	CARTON (XL3520)					
	XE4551001	COLOR CARTON (XL3510:OTHER)	1000007196				
	XC5152039	CARTON (XL3510:FRA)					
	XE3547001	CARTON (L35)	1000006418				
	XE2009001	COLOR CARTON (XL2650H)	ADD				
	XC9804023	COLOR CARTON (XL3510T)	ADD				
	XE3428001	COLOR CARTON (XL2600:TWN)	1000004242				
	XC5079038	COLOR CARTON (XL2620:AUS)	1000003856				
	XE3828001	CARTON (L15)	1000006061				
	XE3543001	CARTON (XL2600:RUS)	1000006418				
	XE3546001	CARTON (XL3500:RUS)	1000006418				
	XE3545001	CARTON (COMFORT 25)	1000006418				
	XE4618101	COLOR CARTON (XL2620SE)	1000011130				
	XE5160001	COLOR CARTON (XL2630)	1000008822				
39	XC5081320	S22SF ASSY	060067				
40	X60439121	BAG,630 x 630T					
41	X57847021	PLUG LABEL (U.K.)					
42	LA6041001	SECURITY TAG (U.S.A.)					
43	XC5063020	PROTECTION CARTON					
	XD1536020	DIAL PAD D	050230				
	XC9806020	PAD (XL3500T, XL3510T)					
	X57367021	BAG,135 x 150 (XL3500T, XL3510T)	050054				
	X54243051	SEAM RIPPER (XL2600:GER)	050181				
	X59476021	CLEANING BRUSH (XL2600:GER)	050181				
	XE0924501	INSTRUCTION DVD ASSY RUS	060194				
	XE1158101	BOOKLET	060168				
	XE3392001	S99 PS FOAM PAD ASSY (XL2650H)	1000003855				



brother®

XL2600/2610/2620/XL2650H/BM2600/L25
XL3500/3510/XL3510T/3520/BM3500/L35/L15/XL2620SE/comfort25/XL2630
21M04HF885S25/27

12. 2004.
03. 2009.