



**Home Sewing Machine**

# PARTS REFERENCE LIST

---

**MODEL: F440E**

**CONFIDENTIAL**

©2016 Brother Industries, Ltd.  
All rights reserved.

Published: Jun.,2016  
Revised: Mar.,2017





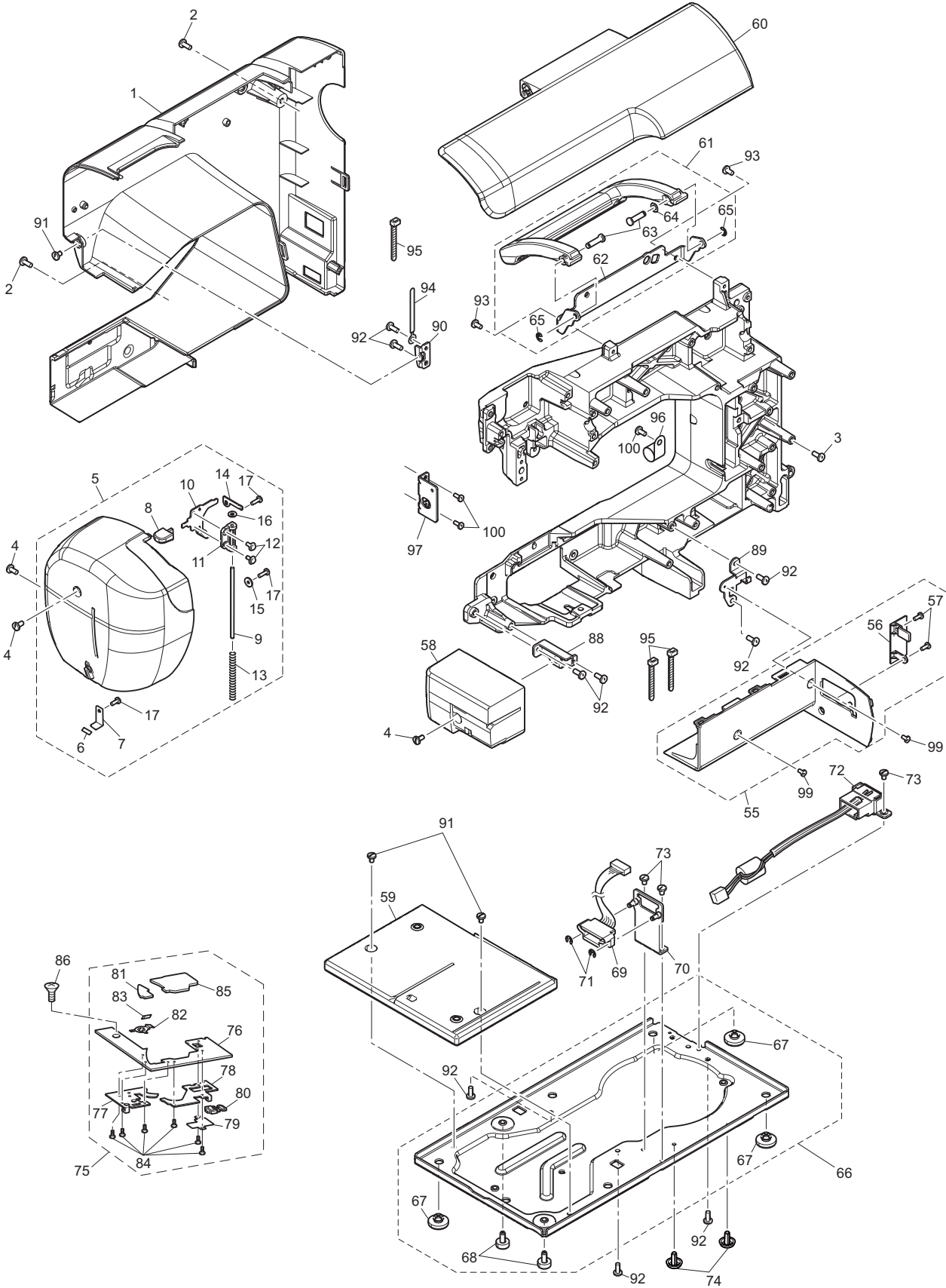
# CONTENTS

(1) MAIN FRAME / COVER .....	2
(2) UPPER SHAFT / NEEDLE BAR / PRESSER FOOT UNIT ...	6
(3) FEED / THREAD CUTTING UNIT .....	8
(4) BOBBIN WINDING MECHANISM.....	10
(5) NEEDLE THREADING MECHANISM .....	12
(6) ELECTRIC PARTS / MAIN MOTOR UNIT .....	14
(7) EMBROIDERY UNIT .....	16
(8) ACCESSORY PARTS .....	20
(9) USER MANUAL / PACKAGE.....	22
NEEDLE-PRESSER MODULE.....	24
FEED MODULE .....	26
THREAD CUTTER MODULE .....	28
SPARE PARTS.....	30

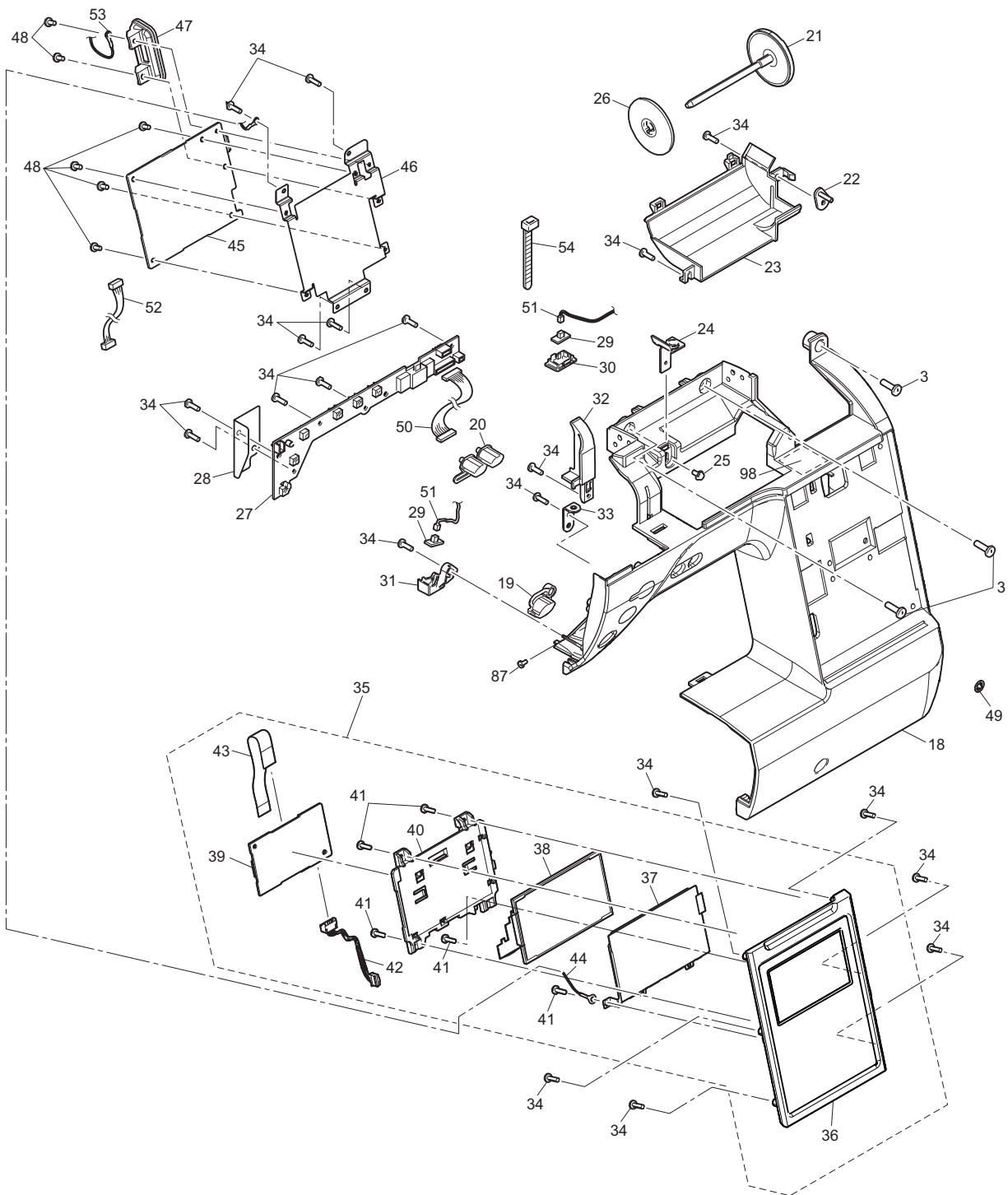
**Note on parts:**

We keep performance parts for this sewing machine for at least 8 years after this model is discontinued. Performance parts are the necessary parts to maintain the function of the sewing machine.

# (1) MAIN FRAME / COVER



# (1) MAIN FRAME / COVER



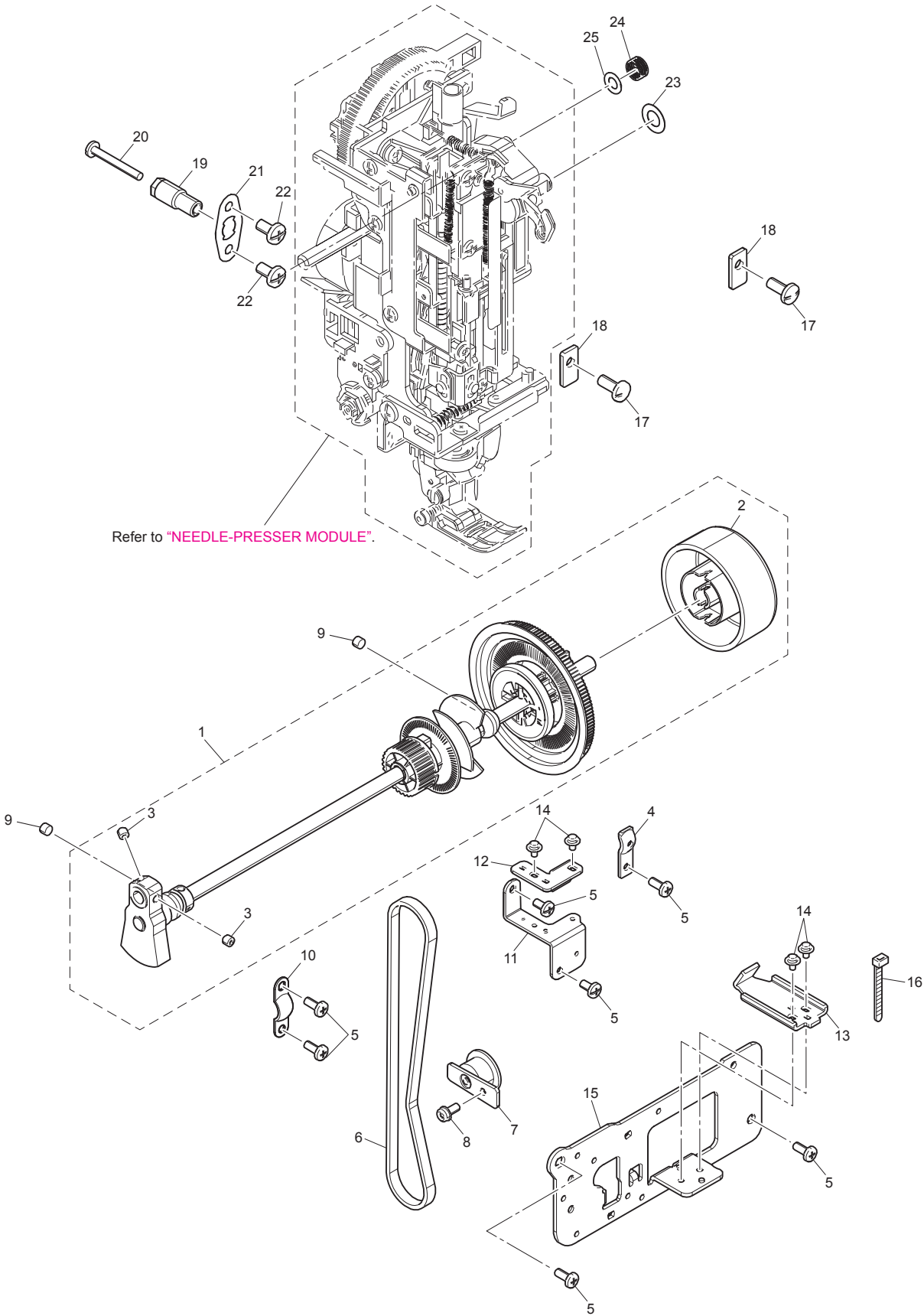
## (1) MAIN FRAME / COVER

No.	CODE	NAME	REMARKS	No.	CODE	NAME	REMARKS
1	XG5872001	REAR COVER		45	XG7046001	PANEL PCB SUPPLY ASSY EMB/B_EU	
2	XC7568051	SCREW, PAN(S/P WASHER)M4X14		46	XF8632001	BOARD PLATE	
3	085411416	TAPTITE BIND B M4X14		47	XF8633001	USB COVER	
4	XC7566051	SCREW, PAN(S/P WASHER)M4X8		48	060300616	SCREW BIND M3X6	
5	XG4347001	FACE PLATE ASSY		49	146200021	RETAINING RING, CS4	
6	X80321021	NT LOWER THREAD CUTTER		50	XF9384001	LEAD WIRE ASSY SSVR NEXT F	
7	XE1435001	FACE PLATE CUTTER HOLDER		51	XF9385001	LEAD WIRE ASSY LED NEXT F	
8	XF8546001	NEEDLE THREAD LEVER KNOB		52	XF9387001	LEAD WIRE ASSY MAIN-PANEL	
9	XC9386051	NEEDLE THREAD LEVER SHAFT		53	XG5095001	LEAD WIRE ASSY PANEL USB FG7.4	
10	XG4482001	NEEDLE THREAD LEVER		54	X53169020	BAND	
11	XD0119050	NEEDLE THREAD LEVER SLIDER		55	XG5706001	FREE ARM FRONT COVER ASSY EMB	
12	XA8390021	SCREW		56	XF8636001	CONNECT COVER HOLDER	
13	XC9388051	THREAD THROUGH LEVER SPRING		57	136681021	TAPTITE, BIND B M3X8	
14	XA6320050	SHAFT PRESSER PLATE		58	XG3853101	FREE ARM COVER	
15	XA5525051	WASHER,PLAIN		59	XG3852001	BASE PLATE COVER	
16	XC0508020	RUBBER WASHER		60	XG4252002	TOP COVER	
17	085311016	TAPTITE BIND B M3X10		61	XG4351001	HANDLE ASSY	
18	XG5808001	FRONT COVER		62	XG3877001	HANDLE HOLDER	
19	XG5621001	SS BUTTON		63	XF8666001	HANDLE SHAFT	
20	XG4246001	OPERATION BUTTON		64	XF9413001	WAVE-SHAPE SPRING WASHER	
21	XG7610001	SPOOL PIN	1000055987	65	048040346	RETAINING RING E4	
22	XC9690051	SPOOL PIN HOLDER ASSY		66	XG4324001	BASE PLATE ASSEMBLY	
23	XG3857001	THREAD BOBBIN COVER		67	XA1805021	BASE RUBBER A	
24	XC9693451	BOBBIN WINDER GUIDE ASSY		68	XE1973001	ADJUSTING SCREW ASSY	
25	XA8390021	SCREW		69	XF9395001	LEAD WIRE ASSY MAIN-EMB UNIT	
26	XE1372001	SPOOL PRESSER C		70	XF8682001	CONNECTOR HOLDER ASSY	
27	XG3734001	SSVR PCB ASSY NEXT FEMB7.4		71	048030346	RETAINING RING E3	
28	XF8591101	SSVR INSULATION SHEET		72	XF9399101	LEAD WIRE ASSY INLET EU NEXT F	
29	XG5043001	LED PCB ASSY NEXT F1		73	060400616	SCREW BIND M4X6	
30	XF8592001	LED LAMP COVER		74	XF5650001	SCREW CAP	
31	XF8593001	LED LAMP COVER R		75	XF9665001	NEEDLE PLATE B ASSY	
32	XG4248001	THREAD GUIDE COVER		76	XC9705151	NEEDLE PLATE B	
33	XG3860001	COVER HOLDER PLATE		77	XC9706051	LOWER THREAD GUIDE	
34	085311016	TAPTITE BIND B M3X10		78	XC9707051	INNER ROTARY HOOK PLATE	
35	XG7290001	LCD UNIT SUPPLY ASSY F440E		79	XG2896001	BUTTON CATCH PLATE	
36	XG7291001	PN PLATE SUPPLY ASSY F440E		80	XC9709051	SLIDE BUTTON	
37	XG1325001	TOUCH PANEL SUPPLY ASSY		81	XE9410001	CUTTER COVER	
38	XG6798001	LCD SUPPLY ASSY		82	XD1461051	NEEDLE PLATE COVER SPRING	
39	XF8985001	LCD RELAY PCB ASSY		83	X80321021	NT LOWER THREAD CUTTER	
40	XG3845001	PANEL COVER LID		84	060020316	SCREW BIND M2X3	
41	085311016	TAPTITE BIND B M3X10		85	XG1887001	NEEDLE PLATE COVER ASSY	
42	XF9390001	LEAD WIRE ASSY ELECSW-LCD R		86	X50487021	SCREW M4	
43	XF9388001	FLEXIBLE FLAT CABLE:SML2CD-24		87	0A6300606	SCREW PAN (T WASHER) M3X6	
44	XG0284001	LEAD WIRE ASSY NEXTF LCD FRAME		88	XC9746151	FREE ARM PLATE	



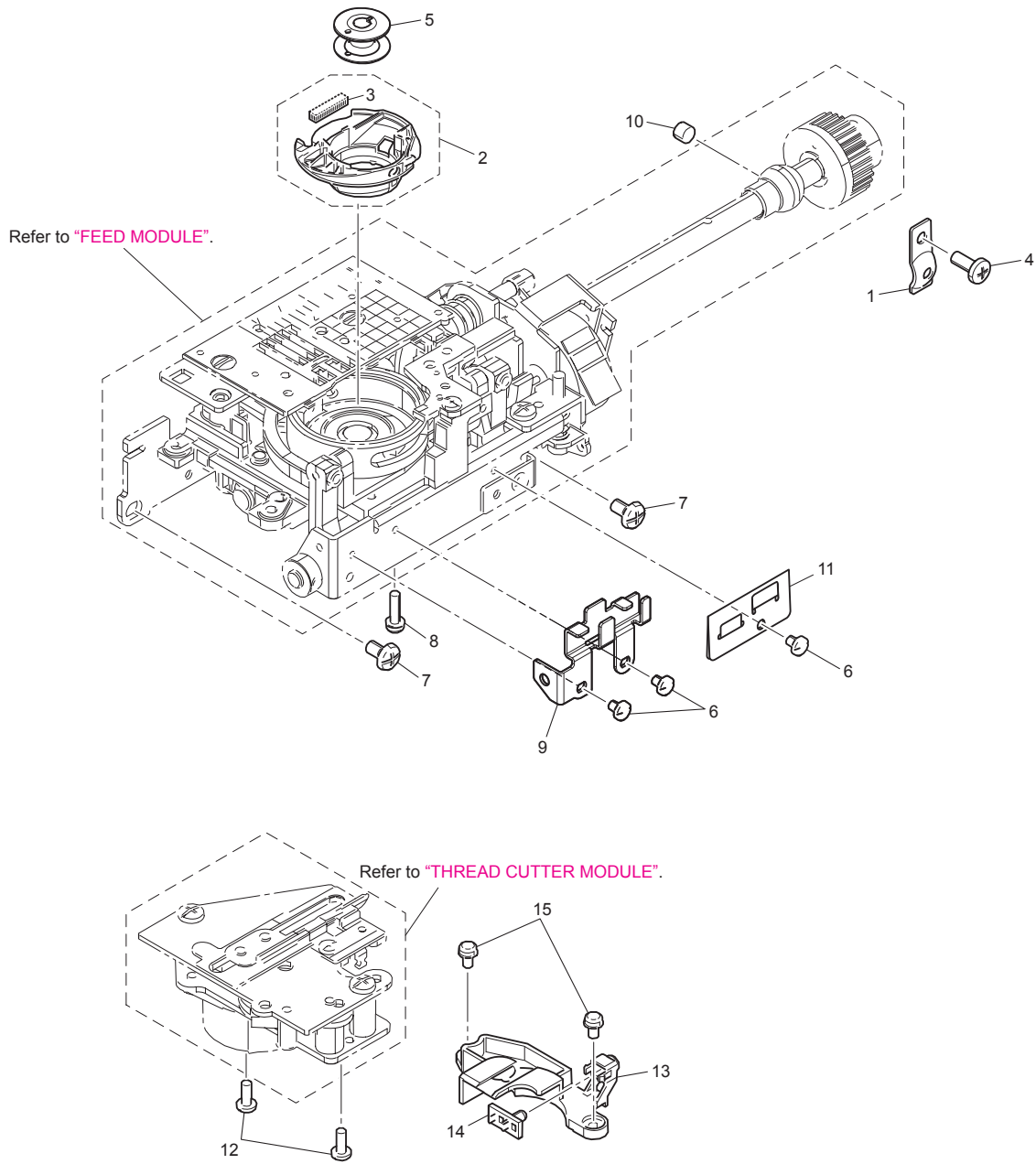


# (2) UPPER SHAFT / NEEDLE BAR / PRESSER FOOT UNIT



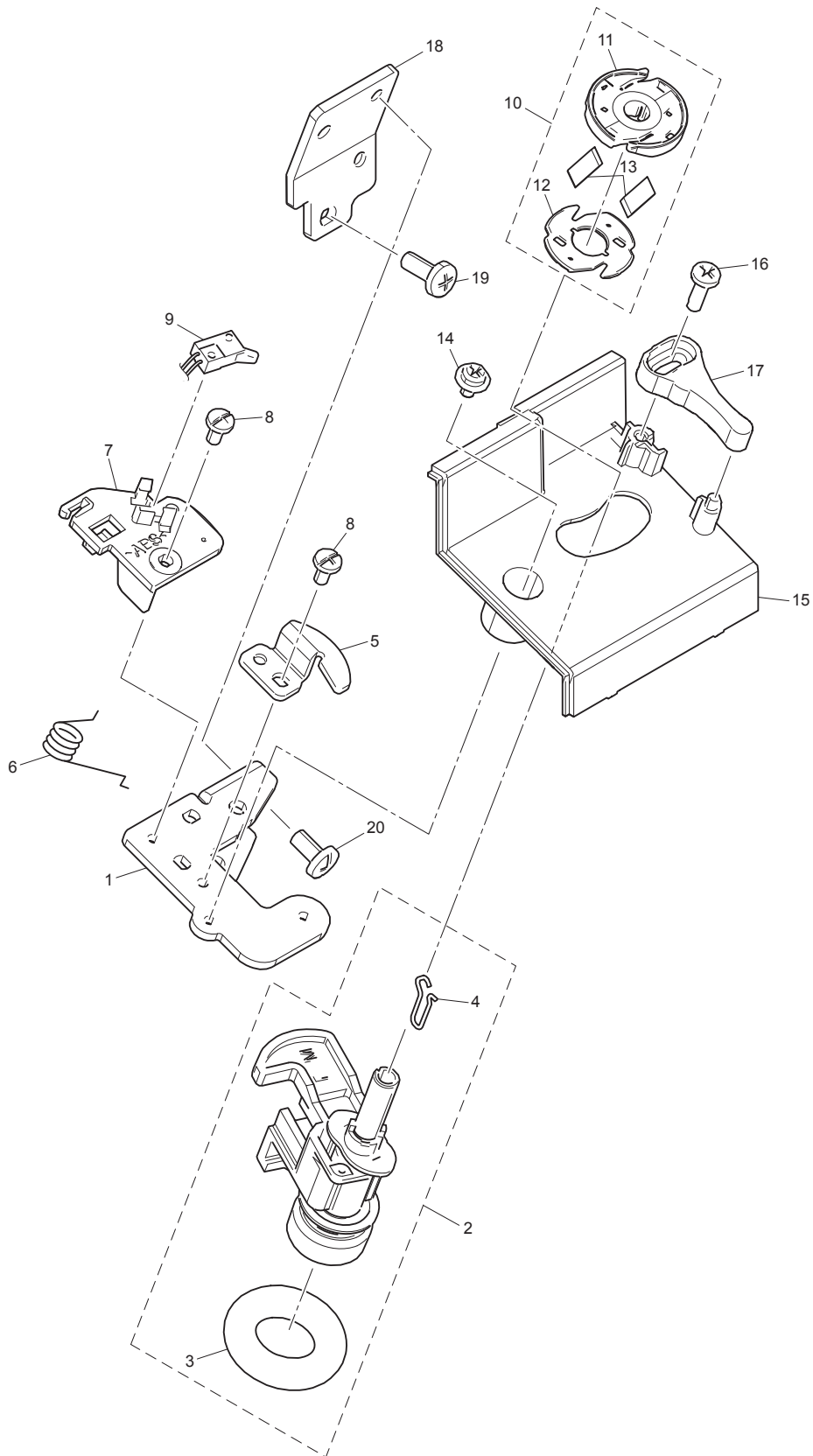


### (3) FEED / THREAD CUTTING UNIT



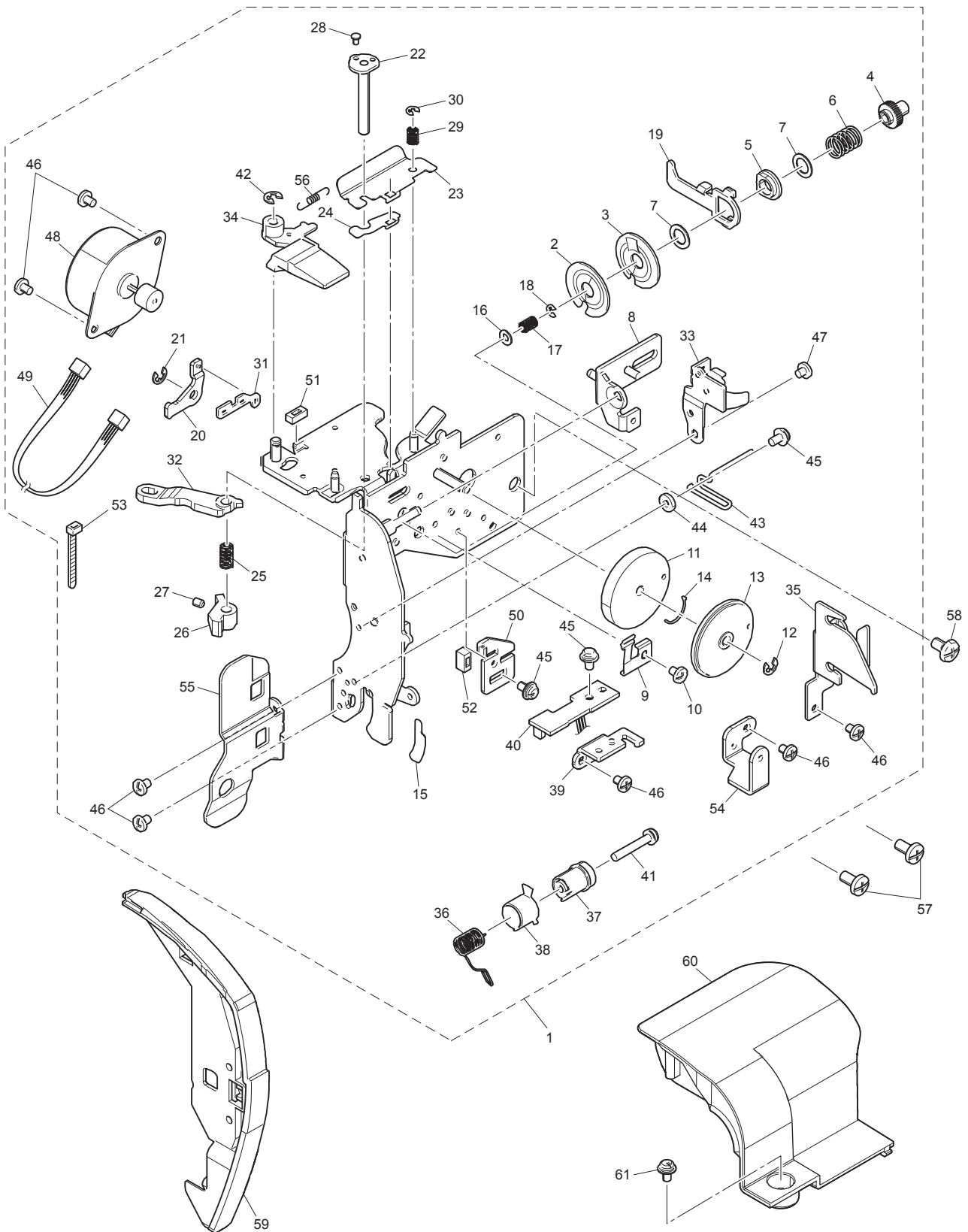


## (4) BOBBIN WINDING MECHANISM





# (5) NEEDLE THREADING MECHANISM

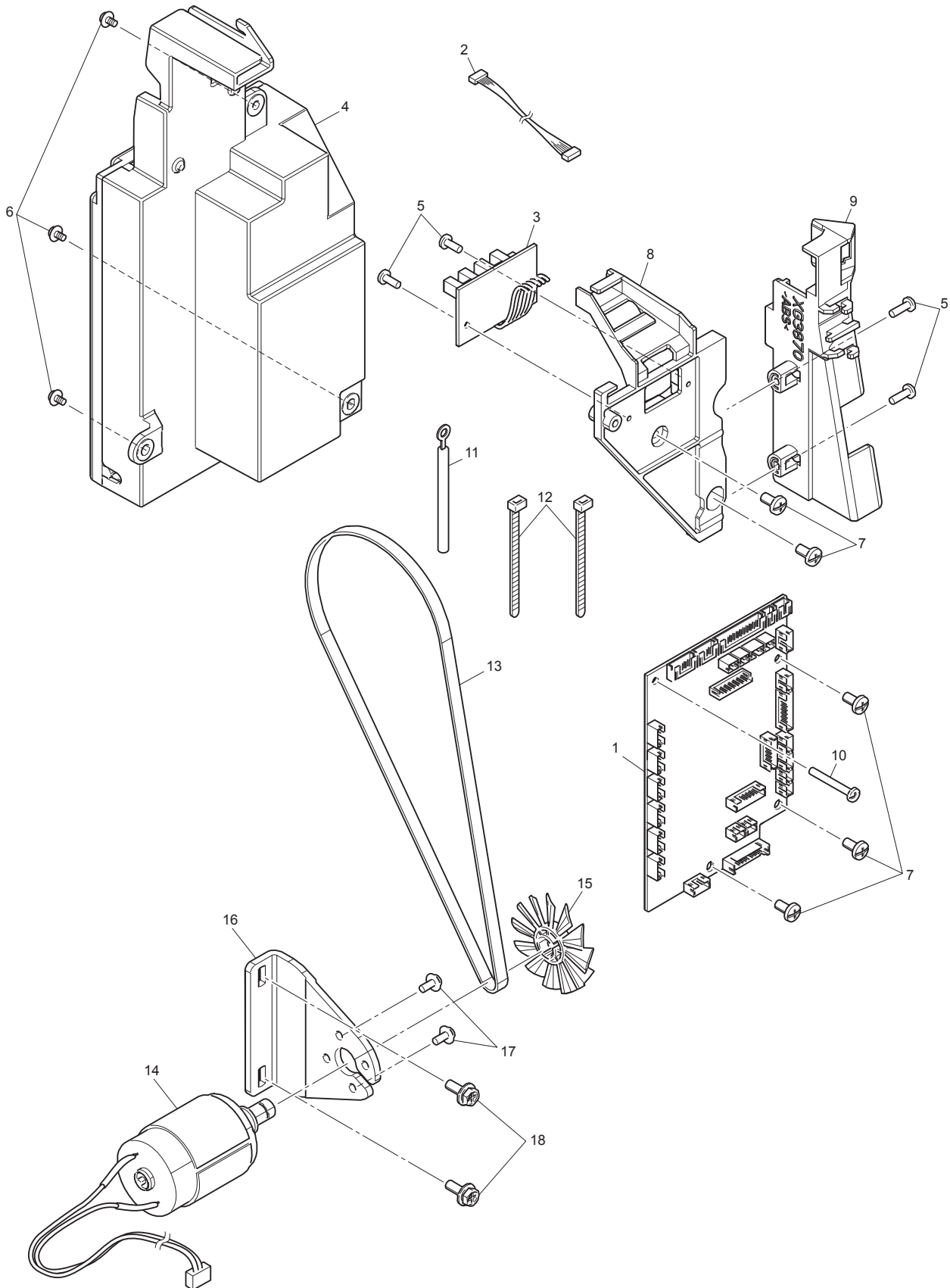


## (5) NEEDLE THREADING MECHANISM

No.	CODE	NAME	REMARKS	No.	CODE	NAME	REMARKS
1	XG1334201	THREAD TENSION U SUPPLY ASSY		45	XC7564021	SCREW PAN(S/P WASHER)M3X6	
2	XA0083151	TENSION DISC A		46	060300416	SCREW BIND M3X4	
3	XC2626151	TENSION DISC B		47	XC6055021	SCREW, BIND M3X3	
4	XF8877001	TENSION ADJUSTING SCREW		48	XG1449001	PULSE MOTOR:AT M35SP-9NK	
5	XA1388021	TENSION DISC WASHER		49	XF9380101	LEAD WIRE ASSY ATPM	
6	XA9900051	THREAD TENSIONSPRING		50	XF8892101	INITIAL ADJUSTING PLATE	
7	XD0573021	WASHER		51	XC3253051	RUBBER	
8	XF8880101	TENSION PLATE ASSY		52	XG1817001	RUBBER	
9	XF8882101	SPRING PLATE		53	X53169020	BAND	
10	060300416	SCREW BIND M3X4		54	XF8893001	COVER HOLDER	
11	XG1022001	THREAD TENSIONCAM		55	XG0730001	THREAD GUARD PLATE	
12	048030346	RETAINING RING E3		56	XG0747001	SHUTTER PULL SPRING	
13	XZ0170051	THREAD TENSION GEAR COVER		57	060400816	SCREW BIND M4X8	
14	X56323021	SPRING		58	XE1489001	STUD SCREW M4	
15	XA9935050	SPRING TAPE		59	XG4250001	THREAD GUARD COVER	
16	XG5717001	TENSION DISC RELEASE WASHER		60	XG5675001	FRONT THREAD GUARD COVER	
17	X57605051	SPRING		61	0A5300606	SCREW PAN (S/P WASHER) M3X6	
18	048020346	RETAINING RING E2					
19	XC9444151	DISK WASHER HOLDER					
20	XG0776001	TENSION RELEASER LINK					
21	048030346	RETAINING RING E3					
22	XC2638151	TENSION PRESSURE ASSY					
23	XC9115151	TENSION PLATE					
24	XC7927151	SPACER					
25	XG0732001	SPRING					
26	XC2640051	TENSION RELEASE CAM					
27	012300432	SET SCREW SOCKET (FT) M3X4					
28	X57363051	POWER LOCK 2X3					
29	X57605051	SPRING					
30	048020346	RETAINING RING E2					
31	XG0777001	SHUTTER RELEASER LINK					
32	XG0778001	THREAD SHUTTER LINK					
33	XF9049101	PLATE ASSEMBLY					
34	XF8888101	THREAD GUIDE SHUTTER	1000056805				
35	XF8889001	THREAD GUIDE					
36	XG3103001	THREAD TAKE UP SPRING					
37	XD0377151	THREAD CATCHING SPRING CASE FE					
38	XE5731001	THREAD CUTTING SHUTTER					
39	XD0379051	THREAD SENSOR HOLDER FE					
40	XF8944201	UPTHREAD PCB ASSY NEXT F					
41	0A4302006	SCREW PAN (S/P WASHER) M3X20					
42	048030346	RETAINING RING E3					
43	XC7931050	THREAD GUIDE WIRE					
44	XA9996051	WASHER,PLAIN					

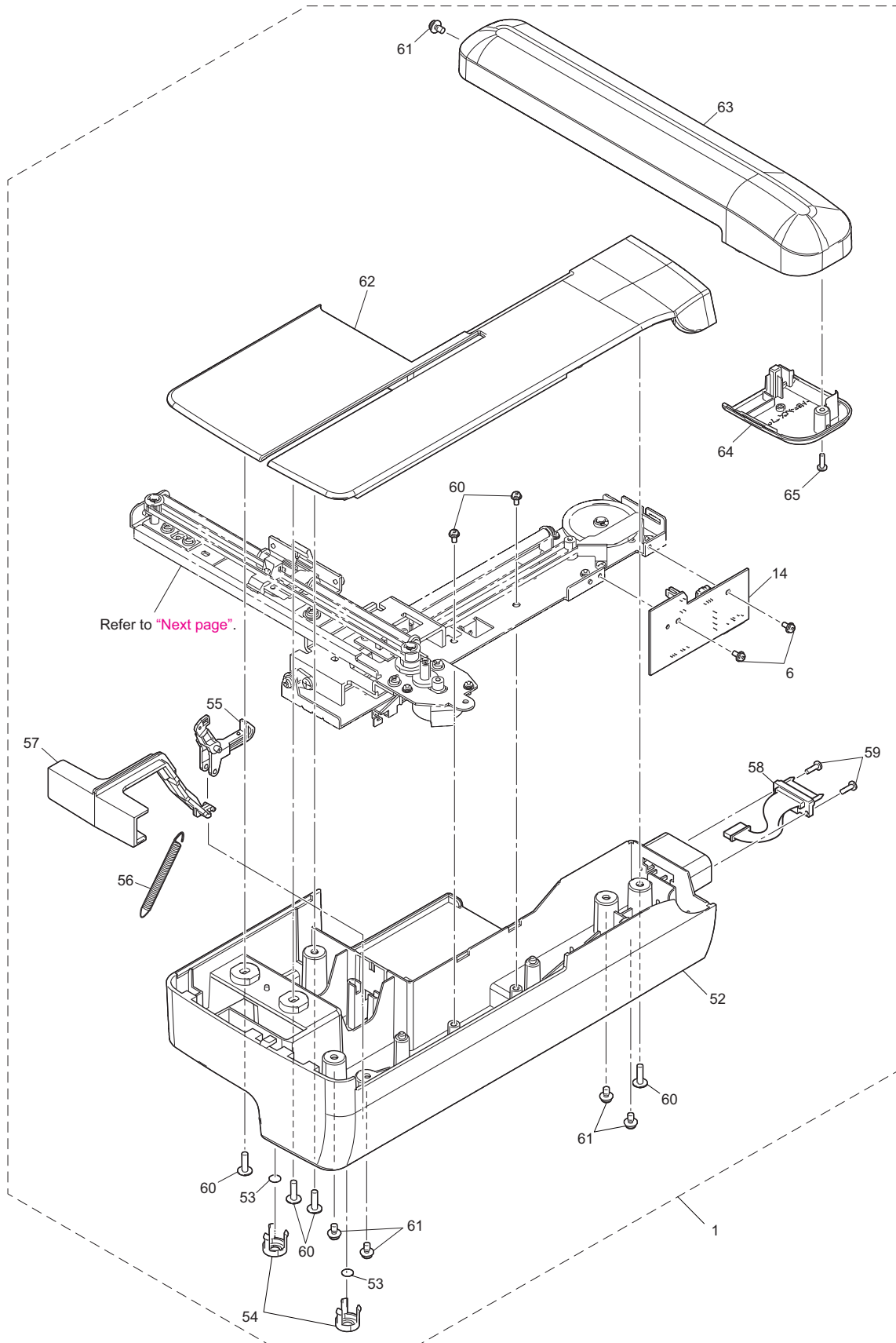


## (6) ELECTRIC PARTS / MAIN MOTOR UNIT

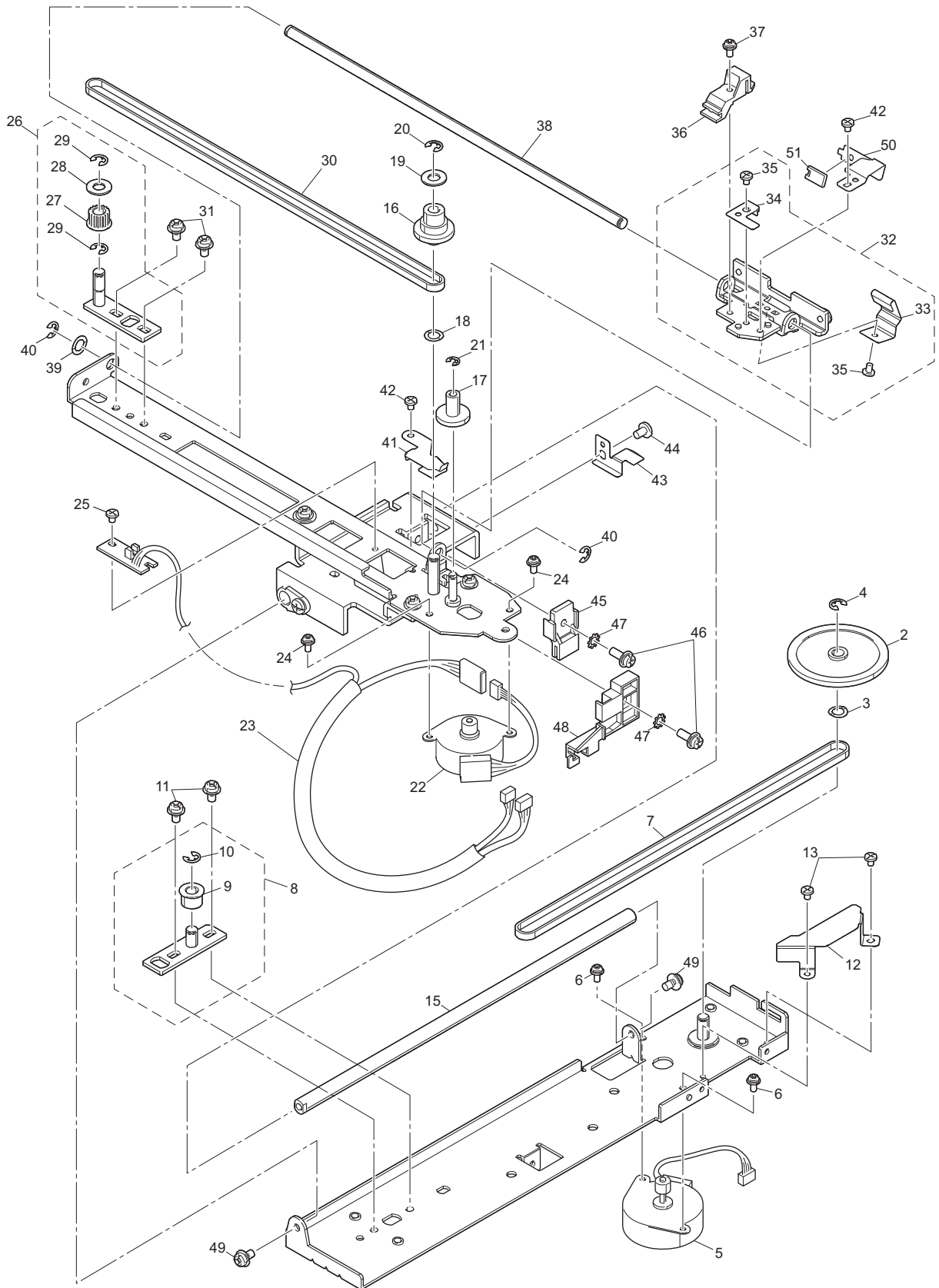




# (7) EMBROIDERY UNIT



# (7) EMBROIDERY UNIT



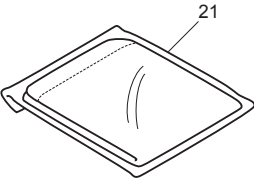
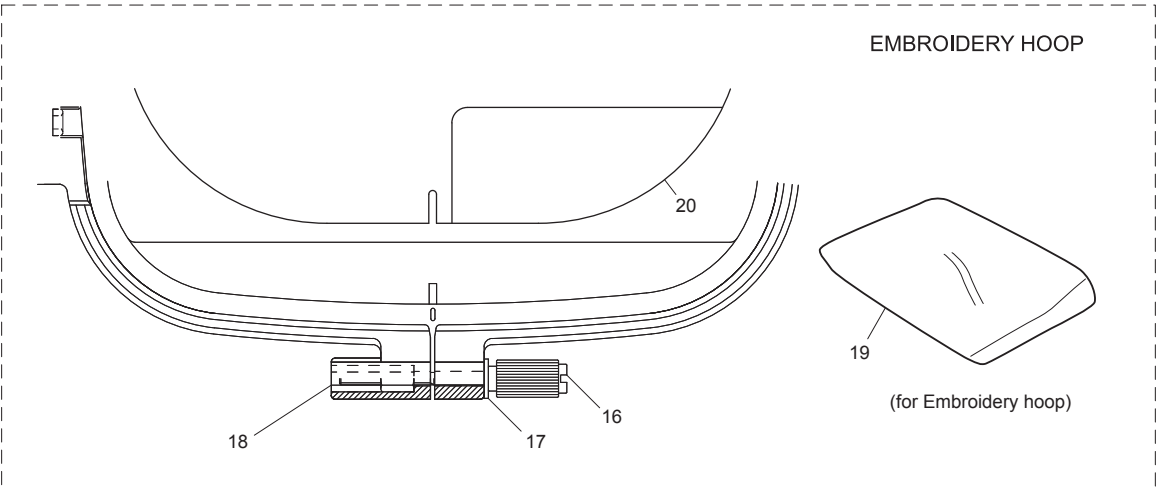
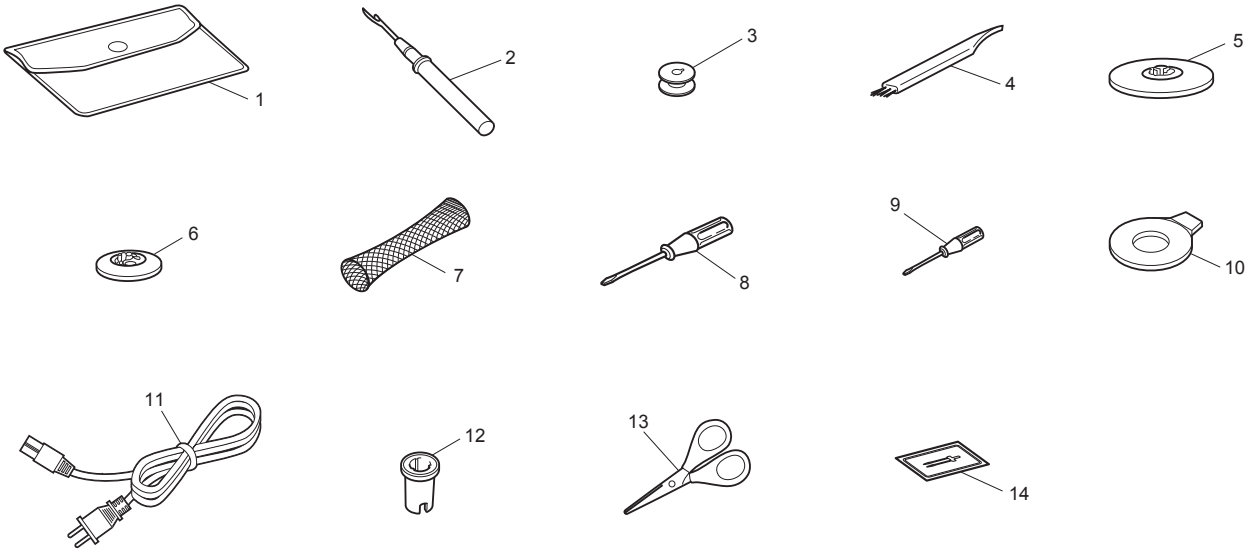
## (7) EMBROIDERY UNIT

No.	CODE	NAME	REMARKS	No.	CODE	NAME	REMARKS
1	XG7029001	EMBROIDERY UNIT SUPPLY ASSY		45	XA2144350	X BELT PRESSER	
2	XD1350050	X DRIVING GEAR PULLEY		46	XC7567051	SCREW, PAN (S/P WASHER) M4X12	
3	XE2199001	WASHER SPRING		47	027040226	WASHER EX TOOTH 4	
4	048040346	RETAINING RING E4		48	XD0448150	X SLIDER	
5	XG5237001	X PULSE MOTOR PM42S-048-BKF6		49	XC7566051	SCREW, PAN (S/P WASHER) M4X8	
6	XA8390021	SCREW		50	XD0768051	Y GUIDE SHAFT PRESSER PLATE	
7	XA2123051	TIMING BELT 60S2M494	1000056787	51	XD0769050	Y GUIDE SHAFT PRESSER	
8	XD0418051	X TENSION PULLEY ASSY		52	XG5682001	ES BASE COVER ASSY	
9	XA2127050	TENSION PULLEY		53	X59853020	RUBBER CUSHION	
10	048040346	RETAINING RING E4		54	XC8094051	RUBBER CUSHION COVER	
11	XC7566051	SCREW, PAN (S/P WASHER) M4X8		55	XC8095051	LOCK FINGER	
12	XG6322001	OIL GUARD PLATE		56	XC8096051	SPRING	
13	060300416	SCREW BIND M3X4		57	XD0455051	LOCK RELEASE LEVER	
14	XG5115001	EMB RELAY PCB ASSY NEXT F 7.4		58	XF9394001	LEAD WIRE ASSY EMB UNIT-MAIN	
15	XA2128051	X GUIDE SHAFT		59	085301017	TAPTITE BIND P M3X10	
16	XD1351050	Y DRIVING GEAR PULLEY		60	087411416	TAPTITE CUP B M4X14	
17	XD1161050	IDLE GEAR		61	XC7566051	SCREW, PAN (S/P WASHER) M4X8	
18	XE2199001	WASHER SPRING		62	XG5683001	ES MAIN COVER ASSY	
19	025060235	WASHER PLAIN M 6		63	XG5684001	X CARRIAGE COVER	
20	048040346	RETAINING RING E4		64	XG4979001	YPM COVER	
21	048030346	RETAINING RING E3		65	085301017	TAPTITE BIND P M3X10	
22	XG5238001	Y PULSE MOTOR PM35S-048-BKF3					
23	XE3234001	LEAD WIRE SUPPLY ASSY: SLEEVE					
24	XA8390021	SCREW					
25	060300416	SCREW BIND M3X4					
26	XD0438051	Y TENSION PULLEY ASSY					
27	XA2127050	TENSION PULLEY					
28	025060235	WASHER PLAIN M 6					
29	048040346	RETAINING RING E4					
30	XC8041051	TIMING BELT 40S2M530					
31	XC7566051	SCREW, PAN (S/P WASHER) M4X8					
32	XD0441151	Y CARRIAGE ASSY					
33	XD0444151	HOOP FIXED SPRING					
34	XD0445050	Y INITIAL SHUTTER					
35	060300416	SCREW BIND M3X4					
36	XA4710250	Y SLIDER					
37	XA8390021	SCREW					
38	XA2139051	Y GUIDE SHAFT					
39	103810022	WASHER, WAVE SPRING					
40	048040346	RETAINING RING E4					
41	XE0391001	CORD GUIDE ASSY					
42	060300416	SCREW BIND M3X4					
43	XD0447050	X INITIAL SHUTTER					
44	060400616	SCREW BIND M4X6					

## **(7) EMBROIDERY UNIT**

**Blank page**

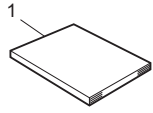
# (8) ACCESSORY PARTS



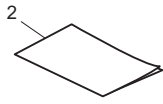




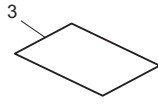
## (9) USER MANUAL / PACKAGE



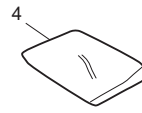
(INSTRUCTION BOOK)



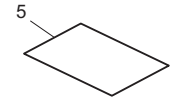
(QUICK REFERENCE GUIDE)



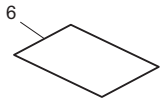
(PATTERN LIST)



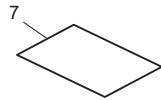
(for printed matter)



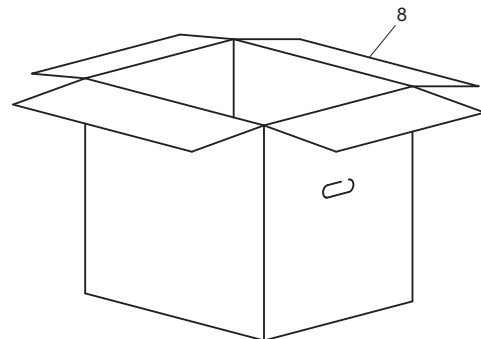
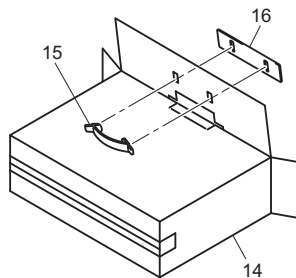
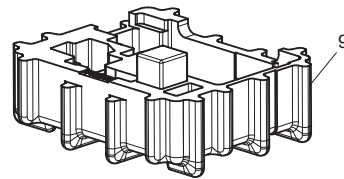
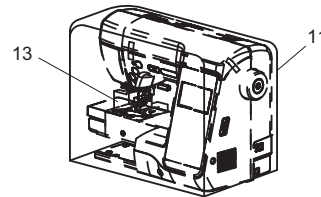
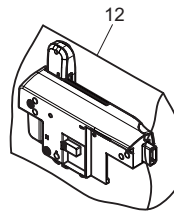
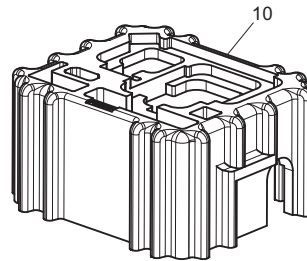
(INSERTION)



(EMB CONNECTION PORT INSERTION)



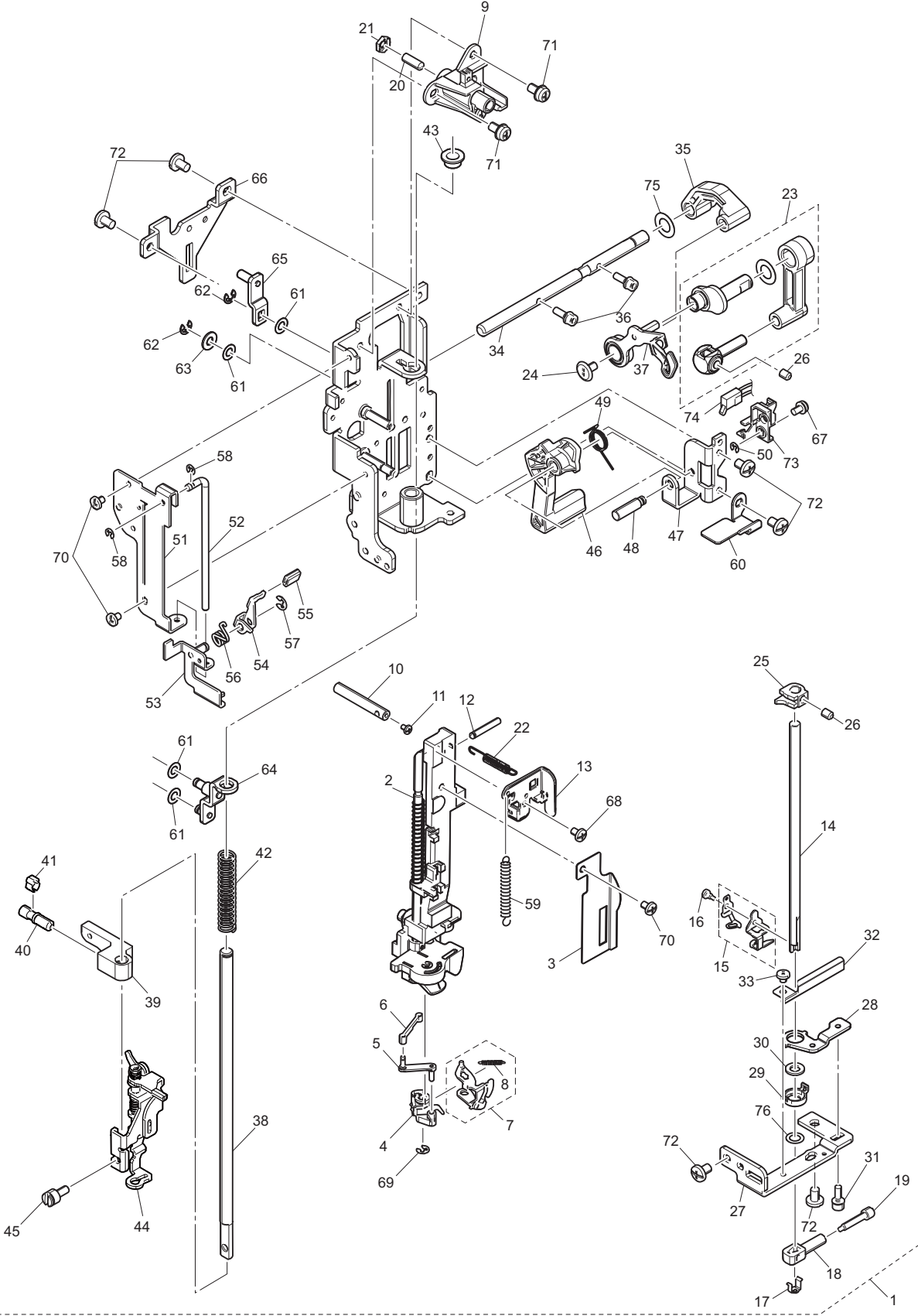
(INSERTION)



## (9) USER MANUAL / PACKAGE

No.	CODE	NAME	REMARKS
USER MANUAL			
1	XG5521001	INSTRUCTION BOOK GER (German)	
	XG5522001	INSTRUCTION BOOK FRA (French)	
	XG5523001	INSTRUCTION BOOK DUT (Dutch)	
	XG5524001	INSTRUCTION BOOK ITA (Italian)	
	XG5444101	INSTRUCTION BOOK ENG (English)	1000054987
	XG5526001	INSTRUCTION BOOK NOR (Swedish/Danish)	
	XG5527001	INSTRUCTION BOOK CEE (Czech/Polish/Romanian)	
	XG5525001	INSTRUCTION BOOK RUS (Russian)	
	XG5445101	INSTRUCTION BOOK SPA (Spanish)	
2	XG5532001	QUICK REFERENCE GUIDE EMB N/C (UK&IRE)	
	XG5446101	QUICK REFERENCE GUIDE EMB (OTHER)	1000054987
3	XG5533001	PATTERN LIST NOR/CEE (UK&IRE)	
	XG5448001	PATTERN LIST (OTHER)	
4	XA0188020	BAG 260X375HC	
5	XF0300101	INSERTION WEEE (EXCEPT: RUS, IND)	
6	XG7371001	EMB CONNECTION PORT INSERTION (RUS)	
7	XE9897001	UKRAINIAN ROHS INSERTION (RUS)	
PACKAGE			
8	XG5813101	CARTON MODEL:F440E	1000055820
9	XG5217001	BOTTOM SUPPORT SF EMB	
10	XG5216001	BODY SUPPORT SF EMB	
11	XE3838001	BAG 750X600H	
12	XE9881001	BAG 630X630H	
13	XC4762350	THREADER SUPPORT SF	
14	XG5686001	MATERIAL OF ES CARTON	
15	XC9628051	HANDLE	1000054990
16	XC8890050	HANDLE PLATE	1000054990

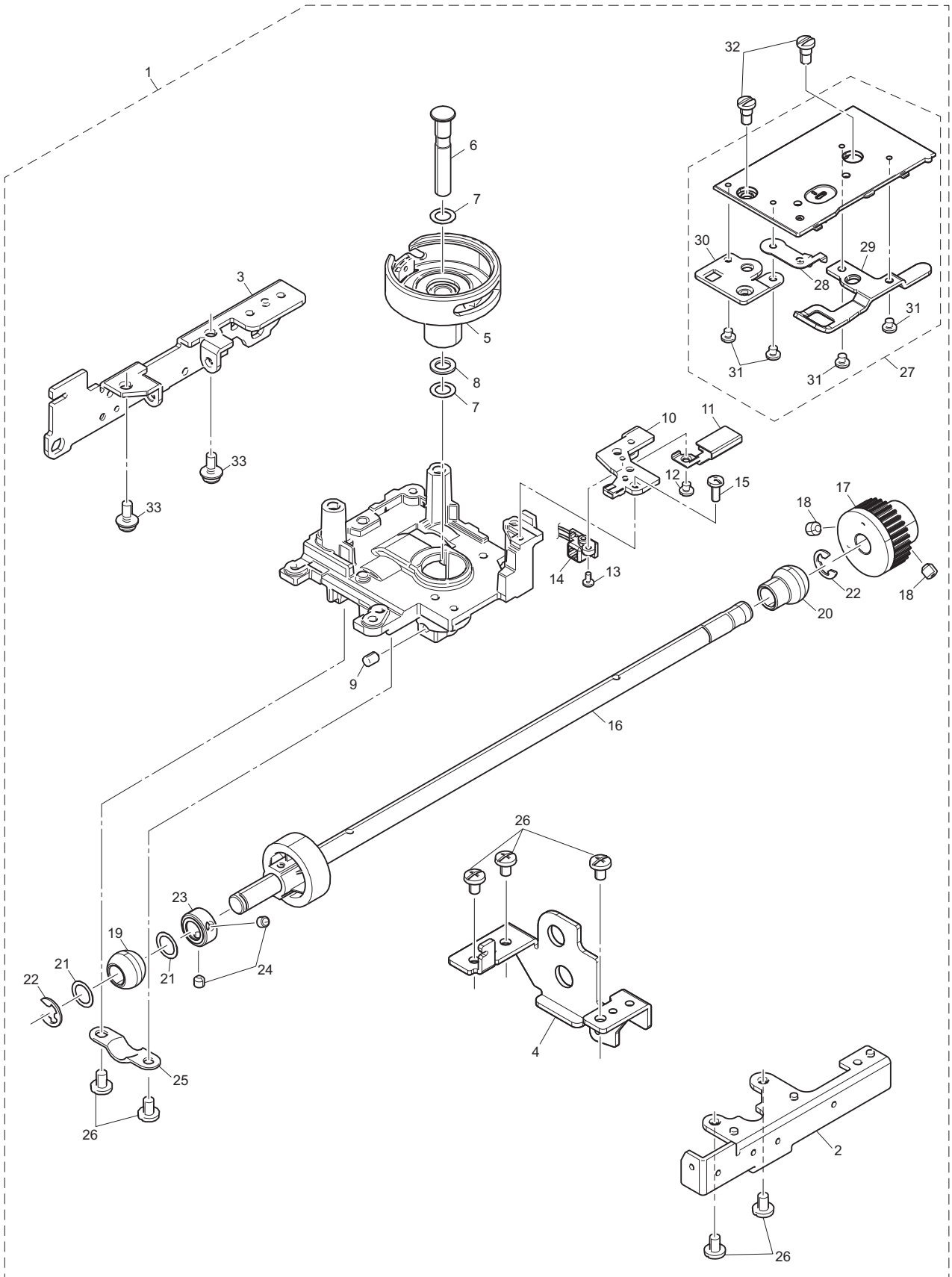
# NEEDLE-PRESSER MODULE



## NEEDLE-PRESSER MODULE

No.	CODE	NAME	REMARKS	No.	CODE	NAME	REMARKS
1	XG7047001	NEEDLE UNIT SUPPLY ASSY		45	XG1343001	SCREW SM3.57-40X8	
2	XF9473001	NEEDLE BAR SUPPORTER ASSY		46	XF8754001	PRESSER FOOT LIFTER	
3	XZ0417150	GUARD PLATE		47	XF8755001	PRESSER FOOT LIFTER HOLDER	
4	XD1550351	THREADER HOOK ASSY		48	XF8756001	PRESSER FOOT LIFTER SHAFT	
5	XD1546051	LINK A ASSY		49	XF8757001	PRESSER FOOT LIFTER SPRING	
6	XG5716001	LINK B		50	048030346	RETAINING RING E3	
7	XC9613121	THREAD GUIDE ASSY		51	XF8759001	LEVER GUIDE SHAFT HOLDER	
8	XC9616051	SPRING		52	XF8760001	LEVER GUIDE SHAFT	
9	XF8727001	SHAFT BUSHING A ASSY		53	XF8762001	LEVER A ASSY	
10	XC2419021	SHAFT		54	XC2458021	LEVER B	
11	000020416	SCREW BIND M2X4		55	XC2459020	CAP	
12	XG1370001	NEEDLE HOLDER SHAFT C		56	XC2460021	TORSION SPRING	
13	XG0742101	NEEDLE HOLDER SHAFT PLATE	1000056805	57	048030346	RETAINING RING E3	
14	XF2685001	NEEDLE BAR		58	048020346	RETAINING RING E2	
15	XE7727201	N/B THREAD GUIDE SUPPLY ASSY		59	XG2056101	SPRING	
16	X53053052	SCREW SM2.38		60	XG4319001	EMBROIDERY FOOT SPACER	
17	XC2426020	NEEDLE THREAD PLATE		61	137999020	POLYESTER SLIDER	
18	XC2427051	NEEDLE BLOCK		62	048030346	RETAINING RING E3	
19	XZ0388251	NEEDLE CLAMP SCREW		63	026040236	WASHER PLAIN M 4	
20	014401232	SET SCREW SOCKET (CP) M4X12		64	XF8789001	PRESSER ADJUSTER PLATE ASSY	
21	X56851021	LOCK NUT		65	XF8793001	PRESSER ADJUSTER ROD ASSY	
22	XC2429021	SPRING		66	XG4198001	PRESSER DIAL HOLDER	
23	XG3213001	NEEDLE BAR CRANK R SUPPLY ASSY		67	0A4300606	SCREW PAN (S/P WASHER) M3X6	
24	XE1999001	SCREW, FLAT SM3.57-40X7 L		68	060300616	SCREW BIND M3X6	
25	XC2434021	NEEDLE THREAD BLOCK		69	048025346	RETAINING RING E2.5	
26	012400432	SET SCREW SOCKET (FT) M4X4		70	060300416	SCREW BIND M3X4	
27	XF8735001	NEEDLE SUPPORTER ARM BASE		71	0A4400806	SCREW PAN (S/P WASHER) M4X8	
28	XF9567001	NEEDLE HOLDER GUIDE ASSY		72	060400616	SCREW BIND M4X6	
29	XF8737001	NEEDLE BAR FELT HOLDER		73	XG0653001	PF LIFTER SWITCH HOLDER	
30	XF3031001	NEEDLE BAR FELT		74	XG0342001	SW ASSY:PF-NEXTF	
31	XC3338021	SCREW3X8		75	X50546020	WASHER,THRUST	
32	XF8741001	THREAD GUIDE PLATE		76	137999020	POLYESTER SLIDER	1000056674
33	XC6055021	SCREW, BIND M3X3					
34	XF8743101	TAKE-UP SUPPORT SHAFT					
35	XF8744001	THREAD TAKE-UP LEVER LINK					
36	XC3037021	SCREW3X10					
37	XG3207001	THREAD TAKE-UP LEVER ASSY					
38	XF8748001	PRESSER BAR					
39	XF8749001	PRESSER BAR CLAMP					
40	XG5416001	EMB PRESS BAR CLAMP SCREW					
41	XG5417001	EMB CLAMP COLLAR					
42	XC4457051	SPRING					
43	XF8801001	PRESSER BAR BUSHING					
44	XD0474151	EMBROIDERY PRESSER ASSEMBLY					

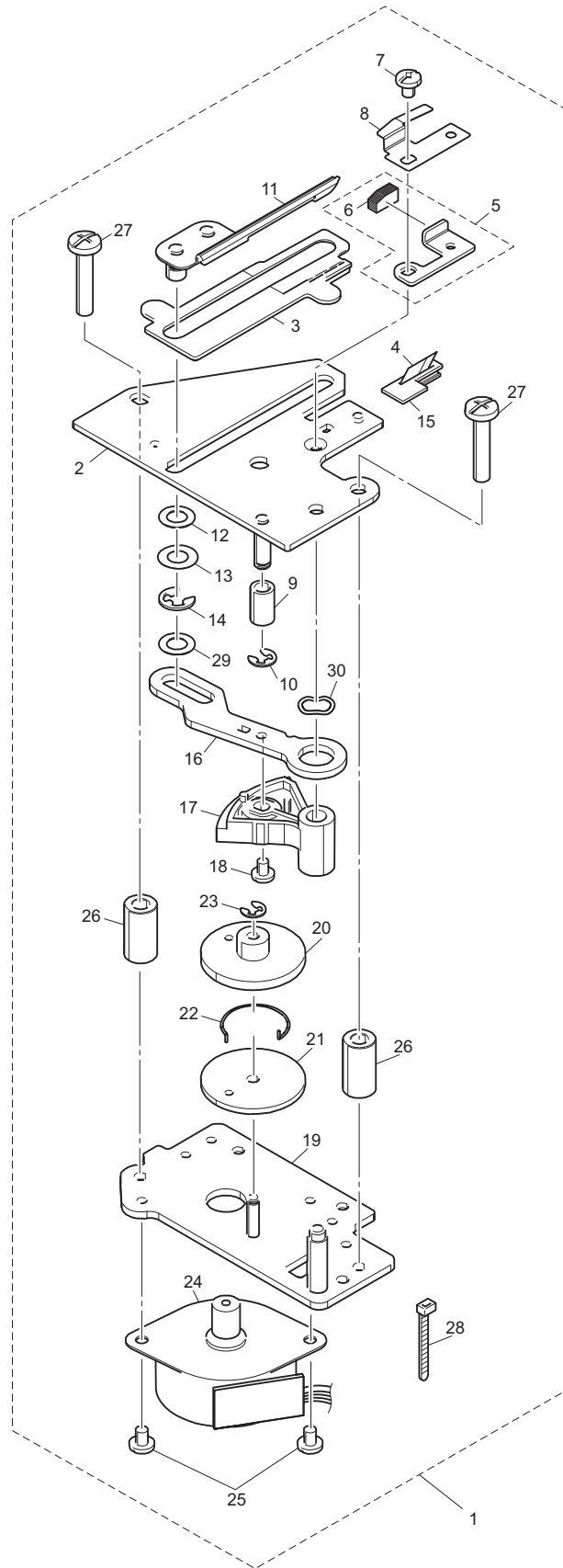
# FEED MODULE



## FEED MODULE

No.	CODE	NAME	REMARKS
1	XG7048001	FEED UNIT SUPPLY ASSY	
2	XF9571101	FEED HOLDER FRONT PLATE EMB	
3	XF8813001	FEED HOLDER REAR PLATE	
4	XF8815001	FEED HOLDER SIDE PLATE	
5	XC4141121	OUTER ROTARY HOOK ASSY	
6	XF8841001	OUTER ROTARY HOOK SHAFT	
7	137805022	SPACER	
8	137976021	WASHER 6	
9	014400632	SET SCREW SOCKET (CP) M4X6	
10	XC8406451	INNER ROTARY HOOK BRACKET ASSY	
11	XC7866351	CORD HOLDER	
12	060260316	SCREW BIND M2.6X3	
13	000020416	SCREW BIND M2X4	
14	XG0351001	PHOTO DIODE HOLDER ASSY NEXT F	
15	060300816	SCREW BIND M3X8	
16	XG5937001	LOWER SHAFT ASSY	
17	XC4943021	TIMING PULLEY D	
18	014500532	SET SCREW SOCKET (CP) M5X5	
19	X52664020	LOWER SHAFT BUSHING	
20	XE4150001	LOWER SHAFT BUSHING R	
21	X51383020	WASHER, THRUST	
22	048060346	RETAINING RING E6	
23	137768121	SET SCREW COLLAR	
24	014400432	SET SCREW SOCKET (CP) M4X4	
25	XC2567021	BUSHING PRESSER A	
26	060400616	SCREW BIND M4X6	
27	XF9573001	NEEDLE PLATE A ASSY	
28	XG3626001	STOPPER PLATE	
29	XF7695001	F GEAR STOPPER PLATE	
30	XF8850001	NEEDLE PLATE B SUPPORT PLATE	
31	060260316	SCREW BIND M2.6X3	
32	XF8851001	SCREW NEEDLE PLATE	
33	0A4400806	SCREW PAN (S/P WASHER) M4X8	

# THREAD CUTTER MODULE

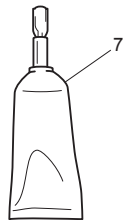
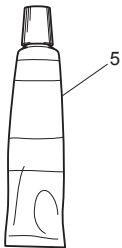
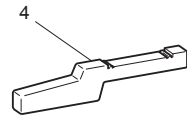
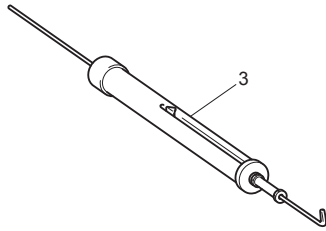
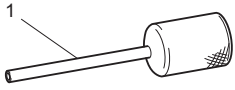


# THREAD CUTTER MODULE

No.	CODE	NAME	REMARKS
1	XG6376001	THREAD CUTTER UNIT SUPPLY ASSY	
2	XG0287001	THREAD CUTTER FRAME ASSY	
3	XC9735050	SPACER	
4	XG2930001	CUTTER BLADE ASSY	
5	XG0286001	PRESSER PLATE ASSY	
6	XE4993001	PILE 4X4	
7	060300516	SCREW BIND M3X5	
8	XC2598120	SPRING PLATE	
9	XC2587020	RUBBER	
10	048030346	RETAINING RING E3	
11	XC2583121	THREAD HOOK ASSY	
12	137713020	POLYESTER SLIDER	
13	X56731020	WASHER	
14	048040346	RETAINING RING E4	
15	XC9736050	CUTTER HOLDER	
16	XC2581221	THREAD CUTTER LEVER	
17	XG0259001	THREAD CUTTER LEVER GEAR	
18	0A4300606	SCREW PAN (S/P WASHER) M3X6	
19	XF8860001	MOTOR HOLDER ASSY	
20	XC2592020	IDLE GEAR A	
21	XC2593020	IDLE GEAR B	
22	X56323021	SPRING	
23	048020346	RETAINING RING E2	
24	XG4216001	C PULSE MOTOR PM35S-048-BKF4A	
25	060300416	SCREW BIND M3X4	
26	XC2594121	COLLAR	
27	060402016	SCREW BIND M4X20	
28	X53169020	BAND	
29	137713020	POLYESTER SLIDER	
30	XC8407020	WAVE-SHAPE SPRING WASHER	



# SPARE PARTS





**brother**

36E16HF888K92