

**brother**®

**Home Sewing Machine  
PARTS REFERENCE LIST**

**MODEL: M1034D/M1034DAV**

**MECHANISMS & ELECTRONICS**

# CONTENTS

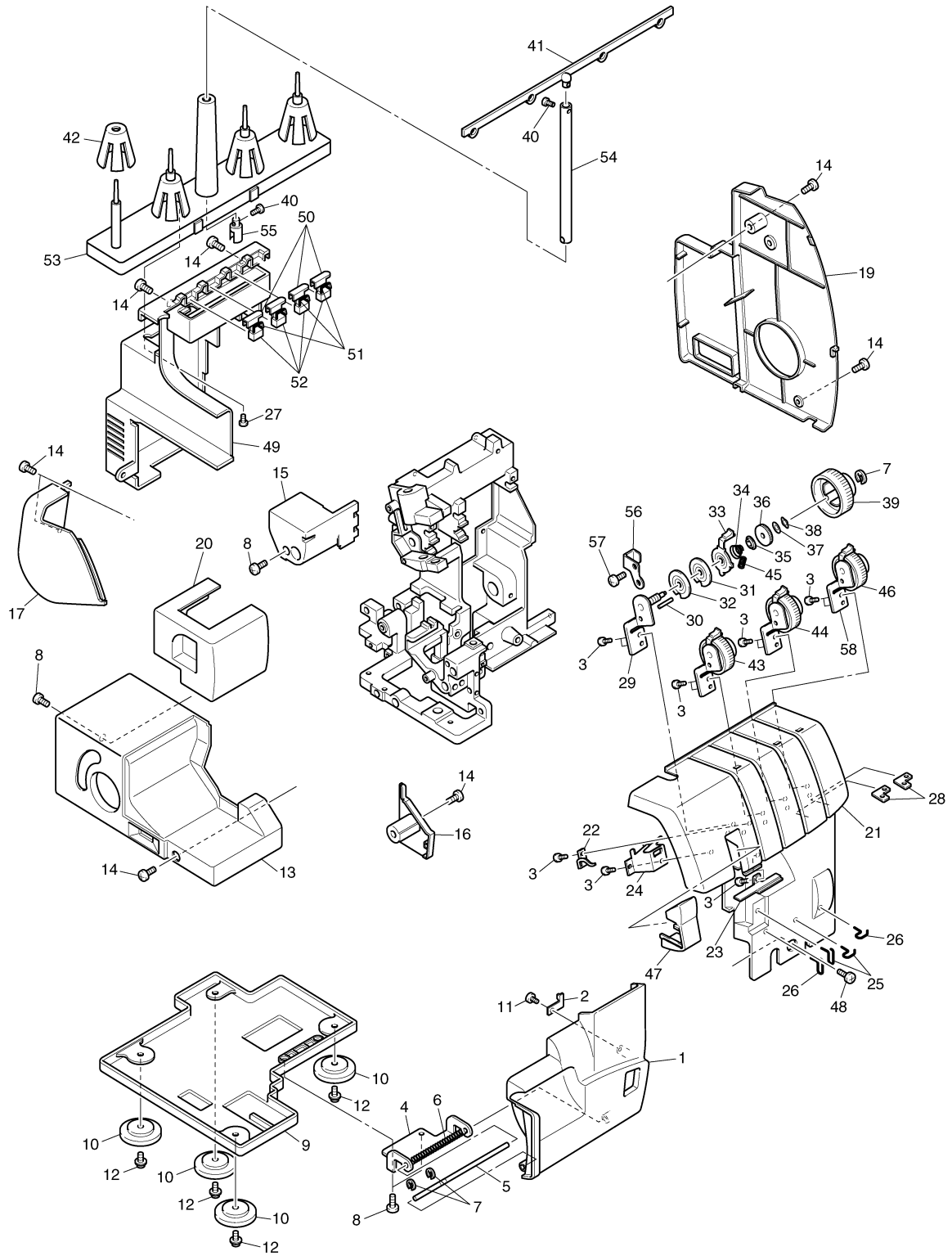
(1) PRINCIPAL PARTS.....	2
(2) NEEDLE BAR, FEED BAR AND PRESSER HOLDER .....	4
(3) KNIFE AND LOOPER .....	8
(4) LAMP, MOTOR AND ACCESSORY .....	10

**Note on parts:**

We keep performance parts for this sewing machine for at least 8 years after this model is discontinued. Performance parts are the necessary parts to maintain the function of the sewing machine.

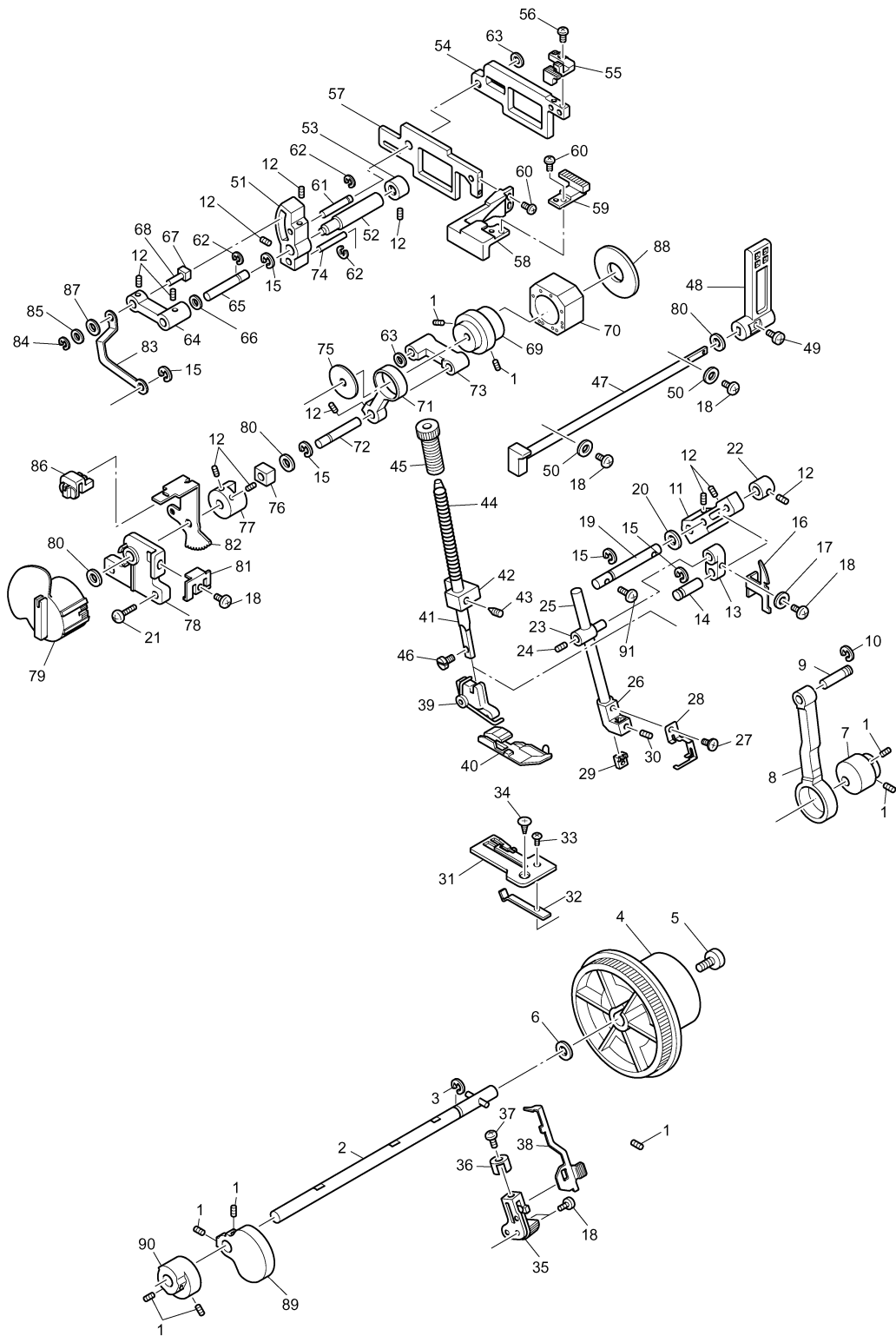
## (1) PRINCIPAL PARTS

No.	CODE	NAME	REMARKS	No.	CODE	NAME	REMARKS
1	XB0862001	FRONT COVER (OTHER)		41	X77735002	THREAD GUIDE 4	
	XB0979001	FRONT COVER A (USA, CAN, ARG, CHL, BRA)	ADD	42	126863003	SPOOL CUSHION	
2	X75632001	FRONT COVER HOOK		43	XB0898002	THREAD TENSION DIAL (PINK)	
3	037300815	TAPPING SCREW PAN V M3X8		44	XB0898003	THREAD TENSION DIAL (GREEN)	
4	XB0293001	FRONT COVER HINGE PLATE		45	XB0817001	THREAD TENSION SPRING S (UL ONLY)	
5	X77704001	FRONT COVER GUIDE SHAFT		46	XB0898004	THREAD TENSION DIAL (BLUE)	
6	127174001	FRONT COVER SPRING		47	XB0900001	THREAD TAKE-UP COVER	
7	048030342	RETAINING RING E3		48	XB0673001	SET SCREW	
8	060401206	SCREW BIND M4X12		49	XB0400002	REAR COVER ASSY	
9	XB0863001	OIL PAN		50	X77757001	THREAD RECTIFIER A	
10	XB0864000	CUSHION C	CHG	51	127392001	THREAD RECTIFIER	CHG
11	037300616	TAPPING SCREW PAN V M3X6		52	XB0134000	THREAD RECTIFIER (CUSHION)	
12	X75720001	SET SCREW		53	X77731002	SPOOL STAND BASE	
13	XB0928001	CLOTH PLATE COVER (OTHER)		54	X77733001	SPOOL STAND SHAFT	
	XB0928002	CLOTH PLATE COVER (USA, ARG, CHL, BRA, CAN)	ADD	55	X77734001	SPOOL STAND SHAFT BASE	
14	060400606	SCREW BIND M4X6		56	XB1255001	THREAD TENSION RELEASE BASS (UL ONLY)	CHG
15	XB0296002	ARM COVER		57	062300406	SCREW PAN M3X4 (UL ONLY)	
16	XB0297002	CLOTH PLATE SIDE COVER		58	XB1238001	C THREAD TENSION BASE ASSY (UL ONLY)	CHG
17	XB0865001	LAMP COVER (OTHER)					
	XB0865002	LAMP COVER (USA, ARG, CHL, BRA, CAN)	ADD				
19	XB0866001	BELT COVER					
20	XB0390002	SUB TABLE ASSEMBLY					
21	XB0888001	PANEL S ASSEMBLY					
22	X77155001	NEEDLE THREAD GUIDE A					
23	XB0890001	NEEDLE THREAD GUIDE C					
24	X77157001	NEEDLE THREAD TAKE-UP GUIDE					
25	127943001	NEEDLE THREAD GUIDE					
26	XB0533001	THREAD GUIDE L					
27	037301055	TAPPING SCREW, PAN V M3X10					
28	X77762000	LOOPER THREAD GUIDE					
29	XB0893001	THREAD TENSION BASE ASSY					
30	047251042	PIN SPRING ROLL AW2.5					
31	X77235000	TENTION DISC					
32	X77236000	TENTION DISC A					
33	XB0934001	THREAD TENSION RELEASER					
34	X77414001	SPRING					
35	X75992001	WASHER					
36	X76878000	THREAD TENSION NUT					
37	025040232	WASHER PLAIN M 4					
38	X76879000	WAVE WASHER					
39	XB0898001	THREAD TENSION DIAL (YELLOW)					
40	037200615	TAPPING SCREW PAN V M2X6					

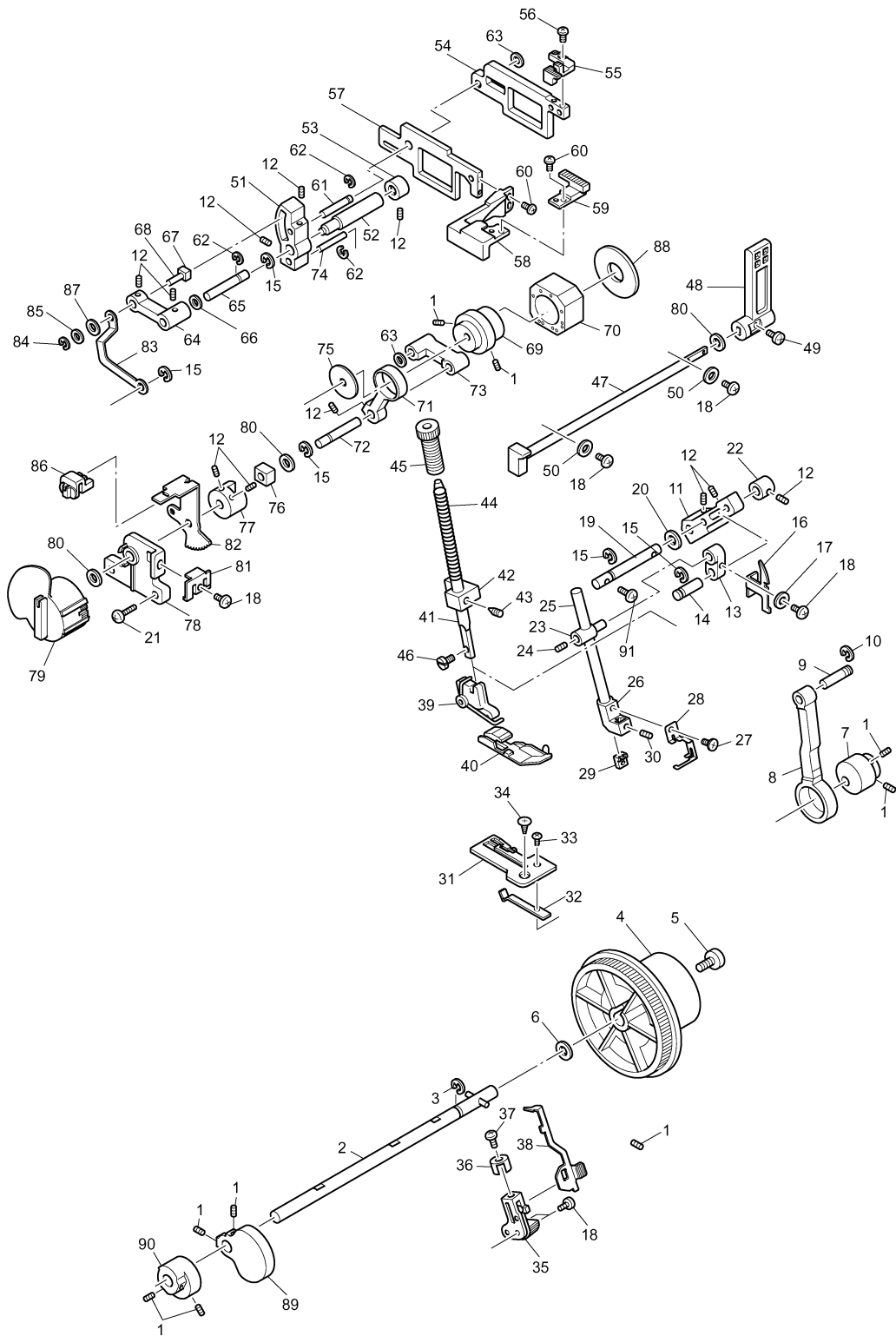


## (2) NEEDLE BAR, FEED BAR AND PRESSER HOLDER

No.	CODE	NAME	REMARKS	No.	CODE	NAME	REMARKS
1	012500632	SET SCREW SOCKET (FT) M5X6		45	142860001	PRESSER FOOT ADJUSTING SCREW	
2	XB0868001	DRIVING SHAFT ASSY		46	126851001	SET SCREW	
3	048080142	RETAINING RING EXTERNAL C8		47	XB0876001	PRESSER LIFTER SHAFT ASSY	
4	X77603002	TIMING PULLEY		48	XB0878001	PRESSER FOOT LEVER	
5	X77750001	SET SCREW		49	060300616	SCREW BIND M3X6	
6	X77604000	WASHER		50	025040332	WASHER PLAIN L 4	
7	XB0875000	NEEDLE BAR ECCENTRIC WHEEL		51	X77628000	FEED BAR LEVER	
8	138839000	NEEDLE BAR ROD		52	XB0320000	FEED BAR LEVER SHAFT	
9	138875001	ROD SHAFT		53	X75150001	COLLAR	
10	048060342	RETAINING RING E6		54	XB0321000	MAIN FEED BAR	
11	X77611000	NEEDLE BAR DRIVING LEVER		55	XB0322001	MAIN FEED DOG	
12	014400422	SET SCREW, SOCKET (CP) M4X4		56	062300604	SCREW PAN M3X6	
13	XB1276000	NEEDLE BAR CONNECTING LINK	CHG	57	XB0323000	DIFFERENTIAL FEED BAR	
14	XB0806001	NEEDLE BAR ROD SHAFT ASSY		58	XB0325000	DIFFERENTIAL FEED BASE	
15	048050346	RETAINING RING E5		59	X77763001	DIFFERENTIAL FEED DOG	
16	X77612001	THREAD TAKE-UP		60	060300806	SCREW BIND M3X8	
17	028040242	WASHER SPRING 2-4		61	127784001	GUIDE SHAFT	
18	060400606	SCREW BIND M4X6		62	048040342	RETAINING RING E4	
19	XB0560000	NEEDLE BAR SHAFT		63	025050132	WASHER PLAIN S 5	
20	100197004	WASHER		64	X77650000	ADJUSTING LINK	
21	060401206	SCREW BIND M4X12		65	X76792001	HORIZONTAL LEVER SHAFT	
22	X05286001	DRIVING ARM BUSHING		66	026060132	WASHER PLAIN S 6	
23	126656001	NEEDLE BAR CONNECTING STUD		67	X77653000	DIFERENTAL FEED ADJUSTING	
24	014060632	SET SCREW SOCKET (CP) M6X6		68	X77652000	ADJUSTING LINK SHAFT	
25	XB0672001	NEEDLE BAR		69	X77634000	FEED ECCENTRIC WHEEL	
26	XB1106001	NEEDLE CLAMP	CHG	70	X77736000	VERTICAL FEED BLOCK	
27	X76215001	SET SCREW		71	X77635000	FEED LINK	
28	XB1093001	NEEDLE BAR THREAD GUIDE	CHG	72	XB0526001	FEED LINK SHAFT	
29	XB0304001	NEEDLE PRESSER		73	XB0472000	FEED BAR LINK	
30	016400632	SET SCREW SOCKET (CN) M4X6		74	XB0474001	LINK SHAFT	
31	XB0306001	NEEDLE PLATE ASSY		75	XB0595001	FEED LINK GUIDE	
32	X77618001	FIXED NEEDLE GUARD		76	XB1400001	FEED ADJUSTING BLOCK	
33	004020506	SCREW FLAT M2X5		77	XB0559000	FEED ADJUSTING LEVER	
34	100032003	SCREW, FLAT SM4.37-40X8		78	XB0328000	FEED BASE	
35	XB0401001	STITCH HOLDER ASSY		79	XB0879001	FEED DIAL	
36	X77092001	STITCH PLATE SPRING		80	X76687000	WAVE WASHER	
37	062300406	SCREW PAN M3X4		81	X77646001	SPRING	
38	XB0309001	STITCH TONGUE		82	XB0332001	DIFFERENTIAL ADJUSTING LEVER A	
39	XB1078001	PRESSER HOLDER ASSEMBLY		83	XB0334000	DIFFERENTIAL ADJUSTING LINK	
40	XB0316001	PRESSER FOOT ASSY		84	048030342	RETAINING RING E3	
41	126660001	PRESSER BAR		85	025040232	WASHER PLAIN M 4	
42	127198000	PRESSER BAR BRACKET		86	XB0335002	DIFFERENTIAL CONTROL LEVER	
43	100058003	SET SCREW 5.95					
44	X77621001	PRESSER BAR SPRING					



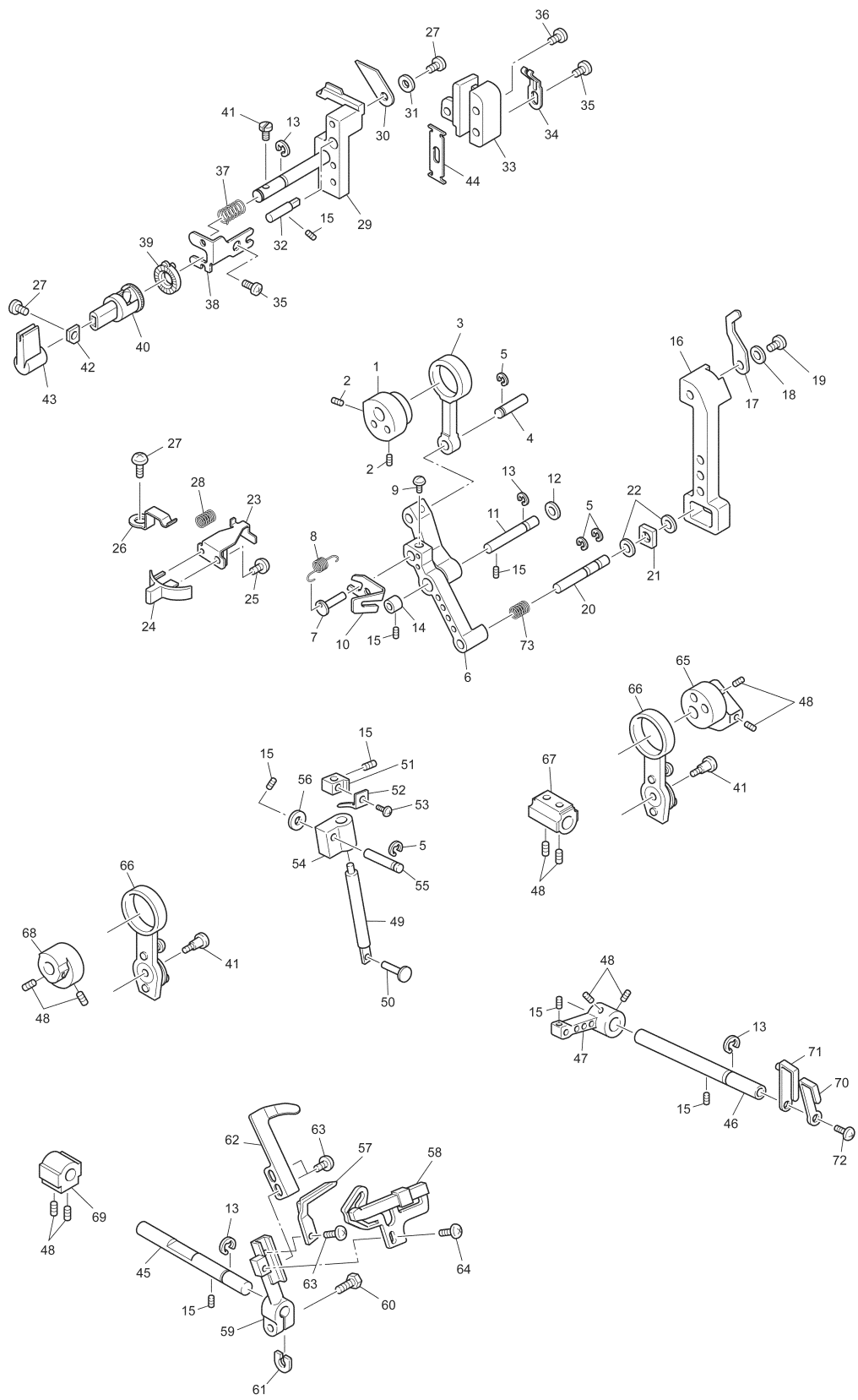






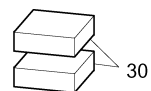
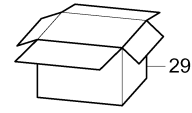
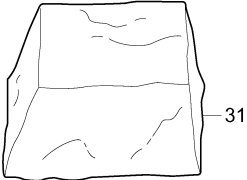
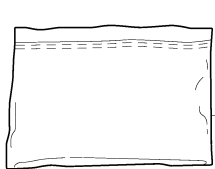
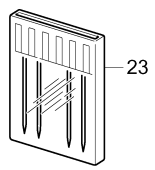
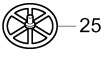
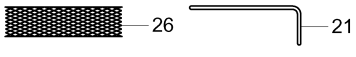
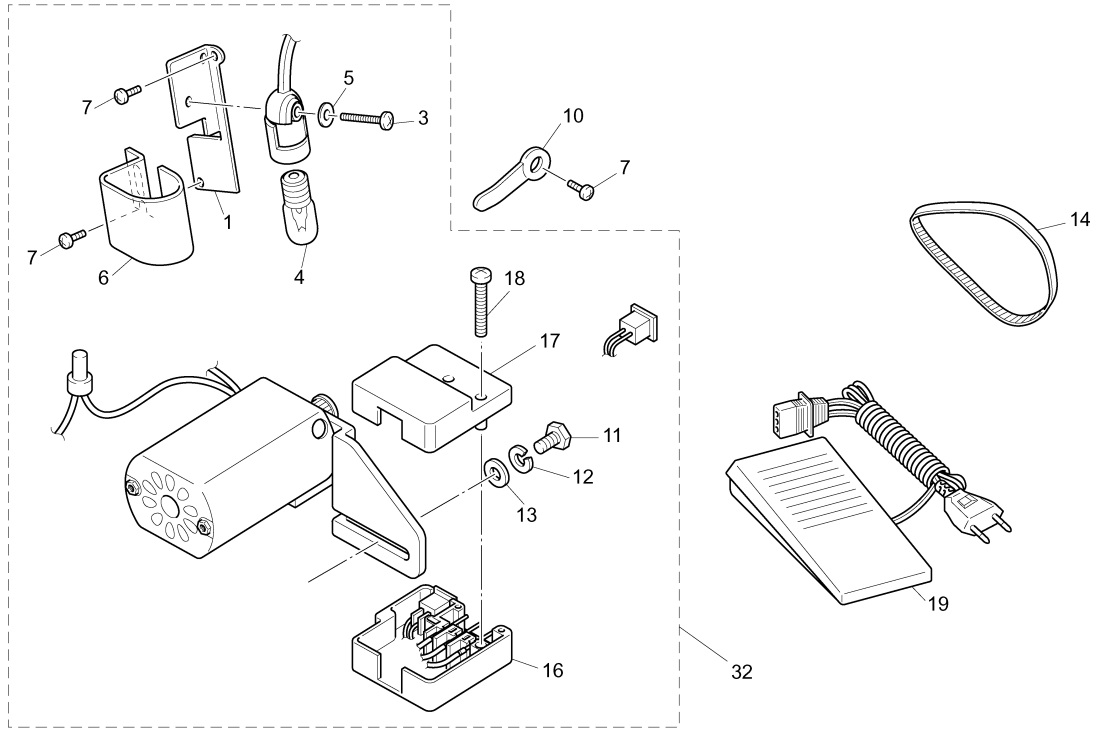
### (3) KNIFE AND LOOPER

No.	CODE	NAME	REMARKS	No.	CODE	NAME	REMARKS
1	XB0337050	UPPER KNIFE ECCENTRIC WHEEL		45	XB0532000	LEVER PLATE SHAFT	
2	012500632	SET SCREW SOCKET (FT) M5X6		46	X77685000	UNDER LOOPER LEVER SHAFT	
3	XB0338050	UPPER KNIFE LINK		47	X77689001	OL SHAFT LEVER	
4	XB0340051	UPPER KNIFE LINK SHAFT		48	012500632	SET SCREW SOCKET (FT) M5X6	
5	048040342	RETAINING RING E4		49	XB1693001	O.L SHAFT	1000001999
6	XB0561051	UPPER KNIFE ARM ASSY		50	127785001	OVER LOOPER STUD SHAFT	
7	XB0346050	CONNECT PIN		51	X77772001	OVERLOOPER BASE	
8	XB0347051	CONNECT PIN SPRING		52	X77781001	OVERLOOPER	
9	060300406	SCREW BIND M3X4		53	XB1034001	SCREW	
10	XB0348051	CANCEL PLATE		54	X76766001	OVER LOOPER	
11	XB0343001	UPPER KNIFE FULCRUM SHAFT		55	127784001	GUIDE SHAFT	
12	025080132	WASHER PLAIN S 8		56	025710235	WASHER PLAIN M SM4.76	
13	048060342	RETAINING RING E6		57	X77774001	LOWER LOOPER	
14	X75150001	COLLAR		58	X77775003	UL THREAD GUIDE BASE ASSEMBLY	
15	014400422	SET SCREW, SOCKET (CP) M4X4		59	XB0641001	UNDER LOOPER LEVER	
16	XB0356050	UPPER KNIFE HOLDER		60	017501615	BOLT M5X16	
17	XB0563001	UPPER		61	X05281001	WASHER	
18	025040232	WASHER PLAIN M 4		62	XB0371001	MOVABLE NEEDLE GUARD	
19	060400806	SCREW BIND M4X8		63	062300504	SCREW PAN M3X5	
20	XB0350051	UPPER KNIFE ARM SHAFT		64	060300616	SCREW BIND M3X6	
21	XB0351050	UPPER BLADE BLOCK		65	XB0597000	OVER LOOPER ROD ECCENTRIC WHEEL	
22	026060132	WASHER PLAIN S 6		66	X77559001	LOOPER ROD ASSY	
23	XB0361051	LEVER PLATE ASSY		67	X77694000	OVER LOOPER DRIVING LEVER	
24	XB0364052	BLADE LEVER		68	XB0375000	UNDER LOOPER ROD ECCENTRIC WHEEL	
25	037300815	TAPPING SCREW PAN V M3X8		69	XB0531000	UNDER LOOPER DRIVING LEVER	
26	XB0365051	LEVER PLATE SPRING		70	X77726001	LOOPER THREAD TAKE-UP A	
27	060400606	SCREW BIND M4X6		71	X77727001	LOOPER THREAD TAKE-UP B	
28	XB0573001	LEVER SPRING		72	X75721001	SET SCREW	
29	XB0368051	LOWER BLADE HOLDER		73	XB0615001	SPRING	
30	X77683001	LOWER KNIFE					
31	025040232	WASHER PLAIN M 4					
32	X76737001	LOWER BLADE GUIDE SHAFT					
33	XB0355050	UPPER KNIFE HOLDER GUIDE					
34	XB0564051	UPPER BLADE HOLDER PLATE SPRING					
35	060400416	SCREW, BIND M4X4					
36	060401606	SCREW BIND M4X16					
37	XB0369051	LOWER BLADE SPRING					
38	XB0358051	DIAL PLATE					
39	XB0554052	BLADE CONTROL PLATE					
40	XB0357052	BLADE CONTROL DIAL ASSY					
41	X75317001	STUD SHAFT					
42	127254001	PLATE NUT					
43	XB0528002	STITCH WIDTH LEVER					
44	XB0571001	UPPER KNIFE PRESSER PLATE					

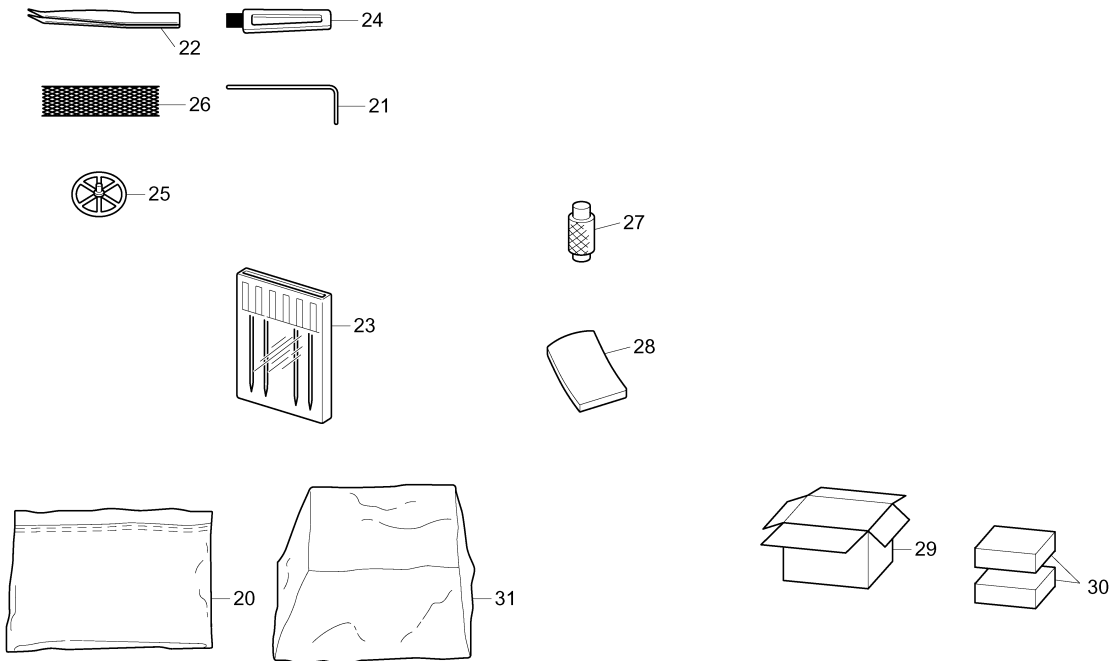
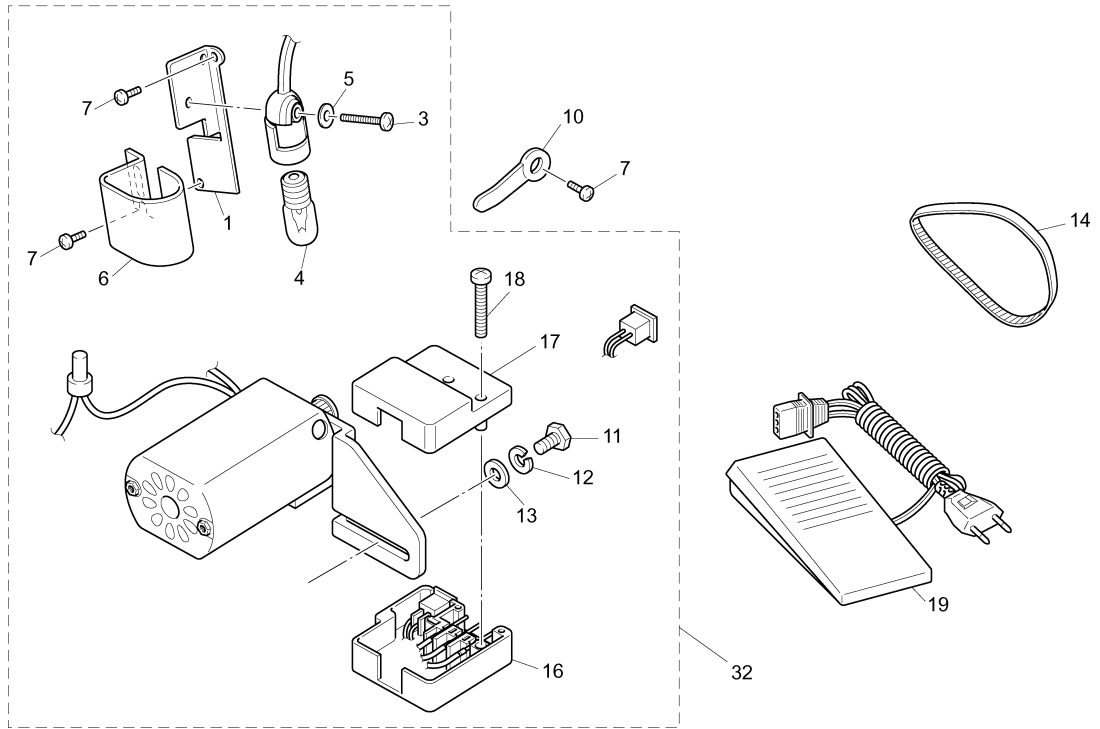


## (4) LAMP, MOTOR AND ACCESSORY

No.	CODE	NAME	REMARKS	No.	CODE	NAME	REMARKS
1	X77710000	LAMP PLATE		27	XB0133001	THREAD (YELLOW) (USA, ARG CHL, BRA, CAN)	
2	<del>XB0737001</del>	LAMP (USA, BRA, CAN)	1000010984		XB0133002	THREAD (RED) (USA, ARG CHL, BRA, CAN)	
	<del>XB0741001</del>	LAMP (AUS, NZL)	1000010984		XB0133003	THREAD (GREEN) (USA, ARG CHL, BRA, CAN)	
	<del>XB0998001</del>	LAMP EC ASSEMBLY (OTHER)	1000010984		XB0133004	THREAD (BLUE) (USA, ARG CHL, BRA, CAN)	
3	062302006	SCREW PAN M3X20 (USA, BRA, CAN)		28	193345011	INSTRUCTION MANUAL (USA, ARG, CHL, IRL, UK, SWE, SPA, DEN, HKG, SIN, AUS, NZL, CAN, BEL)	CHG
	062300406	SCREW PAN M3X4 (OTHER)			XB1036001	INSTRUCTION MANUAL (UK, FRA, HOL, SWI, CAN)	ADD
4	X53061050	SEW-LIGHT BULB (USA, BRA, CAN)			XB1036002	INSTRUCTION MANUAL (GER, AUT, ITA, SWI, EEU)	ADD
	205336050	SEW-LIGHT BULB L-4 (OTHER)			XB1107001	INSTRUCTION MANUAL (FIN)	ADD
5	025350332	WASHER PLAIN L 3.5 (USA, BRA, CAN)			XB1517001	INSTRUCTION MANUAL (RUS)	
6	X77423000	LAMP COVER PLATE		29	XB1124001	CARTON (USA, BRA)	1000005917
7	060400606	SCREW BIND M4X6			XB1087001	CARTON (AUS, NZL)	ADD
8	<del>XB0901001</del>	SWITCH ASSEMBLY (USA, BRA, CAN)	1000010984		XB1682001	CARTON (RUS)	060137
	<del>XB0905001</del>	SWITCH ASSEMBLY (OTHER)	1000010984		XB1083001	CARTON (CAN, CHL, ARG)	1000001784
9	<del>X77076001</del>	CONNECTOR	1000010984		XB1782001	CARTON (OTHER)	1000011781
10	XA0286051	WIRE CLIP		30	XB0923001	STYROFOAM ASSY (OTHER)	
11	103741001	BOLT			XB0923002	STYROFOAM ASSY (KOR)	
12	203735001	WASHER			XB1790001	STYROFOAM ASSY (BRA)	1000005917
13	100197004	WASHER		31	X77871000	SOFT COVER	
14	X77826001	TIMING BELT			<del>220036000</del>	WASHER	1000002135
15	<del>XB0908001</del>	MOTOR YM-261-12 (OTHER)	1000010984		X77402001	GAUGE SET	ADD
	<del>XB0913101</del>	MOTOR YM43C (USA, BRA, CAN)	1000010984		X77419001	GAUGE	ADD
	<del>XB0918001</del>	MOTOR YM-261-12 (AUS, NZL)	1000010984		<del>X76346001</del>	BLIND FOOT	1000000898
	<del>XB0920001</del>	MOTOR YM260-12 (ARG, CHL)	1000010984		XB1366101	INSERTION SHEET EEE (IRL, GER, FRA, HOL, AUT, SPA, ITA, FIN, SWI, DEN, EEU, RUS, BEL, UK)	1000004120
	<del>XB1057001</del>	MOTOR YM260-12 (KOR)	1000010984		UH385100	WARRANTY CARD EUR (IRL, GER, FRA, HOL, AUT, ITA, FIN, SWI, DEN, EEU, BEL, UK)	1000000898
16	XB0910001	3P SOCKET BODY			XC0381051	WARRANTY CARD (USA)	
17	XB0911001	3P SOCKET COVER			XC6402051	WARRANTY CARD (UK)	
18	037401815	TAPPING SCREW, PAN V M4X18			<del>XE5609101</del>	<del>WARRANTY CARD 5YEARS ITA (ITA)</del>	<del>1000013378</del>
19	XC6663151	FOOT CONTROLLER:FC-317-25-LF (USA, CAN)			XE5572001	WARRANTY CARD BROTHER RUS (RUS)	1000010023
	XD1860051	FOOT CONTROLLER:FC-307-54 (OTHER)	050034		XE5652001	WARRANTY CARD BROTHER ARG (ARG)	1000011223
	XD1898051	FOOT CONTROLLER:FC-307-55 (UK, HKG, IRL)	1000004070		LW3135001	CEE WARRANTY CARD (EEU)	1000011500
	XC9634051	FOOT CONTROLLER:FC-317-56 (AUS, NZL)	CHG		XE2895001	OPTIONAL 5YEAR WARRANTY CARD (UK)	1000004069
	XD1899051	FOOT CONTROLLER:FC-307-62 (GER)	050034		XE5611001	REGISTRATION CARD ITA (ITA)	1000010089
	XD0107151	FOOT CONTROLLER:FC-307-71 (ARG)	1000008317				
	XA6426151	FOOT CONTROLLER:FC-307-65 (KOR)	CHG				
	XE3414001	FOOT CONTROLLER:KD-1902 BRZ (BRA)	1000005917				
20	122991052	ACCESSORY BAG	050328				
21	X77128002	HEXAGONAL WRENCH					
22	X75902001	PINCETTE					
23	X75917001	NEEDLE SET ASSEMBLY					
24	X75906001	BRUSH					
25	X77260000	CAP					
26	X75904000	NET					







**brother**®

M1034D/M1034DAV  
HF884345

11. 2000.  
04. 2009.