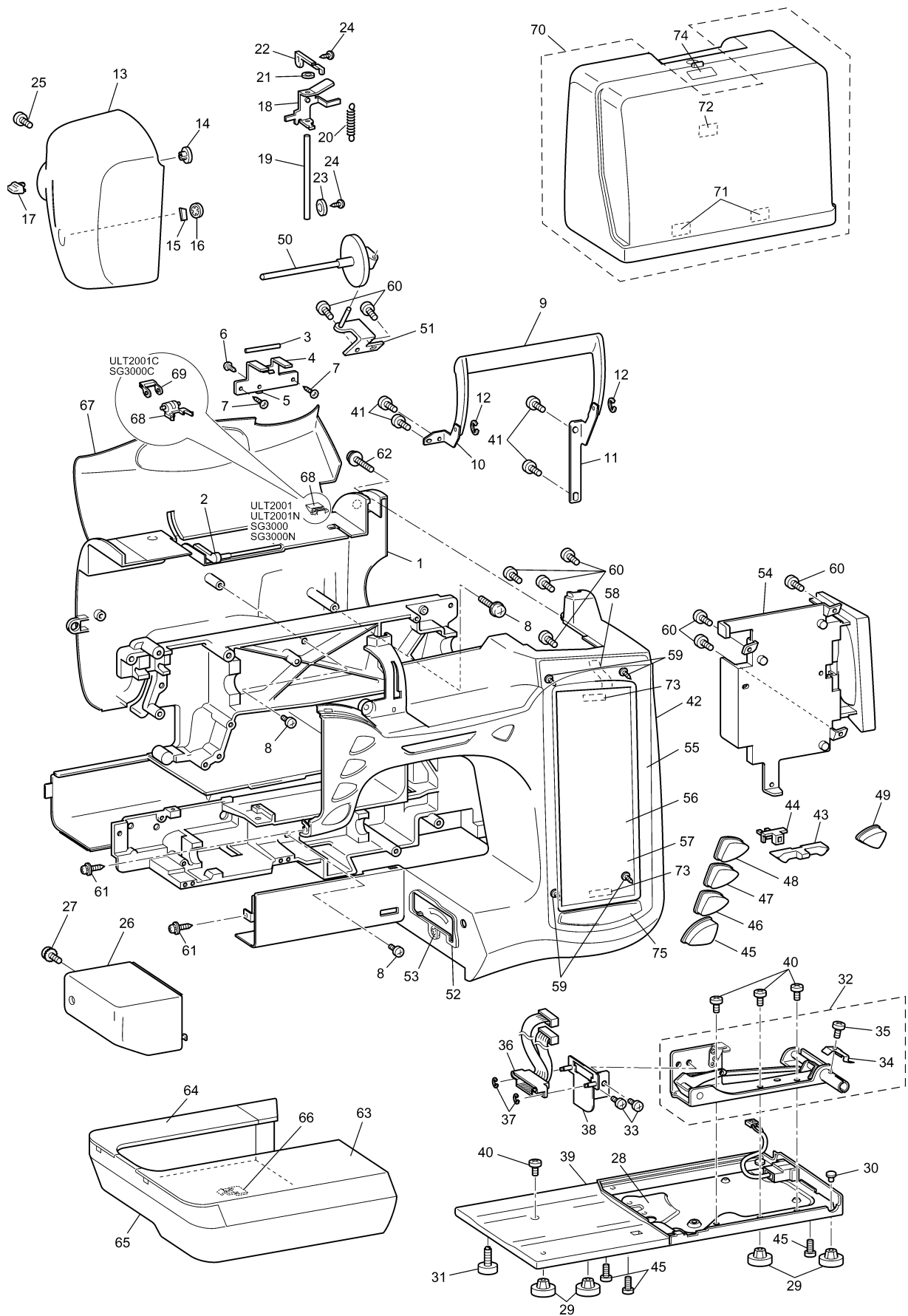


PARTS CATALOGUE FOR COMPUTERIZED SEWING MACHINE

ULT2001
ULT2001N
ULT2001C
M3000
M3000N
M3000C

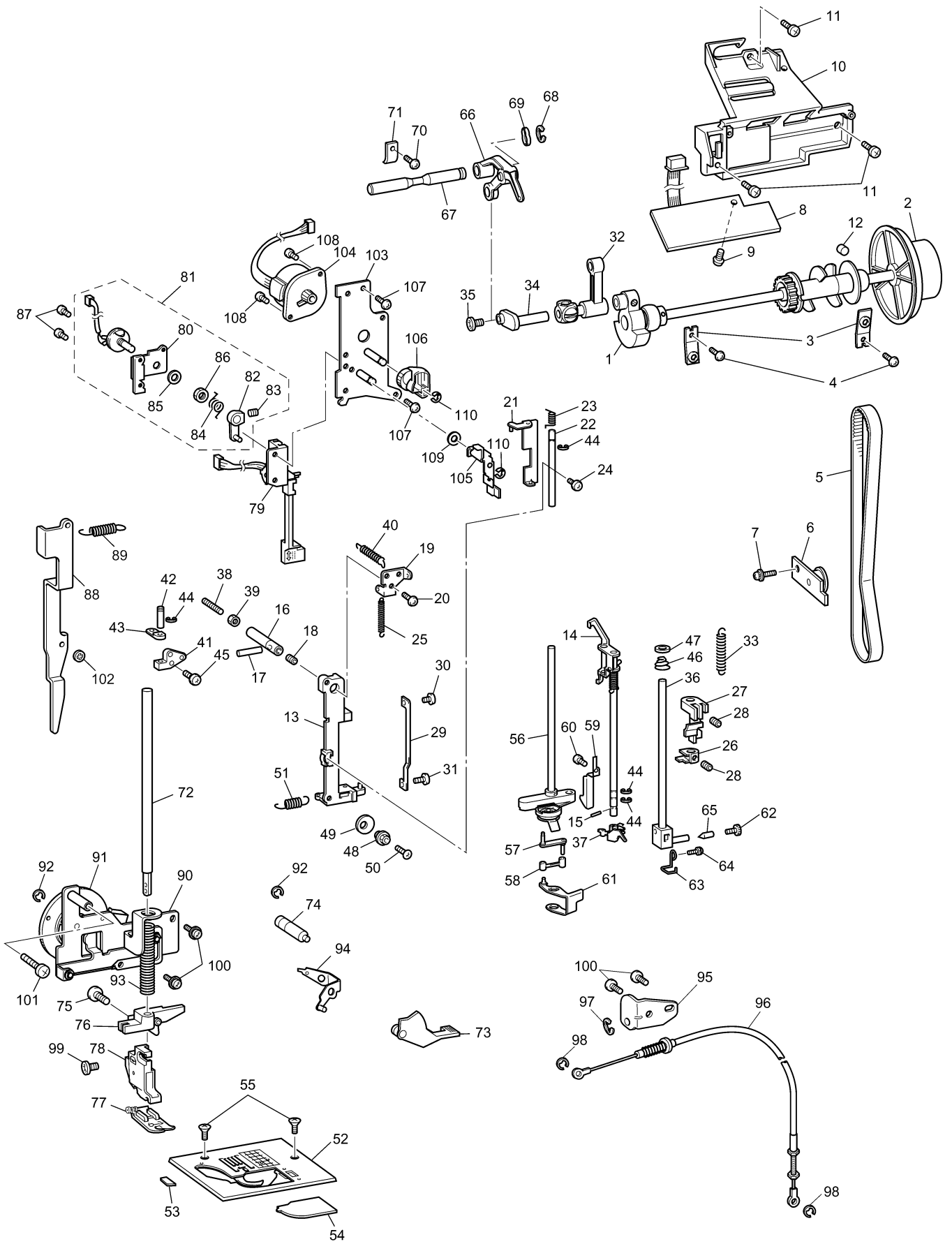
CONTENTS

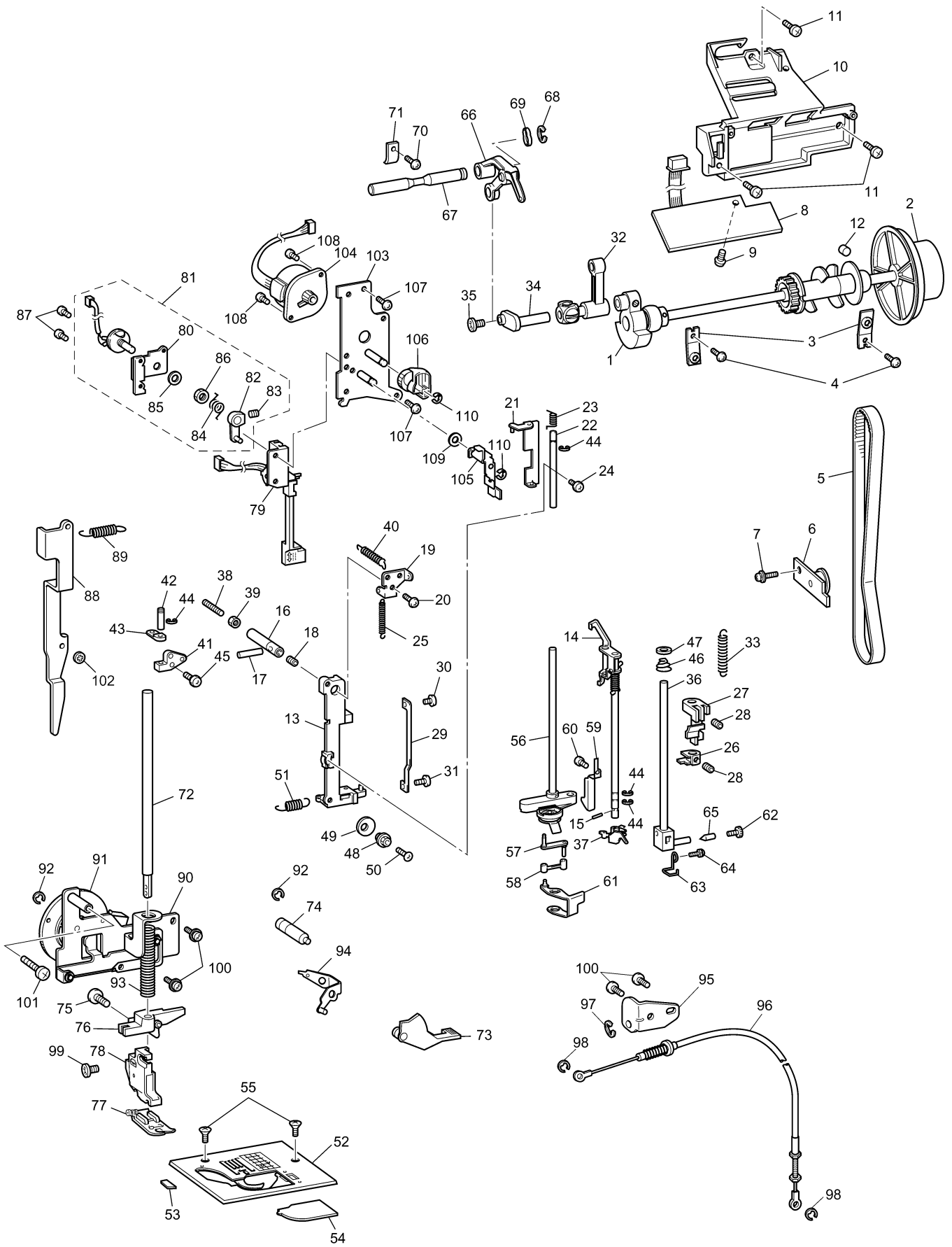
(1) PRINCIPAL PARTS	2
(2) UPPER SHAFT / NEEDLE BAR / THREAD TENSION / PRESSER AND ZIGZAG MECHANISM	4
(3) HORIZONTAL FEED / FEED ADJUSTMENT AND SIDE FEED MECHANISM	8
(4) THREAD CUTTING / ROTARY HOOK DRIVE / ROTARY HOOK / BOBBIN WINDER AND THREAD GUIDE MECHANISM	10
(5) LAMP MECHANISM / ELECTRONIC PARTS / MOTOR UNIT	14
(6) EMBROIDERY UNIT	16
(7) ATTACHMENTS, PRINTED MATTER, PACKING MATERIALS	18



(2) UPPER SHAFT / NEEDLE BAR / THREAD TENSION / PRESSER AND ZIGZAG MECHANISM

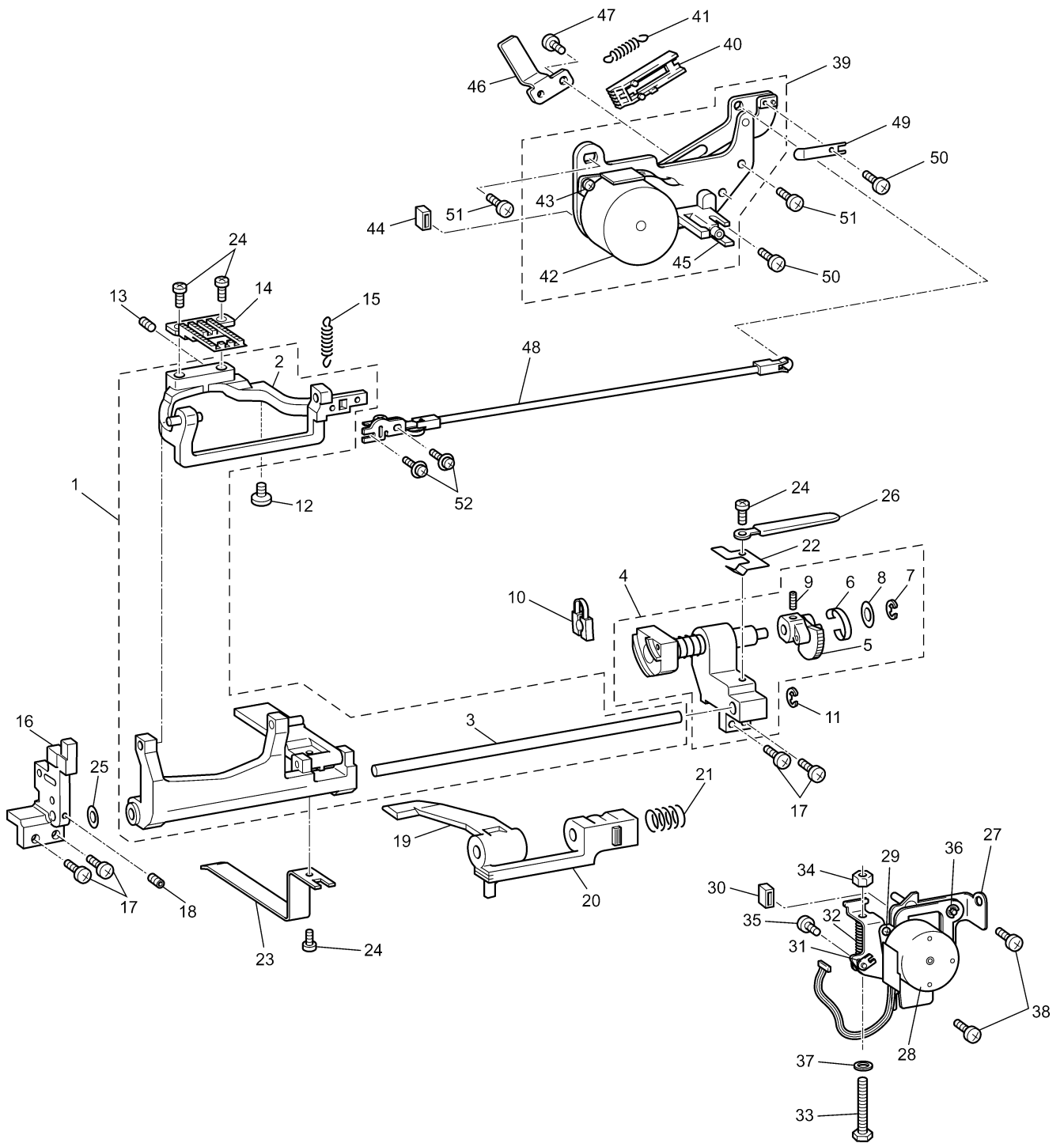
No.	CODE	NAME	REMARKS	No.	CODE	NAME	REMARKS
UPPER SHAFT MECHANISM							
1	XA9416001	UPPER SHAFT COMPLETE		43	X56464001	NEEDLE BAR SUPPORTER ARM STOP	
2	XA9418001	PULLEY		44	048025346	RETAINING RING, E2.5	
3	X52478001	BUSHING PRESSER		45	052401406	SCREW PAN (S/P WASHER) M4X14	
4	X57908051	TAPTITE,BIND S M4X10		46	X57822101	NEEDLE BAR PRESSER SPRING	
5	X53125001	T BELT 176XL031		47	X58511150	WASHER,THRUST	
6	XA9425151	TENSION PULLEY ASSEMBLY		48	X50559050	ZIGZAG ADJUSTING NUT	
7	0A5401005	SCREW, PAN (S/P WASHER) M4X10		49	XA1860150	WASHER	
8	XA9427001	ASSY, NP PCB		50	062301006	SCREW, PAN M3X10	
9	138433001	TAPTITE,PAN B M3X6		51	XA1861051	SPRING	
10	XA9430151	PC BOARD HOLDER		52	XA9438201	NEEDLE PLATE ASSY	
11	060400816	SCREW, BIND M4X8		53	X80321001	NT LOWER THREAD CUTTER	
12	XC3183001	FELT (; ULT2001C, S.G.3000C)		54	X56828151	NEEDLE PLATE COVER	
NEEDLE BAR MECHANISM							
13	XA5832151	NEEDLE BAR SUPPORT ASSY		55	X50487001	SCREW M4	
14	XC4100051	NEEDLE THREAD SHAFT A ASSY		56	XA5920101	THREAD HOLD GUIDE ASSY	
15	131281001	PIN, DOWEL 2X6		57	XA3565051	LINK A ASSY	
16	XA1842051	NEEDLE BAR SUPPORTER STUD A		58	XA3569001	LINK B	
17	X56551050	NEEDLE BAR SUPPORTER STUD C		59	XA5851000	HOOK RELEASE PLATE	
18	014400432	SET SCREW, SOCKET (CP) M4X4		60	060260516	SCREW, BIND M2.6X5	
19	XA1843150	SET PLATE		61	XA5852001	THREAD GUIDE ASSY	
20	060300616	SCREW, BIND M3X6		62	XZ0002051	NEEDLE CLAMP SCREW	
21	XA1844151	NEEDLE RELEASE LEVER ASSY		63	XA1851000	NEEDLE BAR THREAD GUIDE	
22	XA1847051	NEEDLE RELEASE LEVER SHAFT		64	008020306	SCREW, TRUSS M2X3	
23	XA1848051	SPRING		65	XA6035001	PIN	
24	0A2300806	SCREW 3X8B		THREAD TENSION MECHANISM			
25	XA5837101	SPRING		66	XA9441051	THREAD TAKE-UP LEVER ASSY	
26	X55983150	NEEDLE THREADER POSITION SETTE		67	XC0397051	THREAD TAKE-UP LEVER STUD	
27	X55984101	NEEDLE BAR HOOK STAND ASSY		68	048050346	RETAINING RING, E5	
28	012400432	SET SCREW, SOCKET (FT) M4X4		69	XA1866051	WASHER,SPRING	
29	X55990001	NEEDLE BAR GUIDE		70	X57913051	TAPTITE,BIND S M4X16	
30	060300416	SCREW, BIND M3X4		71	XA9929051	SHAFT PRESSER PLATE	
31	061300516	SCREW M3 X 5		PRESSER MECHANISM			
32	XA9431051	NEEDLE BAR CRANK ROD ASSY		72	XA5854001	PRESSER BAR	
33	X58237001	SPRING		73	XA5511251	PRESSER FOOT LIFTER	
34	XA9434051	NEEDLE BAR CRANK		74	XA6190001	STUD FOR PRESSER FOOT LIFTER	
35	132051001	SCREW, FLAT SM3.57-40X7 L		75	X52760051	SET SCREW,PAN M6X12	
36	XA1849201	NEEDLE BAR ASSY		76	XA1870151	NEEDLE CLAMP ASSY	
37	XA5838001	THREADER HOOK ASSY		77	137748101	PRESSER FOOT (; ULT2001, ULT2001N, S.G.3000, S.G.3000N)	
38	014401632	SET SCREW, SOCKET(CP)M4X16			XC3021051	Z FOOT (; ULT2001C, S.G.3000C)	
39	X56851051	LOCK NUT		78	XA4789001	PRESSER FOOT HOLDER ASSY (; ULT2001, ULT2001N, S.G.3000, S.G.3000N)	
40	XA1856051	SPRING			XC2242051	PRESSER FOOT HOLDER ASSY (; ULT2001C, S.G.3000C)	
41	XA9436151	H SHAFT HOLDER ASSY		79	XA9925001	BH SWITCH ASSY	
42	XA1859051	NEEDLE BAR SUPPORTER STUD					





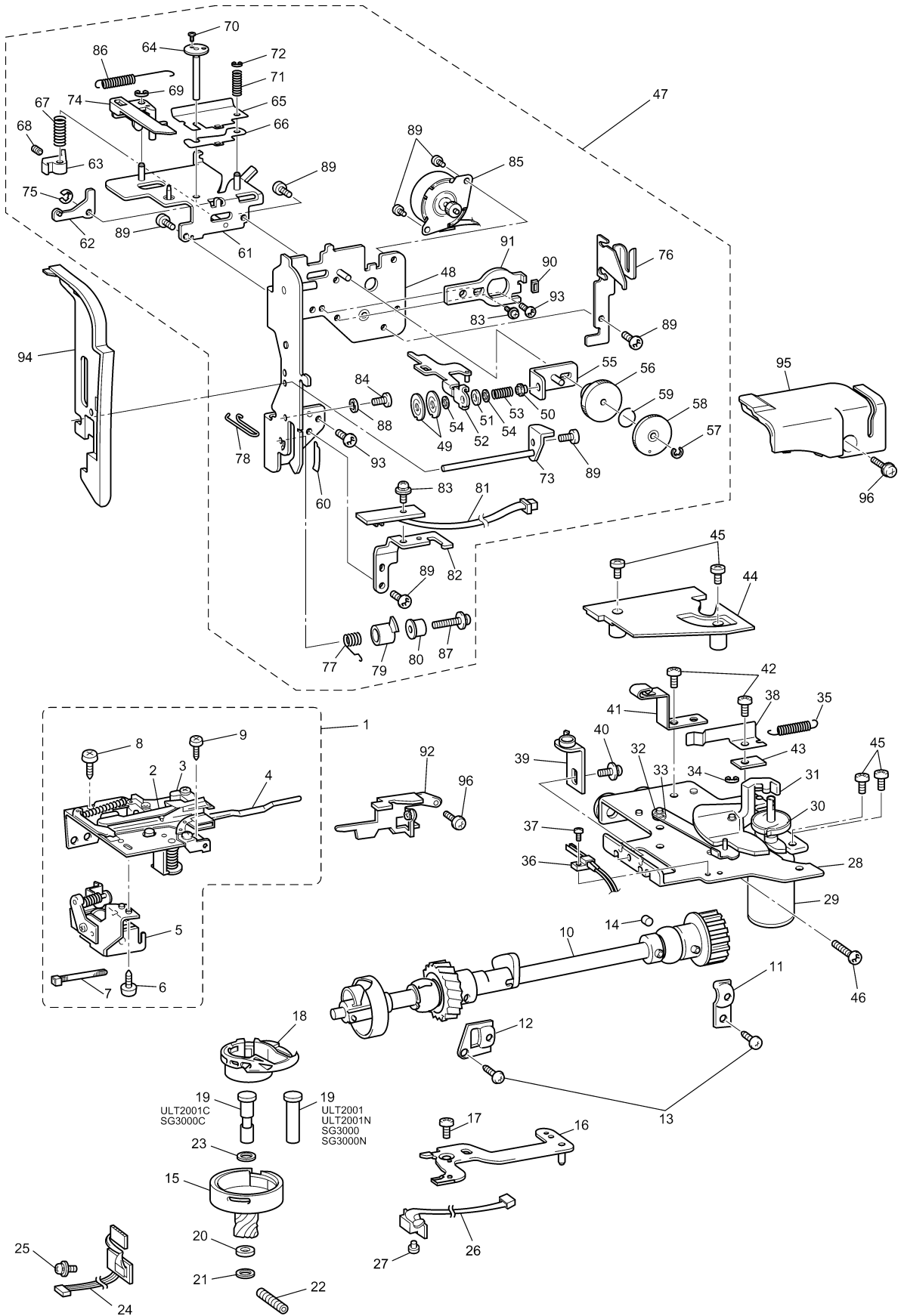
(3) HORIZONTAL FEED / FEED ADJUSTMENT AND SIDE FEED MECHANISM

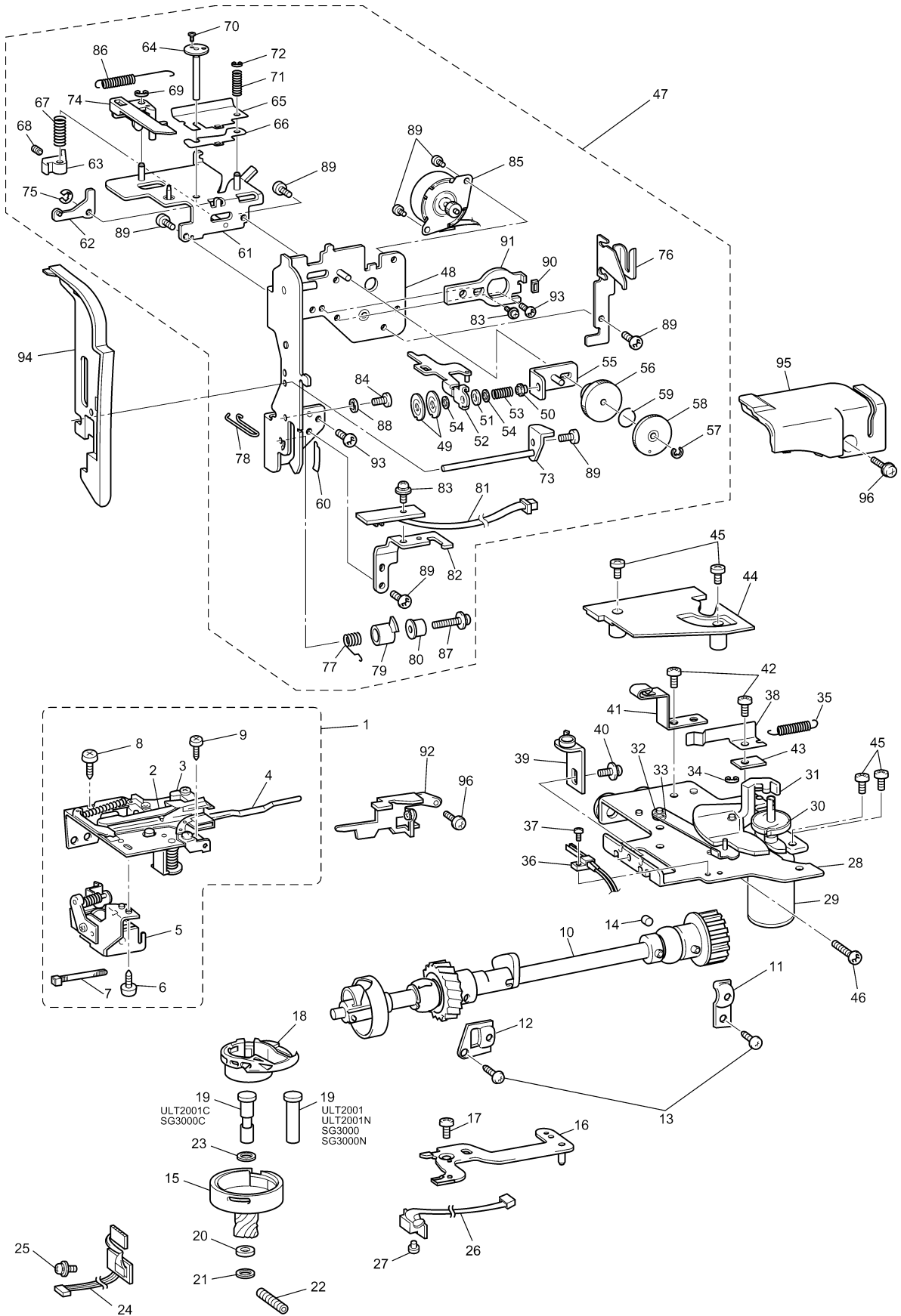
No.	CODE	NAME	REMARKS	No.	CODE	NAME	REMARKS
HORIZONTAL FEED MECHANISM				42	XA9509001	S PULSE MOTOR	
1	XA9463151	HORIZONTAL FEED ASSY		43	060300416	SCREW, BIND M3X4	
2	XA9464050	FEED BAR		44	XA2189050	RUBBER	
3	XA9485051	HORIZONTAL FEED SHAFT		45	XA9510051	MAIN PC PLATE HOLDER D	
4	XA9473001	FEED ADJUSTER ASSY		46	XC0411001	S STOPPER	
5	XA9482000	F GEAR		47	060300616	SCREW, BIND M3X6	
6	XA9483001	SPRING,PLATE		48	XA9462051	SIDE FEED ARM ASSY	
7	048050346	RETAINING RING, E5		49	XA9514051	SPRING,PLATE A	
8	X51093000	SPACER		50	060300616	SCREW, BIND M3X6	
9	014400632	SET SCREW, SOCKET (CP) M4X6		51	X57908051	TAPTITE,BIND S M4X10	
10	XA9484000	FEED REGULATOR BLOCK		52	XA8390001	SCREW	
11	048050346	RETAINING RING, E5					
12	X59916051	VERTICAL FEED FINGER					
13	012400432	SET SCREW, SOCKET (FT) M4X4					
14	XA9843001	FEED DOG					
15	XA9486001	FEED STAND SPRING					
16	XA9487051	HORIZONTAL FEED SHAFT GUIDE					
17	052401406	SCREW PAN (S/P WASHER) M4X14					
18	014400432	SET SCREW, SOCKET (CP) M4X4					
19	XA9488051	DROP PLATE					
20	XA9489051	DROP KNOB					
21	XA9490051	SPRING, COMPRESSION					
22	XA9491151	SPRING PLATE					
23	XA9470001	FEED ARM PLATE					
24	060300616	SCREW, BIND M3X6					
25	X53330000	WASHER					
26	137947001	CLIP					
FEED ADJUSTMENT MECHANISM							
27	XA9492101	FPM HOLDER ASSY					
28	XA9499001	F PULNS MOTOR					
29	060300416	SCREW, BIND M3X4					
30	XA2189050	RUBBER					
31	XA9923051	PLATE NUT					
32	XA9500051	SPRING,COMPRESSION					
33	XC3230001	SCREW5X40					
34	021050315	NUT 5					
35	XC0106001	SCREW3X8					
36	048040346	RETAINING RING, E4					
37	026050135	WASHER, PLAIN S 5					
38	X57908051	TAPTITE,BIND S M4X10					
SIDE FEED MECHANISM							
39	XA9501001	SPM HOLDER ASSY					
40	XA9506051	SIDE FEED GEAR					
41	XA9508051	SPRING,EXTENSION					



(4) THREAD CUTTING / ROTARY HOOK DRIVE / ROTARY HOOK / BOBBIN WINDER AND THREAD GUIDE MECHANISM

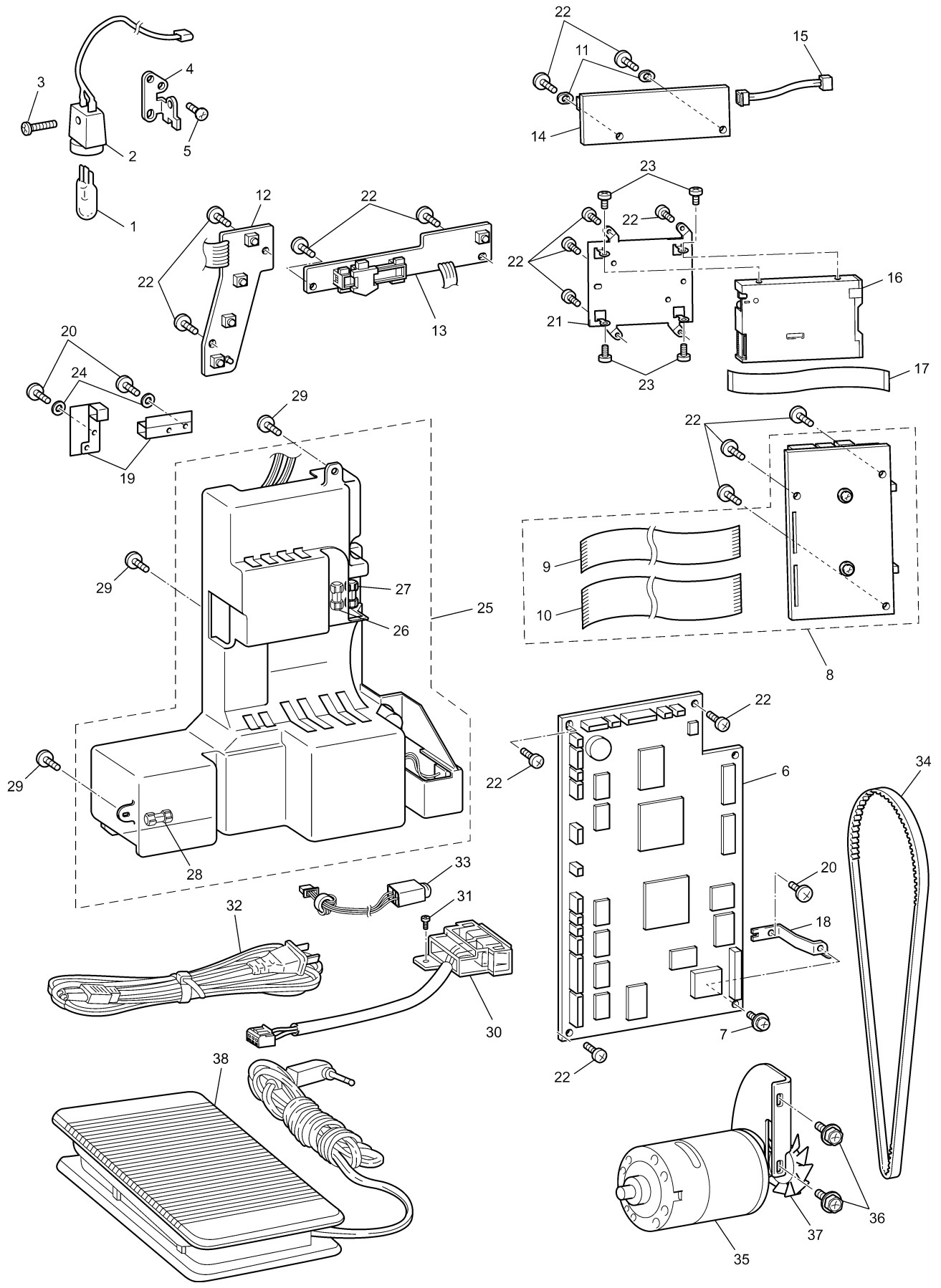
No.	CODE	NAME	REMARKS	No.	CODE	NAME	REMARKS
THREAD CUTTING MECHANISM				BOBBIN PRESSURE GUIDE ASSY			
1	XA9515251	THREAD CUTTER ASSEMBLY		32	XA9541051	BOBBIN PRESSURE GUIDE ASSY	
2	XA2848151	MOVABLE BLADE ASSY		33	137999000	POLYESTER SLIDER	
3	X56133051	FIXED BLADE		34	048030346	RETAINING RING, E3	
4	XA9518151	LOWER THREAD GUIDE ASSY		35	XA9545051	SPRING	
5	XA2578251	THREAD CUTTER SOLENOID ASSY		36	XA9546001	ASSY,BW SWITCH	
6	060300416	SCREW, BIND M3X4		37	062260516	SCREW, PAN M2.6X5	
7	X53169050	BAND		38	XA9548051	SPRING,PLATE	DEL
8	060400816	SCREW, BIND M4X8		39	XA9549151	TENSION GUIDE ASSY	
9	060300616	SCREW, BIND M3X6		40	052300606	SCREW, PAN (S/P WASHER) M3X6	
ROTARY HOOK DRIVE MECHANISM				41	XA9797051	THREAD GUIDE PLATE	
10	XA9522001	LOWER SHAFT COMPLETE		42	060300416	SCREW, BIND M3X4	
11	132421001	BUSHING PRESSER		43	X50532001	PRESSER PLATE	
12	XA1975051	BUSHING PRESSER L		44	XA9799002	BOBBIN WINDERUPPER COVER	
13	X57908051	TAPTITE,BIND S M4X10		45	060300616	SCREW, BIND M3X6	
14	XC3183001	FELT (; ULT2001C, S.G.3000C)		46	X57908051	TAPTITE,BIND S M4X10	
ROTARY HOOK MECHANISM				THREAD GUIDE MECHANISM			
15	XA2855101	OUTER ROTARY HOOK ASSY (; ULT2001, ULT2001N, S.G.3000, S.G.3000N)		47	XA9551101	UPPER TENSION COMPLETE UNIT	
	XC3185051	OUTER ROTARY HOOK ASSY (; ULT2001C, S.G.3000C)		48	XA9553251	THREAD TENSION PLATE ASSY	
16	XA5869001	INNER ROTARY HOOK BRACKET ASSY		49	108263001	TENSION DISC	
17	060400816	SCREW, BIND M4X8		50	XC3437051	TENSION ADJUSTING SCREW	
18	XC0426101	INNER ROTARY HOOK ASSY		51	137881001	TENSION DISC WASHER	
19	XA0360051	OUTER ROTARY HOOK SHAFT (; ULT2001, ULT2001N, S.G.3000, S.G.3000N)		52	XA9559051	TENSION RELEASE PLATE A ASSY	
	XC3186051	OUTER ROTARY HOOK SHAFT (; ULT2001C, S.G.3000C)		53	XA9900001	THREAD TENSIONSPRING	
20	XC3187051	OUTER ROTARY HOOK WASHER (; ULT2001C, S.G.3000C)		54	XD0573051	WASHER	050053
21	XA2190000	WASHER U		55	XA9562051	TENSION PLATE ASSY	
22	014401632	SET SCREW, SOCKET(CP)M4X16		56	XC3252001	THREAD TENSIONCAM	
23	XA0362051	WASHER (; ULT2001, ULT2001N, S.G.3000, S.G.3000N)		57	048030346	RETAINING RING, E3	
	137805051	SPACER (; ULT2001C, S.G.3000C)		58	XA9625000	THREAD TENSION GEAR COVER	
24	XA9526001	ASSY,PHOTO TRANSISTOR		59	X56323051	SPRING	
25	052300606	SCREW, PAN (S/P WASHER) M3X6		60	XA9935000	SPRING TAPE	
26	XA9524001	ASSY,PHOTODIODE LEAD WIRE		61	XA9566001	TENSION RELEASE ASSY	
27	060020416	SCREW, BIND M2X4		62	XA9571001	TENSION RELEASERLINK	
BOBBIN WINDER MECHANISM				63	XA9573001	TENSION RELEASE CAM	
28	XA9530051	BOBBIN WINDER HOLDER ASSY		64	XA9938001	TENSION PYESSER ASSY	
29	XA9534001	MOTOR(DC 24V 0.5W NO)		65	XA9575001	TENSION PLATE	
30	XA5876001	BOBBIN BASE ASSY		66	XA9576001	SPACER	
31	XA9540101	BOBBIN PRESSURE	CHG	67	XA9577001	SPRING	
				68	012300432	SET SCREW, SOCKET (FT) M3X4	
				69	048030346	RETAINING RING, E3	
				70	XA9997001	SCREW M2X3	
				71	X57605001	SPRING	
				72	048020346	RETAINING RING, E2	
				73	XA9578051	THREAD GUARD ASSY	
				74	XA9581051	THREAD TAKE-UP LEVER GUARD	





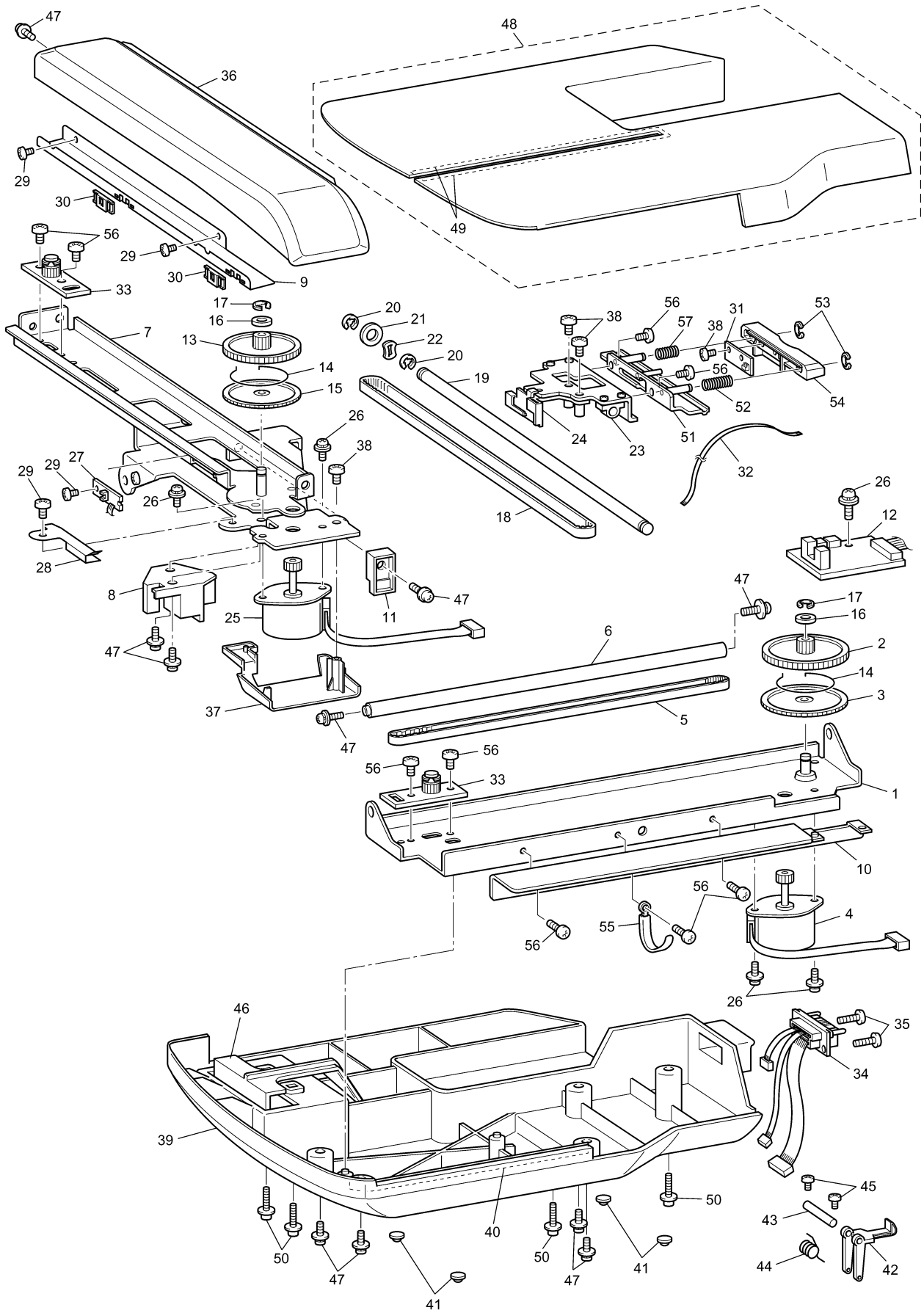
(5) LAMP MECHANISM / ELECTRONIC PARTS / MOTOR UNIT

No.	CODE	NAME	REMARKS	No.	CODE	NAME	REMARKS
LAMP MECHANISM							
1	XA2037001	WB SEW LIGHT BULB		32	XC9548051	POWER SUPPLY CORD : SAA-LF (AUSTRALIA, NEW ZEALAND)	040186
2	XA9596001	SUB ASSY,WBL SOCKET			X57079001	POWER SUPPLY CORD FOR SAA	
3	002261205	SCREW, PAN M2.6X12			XA1291051	POWER SUPPLY CORD FOR KOREA	
4	XA5879051	LAMP HOLDER		33	X81280001	FOOT CONTROLLER JACK ASSY	
5	060300416	SCREW, BIND M3X4		MOTOR UNIT			
ELECTRONIC PARTS				34	XA9644000	T BELT	
6	XA9598001	ASSY, MAIN PCB		35	XA9645001	COMPLETE,MAIN MOTOR	
7	052300606	SCREW, PAN (S/P WASHER) M3X6		36	XA5901001	UP SET	
8	XA9619001	UNIT,CARD PCB		37	XA9652150	MOTOR FAN	
9	XA9620001	LEAD WIRE		38	XC6653151	FOOT CONTROLLER : FC-314-81-LF (120V)	CHG
10	XA9621001	LEAD WIRE			XC6655001	FOOT CONTROLLER : LF	
11	XA2220050	BOARD PRESSER			XD0498001	FOOT CONTROLLER : FC-LF-EU	050033
12	XA9628001	ASSY,SS PCB					
13	XA9631001	ASSY,VR PCB					
14	XA9634001	INVERTER					
15	XA9635001	SUB ASSY,CFL LEAD WIRE					
16	XA9639001	FDD:FD-05HG-5661					
17	XA9640001	FLEXIBLE FLAT CABLE :SML2CD-26					
18	XA9642001	HOLDER R					
19	XA9643000	CORD HOLDER					
20	X57908051	TAPTITE,BIND S M4X10					
21	XA9946001	FD HOLDER					
22	136681001	TAPTITE, BIND B M3X8					
23	060260316	SCREW, BIND M2.6X3					
24	026040236	WASHER, PLAIN 4					
25	XC4293001	POWER SUPPLY UNIT ASSY FOR 120					
	XC4295001	POWER SUPPLY UNIT ASSY FOR 230					
26	XA9760001	GLASS FUSE FOR 120V GLASS FUSE FOR 230V					
27	U32809001	GLASS FUSE FOR 120V					
	XA9761001	GLASS FUSE FOR 230V					
28	XA9762001	GLASS FUSE FOR 120V GLASS FUSE FOR 230V					
29	052401406	SCREW PAN (S/P WASHER) M4X14					
30	XA9961001	ASSY,INLET120					
	XA9941001	ASSY,INLET230					
31	060400616	SCREW, BIND M4X6					
32	XA2815151	POWER SUPPLY CORD FOR UL,CS					
	XA0070051	POWER SUPPLY CORD FOR EUROPE					



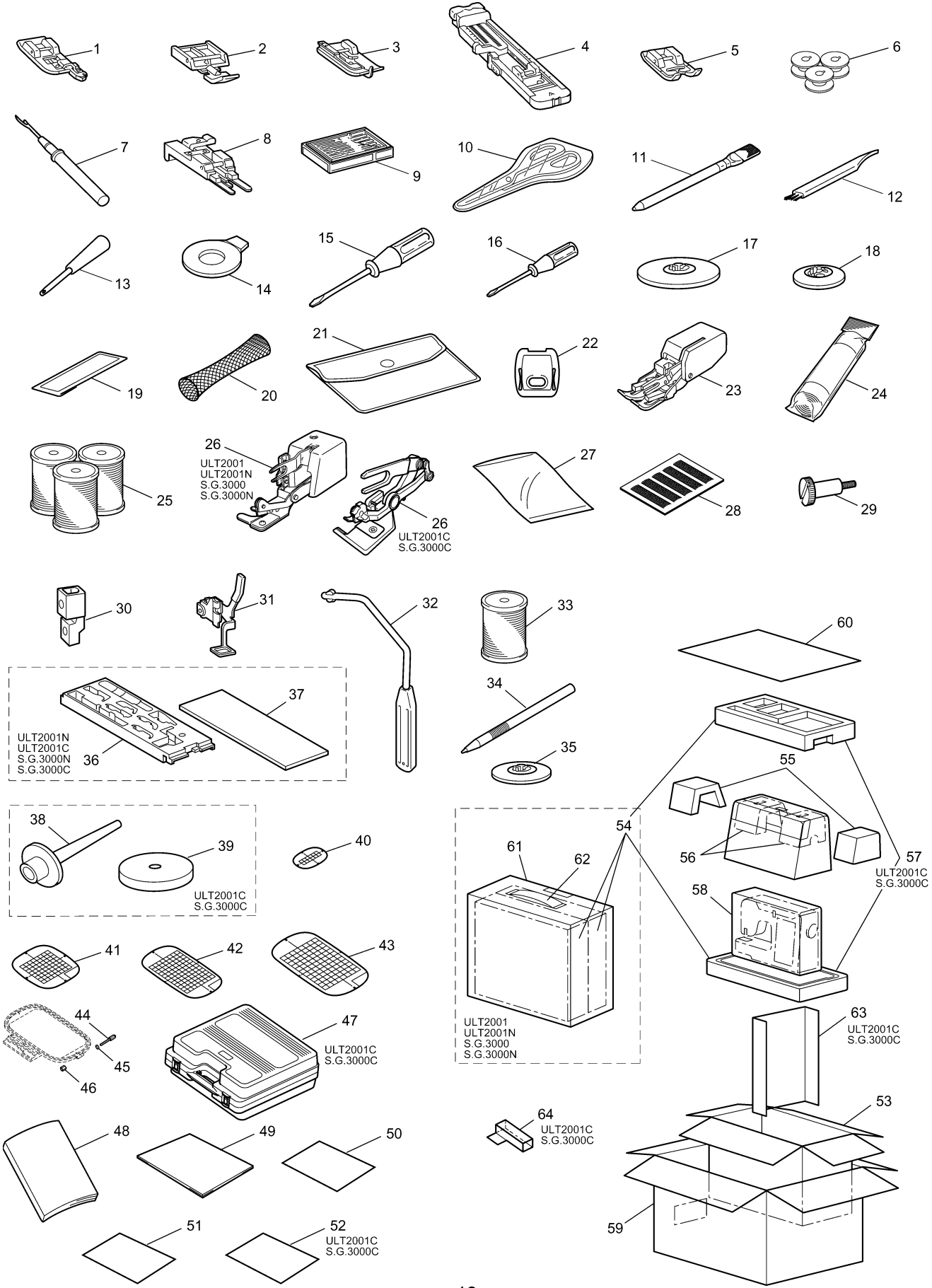
(6) EMBROIDERY UNIT

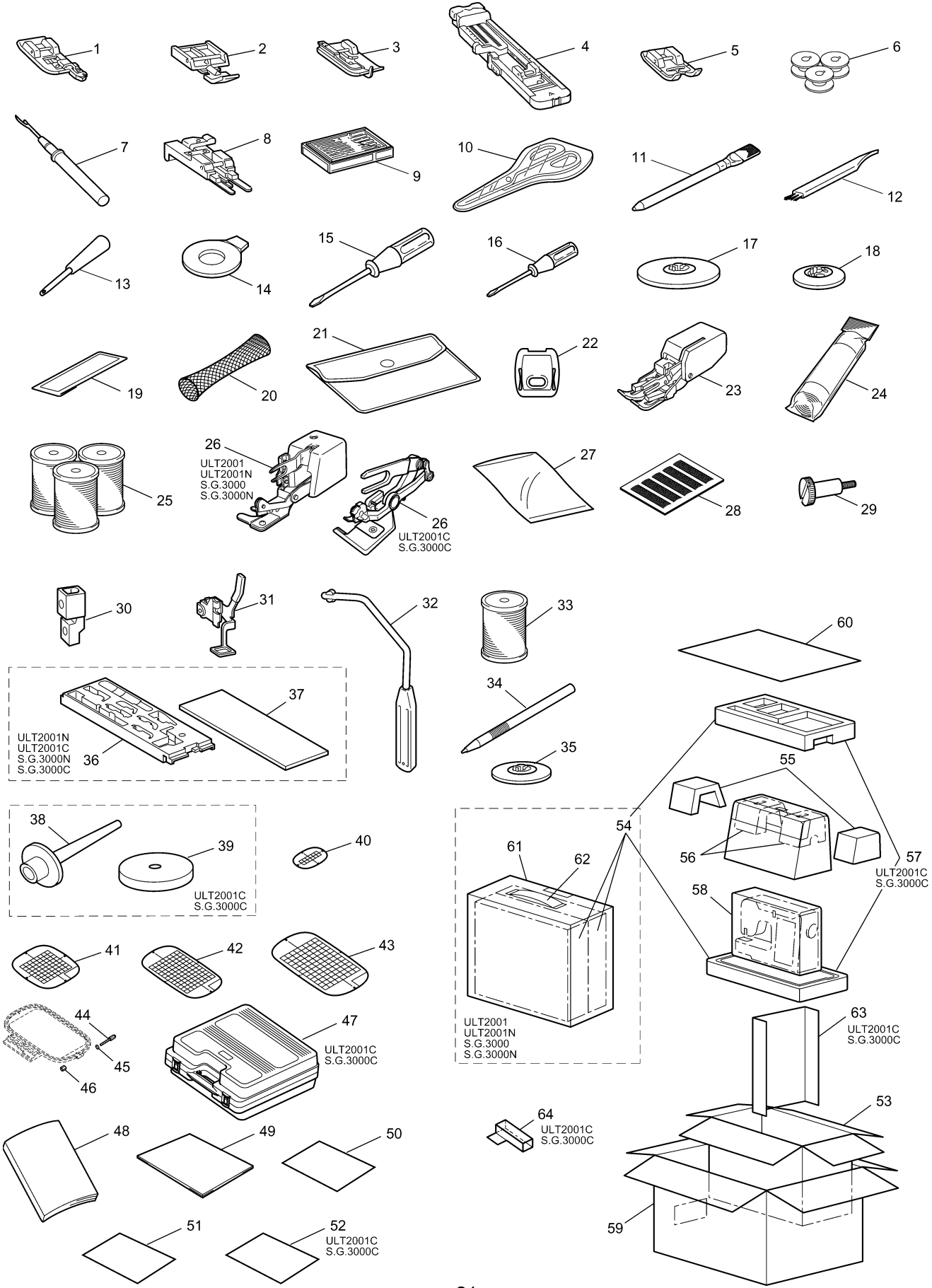
No.	CODE	NAME	REMARKS	No.	CODE	NAME	REMARKS
1	XA9653101	MAIN FRAME SUD ASSY		45	085301017	TAPTITE, BIND P M3X10	
2	XC3189050	X DRIVING GEAR PULLEY A		46	XA9699001	ROCK RELEASE LEVER	
3	XC3190050	X DRIVING GEAR PULLEY B		47	052400806	SCREW, PAN (S/P WASHER) M4X8	
4	XA9656001	X PULSE MOTOR		48	XA9793001	ES MAIN COVERASSY	
5	XC3191001	TIMING BELT 40S2M494		49	XA9694001	GROOVE COVER	
6	XA9661001	X GUIDE SHAFT		50	087411416	TAPTITE, CUP B M4X14	
7	XA9662101	X CARRIAGE ASSY		51	XA9700001	FRAME SUB ASSY	
8	XA9668001	X SLIDER		52	XA9703001	SPRING COMPRESSION4.6X20	
9	XA9795000	CODE GUIDE Y		53	048025346	RETAINING RING, E2.5	
10	XA9669001	X GUIDE PLATE		54	XA9704001	FRAME LOCK LEVER	
11	XA9670101	X BELT PRESSER		55	T31049001	COATING CLIP CS-6	
12	XA9671001	ASSY,XSENSOR PCB		56	060400616	SCREW, BIND M4X6	
13	XC3227001	Y DRIVING GEAR PULLEY A		57	XC0444001	SPRING COMPRESSION 6X19	
14	XC3194051	SPRING FOR GEAR					
15	XC3192001	Y DRIVING GEAR PULLEY B			X81292011	EMBROIDERY UNIT ASSEMBLY (; ULT2001, ULT2001N, S.G.3000, S.G.3000N)	050021
16	025060235	WASHER, PLAIN M 6					
17	048040346	RETAINING RING, E4			XC3188011	EMBROIDERY UNIT ASSEMBLY (; ULT2001C, S.G.3000C)	050021
18	XC3193001	TIMING BELT 40S2M656					
19	XA9676001	Y GUIDE SHAFT					
20	XA7680001	STOP RING 9.25					
21	XA9677001	WASHER					
22	XA9678001	WASHER					
23	XA9679001	Y CARRIAGE ASSY					
24	XA9682001	Y SLIDER					
25	XA9683001	Y PULSE MOTOR:M35SP-9N					
26	XA8390001	SCREW					
27	XA9684101	Y-SENSOR PCB ASSEMBLY					
28	XA9687150	CODE GRIP					
29	060300616	SCREW, BIND M3X6					
30	XA9832150	CORD CRIP B					
31	XA9688001	FRAME PCB ASSY					
32	XA9692101	FLEXIBLE FLAT CABLE:SML2CD-4					
33	XA9657051	TENSION PULLEY ASSY					
34	XA9693001	ASSY,EMB UNITLEAD WIRE					
35	085301615	TAPTITE, BIND P M3X16					
36	XA9695002	X CARRIAGE COVER					
37	XA9696101	YPM COVER					
38	085301017	TAPTITE, BIND P M3X10					
39	XA9697001	ES BASE COVER					
40	XA9694001	GROOVE COVER					
41	X59853000	RUBBER CUSHION					
42	XA5349050	ROCK FINGER					
43	XA0814001	SHAFT					
44	XA2157051	SPRING					



(7) ATTACHMENTS, PRINTED MATTER, PACKING MATERIALS

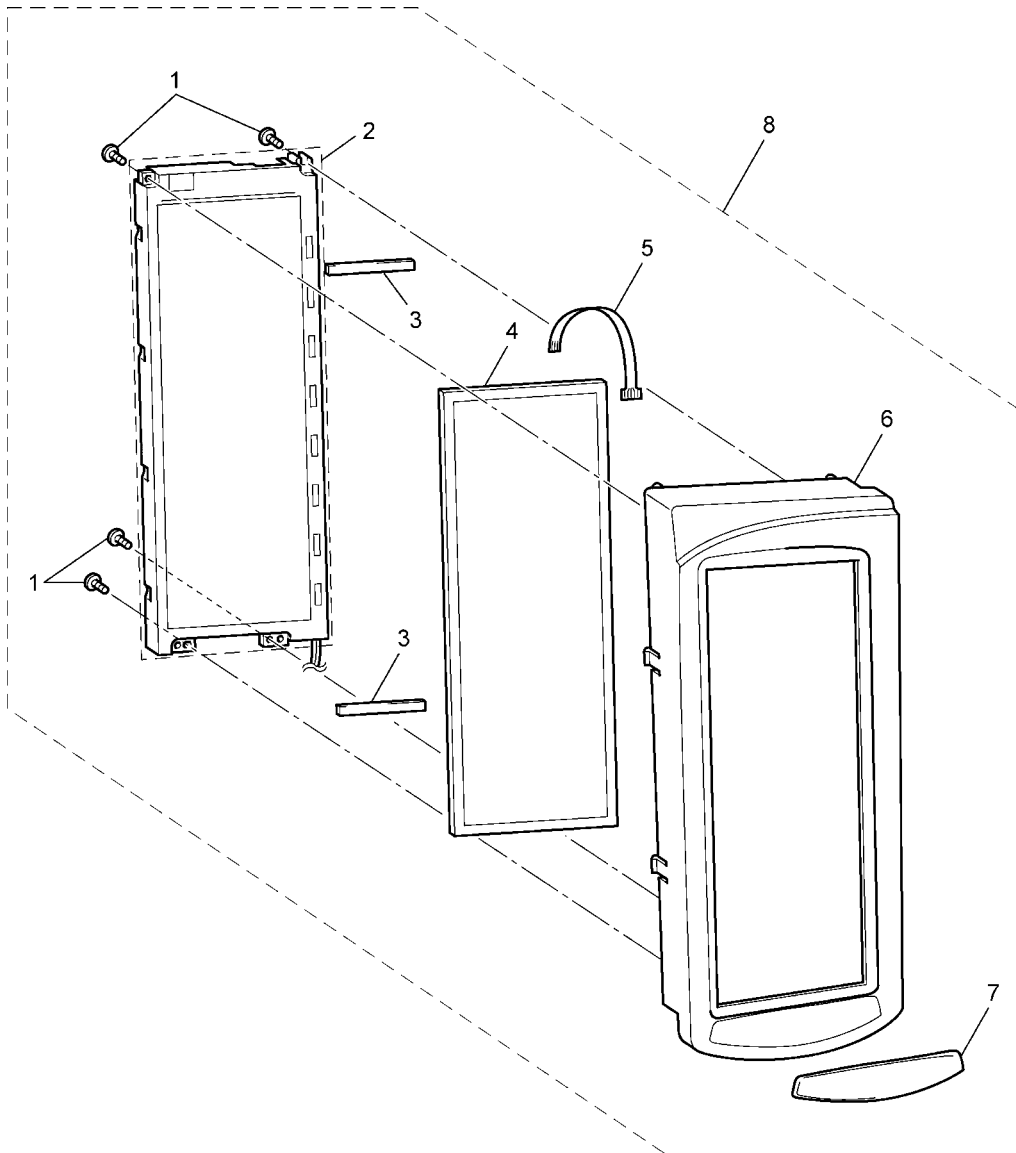
No.	CODE	NAME	REMARKS	No.	CODE	NAME	REMARKS
ATTACHMENTS							
1	X51162001	OVERLOCK STITCH FOOT ASSY		37	XC1678001	SPONGE (ULT2001N, ULT2001C, S.G.3000N,	
2	X59370051	ZIPPER FOOT		38	XA3336051	SPOOL PIN (ULT2001C, S.G.3000C)	
3	X56409001	BLIND STITCH FOOT ASSY		39	X57045001	SPOOL FELT (ULT2001C, S.G.3000C)	
4	X57789101	BH PRESSER FOOT		40	XA9724001	EF66 (EMBROIDERY SHEET 60)	ACC
5	X53840301	TRANSPARENCY PRESSER FOOT		41	XA9718001	EF67 (EMBROIDERY SHEET 100)	ACC
6	136492101	BOBBIN		42	XC1342001	EF70 200 EMBROIDERY SHEET MP (130)	ACC
7	X54243001	SEAM RIPPER		43	XA9712001	EF68 (EMBROIDERY SHEET1160)	ACC
8	130489001	BUTTONING FOOT		44	X56373101	THUMB SCREW	
9	X58358001	Z NEEDLE ASSY		45	X59422001	WASHER	
10	184783001	SCISSORS		46	XA6982001	NUT	
11	184944001	CHALK PEN		47	XC1291001	CARRYING CASE (UPC)	ACC
12	X59476051	CLEANING BRUSH	CHG		XC1291002	CARRYING CASE (EAN)	ACC
13	135793001	PUNCH		PRINTED MATTER			
14	XC1074051	NEEDLE PLATE FIXING METAL		48	ULT2001, S.G.3000		
15	X55467051	SCREW DRIVER			191200011	INSTRUCTION BOOK (English)	
16	X55468051	SCREW DRIVER S			191200015	INSTRUCTION BOOK (French)	
17	130012054	SPOOL PRESSER A	CHG		191200013	INSTRUCTION BOOK (German)	
18	130013004	SPOOL PRESSER B			191200012	INSTRUCTION BOOK (Spanish)	
19	X59296101	TWIN NEEDLE (1PC)			191200014	INSTRUCTION BOOK (Dutch)	
20	127610000	SPOOL NETS			191200016	INSTRUCTION BOOK (Italian)	
21	XC4487051	ACCESSORY BAG		ULT2001N, S.G.3000N			
22	XA9939051	NEEDLE PLATE COVER			193220011	INSTRUCTION BOOK (English)	
23	X81064001	WALKING FOOT ASSY	ACC		193220015	INSTRUCTION BOOK (French)	
24	X81175101	BACKING MATERIAL 28CM X 3M	ACC		193220013	INSTRUCTION BOOK (German)	
25	X81178001	3 COLORS EMBROIDERY SET			193220012	INSTRUCTION BOOK (Spanish)	
26	X80943001	SIDE CUTTER ASSY (ULT2001, ULT2001N, S.G.3000, S.G.3000N)			193220014	INSTRUCTION BOOK (Dutch)	
	XC3198001	SIDE CUTTER ASSY (ULT2001C, S.G.3000C)			193220016	INSTRUCTION BOOK (Italian)	
27	XA0188000	BAG		ULT2001C, S.G.3000C			
28	X81277000	MY CUSTOM SHEET	ACC		XC3200001	INSTRUCTION BOOK (English)	
29	XA5904051	SCREW			XC3261001	INSTRUCTION BOOK (French)	
30	XA6027001	ADAPTOR FOR LOW SHANK			XC3860001	INSTRUCTION BOOK (German)	
31	XC1274001	EMBROIDERY FOOT 'Q'			XC3858001	INSTRUCTION BOOK (Spanish)	
	XC5269001	EMBROIDERY FOOT 'Q+' (ULT2001C, S.G.3000C)			XC3262001	INSTRUCTION BOOK (Spanish)	
32	XA6941001	KNEE LIFTER LEVER ASSY			XC3859001	INSTRUCTION BOOK (Italian)	
33	XA8391001	EMBROIDERY UNDER THREAD		49	192200011	QUICK REFERENCE GUIDE (ULT2001, S.G.3000)	
34	XA9940001	TOUCH PEN			193220060	INSTRUCTION BOOK (ULT2001N, S.G.3000N)	
35	X55260153	SPOOL PRESSER C			XC3265001	QUICK REFERENCE GUIDE (ULT2001C, S.G.3000C)	
36	XC1398101	ACCESSORY TRAY (ULT2001N, ULT2001C, S.G.3000N,		50	XC0708001	CAUTION SHEET	
				51	XC0890001	CAUTION SHEET	
				52	XC5402001	INSERTION SHEET (ULT2001C, S.G.3000C)	





• LCD MODULE ASSY

No.	CODE	NAME	REMARKS	No.	CODE	NAME	REMARKS
1	085200615	Screw P2 x 6		6	XA9869001	TP-LCD HOLDER	
2	X81375001	LCD module ASSY for U.S.A.		7	XC0013001	DECORATION BADGE FOR ULT2001	
	X81376001	LCD module ASSY			XC0014001	DECORATION BADGE FOR SG3000	
3	XA6039001	FRONT COVER SPACER B		8	X81299103	LCD MODULE ASSY (;ULT*)	
4	XA9404001	TOUCH PANEL:EMU601A2B040			X81299104	LCD MODULE ASSY (;S.G.*)	
5	XA9636001	PCB LINKAGE FOR LCD AND CARD					



ULT2001
 ULT2001N
 ULT2001C
 S.G. 3000
 S.G. 3000N
 S.G. 3000C
 XXB03HF114200
 Printed in Japan