

**brother**®

**Home Sewing Machine  
PARTS REFERENCE LIST**

**MODEL: 3034D**

MECHANISMS & ELECTRONICS

# CONTENTS

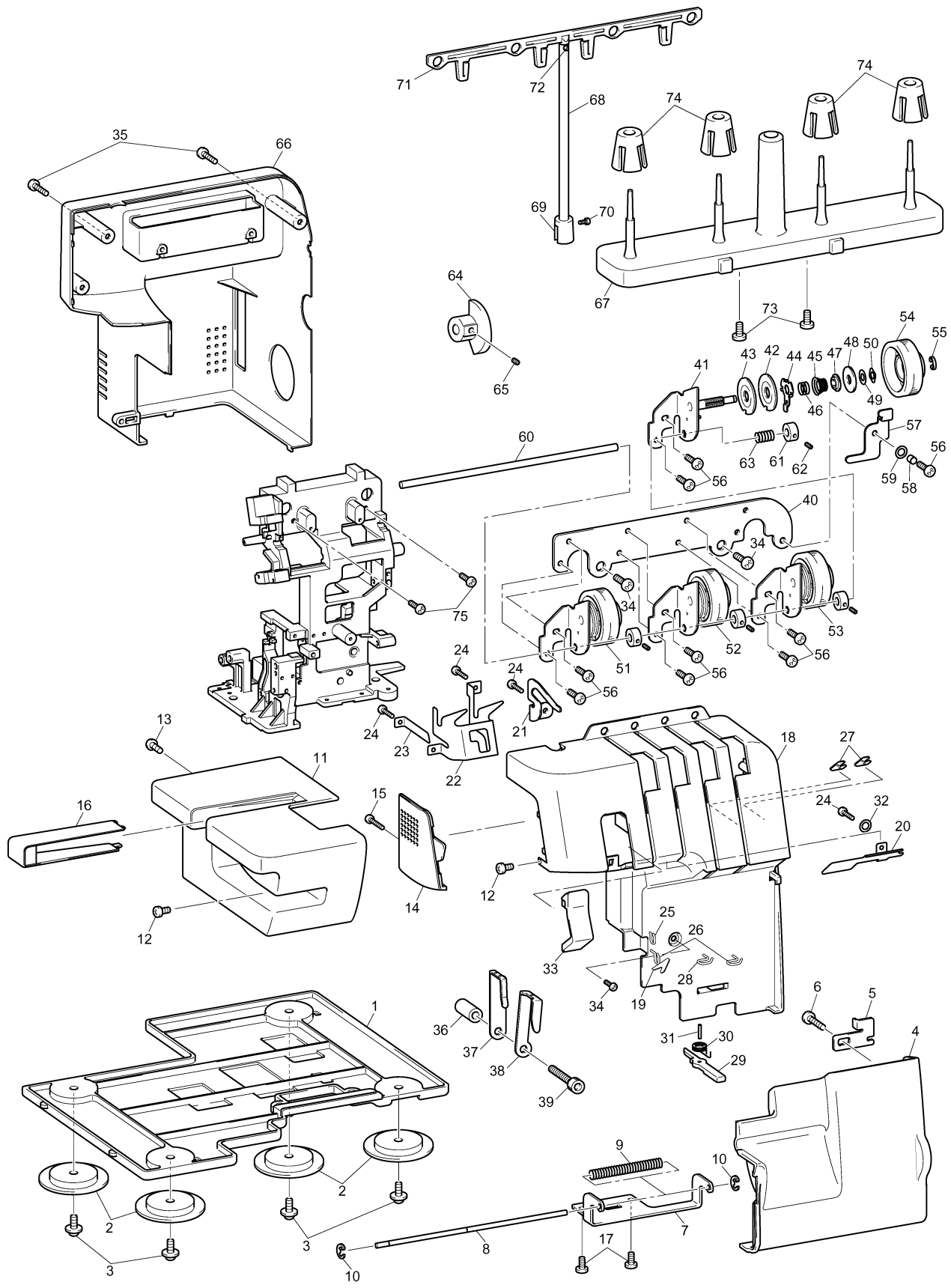
(1) PRINCIPAL PARTS / THREAD GUIDE MECHANISM .....	2
(2) NEEDLE BAR / PRESSER MECHANISM .....	4
(3) FEED MECHANISM .....	6
(4) DRIVING SHAFT MECHANISM .....	8
(5) KNIFE AND LOOPER .....	10
(6) LAMP / ELECTRONIC PARTS / MOTOR UNIT .....	12
(7) ATTACHMENTS / PRINTED MATTER / PACKING MATERIALS .....	14

**Note on parts:**

We keep performance parts for this sewing machine for at least 8 years after this model is discontinued. Performance parts are the necessary parts to maintain the function of the sewing machine.

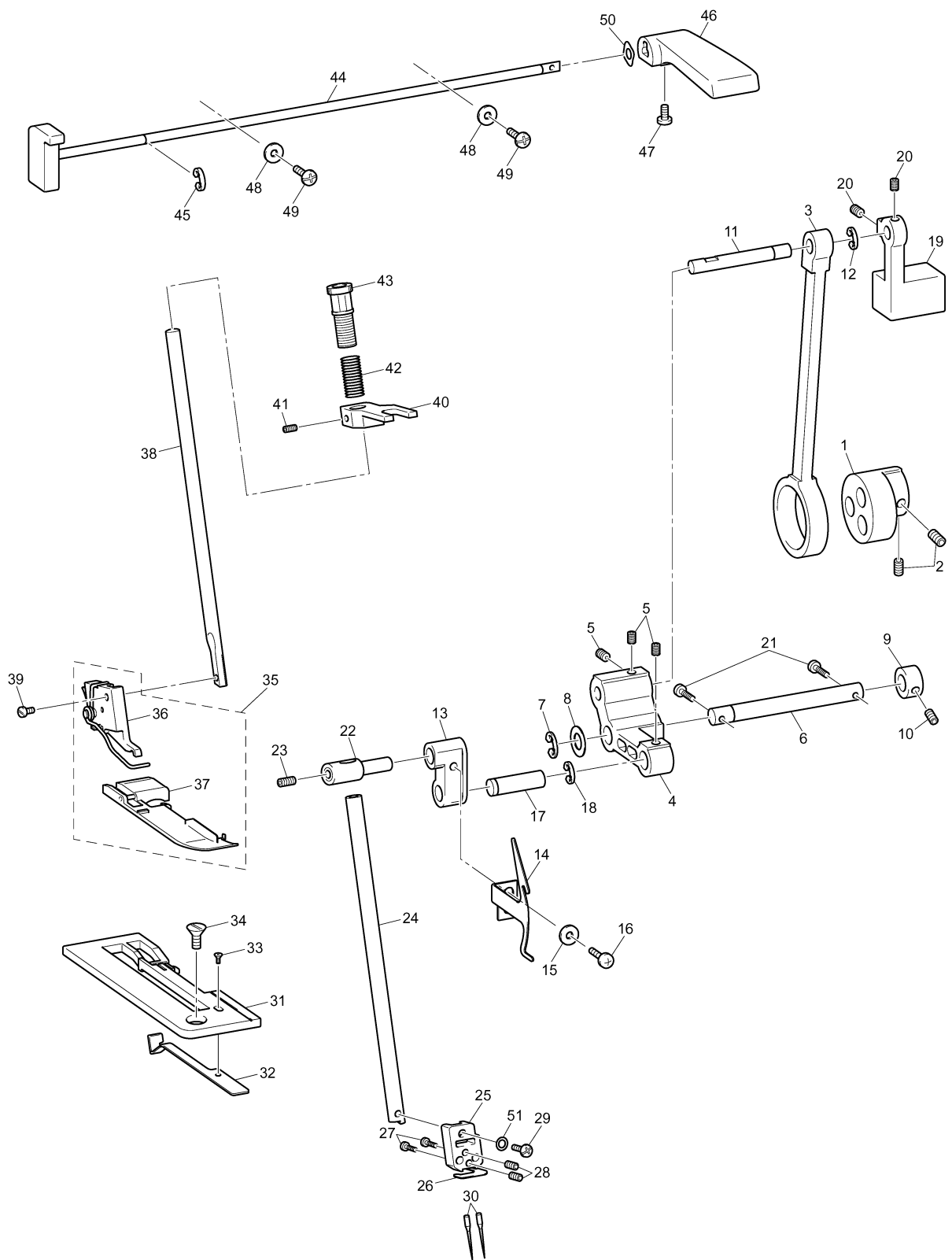
# (1) PRINCIPAL PARTS / THREAD GUIDE MECHANISM

No.	CODE	NAME	REMARKS	No.	CODE	NAME	REMARKS
PRINCIPAL PARTS				42	X77235000	TENSION DISC	
1	XB1374001	OIL PAN		43	X77236000	TENSION DISC A	
2	XB1534001	CUSHION S		44	XB1763001	THREAD TENSION RELEASE PLATE	060245
3	X75720001	SET SCREW		45	X77414001	SPRING	
4	XB1536001	FRONT COVER S		46	XB0817001	THREAD TENSION SPRING S (UL ONLY)	
5	X75632001	FRONT COVER HOOK		47	X75992001	WASHER	
6	037300616	TAPPING SCREW PAN V M3X6		48	X76878000	THREAD TENSION NUT	
7	XB1375001	FRONT COVER HINGE PLATE		49	025040232	WASHER PLAIN M 4	
8	XB1376001	FRONT COVER GUIDE SHFT		50	X76879000	WAVE WASHER	
9	127174001	FRONT COVER SPRING		51	XB1599001	THREAD TENSION DIAL (YELLOW)	
10	048030342	RETAINING RING E3		52	XB1599002	THREAD TENSION DIAL (PINK)	
11	XB1532001	CLOTHPLATE COVER ASSY		53	XB1599003	THREAD TENSION DIAL (GREEN)	
12	060400606	SCREW BIND M4X6		54	XB1599004	THREAD TENSION DIAL (BLUE)	
13	060401606	SCREW BIND M4X16		55	048030342	RETAINING RING E3	
14	XB1643001	LAMP COVER ASSY (U.S.A., CAN, BRA)	1000010189	56	060300406	SCREW BIND M3X4	
	XB1537001	LAMP COVER ASSY (OTHER)	1000006280	57	XB1487001	THREAD TENSION LEVER	
15	037401014	TAPPING SCREW PAN V M4X10		58	XB1608001	SPACER 3X2.5	
16	XB1371001	SUB TABLE		59	025040132	WASHER PLAIN S 4	
17	060401206	SCREW BIND M4X12		60	XB1489001	THREAD TENSION RELEASE SHAFT	
THREAD GUIDE MECHANISM				61	X76230001	THREAD TENSION RELEASE BLOCK	
18	XB1634001	PANEL PLATE L ASSY		62	014300332	SET SCREW SOCKET (CP) M3X3	
19	XB1631001	OL THREAD GUIDE		63	XB1695001	SPRING	
20	XB1491001	NEEDLE THREAD GUIDE R		64	XB1488001	THREAD TENSION RELEASE CAM	
21	XB1493001	NEEDLE THREAD GUIDE O		65	014400422	SET SCREW, SOCKET (CP) M4X4	
22	XB1492001	NEEDLE THREAD TAKE-UP GUIDE		66	XB1494001	REAR COVER	
23	XB1495001	NEEDLE THREAD SEPARATOR		67	X77731002	SPOOL STAND BASE	
24	037300815	TAPPING SCREW PAN V M3X8		68	X77733001	SPOOL STAND SHAFT	
25	127943001	NEEDLE THREAD GUIDE		69	X77734001	SPOOL STAND SHAFT BASE	
26	XB0533001	THREAD GUIDE L		70	037200615	TAPPING SCREW PAN V M2X6	
27	X77762000	LOOPER THREAD GUIDE		71	XB1529001	THREAD GUIDE	
28	127778001	LOOPER THREAD GUIDE		72	037200615	TAPPING SCREW PAN V M2X6	
29	XB1496001	UL THREAD GUIDE LEVER		73	037301015	TAPPING SCREW PAN V M3X10	
30	XB1497001	UL THREAD GUIDE SPRING		74	126863003	SPOOL CUSHION	
31	047201242	PIN SPRING ROLL AW2		75	037401014	TAPPING SCREW PAN V M4X10	
32	028030246	WASHER SPRING 2-3					
33	XB1490001	THREAD TAKE-UP COVER					
34	060400606	SCREW BIND M4X6					
35	037401216	TAPPING SCREW PAN V M4X12					
36	XB1477001	LOOPER TAKE-UP STAND					
37	X77726001	LOOPER THREAD TAKE-UP A					
38	X77727001	LOOPER THREAD TAKE-UP B					
39	018402032	BOLT SOCKET M4X20					
40	XB1484001	THREAD TENSION BASE PLATE					
41	XB1598001	THREAD TENSION BASE ASSY					



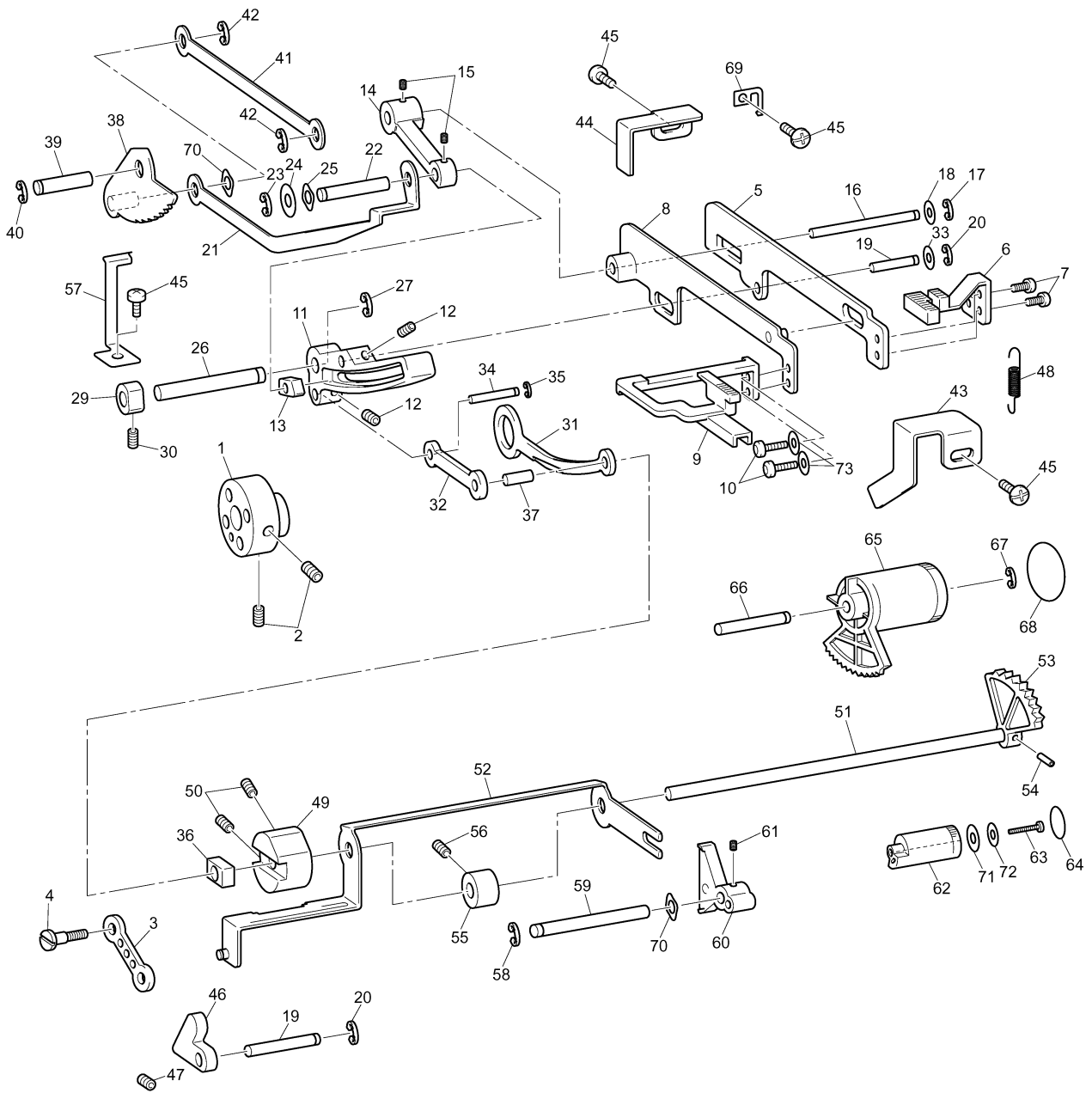
## (2) NEEDLE BAR / PRESSER MECHANISM

No.	CODE	NAME	REMARKS	No.	CODE	NAME	REMARKS
NEEDLE BAR MECHANISM				PRESSER MECHANISM			
1	XB1388001	NEEDLE BAR ECCENTRIC WHEEL		35	XB1557001	PRESSER ASSEMBLY	
2	012500632	SET SCREW, SOCKET (FT) M5 x 6		36	X77862001	PRESSER FOOT HOLDER ASSEMBLY	
3	XB1396001	NEEDLE BAR ROD		37	XB0316001	PRESSER FOOT ASSY	
4	XB1395001	NEEDLE BAR DRIVING LEVER		38	126660001	PRESSER BAR	
5	014400422	SET SCREW, SOCKET (CP) M4 x 4		39	126851001	SET SCREW	
6	XB1389001	NEEDLE BAR SHAFT		40	XB1397001	PRESSER BAR BRACKET	
7	048060342	RETAINING RING E6		41	014400422	SET SCREW, SOCKET (CP) M4X4	
8	026080136	WASHER PLAIN S 8		42	X77621001	PRESSER BAR SPRING	
9	X75150001	COLLAR		43	XB1398001	PRESSER FOOT ADJUSTING SCREW	
10	014400422	SET SCREW, SOCKET (CP) M4X4		44	XB1560001	PRESSER LIFTER SHAFT ASSY	
11	XB1527001	NEEDLE BAR ROD SHAFT		45	048030342	RETAINING RING E3	
12	048050342	RETAINING RING E5		46	XB1399001	PRESSER FOOT LEVER	
13	XB1276000	NEEDLE BAR CONNECTING LINK		47	060300806	SCREW BIND M3X8	
14	XB1551001	THREAD TAKE-UP		48	025040332	WASHER, PLAIN L 4	
15	028040242	WASHER, SPRING 2-4		49	060400606	SCREW, BIND M4 x 6	
16	060400606	SCREW, BIND M4 x 6		50	<del>X76687000</del>	WAVE WASHER	1000001778
17	XB0806001	NEEDLE BAR ROD SHAFT ASSY					
18	048050346	RETAINING RING E5		51	026030132	WASHER PLAIN S 3	1000007760
19	XB1394001	NEEDLE BAR BALANCE ASSY					
20	014400422	SET SCREW, SOCKET (CP) M4X4					
21	060401606	SCREW, BIND M4 x 16					
22	126656001	NEEDLE BAR CONNECTING STUD					
23	014060632	SET SCREW, SOCKET (CP) M6 x 6					
24	XB1390001	NEEDLE BAR					
25	XB1391001	NEEDLE CLAMP BASE					
26	XB1392001	NEEDLE CLAMP PLATE					
27	060300616	SCREW BIND M3X6					
28	016300432	SET SCREW SOCKET (CN) M3X4	1000002378				
29	002301005	SCREW PAN M3X10	1000007760				
30	X75577014	NEEDLE					
31	XB1555001	NEEDLE PLATE ASSY					
32	X77618001	FIXED NEEDLE GUARD					
33	004020506	SCREW FLAT M2X5					
34	100032003	SCREW, FLAT SM4.37-40X8					



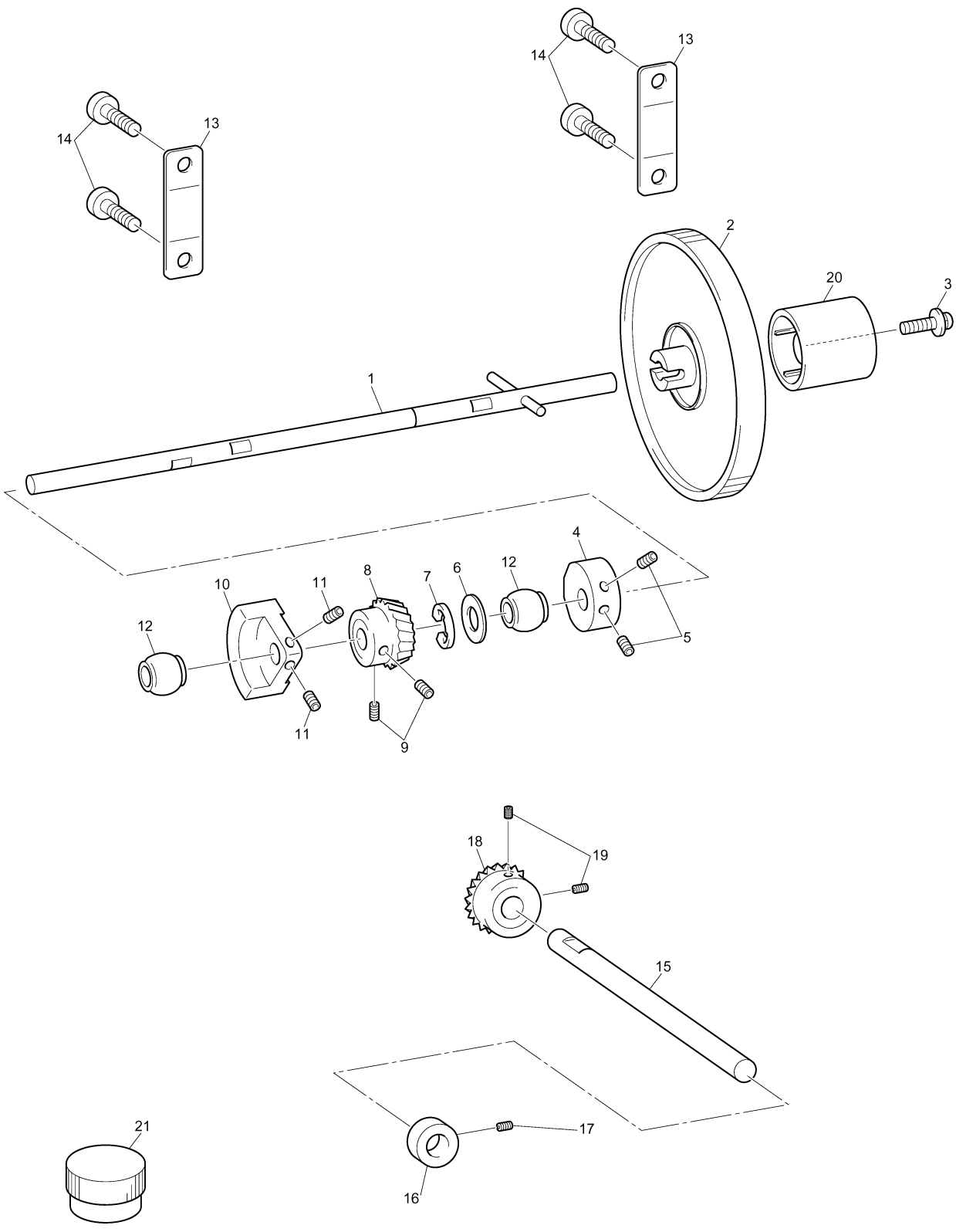
### (3) FEED MECHANISM

No.	CODE	NAME	REMARKS	No.	CODE	NAME	REMARKS
1	XB1422001	FEED ECCENTRIC WHEEL		45	060400606	SCREW BIND M4X6	
2	012500632	SET SCREW SOCKET (FT) M5X6		46	XB1404001	FEED ADJUSTING CAM	
3	XB1437001	UPPER KNIFE LINK		47	014400832	SET SCREW SOCKET (CP) M4X8	
4	XB1368001	STOPPER SCREW		48	XB1408001	FEED SPRING	
5	XB1425001	MAIN FEED BAR		49	XB1514001	FEED ADJUSTING LEVER	
6	XB1402001	MAIN FEED DOG		50	014400422	SET SCREW, SOCKET (CP) M4X4	
7	018300632	BOLT SOCKET M3X6	1000001930	51	XB1406001	FEED ADJUSTING LEVER SHAFT	
8	XB1566001	DIFERENTIAL FEED BAR		52	XB1571001	DIFFERENTIAL ADJUSTING LEVER	
9	XB1403001	DIFFERENCIAL FEED DOG		53	XB1414001	FEED ADJUSTING GEARS	
10	018300832	BOLT SOCKET M3X8	1000001930	54	047201242	PIN SPRING ROLL AW2	
11	XB1431001	FEED BAR LEVER		55	XB1472001	UL COLLAR	
12	014400422	SET SCREW, SOCKET (CP) M4 × 4		56	014400422	SET SCREW, SOCKET (CP) M4X4	
13	X77653000	DIFERENTAL FEED ADJUSTING		57	XB1420001	DIFFERENTIAL ADJUSTING LEVER	
14	XB1433001	DIFFERENTIAL FEED LINK		58	048030342	RETAINING RING E3	
15	014400422	SET SCREW, SOCKET (CP) M4X4		59	XB1523001	DIFFERENTIAL DIAL SHAFT	
16	XB0474001	LINK SHAFT		60	XB1520001	DIFFERENTIAL DIAL STAND	
17	048040342	RETAINING RING E4		61	014400422	SET SCREW, SOCKET (CP) M4X4	
18	025050132	WASHER PLAIN S 5		62	XB1521001	DIFFERENTIAL DIAL	
19	X76647001	ADJUSTING BLOCK SHAFT		63	060301606	SCREW BIND M3X16	
20	048040342	RETAINING RING E4		64	XB1524001	DIFFERENTIAL DIAL LID	
21	XB1435001	DIFFERENTIAL ADJUSTING LINK		65	XB1756001	FEED DIAL4	060244
22	X77652000	ADJUSTING LINK SHAFT		66	X76711101	DRIVING LEVER ARM SHAFT	
23	048030342	RETAINING RING E3		67	048050346	RETAINING RING E5	
24	025040232	WASHER PLAIN M 4		68	XB1416001	FEED DIAL LID	
25	X76879000	WAVE WASHER		69	XB1413001	ADJUSTING DIAL SPRING	
26	XB1421001	FEED BAR LEVER SHAFT		70	X76687000	WAVE WASHER	
27	048050342	RETAINING RING E5		71	026030132	WASHER PLAIN S 3	
28	014400422	SET SCREW, SOCKET (CP) M4 × 4	1000008833	72	028030246	WASHER SPRING 2-3	
29	XB1430001	FEED BAR LEVER COLLAR		73	026030132	WASHER PLAIN S 3	1000001930
30	014400422	SET SCREW, SOCKET (CP) M4X4					
31	XB1423001	FEED ROD					
32	XB1424001	FEED LINK					
33	025050132	WASHER PLAIN S 5					
34	X76647001	ADJUSTING BLOCK SHAFT					
35	048040342	RETAINING RING E4					
36	XB1400001	FEED ADJUSTING BLOCK					
37	XB1401001	FEED ADJUSTING BLOCK SHAFT					
38	XB1569001	DIFFERENTIAL ADJUSTING PLATE					
39	X76626001	FEED LINK SHAFT					
40	048040342	RETAINING RING E4					
41	XB1432001	DIFFERENTIAL LEVER LINK					
42	048040342	RETAINING RING E4					
43	XB1405001	FEED BAR STOPPER PLATE B					
44	XB1525001	FEED BAR STOPPER PLATE C					



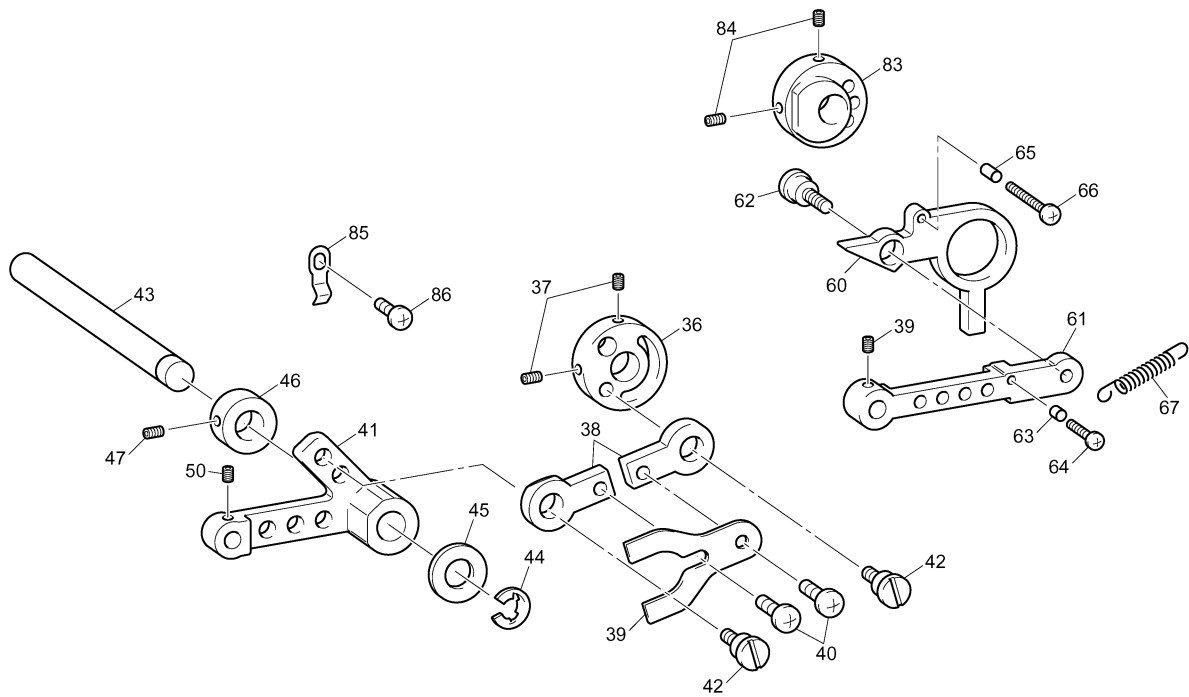
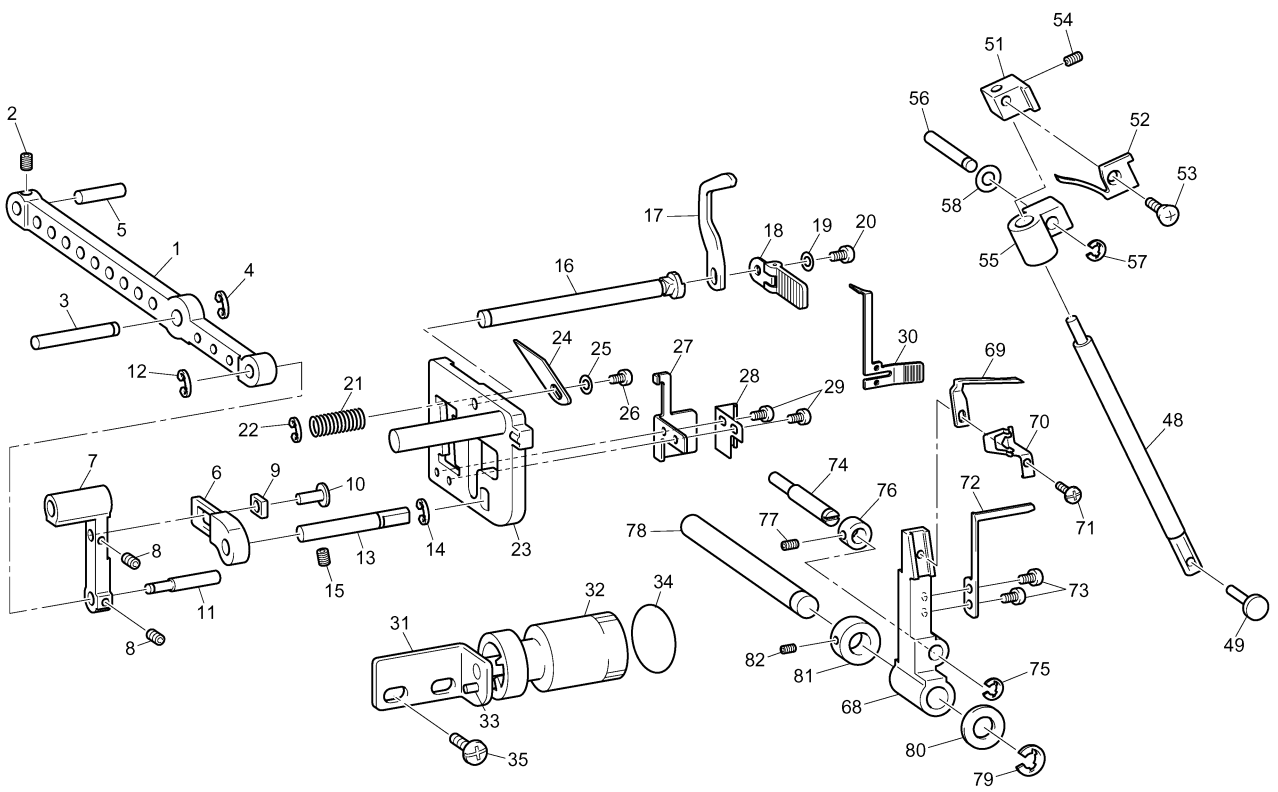






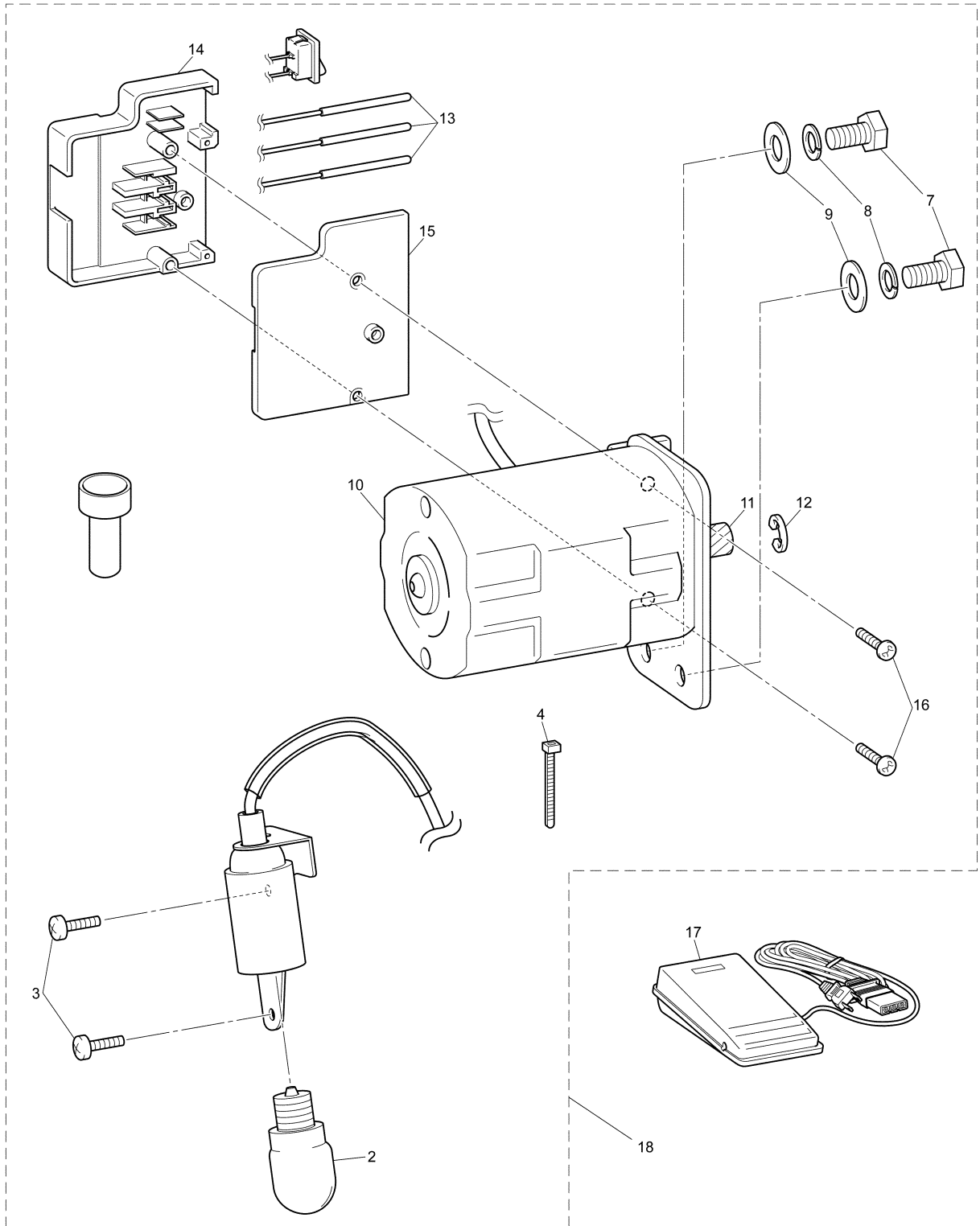
## (5) KNIFE AND LOOPER

No.	CODE	NAME	REMARKS	No.	CODE	NAME	REMARKS
UPPER KNIFE				43	XB1465001	OL LEVER SHAFT	
1	XB1439001	UPPER KNIFE LEVER		44	048060342	RETAINING RING E6	
2	014400422	SET SCREW, SOCKET (CP) M4X4		45	026080136	WASHER PLAIN S 8	
3	X76711101	DRIVING LEVER ARM SHAFT		46	X75150001	COLLAR	
4	048050346	RETAINING RING E5		47	014400422	SET SCREW, SOCKET (CP) M4X4	
5	XB1528001	UPPER KNIFE LINK SHAFT		48	XB1693001	O.L SHAFT	
6	XB1448001	UPPER KNIFE LEVER		49	XB1630001	OL SHAFT	
7	XB1446001	UPPER KNIFE ARM		50	014400422	SET SCREW, SOCKET (CP) M4X4	
8	014400422	SET SCREW, SOCKET (CP) M4X4		51	X77772001	OVERLOOPER BASE	
9	XB1449001	VERTICAL FEED BLOCK		52	X77781001	OVER LOOPER	
10	XB1516001	UPPER KNIFE LEVER SHAFT		53	XB1034001	SCREW	
11	XB1447001	UPPER KNIFE ADJUSTING SHAFT		54	014400422	SET SCREW, SOCKET (CP) M4X4	
12	048050346	RETAINING RING E5		55	XB1466001	OL SHAFT GUIDE	
13	XB1440001	UPPER KNIFE LEVER SHAFT		56	127784001	GUIDE SHAFT	
14	048050346	RETAINING RING E5		57	048040342	RETAINING RING E4	
15	014400422	SET SCREW, SOCKET (CP) M4X4		58	025710235	WASHER PLAIN M SM4.76	
16	XB1441001	UPPER KNIFE HOLDER		59	<del>014400422</del>	SET SCREW, SOCKET (CP) M4X4	1000008833
17	XB1687001	UPPER		60	XB1467001	UL ROD	
18	XB1576001	KNIFE RELEASE ASSY		61	XB1468001	UL LINK	
19	028040242	WASHER SPRING 2-4		62	XB1368001	STOPPER SCREW	
20	060400806	SCREW BIND M4X8		63	XB1608001	SPACER 3X2.5	
21	XB1442001	UPPER SPRING		64	062300612	SCREW PAN M3X6	
22	048050342	RETAINING RING E5		65	XB1589001	SPACER 3X6	
LOWER KNIFE				66	062301006	SCREW PAN M3X10	
23	XB1455001	LOWER KNIFE HOLDER ASSY		67	XB1473001	CHANGE SPRING	
24	XB1459001	LOWER KNIFE		68	XB1469001	UL LEVER	
25	025040232	WASHER PLAIN M 4		69	X77774001	LOWER LOOPER	
26	060400606	SCREW BIND M4X6		70	XB1481001	UL THREADER	
27	XB1457001	STITCH TONGUE STAND		71	060300616	SCREW BIND M3X6	
28	XB1463001	STITCH TONGUE SPRING		72	XB0371001	MOVADLE NEEDLE GUARD	
29	062300412	SCREW PAN M3X4		73	062300406	SCREW PAN M3X4	
30	XB1458001	STITCH TONGUE		74	XB1480001	UL LINK SHAFT	
31	XB1580001	STITCH WIDTH DIAL STAND ASSY		75	048050342	RETAINING RING E5	
32	XB1638001	STITCH WIDTH DIAL		76	XB1472001	UL COLLAR	
33	047251242	PIN SPRING ROLL AW2.5		77	014400422	SET SCREW, SOCKET (CP) M4X4	
34	XB1462001	STITCH WIDTH DIAL LID		78	XB1470001	UL LEVER SHAFT	
35	060400606	SCREW BIND M4X6		79	048060342	RETAINING RING E6	
LOOPER				80	026080136	WASHER PLAIN S 8	
36	XB1474001	OL ECCENTRICITY		81	X75150001	COLLAR	
37	014400422	SET SCREW, SOCKET (CP) M4X4		82	014400422	SET SCREW, SOCKET (CP) M4X4	
38	XB1479001	OL LINK		83	XB1482001	UL ECCENTRICITY	
39	XB1478001	OL LINK PLATE		84	014400422	SET SCREW, SOCKET (CP) M4X4	
40	060400416	SCREW BIND M4X4		85	XB1664001	UL RELEASE MAINTENANCE SIUL	
41	XB1464001	OL LEVER		86	060400606	SCREW BIND M4X6	
42	XB1368001	STOPPER SCREW					



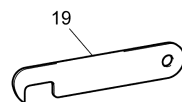
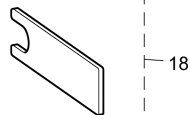
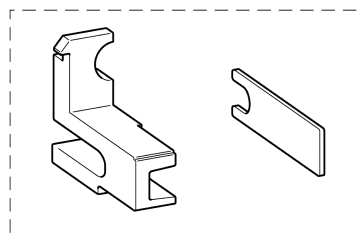
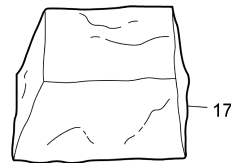
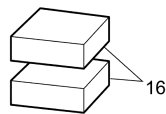
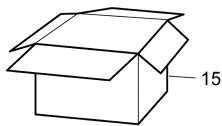
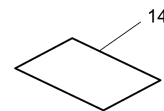
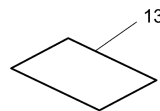
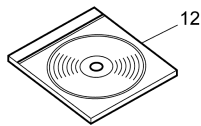
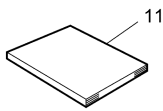
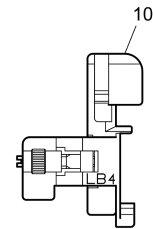
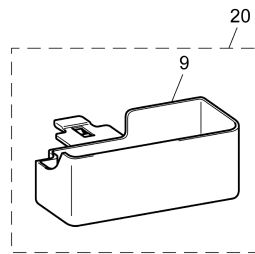
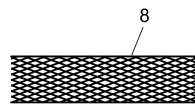
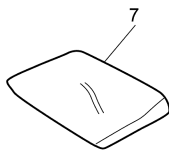
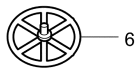
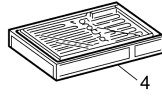
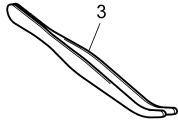
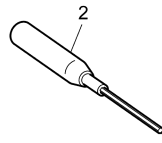
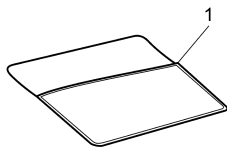
## (6) LAMP / ELECTRONIC PARTS / MOTOR UNIT

No.	CODE	NAME	REMARKS
LAMP MECHANISM			
1	<del>XB1645001</del>	SEWING LAMP ASSY (U.S.A., CAN)	1000010984
	<del>XB1613001</del>	SEWING LAMP ASSY (OTHER)	1000010984
2	X53061050	SEW-LIGHT BULB (100-120V)	
	205336050	SEW-LIGHT BULB L-4 (220-240V)	
3	060400606	SCREW BIND M4X6	
4	S04159000	BAND 1M	
ELECTRONIC PARTS			
5	<del>XB0901001</del>	SWITCH ASSEMBLY (U.S.A., CAN)	1000010984
	<del>XB0905001</del>	SWITCH ASSEMBLY (OTHER)	1000010984
6	<del>X77076001</del>	CONNECTER	1000010984
MOTOR UNIT			
7	103741001	BOLT	
8	203735001	WASHER	
9	100197004	WASHER	
10	<del>XB1601001</del>	MOTOR ASSY (U.S.A., CAN)	1000010984
	<del>XB1651001</del>	MOTOR ASSY (ARG)	1000010984
	<del>XB1691001</del>	MOTOR ASSY (AUS, MYS)	1000010984
	<del>XB1602001</del>	MOTOR ASSY (CHN, HKG)	1000010984
	<del>XB1617001</del>	MOTOR ASSY (OTHER)	1000010984
11	XB1504001	MOTOR PINION (OTHER)	
	XB1692001	MOTOR PINION (AUS)	
12	048050346	RETAINING RING, E5	
13	138598051	SOCKET PIN	
14	XB1505001	3P SOCKET BODY	
15	XB1506001	3P SOCKET COVER	
16	037401815	TAPPING SCREW, PAN V M4 x 18	
17	XC7359021	FOOT CONTROLLER:KD-1902 (U.S.A., CAN)	1000001764
	XD0112121	FOOT CONTROLLER:KD-2902IRAM (ARG)	1000008422
	XC7456321	FOOT CONTROLLER:KD-2902UK (U.K., IRE, HKG)	1000001764
	XE0629001	FOOT CONTROLLER:KD-2902AUS (AUS)	
	XD0105021	FOOT CONTROLLER:KD-2902 CHN (CHN)	1000001764
	XC7438321	FOOT CONTROLLER:KD-2902 (OTHER)	1000001764
	XE3414001	FOOT CONTROLLER:KD-1902 BRZ (BRA)	1000010189
18	XB1827001	MOTOR L ASSY (120V)	1000010944
	XB1828001	MOTOR L ASSY (220V)	1000010944
	XB1829001	MOTOR L ASSY (230V)	1000010944
	XB1820001	MOTOR L ASSY (240V)	1000010944



## (7) ATTACHMENTS / PRINTED MATTER / PACKING MATERIALS

No.	CODE	NAME	REMARKS	No.	CODE	NAME	REMARKS
ATTACHMENTS					X77460001	GATHERING FOOT ASSY	1000000461
1	122991052	ACCESSORY BAG			XE2895001	OPTIONAL 5YEAR WARRANTY CARD (U.K.)	1000004069
2	XB0393001	SCREW DRIVER S					
3	XB1618001	PINCETTE					
4	X75917001	NEEDLE SET ASSEMBLY					
5	X75906001	BRUSH					
6	X77260000	CAP					
7	123440000	VINYL BAG					
8	X75904000	NET					
9	XB1530001	TRIM TRAP					
10	X76346001	BLIND FOOT					
PRINTED MATTER							
11	XB1621001	INSTRUCTION BOOK (English / Spanish)					
	XB1636001	INSTRUCTION BOOK (French / Dutch)					
	XB1635001	INSTRUCTION BOOK (German / Italian)					
	XB1637001	INSTRUCTION BOOK (Danish / Russian)					
	XB1696001	INSTRUCTION BOOK (Norwegian / Danish)	060232				
	XB1697001	INSTRUCTION BOOK (Swedish / Finnish)	060232				
	XB1797001	INSTRUCTION BOOK (Chinese)	1000008363				
	XB1811001	INSTRUCTION BOOK (3034D: BRA)	1000010658				
12	XB1619001	DVD-ROM ASSY (OTHER)					
	XB1660001	DVD-ROM ASSY (GER, SIN, AUS, SPA, CHN, MYS)	1000009907				
13	XC0381051	WARRANTY CARD (U.S.A.)					
	UH3851001	WARRANTY CARD EUR					
	XC6402051	WARRANTY CARD (U.K.)					
	XE5609101	WARRANTY CARD 5YEARS ITA (ITA)	1000013378				
	LW3135001	CEE WARRANTY CARD	1000011500				
	181401174	INSERTION WARRANTY COUPON (CAN)	ADD				
	XE3332001	MASS WARRANTY CARD (HKG)	1000003830				
	XE5572001	WARRANTY CARD BROTHER RUS (RUS)	1000010023				
	XE5652001	WARRANTY CARD BROTHER ARG (ARG, PAR)	1000011223				
	XE4548001	WARRANTY CARD BR HSM (BRA)	1000010189				
14	XB1366101	INSERTION SHEET EEE	1000004120				
	XE5611001	REGISTRATION CARD ITA (ITA)	1000010089				
PACKING MATERIALS							
15	XB1652001	CARTON (U.S.A., CAN, BRA)	1000010189				
	XB1624001	CARTON (OTHER)					
	XB1663001	CARTON (RUS)					
16	XB1625001	STYROFOAM ASSY					
17	X77871000	SOFT COVER					
18	XB1709001	GAUGE SET					
19	XB1037001	THREAD TENSION ADJUSTING TOOL	060245				
20	XB1786001	BAG 225X250	1000005993				





**brother**®

3034D  
37J06HF884S04

09. 2006.  
07. 2009.