

brother®

Home Sewing Machine PARTS REFERENCE LIST

MODEL: NV1200

CONFIDENTIAL

Copyright © 2010 Brother Industries, Ltd.
All rights reserved.

Published: Jan.,2009
Revised: Jan.,2011

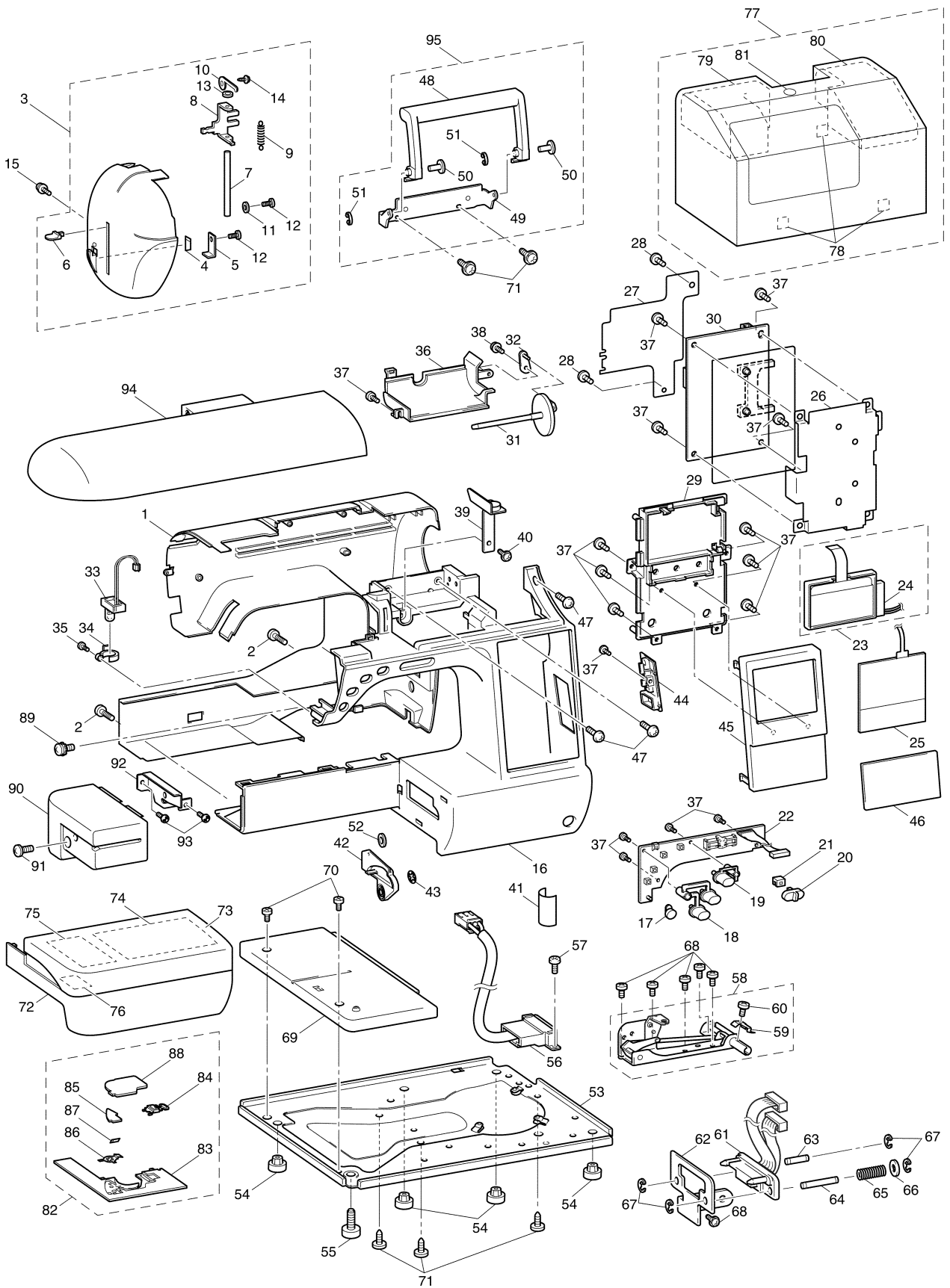
CONTENTS

(1) MAIN FRAME / COVER	2
(2) UPPER SHAFT / NEEDLE BAR / PRESSER FOOT UNIT ...	6
(3) FEED / SIDE FEED / THREAD CUTTING UNIT	8
(4) LOWER SHAFT / BOBIN WINDING MECHANISM	10
(5) NEEDLE THREADING MECHANISM	12
(6) ELECTRIC PARTS / POWER SUPPLY / MAIN MOTOR UNIT...	14
(7) EMBROIDERY UNIT	16
(8) ACCESSORY PARTS / USER MANUAL / PACKAGE	20
NEEDLE-PRESSER MODULE.....	24
FEED MODULE	28
THREAD CUTTER MODULE	30

Note on parts:

We keep performance parts for this sewing machine for at least 8 years after this model is discontinued. Performance parts are the necessary parts to maintain the function of the sewing machine.

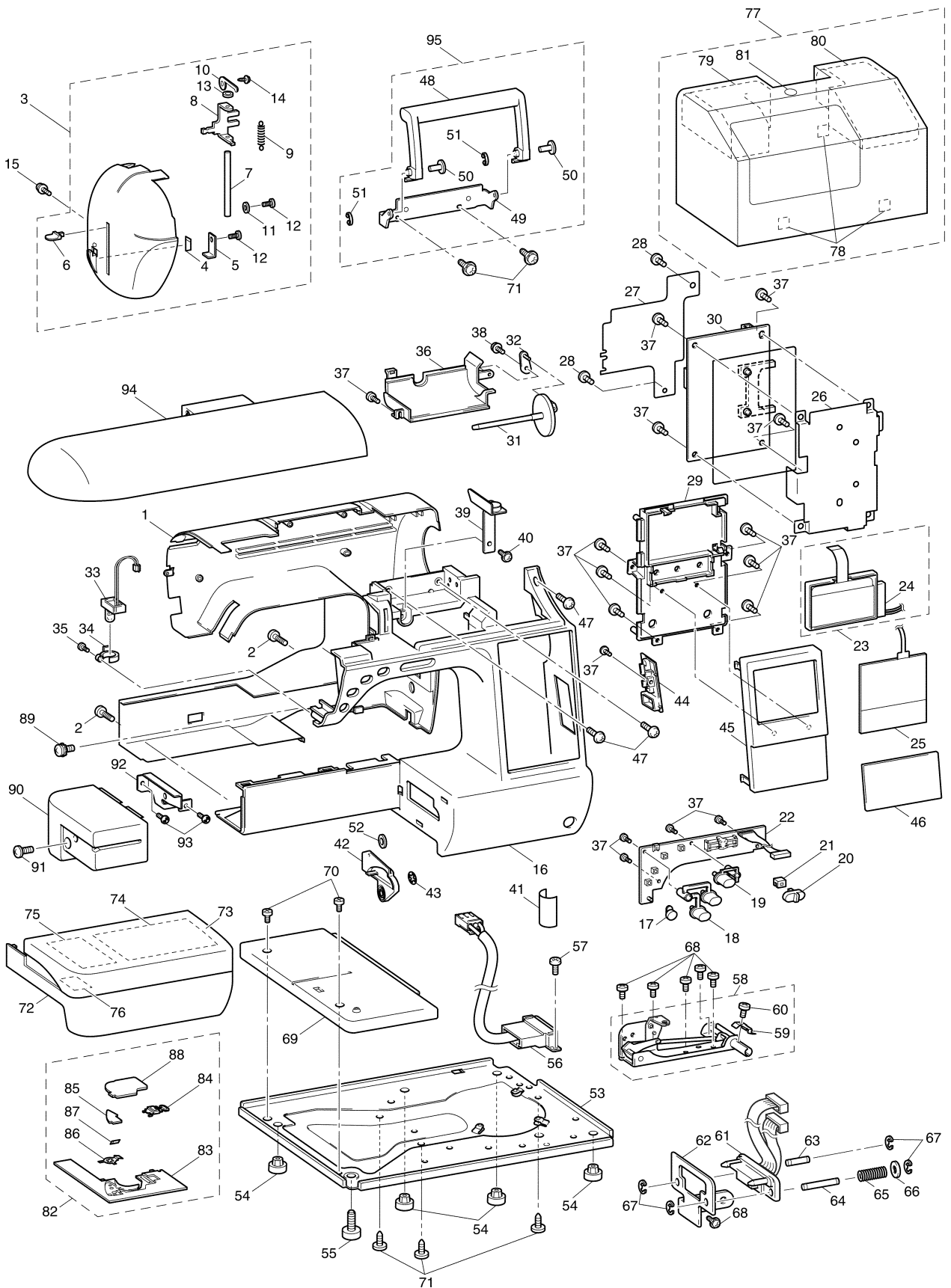
(1) MAIN FRAME / COVER



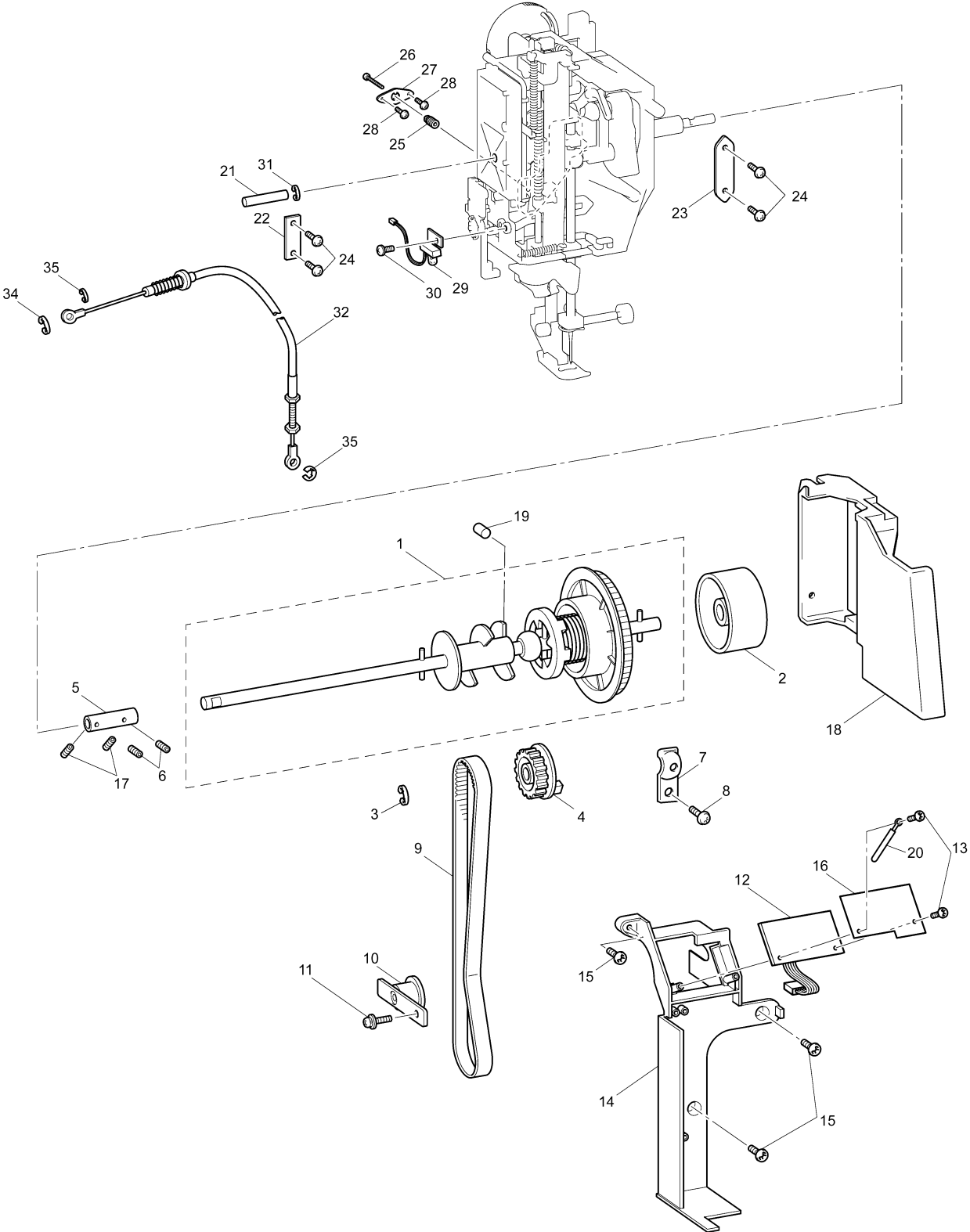
(1) MAIN FRAME / COVER

No.	CODE	NAME	REMARKS	No.	CODE	NAME	REMARKS
1	XD0321151	REAR COVER ASSY		45	XD0347151	INDICATION PLATE	
2	060400816	SCREW, BIND M4 × 8		46	XD0349154	PANEL PLATE	
3	XD0324151	FACE PLATE	1000011565	47	085411416	TAPTITE, BIND B M4 × 14	
4	X80321021	NT LOWER THREAD CUTTER	060123	48	XC2348151	HANDLE	1000019381
5	XC9682051	FACE PLATE CUTTER HOLDER		49	XC9696051	HANDLE HOLDER	
6	XC9604051	NEEDLE THREAD LEVER KNOB		50	XC2350051	HANDLE SHAFT	
7	XA5825051	NEEDLE THREAD LEVER SHAFT		51	048040343	RETAINING RING, E4	1000001452
8	XC9683051	NEEDLE THREAD LEVER		52	137713020	POLYESTER SLIDER	1000014067
9	138260051	THREAD THROUGH LEVER SPRING		53	XC6818151	BASE PLATE	
10	XZ0406050	SHAFT PRESSER PLATE		54	XA1805021	BASE RUBBER A	060123
11	XE5212001	WASHER, PLAIN	1000011565	55	XE1973001	ADJUSTING SCREW ASSY	1000000187
12	138433021	TAPTITE, PAN B M3 × 6	060123	56	XC4417051	INLET ASSY: F1D-EU (EU, CHL)	
13	XC0508020	RUBBER WASHER	060123		XE0358001	INLET ASSY US2 (U.S.A., CAN)	1000004096
14	X59629021	TAPTITE, BIND B M3 × 10	060123	57	060400616	SCREW BIND M4X6	
15	XC7568051	SCREW PAN (S/P WASHER) M4 × 14		58	XC4447151	KNEE LIFTER ASSEMBLY	
16	XD1253151	FRONT COVER	1000014022	59	XA6215251	SPRING, PLATE	
17	XC9600052	SS-BUTTON		60	060260316	SCREW BIND M2.6X3	
18	XC9601051	REVERSE BUTTON		61	XD0351051	LEAD WIRE ASSY MAIN BODY FCOMB	
19	XC9602051	THREAD CUT BUTTON		62	XD0890051	CONNECTOR HOLDER F-EU	
20	XC9603051	SV KEYTOP		63	XD0353051	ES PIN F-A	
21	XC2316150	SV JOINT PLATE		64	XD0945051	ES PIN F-B	
22	XC2317151	PCB ASSY: SS-VR F2		65	XD0967051	SPRING, COMPRESSION	
23	XD0830051	LCD SUPPLY ASSY		66	XC2514021	FEED BAR SPACER	
24	XD0334051	BACK LIGHT PCB ASSY		67	048020343	RETAINING RING E2	1000001452
25	XD0338056	ASSY: TOUCH PANEL		68	062400612	SCREW PAN M4X6	
26	XD0340051	BOARD PLATE		69	XC9589051	BASE PLATE COVER	
27	XD0331051	BOARD PLATE UPPER		70	060300516	SCREW, BIND M3 × 5	
28	060300516	SCREW BIND M3X5		71	X57908021	TAPTITE, BIND S M4X10	060123
29	XD0341051	MAIN PCB HOLDER		72	XC9606251	ACCESSORY TABLE	
30	XD1923251	MAIN PCB SUPPLY ASSY	1000012307	73	XD0829051	ACC TABLE COVER SUPPLY ASSY	
31	XA1786053	SPOOL PIN		74	XD0528050	SPONGE A	
32	XC9690051	SPOOL PIN HOLDER ASSY		75	XD0609050	SPONGE B	
33	XD0343051	PCB UNIT: LED LAMP-FR		76	XD0610151	Q FOOT STICKER	
34	XC7081051	LAMP HOLDER SUPPORTER		77	XC9701052	CASE ASSEMBLY	
35	X57372051	TAPTITE, PAN B M2.6 × 8		78	125440020	CASE FELT	060123
36	XC9591051	THREAD BOBBIN COVER		79	XC9702050	HEAD SUPPORT SF-L	
37	136681021	TAPTITE, BIND B M3 × 8	060123	80	XC9703050	HEAD SUPPORT SF-R	
38	087311015	TAPTITE, CUP B M3 × 10		81	XZ0161051	BLIND PLATE	
39	XC9693451	BOBBIN WINDER GUIDE ASSY		82	XD0354251	NEEDLE PLATE B ASSY	1000006037
40	XA8390021	SCREW	060123	83	XD0355251	NEEDLE PLATE B	1000006037
41	XZ0143150	SSVR INSULATION SHEET	1000022110	84	XC2366152	SLIDE BUTTON	
42	XD0345251	CONNECT COVER		85	XD1666052	CUTTER COVER	
43	138384021	RETAINING RING, CS5	060123	86	XD1461051	NEEDLE PLATE COVER SPRING	
44	XD0893051	CARD COVER		87	X80321021	NT LOWER THREAD CUTTER	060143

(1) MAIN FRAME / COVER



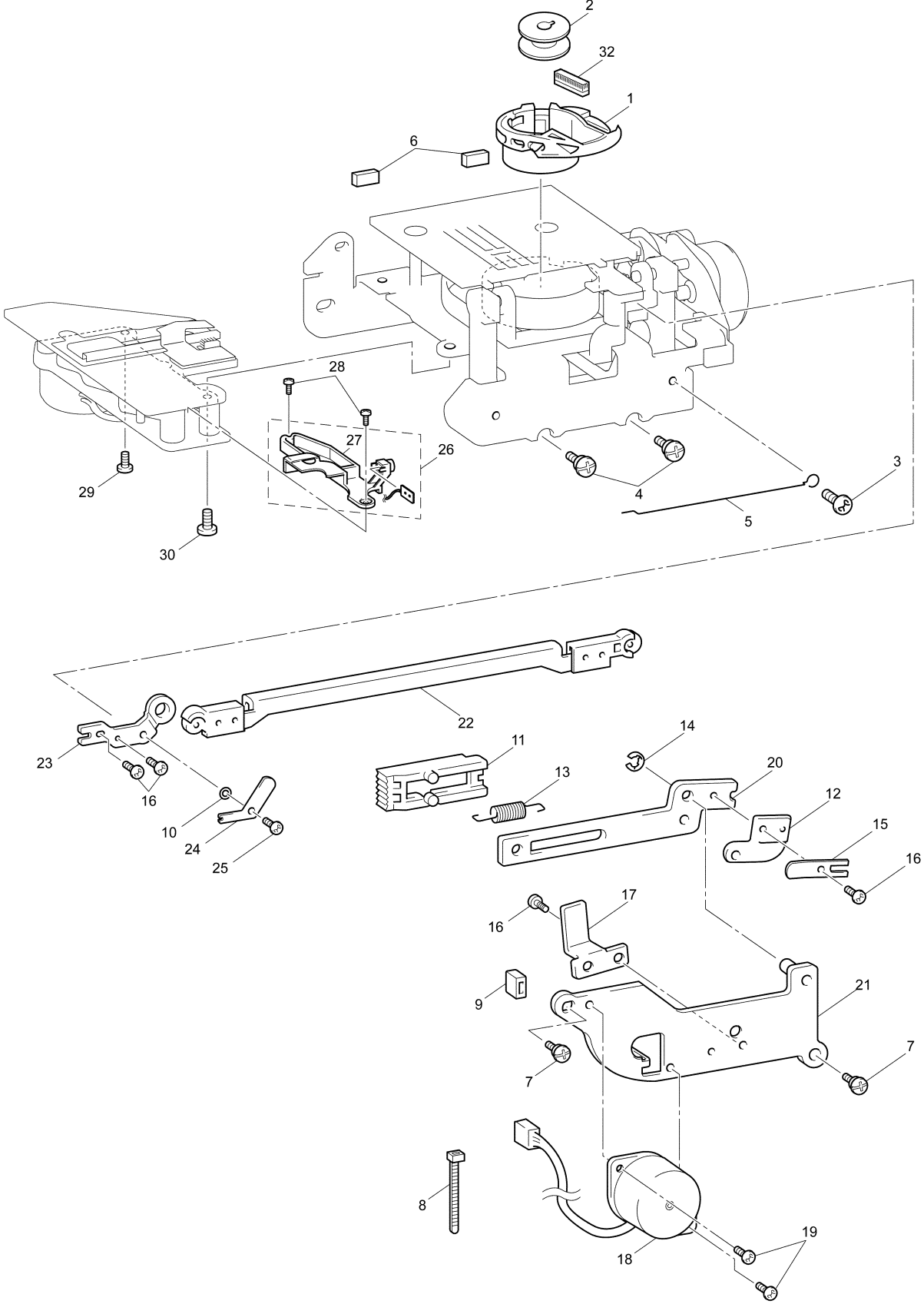
(2) UPPER SHAFT / NEEDLE BAR / PRESSER FOOT UNIT



(2) UPPER SHAFT / NEEDLE BAR / PRESSER FOOT UNIT

No.	CODE	NAME	REMARKS
UPPER SHAFT MECHANISM			
1	XC3246151	UPPER SHAFT ASSY	
2	XC2375051	PULLEY	
3	048060343	RETAINING RING, E6	1000001452
4	XC2380050	UPPER SHAFT PULLEY	
5	XC2383021	FIXED JOINT	060097
6	012500532	SET SCREW, SOCKET (FT) M5 × 5	
7	132421021	BUSHING PRESSER	060097
8	X57908021	TAPTITE, BIND S M4 × 10	060097
9	XC2384051	TIMING BELT 420-5GT-6	
10	XC2385051	TENSION PULLEY ASSEMBLY	
11	138172021	SCREW, PAN (S/P WASHER) M4 × 10	060097
12	XD0362051	NP PCB ASSY FCOM	
13	X59629021	TAPTITE, BIND B M3 × 10	060097
14	XC2390251	PCB HOLDER	
15	060400816	SCREW, BIND M4 × 8	
16	XC3028051	INSULATION SHEET	
17	014400432	SET SCREW, SOCKET (CP) M4 × 4	
18	XD0587051	BELT GUARD	
19	XC3183051	FELT	
20	137947001	CLIP	
NEEDLE BAR / PRESSER FOOT UNIT			
21	XC2503051	SHAFT	
22	XC2297051	PRESSER PLATE A	
23	XC2298051	PRESSER PLATE B	
24	X57908021	TAPTITE, BIND S M4 × 10	060094
25	XC2504050	ADJUSTING SCREW	
26	XZ0380051	SCREW, PAN (WASHER) M3 × 18	
27	XC2505050	PLATE SPRING	
28	060400516	SCREW, BIND M4 × 5	
29	XD0365051	PCB UNIT: LED LAMP-FL	
30	XZ0149021	TAPTITE, PAN B 4 × 12	060094
31	048050343	RETAINING RING, E5	1000001452
32	XC4473001	WIRE ASSY	
33	XA6198004	SPRING, COMPRESSION	1000022999
34	048040343	RETAINING RING E4	1000001452
35	048030343	RETAINING RING E3	1000001452

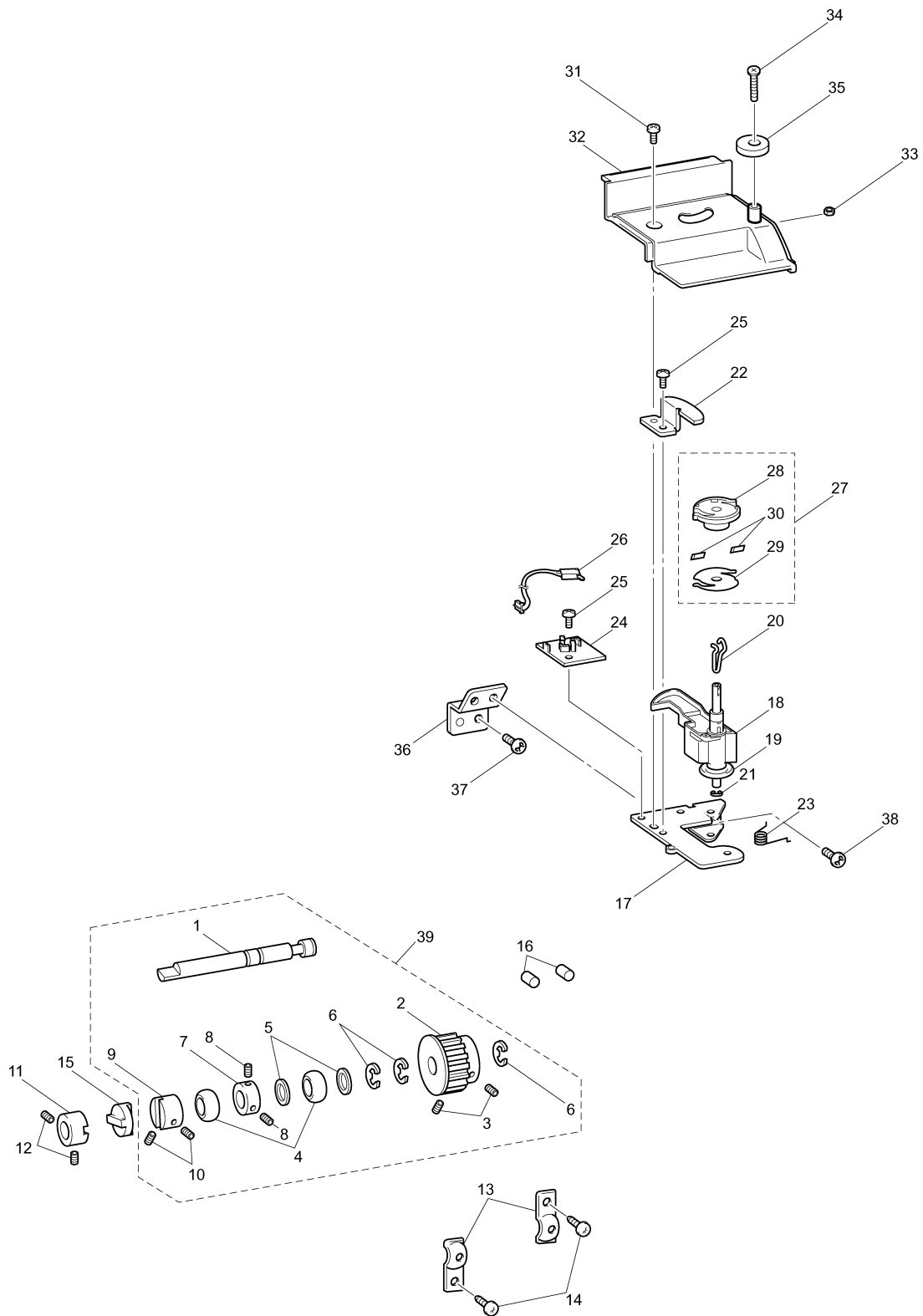
(3) FEED / SIDE FEED / THREAD CUTTING UNIT



(3) FEED / SIDE FEED / THREAD CUTTING UNIT

No.	CODE	NAME	REMARKS
FEED UNIT			
1	XC3153321	INNER ROTARY HOOK ASSY	1000017150
2	X52800120	BOBBIN	060148
3	060300416	SCREW, BIND M3 × 4	
4	XC3096051	SCREW M4	
5	XZ0190051	LEADLINE GUIDE	
6	XZ0160051	SHEET	
SIDE FEED MECHANISM			
7	X57908021	TAPTITE, BIND S M4 × 10	060143
8	X53169020	BAND	1000006849
9	XA2189050	RUBBER	
10	XA2401050	WASHER	
11	XA9506051	SIDE FEED GEAR	
12	XA9507050	SIDE FEED WASHER	
13	XA9508051	SPRING, EXTENSION	
14	048030343	RETAINING RING, E3	1000001452
15	XA9514051	SPRING, PLATE A	
16	060300616	SCREW, BIND M3 × 6	
17	XC0411051	S STOPPER	
18	XC5340021	MOTOR, PULSE: S SMJ35-4840-E	
19	060300416	SCREW, BIND M3 × 4	
20	XC6258051	SIDE FEED PLATE	
21	XC8418051	SPM HOLDER ASSY	
22	XC6259051	SIDE FEED ARM ASSY	
23	XC6263051	SIDE FEED ADJUST PLATE	
24	XC6264051	SPRING, PLATE B	
25	060300516	SCREW, BIND M3 × 5	
THREAD CUTTING UNIT			
26	XC8329151	PHOTO TRANSISTOR ASSY	
27	XC9199051	SENSOR HOLDER	
28	0A4300605	SCREW, PAN (S/P WASHER) M3 x 6	
29	060400516	SCREW BIND M4X5	
30	060300516	SCREW BIND M3X5	
31	X53169020	BAND	1000006849
32	XC3137000	PILE	1000019975

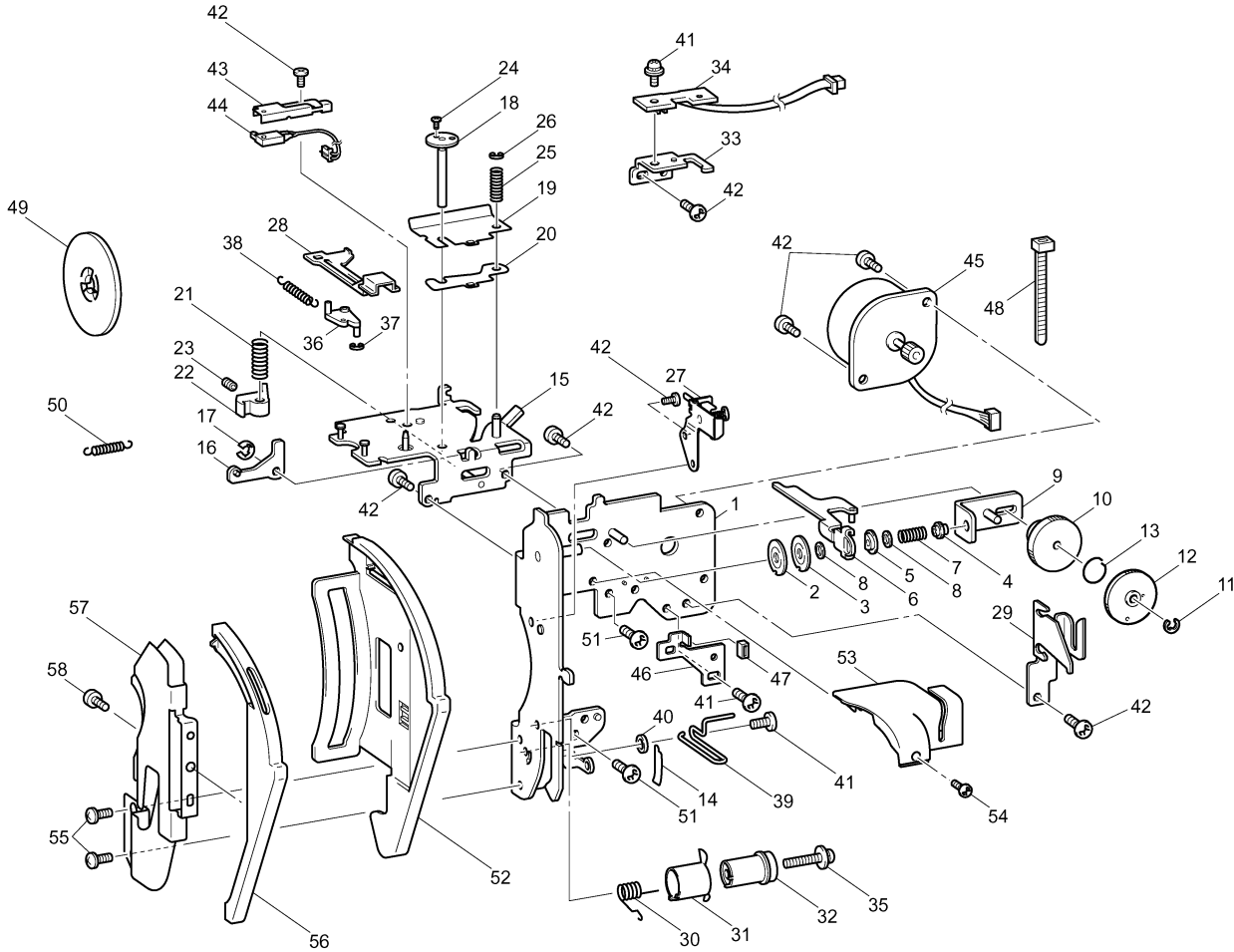
(4) LOWER SHAFT / BOBIN WINDING MECHANISM



(4) LOWER SHAFT / BOBIN WINDING MECHANISM

No.	CODE	NAME	REMARKS
LOWER SHAFT MECHANISM			
1	XC2600050	LOWER SHAFT A	
2	XC4943021	TIMING PULLEY D	1000000444
3	014500532	SET SCREW, SOCKET (CP) M5 × 5	1000000444
4	X52664050	LOWER SHAFT BUSHING	
5	X51383050	WASHER, THRUST	
6	048060343	RETAINING RING, E6	1000001452
7	137768151	SET SCREW COLLAR	
8	014400432	SET SCREW, SOCKET (CP) M4 × 4	
9	XC2602021	JOINT	060101
10	012500532	SET SCREW, SOCKET (FT) M5 × 5	
11	XC2602021	JOINT	060101
12	012500532	SET SCREW, SOCKET (FT) M5 × 5	
13	132421021	BUSHING PRESSER	060101
14	X57908021	TAPTITE, BIND S M4 × 10	060101
15	XC2603050	DISK	
16	XC3183051	FELT	
BOBIN WINDING MECHANISM			
17	XC2605051	BOBBIN WINDER ASSEMBLY HOLDER	
18	XC2606251	BW SHAFT HOLDER ASSEMBLY	
19	X55238051	RUBBER RING	
20	XZ5039001	BOBBIN WINDER SHAFT SPRING	1000007062
21	048050343	RETAINING RING, E5	
22	XA2862051	BOBBIN WINDER SHAFT STOPPER	
23	X59939051	BOBBIN WINDER SPRING	
24	XC2614051	SW ADJUST PLATE	
25	060300616	SCREW, BIND M3 × 6	
26	XC2612051	SW ASSY: BW-F	
27	XC4672051	BOBBIN BASE ASSY	
28	XC2616051	BOBBIN BASE	
29	XA5877051	BOBBIN THREAD CUTTER HOLDER	
30	X80321021	NT LOWER THREAD CUTTER	060143
31	XA8390051	SCREW	
32	XC9590051	BOBBIN WINDER COVER	
33	021300205	NUT, 1 M3	
34	0A4302506	SCREW PAN (S/P WASHER) M3X25	
35	XC4517151	BOBBIN PRESSER	1000018473
36	XC2615051	BW HOLDER SUPPORTER	
37	X57908021	TAPTITE, BIND S M4 × 10	060115
38	060400816	SCREW, BIND M4 × 8	
39	XC2599021	LOWER SHAFT A ASSY	1000001116

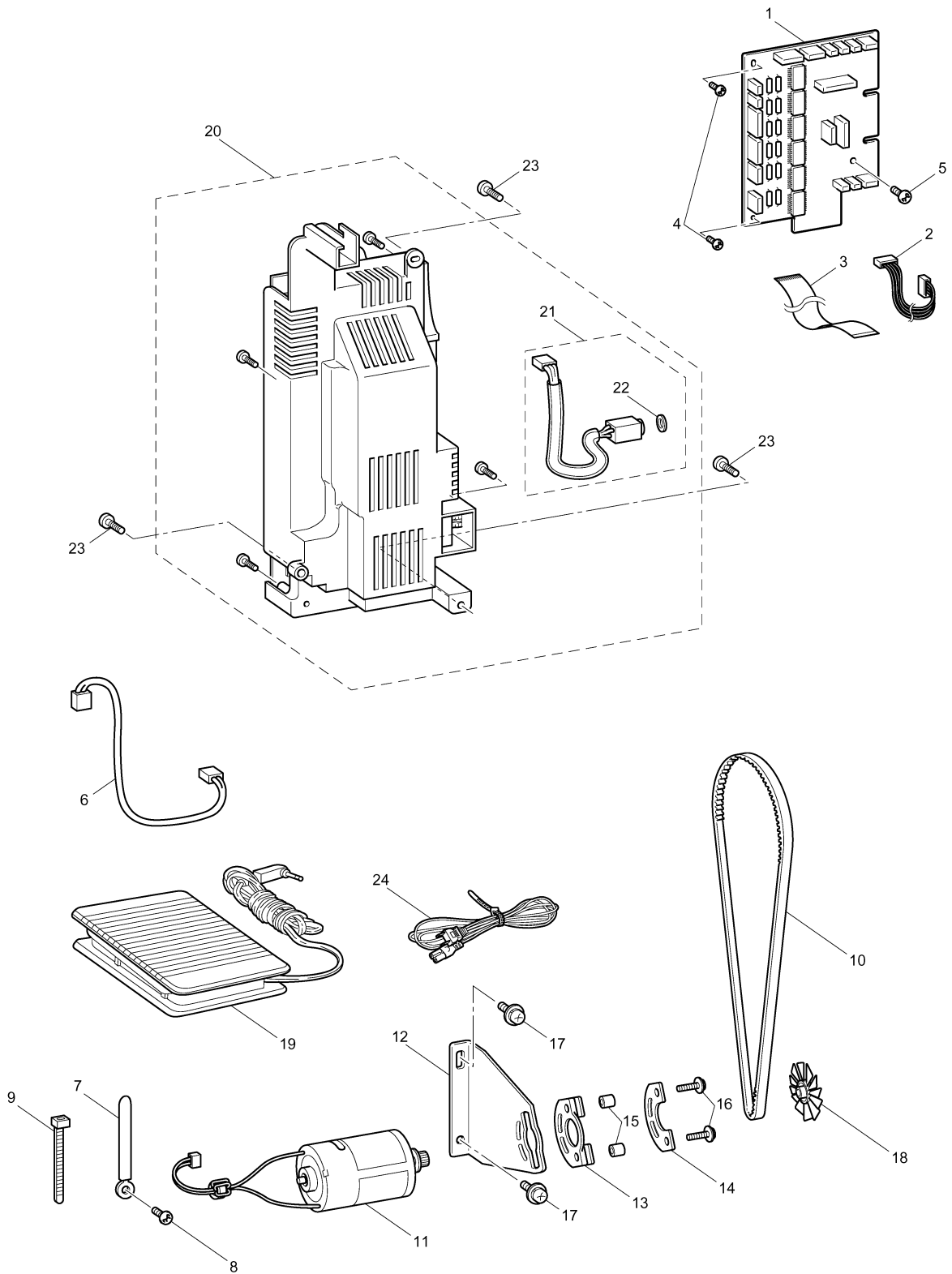
(5) NEEDLE THREADING MECHANISM



(5) NEEDLE THREADING MECHANISM

No.	CODE	NAME	REMARKS	No.	CODE	NAME	REMARKS
1	XC2624351	THREAD GUARD ASSEMBLY		45	XC4407021	MOTOR, PULSE: AT SMJ35-4840-D	
2	XA0083121	TENSION DISC A	1000006407	46	XC4484051	INITIAL ADJUSTING PLATE	
3	XC2626121	TENSION DISC B	1000006407	47	XC3253051	RUBBER	
4	XC3437051	TENSION ADJUSTING SCREW		48	X53169020	BAND	060143
5	XA1388021	TENSION DISC WASHER	060149	49	XE1372001	SPOOL PRESSER C	060144
6	XC2627051	TENSION RELEASE PLATE ASSY		50	XA9787051	SPRING	
7	XA9900051	THREAD TENSIONSPRING		51	085411015	TAPTITE, BIND B M4 × 10	
8	XD0573021	WASHER	060149	52	XD0384151	THREAD GUIDE COVER	
9	XA9562051	TENSION PLATE ASSY		53	XD0386051	FRONT THREAD GUARD COVER	
10	XZ0171051	THREAD TENSIONCAM		54	060300416	SCREW, BIND M3 × 4	
11	048030343	RETAINING RING, E3	1000001452	55	XC7564021	SCREW, PAN (S/P WASHER) M3X6	060149
12	XZ0170051	THREAD TENSION GEAR COVER		56	XD0389051	THREAD GUIDE COVER	
13	X56323021	SPRING	060149	57	XC9745151	THREAD GUIDE	
14	XA9935050	SPRING TAPE		58	X59629021	TAPTITE, BIND B M3X10	060149
15	XC2635151	TENSION RELEASE HOLDER ASSY					
16	XA9571051	TENSION RELEASERLINK					
17	048030343	RETAINING RING, E3	1000001452				
18	XC2638151	TENSION PRESSURE ASSY					
19	XA9575051	TENSION PLATE					
20	XA9576051	SPACER					
21	XA9577051	SPRING					
22	XC2640051	TENSION RELEASE CAM					
23	012300432	SET SCREW, SOCKET (FT) M3 × 4					
24	X57363051	POWER LOCK 2 × 3					
25	X57605051	SPRING					
26	048020343	RETAINING RING, E2	1000001452				
27	XC2644051	PLATE ASSEMBLY					
28	XC9740051	THREAD GUIDE SHUTTER					
29	XC2749051	THREAD GUIDE					
30	XC6957121	THREAD TAKE UP SPRING	1000005353				
31	XE5731001	THREAD CUTTING SHUTTER	1000010311				
32	XD0377151	THREAD CATCHING SPRING CASE FE	1000003352				
33	XD0379051	THREAD SENSOR HOLDER FE					
34	XD0380051	UPTHREAD PCB ASSY FCOM					
35	0A4302006	SCREW PAN (S/P WASHER) M3X20					
36	XC2649050	THREAD GUIDE SHUTTER LINK					
37	048030343	RETAINING RING, E3	1000001452				
38	XC2650151	SPRING	1000022132				
39	XD0383050	THREAD GUIDE WIRE FE					
40	XA9996051	WASHER, PLAIN					
41	XC7564021	SCREW, PAN (S/P WASHER) M3X6	060149				
42	060300416	SCREW, BIND M3 × 4					
43	XC2641051	PRESSER SWITCH HOLDER					
44	XC2642051	SW ASSY: PF-F					

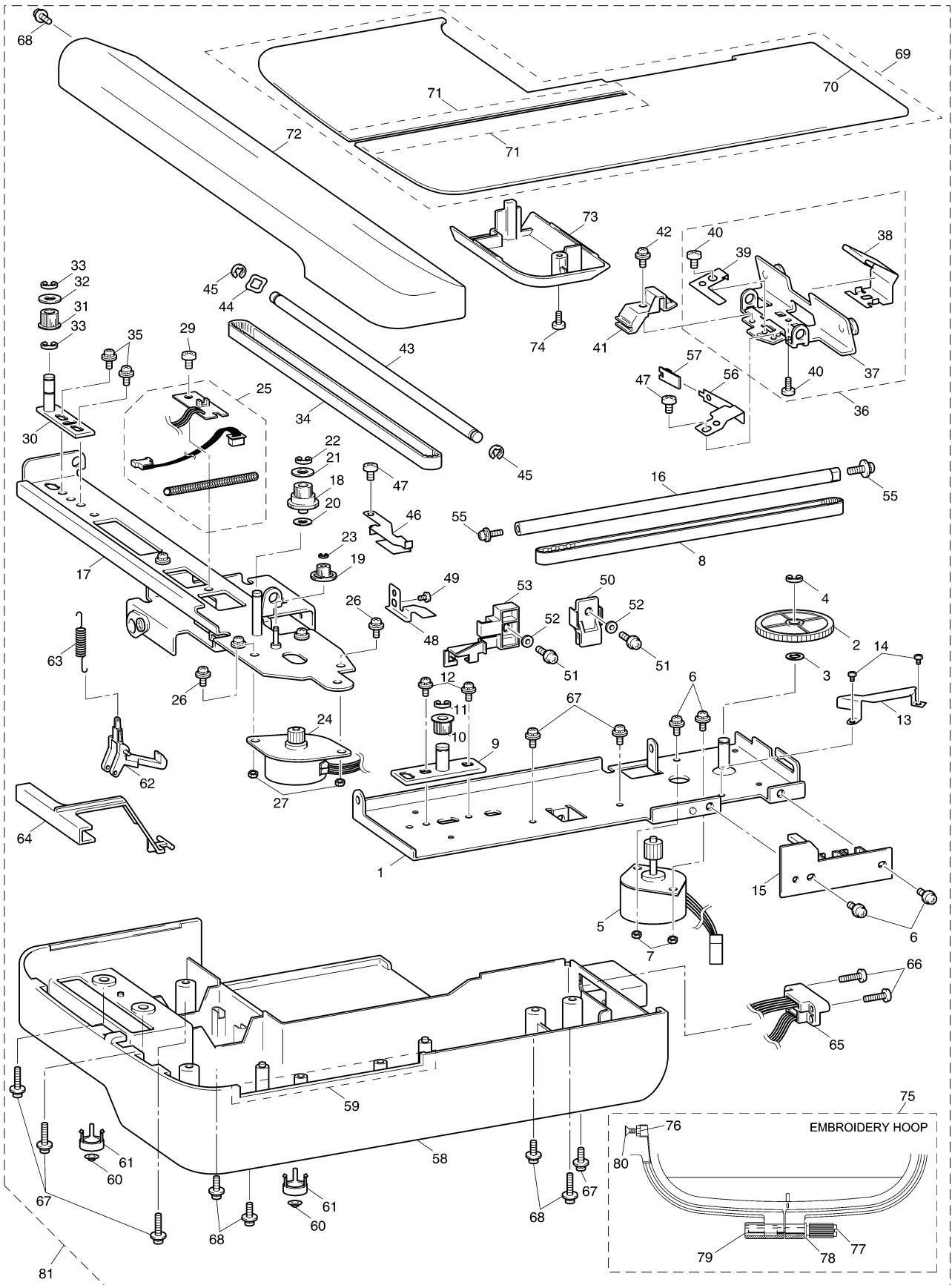
(6) ELECTRIC PARTS / POWER SUPPLY / MAIN MOTOR UNIT



(6) ELECTRIC PARTS / POWER SUPPLY / MAIN MOTOR UNIT

No.	CODE	NAME	REMARKS
ELECTRIC PARTS			
1	XD1924051	MOTOR PCB SUPPLY ASSY	1000012307
2	XD0394051	LEAD WIRE ASSY POWER	
3	XD0395051	FFC: UL2896SFBNCD-P0.5-L1-50	
4	136681021	TAPTITE, BIND B M3X8	060119
5	060400816	SCREW, BIND M4 × 8	
6	XC2672051	LEAD ASSY: BH CABLE-F	
7	XA0286021	WIRE CLIP	060119
8	X57908021	TAPTITE, BIND S M4 × 10	060119
9	X53169020	BAND	060119
MAIN MOTOR UNIT			
10	XC2685051	T BELT494-2GT-6	
11	XC2687051	ASSY: MAIN MOTOR-F (EU, CHL)	
	XE0101001	MAIN MOTOR FV ASSY (U.S.A., CAN)	ADD
12	XC2690051	MOTOR HOLDER	
13	XA9649050	FENDER RUBBER	
14	XA9650051	MOTOR SPACER PRESSER	
15	XC3027051	SPACER 4 × 6	
16	XC7568051	SCREW, PAN (S/P WASHER) M4 × 14	
17	XA8474021	UPSET 4 × 12 DB	060117
18	XA9652150	MOTOR FAN	
19	XD0501021	FOOT CONTROLLER: FC-322-LF-EU (IRE, GER, U.K., FRA, ITA, NEU, EEU)	060117
	XC8816021	FOOT CONTROLLER: FC-322-81-LF (SIN, AUS, U.S.A., CAN, CHL)	060117
POWER SUPPLY UNIT			
20	XD1235151	POWER SUPPLY UNIT F230 (EU, CHL)	1000000807
	XE0385101	POWER SUPPLY UNIT F120 FCC (US)	1000000807
21	XC4488051	FC JACK-F SUPPLY ASSY (EU)	
	XE1345001	FC JACK FCC SUPPLY ASSY (US)	060134
22	XD1973021	NUT F	060160
23	XC7568051	SCREW, PAN (S/P WASHER) M4X14	
24	X59354121	POWER SUPPLY CORD –BS (IRE, U.K.)	060116
	XA0070121	POWER SUPPLY CORD (GER, FRA, ITA, SIN, NEU, EEU, CHL)	060116
	XC9548021	POWER SUPPLY CORD: SAA-LF (AUS)	060116
	XC6052021	POWER SUPPLY CORD: UL CSA-LF (U.S.A., CAN)	1000006796
	XA5820021	MAIN POWER CODE (CHINA)	ADD

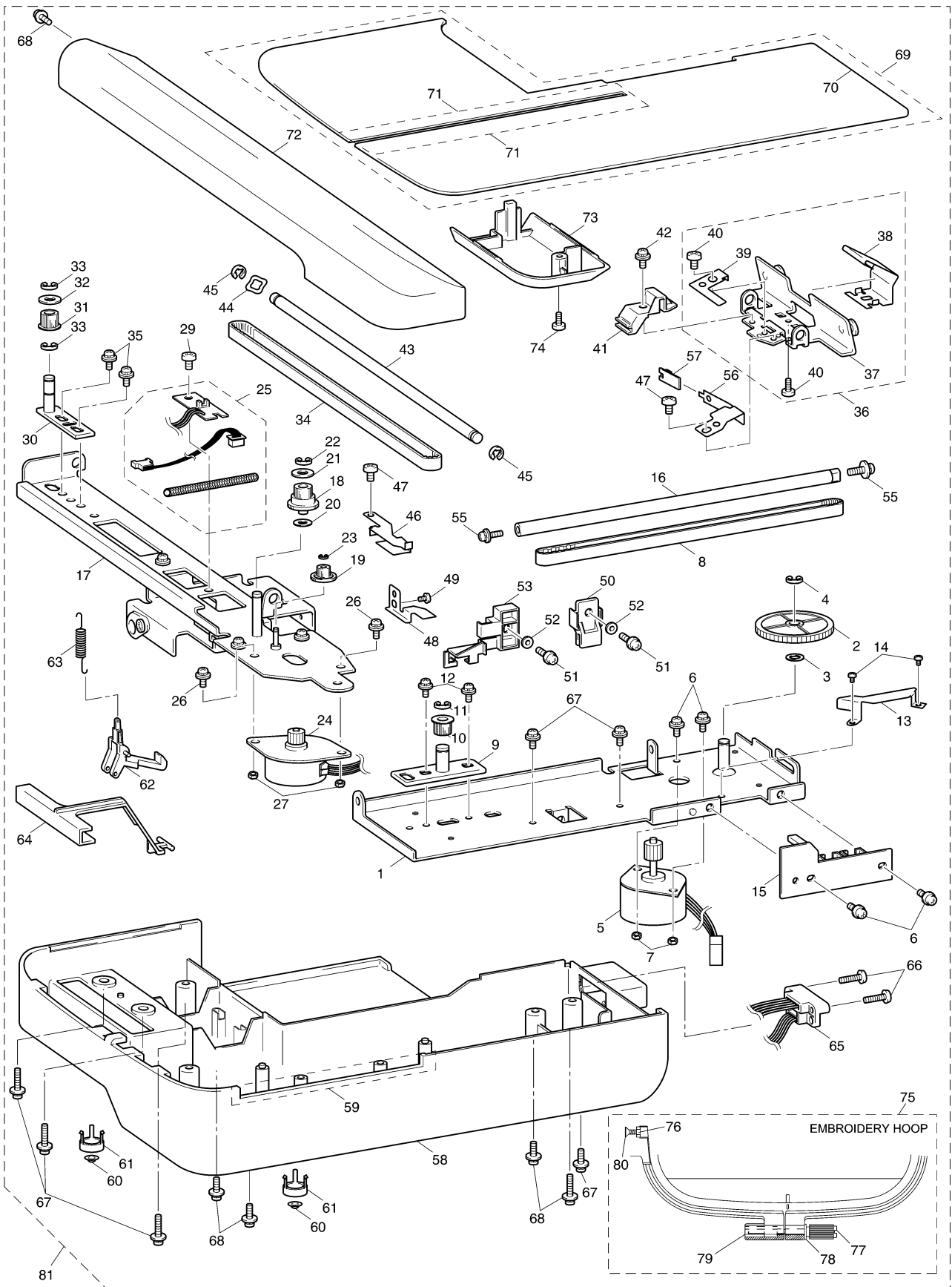
(7) EMBROIDERY UNIT



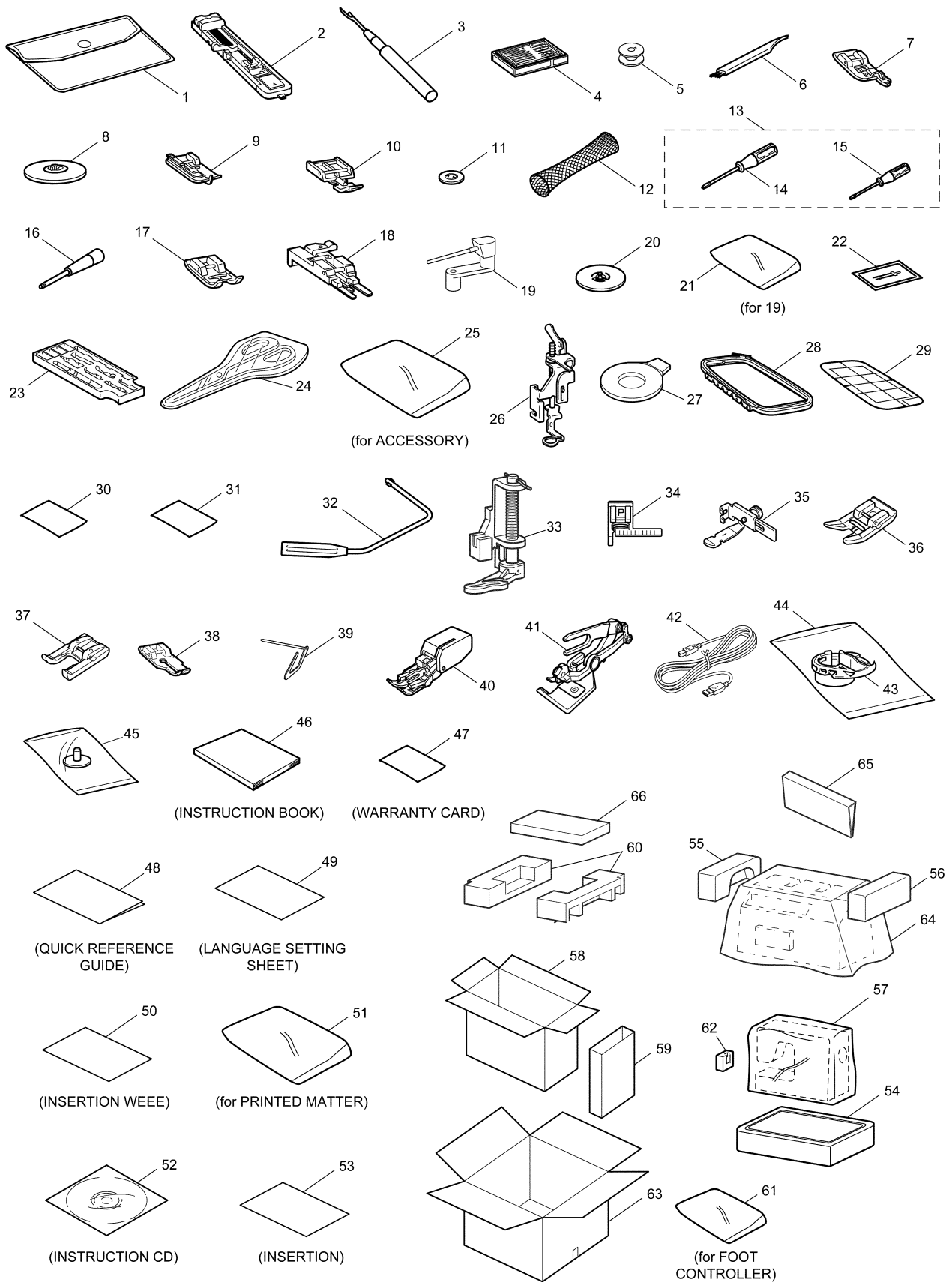
(7) EMBROIDERY UNIT

No.	CODE	NAME	REMARKS	No.	CODE	NAME	REMARKS
1	XD0413051	MAIN FRAME SUB ASSY		45	048040343	RETAINING RING E4	1000001452
2	XD1350050	X DRIVING GEAR PULLEY		46	XE0391001	CORD GUIDE ASSY	060053
3	XE2199001	WASHER SPRING	1000001046	47	060300416	SCREW BIND M3X4	
4	048040343	RETAINING RING E4	1000001452	48	XD0447050	X INITIAL SHUTTER	
5	XD0415151	X PULSE MOTOR SMJ40-4888-B		49	060400616	SCREW BIND M4X6	
6	XA8390021	SCREW, PAN (S/P WASHER) M3X7	060150	50	XA2144350	X BELT PRESSER	
7	021300205	NUT 2 M3		51	XC7567051	SCREW, PAN (S/P WASHER) M4X12	
8	XA2123051	TIMING BELT 62S2M494		52	027040226	WASHER EX TOOTH 4	1000000560
9	XD0418051	X TENSION PULLEY ASSY		53	XD0448150	X SLIDER	
10	XA2127050	TENSION PULLEY		54	XD1814051	NYLON SLEEVE	1000013932
11	048040343	RETAINING RING E4	1000001452	55	XC7566051	SCREW, PAN (S/P WASHER) M4X8	
12	XC7566051	SCREW, PAN (S/P WASHER) M4X8		56	XD0768051	Y GUIDE SHAFT PRESSER PLATE	
13	XD0421050	OIL GUARD PLATE		57	XD0769050	Y GUIDE SHAFT PRESSER	
14	060300416	SCREW BIND M3X4		58	XD0452051	ES BASE COVER	
15	XD0422051	EMB RELAY PCB ASSY		59	XD0453051	GROOVE COVER	
16	XA2128051	X GUIDE SHAFT		60	X59853020	RUBBER CUSHION	060150
17	XD0426151	X CARRIAGE ASSY		61	XC8094051	RUBBER CUSHION COVER	
18	XD1351050	Y DRIVING GEAR PULLEY		62	XD0454051	LOCK FINGER	
19	XD1161050	IDLE GEAR		63	XC8096051	SPRING	
20	XE2199001	WASHER SPRING	1000001046	64	XD0455051	LOCK RELEASE LEVER	
21	025060235	WASHER PLAIN M 6		65	XD0456051	LEAD WIRE ASSY EMB UNIT FCOMB	
22	048040343	RETAINING RING E4	1000001452	66	085301616	TAPTITE BIND P M3X16	060075
23	048030343	RETAINING RING E3	1000001452	67	087411416	TAPTITE CUP B M4X14	
24	XD0432151	Y PULSE MOTOR SMJ35-4823-F		68	XC7566051	SCREW, PAN(S/P WASHER)M4X8	
25	XE3234001	LEAD WIRE SUPPLY ASSY: SLEEVE	1000004535	69	XD0457051	ES MAIN COVER ASSY	
26	XA8390021	SCREW, PAN (S/P WASHER) M3X7	060150	70	XD0458051	ES MAIN COVER	
27	021300205	NUT 2 M3		71	XD0453051	GROOVE COVER	
28	XD0436051	Y SENSOR PCB ASSY	1000013932	72	XD0461051	X CARRIAGE COVER	
29	060300416	SCREW BIND M3X4		73	XD0463051	YPM COVER	
30	XD0438051	Y TENSION PULLEY ASSY		74	085301017	TAPTITE BIND P M3X10	
31	XA2127050	TENSION PULLEY		75	XE4586001	EF26 985 EMBROIDERY FRAME LARG	1000010621
32	025060235	WASHER PLAIN M 6		76	021300106	NUT 1 M3	
33	048040343	RETAINING RING E4	1000001452	77	XE4590001	THUMB SCREW	1000012264
34	XC8041051	TIMING BELT 40S2M530		78	X59422001	WASHER	
35	XC7566051	SCREW, PAN (S/P WASHER) M4X8		79	XA6982001	NUT	
36	XD0441151	Y CARRIAGE ASSY	1000017347		XD0466051	ES CARTON	
37	XD0442051	Y CARRIAGE PLATE SUB ASSY			XD0468150	ES POLYSTYRENE FOAM T	
38	XD0444151	HOOP FIXED SPRING	1000017347		XD0469050	ES POLYSTYRENE FOAM U	
39	XD0445050	Y INITIAL SHUTTER			X61231021	BAG 400X500H	1000013217
40	060300416	SCREW BIND M3X4			XC2208001	BAG 240X330H	1000012991
41	XA4710250	Y SLIDER		80	061300606	SCREW FLAT M3X6	ADD
42	XA8390021	SCREW, PAN (S/P WASHER) M3X7	060150	81	XD1234251	EMBROIDERY PACKING ASSY (OTHER)	1000008670
43	XA2139051	Y GUIDE SHAFT			XE0550201	EMBROIDERY PACKING ASSY (U.S.A.)	1000008670
44	103810022	WASHER, WAVE SPRING	060150		XE5790001	EMBROIDERY PACKING ASSY (NV1200: CHL)	1000010470

(7) EMBROIDERY UNIT



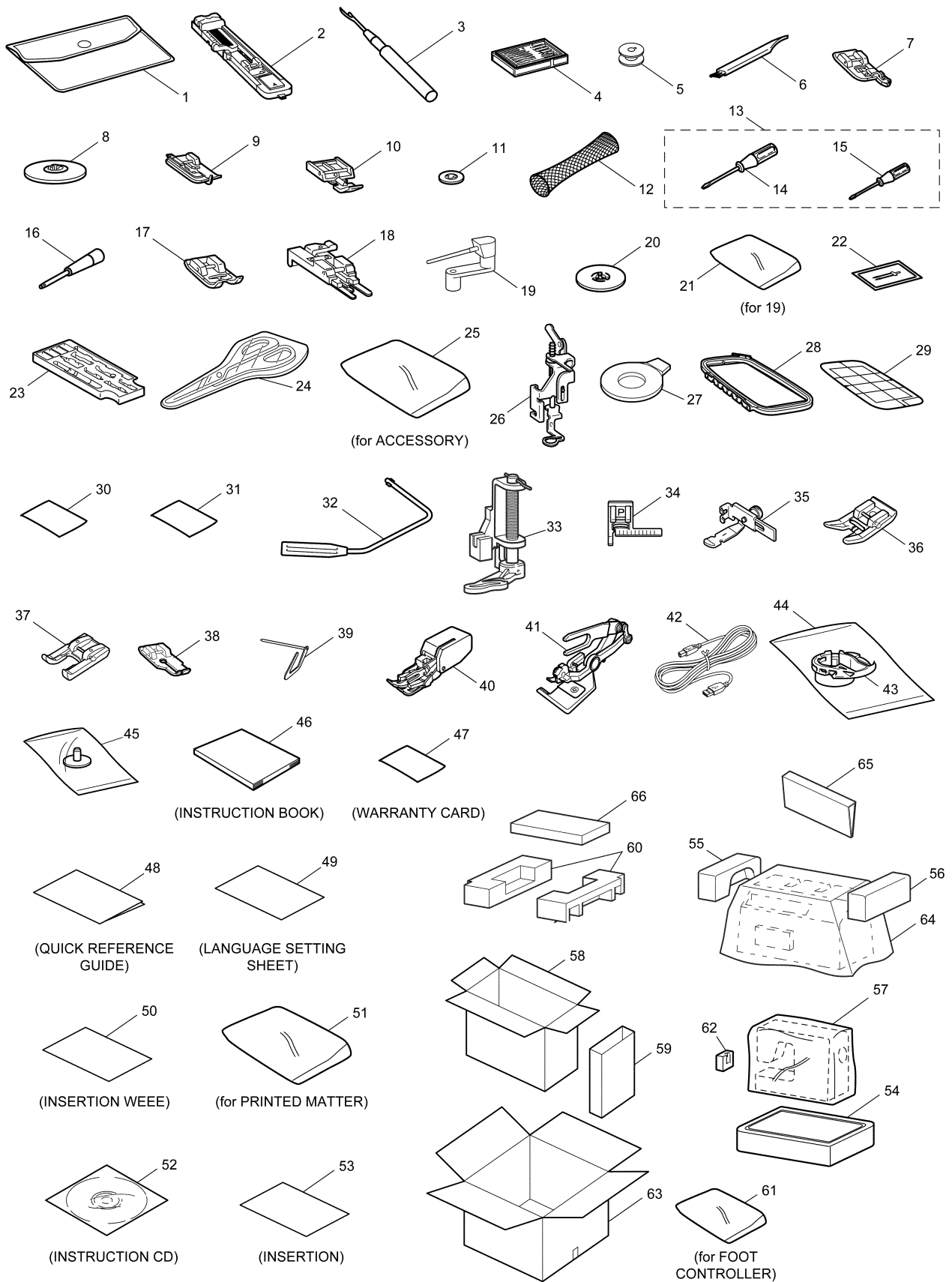
(8) ACCESSORY PARTS / USER MANUAL / PACKAGE



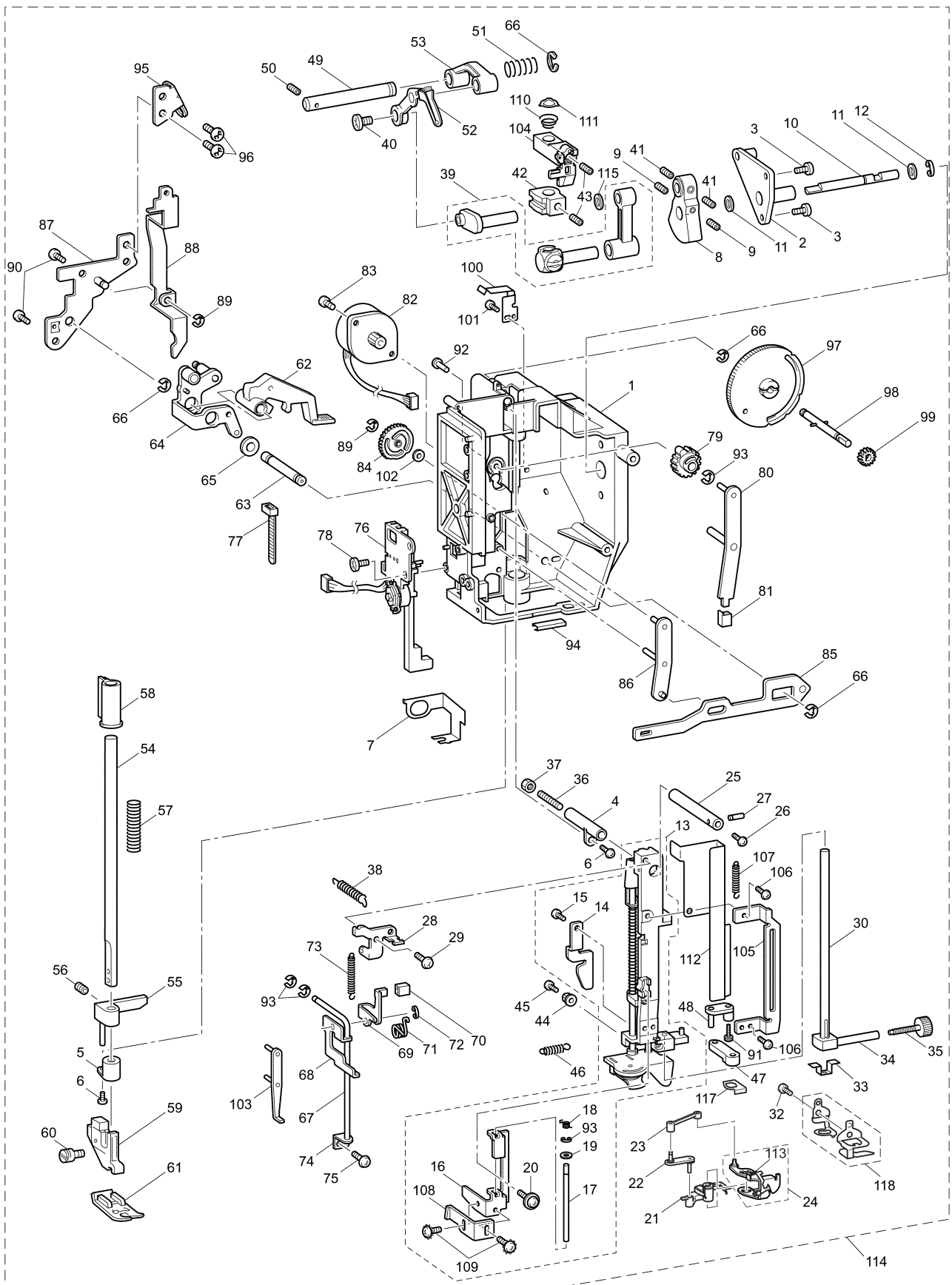
(8) ACCESSORY PARTS / USER MANUAL / PACKAGE

No.	CODE	NAME	REMARKS	No.	CODE	NAME	REMARKS
ACCESSORY PARTS				USER MANUAL / OTHER PARTS			
1	XC4487021	ACCESSORY BAG	060100	45	XC8661251	BOBBIN GUIDE SET (U.S.A.)	1000009362
2	XC2691023	BH PRESSER FOOT ASSY	060100		XD0897151	BOBBIN GUIDE SET (CAN)	1000009362
3	XZ5082001	SEAM RIPPER	1000020346	USER MANUAL / OTHER PARTS			
4	X58358021	Z NEEDLE ASSY	060100	46	XD1534021	INSTRUCTION BOOK ENG (English)	060051
5	X52800120	BOBBIN	060100		XD1236021	INSTRUCTION BOOK GER (German)	060051
6	X59476021	CLEANING BRUSH	060100		XD1574021	INSTRUCTION BOOK FRE (French)	060051
7	XE6305101	OVERCASTING STITCH FOOT ASSY	1000017761		XD1575021	INSTRUCTION BOOK DUT (Dutch)	060051
8	130012054	SPOOL PRESSER A			XD1576021	INSTRUCTION BOOK ITA (Italian)	060051
9	XE2650001	BLIND STITCH FOOT ASSY	1000009241		XE1367001	INSTRUCTION BOOK (Chinese)	ADD
10	X59370021	ZIPPER FOOT	060100		XE5789001	INSTRUCTION BOOK SPA (Spanish)	1000010470
11	130013154	SPOOL PRESSER B		47	XC8945051	WARRANTY CARD T (U.S.A.)	ADD
12	XA5523020	NET	060100		XD1328221	WARRANTY CARD CHINA (CHINA)	1000012599
13	XE0243001	SCREW DRIVER ASSY	060020		XE2010001	WARRANTY CARD BROTHER CANADA	1000001038
14	XC8349021	SCREW DRIVER	1000013436	48	XD1237121	QUICK REFERENCE GUIDE	1000014577
15	X55468021	SCREW DRIVER S	1000013436	49	XD1238051	LANGUAGE SETTING SHEET (IRE, GER, U.K., FRA, ITA, NEU)	
16	XZ5051001	PUNCH	1000016202	50	XD0256121	INSERTION WEEE	1000002031
17	XD0810031	TRANSPARENCY PRESSER FOOT	060182	51	130800021	BAG, 230 × 310H	1000011228
18	XE2643001	BUTTONING FOOT ASSY	1000006460	52	XE1343101	INSTRUCTION CD (NEU)	1000004662
19	XC4654051	EXTRA SPOOL PIN ASSY		53	XE3485001	INSERTION (NEU)	1000004662
20	XE1372001	SPOOL PRESSER C	060144		XE8541001	INSERTION (for INNER ROTARY HOOK & INNER ROTARY HOOK BRACKET: EXCEPT: USA, CAN)	1000018357
21	X57367021	BAG, 135 × 150	060100		XE8340001	INSERTION (for INNER ROTARY HOOK & INNER ROTARY HOOK BRACKET: USA, CAN)	1000018358
22	X59296121	TWIN NEEDLE (1PC)	060100		XE8862201	INSERTION CE (TUR/SGP/UAE, AUS)	1000021700
23	XC4489051	ACCESSORY TRAY					
24	XC1807121	SCISSORS					
25	XA0188020	BAG 260 × 375HC	1000012991				
26	XD0474151	EMBROIDERY PRESSER ASSEMBLY	1000008446				
27	XC1074051	DISC-SHAPED SCREWDRIVER	1000011717				
28	XA5912001	EMBROIDERYFOOP LL ASSY					
29	XD0661051	EMBROIDERY SHEET LL ASSY F					
30	XD0611051	MANUAL					
31	XC9183151	MANUAL					
32	XA6941052	KNEE LIFTER LEVER ASSY					
33	XE8786001	QUILTING FOOT (EU, CAN)	1000019679				
34	X51804001	STITCH FOOT					
35	103561002	ZIPPER FOOT					
36	XA4783001	NO STICK FOOT H					
37	XE1105101	APPLIQUE FOOT ASSY	1000002053				
38	XA3805021	1/4'QUILTING FOOT (EU, CAN)	060104				
39	X59819021	QUILTER (EU, CAN)	060100				
40	XE1679201	WALKING FOOT ASSEMBLY (EU, CAN)	1000000446				
41	XC3198101	SIDE CUTTER ASSY (EU, CAN)	1000009333				
42	XD0745051	USB I/F CORE CABLE					
43	XC8167551	INNER ROTARY HOOK ASSY	1000017150				
44	XC6909050	PE BAG 90X100					

(8) ACCESSORY PARTS / USER MANUAL / PACKAGE



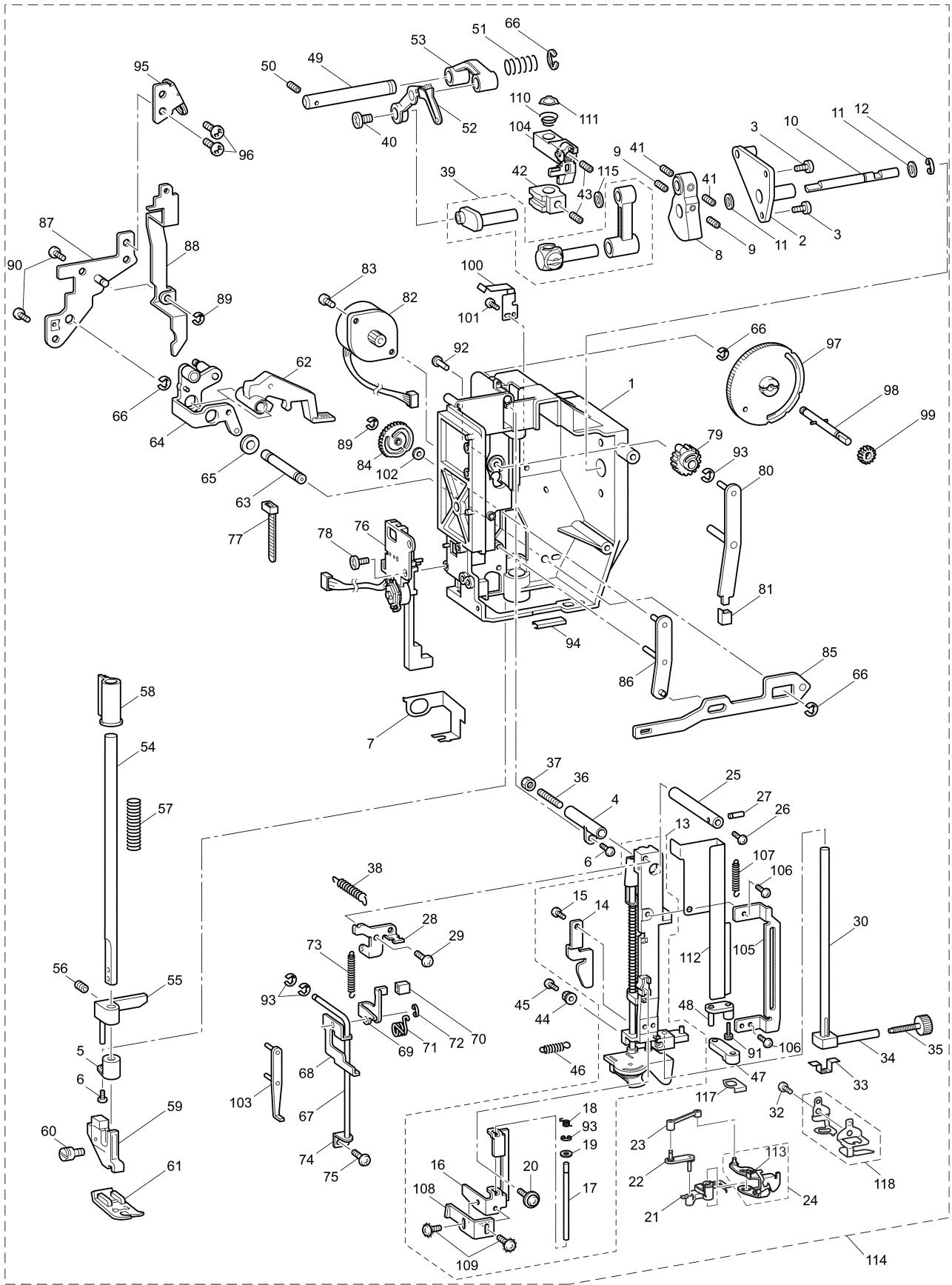
NEEDLE-PRESSER MODULE



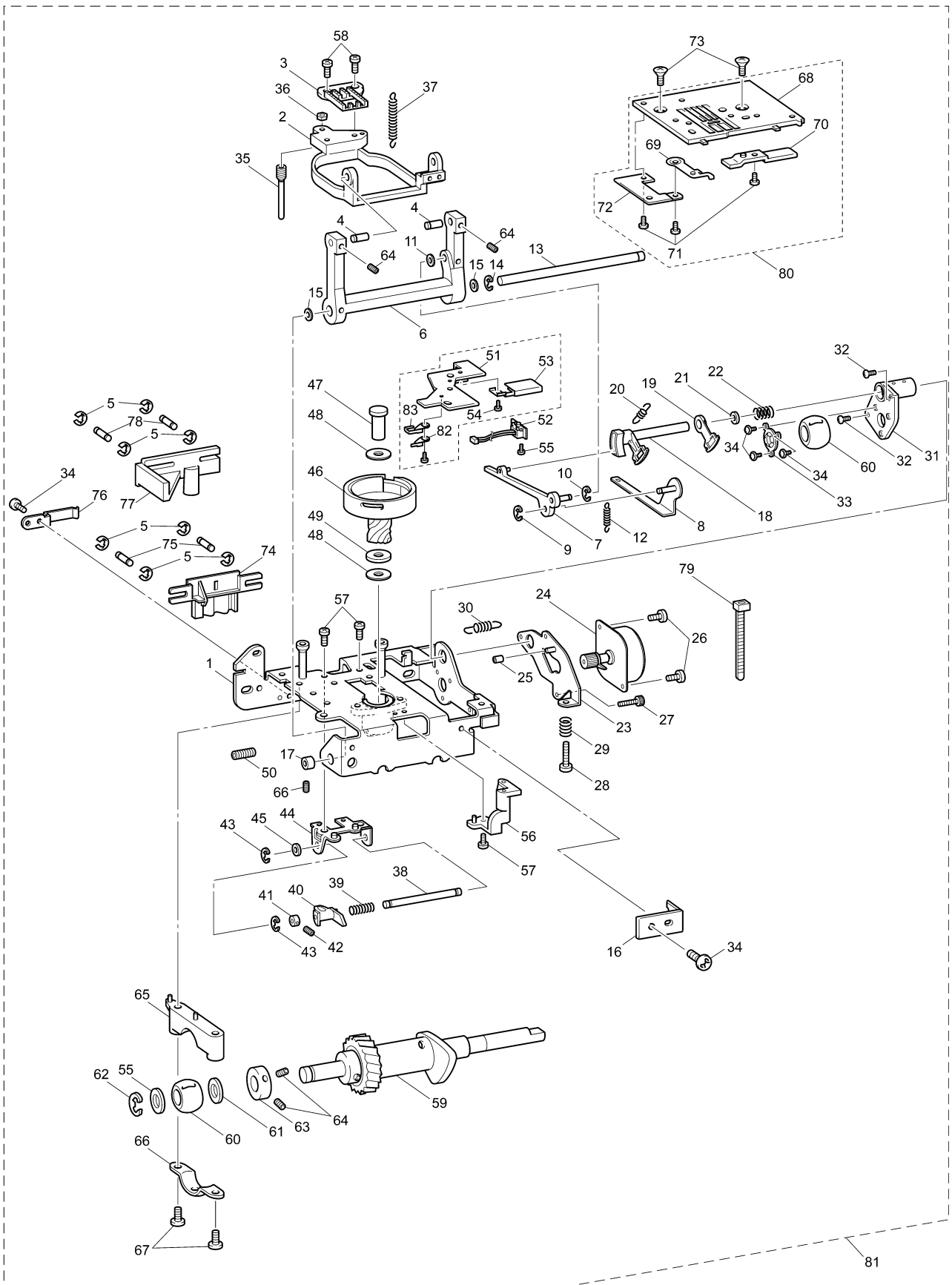
NEEDLE-PRESSER MODULE

No.	CODE	NAME	REMARKS	No.	CODE	NAME	REMARKS
1	XE0017101	UPPER UNIT HOLDER	1000008073	45	018301032	BOLT, SOCKET M3 × 10	
2	XC2395221	SHAFT BUSHING ASSEMBLY	1000014050	46	XC2748021	SPRING-Z	
3	XC7568051	SCREW, PAN (S/P WASHER) M4 × 14		47	XC2436021	NEEDLE HOLDER BROCK	
4	XC2398020	SHAFT BUSHING A		48	XC2437021	SHAFT ASSY	
5	XC2399021	PRESSER BAR BUSHING		49	XC2440051	SHAFT	
6	136681051	TAPTITE, BIND B M3 × 8		50	014300532	SET SCREW, SOCKET (CP) M3 × 5	
7	XC5362050	PLATE SPRING		51	XC2441021	SPRING	
8	XC2400021	THREAD TAKE-UP COUNTER WEIGHT		52	XC6239151	THREAD TAKE-UP LEVER ASSY	
9	012500532	SET SCREW, SOCKET (FT) M5 × 5		53	XC2443020	THREAD TAKE-UP LEVER LINK	
10	XC2401021	UNIT SHAFT		54	XC2444021	PRESSER BAR	
11	132434020	WASHER		55	XC2445021	PRESSER BAR CLAMP ASSY	
12	048060343	RETAINING RING, E6	1000001452	56	014501032	SET SCREW, SOCKET (CP) M5 × 10	
13	XD1230151	NEEDLE BAR SUPPORTER ASSY		57	XC4457051	SPRING	
14	XC9908150	HOOK RELEASE PLATE	060032	58	XC4458050	PRESSER SPRING SUPPORTER	
15	060260516	SCREW, BIND M2.6 × 5		59	XE2555101	PRESSER FOOT HOLDER ASSY	1000022487
16	XC3446051	RELEASE LEVER		60	132730122	TIGHTENING SCREW 3.57	1000003761
17	XC3447051	RELEASE LEVER SHAFT		61	XC3021031	Z FOOT	060160
18	XC3448051	RELEASE LEVER SPRING		62	XC9725051	PRESSER FOOT LIFTER	
19	137977050	POLYESTER SLIDER		63	XC4459051	PRESSER LIFT SHAFT	
20	0A2300606	SCREW PAN (P WASHER) M3X6		64	XC4460051	LIFTER ASSY	
21	XD1550251	THREADER HOOK ASSY	1000017223	65	XA1860150	WASHER	
22	XD1546051	LINK A ASSY		66	048040343	RETAINING RING, E4	1000001452
23	XD1548151	LINK B	1000009134	67	XC2453051	LEVER GUIDE SHAFT	
24	XC9613121	THREAD GUIDE ASSY	1000011660	68	XC2455021	LEVER A ASSY	
25	XC2419021	SHAFT		69	XC2458021	LEVER B	
26	000020416	SCREW BIND M2X4	1000016096	70	XC2459020	CAP	
27	XC2420050	SHAFT		71	XC2460021	TORSION SPRING	
28	XD1488051	PLATE		72	048030343	RETAINING RING, E3	1000001452
29	060300516	SCREW, BIND M3 × 5		73	XC2461021	SPRING	
30	XC2423021	NEEDLE BAR	060152	74	XC2462021	LEVER PRESSER PLATE	
31	XE0014104	NEEDLE BAR THREAD-GUIDE-Q	1000016793	75	138433051	TAPTITE, PAN B M3 × 6	
32	X53053052	SCREW SM2.38		76	XC2463121	BH SWITCH ASSY	
33	XC2426020	NEEDLE THREAD PLATE		77	X53169020	BAND	060143
34	XC2427051	NEEDLE BLOCK		78	XZ0149051	TAPTITE, PAN B 4 × 12	
35	XZ0388251	NEEDLE CLAMP SCREW	1000010409	79	XC2474020	Z ZIGZAG CAM	
36	014401232	SET SCREW, SOCKET (FT) M4 × 12		80	XC2476021	Z ZIGZAG LEVER ASSY	
37	X56851051	LOCK NUT		81	XC2480020	Z LEVER CUP	
38	XC2429021	SPRING		82	XC2481051	MOTOR, PULSE: Z SMJ35-4840-A	
39	XE2590001	NEEDLE BAR CRANK ROD ASSY	1000001910	83	X59629051	TAPTITE, BIND B M3X10	
40	132051052	SCREW, FLAT SM3.57-40 × 7 L		84	XC2483020	T CAM	
41	012500532	SET SCREW, SOCKET (FT) M5 × 5		85	XC2491121	THREAD RELEASER ASSY	1000013556
42	XC2434021	NEEDLE THREAD BLOCK		86	XC2494021	THREAD RELEASE LEVER ASSY	
43	012400432	SET SCREW, SOCKET (FT) M4 × 4		87	XC4465051	ADJUSTING PLATE ASSY	
44	XC2435020	ZIGZAG ADJUSTING NUT		88	XC2501121	TENSION RELEASER C	

NEEDLE-PRESSER MODULE



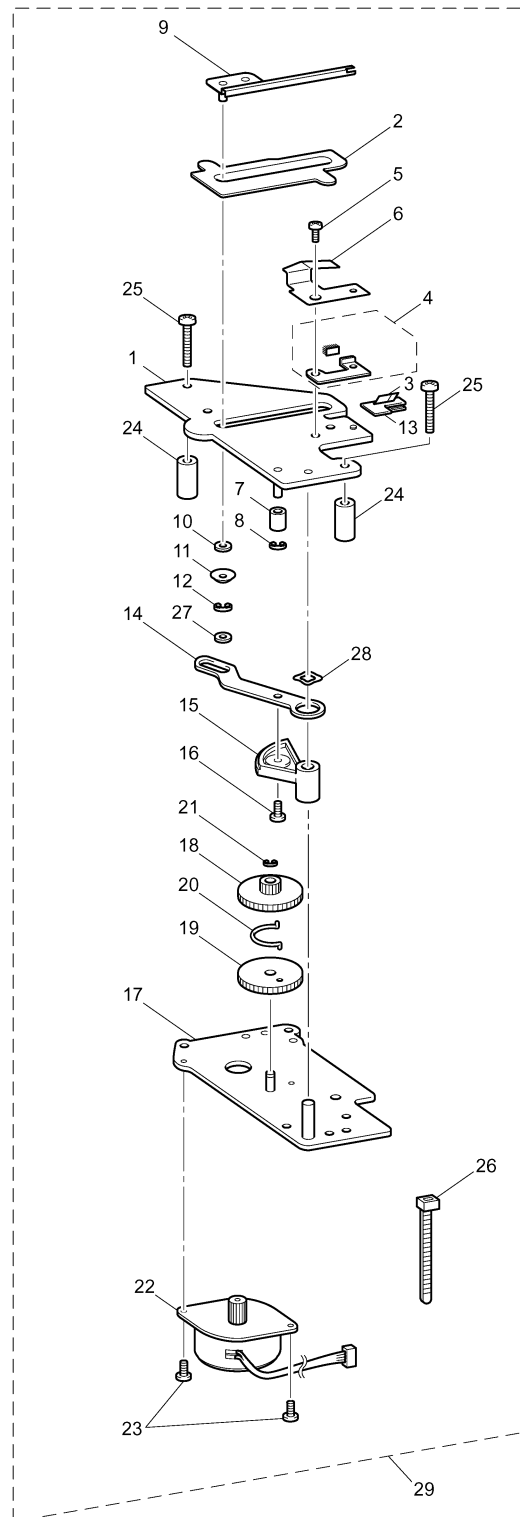
FEED MODULE



FEED MODULE

No.	CODE	NAME	REMARKS	No.	CODE	NAME	REMARKS
1	XC7638121	BASE PLATE	060148	45	137713020	POLYESTER SLIDER	060143
2	XC2510021	FEED BAR		46	XC2210021	OUTER ROTARY HOOK ASSY	1000023473
3	XE7489001	FEED DOG	1000020066	47	XD1943021	OUTER ROTARY HOOK SHAFT	060148
4	XC2512021	FEED BAR SHAFT A	060148	48	137805022	SPACER	060148
5	048020343	RETAINING RING, E2	1000001452	49	137976021	WASHER 6	060148
6	XC8337021	FEED ARM A		50	014400632	SET SCREW, SOCKET (CP) M4 × 6	
7	XC2517021	FEED ARM B ASSY		51	XC8406351	INNER ROTARY HOOK BRACKET ASSY	1000017150
8	XC2521021	FEED SUPPORTING PLATE ASSY		52	XC8350051	PHOTO DIODE HOLDER ASSY	
9	048020343	RETAINING RING, E2	1000001452	53	XC7866351	CORD HOLDER	1000012334
10	048030343	RETAINING RING, E3	1000001452	54	060260316	SCREW BIND M2.6X3	
11	137999020	POLYESTER SLIDER	060148	55	000020416	SCREW BIND M2X4	1000016096
12	XZ0174021	SPRING		56	XC2559221	STOPPER PLATE BLOCK ASSY	1000015861
13	XC7835051	HORIZONTAL FEED SHAFT		57	060400516	SCREW, BIND M4 × 5	
14	048050343	RETAINING RING, E5	1000001452	58	060300816	SCREW, BIND M3 × 8	
15	X50546020	WASHER, THRUST	060148	59	XC2562121	LOWER SHAFT B ASSY	
16	XC8195051	SHAFT STOPPER PLATE		60	X52664020	LOWER SHAFT BUSHING	060148
17	130676121	SET SCREW COLLAR	060148	61	X52383020	WASHER, THRUST	060148
18	XC2527121	FEED ADJUSTER	1000000154	62	048060343	RETAINING RING, E6	1000001452
19	XC2529020	F GEAR		63	137768121	SET SCREW COLLAR	060148
20	XC2530021	SPRING		64	014400432	SET SCREW, SOCKET (CP) M4 × 4	
21	137713020	POLYESTER SLIDER	060143	65	XC2566021	BUSHING SUPPORTER A	
22	XC2531021	SPRING		66	XC2567021	BUSHING PRESSER A	
23	XC2532021	FPM HOLDER ASSY		67	060401616	SCREW, BIND M4 × 16	
24	XC2534021	MOTOR, PULSE: F SMJ35-4840-C		68	XC7872151	NEEDLE PLATE A	
25	XC2587020	RUBBER	060143	69	XC9728051	STOPPER PLATE	
26	060300516	SCREW, BIND M3 × 5		70	XC2571121	F GEAR STOPPER PLATE	1000018284
27	XC3338021	SCREW3 × 8	060148	71	060260316	SCREW, BIND M2.6 × 3	
28	018402533	BOLT, SOCKET M4 × 25	1000002623	72	XE1488001	NEEDLE PLATE B SUPPORT PLATE	060162
29	XC2537021	SPRING		73	X50487021	SCREW M4	1000010447
30	XC2538021	SPRING		74	XC2572021	DROP KNOB	
31	XC2539021	BUSHING SUPPORTER ASSY		75	XC2573051	SLIDE SHAFT B	
32	060400616	SCREW, BIND M4 × 6		76	XC2574021	SPRING PLATE	
33	XC2542021	BUSHING PRESSER B		77	XD0372051	DROP LEVER FE	
34	060300516	SCREW, BIND M3 × 5		78	XC3587021	SLIDE SHAFT A	
35	XC3941021	VERTICAL ADJUSTER SCREW ASSY	060148	79	X53169020	BAND	060148
36	XC2546021	M5 NUT	060148	80	XC9727151	NEEDLE PLATE A ASSY	1000018284
37	XC2547021	SPRING		81	XD0972251	FEED SUPPLY UNIT ASSY U11 (EU)	1000018284
38	XC8361051	VERTICAL FEED SHAFT			XD0972252	FEED SUPPLY UNIT ASSY U11 (U.S.A., CAN)	1000018284
39	XC2550021	SPRING					
40	XC2551020	VERTICAL LEVER					
41	XC2552051	SET SCREW COLLAR		82	XC2558050	SPRING ASSIST PLATE	1000023399
42	014400432	SET SCREW, SOCKET (CP) M4 × 4		83	XE3331001	SPRING PLATE	1000023399
43	048030343	RETAINING RING, E3	1000001452				
44	XC7801021	VERTICAL SUPPORTING PLATE					

THREAD CUTTER MODULE



brother®

NV1200
05A06HF882U11