



**Home Sewing Machine**

# PARTS REFERENCE LIST

---

**MODEL: NV2200**

**CONFIDENTIAL**

©2011 Brother Industries, Ltd.  
All rights reserved.

Published: Jul.,2011  
Revised: Oct.,2013





# CONTENTS

(1) MAIN FRAME / COVER .....	2
LCD SUPPLY ASSEMBLY .....	6
(2) UPPER SHAFT / NEEDLE BAR / PRESSER FOOT UNIT ...	8
(3) FEED / SIDE FEED / THREAD CUTTING UNIT .....	10
(4) LOWER SHAFT / BOBBIN WINDING MECHANISM.....	12
(5) NEEDLE THREADING MECHANISM .....	14
(6) ELECTRIC PARTS / MAIN MOTOR UNIT .....	16
(7) EMBROIDERY UNIT .....	18
(8) ACCESSORY PARTS .....	22
(9) USER MANUAL / OTHER PARTS / PACKAGE .....	24
NEEDLE-PRESSER MODULE.....	26
FEED MODULE .....	30
THREAD CUTTER MODULE .....	34
SPARE PARTS.....	36

**Note on parts:**

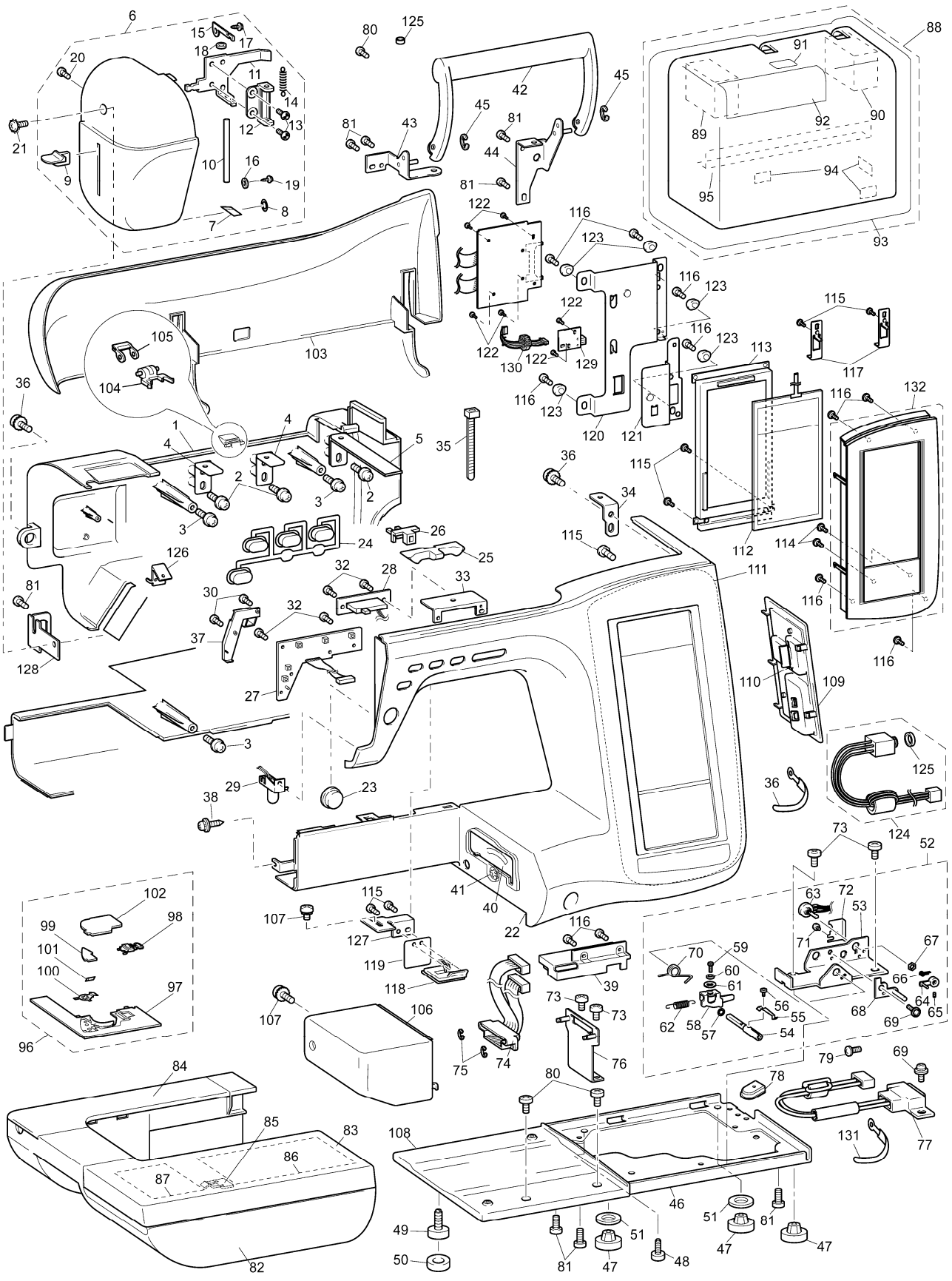
We keep performance parts for this sewing machine for at least 8 years after this model is discontinued. Performance parts are the necessary parts to maintain the function of the sewing machine.



## (1) MAIN FRAME / COVER

No.	CODE	NAME	R/H	REMARKS	No.	CODE	NAME	R/H	REMARKS
1	XD0304052	REAR COVER	R		45	048040343	RETAINING RING E4		1000038911
2	087411016	TAPTITE CUP B M4X10			46	XC7736051	BASE PLATE		
3	087411416	TAPTITE CUP B M4X14			47	XA1805051	BASE RUBBER A	H	
4	XC7717051	PLATE A			48	XA4687051	ADJUSTING SCREW ASSY		
5	XC7718051	PLATE B			49	062500816	SCREW PAN M5X8		
6	XC9376151	FACE PLATE ASSY	R		50	XA4689051	BASE PLATE RUBBER	H	
7	X80321001	NT LOWER THREAD CUTTER	H		51	131976050	WASHER,THRUST		
8	146200051	RETAINING RING, CS4			52	XC7737151	KNEE LIFTER ASSEMBLY		
9	XC2747051	NEEDLE THREAD LEVER KNOB			53	XC7738151	LIFTER BASE		
10	XC9386051	NEEDLE THREAD LEVER SHAFT			54	XC7739151	SHAFT		
11	XC9387051	NEEDLE THREAD LEVER			55	XA6215251	SPRING,PLATE		
12	XD0119050	NEEDLE THREAD LEVER SLIDER			56	060260316	SCREW BIND M2.6X3		
13	XA8390051	SCREW			57	X51383050	WASHER,THRUST		
14	XC9388051	THREAD THROUGH LEVER SPRING			58	XC7740051	LIFTER LINK		
15	XA6320050	SHAFT PRESSER PLATE			59	XA6252051	SCREW		
16	XA5525051	WASHER,PLAIN			60	028040242	WASHER SPRING 2-4		
17	138433051	TAPTITE,PAN B M3X6			61	026040236	WASHER PLAIN M 4		
18	XC0508050	RUBBER WASHER			62	XC7741051	SPRING		
19	X59629051	TAPTITE,BIND B M3X10			63	XC8208051	ASSY:KNEE LIFTER SENSOR		
20	0A6401206	SCREW PAN (T WASHER) M4X12			64	XA6493051	PT LEVER		
21	XC7566051	SCREW, PAN(S/P WASHER)M4X8			65	012300632	SET SCREW SOCKET (FT) M3X6		
22	XD0314151	FRONT COVER	R		66	XC7742051	SPRING		
23	XC7723051	SS-BUTTON			67	X52569001	NUT		
24	XC7724051	BUTTON			68	XC7743051	STOPPER PLATE ASSY		
25	XC7728051	SV KEYTOP			69	0A5400806	SCREW PAN (S/P WASHER) M4X8		
26	XC7729051	SV JOINT PLATE			70	XC8624051	KNEE LIFTER SPRING		
27	XC8199051	ASSY:SS PCB D6			71	060300416	SCREW BIND M3X4		
28	XC8202051	ASSY:VR PCB D6			72	XF0815001	PT METER PLATE		
29	XE0617001	LED LAMP UNIT NEEDLE AREA D6R			73	060400616	SCREW BIND M4X6		
30	085311415	TAPTITE BIND B M3X14			74	XC9511051	LEAD WIRE ASSY MAIN BODY D6M		
31	<del>136681051</del>	<del>TAPTITE,BIND B M3X8</del>		1000028888	75	048030343	RETAINING RING E3		1000038911
32	X59629051	TAPTITE,BIND B M3X10		1000028888	76	XC7746051	CONNECTOR HOLDER ASSY		
33	XC7838051	PLATE C			77	XC8419051	INLET ASSY:D6 EU		
34	XC7839151	PLATE D			78	XE1830001	SAFETY COVER		
35	X53169050	BAND			79	060300616	SCREW BIND M3X6		
36	087411016	TAPTITE CUP B M4X10			80	060400616	SCREW BIND M4X6		
37	XC8680050	S HOLDER			81	X57908052	TAPTITE,BIND S M4X10		
38	XC4433051	SCREW,PAN(T WASHER)M3X6			82	XD0529051	ACCESSORY TABLE	R	
39	XC8478250	INVERTER COVER			83	XD0697055	ACC TABLE F COVER SUPPLY ASSY	R	
40	XA9400151	CONNECT COVER			84	XC9398051	ACCESSORY TABLE REAR COVER	R	
41	146200051	RETAINING RING, CS4			85	138644051	NOTCHED SPRING		
42	XF6884001	HANDLE ASSY		1000037291	86	XD0528050	SPONGE A		
43	XC7731051	HANDLE HOLDER L ASSY			87	XD0609050	SPONGE B		
44	XC7733051	HANDLE HOLDER R ASSY			88	XD1552051	CASE ASSEMBLY		

# (1) MAIN FRAME / COVER

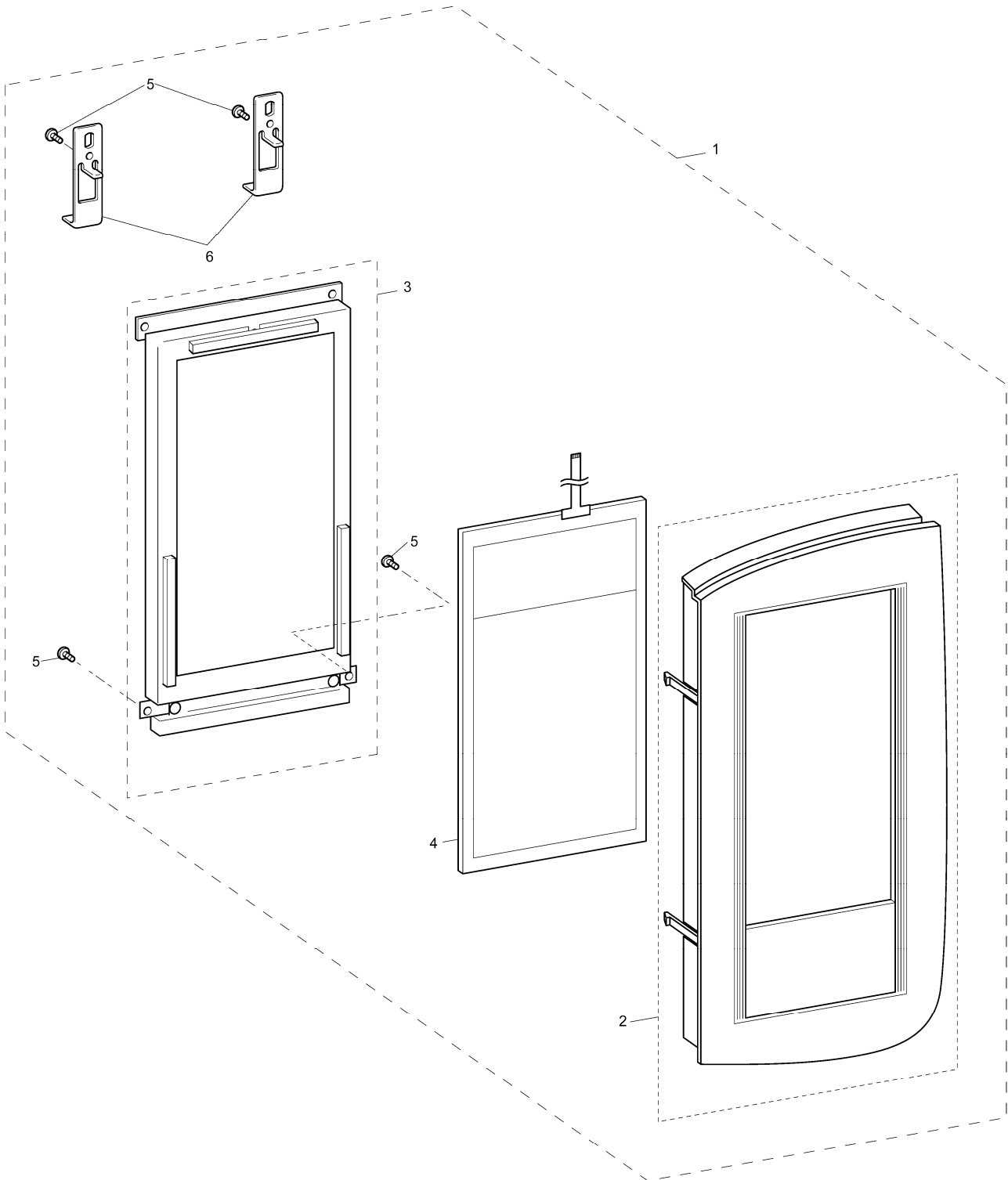


## (1) MAIN FRAME / COVER

No.	CODE	NAME	R/H	REMARKS
89	XD1471050	UNDER CASE POLYSTYRENE L		
90	XD1469050	UNDER CASE POLYSTYRENE R		
91	XA3028052	DECORATION PLATE		
92	XD1464051	CASE COVER		
93	XC8613051	BAG 900X600H		
94	125440050	CASE FELT		
95	XD1465051	SHEET FOR D6 HARDCASE		
96	XC2364452	NEEDLE PLATE B ASSY	H	1000030834
97	XC2365252	NEEDLE PLATE B		
98	XC2366152	SLIDE BUTTON		
99	XD1666052	CUTTER COVER		
100	XD1461051	NEEDLE PLATE COVER SPRING		
101	X80321001	NT LOWER THREAD CUTTER	H	
102	XE8992101	NEEDLE PLATE COVER ASSY	H	1000030834
103	XF0417001	TOP COVER	R	
104	XZ0391051	UPPER COVER HOLDER		
105	XC3286001	UPPER COVER HINGE OEM		
106	XC7691051	FREE ARM COVER	R	
107	0A6400806	SCREW PAN (T WASHER) M4X8		
108	XC7692051	BASE PLATE COVER		
109	XC9402351	CARD PCB COVER		
110	XC7756051	PEN HOLDER		
111	XF0667001	LCD MODULE SUPPLY ASSY		
112	XC9408054	ASSY:TOUCH PANEL D6MID		
113	XC9929051	LCD SUPPLY ASSY		
114	136681051	TAPTITE, BIND B M3X8		
115	X59629051	TAPTITE,BIND B M3X10		
116	085311216	TAPTITE,BIND B M3X12		
117	XC9410051	LCD PRESSER MID		
118	XE9885001	LED LAMP UNIT WORK AREA D6		
119	XC7759051	INSULATION SHEET		
120	XD0521051	CARD PCB HOLDER		
121	XD0522051	USB PCB HOLDER		
122	060300516	SCREW BIND M3X5		
123	XC4543021	BOARD PRESSER		
124	XC9930051	FC JACK SUPPLY ASSY		
125	XE7829001	NUT N		
126	XZ0407051	ADJUST PLATE A		
127	XC8431051	ADJUST PLATE B		
128	XC9412151	FACE PLATE HOLDER		
129	XC9508051	USB PCB ASSY D6M		
130	XD0518151	LEAD WIRE ASSY USB D6M_E		
131	137947001	CLIP		1000027591
132	XF1718001	LCD HOLDER SUPPLY ASSY		1000027365

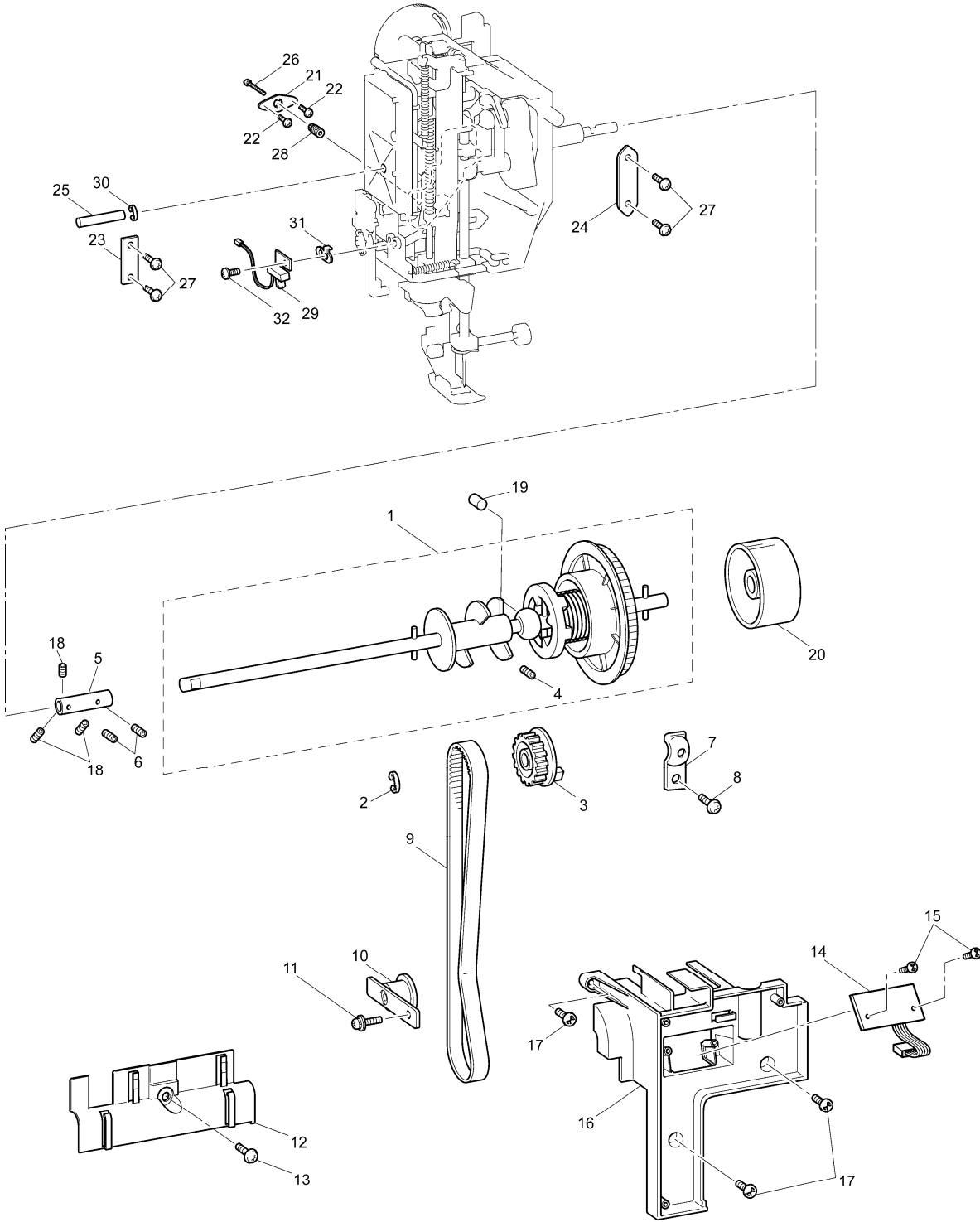


# LCD SUPPLY ASSEMBLY



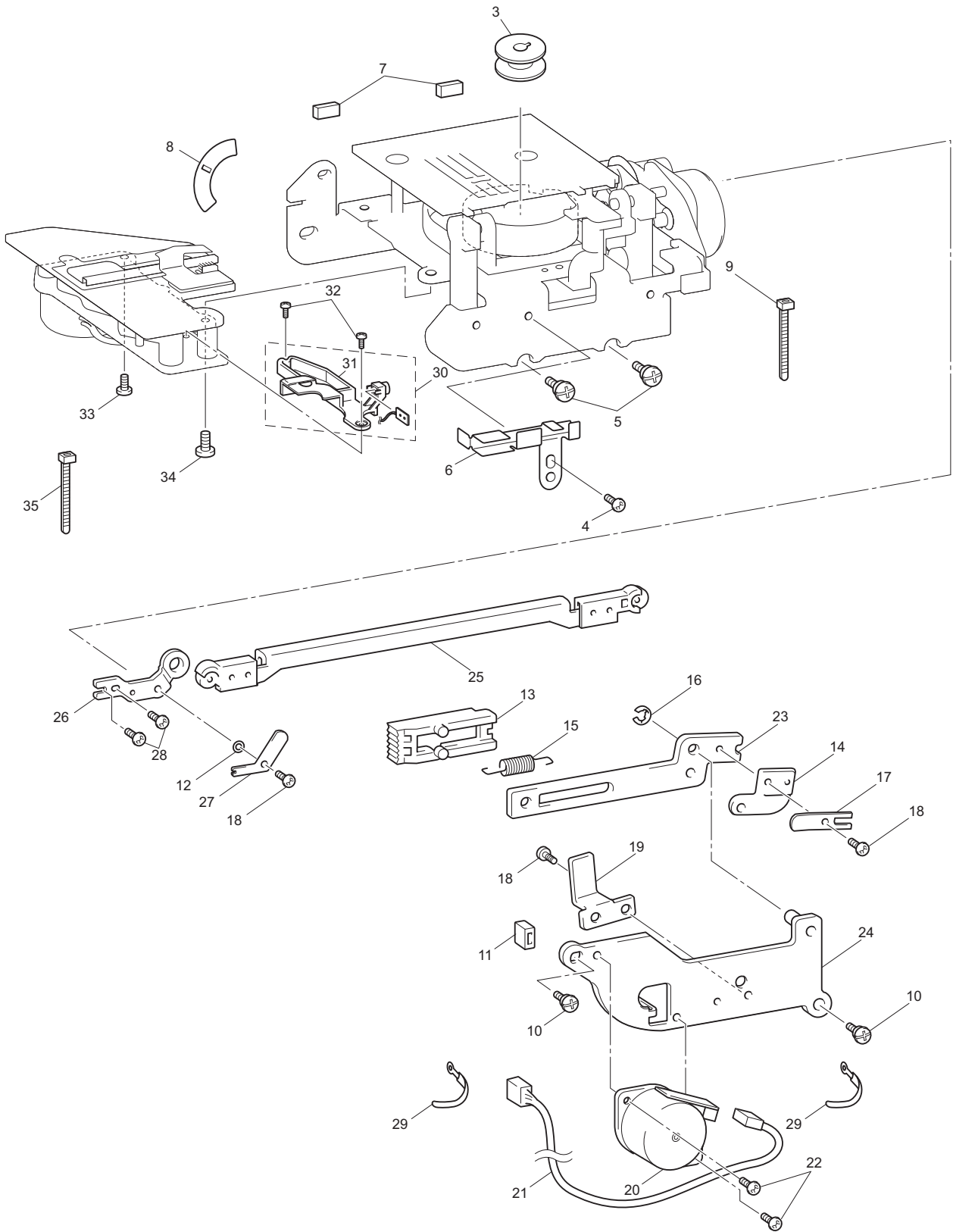


# (2) UPPER SHAFT / NEEDLE BAR / PRESSER FOOT UNIT



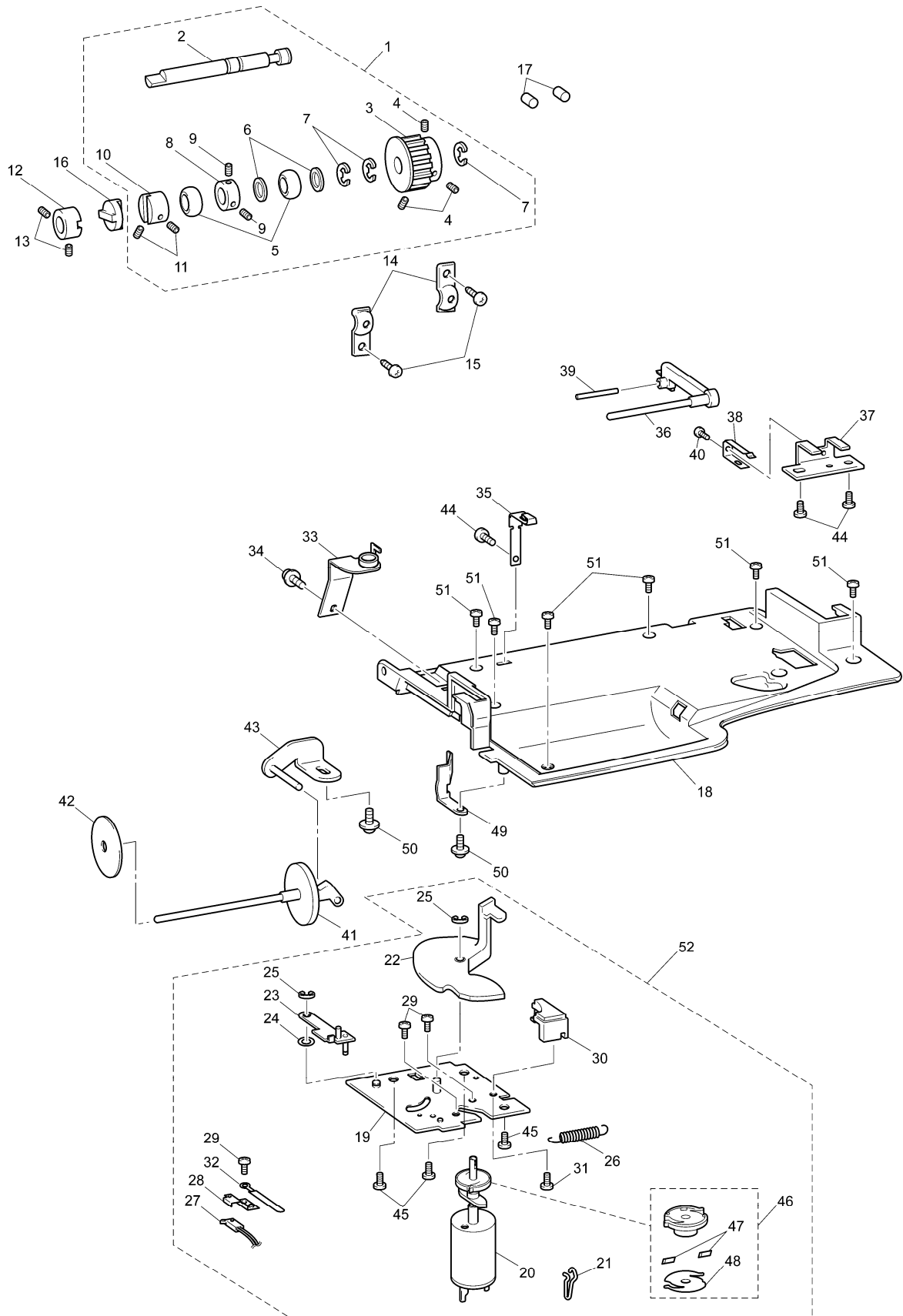


### (3) FEED / SIDE FEED / THREAD CUTTING UNIT





## (4) LOWER SHAFT / BOBBIN WINDING MECHANISM

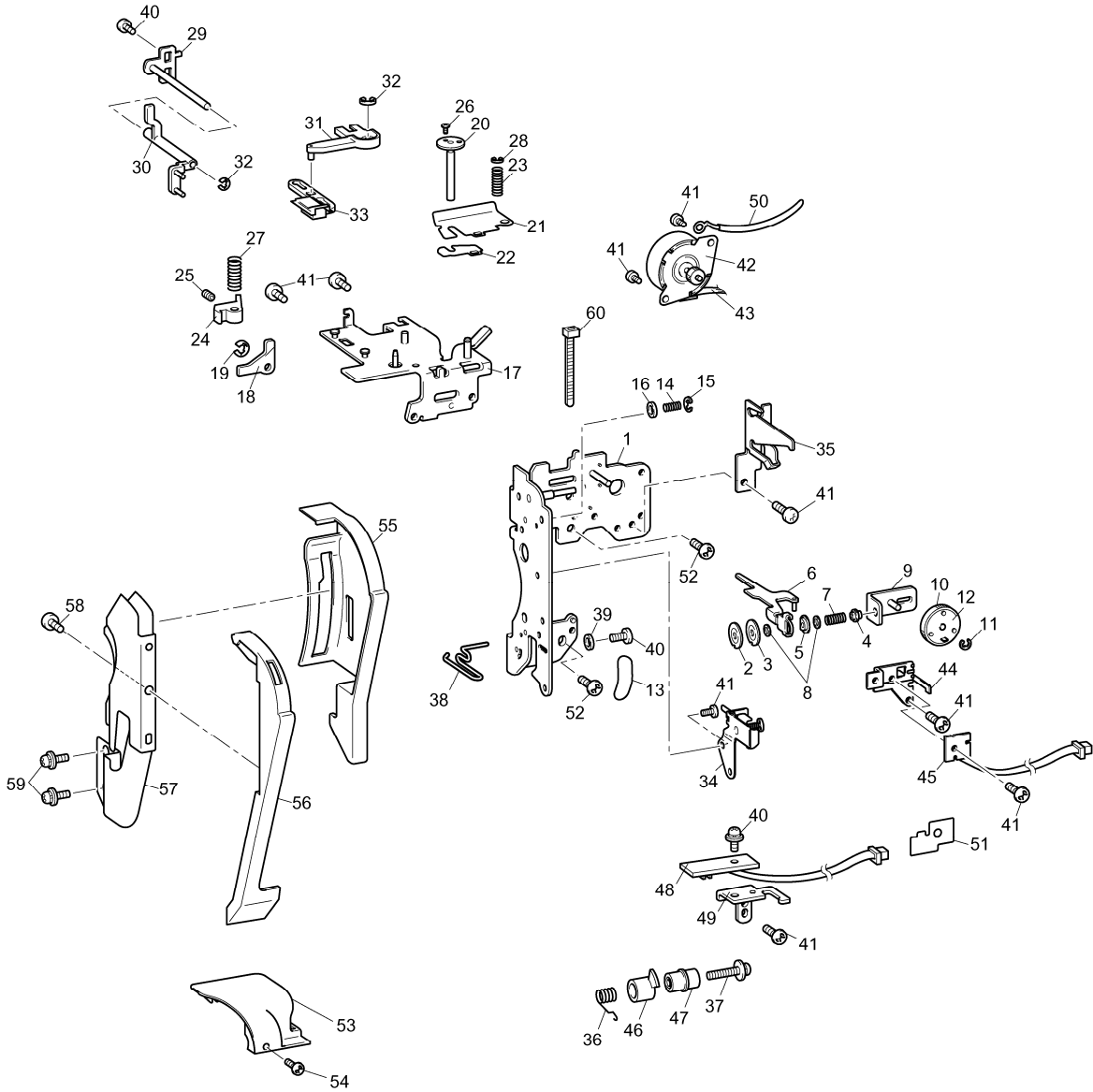


### (4) LOWER SHAFT / BOBBIN WINDING MECHANISM

No.	CODE	NAME	R/H	REMARKS	No.	CODE	NAME	R/H	REMARKS
LOWER SHAFT MECHANISM					BOBBIN WINDING MECHANISM				
1	XC7889051	LOWER SHAFT A ASSY			18	XC7696051	UPPER COVER		
2	XC7890051	LOWER SHAFT A			19	XC7894051	BOBBIN WINDER HOLDER ASSY		
3	XC2601051	TIMING PULLEY D			20	XC7898051	BW MOTOR ASSY		
4	014500532	SET SCREW SOCKET (CP) M5X5			21	125928050	BOBBIN WINDER SHAFT SPRING		
5	X52664050	LOWER SHAFT BUSHING			22	XC7902151	BOBBIN PRESSURE		
6	X51383050	WASHER, THRUST			23	XC7903051	BOBBIN PRESSURE GUIDE ASSY		
7	048060343	RETAINING RING E6		1000038911	24	137999050	POLYESTER SLIDER		
8	137768151	SET SCREW COLLAR			25	048030343	RETAINING RING E3		1000038911
9	014400432	SET SCREW SOCKET (CP) M4X4			26	XA9545051	SPRING		
10	XC2602051	JOINT			27	XC8254051	ASSY: BWSW D6		
11	012500532	SET SCREW SOCKET (FT) M5X5			28	XC8194051	BW SWITCH HOLDER		
12	XC2602051	JOINT			29	XC6055051	SCREW, BIND M3X3		
13	012500532	SET SCREW SOCKET (FT) M5X5			30	XC8371051	BOBBIN PRESSER COVER		
14	132421051	BUSHING PRESSER			31	136681051	TAPTITE, BIND B M3X8		
15	X57908052	TAPTITE, BIND S M4X10			32	137947001	CLIP		
16	XC2603050	DISK			33	XC7905051	TENSION GUIDE ASSY		
17	XC3183051	FELT			34	0A4300806	SCREW PAN (S/P WASHER) M3X8		
					35	XC7907251	THREAD GUIDE PLATE		
					36	XC7908051	SUB SPOOL STAND PIN		
					37	XC7909051	SUB SPOOL PIN HOLDER		
					38	XC7910051	NOTCH PLATE		
					39	XA9371051	SHAFT		
					40	XC6055051	SCREW, BIND M3X3		
					41	XA1786053	SPOOL PIN		
					42	X55260153	SPOOL PRESSER C		
					43	XC7911051	SPOOL PIN HOLDER B ASSY		
					44	136681051	TAPTITE, BIND B M3X8		
					45	085411015	TAPTITE BIND B M4X10		
					46	XC7912051	BOBBIN BASE ASSY	H	
					47	X80321001	NT LOWER THREAD CUTTER	H	
					48	XC7914051	BOBBIN THREAD CUTTER HOLDER		
					49	XC8432051	THREAD GUARD PLATE		
					50	087310816	TAPTITE CUP B M3X8		
					51	060400616	SCREW BIND M4X6		
					52	XD0597051	BOBBIN WINDER SUPPLY ASSY		



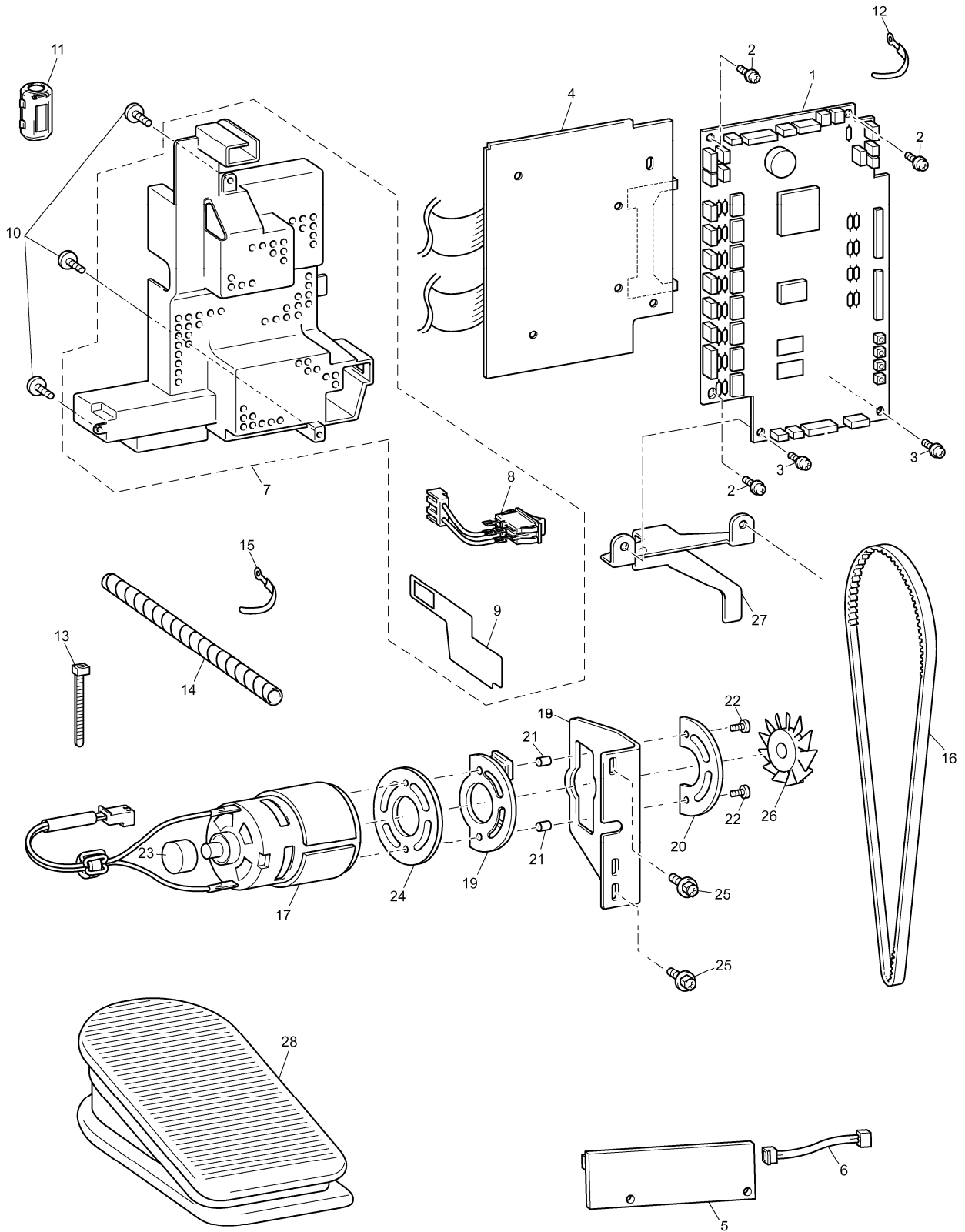
# (5) NEEDLE THREADING MECHANISM



## (5) NEEDLE THREADING MECHANISM

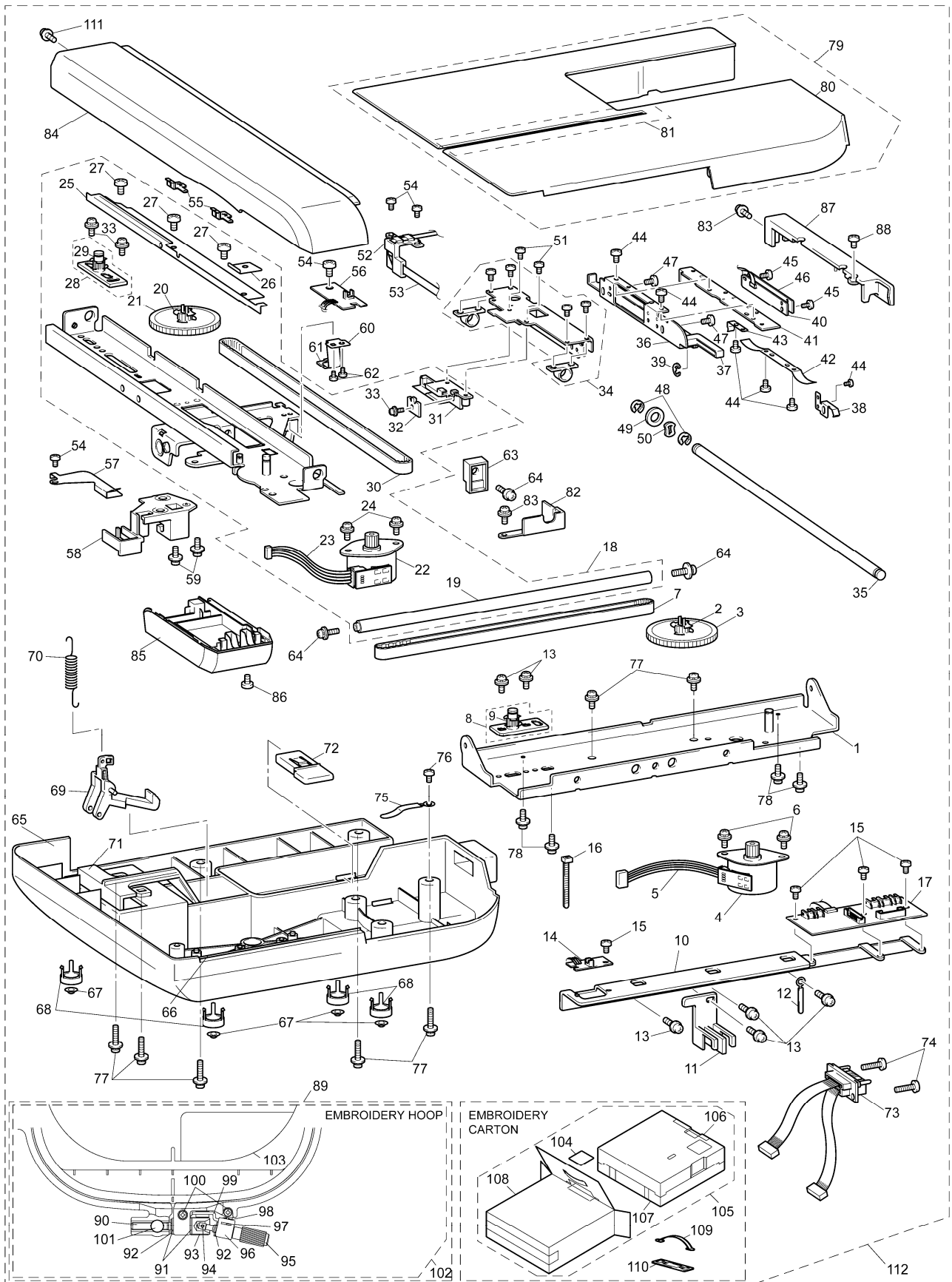
No.	CODE	NAME	R/H	REMARKS	No.	CODE	NAME	R/H	REMARKS
1	XC9442151	THREAD GUARD ASSEMBLY			45	XC8260051	ASSY:AT INIT PCB		
2	XA0083151	TENSION DISC A	H		46	X58316051	THREAD CUTTING SHUTTER	H	
3	XC2626151	TENSION DISC B	H		47	XA9585151	THREAD CATCHING SPRING CASE	H	
4	XC3437051	TENSION ADJUSTING SCREW			48	XC8262051	ASSY:UPTHREAD PCB		
5	XA1388051	TENSION DISC WASHER			49	XC7934051	THREAD SENSOR HOLDER		
6	XC9444151	DISK WASHER HOLDER			50	137947001	CLIP		
7	XA9900051	THREAD TENSION SPRING			51	XC9271051	INSULATION SHEET FOR TGPM		
8	XD0573051	WASHER			52	085411015	TAPTITE BIND B M4X10		
9	XA9562051	TENSION PLATE ASSY			53	XC9458152	FRONT THREAD GUARD COVER	H	
10	XC7922050	THREAD TENSION CAM			54	0A5300606	SCREW PAN (S/P WASHER) M3X6		
11	048030343	RETAINING RING E3		1000038911	55	XC9460151	THREAD GUIDE COVER		
12	XC7923051	THREAD TENSION GEAR COVER			56	XC9463151	THREAD GUIDE COVER		
13	XA9935050	SPRING TAPE			57	XC9466151	THREAD GUIDE		
14	X57605051	SPRING			58	138433051	TAPTITE,PAN B M3X6		
15	048020343	RETAINING RING E2		1000038911	59	XC7564051	SCREW, PAN (S/P WASHER) M3X6		
16	026030136	WASHER PLAIN S 3			60	X53169050	BAND		
17	XC9446151	TENSION RELEASE HOLDER ASSY							
18	XA9571051	TENSION RELEASER LINK							
19	048030343	RETAINING RING E3		1000038911					
20	XC2638151	TENSION PRESSURE ASSY							
21	XC9115151	TENSION PLATE							
22	XC7927151	SPACER							
23	XA9577051	SPRING							
24	XC2640051	TENSION RELEASE CAM							
25	012300432	SET SCREW SOCKET (FT) M3X4							
26	X57363051	POWER LOCK 2X3							
27	X57605051	SPRING							
28	048020343	RETAINING RING E2		1000038911					
29	XC9450051	LINK A SHAFT PLATE ASSY							
30	XC9453051	THREAD GUIDE SHUTTER LINK A							
31	XC9454051	THREAD GUIDE SHUTTER LINK B							
32	048030343	RETAINING RING E3		1000038911					
33	XC9456151	THREAD GUIDE SHUTTER							
34	XC2644051	PLATE ASSEMBLY							
35	XC7928051	THREAD GUIDE	H						
36	XZ0386151	THREAD TAKE UP SPRING	H						
37	0A4301806	SCREW, PAN (S/P WASHE) M3X18							
38	XC7931050	THREAD GUIDE WIRE	H						
39	XA9996051	WASHER,PLAIN							
40	XC7564051	SCREW, PAN(S/P WASHER)M3X6							
41	060300416	SCREW BIND M3X4							
42	XC8258051	ASSY:AT PULSE MOTOR							
43	XC9515051	LEAD WIRE ASSY ATPM D6M							
44	XC7933051	ATPM SENSOR PLATE							

## (6) ELECTRIC PARTS / MAIN MOTOR UNIT





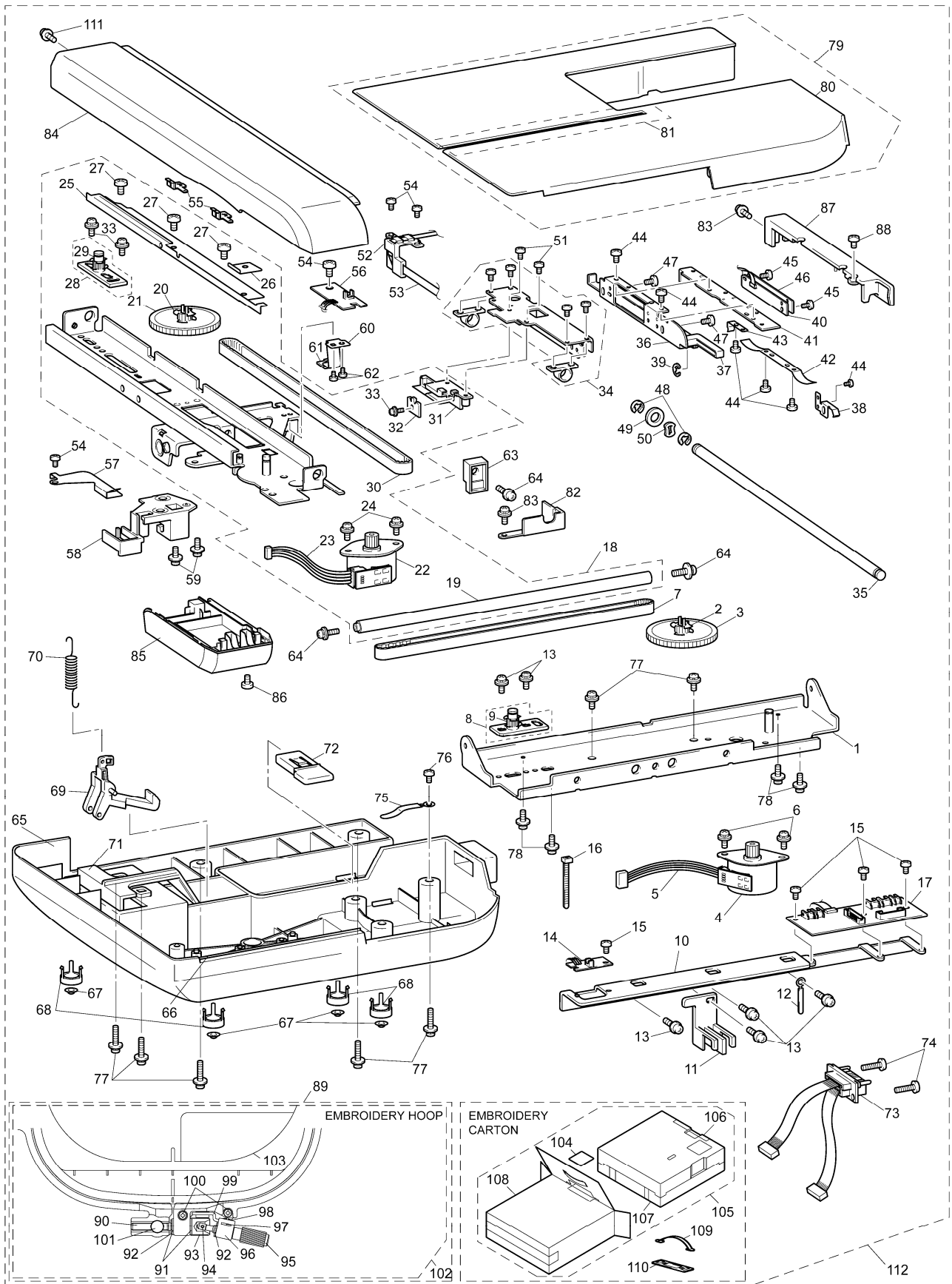
# (7) EMBROIDERY UNIT



## (7) EMBROIDERY UNIT

No.	CODE	NAME	R/H	REMARKS	No.	CODE	NAME	R/H	REMARKS
1	XC8035051	MAIN FRAME SUD ASSY			46	XC8859051	INSULATOR SHEET		
2	XC8038050	DRIVING PULLEY			47	060400616	SCREW BIND M4X6		
3	XC8039050	DRIVING GEAR			48	XC8080051	STOP RING 10.69		
4	XC8298051	ASSY:XY PULSE MOTOR			49	XC8081051	WASHER		
5	XC8299051	ASSY:XPM LEAD WIRE			50	XC8082050	WASHER,SPRING 12		
6	XA8390051	SCREW			51	085301017	TAPTITE BIND P M3X10		
7	XC8041051	TIMING BELT 40S2M530			52	XC8084050	FFC SUPPORT		
8	XC8042051	TENSION PULLEY ASSY			53	XC8310051	FLEXIBLE FLAT CABLE:SML2CD-6		
9	XC8045050	TENSION PULLEY			54	060300616	SCREW BIND M3X6		
10	XC8046051	X GUIDE PLATE			55	XC8085050	CORD CLIP		
11	XC8047050	E CODE SUPPORTER			56	XC8311051	ASSY:Y SENSOR PCB		
12	T31049001	COATING CLIP CS-6			57	XC8086050	CODE GRIP		
13	XC7566051	SCREW, PAN(S/P WASHER)M4X8			58	XC8087151	X SLIDER		1000032891
14	XC8300051	ASSY:X SENSOR PCB			59	XC7566051	SCREW, PAN(S/P WASHER)M4X8		
15	060300616	SCREW BIND M3X6			60	XC8898051	X GUIDE SHAFT PRESSER PLATE		
16	X53169050	BAND			61	XC8899050	X GUIDE SHAFT PRESSER		
17	XC9539051	EMB RELAY PCB ASSY D6M			62	060300416	SCREW BIND M3X4		
18	XC9473051	X CARRIAGE UNIT			63	XC8088051	X BELT PRESSER		
19	XC8050051	X GUIDE SHAFT			64	XC7566051	SCREW, PAN(S/P WASHER)M4X8		
20	XC8038050	DRIVING PULLEY			65	XC7697051	ES BASE COVER		
21	XC8039050	DRIVING GEAR			66	XC8093051	GROOVE COVER		
22	XC8298051	ASSY:XY PULSE MOTOR			67	X59853050	RUBBER CUSHION		
23	XC8306051	ASSY:YPM LEAD WIRE			68	XC8094051	RUBBER CUSHION COVER		
24	XA8390051	SCREW			69	XC8095051	LOCK FINGER		
25	XC9478050	FFC CODE GUIDE			70	XC8096051	SPRING		
26	XC8586050	FFC CODE SUPPORTER			71	XC8097051	LOCK RELEASE LEVER		
27	060300616	SCREW BIND M3X6			72	XC9486051	DROP TRIGGER		
28	XC8042051	TENSION PULLEY ASSY			73	XC9540051	LEAD WIRE ASSY EMB UNIT D6M		
29	XC8045050	TENSION PULLEY			74	085301616	TAPTITE BIND P M3X16		
30	XC9479051	TIMING BELT 40S2M660			75	T31049001	COATING CLIP CS-6		
31	XC8061051	Y SLIDER			76	085300815	TAPTITE BIND P M3X8		
32	XC8062051	YT BELT PRESSER PLATE			77	087411416	TAPTITE CUP B M4X14		
33	XC7566051	SCREW, PAN(S/P WASHER)M4X8			78	XC7566051	SCREW, PAN(S/P WASHER)M4X8		1000030062
34	XC8065251	Y CARRIAGE ASSY		1000030240	79	XC9487052	ES MAIN COVER ASSY		
35	XC9482051	Y GUIDE SHAFT			80	XC9488052	ES MAIN COVER		
36	XC8070151	E HOOP STAY PLATE SUB ASSY			81	XC8093051	GROOVE COVER		
37	XC8074051	E HOOP LOCK LEVER			82	XC8112251	XC SUB COVER		
38	XC8075051	E HOOP LOCK LEVER SPRING			83	XA8390051	SCREW		
39	048040343	RETAINING RING E4		1000038911	84	XC9490052	X CARRIAGE COVER		
40	XC8307051	ASSY:FRAME PCB			85	XC9492051	YPM COVER		
41	XC8076051	E HOOP PRESSURE PLATE			86	085301017	TAPTITE BIND P M3X10		
42	XC8077051	E HOOP PRESSURE SPRING A			87	XC8089151	E HOOP STAY COVER		
43	XC8079051	E HOOP PRESSURE SPRING C			88	060300416	SCREW BIND M3X4		
44	060300416	SCREW BIND M3X4			89	XC8137051	EMBROIDERY HOOP ASSY 130D6		
45	XA8390051	SCREW				XC9494051	EMBROIDERY HOOP ASSY 160D6		

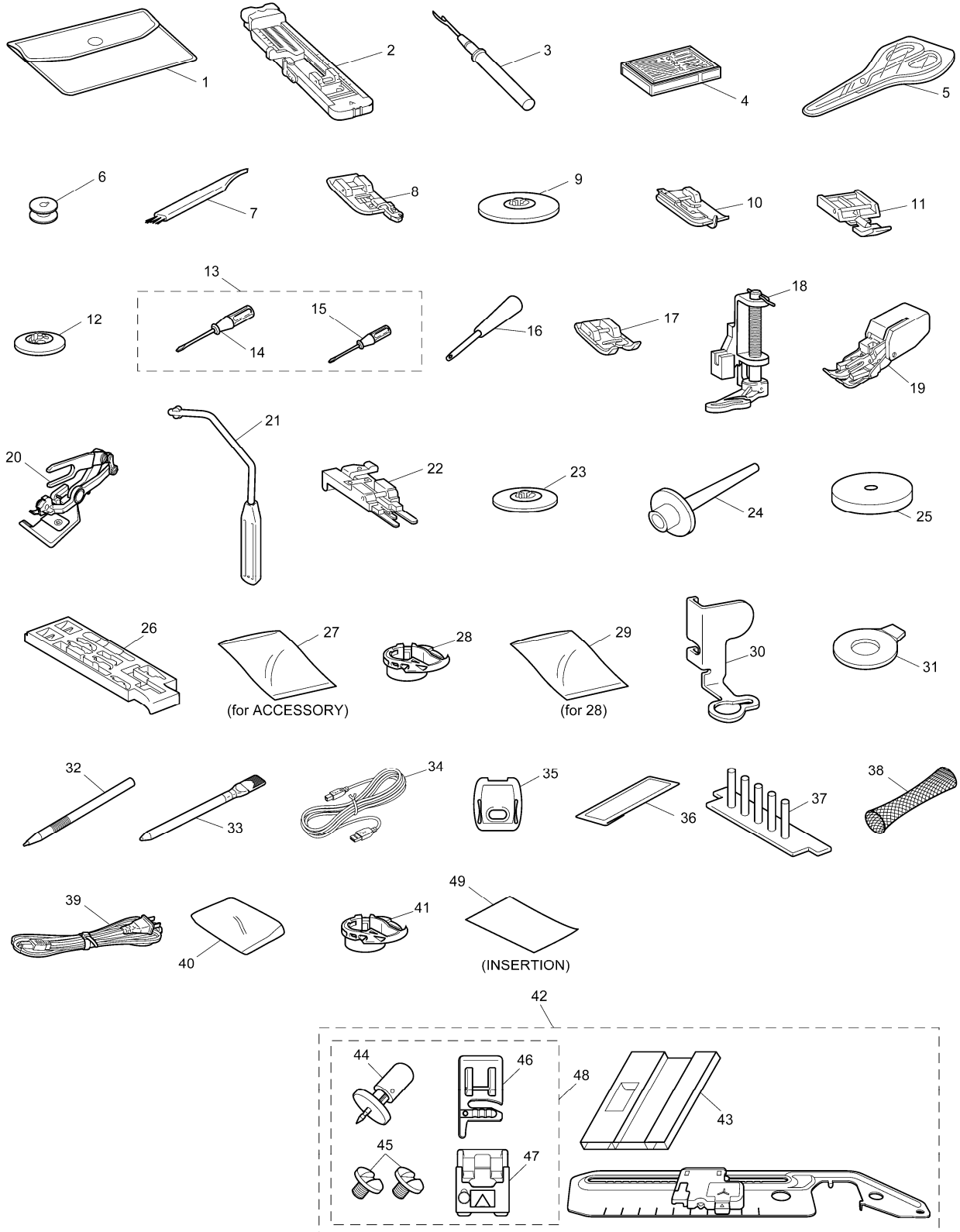
# (7) EMBROIDERY UNIT







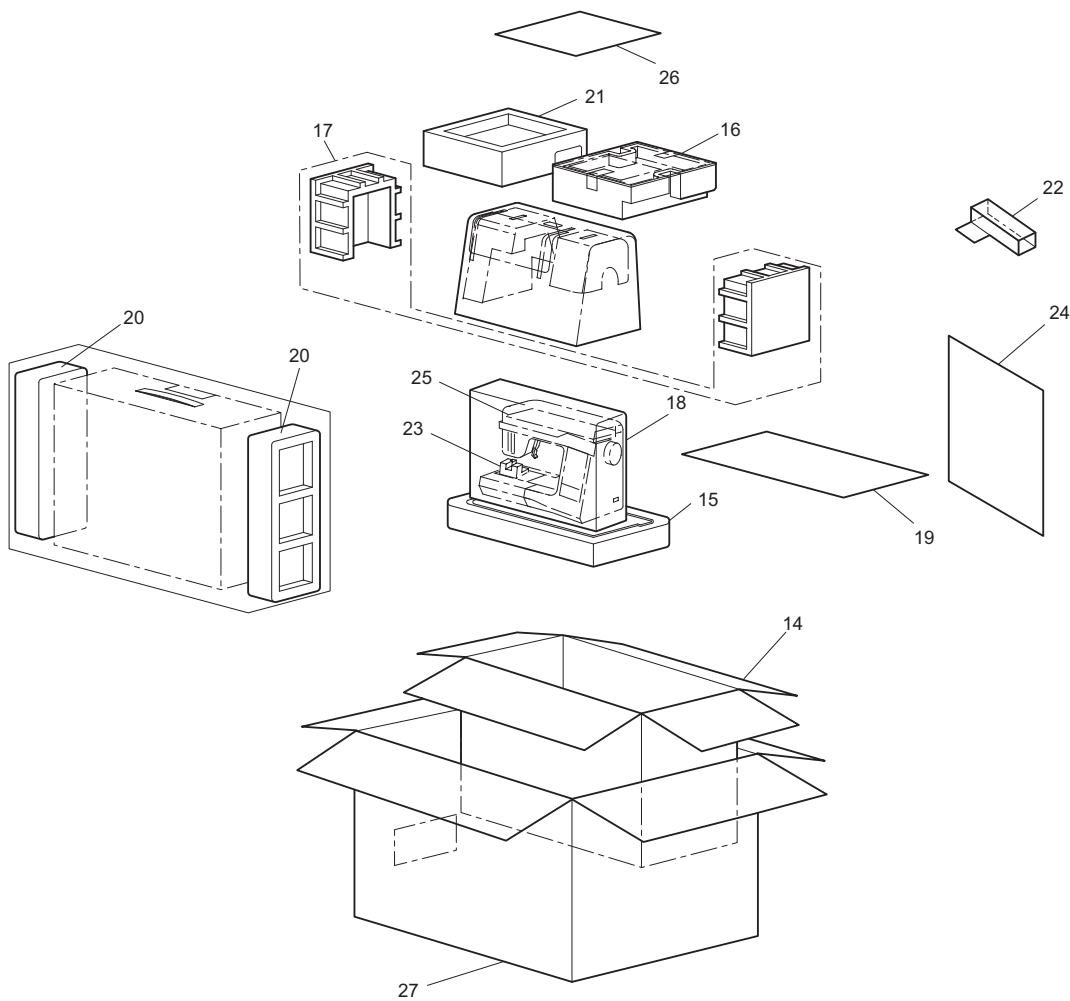
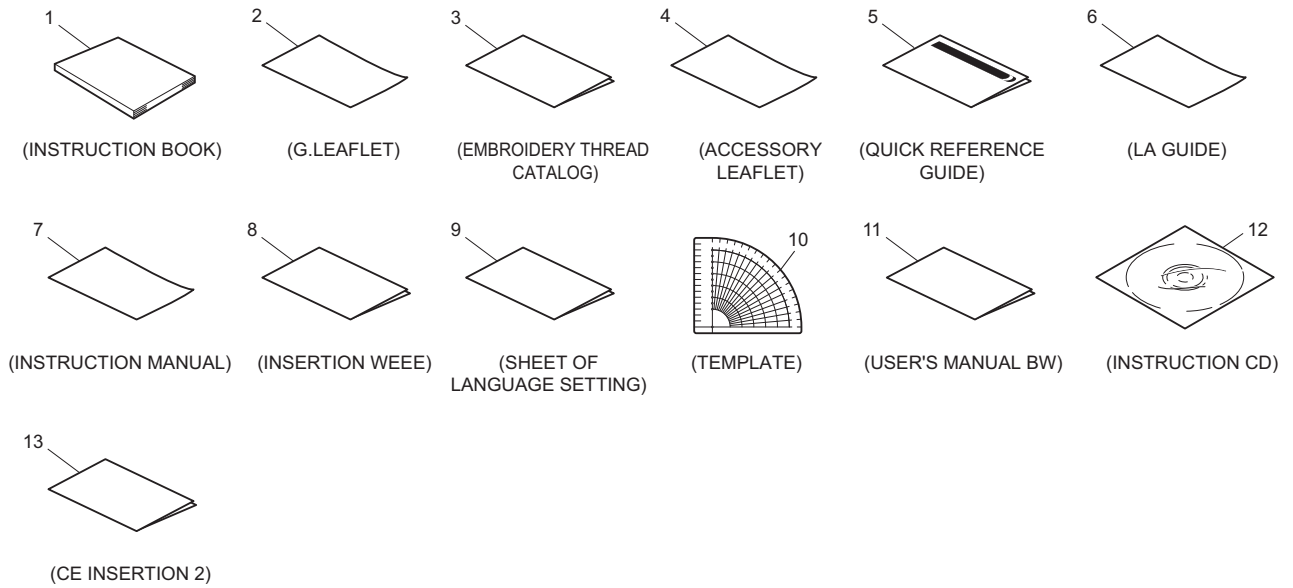
## (8) ACCESSORY PARTS



## (8) ACCESSORY PARTS

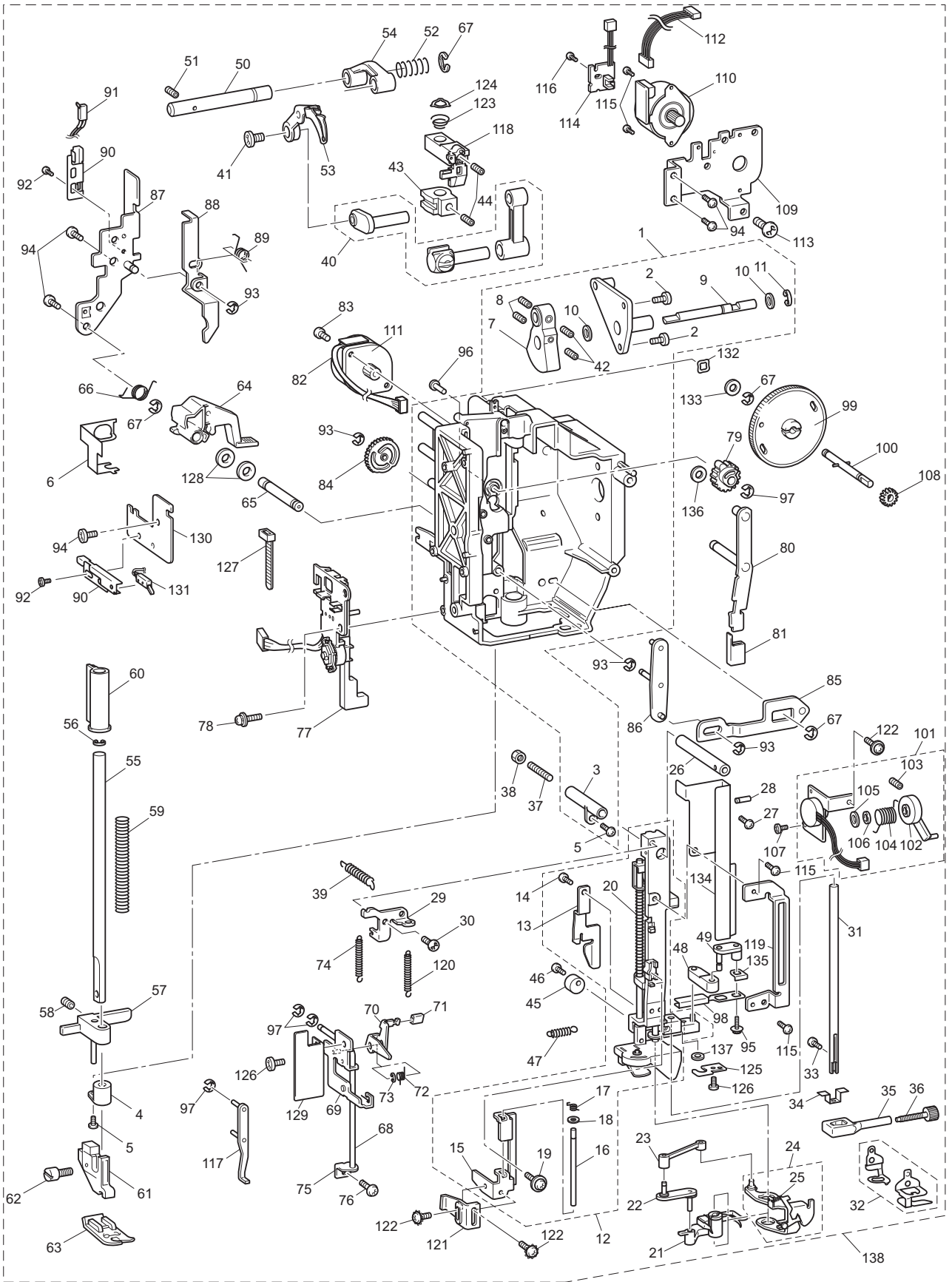
No.	CODE	NAME	R/H	REMARKS	No.	CODE	NAME	R/H	REMARKS
ACCESSORY PARTS					43	XE0007001	INNER CARTON		
1	XC4487021	ACCESSORY BAG			44	XE6016001	NEEDLE ASSY		
2	X57789351	BH PRESSER FOOT		1000040038	45	XE6022001	SCREW M3		
3	XF4967001	RIPPER ASSY		1000032269	46	XA6871001	CORDING FOOT		
4	X58358051	Z NEEDLE ASSY			47	XE5980001	BRAIDING FOOT ASSY		
5	XC1807121	SCISSORS		1000033338	48	X60838051	BAG,70X110C		
6	X52800150	BOBBIN			49	XE8395001	INSERTION		
7	X59476051	CLEANING BRUSH							
8	XC3098051	OVERCASTING STITCH FOOT ASSY							
9	130012054	SPOOL PRESSER A							
10	X56409051	BLIND STITCH FOOT ASSY							
11	X59370051	ZIPPER FOOT							
12	130013154	SPOOL PRESSER B							
13	XE0243001	SCREW DRIVER ASSY							
14	XC8349021	SCREW DRIVER							
15	X55468021	SCREW DRIVER S							
16	XZ5051001	PUNCH		1000027122					
17	X53840351	TRANSPARENCY PRESSER FOOT							
18	XE8786101	QUILTING FOOT							
19	X59816103	WALKING FOOT ASSEMBLY							
20	XC3198101	SIDE CUTTER ASSY							
21	XA6941052	KNEE LIFTER LEVER ASSY							
22	130489001	BUTTONING FOOT							
23	X55260153	SPOOL PRESSER C							
24	XC8619052	EXTRA SPOOL PIN		1000032235					
25	X57045051	SPOOL FELT							
26	XC4489051	ACCESSORY TRAY							
27	XA0188050	BAG 260X375HC							
28	XC8167551	INNER ROTARY HOOK ASSY	H						
29	XE5132001	BAG_100X100		1000027727					
30	XD0313051	U PRESSER FOOT							
31	XC1074051	DISC-SHAPED SCREWDRIVER							
32	XA9940051	TOUCH PEN							
33	XE8568001	CHALK PEN							
34	XD0745051	USB I/F CORE CABLE							
35	XD1644051	NEEDLE PLATE COVER SUPPLY ASSY							
36	X59296151	TWIN NEEDLE (1PC)							
37	XC9399051	BOBBIN HOLDER							
38	XA5523050	NET							
39	X59354251	POWER SUPPLY CORD BS (UK)	H	1000035202					
	XA0070151	POWER SUPPLY CORD (OTHER)	H						
40	XZ0126051	BAG, 140X150C							
41	XE8298001	INNER ROTARY HOOK ASSY BW							
42	ACC	CIRCULAR ASSY Q							

## (9) USER MANUAL / OTHER PARTS / PACKAGE





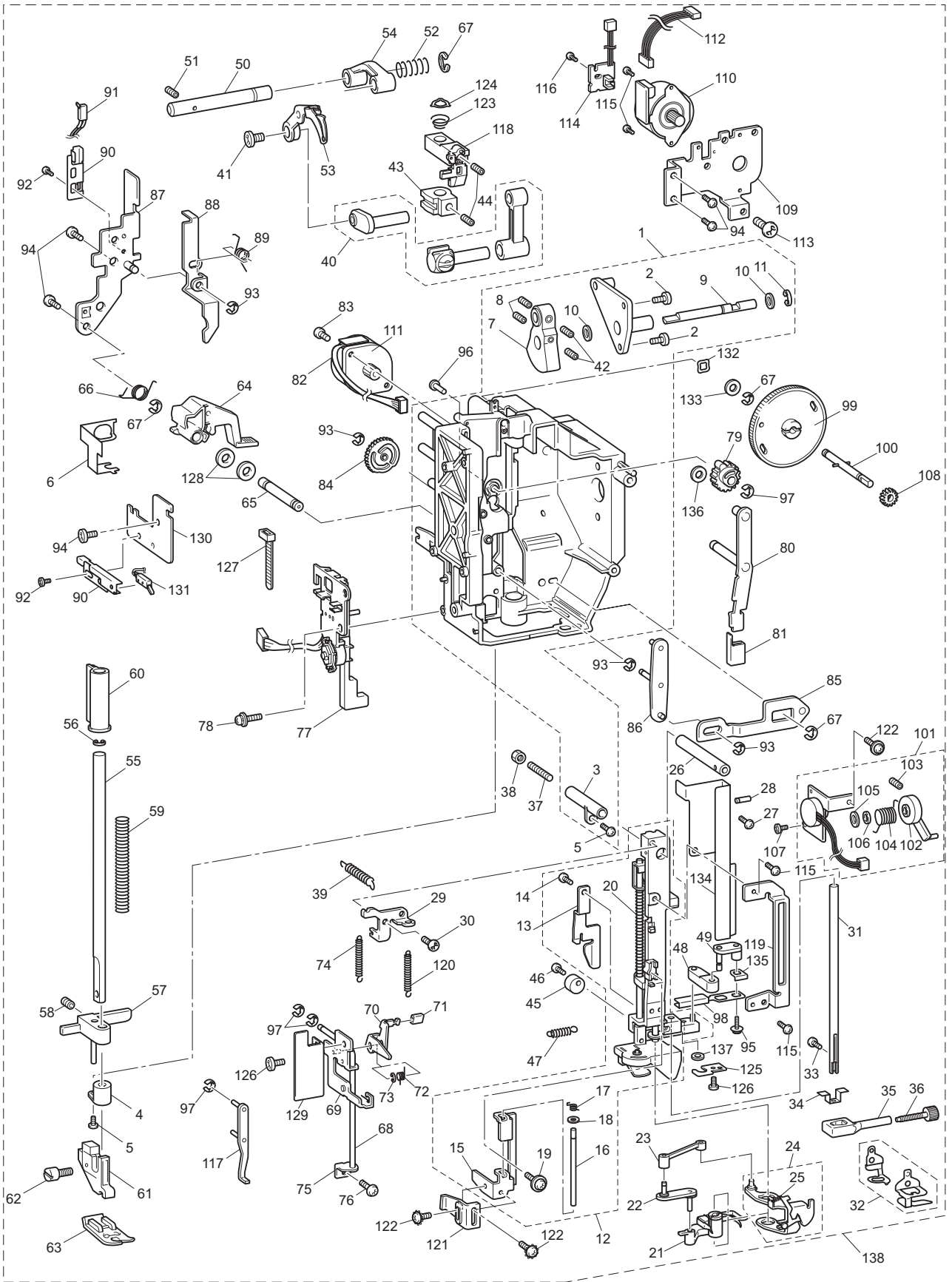
# NEEDLE-PRESSER MODULE



## NEEDLE-PRESSER MODULE

No.	CODE	NAME	R/H	REMARKS	No.	CODE	NAME	R/H	REMARKS
1	XC8275051	UPPER SHAFT HOLDER ASSY			46	018301032	BOLT SOCKET M3X10		
2	XC7568051	SCREW, PAN (S/P WASHER) M4X14			47	XC2748021	SPRING-Z		
3	XC2398020	SHAFT BUSHING A			48	XC7802051	NEEDLE HOLDER BROCK		
4	XC2399021	PRESSER BAR BUSHING			49	XC2437021	SHAFT ASSY		
5	136681051	TAPTITE, BIND B M3X8			50	XC8374051	SHAFT		
6	XC5362050	PLATE SPRING			51	014300532	SET SCREW SOCKET (CP) M3X5		
7	XC7784051	THREAD TAKE-UP COUNTER WEIGHT			52	XC2441021	SPRING		
8	012500532	SET SCREW SOCKET (FT) M5X5			53	XC6239151	THREAD TAKE-UP LEVER ASSY		
9	XC7785051	UNIT SHAFT			54	XC2443020	THREAD TAKE-UP LEVER LINK		
10	131976050	WASHER, THRUST			55	XC7806051	PRESSER BAR		
11	048080343	RETAINING RING E8		1000038911	56	048050343	RETAINING RING E5		1000038911
12	XC9415651	NEEDLE BAR SUPPORTER ASSY	H	1000032241	57	XC7807051	PRESSER BAR CLAMP ASSY		
13	XC9422151	HOOK RELEASE PLATE			58	014501032	SET SCREW SOCKET (CP) M5X10		
14	060260516	SCREW BIND M2.6X5			59	XC7810051	SPRING		
15	XC3446051	RELEASE LEVER			60	XC7811150	PRESSER FOOT RACK		1000030223
16	XC3447051	RELEASE LEVER SHAFT			61	XC3015051	PRESSER FEED HOLDER ASSY	H	
17	XC3448051	RELEASE LEVER SPRING			62	XA4813051	SCREW	H	
18	137977051	POLYESTER SLIDER			63	XC3021051	Z FOOT		
19	0A5300806	SCREW PAN (S/P WASHER) M3X8		1000028604	64	XC7812051	PRESSER FOOT LIFTER	H	
20	XC2417021	SPRING			65	XC2452051	PRESSER LIFT SHAFT		
21	XD1549351	THREADER HOOK ASSY	H	1000028064	66	XC7813051	SPRING		
22	XD1546051	LINK A ASSY			67	048040343	RETAINING RING E4		1000038911
23	XD1548151	LINK B			68	XC2453051	LEVER GUIDE SHAFT		
24	XC9613151	THREAD GUIDE ASSY			69	XC9427051	LEVER A ASSY		
25	XC9616051	SPRING			70	XC9430051	LEVER B		
26	XC2419021	SHAFT			71	XC9618051	CAP		
27	000020416	SCREW BIND M2X4			72	XC9431051	TORSION SPRING		
28	XC2420050	SHAFT			73	048025343	RETAINING RING E2.5		1000038911
29	XD1488051	PLATE			74	XC2461021	SPRING		
30	060300516	SCREW BIND M3X5			75	XC7817051	LEVER SUPPORTER PLATE		
31	XC7799151	NEEDLE BAR	H		76	136681051	TAPTITE, BIND B M3X8		
32	XE7727201	N/B THREAD GUIDE SUPPLY ASSY		1000027848	77	XC7787051	BH SWITCH ASSY		
33	X53053052	SCREW SM2.38			78	XZ0149051	TAPTITE, PAN B 4X12		
34	XC2426020	NEEDLE THREAD PLATE			79	XC7818150	Z ZIGZAG CAM		
35	XC2427051	NEEDLE BLOCK			80	XC7819051	Z ZIGZAG LEVER ASSY		
36	XZ0388251	NEEDLE CLAMP SCREW	H		81	XC2480020	Z LEVER CUP		
37	014401232	SET SCREW SOCKET (CP) M4X12			82	XC9547051	LEAD WIRE ASSY ZPM D6M		
38	X56851051	LOCK NUT			83	X59629051	TAPTITE, BIND B M3X10		
39	XC2429021	SPRING			84	XC2483020	T CAM		
40	XF1086001	NEEDLE BAR CRANK R SUPPLY ASSY	H		85	XC7822051	TENSION RELEASE ROD ASSY		
41	132051052	SCREW, FLAT SM3.57-40X7 L			86	XC5985051	THREAD RELEASE LEVER ASSY D6		
42	012500532	SET SCREW SOCKET (FT) M5X5			87	XC9432051	ADJUSTING PLATE ASSY		
43	XC2434021	NEEDLE THREAD BLOCK			88	XC9434051	SWITCH LEVER		
44	012400432	SET SCREW SOCKET (FT) M4X4			89	XC9435051	SPRING		
45	XC2435050	ZIGZAG ADJUSTING NUT			90	XC2641051	PRESSER SWITCH HOLDER		

# NEEDLE-PRESSER MODULE

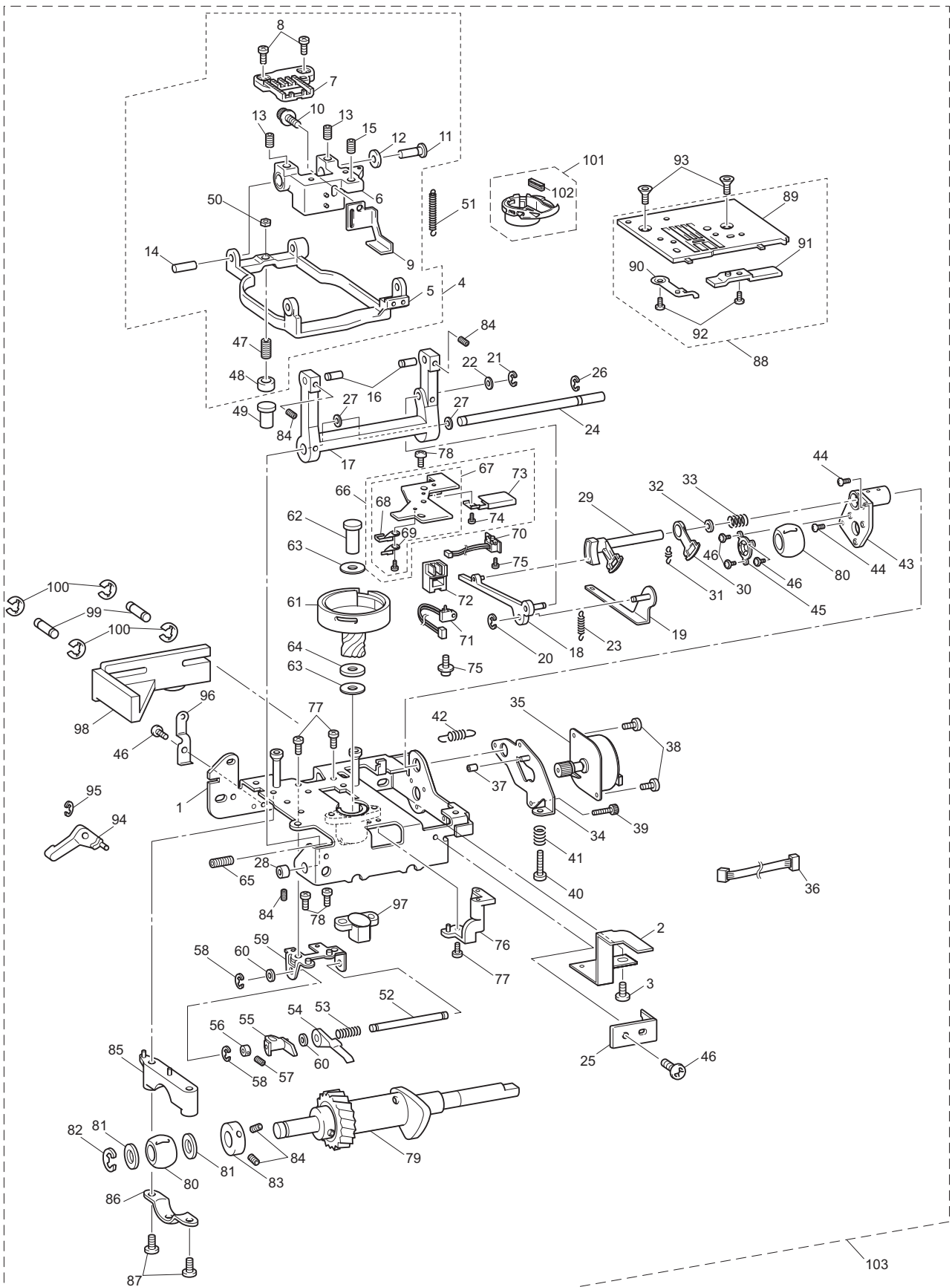


## NEEDLE-PRESSER MODULE

No.	CODE	NAME	R/H	REMARKS	No.	CODE	NAME	R/H	REMARKS
91	XC9514051	PF SWITCH ASSY D6M			135	XE5658001	UPPER UNIT SUPPORT PLATE		
92	060300416	SCREW BIND M3X4			136	XE9039001	WASHER SPRING		
93	048030343	RETAINING RING E3		1000038911	137	XF3031001	NEEDLE BAR FELT		1000032026
94	085411015	TAPTITE BIND B M4X10							
95	XC3037051	SCREW3X10			138	XC9931852	NEEDLE UNIT SUPPLY ASSY		1000029441
96	XC2475051	SHAFT							
97	048020343	RETAINING RING E2		1000038911					
98	XC9436051	THREAD GUIDE PLATE							
99	XC7827151	PRESSER DIAL							
100	XC8372151	PRESSER DIAL SHAFT ASSY							
101	XC7828051	PT HOLDER ASSEMBLY							
102	XA6493051	PT LEVER							
103	012300632	SET SCREW SOCKET (FT) M3X6							
104	XA1894051	SPRING							
105	026060235	WASHER PLAIN M 6							
106	X52569001	NUT							
107	136681051	TAPTITE, BIND B M3X8							
108	XC7830050	PRESSER DIAL GEAR							
109	XC7831151	PRESSER PM HOLDER							
110	XC8228051	ASSY: PF PULSE MOTOR							
111	XC8678051	ZPM INSULATION ASSY							
112	XC9512051	LEAD WIRE ASSY PFPM D6M							
113	060400516	SCREW BIND M4X5							
114	XC8230051	ASSY: ATPF INIT PCB							
115	060300616	SCREW BIND M3X6							
116	XC7644051	SCREW, PAM (S/P WASHER) M3X5							
117	XC6241251	RELEASE PLATE ASSY							
118	XC6245151	NEEDLE BAR HOOK STAND ASSY	H						
119	XC6251051	RELEASE GUIDE PLATE							
120	XD1489051	SPRING							
121	XC6253150	RELEASE ADJUSTER							
122	XC4433051	SCREW, PAN (T WASHER) M3X6							
123	XC6254051	NEEDLE BAR PRESSER SPRING							
124	XC6255050	WASHER, THRUST							
125	XF4830001	ADJUST PLATE		1000032026					
126	060260516	SCREW BIND M2.6X5							
127	X53169050	BAND							
128	XA1860150	WASHER							
129	XC9437051	NEEDLE THREADER SWITCH LEVER							
130	XC9438051	SWITCH BASE PLATE							
131	XC9513051	THREADER LEVER SWITCH ASSY							
132	103810052	WASHER, WAVE SPRING							
133	XA0362051	WASHER							
134	XD0604050	SPRING GUARD							



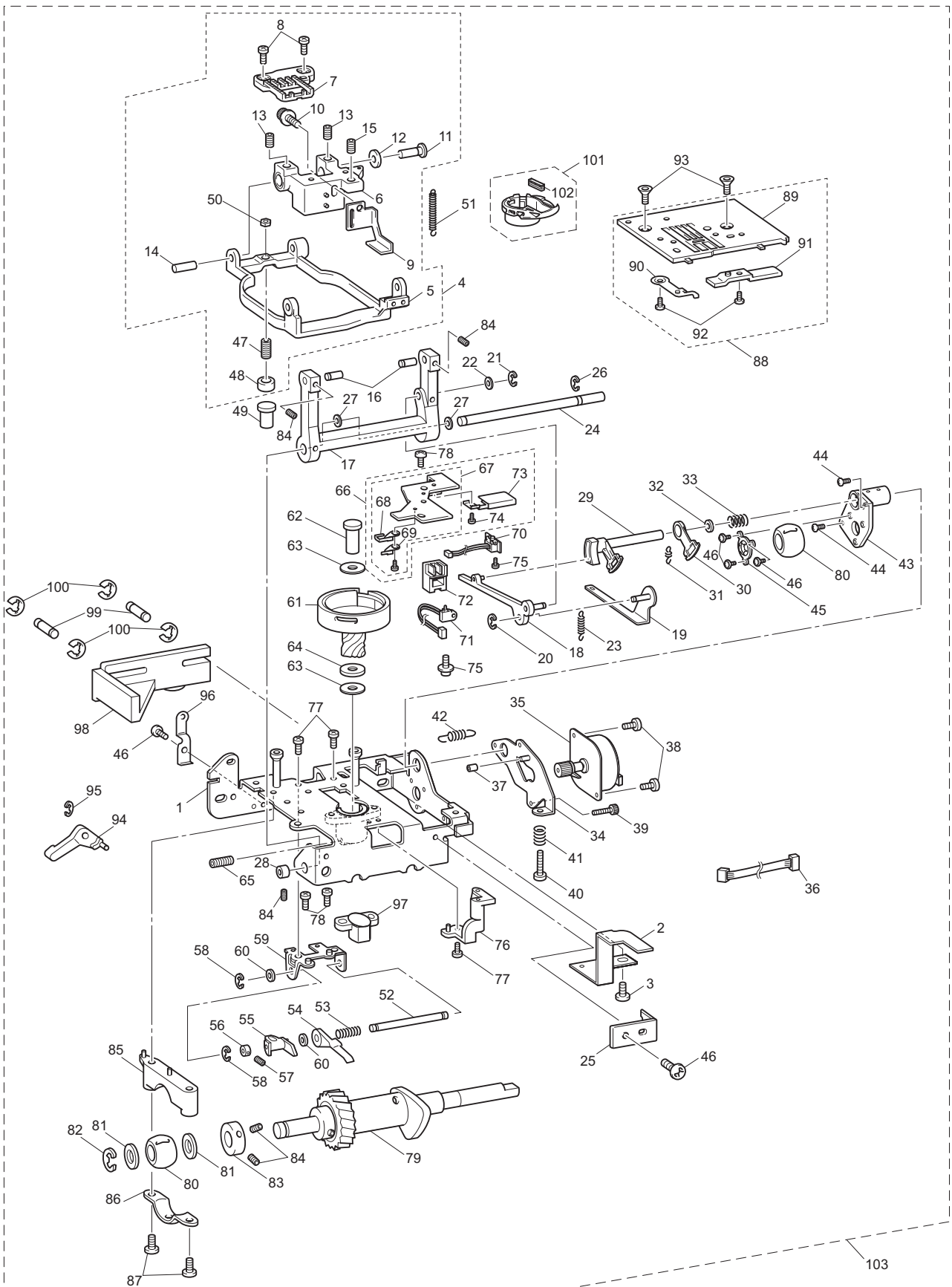
# FEED MODULE



## FEED MODULE

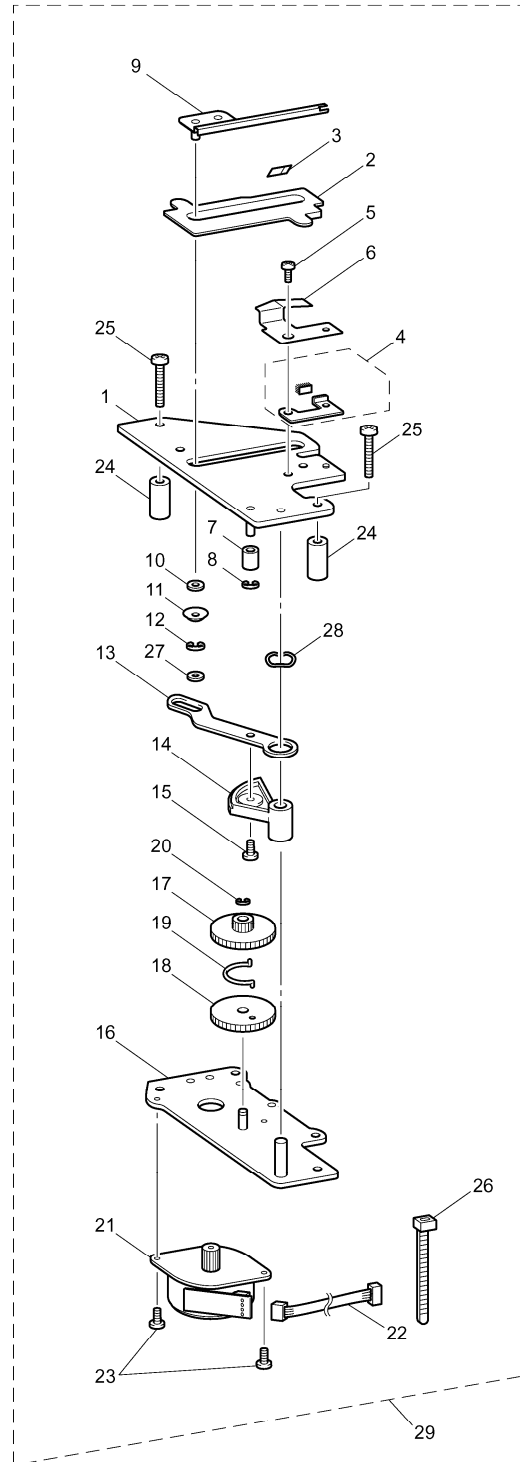
No.	CODE	NAME	R/H	REMARKS	No.	CODE	NAME	R/H	REMARKS
1	XC7638151	BASE PLATE			45	XC2542021	BUSHING PRESSER B		
2	XC7837051	F GEAR STOPPER PLATE			46	060300516	SCREW BIND M3X5		
3	060400416	SCREW, BIND M4X4			47	012401032	SET SCREW SOCKET (FT) M4X10		
4	XC7841151	FEED BAR ASSY			48	XC7853250	CAP		
5	XC7842151	FEED BAR			49	XC7854051	VERTICAL ROD		
6	XC8530051	FEED DOG BASE ASSY			50	X56851051	LOCK NUT		
7	XC7846351	FEED DOG	H		51	XZ0385051	SPRING		
8	060300616	SCREW BIND M3X6			52	XC8361051	VERTICAL FEED SHAFT		
9	XC7847051	FEED DOG CORRECTION PLATE			53	XC7856051	SPRING		
10	XC3338051	SCREW3X8			54	XC7857050	FEED DOG CORRECTION LEVER		
11	XC7848051	FEED DOG BASE SHAFT A			55	XC7858250	VERTICAL LEVER		
12	137999050	POLYESTER SLIDER			56	XC2552051	SET SCREW COLLAR		
13	014400432	SET SCREW SOCKET (CP) M4X4			57	014400432	SET SCREW SOCKET (CP) M4X4		
14	XC7849051	FEED DOG BASE SHAFT B			58	048030343	RETAINING RING E3		1000038911
15	012400432	SET SCREW SOCKET (FT) M4X4			59	XC7859051	VERTICAL SUPPORTING PLATE		
16	XC2512051	FEED BAR SHAFT A			60	137713050	POLYESTER SLIDER		
17	XF6785001	FEED ARM A		1000036702	61	XF3569001	OUTER ROTARY HOOK ASSY	H	1000030480
18	XC2517021	FEED ARM B ASSY			62	XC2230051	OUTER ROTARY HOOK SHAFT		
19	XC2521021	FEED SUPPORTING PLATE ASSY			63	137805052	SPACER		
20	048020343	RETAINING RING E2		1000038911	64	137976051	WASHER 6		
21	048030343	RETAINING RING E3		1000038911	65	014400632	SET SCREW SOCKET (CP) M4X6		
22	137999050	POLYESTER SLIDER			66	XC9987151	I R HOOK BRACKET SUPPLY ASSY		
23	XC9277051	SPRING			67	XC8406351	INNER ROTARY HOOK BRACKET ASSY	H	
24	XC7835051	HORIZONTAL FEED SHAFT			68	XE3331001	SPRING PLATE		
25	XC8195051	SHAFT STOPPER PLATE			69	XC2558050	SPRING ASSIST PLATE		
26	048050343	RETAINING RING E5		1000038911	70	XC8350051	PHOTO DIODE HOLDER ASSY		
27	X50546050	WASHER,THRUST			71	XC8240051	ASSY:PLTSW D6		
28	130676151	SET SCREW COLLAR			72	XC7865150	NEEDLE PLATE SW HOLDER		
29	XC2527121	FEED ADJUSTER			73	XC7866351	CORD HOLDER		
30	XC2529020	F GEAR			74	060260316	SCREW BIND M2.6X3		
31	XC2530021	SPRING			75	000020416	SCREW BIND M2X4		
32	137713050	POLYESTER SLIDER			76	XE5384001	STOPPER PLATE BLOCK ASSY	H	
33	XC2531021	SPRING			77	060400516	SCREW BIND M4X5		
34	XZ0397051	FPM HOLDER ASSY			78	060300816	SCREW BIND M3X8		
35	XC9759051	FPM INSULATION ASSY			79	XC7867051	LOWER SHAFT B ASSY		
36	XC8236051	ASSY:FPM LEAD WIRE			80	X52664050	LOWER SHAFT BUSHING		
37	XC2587050	RUBBER			81	X51383050	WASHER,THRUST		
38	060300516	SCREW BIND M3X5			82	048060343	RETAINING RING E6		1000038911
39	XC3338051	SCREW3X8			83	137768151	SET SCREW COLLAR		
40	018402532	BOLT SOCKET M4X25			84	014400432	SET SCREW SOCKET (CP) M4X4		
41	XC2537021	SPRING			85	XC2566021	BUSHING SUPPORTER A		
42	XC2538021	SPRING			86	XC2567021	BUSHING PRESSER A		
43	XC2539021	BUSHING SUPPORTER ASSY			87	060401616	SCREW BIND M4X16		
44	060400616	SCREW BIND M4X6			88	XC7871351	NEEDLE PLATE A ASSY	H	1000029553

# FEED MODULE



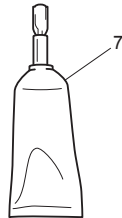
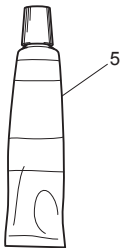
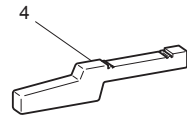
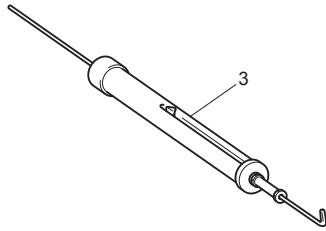
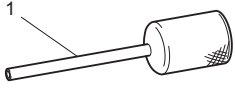


# THREAD CUTTER MODULE





# SPARE PARTS







**brother**®

20D11HF882U73