



Home Sewing Machine

PARTS REFERENCE LIST

MODEL: NS30

NV30

ML750

JS70E

CONFIDENTIAL

©2007 Brother Industries, Ltd.
All rights reserved.

Published: Jul.,2007
Revised: Feb.,2011

MEMO

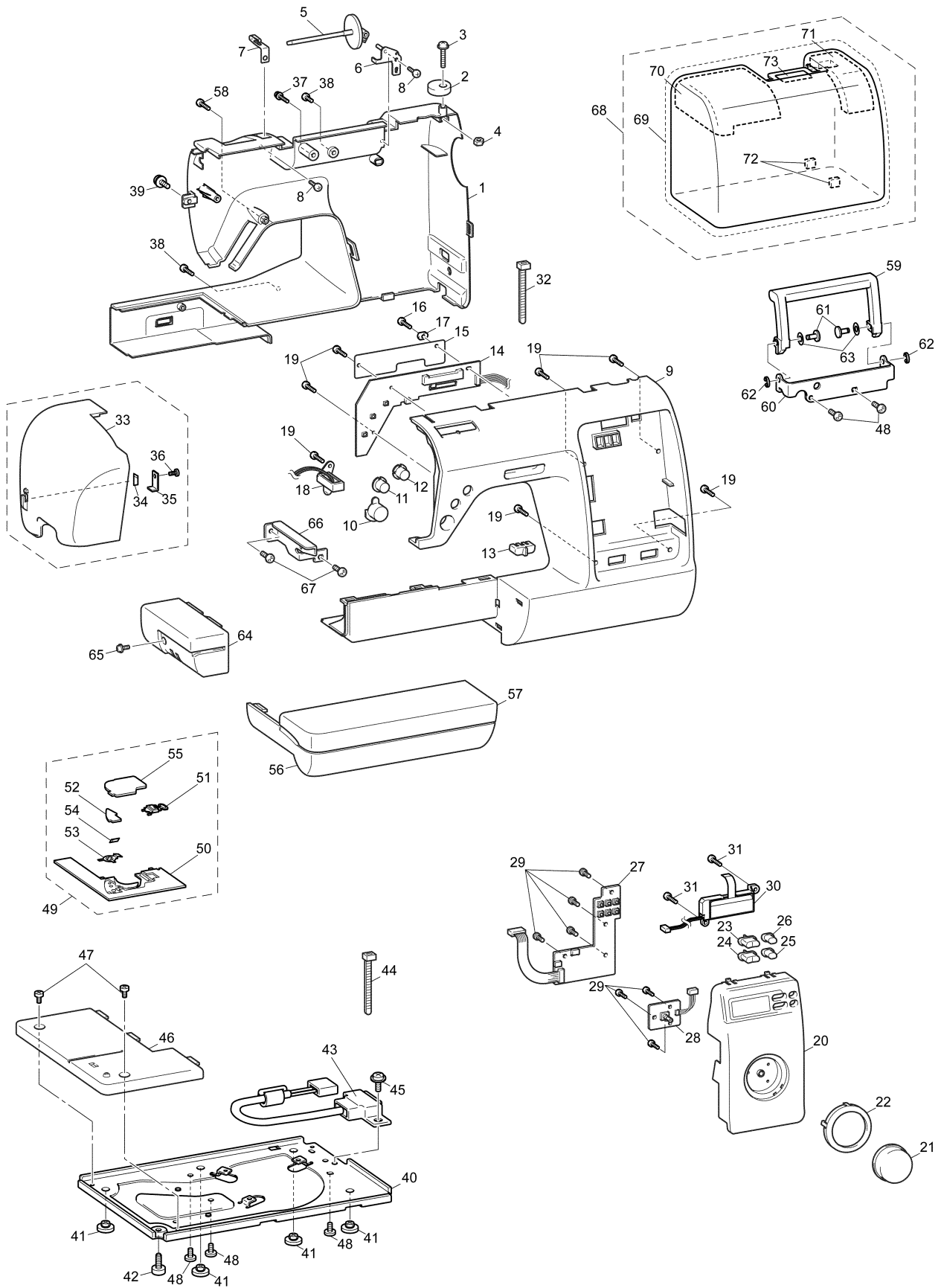
CONTENTS

(1) MAIN FRAME / COVER	2
(2) UPPER SHAFT / NEEDLE BAR / PRESSER FOOT UNIT ...	4
(3) FEED UNIT	6
(4) BOBIN WINDING / NEEDLE THREADING MECHANISM	8
(5) ELECTRIC PARTS / MAIN MOTOR UNIT	10
(6) ACCESSORY PARTS / USER MANUAL / PACKAGE	12
SPARE PARTS.....	14

Note on parts:

We keep performance parts for this sewing machine for at least 8 years after this model is discontinued. Performance parts are the necessary parts to maintain the function of the sewing machine.

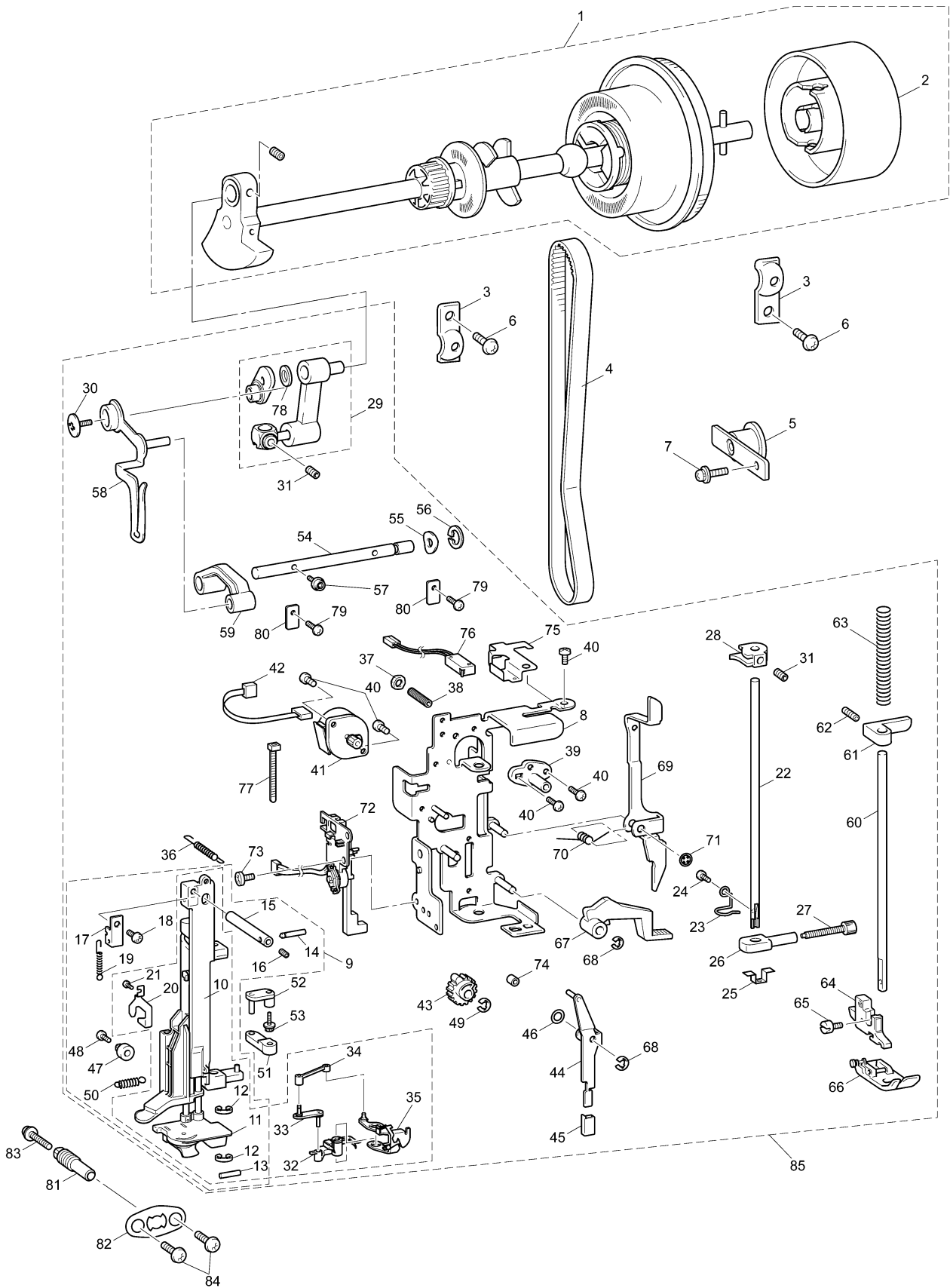
(1) MAIN FRAME / COVER



(1) MAIN FRAME / COVER

No.	CODE	NAME	REMARKS	No.	CODE	NAME	REMARKS
1	XE2479001	REAR COVER B		42	XE1973001	ADJUSTING SCREW ASSY	
2	XC4517151	BOBBIN PRESSER		43	XE2327001	INLET ASSY: M1 230	
3	0A4302006	SCREW PAN (S/P WASHER) M3X20		44	XE2839001	BAND	
4	021300106	NUT 1 M3		45	0A4400806	SCREW PAN (S/P WASHER) M4X8	
5	XA1786053	SPOOL PIN		46	XE1438001	BASE PLATE COVER	
6	XE1394001	SPOOL PIN HOLDER ASSY		47	XC7564021	SCREW, PAN (S/P WASHER) M3X6	
7	XE1490101	THREAD GUIDE SUPPORTING PLATE		48	X57908021	TAPTITE, BIND S M4X10	
8	085311216	TAPTITE BIND B M3X12		49	XD0354251	NEEDLE PLATE B ASSY	
9	XE2481001	FRONT COVER B		50	XD0355251	NEEDLE PLATE B	
10	XE2482001	SS BUTTON		51	XC7371022	SLIDE BUTTON	
11	XE1404001	REVERSE BUTTON		52	XD1666052	CUTTER COVER	
12	XE1406001	NP BUTTON		53	XD1461051	NEEDLE PLATE COVER SPRING	
13	XE1408001	SV KEY TOP		54	X80321021	NT LOWER THREAD CUTTER	
14	XE1573101	SSVR PCB ASSY: M1		55	XD1645021	NEEDLE PLATE COVER SUPPLY ASSY	
15	XZ5058001	INSULATOR SHEET: M1 SSVR		56	XE1440001	ACCESSORY TABLE	
16	085311216	TAPTITE BIND B M3X12		57	XE1441001	ACCESSORY TABLE DOOR	
17	XC6363021	BOARD PRESSER		58	085301616	TAPTITE BIND P M3X16	
18	XE1846001	LED LAMP R SUPPLY: M1		59	XE1447001	HANDLE	
19	085311016	TAPTITE BIND B M3X10		60	XE1448001	HANDLE HOLDER	
20	XE3571001	FRONT PANEL L SUPPLY ASSY NS30 (NS30)		61	XE1449001	HANDLE SHAFT	
	XE2872001	FRONT PANEL M SUPPLY ASSY (NV30)		62	048040346	RETAINING RING E4	
	XE3572001	FRONT PANEL M SUPPLY ASSY (ML750)		63	137713020	POLYESTER SLIDER	
	XE5880001	F PANEL M SUPPLY ASSY JS-70E (JS70E)		64	XE1450001	FREE ARM COVER	
21	XE2226001	SELECTING DIAL M		65	XC7566051	SCREW, PAN (S/P WASHER) M4X8	
22	XE2230002	DIAL DECORATION PLATE M		66	XC9746151	FREE ARM PLATE	
23	XE1424101	FEED ADJUSTING BUTTON		67	060400616	SCREW BIND M4X6	
24	XE1425101	ADJUSTING BUTTON		68	XE3307001	CASE ASSEMBLY (NV30: KOR)	
25	XE1426001	REINFORCEMENT STITCH BUTTON			XE2446001	CASE ASSEMBLY (OTHER)	
26	XE2513001	TWIN NEEDLE BUTTON		69	XE3838001	BAG 750X600H	
27	XE2190001	OPERATION PCB ASSY: M1YM		70	XE1444001	HEAD SUPPORT SF-L	
28	XE2191001	DIAL PCB ASSY: M1YM		71	XE1445201	HEAD SUPPORT SF-R	
29	136681021	TAPTITE BIND B M3X8		72	125440050	CASE FELT	
30	XE2336001	SINGLE LIGHT GUIDE ASSY: M1YM		73	XD0271021	MODEL MARK	
31	085311016	TAPTITE BIND B M3X10			XE1983001	CAUTION SEAL (NV30: KOR)	
32	X53169020	BAND			XC4167021	CAUTION STICKER (NV30: KOR)	
33	XE2488001	FACE PLATE			XE5773001	STICKER FOR TURKEY (NV30: TUR)	
34	X80321021	NT LOWER THREAD CUTTER					
35	XE1435001	FACE PLATE CUTTER HOLDER					
36	138433021	TAPTITE, PAN B M3X6					
37	087411416	TAPTITE CUP B M4X14					
38	060400816	SCREW BIND M4X8					
39	XC7568051	SCREW, PAN (S/P WASHER) M4X14					
40	XE2235001	BASE PLATE					
41	XA1805021	BASE RUBBER A					

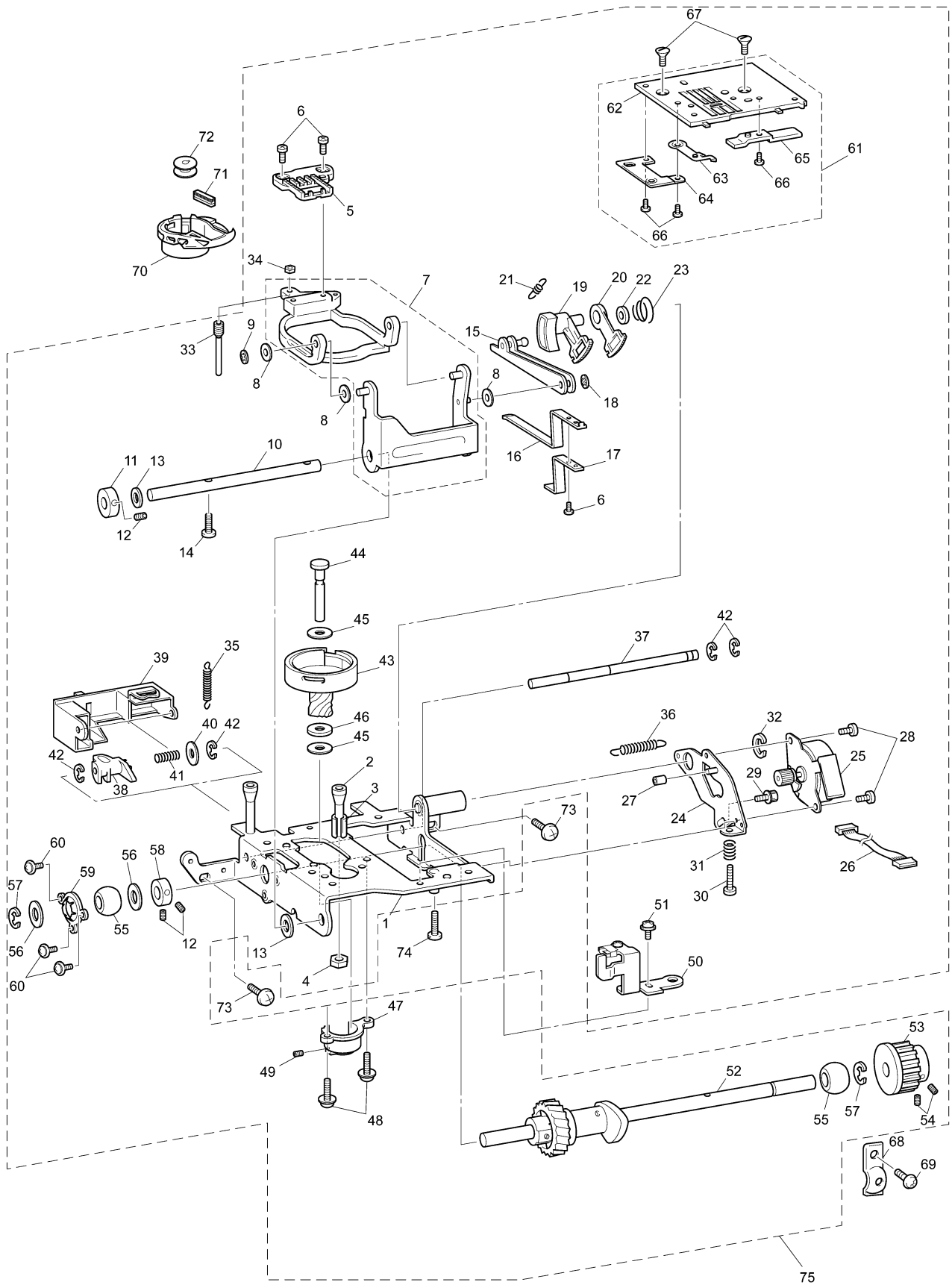
(2) UPPER SHAFT / NEEDLE BAR / PRESSER FOOT UNIT



(2) UPPER SHAFT / NEEDLE BAR / PRESSER FOOT UNIT

No.	CODE	NAME	REMARKS	No.	CODE	NAME	REMARKS
UPPER SHAFT MECHANISM				43	XC8760020	Z ZIGZAG CAM	
1	XE3706001	UPPER SHAFT SUPPLY ASSY		44	XC8761121	Z ZIGZAG LEVER ASSY	
2	XC2375051	PULLEY		45	XC8764020	Z LEVER CAP	
3	132421021	BUSHING PRESSER		46	137713020	POLYESTER SLIDER	
4	XC4869021	T BELT 420-5GT-6		47	XC2435020	ZIGZAG ADJUSTING NUT	
5	XE3581001	TENSION PULLEY ASSEMBLY		48	018301032	BOLT SOCKET M3X10	
6	X57908021	TAPTITE, BIND S M4X10		49	048030346	RETAINING RING E3	
7	138172021	SCREW, PAN(S/P WASHER)M4X10		50	XC2748021	SPRING-Z	
NEEDLE BAR / PRESSER FOOT UNIT				51	XC2436021	NEEDLE HOLDER BLOCK	
8	XC8741121	BASE HOLDER ASSY		52	XC2437021	SHAFT ASSY	
9	XE1457001	NEEDLE BAR HOLDER ASSY		53	XC3037021	SCREW3X10	
10	XE1458101	NEEDLE BAR SUPPORTER ASSY		54	XE1470101	TAKE-UP SUPPORT SHAFT	
11	XE1466001	THREAD HOLD GUIDE B ASSY		55	XZ5030001	WASHER, SPRING	
12	048025346	RETAINING RING E2.5		56	048050346	RETAINING RING E5	
13	XE4784001	PIN 2X6		57	XC3338021	SCREW3X8	
14	XC2420020	SHAFT		58	XC8564031	THREAD TAKE-UP LEVER	
15	XC8754021	NEEDLE HOLDER SHAFT A		59	XC4897020	THREAD TAKE-UP LEVER LINK	
16	014300532	SET SCREW SOCKET (CP) M3X5		60	XC4898021	PRESSER BAR	
17	XC8755020	PLATE		61	XC4899121	PRESSER BAR CLAMP	
18	060300516	SCREW BIND M3X5		62	XC7207021	SCREW STUD M5	
19	X50476021	SPRING		63	XC4900021	SPRING	
20	XE1463001	HOOK RELEASE PLATE		64	XE2555101	PRESSER FOOT HOLDER ASSY	
21	000020416	SCREW BIND M2X4		65	132730122	TIGHTENING SCREW 3.57	
22	XC2423021	NEEDLE BAR		66	XC3021031	Z FOOT	
23	XC2424021	NEEDLE BAR THREAD GUIDE		67	XC4902021	PRESSER FOOT LIFTER	
24	X53053052	SCREW SM2.38		68	048040346	RETAINING RING E4	
25	XC2426020	NEEDLE THREAD PLATE		69	XE1471001	THREAD RELEASE LEVER	
26	XC2427051	NEEDLE BLOCK		70	XC4904121	SPRING	
27	XZ0388251	NEEDLE CLAMP SCREW		71	146200021	RETAINING RING, CS4	
28	XC2434021	NEEDLE THREAD BLOCK		72	XC8767021	BH SWITCH ASSY	
29	XC6562131	NEEDLE BAR CRANK ROD ASSY		73	0A4400806	SCREW PAN (S/P WASHER) M4X8	
30	XE1999001	SCREW, FLAT SM3.57-40X7 L		74	XC8773020	RUBBER	
31	012400432	SET SCREW SOCKET (FT) M4X4		75	XE1507001	PRESSER SWITCH HOLDER	
32	XE1464501	THREADER HOOK ASSY		76	XC8775021	PF SWITCH ASSY, LE	
33	XD1546051	LINK A ASSY		77	X53169020	BAND	
34	XD1548151	LINK B		78	X53330020	WASHER	
35	XE1465001	THREAD GUIDE ASSY		79	X57908021	TAPTITE, BIND S M4X10	
36	XC2429021	SPRING		80	X50532021	PRESSER PLATE	
37	X56851021	LOCK NUT		81	XC2504050	ADJUSTING SCREW	
38	014401232	SET SCREW SOCKET (CP) M4X12		82	XC6056120	PLATE SPRING	
39	XC8756021	SHAFT BUSHING		83	XZ0380051	SCREW, PAN(WASHER)M3X18	
40	060300616	SCREW BIND M3X6		84	060400816	SCREW BIND M4X8	
41	XC8757021	Z PULSE MOTOR: M35SP-9N					
42	XC8733021	LEAD WIRE SUB ASSY, ZPM-LE		85	XE4807001	NEEDLE UNIT SUPPLY ASSY M1S	

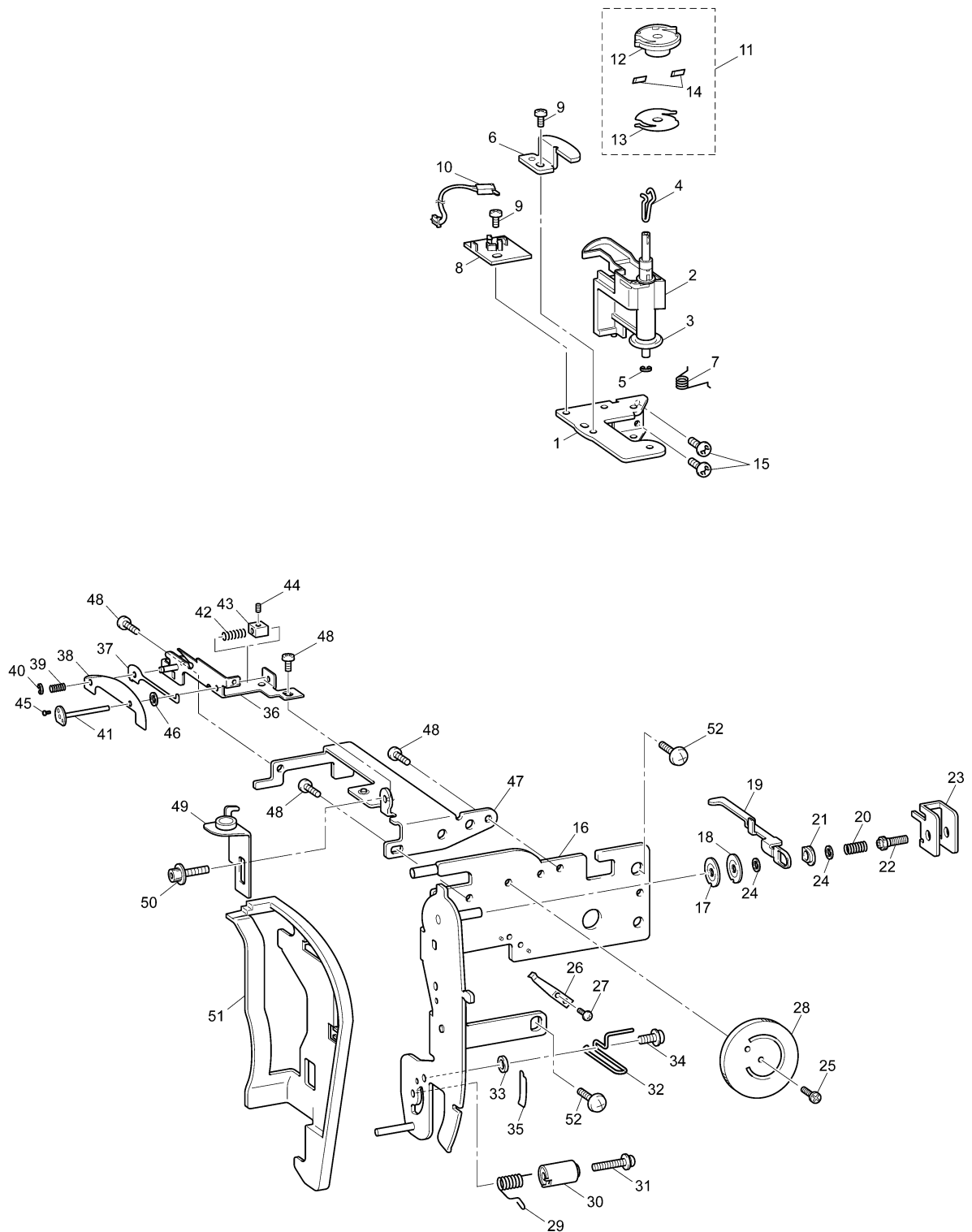
(3) FEED UNIT



(3) FEED UNIT

No.	CODE	NAME	REMARKS	No.	CODE	NAME	REMARKS
1	XE1475101	BASE PLATE ASSY		45	137805022	SPACER	
2	XC8782021	NEEDLE PLATE SUPPORTER SHAFT B		46	137976021	WASHER 6	
3	XC8783020	FEED ARM SUPPORTER		47	XE1481001	SHAFT SUPPORTER	
4	021300106	NUT 1 M3		48	138172021	SCREW, PAN(S/P WASHER)M4X10	
5	XE7489001	FEED DOG		49	014400632	SET SCREW SOCKET (CP) M4X6	
6	060300616	SCREW BIND M3X6		50	XE3650101	INNER ROTARY HOOK BRACKET ASSY	
7	XE2015201	FEED BAR ASSY		51	XC7564021	SCREW, PAN (S/P WASHER) M3X6	
8	137999020	POLYESTER SLIDER		52	XE1484001	LOWER SHAFT ASSY	
9	146200021	RETAINING RING, CS4		53	XC4943021	TIMING PULLEY D	
10	XE1477001	HORIZONTAL FEED SHAFT		54	014500532	SET SCREW SOCKET (CP) M5X5	
11	130676121	SET SCREW COLLAR		55	X52664020	LOWER SHAFT BUSHING	
12	014400432	SET SCREW SOCKET (CP) M4X4		56	X51383020	WASHER, THRUST	
13	X50546020	WASHER, THRUST		57	048060346	RETAINING RING E6	
14	060301206	SCREW BIND M3X12		58	XC8798021	SET COLLAR	
15	XC4924021	FEED ARM ASSY		59	XC4944021	BUSHING PRESSER B	
16	XC4927021	FEED SUPPORTING PLATE		60	085310615	TAPTITE BIND B M3X6	
17	XC4928120	FEED SUPPORTING PLATE B		61	XE1827101	NEEDLE PLATE A ASSY	
18	X56655021	RETAINING RING: CSTW-3.5		62	XE1828201	NEEDLE PLATE A	
19	XC2527121	FEED ADJUSTER		63	XC9728051	STOPPER PLATE	
20	XC2529020	F GEAR		64	XE1488001	NEEDLE PLATE B SUPPORT PLATE	
21	XC2530021	SPRING		65	XE8544001	F GEAR STOPPER PLATE	
22	137713020	POLYESTER SLIDER		66	060260316	SCREW BIND M2.6X3	
23	XC2531021	SPRING		67	X50487021	SCREW M4	
24	XC8791021	FPM HOLDER SUB ASSY		68	132421021	BUSHING PRESSER	
25	XC8757021	Z PULSE MOTOR: M35SP-9N		69	X57908021	TAPTITE, BIND S M4X10	
26	XC8793021	LEAD WIRE ASSY, FPM-LE		70	XE7560001	INNER ROTARY HOOK ASSY	
27	XC8773020	RUBBER		71	XC3137000	PILE	
28	060300416	SCREW BIND M3X4		72	X52800120	BOBBIN	
29	XC3338021	SCREW3X8		73	XE1489001	STUD SCREW M4	
30	018402533	BOLT SOCKET M4X25		74	060301206	SCREW BIND M3X12	
31	XC2537021	SPRING					
32	XC9924021	RETAINING RING 10		75	XE4813101	FEED UNIT SUPPLY ASSY M1	
33	XC3941021	VERTICAL ADJUSTER SCREW ASSY					
34	XC2546021	M5 NUT					
35	XE1940001	SPRING					
36	XE1478001	SPRING					
37	XC8794021	VERTICAL FEED SHAFT					
38	XC2551020	VERTICAL LEVER					
39	XE1479001	DROP KNOB					
40	025040332	WASHER PLAIN L 4					
41	XC2550021	SPRING					
42	048030346	RETAINING RING E3					
43	XC4141121	OUTER ROTARY HOOK ASSY					
44	XE1480001	OUTER ROTARY HOOK SHAFT					

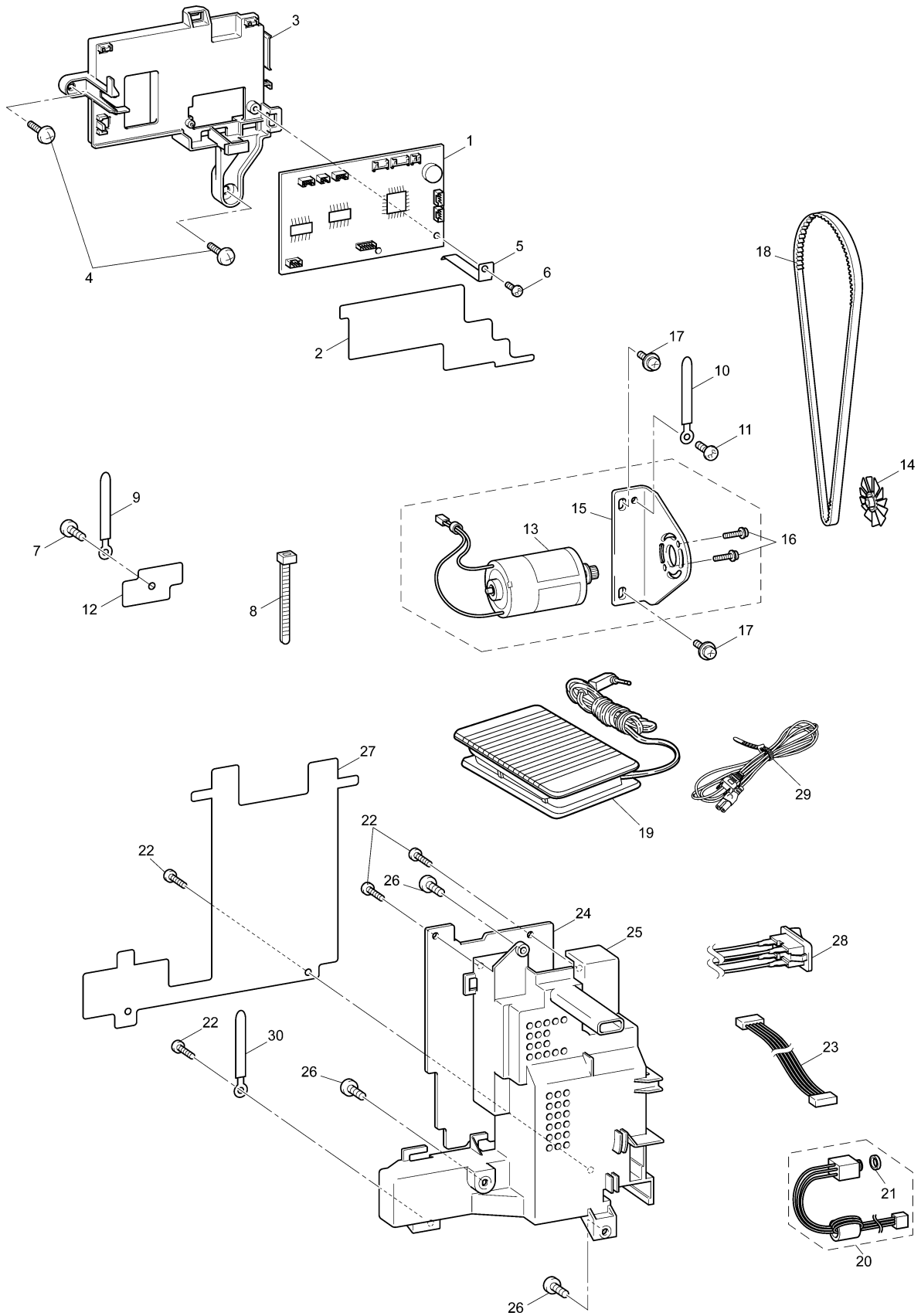
(4) BOBIN WINDING / NEEDLE THREADING MECHANISM



(4) BOBIN WINDING / NEEDLE THREADING MECHANISM

No.	CODE	NAME	REMARKS	No.	CODE	NAME	REMARKS
BOBIN WINDING MECHANISM				43	XE1518001	ADJUSTING COLLAR	
1	XE1494001	BOBBIN WINDER ASSEMBLY HOLDER		44	012300432	SET SCREW SOCKET (FT) M3X4	
2	XE1495001	BW SHAFT HOLDER ASSEMBLY		45	X57363051	POWER LOCK 2X3	
3	X55238021	RUBBER RING		46	XE3403001	SPACER	
4	XZ5039001	BOBBIN WINDER SHAFT SPRING		47	XE1509001	THREAD GUARD HOLDER	
5	048050343	RETAINING RING E5		48	060300416	SCREW BIND M3X4	
6	XA2862021	BOBBIN WINDER SHAFT STOPPER		49	XE1519101	BOBBIN WINDER GUIDE ASSY	
7	XZ0070021	BOBBIN WINDER SPRING		50	XC3037021	SCREW3X10	
8	XC2614021	SW ADJUST PLATE		51	XE1521001	THREAD GUARD COVER	
9	060300616	SCREW BIND M3X6		52	XE1489001	STUD SCREW M4	
10	XC2612051	SW ASSY: BW-F					
11	XC4672051	BOBBIN BASE ASSY					
12	XC2616051	BOBBIN BASE					
13	XA5877021	BOBBIN THREAD CUTTER HOLDER					
14	X80321021	NT LOWER THREAD CUTTER					
15	X57908021	TAPTITE, BIND S M4X10					
NEEDLE THREADING MECHANISM							
16	XE1504001	THREAD TENSION HOLDER SUB ASSY					
17	XA0083121	TENSION DISC A					
18	XA0084121	TENSION DISC B					
19	XE1506001	THREAD RELEASE PLATE					
20	X55842021	SPRING					
21	XA1388021	TENSION DISC WASHER					
22	XC5053021	THREAD TENSION ADJUSTING SCREW					
23	XC5054021	THREAD TENSION PLATE					
24	XD0573021	WASHER					
25	XC9234021	TENSION DIAL SHAFT					
26	XE1924101	NOTCHED SPRING					
27	062300416	SCREW PAN M3X4					
28	XE5650001	THREAD TENSION DIAL					
29	XE2029001	SPRING					
30	XC2648121	THREAD CATCHING SPRING CASE					
31	0A4301806	SCREW, PAN (S/P WASHE) M3X18					
32	XC2651050	THREAD GUIDE WIRE					
33	XA9996051	WASHER, PLAIN					
34	XC7564021	SCREW, PAN(S/P WASHER)M3X6					
35	XE5984001	SPRING TAPE					
36	XE1512101	THREAD GUIDE PLATE SUB ASSY					
37	XE1514001	SPACER					
38	XE1515101	TENSION PLATE					
39	X57605051	SPRING					
40	048020346	RETAINING RING E2					
41	XE1516001	TENSION PRESSER PLATE ASSY					
42	XA9577051	SPRING					

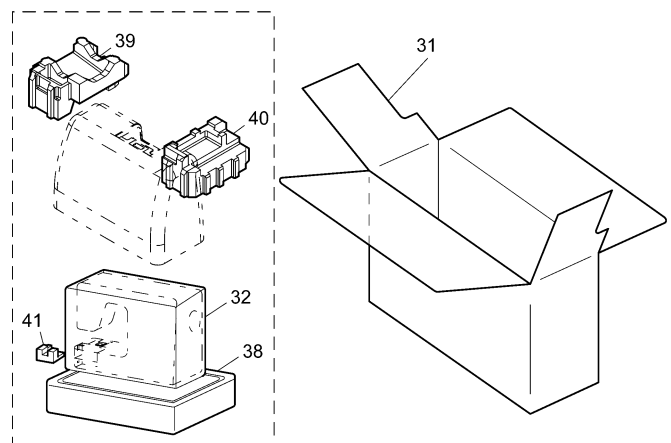
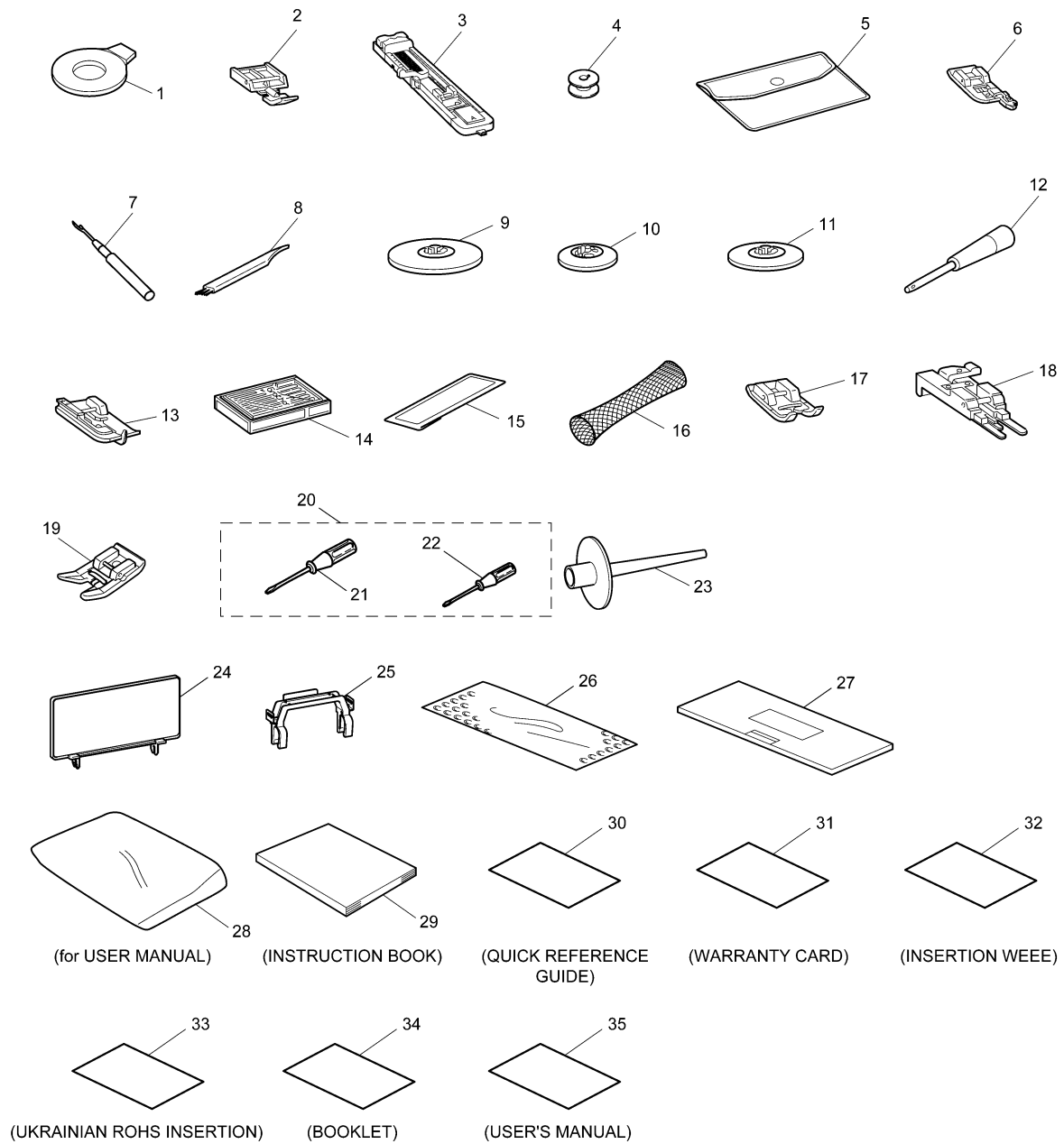
(5) ELECTRIC PARTS / MAIN MOTOR UNIT



(5) ELECTRIC PARTS / MAIN MOTOR UNIT

No.	CODE	NAME	REMARKS
ELECTRIC PARTS			
1	XE2879001	MAIN PCB SUPPLY ASSY: M1YM70	
2	XE1596101	INSULATOR SHEET: M1 MAIN	
3	XE1523001	SHUTTER COVER	
4	XE1489001	STUD SCREW M4	
5	XC8810020	MAIN PCB PLATE SPRING	
6	085311016	TAPTITE BIND B M3X10	
7	060400616	SCREW BIND M4X6	
8	X53169020	BAND	
9	XA0286021	WIRE CLIP	
10	137947001	CLIP	
11	060300616	SCREW BIND M3X6	
12	XE1976001	INSULATOR SHEET: M1 PROTECT	
MAIN MOTOR UNIT			
13	XE8486001	MAIN MOTOR SUB ASSY (NV30: HKG, SGP, CHN)	
	XE1640101	MAIN MOTOR SUB ASSY: M1 (OTHER)	
14	XC3803020	MOTOR FAN	
15	XE1526001	MOTOR HOLDER	
16	0A5300806	SCREW PAN (S/P WASHER) M3X8	
17	XA8474021	UPSET 4X12 DB	
18	XC2685051	T BELT494-2GT-6	
19	XC8816021	FOOT CONTROLLER: FC-322-81-LF	
	XD0501021	FOOT CONTROLLER: FC-322-LF-EU	
POWER SUPPLY UNIT			
20	XE1851001	FC JACK SUPPLY ASSY: M1	
21	XD1973021	NUT F	
22	085311016	TAPTITE BIND B M3X10	
23	XE1588001	POWER LEAD WIRE ASSY	
24	XE8575001	POWER PCB SUPPLY ASSY 230#2 (NV30: HKG, SGP, CHN)	
	XE2877001	POWER PCB SUPPLY ASSY 230V: M1 (OTHER)	
25	XE1524201	INSULATION COVER	
26	060400816	SCREW BIND M4X8	
27	XE1598001	INSULATOR SHEET: M1 POWER	
28	XE2330001	PW SW ASSY: M1Y230	
29	X59354121	POWER SUPPLY CORD BS (UK, HKG)	
	XE2016001	POWER SUPPLY CORD KOR (KOR)	
	XC9548021	POWER SUPPLY CORD: SAA-LF (AUS&NZL)	
	XA5820021	MAIN POWER CODE (CHN)	
	XA0070121	POWER SUPPLY CORD (OTHER)	
30	X52318021	COACHING CLIP CS-2	

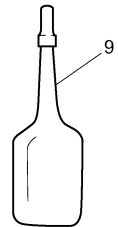
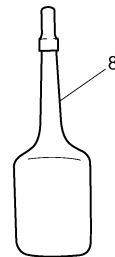
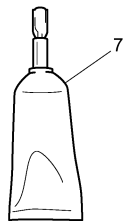
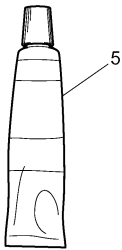
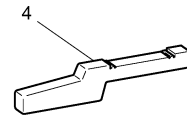
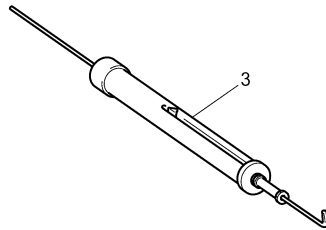
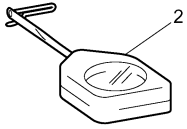
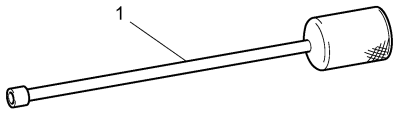
(6) ACCESSORY PARTS / USER MANUAL / PACKAGE



(6) ACCESSORY PARTS / USER MANUAL / PACKAGE

No.	CODE	NAME	REMARKS	No.	CODE	NAME	REMARKS
ACCESSORY PARTS							
1	XC1074051	DISC-SHAPED SCREWDRIVER		30	XE2425001	QUICK REFERENCE GUIDE	
2	X59370021	ZIPPER FOOT			XE5016001	QUICK REFERENCE GUIDE BG (EEU)	
3	XC2691033	BH PRESSER FOOT ASSY		31	XE9699001	WARRANTY CARD EU (EUROPE)	
4	X52800120	BOBBIN			XD1328221	WARRANTY CARD CHINA (CHN)	
5	XC4487021	ACCESSORY BAG		32	XD0256121	INSERTION WEEE	
6	XE6305101	OVERCASTING STITCH FOOT ASSY		33	XE9897001	UKRAINIAN ROHS INSERTION (RUS)	
7	XZ5082001	SEAM RIPPER		34	XE1158101	BOOKLET (DEU, UK, FRA&BEL&NLD, ITA, CHE, EEU, NEU)	
8	X59476021	CLEANING BRUSH		35	XE5882001	USER'S MANUAL (JS70E)	
9	130012024	SPOOL PRESSER A		PACKAGE			
10	130013124	SPOOL PRESSER B		36	XE8553001	CARTON SUPPLY ASSY (NV30: HKG, CHN)	
11	XE1372001	SPOOL PRESSER C			XE9445001	COLOR CARTON MODEL:NV30 (NV30: SGP, UAE, TUR)	
12	XZ5051001	PUNCH			XE2682001	CARTON MID RUS (NV30: RUS)	
13	XE2650001	BLIND STITCH FOOT ASSY			XE2246001	CARTON MID (NV30: OTHER)	
14	X58358021	Z NEEDLE ASSY			XE9739001	COLOR CARTON MODEL:NS30 (NS30)	
15	X59296121	TWIN NEEDLE (1PC)			XE3078001	CARTON MID RUS ML750 (ML750)	
16	XA5523020	NET			XE5820001	CARTON MID RUS (JS70E)	
17	XD0810031	TRANSPARENCY PRESSER FOOT		37	X60439151	BAG, 630X630T	
18	XE2643001	BUTTONING FOOT ASSY		38	XE1533001	BODY SUPPORT SF	
19	XA4783001	NO STICK FOOT H (JS70E)		39	XE1534001	CASE SUPPORT SF-L	
20	XE0243001	SCREW DRIVER ASSY		40	XE1535001	CASE SUPPORT SF-R	
21	XC8349021	SCREW DRIVER		41	XC4762250	THREADER SUPPORT SF	
22	X55468021	SCREW DRIVER S					
23	XE2241001	EXTRA SPOOL PIN					
24	XE2444001	STITCH PATTERN PLATE 70					
25	XE2238001	STITCH PATTERN PLATE HOLDER					
26	XE2800001	BAG BUBBLE PACK 180X320					
27	XE2801001	STITCH PATTERN PLATE PAD					
USER MANUAL							
28	130800021	BAG, 230X310H					
29	XE2417101	INSTRUCTION BOOK ENG (English)					
	XE2418101	INSTRUCTION BOOK GER (German)					
	XE2419101	INSTRUCTION BOOK FRE (French)					
	XE2420101	INSTRUCTION BOOK DUT (Dutch)					
	XE2421101	INSTRUCTION BOOK SPA (Spanish)					
	XE2422101	INSTRUCTION BOOK ITA (Italy)					
	XE2423101	INSTRUCTION BOOK RUS (Russian)					
	XE3399101	INSTRUCTION BOOK KOR (Korean)					
	XE4604101	INSTRUCTION BOOK CHN (Chinese)					
	XE4560101	INSTRUCTION BOOK SWE/FIN (NEU)					
	XE4562101	INSTRUCTION BOOK DEN/NOR (NEU)					
	XE4557101	INSTRUCTION BOOK EEU (EEU)					
	XE4563101	INSTRUCTION BOOK EEU (EEU)					
XE5009101	INSTRUCTION BOOK BG (EEU)						

SPARE PARTS



brother®

10F07HF885V13