



Home Sewing Machine

PARTS REFERENCE LIST

MODEL: NV4000D

CONFIDENTIAL

©2005 Brother Industries, Ltd.
All rights reserved.

Published: Aug.,2005
Revised: Aug.,2011

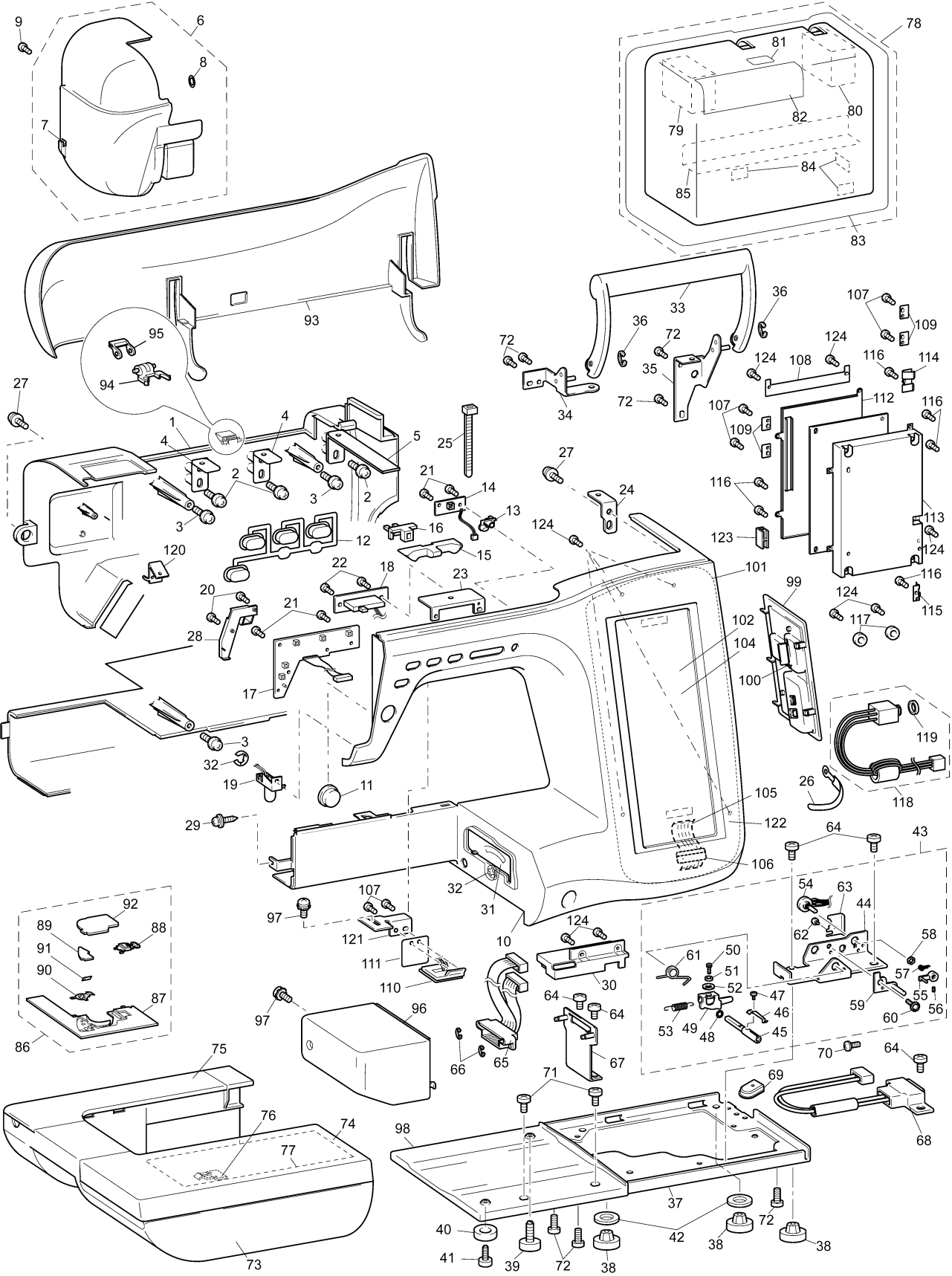
CONTENTS

(1) MAIN FRAME / COVER	2
LCD SUPPLY ASSEMBLY	6
(2) UPPER SHAFT / NEEDLE BAR / PRESSER FOOT UNIT ...	8
(3) FEED / SIDE FEED / THREAD CUTTING UNIT	10
(4) LOWER SHAFT / BOBIN WINDING MECHANISM	12
(5) NEEDLE THREADING / SHUTTLE THREADING MECHANISM	14
(6) ELECTRIC PARTS / MAIN MOTOR UNIT	18
(7) EMBROIDERY UNIT	20
(8) ACCESSORY PARTS	24
(9) USER MANUAL / OTHER PARTS / PACKAGE	26
NEEDLE-PRESSER MODULE.....	28
FEED MODULE	32
THREAD CUTTER MODULE	36

Note on parts:

We keep performance parts for this sewing machine for at least 8 years after this model is discontinued. Performance parts are the necessary parts to maintain the function of the sewing machine.

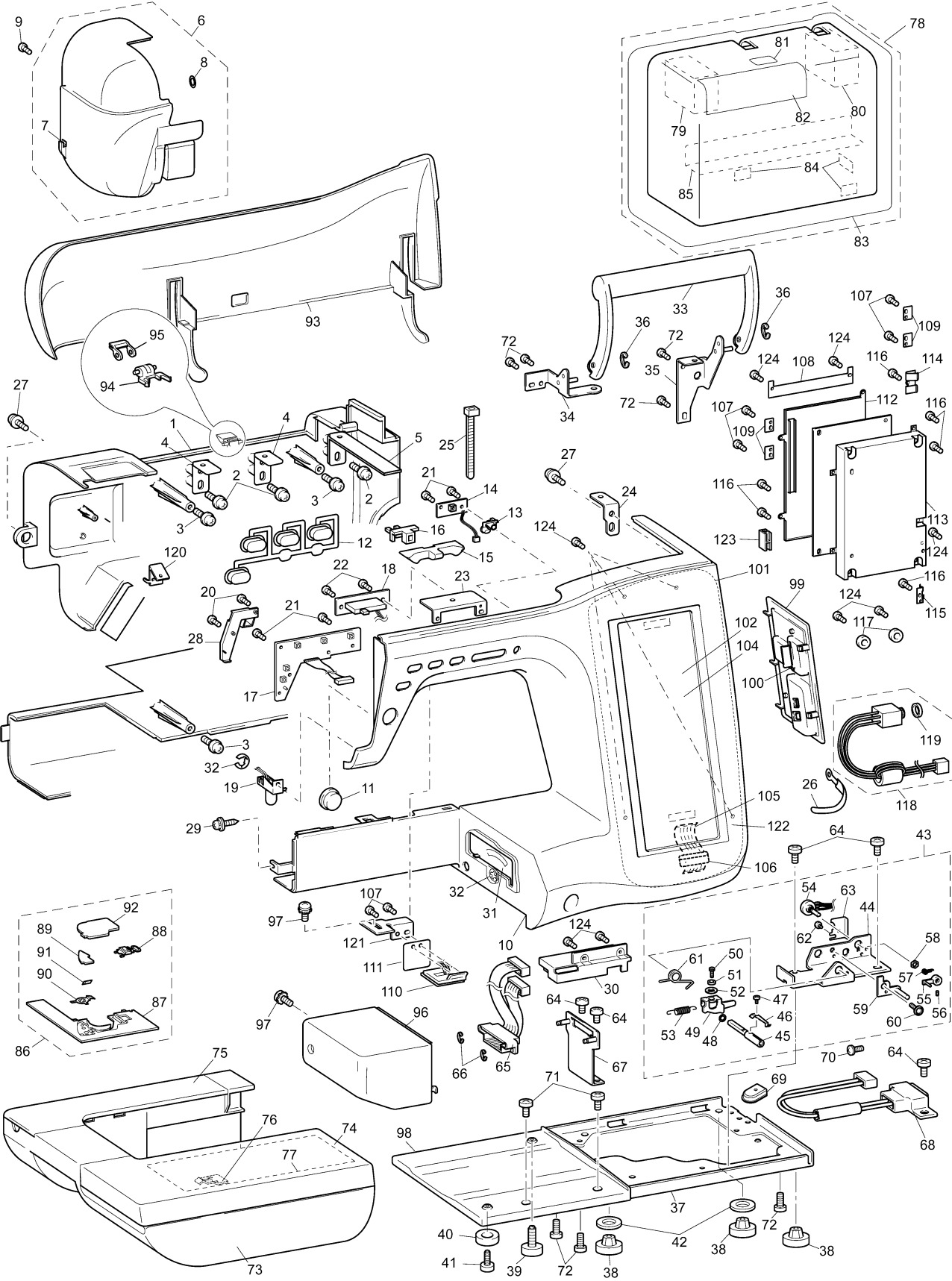
(1) MAIN FRAME / COVER



(1) MAIN FRAME / COVER

No.	CODE	NAME	REMARKS	No.	CODE	NAME	REMARKS
1	XC7683051	REAR COVER		45	XC7739151	SHAFT	
2	087411016	TAPTITE CUP B M4X10		46	XA6215251	SPRING, PLATE	
3	087411416	TAPTITE CUP B M4X14		47	060260316	SCREW BIND M2.6X3	
4	XC7717051	PLATE A		48	X51383050	WASHER, THRUST	
5	XC7718051	PLATE B		49	XC7740051	LIFTER LINK	
6	XC7719151	FACE PLATE ASSY		50	XA6252051	SCREW	
7	X80321001	NT LOWER THREAD CUTTER		51	028040242	WASHER SPRING 2-4	
8	138384051	RETAINING RING, CS5		52	026040236	WASHER PLAIN M 4	
9	0A6401206	SCREW, PAN (T WASHER) M4X12		53	XC7741051	SPRING	
10	XC7685151	FRONT COVER		54	XC8208051	ASSY: KNEE LIFTER SENSOR	
11	XC7723051	SS BUTTON		55	XA6493051	PT LEVER	
12	XC7724051	BUTTON		56	012300632	SET SCREW SOCKET (FT) M3X6	
13	XC7726051	THREAD BUTTON		57	XC7742051	SPRING	
14	XC8196051	ASSY: THSW PCB D6		58	026060235	WASHER-PLAIN-M-6	1000026339
15	XC7728051	SV KEYTOP		58	X52569001	NUT	
16	XC7729051	SV JOINT PLATE		59	XC7743051	STOPPER PLATE ASSY	
17	XC8199051	ASSY: SS PCB D6		60	0A5400806	SCREW PAN (S/P WASHER) M4X8	
18	XC8202051	ASSY: VR PCB D6		61	XC8624051	KNEE LIFTER SPRING	
19	XE0617001	LED LAMP UNIT NEEDLE AREA D6R	1000026264	63	XC8573051	WASHER, WAVE SPRING	1000026339
20	085311415	TAPTITE BIND B M3X14		62	060300416	SCREW BIND M3X4	1000026339
21	136681051	TAPTITE, BIND B M3X8		63	XF0815001	PT METER PLATE	1000026339
22	X59629051	TAPTITE, BIND B M3X10		64	0A4400806	SCREW PAN (S/P WASHER) M4X8	1000026412
23	XC7838051	PLATE C		65	XC8210051	ASSY, MAIN BODY LEAD WIRE	
24	XC7839151	PLATE D		66	048030346	RETAINING RING E3	
25	X53169050	BAND		67	XC7746051	CONNECTOR HOLDER ASSY	
26	137947001	CLIP		68	XC8419051	INLET ASSY: D6 EU	
27	087411016	TAPTITE CUP B M4X10		69	XE1830001	SAFETY COVER	
28	XC8680050	S HOLDER		70	060300616	SCREW BIND M3X6	
29	XC4433051	SCREW, PAN (T WASHER) M3X6		71	060400616	SCREW BIND M4X6	
30	XC8478250	INVERTER COVER		72	X57908052	TAPTITE, BIND S M4X10	
31	XA9400151	CONNECT COVER		73	XC7687051	ACCESSORY TABLE	
32	146200051	RETAINING RING, CS4		74	XD0698051	ACC TABLE F COVER SUPPLY ASSY	
33	XC7686051	HANDLE		75	XC7689051	ACCESSORY TABLE REAR COVER	
34	XC7731051	HANDLE HOLDER L ASSY		76	138644051	NOTCHED SPRING	
35	XC7733051	HANDLE HOLDER R ASSY		77	XC8155151	SPONGE	
36	048040346	RETAINING RING E4		78	XD1551051	CASE ASSEMBLY	
37	XC7736051	BASE PLATE		79	XD1470050	UNDER CASE POLYSTYRENE L	
38	XA1805051	BASE RUBBER A		80	XD1469050	UNDER CASE POLYSTYRENE R	
39	XA4687051	ADJUSTING SCREW ASSY		81	XA3028052	DECORATION PLATE	
40	XA4689051	BASE PLATE RUBBER		82	XD1464051	CASE COVER	
41	062500816	SCREW PAN M5X8		83	XC8613051	BAG 900X600H	
42	131976050	WASHER, THRUST		84	125440050	CASE FELT	
43	XC7737151	KNEE LIFTER ASSEMBLY	1000026339	85	XD1465051	SHEET FOR D6 HARDCASE	
44	XC7738151	LIFTER BASE	1000026339	86	XC2364352	NEEDLE PLATE B ASSY	1000026561

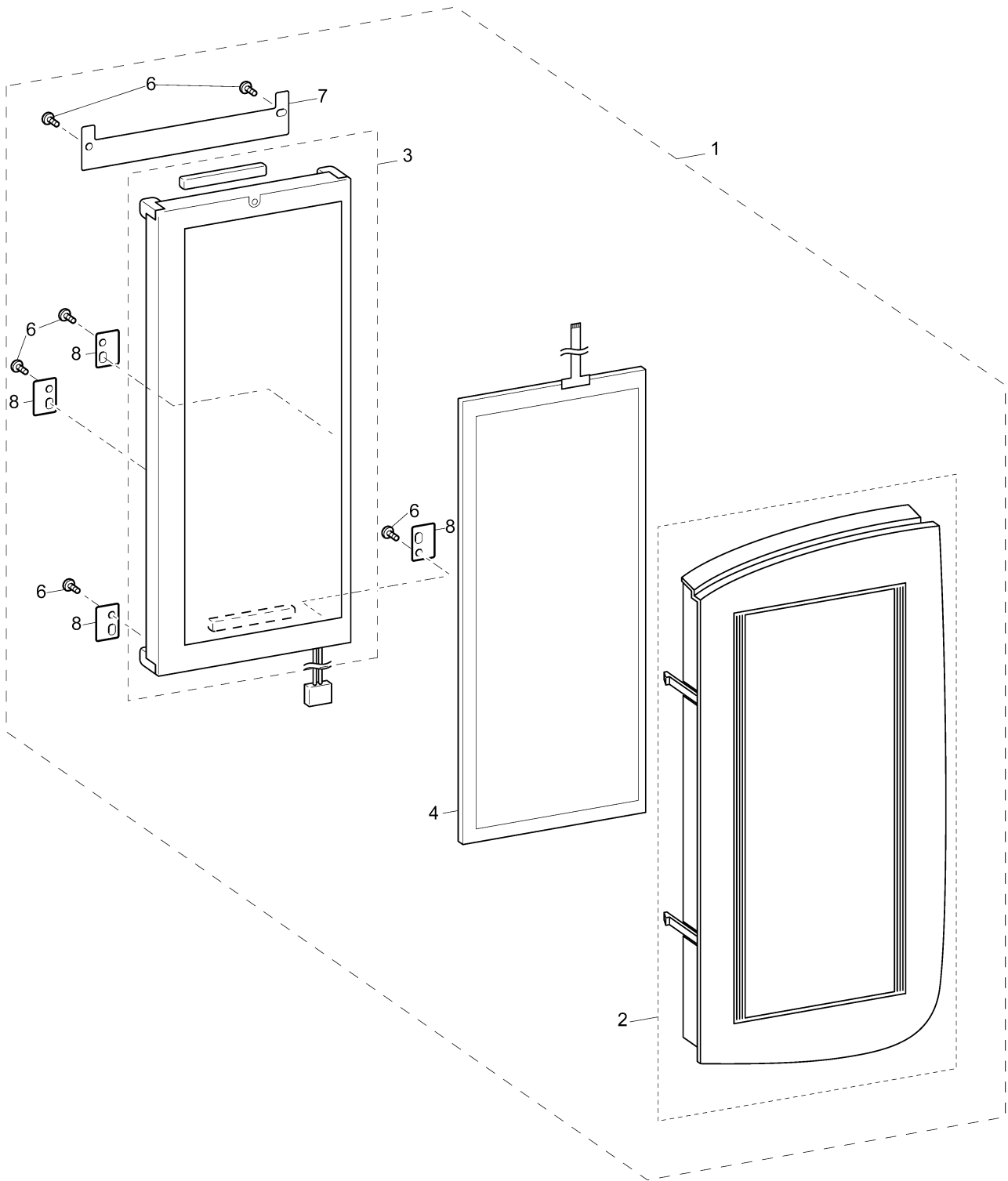
(1) MAIN FRAME / COVER



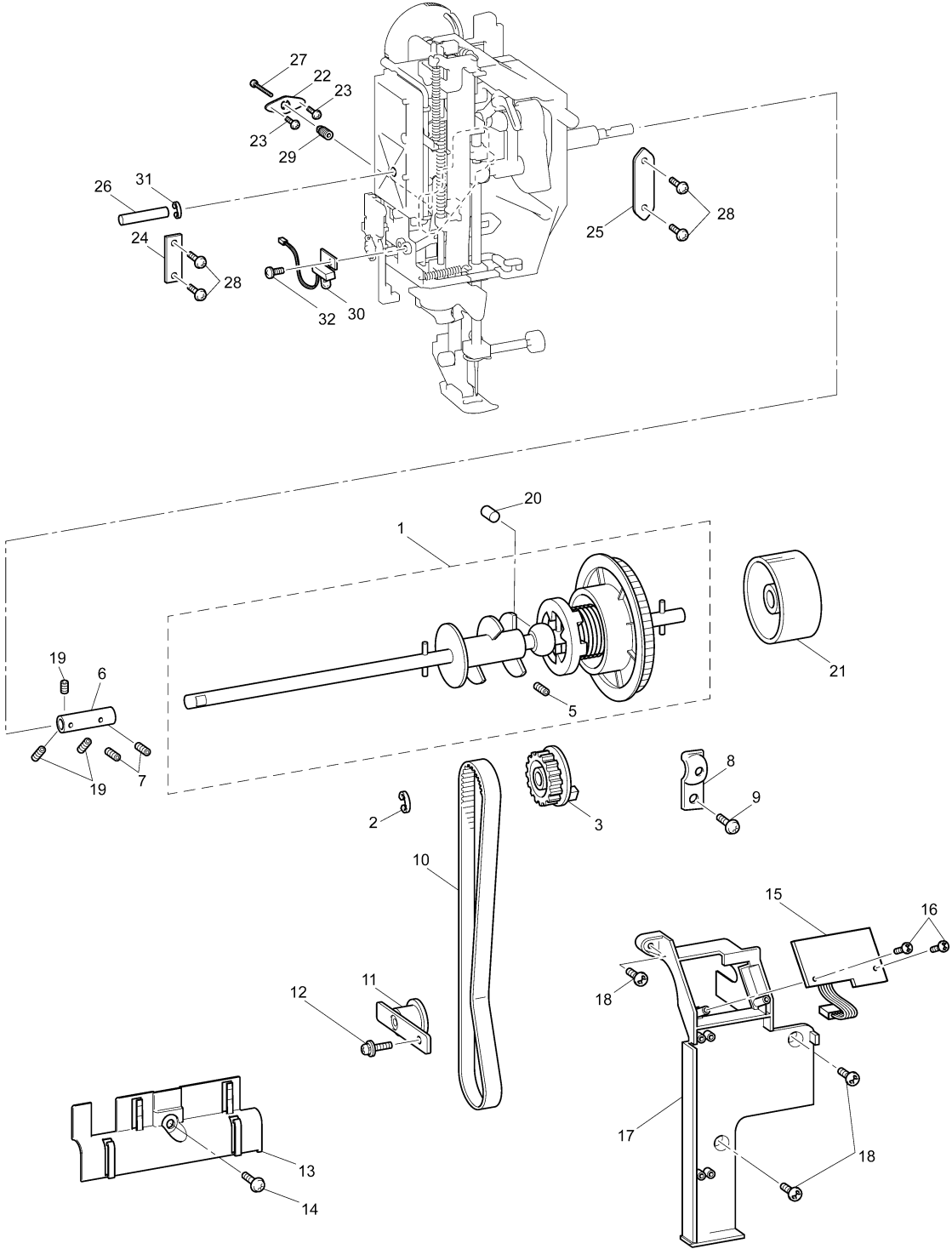
(1) MAIN FRAME / COVER

No.	CODE	NAME	REMARKS
87	XC2365252	NEEDLE PLATE B	
88	XC2366152	SLIDE BUTTON	
89	XD1666052	CUTTER COVER	
90	XD1461051	NEEDLE PLATE COVER SPRING	
91	X80321001	NT LOWER THREAD CUTTER	
92	XE8992001	NEEDLE PLATE COVER ASSY	1000026561
93	XC7690053	TOP COVER	
94	XZ0391051	UPPER COVER HOLDER	
95	XC3286001	UPPER COVER HINGE OEM	
96	XC7691051	FREE ARM COVER	
97	0A6400806	SCREW PAN (T WASHER) M4X8	
98	XC7692051	BASE PLATE COVER	
99	XC7693451	CARD PCB COVER	
100	XC7756051	PEN HOLDER	
101	XC8684151	LCD MODULE SUPPLY ASSY	
102	XC8211051	TOUCH PANEL D6	
103	XA6039051	FRONT COVER SPACER B	
104	XC8892151	LCD SUPPLY ASSY	
105	XD1115051	FFC: SML2CD-20X70	
106	XC8660051	FERRITE CORE: FS18X12X5	
107	X59629051	TAPTITE, BIND B M3X10	
108	XC7840051	LCD PRESSER A	
109	XC7850051	LCD PRESSER B	
110	XE9885001	LED LAMP UNIT WORK AREA D6	
111	XC7759051	INSULATION SHEET	
112	XC7761051	BOARD CASE UPPER	
113	XC7762051	BOARD CASE LOW	
114	XC8533051	GROUND PLATE UPPER	
115	XC8534051	GROUND PLATE LOW	
116	060300516	SCREW BIND M3X5	
117	XC4543021	BOARD PRESSER	
118	XC8668051	FC JACK SUPPLY ASSY	
119	XE7829001	NUT N	1000025440
120	XC8430051	ADJUST PLATE A	
121	XC8431051	ADJUST PLATE B	
122	XC9233051	BADGE ASSEMBLY	
123	XD0976050	PCB HOLDER	
124	085311216	TAPTITE, BIND B M3X12	

LCD SUPPLY ASSEMBLY



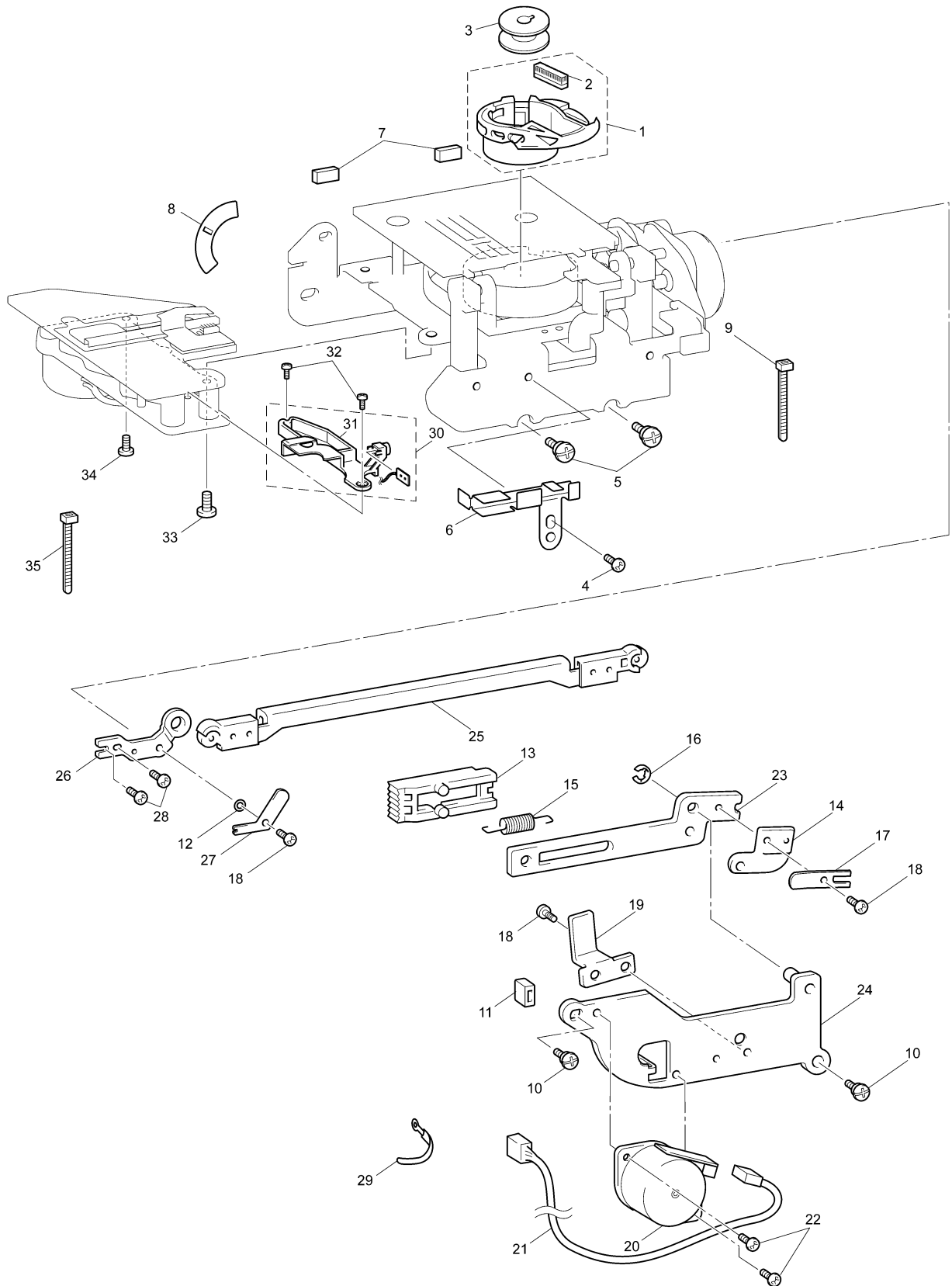
(2) UPPER SHAFT / NEEDLE BAR / PRESSER FOOT UNIT



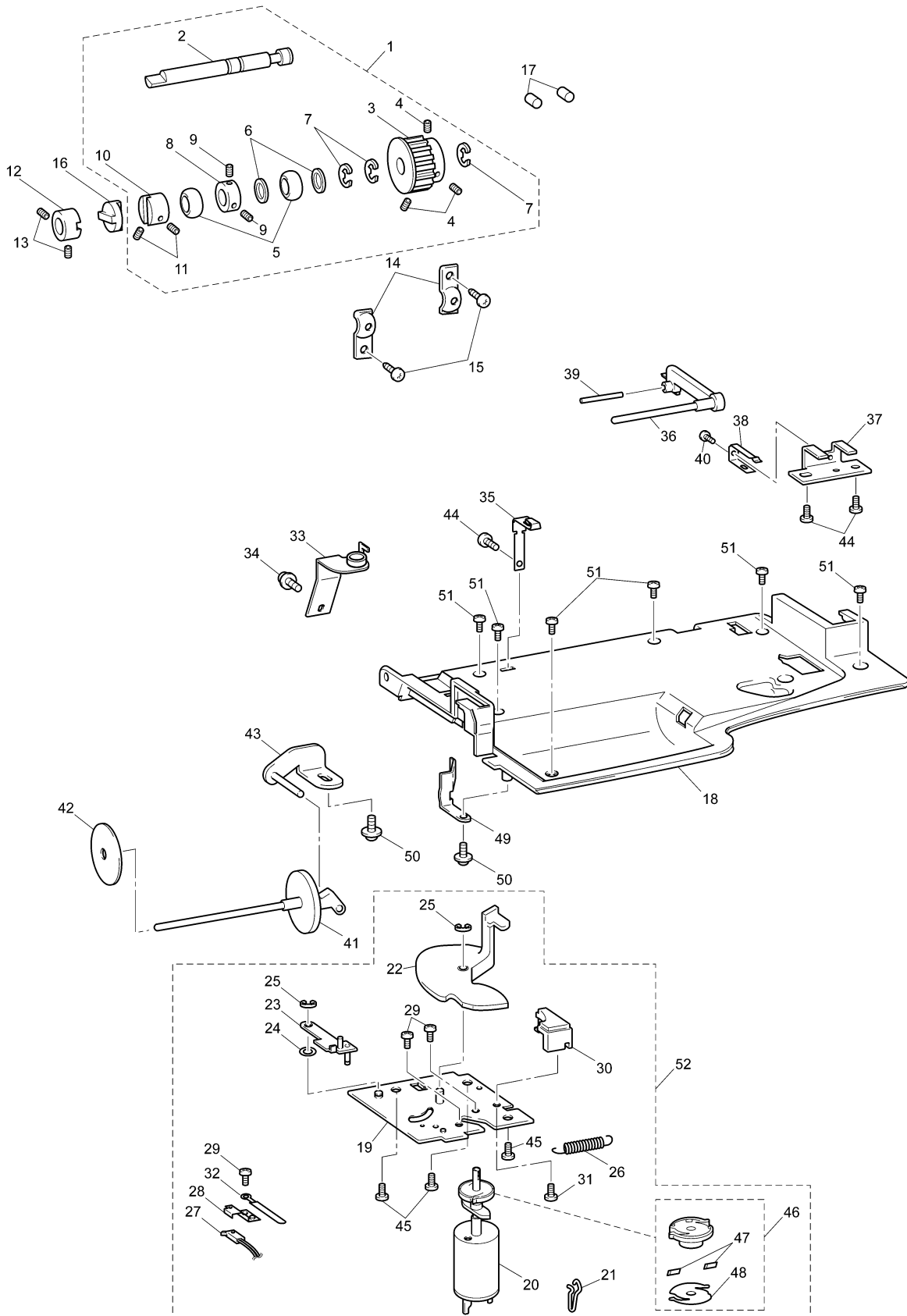
(2) UPPER SHAFT / NEEDLE BAR / PRESSER FOOT UNIT

No.	CODE	NAME	REMARKS	No.	CODE	NAME	REMARKS
UPPER SHAFT MECHANISM				NEEDLE BAR / PRESSER FOOT UNIT			
1	XC8679251	UPPER SHAFT SUPPLY ASSY	1000024936	22	XC2505050	PLATE SPRING	
2	048080343	RETAINING RING E8		23	060400516	SCREW BIND M4X5	
3	XC8317050	UPPER SHAFT PULLEY		24	XC2297051	PRESSER PLATE A	
4	021300205	NUT 2-M3	1000024936	25	XC2298051	PRESSER PLATE B	
5	014300632	SET SCREW SOCKET (CP) M3X6		26	XC2503051	SHAFT	
6	XC7775051	FIXED JOINT		27	XZ0380051	SCREW, PAN (WASHER) M3X18	
7	012500532	SET SCREW SOCKET (FT) M5X5		28	X57908052	TAPTITE, BIND S M4X10	
8	X52478051	BUSHING PRESSER		29	XC2504050	ADJUSTING SCREW	
9	X57908052	TAPTITE, BIND S M4X10		30	XE0620001	LED LAMP UNIT NEEDLE AREA D6L	1000026264
10	XC7776051	TIMING BELT 440-5GT-6		31	048050346	RETAINING RING E5	
11	XC2385051	TENSION PULLEY ASSEMBLY		32	XZ0149051	TAPTITE, PAN B 4X12	
12	0A5401005	SCREW PAN (S/P WASHER) M4X10					
13	XC8336051	UPPER SHAFT COVER					
14	060400616	SCREW BIND M4X6					
15	XC8219051	ASSY: NP PCB-D6					
16	136681051	TAPTITE, BIND B M3X8					
17	XC7777251	PCB HOLDER					
18	060400816	SCREW BIND M4X8					
19	014400432	SET SCREW SOCKET (CP) M4X4					
20	XC3183051	FELT					
21	XC7772051	PULLEY					

(3) FEED / SIDE FEED / THREAD CUTTING UNIT



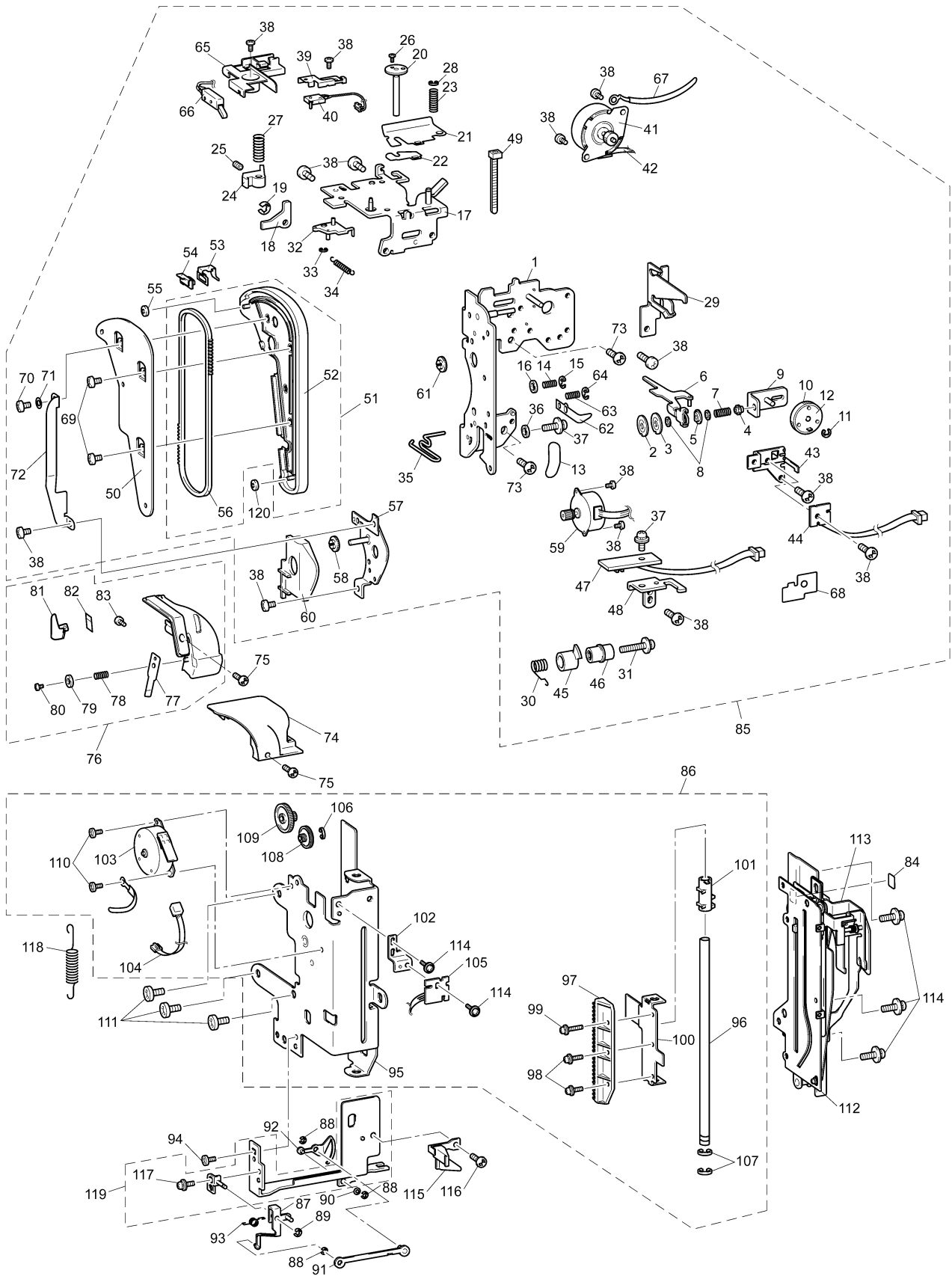
(4) LOWER SHAFT / BOBIN WINDING MECHANISM



(4) LOWER SHAFT / BOBIN WINDING MECHANISM

No.	CODE	NAME	REMARKS	No.	CODE	NAME	REMARKS
LOWER SHAFT MECHANISM				BOBIN WINDING MECHANISM			
1	XC7889051	LOWER SHAFT A ASSY		18	XC7696051	UPPER COVER	
2	XC7890051	LOWER SHAFT A		19	XC7894051	BOBBIN WINDER HOLDER ASSY	
3	XC2601051	TIMING PULLEY D		20	XC7898051	BW MOTOR ASSY	
4	014500532	SET SCREW SOCKET (CP) M5X5		21	125928050	BOBBIN WINDER SHAFT SPRING	
5	X52664050	LOWER SHAFT BUSHING		22	XC7902151	BOBBIN PRESSURE	
6	X51383050	WASHER, THRUST		23	XC7903051	BOBBIN PRESSURE GUIDE ASSY	
7	048060343	RETAINING RING E6		24	137999050	POLYESTER SLIDER	
8	137768151	SET SCREW COLLAR		25	048030346	RETAINING RING E3	
9	014400432	SET SCREW SOCKET (CP) M4X4		26	XA9545051	SPRING	
10	XC2602051	JOINT		27	XC8254051	ASSY: BWSW D6	
11	012500532	SET SCREW SOCKET (FT) M5X5		28	XC8194051	BW SWITCH HOLDER	
12	XC2602051	JOINT		29	XC6055051	SCREW, BIND M3X3	
13	012500532	SET SCREW SOCKET (FT) M5X5		30	XC8371051	BOBBIN PRESSER COVER	
14	132421051	BUSHING PRESSER		31	136681051	TAPTITE, BIND B M3X8	
15	X57908052	TAPTITE, BIND S M4X10		32	137947001	CLIP	
16	XC2603050	DISK		33	XC7905051	TENSION GUIDE ASSY	
17	XC3183051	FELT		34	0A4300806	SCREW PAN (S/P WASHER) M3X8	
				35	XC7907251	THREAD GUIDE PLATE	
				36	XC7908051	SUB SPOOL STAND PIN	
				37	XC7909051	SUB SPOOL PIN HOLDER	
				38	XC7910051	NOTCH PLATE	
				39	XA9371051	SHAFT	
				40	XC6055051	SCREW, BIND M3X3	
				41	XA1786053	SPOOL PIN	
				42	X55260153	SPOOL PRESSER C	
				43	XC7911051	SPOOL PIN HOLDER B ASSY	
				44	136681051	TAPTITE, BIND B M3X8	
				45	085411015	TAPTITE BIND B M4X10	
				46	XC7912051	BOBBIN BASE ASSY	
				47	X80321001	NT LOWER THREAD CUTTER	
				48	XC7914051	BOBBIN THREAD CUTTER HOLDER	
				49	XC8432051	THREAD GUARD PLATE	
				50	087310816	TAPTITE CUP B M3X8	
				51	060400616	SCREW BIND M4X6	
				52	XD0597051	BOBBIN WINDER SUPPLY ASSY	

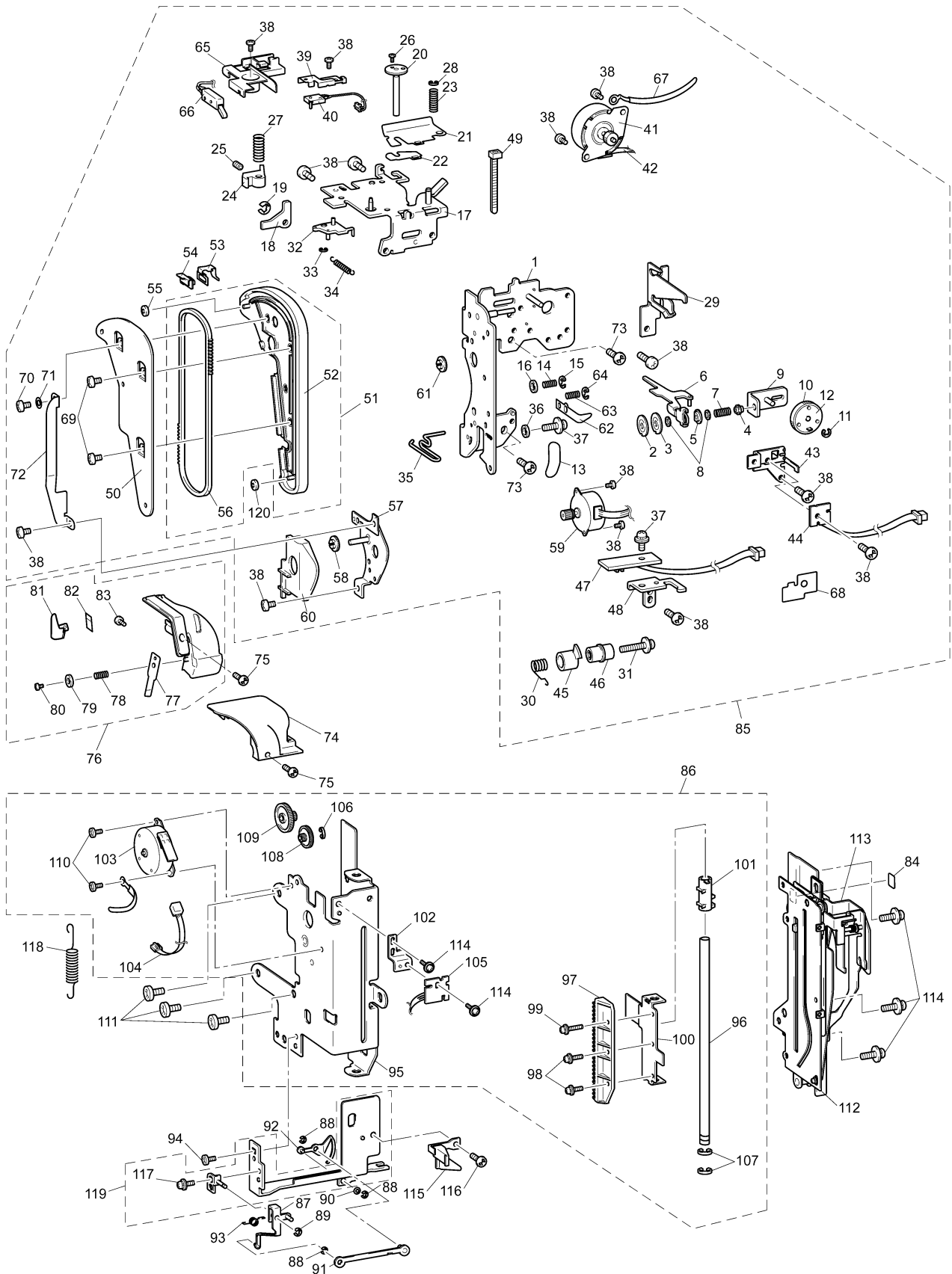
(5) NEEDLE THREADING / SHUTTLE THREADING MECHANISM



(5) NEEDLE THREADING / SHUTTLE THREADING MECHANISM

No.	CODE	NAME	REMARKS	No.	CODE	NAME	REMARKS
NEEDLE THREADING MECHANISM				44	XC8260051	ASSY: AT INIT PCB	
1	XC7917151	THREAD GUARD ASSEMBLY		45	X58316051	THREAD CUTTING SHUTTER	
2	XA0083151	TENSION DISC A		46	XA9585151	THREAD CATCHING SPRING CASE	
3	XC2626151	TENSION DISC B		47	XC8262051	ASSY: UPTHREAD PCB	
4	XC3437051	TENSION ADJUSTING SCREW		48	XC7934051	THREAD SENSOR HOLDER	
5	XA1388051	TENSION DISC WASHER		49	X53169050	BAND	
6	XC7920051	TENSION RELEASE PLATE ASSY		50	XC7941151	THREAD GUIDE BASE	1000027009
7	XA9900051	THREAD TENSIONS PRING		51	XE6222001	BELT GUIDE SUPPLY ASSY	
8	XD0573051	WASHER		52	XC7942251	BELT GUIDE	1000027009
9	XA9562051	TENSION PLATE ASSY		53	XC7943051	THREAD HOOK	
10	XC7922050	THREAD TENSION CAM		54	XC7944050	THREAD HOOK SLIDER	
11	048030346	RETAINING RING E3		55	XC7945050	ROLLER	1000027009
12	XC7923051	THREAD TENSION GEAR COVER		56	XE5685001	BELT GE TG 20S2M264	
13	XA9935050	SPRING TAPE		57	XC7949051	TGPM HOLDER SUB ASSY	
14	X57605051	SPRING		58	XC7952050	IDLE GEAR	
15	048020346	RETAINING RING E2		59	XC8267051	ASSY: TG PULSE MOTOR	
16	026030136	WASHER PLAIN S 3		60	XC7954050	TGPM COVER	
17	XC7925051	TENSION RELEASE HOLDER ASSY		61	XC7955050	DRIVING PULLEY	
18	XA9571051	TENSION RELEASER LINK		62	XC8572050	BRAKE PLATE	
19	048030346	RETAINING RING E3		63	X57605051	SPRING	
20	XC2638151	TENSION PRESSURE ASSY		64	048020346	RETAINING RING E2	
21	XC9115151	TENSION PLATE		65	XC7947050	INITIAL SW HOLDER	
22	XC7927151	SPACER		66	XC8265051	ASSY: TG SW D6	
23	XA9577051	SPRING		67	137947001	CLIP	
24	XC2640051	TENSION RELEASE CAM		68	XC9271051	INSULATION SHEET FOR TGPM	
25	012300432	SET SCREW SOCKET (FT) M3X4		69	060300516	SCREW BIND M3X5	
26	X57363051	POWER LOCK 2X3		70	060300616	SCREW BIND M3X6	
27	X57605051	SPRING		71	026030136	WASHER PLAIN S 3	
28	048020346	RETAINING RING E2		72	XD0707050	GUARD PLATE	
29	XC7928051	THREAD GUIDE		73	085411015	TAPTITE BIND B M4X10	
30	XZ0386151	THREAD TAKE UP SPRING		74	XC7936153	FRONT THREAD GUARD COVER	
31	0A4301806	SCREW, PAN (S/P WASHER) M3X18		75	0A5300606	SCREW, PAN (S/P WASHER) M3X6	
32	XC7929050	PRESSER SW LINK		76	XC8412151	THREAD GUIDE COVER A ASSY	
33	048030346	RETAINING RING E3		77	XC8414051	THREAD HOLD PLATE	
34	XC7930051	SPRING		78	XC8935051	SPRING, COMPRESSION	
35	XC7931050	THREAD GUIDE WIRE		79	XC8949051	WASHER 2.1X8	
36	XA9996051	WASHER, PLAIN		80	083210615	TAPTITE PAN B M2X6	
37	XC7564051	SCREW, PAN(S/P WASHER)M3X6		81	XC8411051	CUTTER HOLDER	
38	060300416	SCREW BIND M3X4		82	X80321001	NT LOWER THREAD CUTTER	
39	XC7932051	PRESSER SWITCH HOLDER		83	085310616	TAPTITE BIND B M3X6	
40	XC8256051	ASSY: PFSW D6		84	XC8574151	PILE	
41	XD0804051	ATPM INSULATION ASSY					
42	XC8259051	ASSY: ATPM LEAD WIRE		85	XD1019252	THREAD UNIT D6 SUPPLY ASSY	
43	XC7933051	ATPM SENSOR PLATE		86	XD1021252	THREAD DRIVE UNIT SUPPLY ASSY	

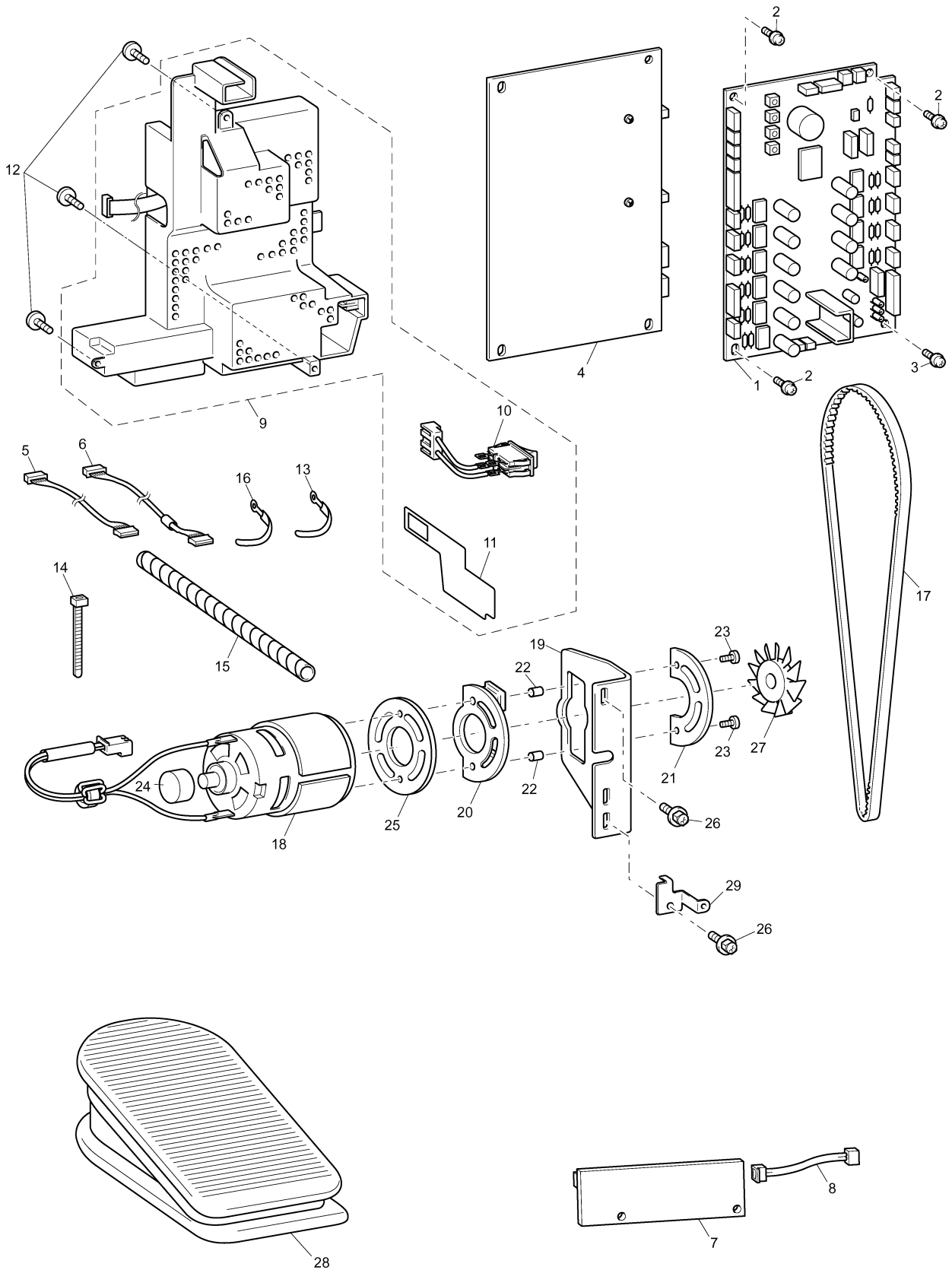
(5) NEEDLE THREADING / SHUTTLE THREADING MECHANISM



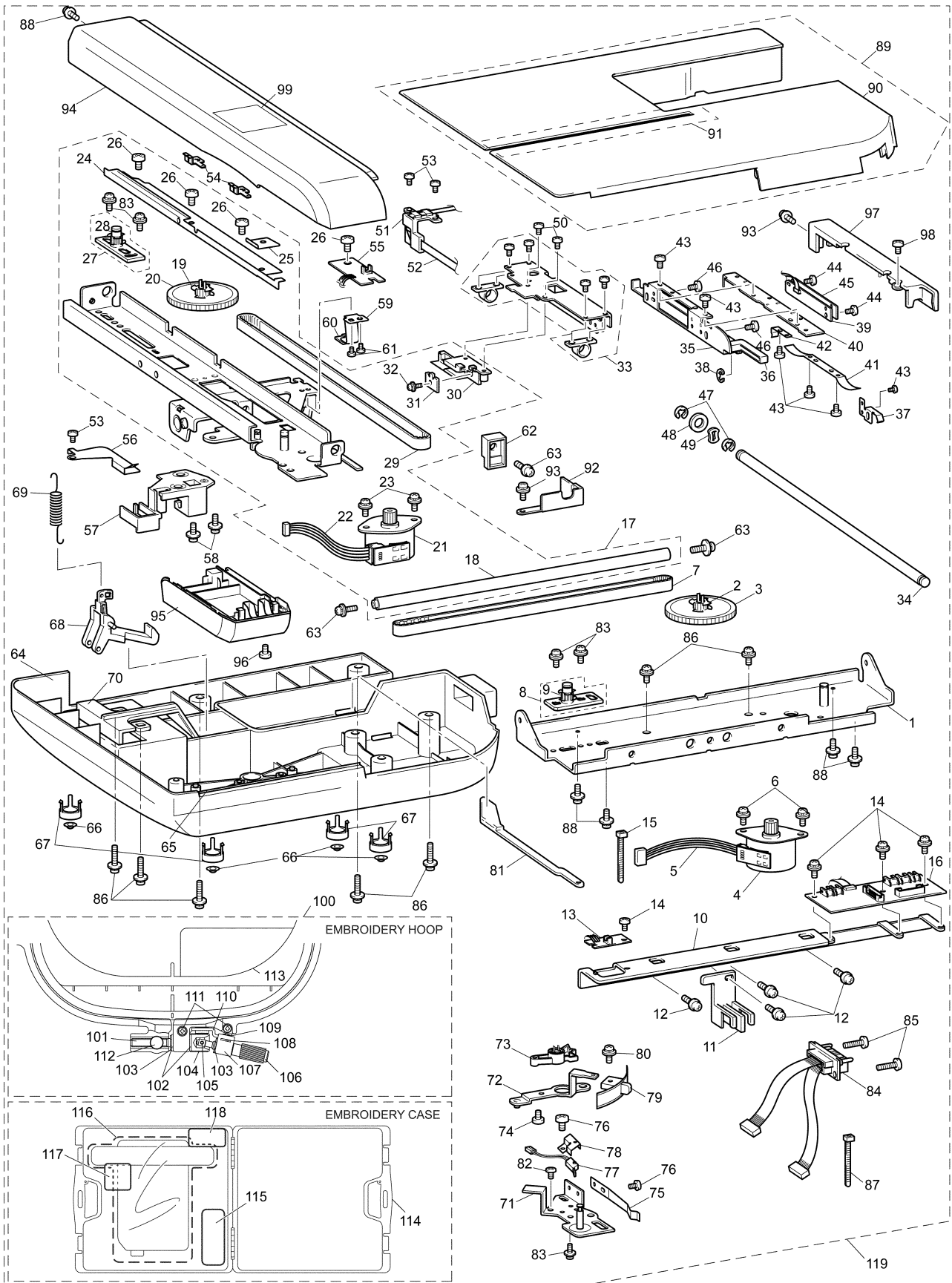
(5) NEEDLE THREADING / SHUTTLE THREADING MECHANISM

No.	CODE	NAME	REMARKS
CASSETTE / SHUTTLE THREADING			
87	XC7958051	LINK PLATE A ASSY	
88	048020346	RETAINING RING E2	
89	048030346	RETAINING RING E3	
90	XZ0399051	WASHER	
91	XC7962051	LINK PLATE B ASSY	
92	XC7964051	THREAD GUIDE PLATE ASSY	
93	XC7966051	SPRING	
94	060300616	SCREW BIND M3X6	
95	XC7972051	UNIT ASSY	
96	XC7976051	GUIDE SHAFT	
97	XE5629001	RACK D6	
98	0A1300806	SCREW PAN (P WASHER) M3X8	
99	0A1301206	SCREW PAN (P WASHER) M3X12	
100	XC7978151	SLIDER	
101	XC7979050	TRIGGER	
102	XC7980051	SENSOR HOLDER	
103	XC9289051	THPM INSULATION ASSY	
104	XC8268051	ASSY: THPM LEAD WIRE	
105	XC8269051	ASSY: ATTHD INIT PCB	
106	048025346	RETAINING RING E2.5	
107	048030346	RETAINING RING E3	
108	XC7982050	IDLE GEAR A	
109	XE5630001	DRIVE GEAR A D6	
110	060300416	SCREW BIND M3X4	
111	085411015	TAPTITE BIND B M4X10	
112	XC9250251	THREAD GUIDE BASE SUPPLY ASSY	
113	XC7940151	THREAD GUIDE COVER B	
114	XC7644051	SCREW, PAN (S/P WASHER) M3X5	1000026254
115	XC8609251	PILE HOLDER ASSY	
116	008300404	SCREW TRUSS M3X4	
117	0A4300605	SCREW, PAN (S/P WASHER) M3X6	
118	X52005151	SPRING	
119	XD1573151	THREAD GUIDE BASE SUPPLY ASSY	
120	XF1458001	ROLLER U	1000027009

(6) ELECTRIC PARTS / MAIN MOTOR UNIT



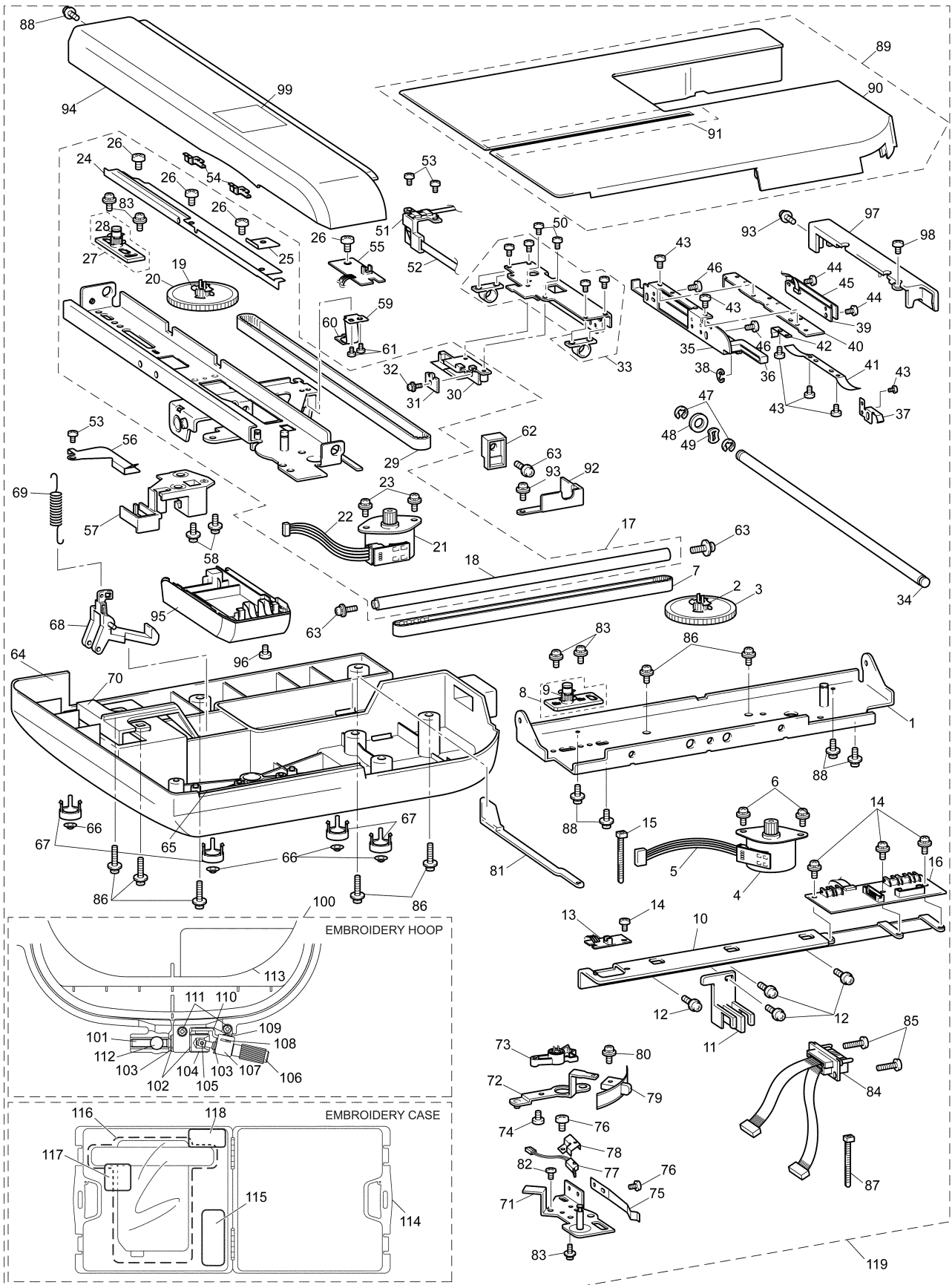
(7) EMBROIDERY UNIT



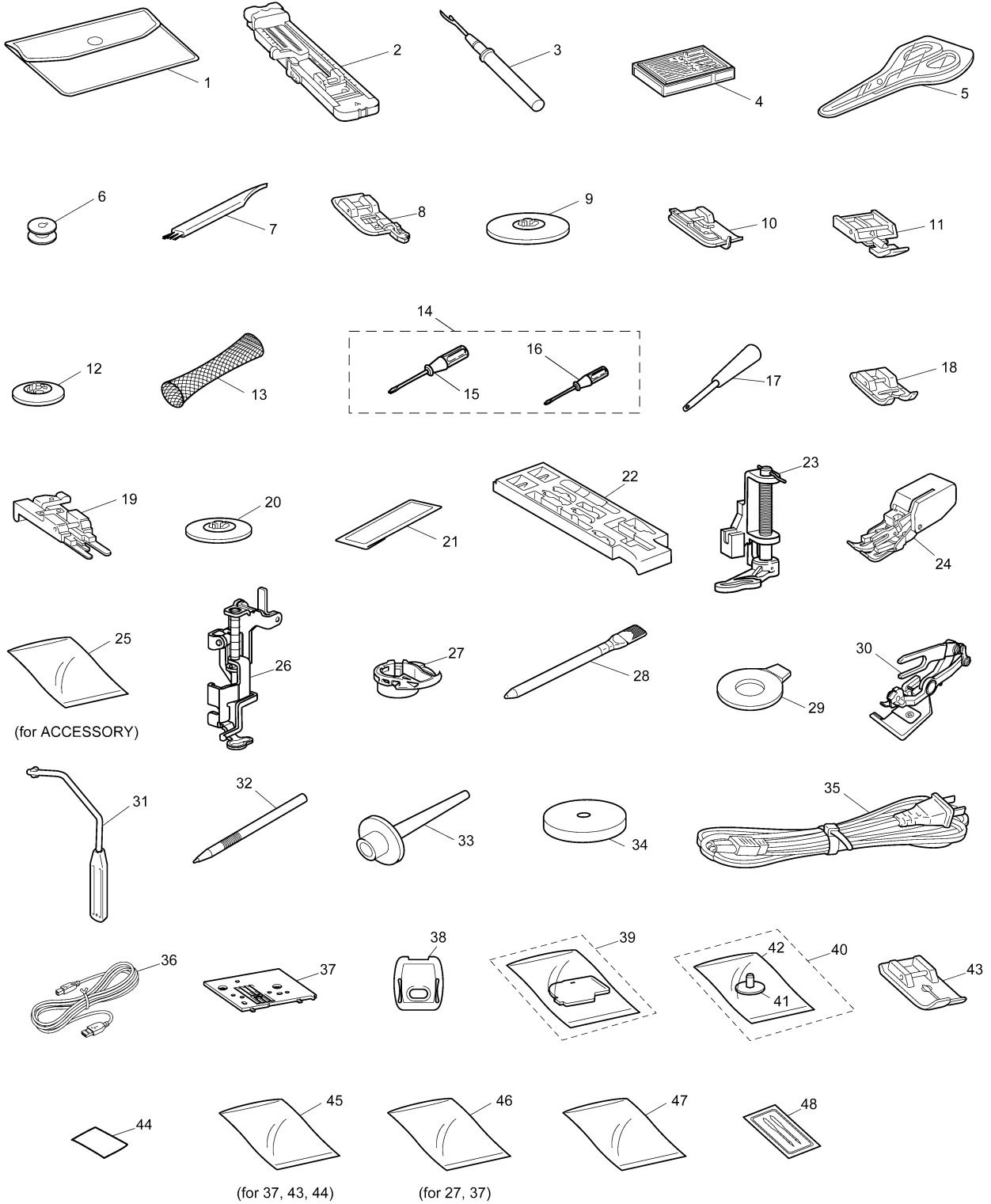
(7) EMBROIDERY UNIT

No.	CODE	NAME	REMARKS	No.	CODE	NAME	REMARKS
1	XC8035051	MAIN FRAME SUB ASSY		45	XC8859051	INSULATOR SHEET	
2	XC8038050	DRIVING PULLEY		46	060400616	SCREW BIND M4X6	
3	XC8039050	DRIVING GEAR		47	XC8080051	STOP RING 10.69	
4	XC8298051	ASSY: XY PULSE MOTOR		48	XC8081051	WASHER	
5	XC8299051	ASSY: XPM LEAD WIRE		49	XC8082050	WASHER, SPRING 12	
6	XA8390051	SCREW		50	085301017	TAPTITE BIND P M3X10	
7	XC8041051	TIMING BELT 40S2M530		51	XC8084050	FFC SUPPORT	
8	XC8042051	TENSION PULLEY ASSY		52	XC8310051	FLEXIBLE FLAT CABLE: SML2CD-6	
9	XC8045050	TENSION PULLEY		53	060300616	SCREW BIND M3X6	
10	XC8046051	X GUIDE PLATE		54	XC8085050	CORD CLIP	
11	XC8047050	E CODE SUPPORTER		55	XC8311051	ASSY: Y SENSOR PCB	
12	XC7566051	SCREW, PAN (S/P WASHER) M4X8		56	XC8086050	CODE GRIP	
13	XC8300051	ASSY: X SENSOR PCB		57	XC8087051	X SLIDER	
14	060300616	SCREW BIND M3X6		58	XC7566051	SCREW, PAN (S/P WASHER) M4X8	
15	X53169050	BAND		59	XC8898051	X GUIDE SHAFT PRESSER PLATE	
16	XC8303051	ASSY: EMB RELAY PCB		60	XC8899050	X GUIDE SHAFT PRESSER	
17	XC8049051	X CARRIAGE UNIT		61	060300416	SCREW BIND M3X4	
18	XC8050051	X GUIDE SHAFT		62	XC8088051	X BELT PRESSER	
19	XC8038050	DRIVING PULLEY		63	XC7566051	SCREW, PAN (S/P WASHER) M4X8	
20	XC8039050	DRIVING GEAR		64	XC7697051	ES BASE COVER	
21	XC8298051	ASSY: XY PULSE MOTOR		65	XC8093051	GROOVE COVER	
22	XC8306051	ASSY: YPM LEAD WIRE		66	X59853050	RUBBER CUSHION	
23	XA8390051	SCREW		67	XC8094051	RUBBER CUSHION COVER	
24	XC8058050	FFC CODE GUIDE		68	XC8095051	LOCK FINGER	
25	XC8586050	FFC CODE SUPPORTER		69	XC8096051	SPRING	
26	060300616	SCREW BIND M3X6		70	XC8097051	LOCK RELEASE LEVER	
27	XC8042051	TENSION PULLEY ASSY		71	XC8099051	DROP LEVER SUPPORT ASSY	
28	XC8045050	TENSION PULLEY		72	XC8102051	DROP LEVER CALKING ASSY	
29	XC8059051	TIMING BELT 40S2M740		73	XC8105050	NOTCHED CAM	
30	XC8061051	Y SLIDER		74	085301017	TAPTITE BIND P M3X10	
31	XC8062051	YT BELT PRESSER PLATE		75	XC8107051	DROP NOTCHED PLATE	
32	XC7566051	SCREW, PAN (S/P WASHER) M4X8		76	060300616	SCREW BIND M3X6	
33	XC8065151	Y CARRIAGE ASSY		77	XC8313051	ASSY DROP SW	
34	XC8068051	Y GUIDE SHAFT		78	XC8108051	DROP SW HOLDER	
35	XC8070151	E HOOP STAY PLATE SUB ASSY		79	XC8106051	DROP KNOB	
36	XC8074051	E HOOP LOCK LEVER		80	XA8390051	SCREW	
37	XC8075051	E HOOP LOCK LEVER SPRING		81	XC8109051	DROP CONNECTION ROD	
38	048040346	RETAINING RING E4		82	085301017	TAPTITE BIND P M3X10	
39	XC8307051	ASSY: FRAME PCB		83	XC7566051	SCREW, PAN (S/P WASHER) M4X8	
40	XC8076051	E HOOP PRESSURE PLATE		84	XC8315051	ASSY, EMB UNIT LEAD WIRE	
41	XC8077051	E HOOP PRESSURE SPRING A		85	085301616	TAPTITE BIND P M3X16	
42	XC8079051	E HOOP PRESSURE SPRING C		86	087411416	TAPTITE CUP B M4X14	
43	060300416	SCREW BIND M3X4		87	X53169050	BAND	
44	XA8390051	SCREW		88	XC7566051	SCREW, PAN (S/P WASHER) M4X8	

(7) EMBROIDERY UNIT



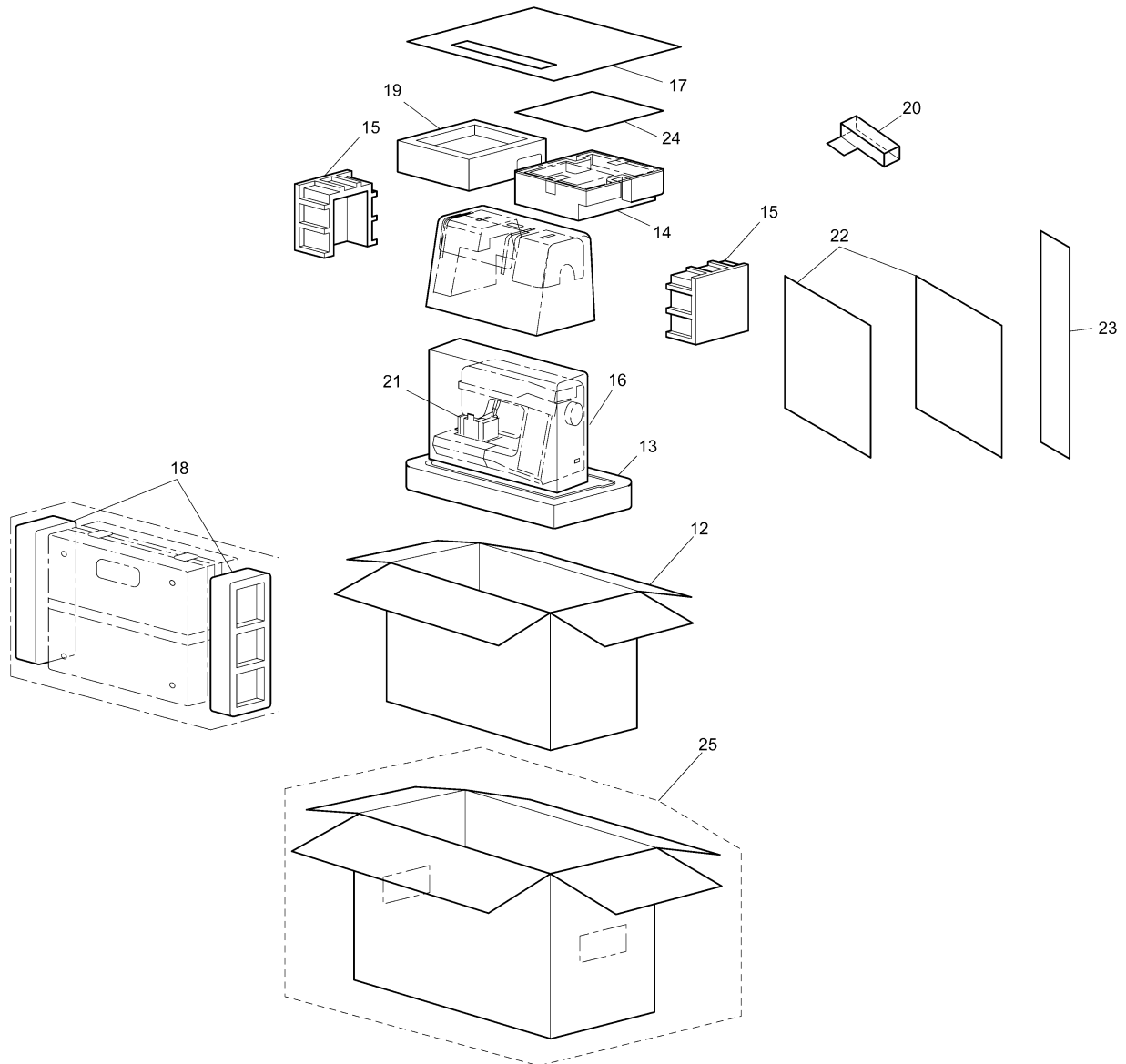
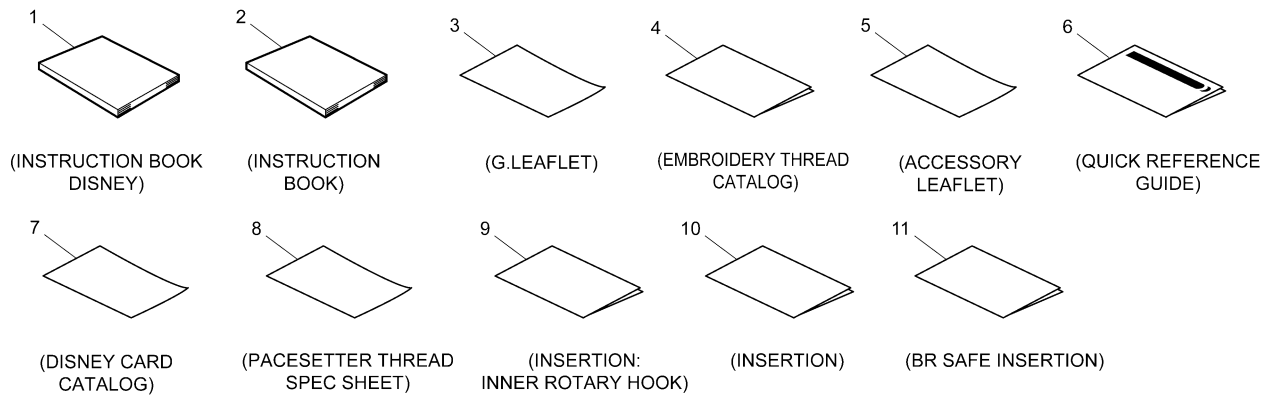
(8) ACCESSORY PARTS



(8) ACCESSORY PARTS

No.	CODE	NAME	REMARKS	No.	CODE	NAME	REMARKS
1	XC4487021	ACCESSORY BAG		43	XD0826051	STRAIGHT STITCH FOOT	
2	X57789151	BH PRESSER FOOT		44	XD0795151	ST FOOT INSERTION	
3	X54243051	SEAM RIPPER		45	X60687150	BAG, 95X135	
4	X58358051	Z NEEDLE ASSY		46	XC6909050	PE BAG 90X100	
5	XC1807121	SCISSORS		47	XZ0126051	BAG 140X150C	
6	X52800150	BOBBIN		48	XD0705051	NEEDLE SET EMB	
7	X59476051	CLEANING BRUSH					
8	XC3098051	OVERCASTING STITCH FOOT ASSY					
9	130012054	SPOOL PRESSER A					
10	X56409051	BLIND STITCH FOOT ASSY					
11	X59370051	ZIPPER FOOT					
12	130013154	SPOOL PRESSER B					
13	XA5523050	NET					
14	XE0243001	SCREW DRIVER ASSY					
15	XC8349021	SCREW DRIVER					
16	X55468021	SCREW DRIVER S					
17	XZ5051001	PUNCH	1000027122				
18	X53840351	TRANSPARENCY PRESSER FOOT					
19	130489001	BUTTONING FOOT					
20	X55260153	SPOOL PRESSER C					
21	X59296151	TWIN NEEDLE (1PC)					
22	XC7701051	ACCESSORY TRAY					
23	XE8786101	QUILTING FOOT	1000025739				
24	X59816103	WALKING FOOT ASSEMBLY					
25	XA0188050	BAG 260X375HC					
26	XC8156651	W PRESSER UNIT					
27	XC8167551	INNER ROTARY HOOK ASSY					
28	XE8568001	CHALK PEN					
29	XC1074051	DISC-SHAPED SCREWDRIVER					
30	XC3198101	SIDE CUTTER ASSY					
31	XA6941052	KNEE LIFTER LEVER ASSY					
32	XA9940051	TOUCH PEN					
33	XC8619051	EXTRA SPOOL PIN					
34	X57045051	SPOOL FELT					
35	XD0225051	POWER SUPPLY CORD: TWN (TWN)					
	XF0749001	POWER SUPPLY CORD: BRZ (BRA)	1000025696				
	XA0070151	POWER SUPPLY CORD (CHL)					
36	XD0745051	USB I/F CORE CABLE					
37	XC8362151	STRAIGHT NEEDLE PLATE A ASSY					
38	XD1644051	NEEDLE PLATE COVER SUPPLY ASSY					
39	XE8991001	CORD GUIDE COVER SUPPLY ASSY					
40	XC8661251	BOBBIN GUIDE SET (BRA, TWN)					
41	XD0835051	BOBBIN GUIDE ASSY (BRA, TWN)					
42	X60838051	BAG, 70X110C (BRA, TWN)					

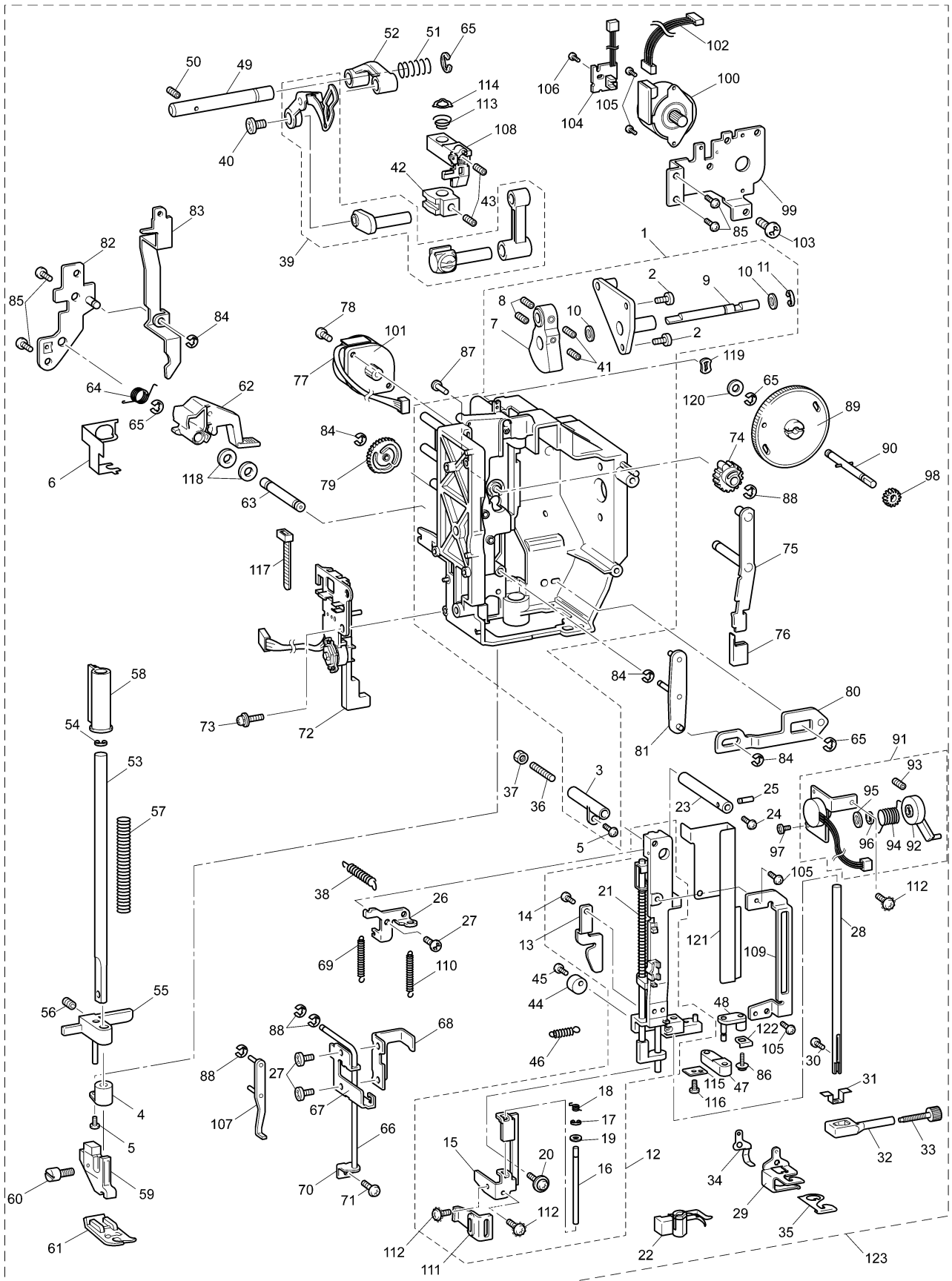
(9) USER MANUAL / OTHER PARTS / PACKAGE



(9) USER MANUAL / OTHER PARTS / PACKAGE

No.	CODE	NAME	REMARKS
USER MANUAL / OTHER PARTS			
1	XC8171151	INSTRUCTION BOOK DISNEY	
2	XC8696051	INSTRUCTION BOOK SPA (Spanish)	
	XD0784151	INSTRUCTION BOOK ENG (English)	
	XD0790051	INSTRUCTION BOOK CHN (Chinese)	
	XE4532001	INSTRUCTION BOOK BR (Portuguese)	
3	XE3822001	G.LEAFLET NO.1-78	
4	XD0576051	EMBROIDERY THREAD CATALOG	
5	XE6297001	ACCESSORY LEAFLET 4	
6	XC8173051	QUICK REFERENCE GUIDE	
7	XE3823001	DISNEY CARD CATALOG NO.1-24 (CHL, BRA)	
8	XC9125051	PACESETTER THREAD SPEC SHEET (CHL, BRA)	
9	XE8541001	INSERTION (for INNER ROTARY HOOK & INNER ROTARY HOOK BRACKET)	
10	XE3485001	INSERTION	
	XE2761001	INSERTION (TWN)	
11	XF0726001	BR SAFE INSERTION (BRA)	1000025726
PACKAGE			
12	XC8175050	CARTON	
13	XD1466250	BODY SUPPORT POLYSTYRENE	
14	XD1845050	OVER CARTON POLYSTYRENE	
15	XD1805050	POLYSTYRENE FOAM PAD ASSY,CASE	
16	XC8535051	BAG 800X600T	
17	XC8186050	PAD D	
18	XC9671350	POLYSTYRENE FOAM PAD, ES	
19	XC9562250	OVER CARTON POLYSTYRENE B	
20	XC8617050	CORD PAD D	
21	XC9195250	SHUTTLE SUPPORT POLYSTYRENE	
22	XZ0400150	SIDE PAD D	
23	XZ0402050	SHEET, 150X530	
24	XZ0393050	PAD D MIDDLE	
25	XE0797001	CARTON SUPPLY ASSY	

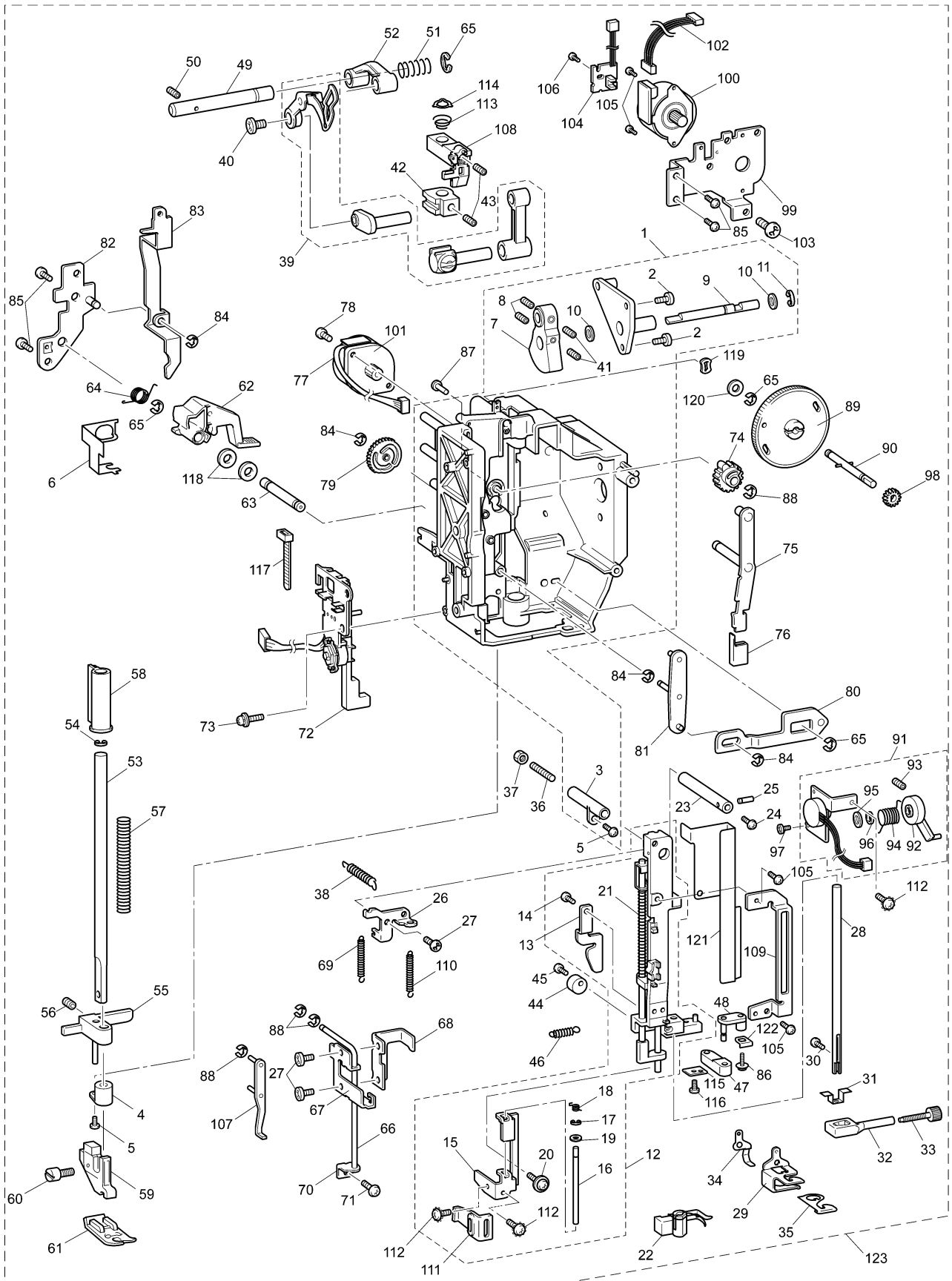
NEEDLE-PRESSER MODULE



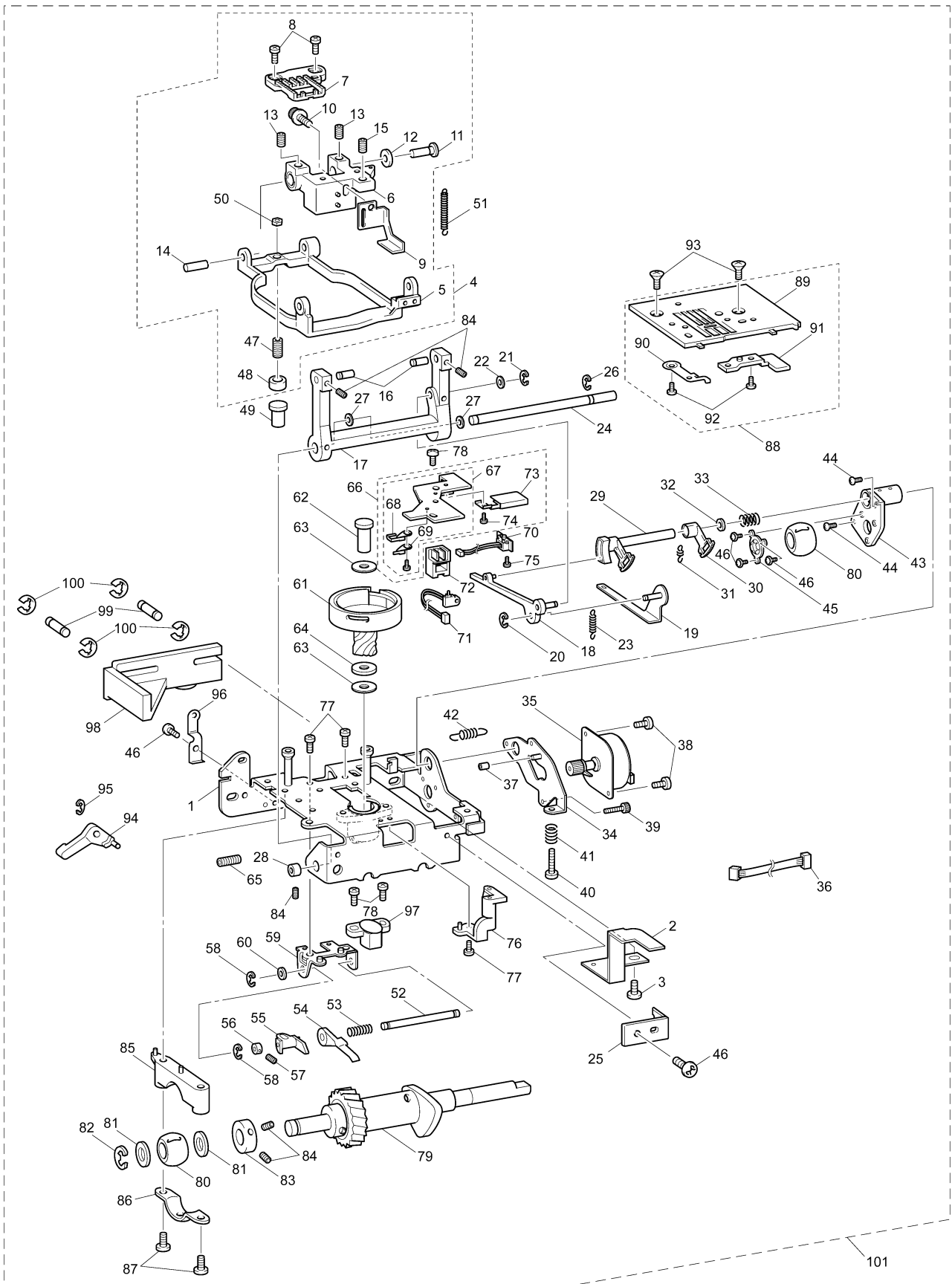
NEEDLE-PRESSER MODULE

No.	CODE	NAME	REMARKS	No.	CODE	NAME	REMARKS
1	XC8275051	UPPER SHAFT HOLDER ASSY		45	018301032	BOLT SOCKET M3X10	
2	XC7568051	SCREW, PAN(S/P WASHER)M4X14		46	XC2748021	SPRING-Z	
3	XC2398020	SHAFT BUSHING A		47	XC7802051	NEEDLE HOLDER BROCK	
4	XC2399021	PRESSER BAR BUSHING		48	XC7803151	H SHAFT HOLDER ASSY	
5	136681051	TAPTITE, BIND B M3X8		49	XC8374051	SHAFT	
6	XC5362050	PLATE SPRING		50	014300532	SET SCREW SOCKET (CP) M3X5	
7	XC7784051	THREAD TAKE-UP COUNTER WEIGHT		51	XC2441021	SPRING	
8	012500532	SET SCREW SOCKET (FT) M5X5		52	XC2443020	THREAD TAKE-UP LEVER LINK	
9	XC7785051	UNIT SHAFT		53	XC7806051	PRESSER BAR	
10	131976050	WASHER, THRUST		54	048050346	RETAINING RING E5	
11	048080343	RETAINING RING E8		55	XC7807051	PRESSER BAR CLAMP ASSY	
12	XC7786051	NEEDLE BAR SUPPORTER ASSY		56	014501032	SET SCREW SOCKET (CP) M5X10	
13	XC7793051	HOOK RELEASE PLATE		57	XC7810051	SPRING	
14	060260516	SCREW BIND M2.6X5		58	XC7811050	PRESSER FOOT RACK	
15	XC3446051	RELEASE LEVER		59	XC3015051	PRESSER FEED HOLDER ASSY	
16	XC3447051	RELEASE LEVER SHAFT		60	XA4813051	SCREW	
17	048025346	RETAINING RING E2.5		61	XC3021051	Z FOOT	
18	XC3448051	RELEASE LEVER SPRING		62	XC7812051	PRESSER FOOT LIFTER	
19	137977051	POLYESTER SLIDER		63	XC2452051	PRESSER LIFT SHAFT	
20	0A2300606	SCREW PAN (P WASHER) M3X6		64	XC7813051	SPRING	
21	XC8485051	SPRING		65	048040346	RETAINING RING E4	
22	XC7794051	HOOK ASSY		66	XC2453051	LEVER GUIDE SHAFT	
23	XC2419021	SHAFT		67	XC7814051	LEVER AB	
24	000020416	SCREW BIND M2X4		68	XC7815051	NEEDLE THREADER DRIVING PLATE	
25	XC2420050	SHAFT		69	XC7816051	SPRING	
26	XD1488051	PLATE		70	XC7817051	LEVER SUPPORTER PLATE	
27	060300516	SCREW BIND M3X5		71	136681051	TAPTITE, BIND B M3X8	
28	XC7799151	NEEDLE BAR		72	XC7787051	BH SWITCH ASSY	
29	XC8654051	NEEDLE BAR THREAD GUIDE		73	XZ0149051	TAPTITE, PAN B 4X12	
30	X53053052	SCREW SM2.38		74	XC7818150	Z ZIGZAG CAM	
31	XC2426020	NEEDLE THREAD PLATE		75	XC7819051	Z ZIGZAG LEVER ASSY	
32	XC3554051	NEEDLE BLOCK		76	XC2480020	Z LEVER CUP	
33	XZ0388251	NEEDLE CLAMP SCREW		77	XC8225051	ASSY: ZPM LEAD WIRE	
34	XC4162021	NEEDLE BLOCK SUPPORTER		78	X59629051	TAPTITE, BIND B M3X10	
35	XC8655051	SUPPORT SPRING		79	XC2483020	T CAM	
36	014401232	SET SCREW SOCKET (CP) M4X12		80	XC7822051	TENSION RELEASE ROD ASSY	
37	X56851051	LOCK NUT		81	XC5985051	THREAD RELEASE LEVER ASSY D6	
38	XC2429021	SPRING		82	XC7824051	ADJUSTING PLATE ASSY	
39	XF1087001	NEEDLE BAR CRANK R SUPPLY ASSY	1000026506	83	XC7826051	TENSION RELEASE PLATE C	
40	132051052	SCREW, FLAT SM3.57-40X7 L		84	048030346	RETAINING RING E3	
41	012500532	SET SCREW SOCKET (FT) M5X5		85	085411015	TAPTITE BIND B M4X10	
42	XC2434021	NEEDLE THREAD BLOCK		86	XC3037051	SCREW3X10	
43	012400432	SET SCREW SOCKET (FT) M4X4		87	XC2475051	SHAFT	
44	XC2435050	ZIGZAG ADJUSTING NUT		88	048020346	RETAINING RING E2	

NEEDLE-PRESSER MODULE



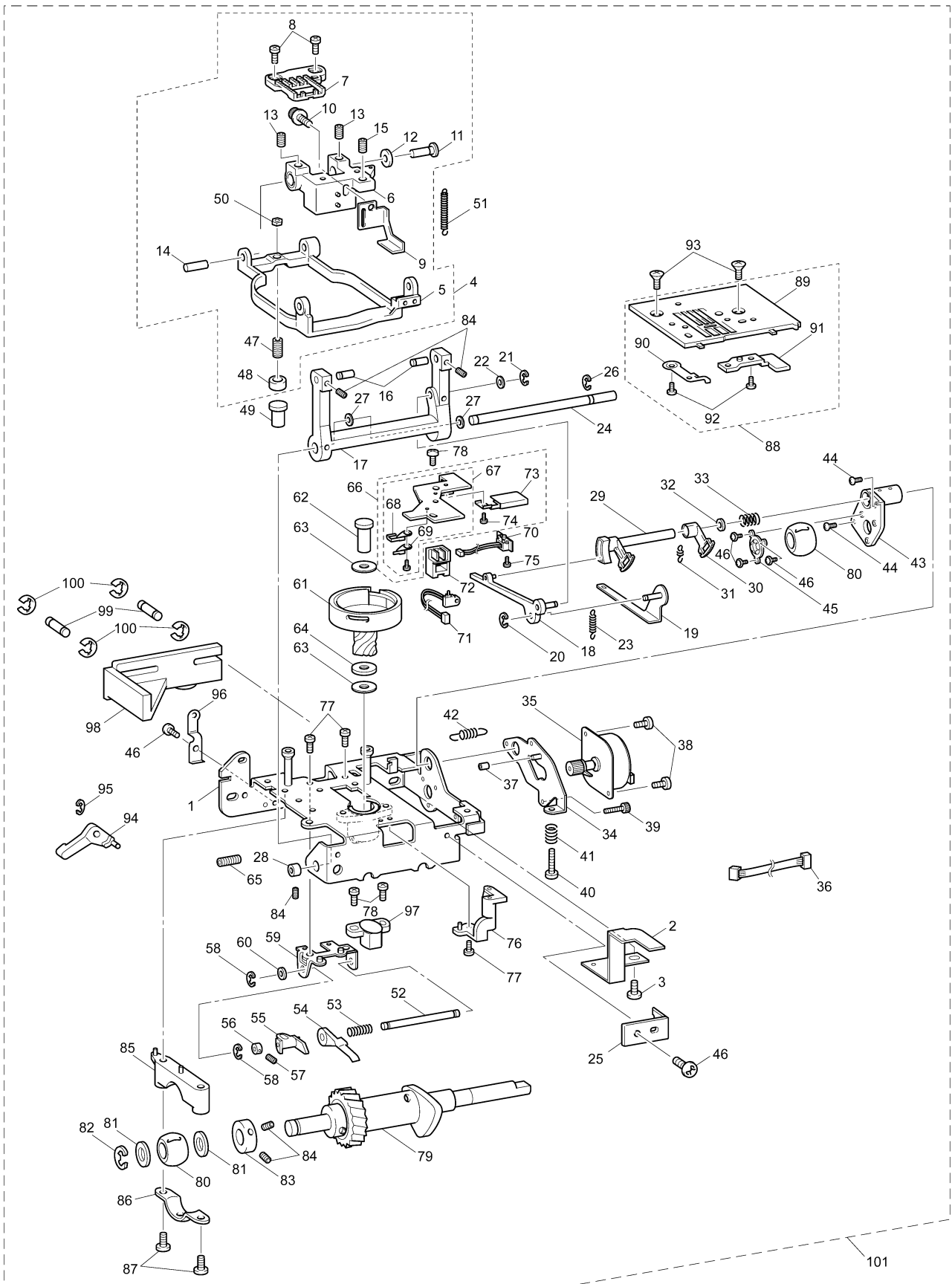
FEED MODULE



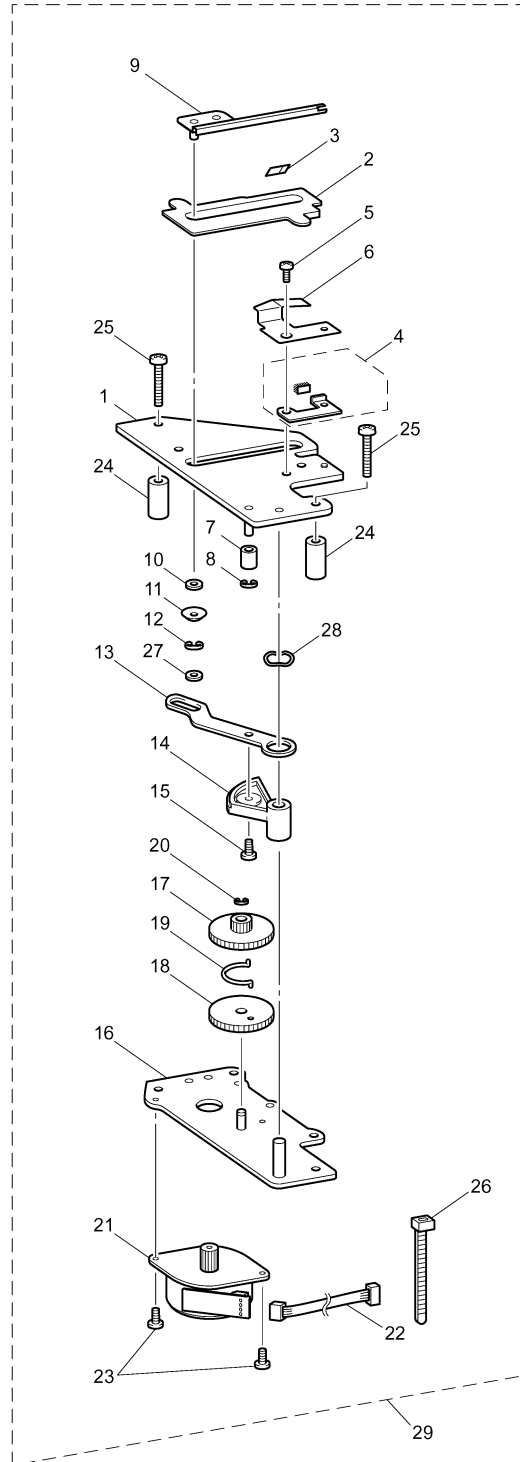
FEED MODULE

No.	CODE	NAME	REMARKS	No.	CODE	NAME	REMARKS
1	XC7638151	BASE PLATE		45	XC2542021	BUSHING PRESSER B	
2	XC7837051	F GEAR STOPPER PLATE		46	060300516	SCREW BIND M3X5	
3	060400416	SCREW, BIND M4X4		47	012401032	SET SCREW SOCKET (FT) M4X10	
4	XC7841151	FEED BAR ASSY		48	XC7853250	CAP	
5	XC7842151	FEED BAR		49	XC7854051	VERTICAL ROD	
6	XC8530051	FEED DOG BASE ASSY		50	X56851051	LOCK NUT	
7	XC7846351	FEED DOG		51	XZ0385051	SPRING	
8	060300616	SCREW BIND M3X6		52	XC8361051	VERTICAL FEED SHAFT	
9	XC7847051	FEED DOG CORRECTION PLATE		53	XC7856051	SPRING	
10	XC3338051	SCREW3X8		54	XC7857050	FEED DOG CORRECTION LEVER	
11	XC7848051	FEED DOG BASE SHAFT A		55	XC7858250	VERTICAL LEVER	
12	137999050	POLYESTER SLIDER		56	XC2552051	SET SCREW COLLAR	
13	014400432	SET SCREW SOCKET (CP) M4X4		57	014400432	SET SCREW SOCKET (CP) M4X4	
14	XC7849051	FEED DOG BASE SHAFT B		58	048030346	RETAINING RING E3	
15	012400432	SET SCREW SOCKET (FT) M4X4		59	XC7859051	VERTICAL SUPPORTING PLATE	
16	XC2512051	FEED BAR SHAFT A		60	137713050	POLYESTER SLIDER	
17	XC8337021	FEED ARM A		61	XC2210051	OUTER ROTARY HOOK ASSY	
18	XC2517021	FEED ARM B ASSY		62	XC2230051	OUTER ROTARY HOOK SHAFT	
19	XC2521021	FEED SUPPORTING PLATE ASSY		63	137805052	SPACER	
20	048020346	RETAINING RING E2		64	137976051	WASHER 6	
21	048030346	RETAINING RING E3		65	014400632	SET SCREW SOCKET (CP) M4X6	
22	137999050	POLYESTER SLIDER		66	XC9987151	I R HOOK BRACKET SUPPLY ASSY	
23	XC9277051	SPRING		67	XC8406351	INNER ROTARY HOOK BRACKET ASSY	
24	XC7835051	HORIZONTAL FEED SHAFT		68	XE3331001	SPRING PLATE	
25	XC8195051	SHAFT STOPPER PLATE		69	XC2558050	SPRING ASSIST PLATE	
26	048050346	RETAINING RING E5		70	XC8350051	PHOTO DIODE HOLDER ASSY	
27	X50546050	WASHER, THRUST		71	XC8240051	ASSY: PLTSW D6	
28	130676151	SET SCREW COLLAR		72	XC7865150	NEEDLE PLATE SW HOLDER	
29	XC2527121	FEED ADJUSTER		73	XC7866351	CORD HOLDER	
30	XC2529020	F GEAR		74	060260316	SCREW BIND M2.6X3	
31	XC2530021	SPRING		75	000020416	SCREW BIND M2X4	
32	137713050	POLYESTER SLIDER		76	XE5384001	STOPPER PLATE BLOCK ASSY	
33	XC2531021	SPRING		77	060400516	SCREW BIND M4X5	
34	XZ0397051	FPM HOLDER ASSY		78	060300816	SCREW BIND M3X8	
35	XC9759051	FPM INSULATION ASSY		79	XC7867051	LOWER SHAFT B ASSY	
36	XC8236051	ASSY: FPM LEAD WIRE		80	X52664050	LOWER SHAFT BUSHING	
37	XC2587050	RUBBER		81	X51383050	WASHER, THRUST	
38	060300516	SCREW BIND M3X5		82	048060346	RETAINING RING E6	
39	XC3338051	SCREW3X8		83	137768151	SET SCREW COLLAR	
40	018402532	BOLT SOCKET M4X25		84	014400432	SET SCREW SOCKET (CP) M4X4	
41	XC2537021	SPRING		85	XC2566021	BUSHING SUPPORTER A	
42	XC2538021	SPRING		86	XC2567021	BUSHING PRESSER A	
43	XC2539021	BUSHING SUPPORTER ASSY		87	060401616	SCREW BIND M4X16	
44	060400616	SCREW BIND M4X6		88	XC7871251	NEEDLE PLATE A ASSY	

FEED MODULE



THREAD CUTTER MODULE



brother®

14H04HF882S90