

brother®

Home Sewing Machine

PARTS REFERENCE LIST

**MODEL: NX450/NX450Q/NV400/NV400SE
NV350SE**

MECHANISMS & ELECTRONICS

CONTENTS

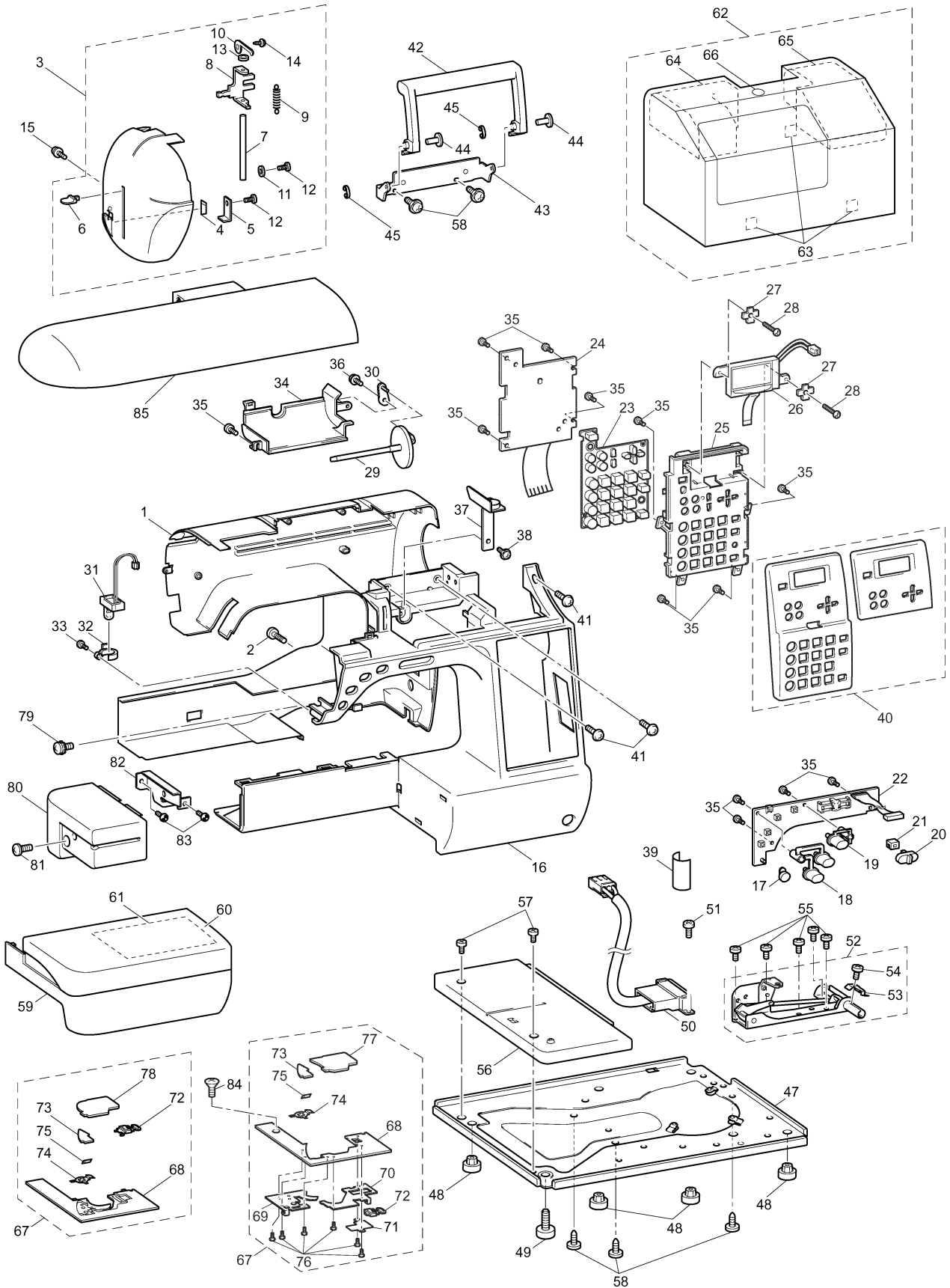
(1) PRINCIPAL PARTS.....	2
(2) UPPER SHAFT / NEEDLE BAR, PRESSER MECHANISM	6
(3) FEED, ROTARY HOOK / THREAD CUTTING MECHANISM	8
(4) ROTARY HOOK DRIVE / BOBBIN WINDER MECHANISM	10
(5) THREAD GUIDE MECHANISM.....	12
(6) ELECTRONIC PARTS / MOTOR UNIT	14
(7) ATTACHMENTS / PRINTED MATTER / PACKING MATERIALS	16
NEEDLE-PRESSER MODULE.....	20
FEED MODULE	24
THREAD CUTTER MODULE	26
Service Information	28

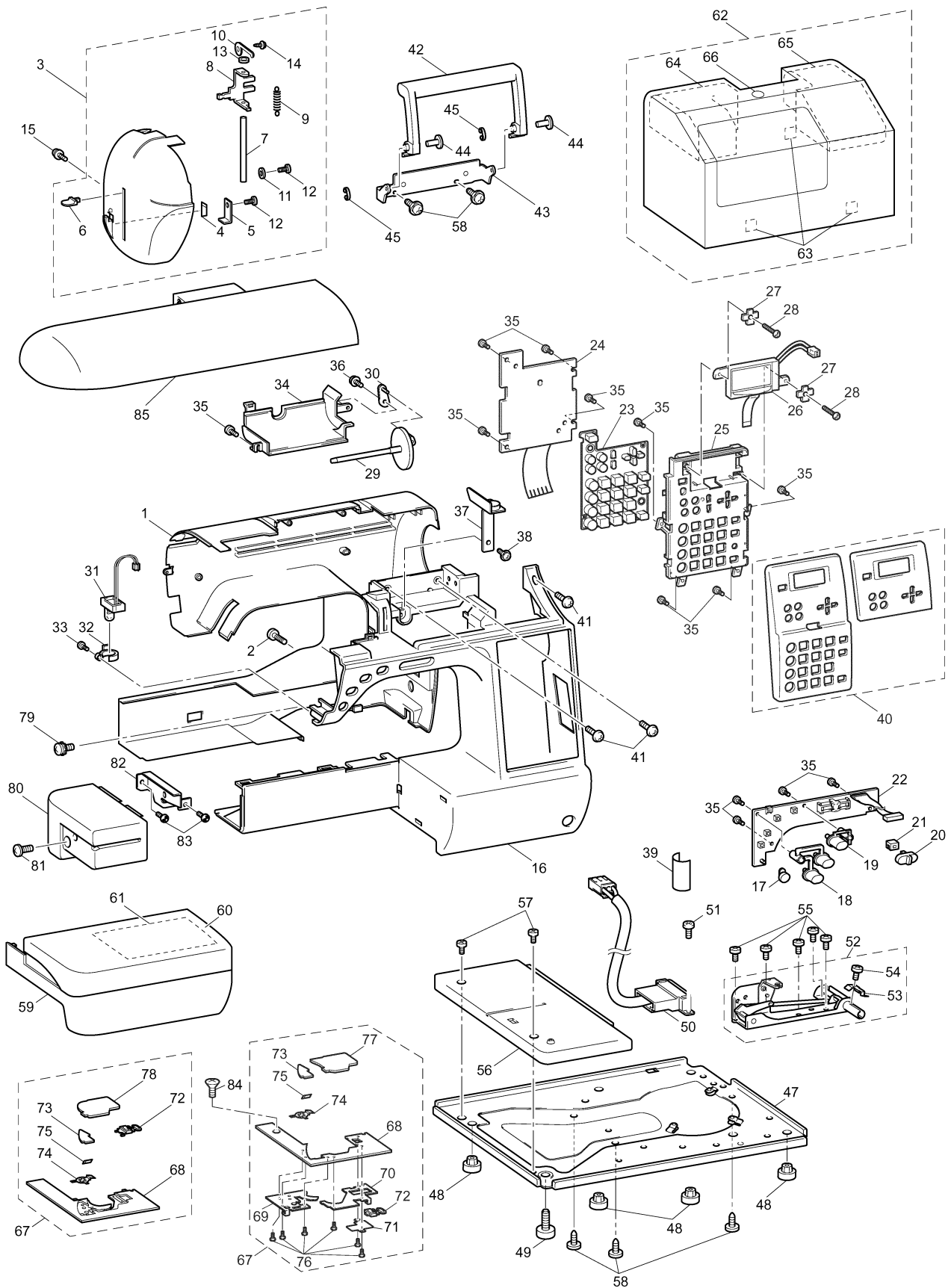
Note on parts:

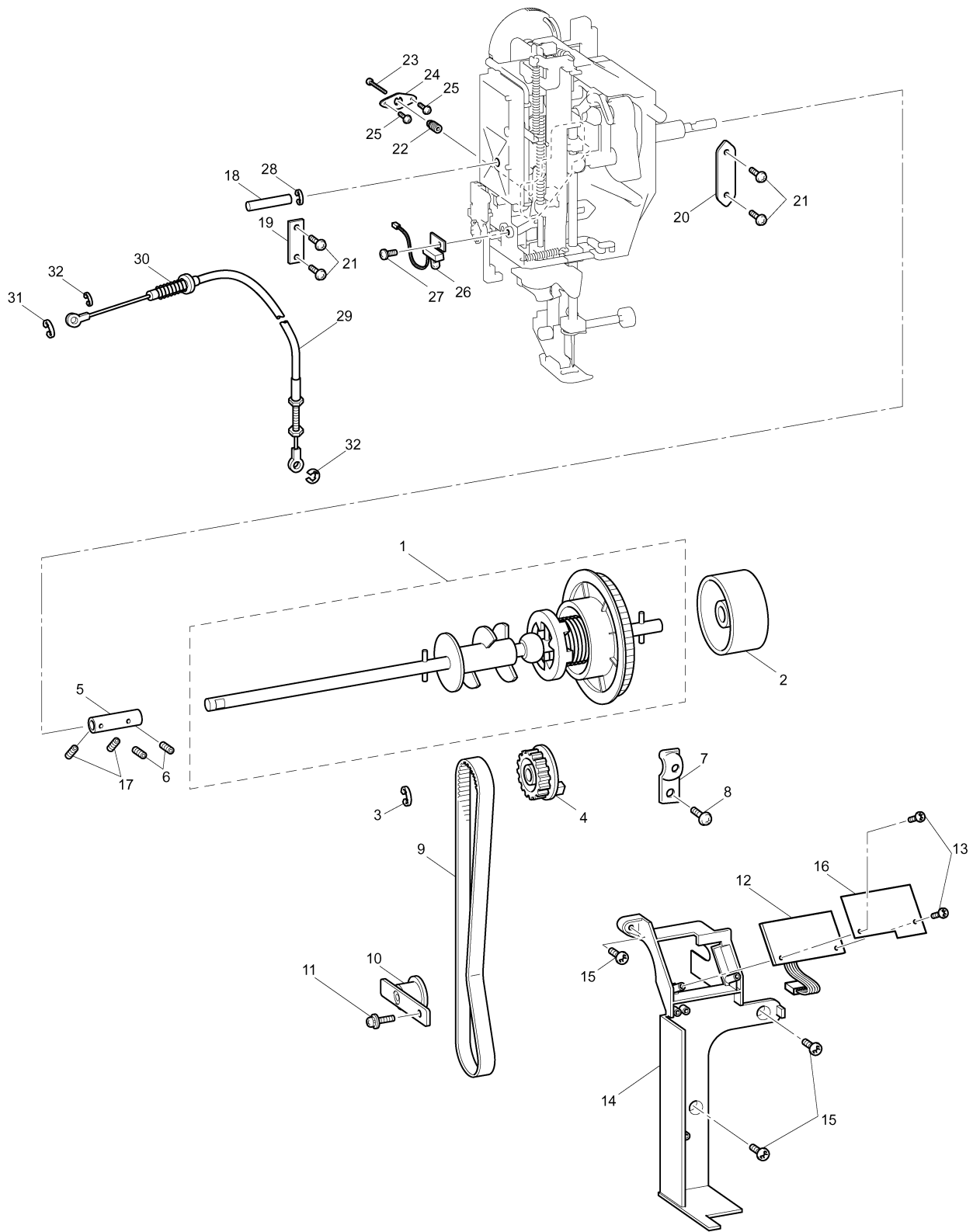
We keep performance parts for this sewing machine for at least 8 years after this model is discontinued. Performance parts are the necessary parts to maintain the function of the sewing machine.

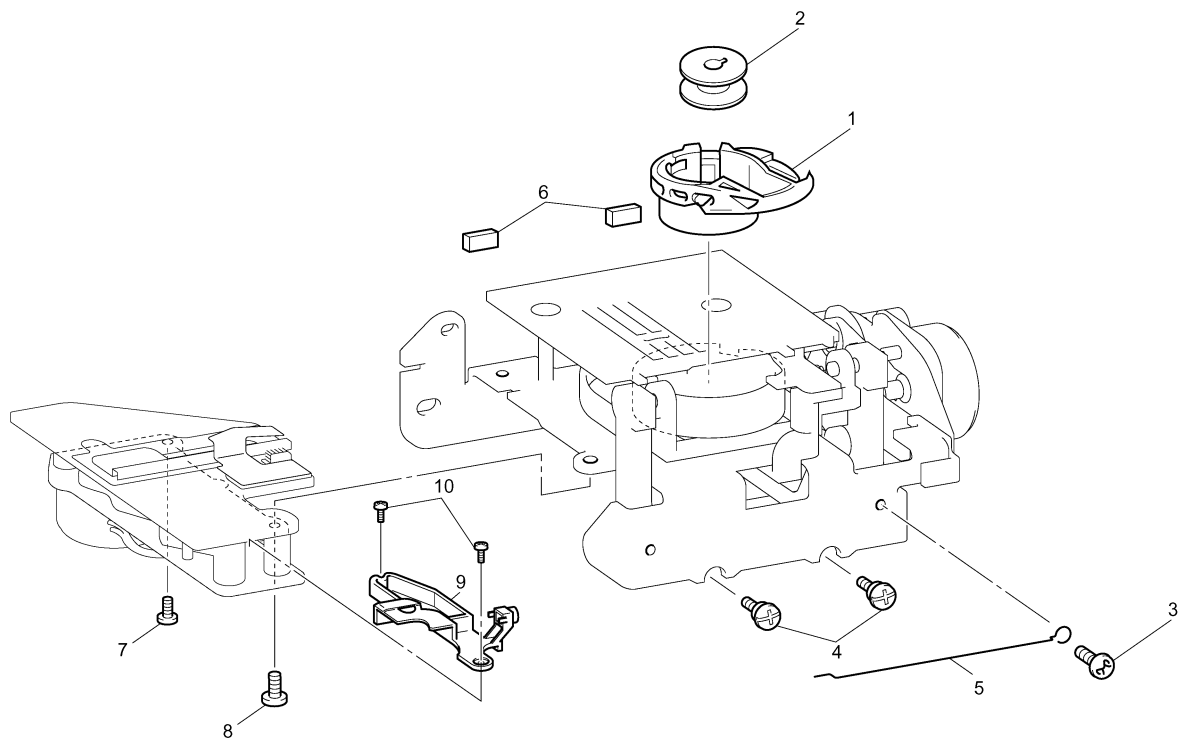
(1) PRINCIPAL PARTS

No.	CODE	NAME	REMARKS	No.	CODE	NAME	REMARKS
1	XE0340001	REAR COVER ASSY		41	085411416	TAPTITE, BIND B M4 × 14	
2	060400816	SCREW, BIND M4 × 8		42	XC2348051	HANDLE	
3	XD0324151	FACE PLATE (OTHER)		43	XC9696051	HANDLE HOLDER	
	XC9681151	FACE PLATE (NV350SE)	1000011565	44	XC2350051	HANDLE SHAFT	
4	X80321021	NT LOWER THREAD CUTTER		45	048040346	RETAINING RING, E4	1000001452
5	XC9682051	FACE PLATE CUTTER HOLDER		46	437743050	POLYESTER SLIDER	1000014067
6	XC9604051	NEEDLE THREAD LEVER KNOB		47	XC6818151	BASE PLATE	
7	XA5825051	NEEDLE THREAD LEVER SHAFT		48	XA1805021	BASE RUBBER A	
8	XC9683051	NEEDLE THREAD LEVER		49	XE1973001	ADJUSTING SCREW ASSY	1000000187
9	138260051	THREAD THROUGH LEVER SPRING		50	XC4412051	INLET ASSY: F1D-US (U.S.A., CAN)	
10	XZ0406050	SHAFT PRESSER PLATE			XC4417051	INLET ASSY: F1D-EU (OTHER)	
11	XE5212001	WASHER, PLAIN	1000011565	51	060400616	SCREW BIND M4X6	
12	138433021	TAPTITE, PAN B M3 × 6		52	XC4447151	KNEE LIFTER ASSEMBLY	
13	XC0508020	RUBBER WASHER		53	XA6215251	SPRING, PLATE	
14	X59629021	TAPTITE, BIND B M3 × 10		54	060260316	SCREW BIND M2.6X3	
15	XC7568051	SCREW PAN (S/P WASHER) M4 × 14		55	062400612	SCREW PAN M4X6	
16	XE0344001	FRONT COVER		56	XC9589051	BASE PLATE COVER	
17	XC9600052	SS-BUTTON		57	060300516	SCREW, BIND M3 × 5	
18	XC9601051	REVERSE BUTTON		58	X57908021	TAPTITE, BIND S M4X10	060160
19	XC9602051	THREAD CUT BUTTON		59	XC9606251	ACCESSORY TABLE	
20	XC9603051	SV KEYTOP		60	XD0696051	ACC TABLE COVER SUPPLY ASSY	
21	XC2316150	SV JOINT PLATE		61	XD0528050	SPONGE A	
22	XC2317151	PCB ASSY:SS-VR F2		62	XC9701052	CASE ASSEMBLY	
23	XE0394001	RUBBER KEY NF1D		63	125440020	CASE FELT	
24	XE0241101	OPERATION PCB ASSY: U22	1000013957	64	XC9702050	HEAD SUPPORT SF-L	
25	XE0348001	OPERATION PCB HOLDER NF3D		65	XC9703050	HEAD SUPPORT SF-R	
26	XC4418051	SINGLE LIGHT GUIDE ASSY		66	XZ0161051	BLIND PLATE	
27	XE0559001	SPACER		67	XD0354251	NEEDLE PLATE B ASSY (NX450, 450Q)	1000006037
28	085311216	TAPTITE BIND B M3X12			XC9704251	NEEDLE PLATE B ASSY (NV400, NV350SE)	1000002027
29	XA1786053	SPOOL PIN		68	XD0355251	NEEDLE PLATE B (NX450, 450Q)	1000006037
30	XC9690051	SPOOL PIN HOLDER ASSY			XC9705151	NEEDLE PLATE B (NV400, NV350SE)	1000002027
31	XD0343051	PCB UNIT: LED LAMP-FR		69	XC9706051	LOWER THREAD GUIDE (NV400, NV350SE)	
32	XC7081051	LAMP HOLDER SUPPORTER		70	XC9707051	INNER ROTARY HOOK PLATE (NV400, NV350SE)	
33	X57372051	TAPTITE, PAN P M2.6 × 8		71	XC9708151	BUTTON CATCH PLATE (NV400, NV350SE)	
34	XC9591051	THREAD BOBBIN COVER		72	XC7371022	SLIDE BUTTON (NX450, 450Q)	
35	136681021	TAPTITE, BIND B M3 × 8			XC9709051	SLIDE BUTTON (NV400, NV350SE)	
36	087311015	TAPTITE, CUP B M3 × 10		73	XD1666052	CUTTER COVER (NX450, 450Q)	
37	XC9693451	BOBBIN WINDER GUIDE ASSY			XC9710051	CUTTER COVER (NV400, NV350SE)	
38	XA8390021	SCREW		74	XD1461051	NEEDLE PLATE COVER SPRING	
39	XZ0143050	SSVR INSULATION SHEET		75	X80321021	NT LOWER THREAD CUTTER	
40	XE1269001	INDICATION PLATE NF1D ASSY B (OTHER)		76	060020316	SCREW BIND M2X3 (NV400)	
	XE1269002	INDICATION PLATE NF1D ASSY B (NV400SE)	1000001656	77	XE2144001	NEEDLE PLATE COVER SUPPLY ASSY (NV400)	1000001052
	XE1269003	INDICATION PLATE NF1D ASSY B (NV350SE)	1000005930	78	XD1645021	NEEDLE PLATE COVER SUPPLY ASSY	
				79	XC4433051	SCREW, PAN (T WASHER) M3 × 6	



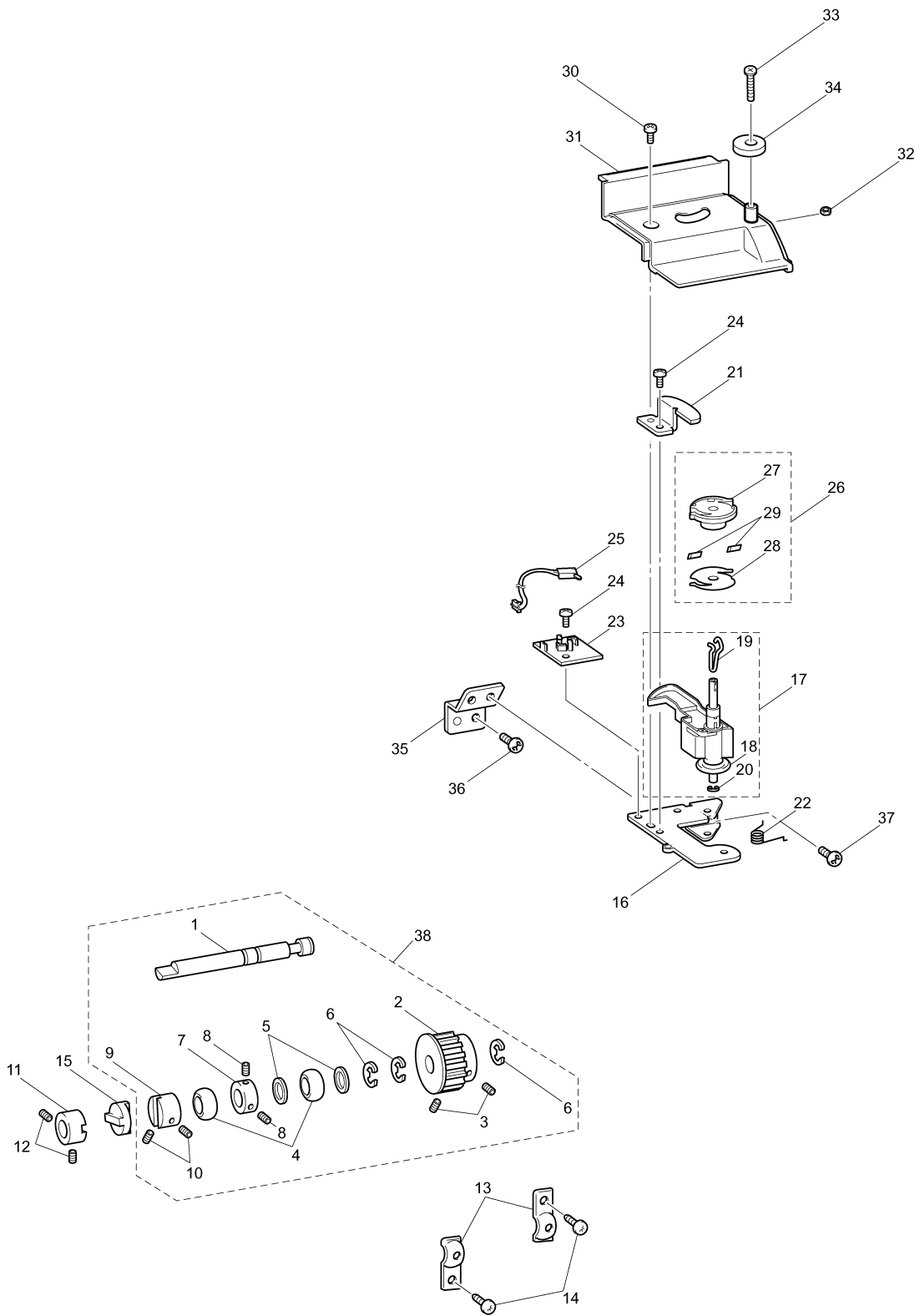






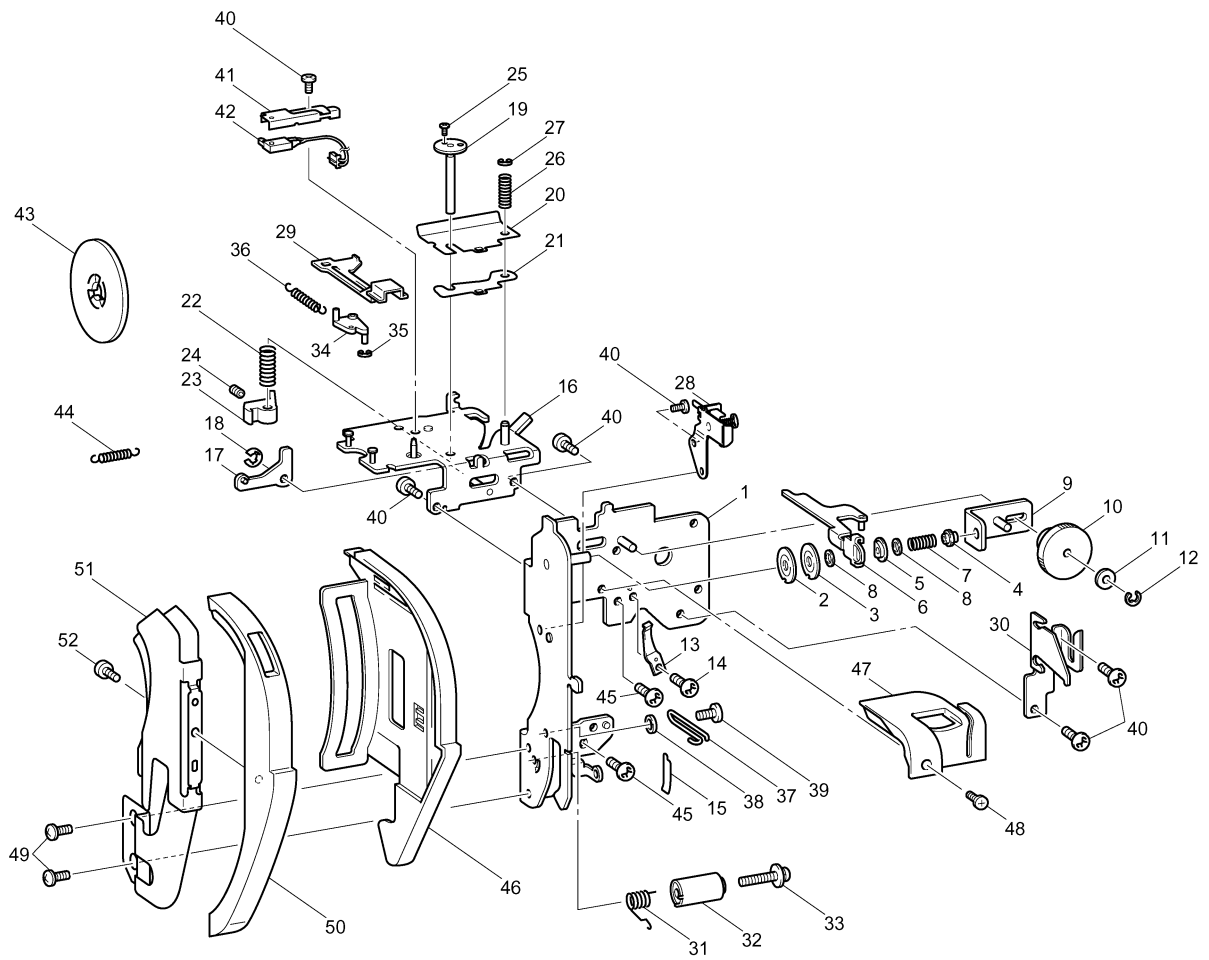
(4) ROTARY HOOK DRIVE / BOBBIN WINDER MECHANISM

No.	CODE	NAME	REMARKS
ROTARY HOOK DRIVE MECHANISM			
1	XC2600050	LOWER SHAFT A	
2	XC4943021	TIMING PULLEY D	1000000444
3	014500532	SET SCREW, SOCKET (CP) M5 × 5	1000000444
4	X52664020	LOWER SHAFT BUSHING	
5	X51383020	WASHER, THRUST	
6	048060346	RETAINING RING, E6	1000001452
7	137768121	SET SCREW COLLAR	
8	014400432	SET SCREW, SOCKET (CP) M4 × 4	
9	XC2602021	JOINT	
10	012500532	SET SCREW, SOCKET (FT) M5 × 5	
11	XC2602021	JOINT	
12	012500532	SET SCREW, SOCKET (FT) M5 × 5	
13	132421021	BUSHING PRESSER	
14	X57908021	TAPTITE, BIND S M4 × 10	
15	XC2603050	DISK	
BOBBIN WINDER MECHANISM			
16	XC2605051	BOBBIN WINDER ASSEMBLY HOLDER	
17	XC2606251	BW SHAFT HOLDER ASSEMBLY	
18	X55238021	RUBBER RING	
19	XZ5039001	BOBBIN WINDER SHAFT SPRING	1000007062
20	048050343	RETAINING RING, E5	
21	XA2862021	BOBBIN WINDER SHAFT STOPPER	
22	X59939021	BOBBIN WINDER SPRING	
23	XC2614021	SW ADJUST PLATE	
24	060300616	SCREW, BIND M3 × 6	
25	XC2612051	SW ASSY:BW-F	
26	XC4672051	BOBBIN BASE ASSY	
27	XC2616051	BOBBIN BASE	
28	XA5877021	BOBBIN THREAD CUTTER HOLDER	
29	X80321021	NT LOWER THREAD CUTTER	
30	XA8390021	SCREW	
31	XC9590051	BOBBIN WINDER COVER	
32	021300205	NUT, 2 M3	
33	0A4302506	SCREW PAN (S/P WASHER) M3X25	
34	XC4517051	BOBBIN PRESSER	
35	XC2615051	BW HOLDER SUPPORTER	
36	X57908021	TAPTITE, BIND S M4 × 10	
37	060400816	SCREW, BIND M4 × 8	
38	XC2599021	LOWER SHAFT A ASSY	1000001116



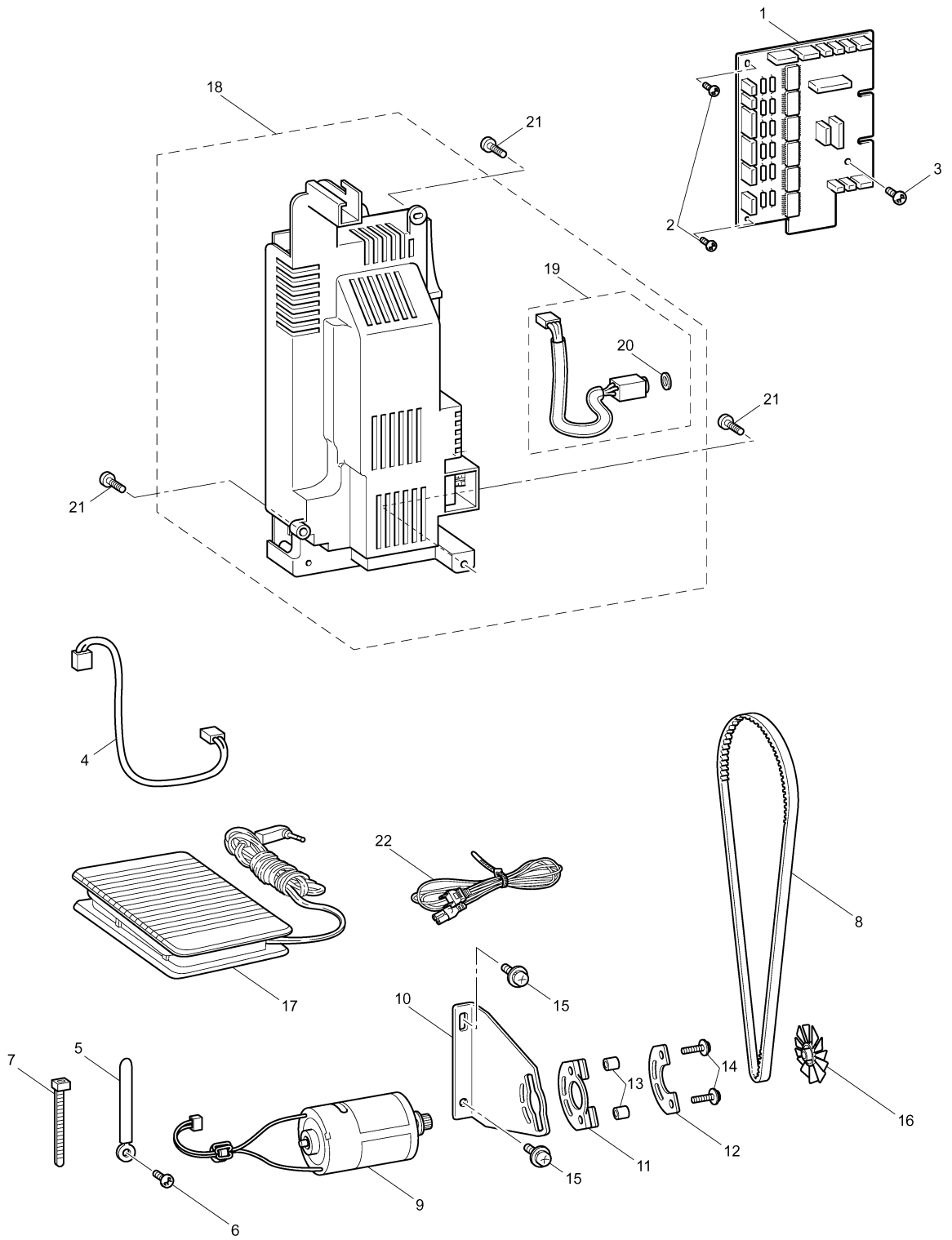
(5) THREAD GUIDE MECHANISM

No.	CODE	NAME	REMARKS	No.	CODE	NAME	REMARKS
1	XC2624351	THREAD GUARD ASSEMBLY		45	085411015	TAPTITE, BIND B M4 × 10	
2	XA0083121	TENSION DISC A	1000006407	46	XD0384151	THREAD GUARD COVER (OTHER)	
3	XC2626121	TENSION DISC B	1000006407		XC9593151	THREAD GUARD COVER (NV350SE)	1000005930
4	XC3437051	TENSION ADJUSTING SCREW		47	XC9592052	FRONT THREAD GUARD COVER	
5	XA1388021	TENSION DISC WASHER	060149	48	060300416	SCREW, BIND M3 × 4	
6	XC2627051	TENSION RELEASE PLATE ASSY		49	XC7564021	SCREW, PAN(S/P WASHER)M3X6	
7	XA9900051	THREAD TENSIONS PRING		50	XD0389051	THREAD GUIDE COVER (OTHER)	
8	XD0573021	WASHER	060149		XC9594051	THREAD GUIDE COVER (NV350SE)	1000005930
9	XC2629051	TENSION PLATE ASSY F2		51	XC9745151	THREAD GUIDE	
10	XC2630054	THREAD TENSION DIAL		52	X59629021	TAPTITE, BIND B M3X10	060149
11	137999020	POLYESTER SLIDER	060149				
12	048030346	RETAINING RING E3	1000001452				
13	XC2633051	SPRING PLATE					
14	060300416	SCREW BIND M3X4					
15	XA9935050	SPRING TAPE					
16	XC2635151	TENSION RELEASE HOLDER ASSY					
17	XA9571051	TENSION RELEASERLINK					
18	048030346	RETAINING RING, E3	1000001452				
19	XC2638151	TENSION PRESSURE ASSY					
20	XA9575051	TENSION PLATE					
21	XA9576051	SPACER					
22	XA9577051	SPRING					
23	XC2640051	TENSION RELEASE CAM					
24	012300432	SET SCREW, SOCKET (FT) M3 × 4					
25	X57363051	POWER LOCK 2 × 3					
26	X57605051	SPRING					
27	048020346	RETAINING RING, E2	1000001452				
28	XC2644051	PLATE ASSEMBLY					
29	XC9740051	THREAD GUIDE SHUTTER					
30	XC2749051	THREAD GUIDE					
31	XC6957121	THREAD TAKE UP SPRING	1000005353				
32	XC2648121	THREAD CATCHING SPRING CASE	1000003151				
33	0A4301806	SCREW, PAN (S/P WASHER) M3X18					
34	XC2649050	THREAD GUIDE SHUTTER LINK					
35	048030346	RETAINING RING, E3	1000001452				
36	XC2650051	SPRING					
37	XC2651050	THREAD GUIDE WIRE					
38	XA9996051	WASHER,PLAIN					
39	XC7564021	SCREW, PAN(S/P WASHER)M3X6	060149				
40	060300416	SCREW, BIND M3 × 4					
41	XC2641051	PRESSER SWITCH HOLDER					
42	XC2642051	SW ASSY:PF-F					
43	XE1372001	SPOOL PRESSER C	060144				
44	XA9787051	SPRING					



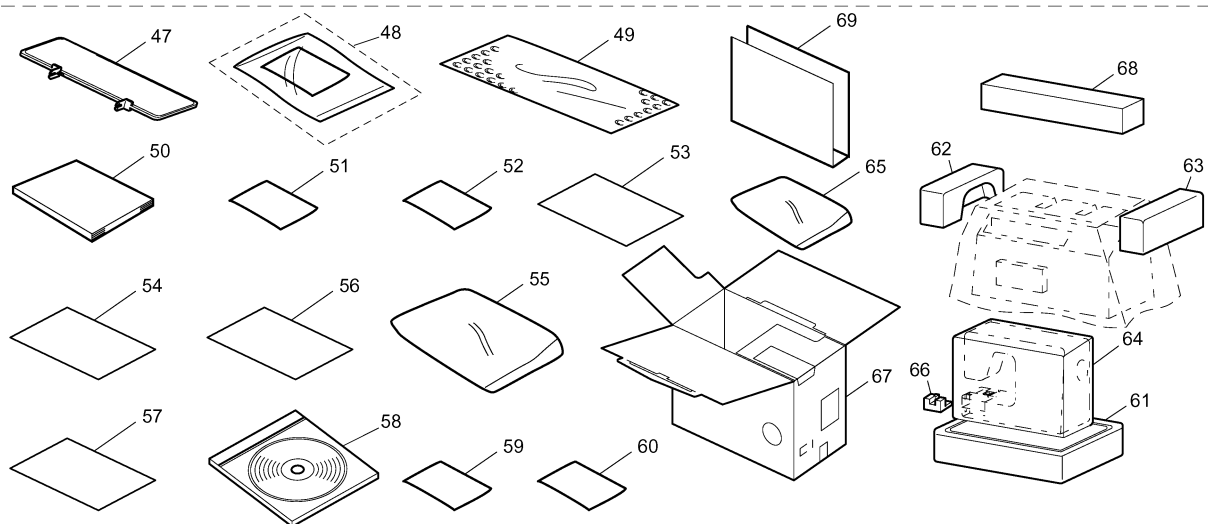
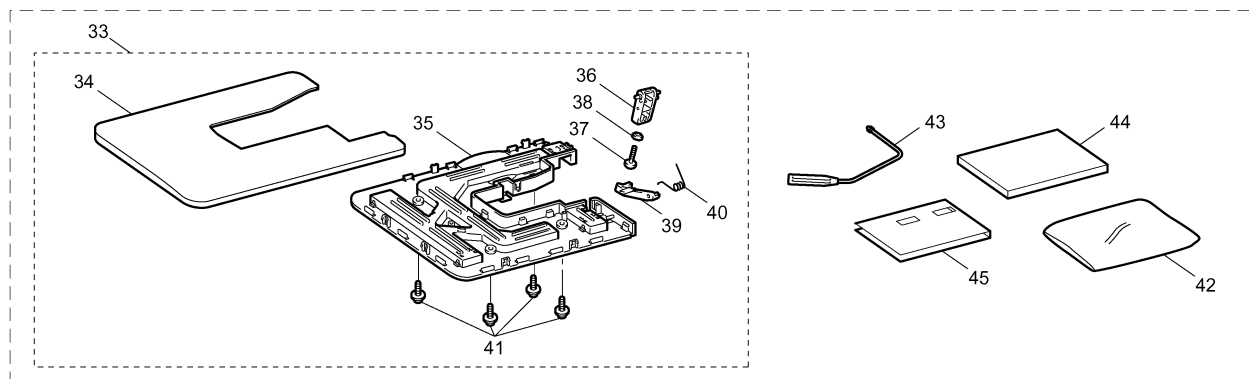
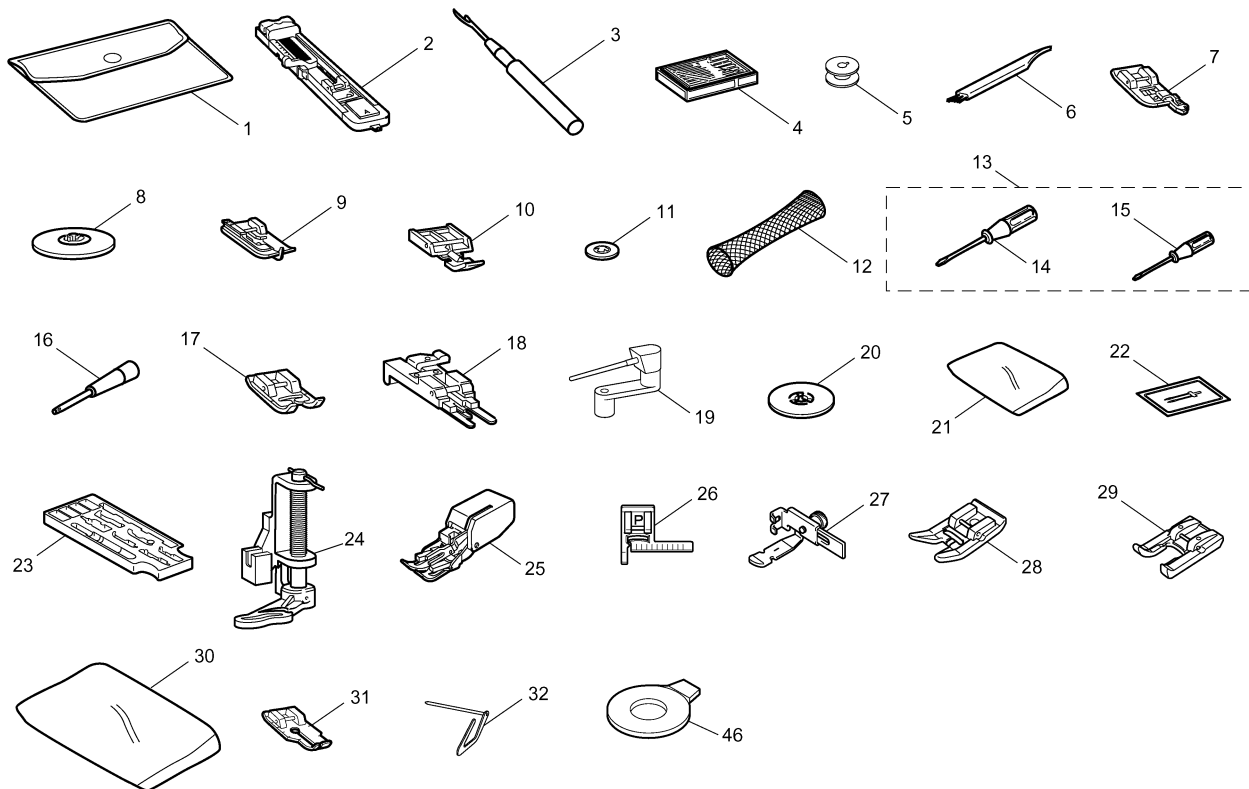
(6) ELECTRONIC PARTS / MOTOR UNIT

No.	CODE	NAME	REMARKS
ELECTRONIC PARTS			
1	XE1240301	MAIN PCB SUPPLY ASSY NF1D-B (NX450, NX450Q, NV400:OTHER, NV400SE)	1000014525
	XE1333201	MAIN PCB SUPPLY ASSY NF1D-R (NV400:RUS)	1000014525
2	136681021	TAPTITE, BIND B M3X8	
3	060400816	SCREW, BIND M4 × 8	
4	XC2672051	LEAD ASSY:BH CABLE-F	
5	XA0286021	WIRE CLIP	
6	X57908021	TAPTITE, BIND S M4 × 10	
7	X53169020	BAND	
MOTOR UNIT			
8	XC2685051	T BELT494-2GT-6	
9	XC2687051	ASSY:MAIN MOTOR-F	
10	XC2690051	MOTOR HOLDER	
11	XA9649050	FENDER RUBBER	
12	XA9650051	MOTOR SPACER PRESSER	
13	XC3027051	SPACER 4 × 6	
14	XC7568051	SCREW, PAN (S/P WASHER) M4 × 14	
15	XA8474021	UPSET 4 × 12 DB	
16	XA9652150	MOTOR FAN	
17	XC6651221	FOOT CONTROLLER:FC-313-81-LF (NX450, NX450Q, NV400:RUS, TWN, SIN, CHN, AUS,)	1000014451
	XD0496121	FOOT CONTROLLER:FC-313-LF-EU (NV400:OTHER, NV400SE, NV350SE)	1000014451
POWER SUPPLY UNIT			
18	XD0471251	POWER SUPPLY UNIT F120 (NX450, NX450Q) (EXCEPT:NX450Q:BRA220V, ARG)	1000000807
	XD1235151	POWER SUPPLY UNIT F230 (NV400, NV400SE, NV350SE, NX450Q:BRA220V, ARG, PAR)	1000001656
19	XC4488051	FC JACK-F SUPPLY ASSY	
20	XD1973021	NUT F	060160
21	XC7568051	SCREW, PAN(S/P WASHER)M4X14	
22	XC6052021	POWER SUPPLY CORD:UL CSA-LF (NX450, NX450Q) (EXCEPT:NX450Q:ARG)	
	X59354121	POWER SUPPLY CORD –BS (U.K., IRE)	
	XA0070121	POWER SUPPLY CORD (OTHER)	
	XA5820021	MAIN POWER CODE (NV400:CHINA)	ADD
	XE3210001	POWER SUPPLY CORD:BRZ (BRA) (BRA120V)	1000003956
	XD0225021	POWER SUPPLY CORD:TWN (TWN)	1000003466
	XE4301001	POWER SUPPLY CORD:BRZ 220V (BRA220V)	1000007331
	XD0111151	POWER SUPPLY CORD:IRAM (NX450Q:ARG)	1000008314



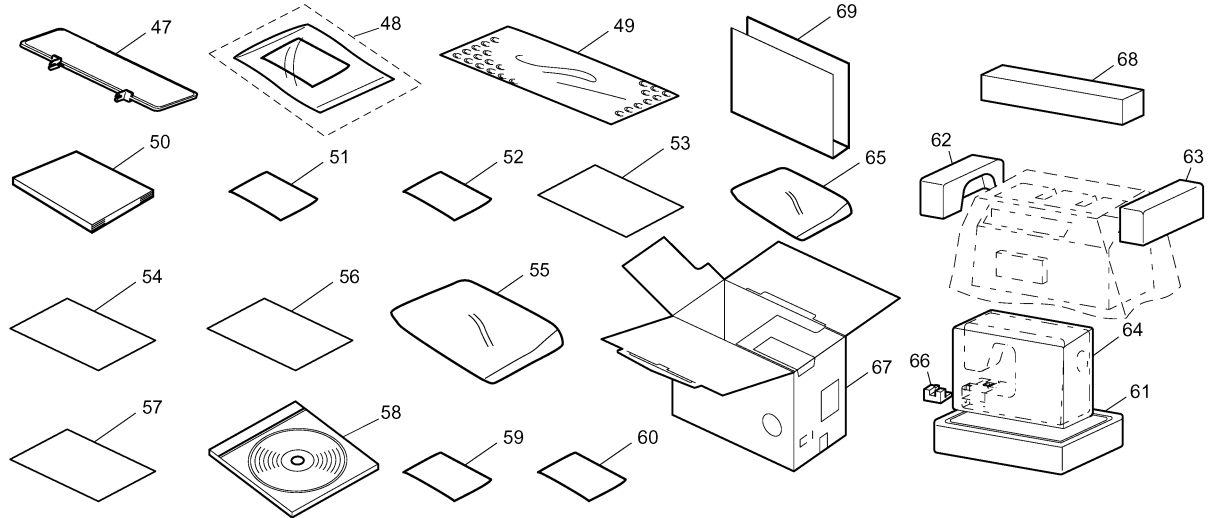
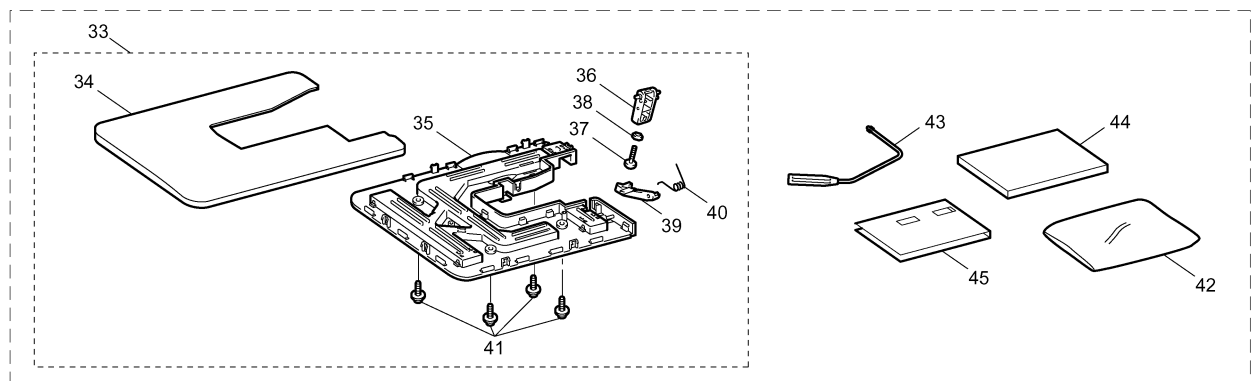
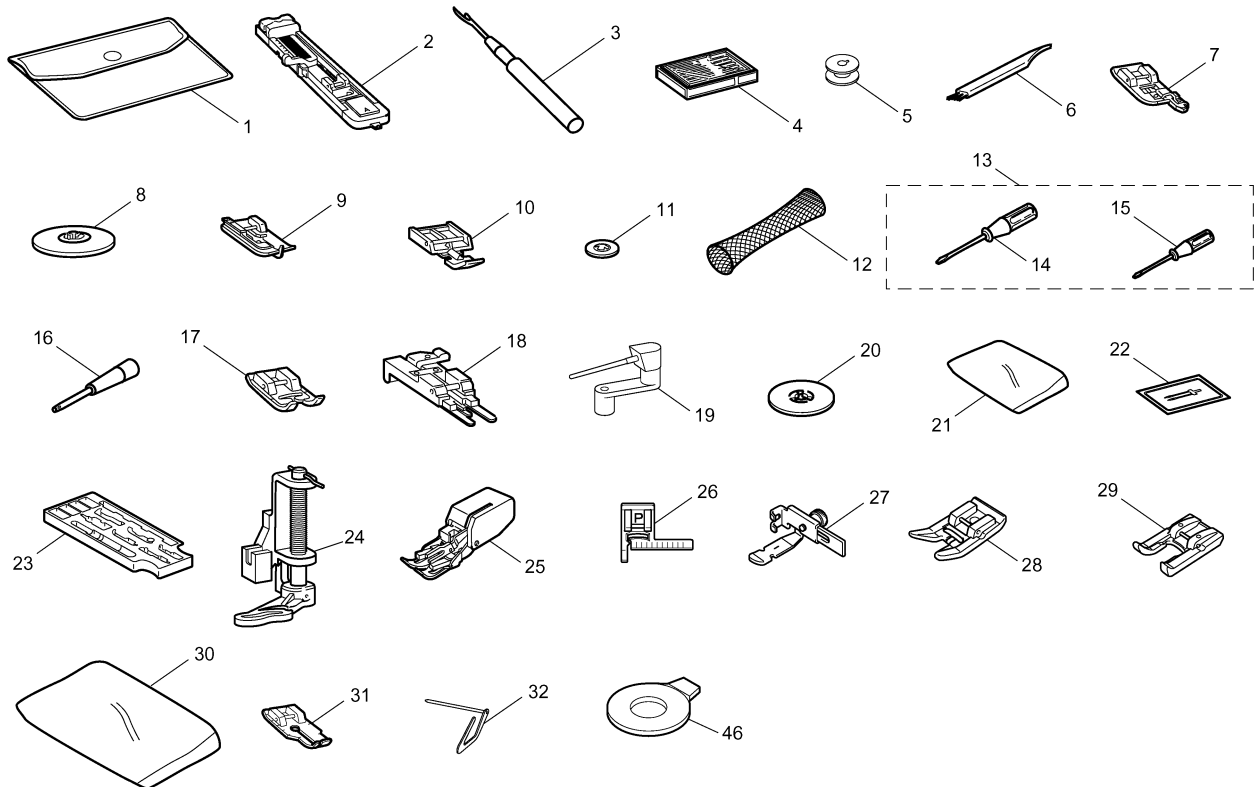
(7) ATTACHMENTS / PRINTED MATTER / PACKING MATERIALS

No.	CODE	NAME	REMARKS	No.	CODE	NAME	REMARKS
ATTACHMENTS							
1	XC4487021	ACCESSORY BAG		36	XC4495051	TABLE FOOT (NX450Q, NV400, NV400SE, NV350SE:RUS)	
2	XC2691023	BH PRESSER FOOT ASSY		37	XD1223021	ADJUSTING FOOT (NX450Q, NV400, NV400SE, NV350SE:RUS)	060145
3	X54243051	SEAM RIPPER		38	021400206	NUT 2 M4 (NX450Q, NV400, NV400SE, NV350SE:RUS)	
4	X58358021	Z NEEDLE ASSY		39	XC4497151	LOCK LEVER (NX450Q, NV400, NV400SE, NV350SE:RUS)	1000006345
5	X52800120	BOBBIN		40	XE3127001	LOCK SPRING (NX450Q, NV400, NV400SE, NV350SE:RUS)	1000006345
6	X59476021	CLEANING BRUSH		41	087411416	TAPTITE CUP B M4X14 (NX450Q, NV400, NV400SE, NV350SE:RUS)	
7	XC3098031	OVERCASTING STITCH FOOT ASSY		42	X61231051	BAG,400X500H (NX450Q, NV400, NV400SE, NV350SE:RUS)	
8	130012024	SPOOL PRESSER A		43	XA6941052	KNEE LIFTER LEVER ASSY (NX450Q, NV400, NV400SE, NV350SE:RUS)	
9	XE2650001	BLIND STITCH FOOT ASSY	1000009241	44	XC4509051	TABLE CARTON (NX450Q, NV400, NV400SE, NV350SE:RUS)	
10	X59370021	ZIPPER FOOT		45	XC4512050	PAD (NX450Q, NV400, NV400SE, NV350SE:RUS)	
11	130013124	SPOOL PRESSER B		46	XC1074051	DISC-SHAPED SCREWDRIVER	1000011717
12	XA5523020	NET		47	XE4794001	STITCH PATTERN PLATE NF1D (OTHER)	1000008042
13	XE0243001	SCREW DRIVER ASSY			XE4945001	STITCH PATTERN PLATE NF1D (NV400, NV350SE:RUS)	1000008107
14	XC8349021	SCREW DRIVER	1000013436	48	XE4801001	STITCH SEAL NF1D ASSY(NV400:Except RUS)	1000008146
15	X55468021	SCREW DRIVER S	1000013436	49	XE0580001	BAG BUBBLE PACK 150X320	
16	135793001	PUNCH		PRINTED MATTER			
17	XD0810031	TRANSPARENCY PRESSER FOOT	060182	50	XE0403001	INSTRUCTION BOOK ENG	
18	XE2643001	BUTTONING FOOT ASSY	1000006460		XE0884001	INSTRUCTION BOOK FRE	
19	XC4654051	EXTRA SPOOL PIN ASSY			XE0407001	INSTRUCTION BOOK GER	
20	XE1372001	SPOOL PRESSER C	060144		XE0885001	INSTRUCTION BOOK DUT	
21	X57367021	BAG,135 × 150			XE0886001	INSTRUCTION BOOK SPA	
22	X59296121	TWIN NEEDLE (1PC)			XE0887001	INSTRUCTION BOOK ITA	
23	XC4489051	ACCESSORY TRAY			XE0892001	INSTRUCTION BOOK RUS	
24	XA4322001	QUILTING FOOT (NX450, NX450Q, NV400, NV400SE, NV350SE:RUS)			XE1366001	INSTRUCTION BOOK (CHN)	ADD
25	XE1679201	WALKING FOOT ASSEMBLY (NX450, NX450Q, NV400, NV400SE, NV350SE:RUS)	1000000446		XE3296001	INSTRUCTION BOOK (TWN)	1000003466
26	X51804001	STITCH FOOT (NX450, NX450Q, NV400, NV400SE, NV350SE:RUS)			XE4537101	INSTRUCTION BOOK BR (BRA)	1000009220
27	103561002	ZIPPER FOOT (NX450, NX450Q, NV400, NV400SE, NV350SE:RUS)			XE4559001	INSTRUCTION BOOK EEU (Cesko, Hungary)	1000007823
28	XA4783001	NO STICK FOOT H (NX450, NX450Q, NV400, NV400SE, NV350SE:RUS)			XE4684001	INSTRUCTION BOOK EEU (Poland, Romania)	1000007823
29	XE1105101	APPLIQUE FOOT ASSY (NX450, NX450Q, NV400, NV400SE, NV350SE:RUS)	1000002053		XE5011001	INSTRUCTION BOOK BG (EEU)	1000008618
30	XA0188020	BAG 260 x 375HC	1000012991	51	XC8946021	WARRANTY CARD C (U.S.A.)	
31	XA3805021	1/4'QUILTING FOOT (NX450Q)			LA1661001	WARRANTY CARD EURO CH (IRE, GER, U.K., RUS, ITA, SWI, EEU, NEU, BEL, FRA, NLD)	1000010793
32	X59819021	QUILTER (NX450Q)			XC6402021	WARRANTY CARD UK (U.K.)	
33	XD0057251	WIDE TABLE ASSY NEWF (NX450Q, NV400, NV400SE, NV350SE:RUS)	1000006345		XE5609101	WARRANTY CARD 5YEARS ITA (ITA)	1000013378
34	XD0053151	TABLE UPPER (NX450Q, NV400, NV400SE, NV350SE:RUS)					
35	XC4493021	TABLE LOWER (NX450Q, NV400, NV400SE, NV350SE:RUS)					



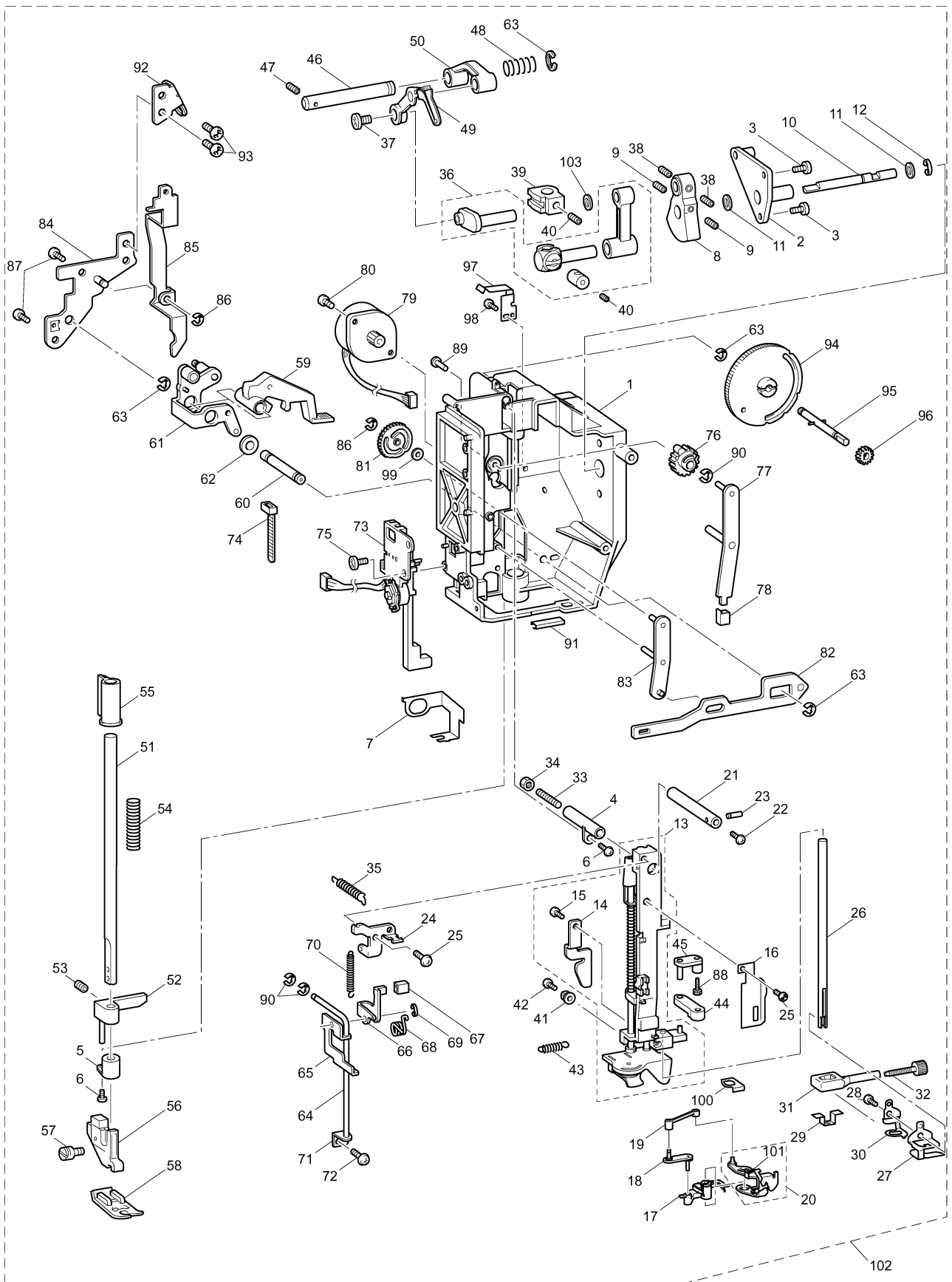
(7) ATTACHMENTS / PRINTED MATTER / PACKING MATERIALS

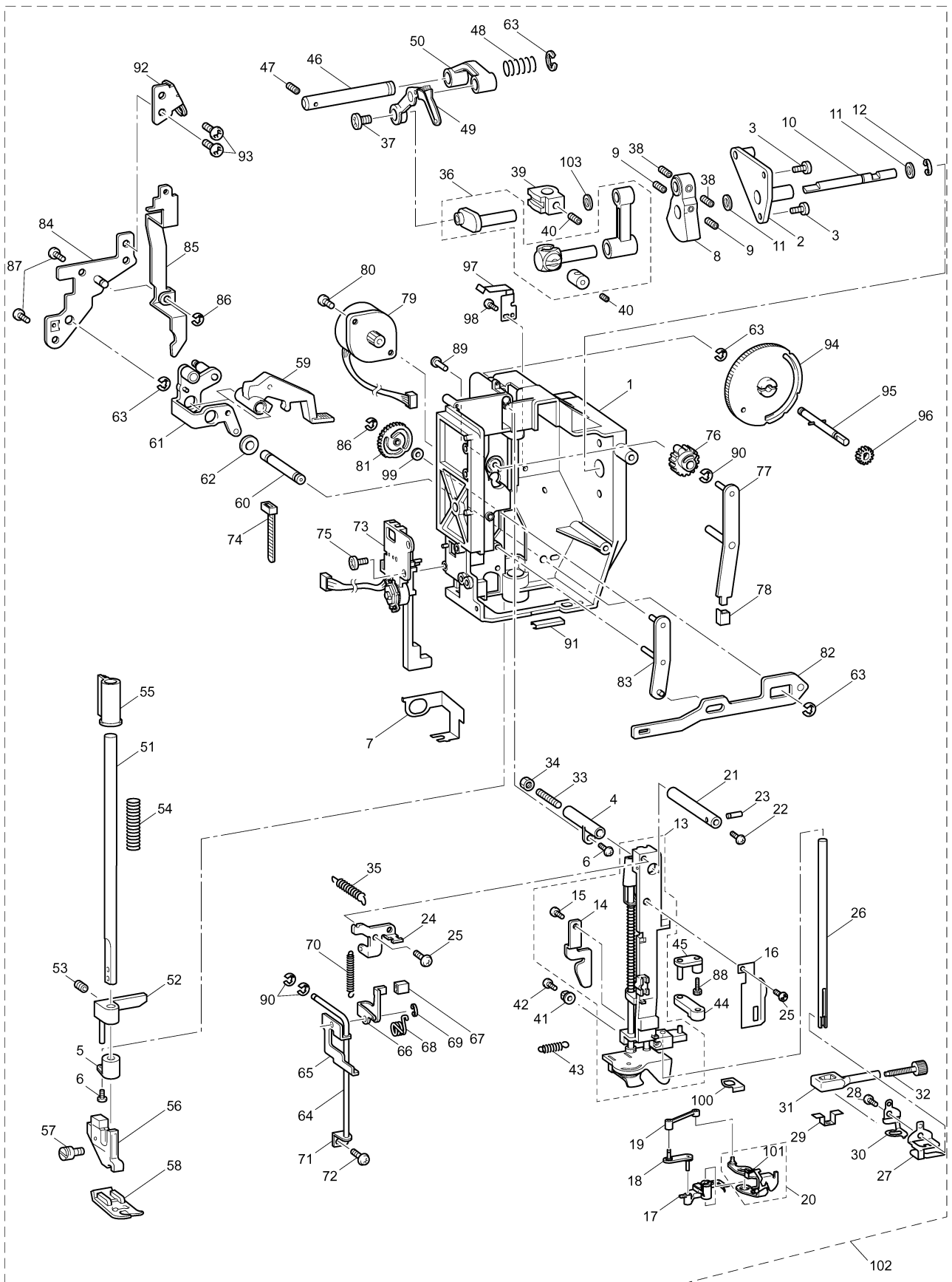
No.	CODE	NAME	REMARKS
51	LW3135001	CEE WARRANTY CARD (EEU)	1000011500
	XD1328221	WARRANTY CARD CHINA (CHN)	1000012599
	XE4548001	WARRANTY CARD BR HSM (BRA)	1000007560
52	XE2010001	WARRANTY CARD BROTHER CANADA	
	XE5572001	WARRANTY CARD BROTHER RUS (RUS)	1000010023
	XE5652001	WARRANTY CARD BROTHER ARG (ARG)	1000011223
53	XD0256121	INSERTION WEEE (IRE, GER, U.K., RUS, SPA, ITA, SWI, EEU, NEU)	1000002031
54	XE0404001	QUICK REFERENCE GUIDE (Except RUS)	
	XE0893001	QUICK REFERENCE GUIDE RUS (RUS)	
	XE5018001	QUICK REFERENCE GUIDE BG (EEU)	1000008618
55	XA0188020	BAG 260 × 375HC	1000014034
56	XE6298001	ACCESSORY LEAFLET 4	1000013826
57	XE0361001	LANGUAGE SETTING SHEET (Except U.S.A., SIN, CHN, ARG)	
58	XE0880001	INSTRUCTION CD (NEU)	
59	XC2067121	USER'S MANUAL (NX450Q)	
60	XE1158101	BOOKLET (IRE, GER, U.K., RUS, ITA, SWI, EEU, NEU)	1000001949
	XE2895001	OPTIONAL 5YEAR WARRANTY CARD (U.K.)	1000004069
	XC3198101	SIDE CUTTER ASSY (NX450: TWN)	1000009333
	XE5611001	REGISTRATION CARD ITA (ITA)	1000010089
PACKING MATERIALS			
61	XC9754150	BODY SUPPORT SF	
62	XC2705150	CASE SUPPORT	
63	XC2706150	CASE SUPPORT SF-R	
64	X60439121	BAG 630 × 630T	1000013217
65	XC4515020	BAG, BUBBLE PACK 250 × 250 (NX450, NX450Q, NV350SE, NV400:RUS, SIN, AUS)	
66	XC4762250	THREADER SUPPORT SF	
67	XE0586001	CARTON (NX450:OTHER)	
	XE1190101	CARTON (NX450Q)	060181
	XE0408001	CARTON (NV400:OTHER)	
	XE1112101	CARTON (NV400:RUS)	1000004572
	XE2475001	CARTON (NV400SE)	1000001656
	XE3239001	CARTON (NX450:TWN)	1000003466
	XE3482001	CARTON (NV350SE EXCEPT:RUS)	1000005930
	XE4425001	CARTON (NV350SE:RUS)	
68	XC4805050	TABLE SUPPORT SF (NX450Q, NV400, NV400SE, NV350SE:RUS)	
69	XC4631051	PAD (NX450, NV350SE)	
70	X57847024	PLUG LABEL (U.K.)	
	XE3838001	BAG 750X600H	1000005912
	XC4549020	SA527/GS4 GRID SHEET SET	



NEEDLE-PRESSER MODULE

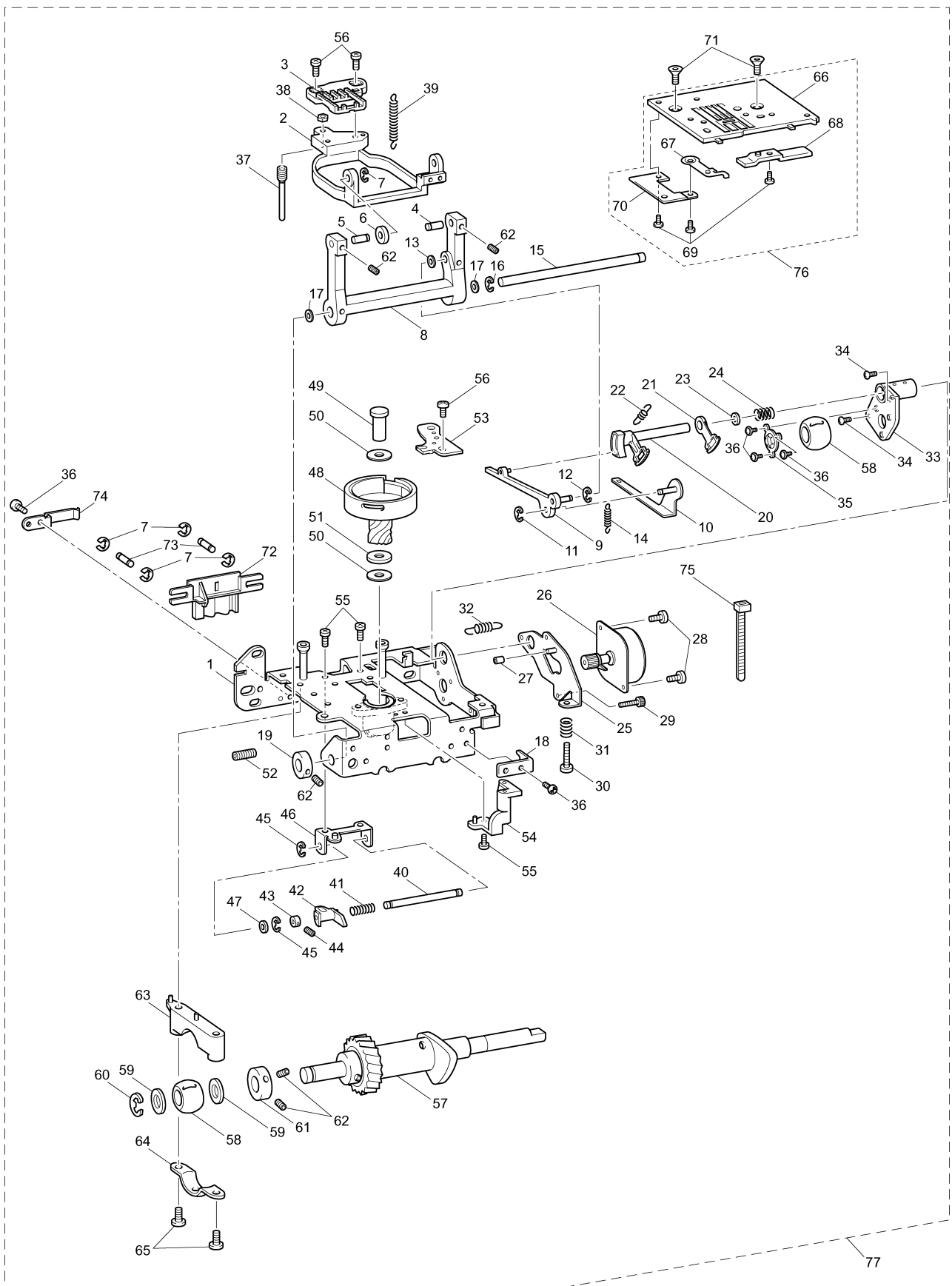
No.	CODE	NAME	REMARKS	No.	CODE	NAME	REMARKS
1	XE0017101	UPPER UNIT HOLDER	1000007181	45	XC2437021	SHAFT ASSY	
2	XC2395221	SHAFT BUSHING ASSEMBLY	1000014050	46	XC2440021	SHAFT	
3	0A5401405	SCREW, PAN (S/P WASHER) M4 × 14		47	014300532	SET SCREW, SOCKET (CP) M3 × 5	
4	XC2398020	SHAFT BUSHING A		48	XC2441021	SPRING	
5	XC2399021	PRESSER BAR BUSHING		49	XC2442153	THREAD TAKE-UP LEVER	1000006969
6	085310815	TAPTITE, BIND B M3 × 8		50	XC2443020	THREAD TAKE-UP LEVER LINK	
7	XC5362020	PLATE SPRING		51	XC2444021	PRESSER BAR	
8	XC2400021	THREAD TAKE-UP COUNTER WEIGHT		52	XC2445021	PRESSER BAR CLAMP ASSY	
9	012500532	SET SCREW, SOCKET (FT) M5 × 5		53	014501032	SET SCREW, SOCKET (CP) M5 × 10	
10	XC2401021	UNIT SHAFT		54	XC4457051	SPRING	
11	132434020	WASHER		55	XC4458050	PRESSER SPRING SUPPORTER	
12	048060346	RETAINING RING, E6	1000001452	56	XC3015031	PRESSER FEED HOLDER ASSY	060160
13	XC9716251	NEEDLE BAR SUPPORTER ASSY		57	132730122	TIGHTENING SCREW 3.57	1000003761
14	XC9908150	HOOK RELEASE PLATE		58	XC3021031	Z FOOT	060160
15	060260516	SCREW, BIND M2.6 × 5		59	XC9725051	PRESSER FOOT LIFTER	
16	XZ0417050	GUARD PLATE		60	XC4459051	PRESSER LIFT SHAFT	
17	XD1550151	THREADER HOOK ASSY	1000006034	61	XC4460051	LIFTER ASSY	
18	XD1546051	LINK A ASSY		62	XA1860120	WASHER	
19	XD1548151	LINK B	1000009134	63	048040346	RETAINING RING, E4	1000001452
20	XC9613121	THREAD GUIDE ASSY	1000011660	64	XC2453021	LEVER GUIDE SHAFT	
21	XC2419021	SHAFT		65	XC2455021	LEVER A ASSY	
22	000020415	SCREW, BIND M2 × 4		66	XC2458021	LEVER B	
23	XC2420020	SHAFT		67	XC2459020	CAP	
24	XC2421121	PLATE		68	XC2460021	TORSION SPRING	
25	060300516	SCREW, BIND M3 × 5		69	048030343	RETAINING RING, E3	1000001452
26	XC2423021	NEEDLE BAR	060152	70	XC2461021	SPRING	
27	XE0011001	NEEDLE BAR THREAD GUIDE Q		71	XC2462021	LEVER PRESSER PLATE	
28	X53053052	SCREW SM2.38		72	138433021	TAPTITE, PAN B M3 × 6	
29	XC2426020	NEEDLE THREAD PLATE		73	XC2463121	BH SWITCH ASSY	
30	XE0012001	NEEDLE THREAD GUIDE SPRING		74	X53169020	BAND	
31	XC2427051	NEEDLE BLOCK		75	XZ0149021	TAPTITE, PAN B 4 × 12	
32	XZ0388251	NEEDLE CLAMP SCREW	1000010409	76	XC2474020	Z ZIGZAG CAM	
33	014401232	SET SCREW, SOCKET (FT) M4 × 12		77	XC2476021	Z ZIGZAG LEVER ASSY	
34	X56851021	LOCK NUT		78	XC2480020	Z LEVER CUP	
35	XC2429021	SPRING		79	XC2481021	MOTOR, PULSE: Z SMJ35-4840-A	
36	XE2589001	NEEDLE BAR CRANK ROD ASSY	1000001910	80	X59629021	TAPTITE, BIND B M3 × 10	
37	132051022	SCREW, FLAT SM3.57-40 × 7 L		81	XC2483020	T CAM	
38	012500532	SET SCREW, SOCKET (FT) M5 × 5		82	XC2491121	THREAD RELEASER ASSY	1000013556
39	XC2434021	NEEDLE THREAD BLOCK		83	XC2494021	THREAD RELEASE LEVER ASSY	
40	012400432	SET SCREW, SOCKET (FT) M4 × 4		84	XC4465051	ADJUSTING PLATE ASSY	
41	XC2435020	ZIGZAG ADJUSTING NUT		85	XC2501121	TENSION RELEASER C	
42	018301032	BOLT, SOCKET M3 × 10		86	048030346	RETAINING RING, E3	1000001452
43	XC2748021	SPRING-Z		87	XC3588021	GIZA TITE 4 × 12	
44	XC2436021	NEEDLE HOLDER BLOCK		88	XC3037021	SCREW 3 × 10	

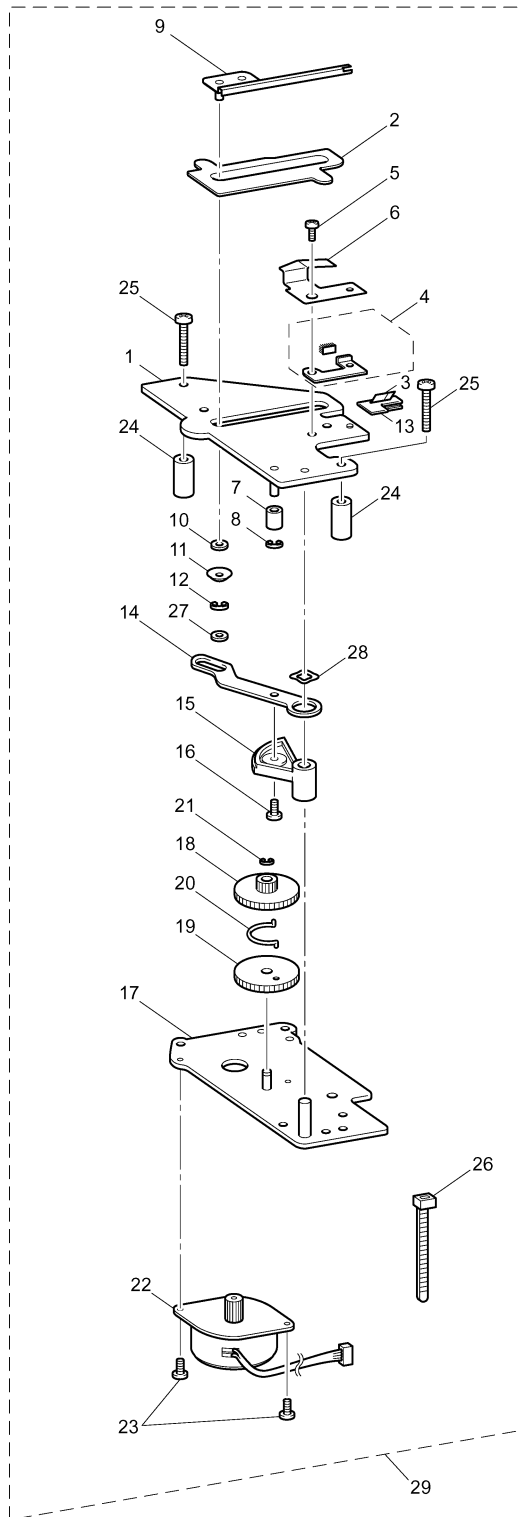




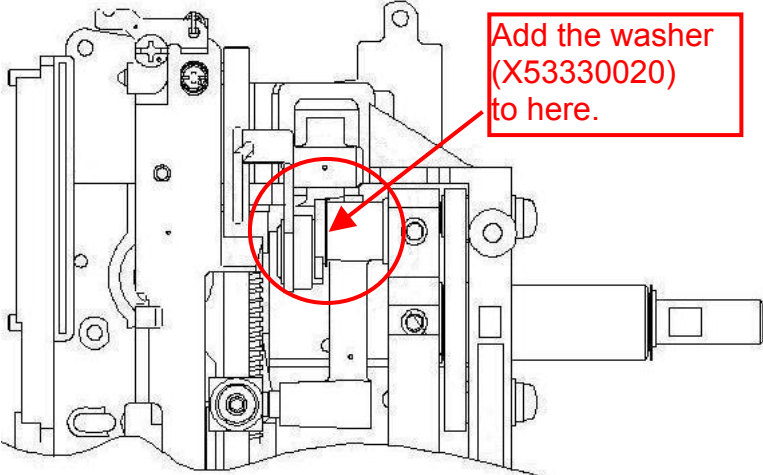
FEED MODULE

No.	CODE	NAME	REMARKS	No.	CODE	NAME	REMARKS
1	XC7638121	BASE PLATE	060148	45	048030346	RETAINING RING, E3	1000001452
2	XC2510021	FEED BAR		46	XC7801021	VERTICAL SUPPORTING PLATE	
3	XE4919001	FEED DOG	1000007979	47	137713020	POLYESTER SLIDER	
4	XC2512021	FEED BAR SHAFT A	060148	48	XC2210021	OUTER ROTALY HOOK ASSY	060148
5	XC2513021	FEED BAR SHAFT B		49	XD1943021	OUTER ROTARY HOOK SHAFT	060148
6	XC2514021	FEED BAR SPACER		50	137805022	SPACER	060148
7	048020346	RETAINING RING, E2	1000001452	51	137976021	WASHER 6	060148
8	XC8337021	FEED ARM A		52	014400632	SET SCREW, SOCKET (CP) M4 × 6	
9	XC2517021	FEED ARM B ASSY		53	XC2555021	INNER ROTARY HOOK BRACKET ASSY	
10	XC2521021	FEED SUPPORTING PLATE ASSY		54	XC2559121	STOPPER PLATE BLOCK ASSY	060148
11	048020346	RETAINING RING, E2	1000001452	55	060400516	SCREW, BIND M4 × 5	
12	048030346	RETAINING RING, E3	1000001452	56	060300816	SCREW, BIND M3 × 8	
13	137999020	POLYESTER SLIDER		57	XC2562121	LOWER SHAFT B ASSY	
14	XZ0174021	SPRING		58	X52664020	LOWER SHAFT BUSHING	060148
15	XC7835051	HORIZONTAL FEED SHAFT		59	X51383020	WASHER,THRUST	060148
16	048050346	RETAINING RING, E5	1000001452	60	048060346	RETAINING RING, E6	1000001452
17	X50546020	WASHER,THRUST	060148	61	137768121	SET SCREW COLLAR	060148
18	XC8195051	SHAFT STOPPER PLATE		62	014400432	SET SCREW, SOCKET (CP) M4 × 4	
19	130676121	SET SCREW COLLAR	060148	63	XC2566021	BUSHING SUPPORTER A	
20	XC2527121	FEED ADJUSTER	1000000154	64	XC2567021	BUSHING PRESSER A	
21	XC2529020	F GEAR		65	060401616	SCREW, BIND M4 × 16	
22	XC2530021	SPRING		66	XC7872151	NEEDLE PLATE A	
23	137713020	POLYESTER SLIDER	060148	67	XC9728051	STOPPER PLATE	
24	XC2531021	SPRING		68	XC2571021	F GEAR STOPPER PLATE	
25	XC2532021	FPM HOLDER ASSY		69	060260316	SCREW, BIND M2.6 × 3	
26	XC2534021	MOTOR,PULSE:F SMJ35-4840-C		70	XE1488001	NEEDLE PLATE B SUPPORT PLATE	060162
27	XC2587020	RUBBER		71	X50487021	SCREW M4	1000010447
28	060300516	SCREW, BIND M3 × 5		72	XC2572021	DROP KNOB	
29	XC3338021	SCREW3 × 8	060148	73	XC2573051	SLIDE SHAFT B	
30	018402533	BOLT,SOCKET M4 × 25	1000002623	74	XC2574021	SPRING PLATE	
31	XC2537021	SPRING		75	X53169020	BAND	060148
32	XC2538021	SPRING		76	XC9727051	NEEDLE PLATE A ASSY	1000001116
33	XC2539021	BUSHING SUPPORTER ASSY		77	XE1235001	FEED SUPPLY UNIT ASSY NF1D (NX450, NX450Q)	
34	060400616	SCREW, BIND M4 × 6			XE1235002	FEED SUPPLY UNIT ASSY NF1D (NV400)	
35	XC2542021	BUSHING PRESSER B					
36	060300516	SCREW, BIND M3 × 5					
37	XC3941021	VERTICAL ADJUSTER SCREW ASSY	060148				
38	XC2546021	M5 NUT	060148				
39	XC2547021	SPRING					
40	XC8361021	VERTICAL FEED SHAFT					
41	XC2550021	SPRING					
42	XC2551020	VERTICAL LEVER					
43	XC2552021	SET SCREW COLLAR					
44	014400432	SET SCREW, SOCKET (CP) M4 × 4					





Service Information

	MODEL	Contents for Change	PCI No.
1	NV400,NX450.BLDC2,NX450Q	<p>Changed the shape of the indication plate for the measures of the aperture of the switch.</p> <p style="text-align: center;">↓</p> <p>Please order the following part from the next time. XE1641001 INDICATION PLATE NF1D</p>	HsPn060154
2	NV200,NV200Q,NV400,NV400SE,NV600,NX250,NX450,NX450Q,NX600,NX600PACESETTER,NX600INNOV-IS,NX650,NX650Q,NX200,NX200LE,NX200QE,NX200PACESETTER,NX200INNOV-IS,NX400,NX400LE,NX400Q,NX400PACESETTER,NX400INNOV-IS,BLQC,BLCC2,BLQC2,BLDC2,BLCC,BLDC,PC210,PC420,M412,S62,M414	<p>Changed the kind of the screw to widen a margin of the quantity of the adjustment of the base plate.</p> <p>Object Part : XA4687021 ADJUSTING SCREW ASSY (before a change)</p> <p style="text-align: center;">↓</p> <p>Please order the following part from the next time. Object Part : XE1973001 ADJUSTING SCREW ASSY (after a change)</p>	HsPn060254
3	NV200,NV200Q,NV400,NV400SE,NV600,NX250,NX450,NX450Q,NX600,NX600PACESETTER,NX600INNOV-IS,NX650,NX650Q,NX200,NX200LE,NX200QE,NX200PACESETTER,NX200INNOV-IS,NX400,NX400LE,NX400Q,NX400PACESETTER,NX400INNOV-IS,BLQC,BLCC2,BLQC2,BLDC2,BLCC,BLDC,PC210,PC420,M412,S62,M414	<p>Changed the shape to stabilize the operation of thread catching spring.</p> <p style="text-align: center;">↓</p> <p>Please order the following part from the next time. XC2648121 THREAD CATCHING SPRING CASE</p>	HsPn070246
4	NV200,NV200Q,NV400,NV400SE,NV600,NX250,NX450,NX450Q,NX600,NX600PACESETTER,NX600INNOV-IS,NX650,NX650Q,NX200,NX200LE,NX200QE,NX200PACESETTER,NX200INNOV-IS,NX400,NX400LE,NX400Q,NX400PACESETTER,NX400INNOV-IS,BLQC,BLCC2,BLQC2,BLDC2,BLCC,BLDC,PC210,PC420,M412,S62,M414	<p>Add the washer (X53330020) between the needle bar crank and the needle bar crank rod to widen a margin for the seizing.</p> <p style="text-align: center;">↓</p>  <p style="color: red; border: 1px solid red; padding: 5px; display: inline-block;">Add the washer (X53330020) to here.</p>	HsPn070290

brother®

NX450/NX450Q/NV400/NV400SE/NV350SE
13F06HF882U22

07. 2006.
07. 2009.