



Home Embroidery Machine

PARTS REFERENCE LIST

MODEL: NV800E
NV850E

CONFIDENTIAL

©2015 Brother Industries, Ltd.
All rights reserved.

Published: Jan.,2015
Revised: Feb.,2018

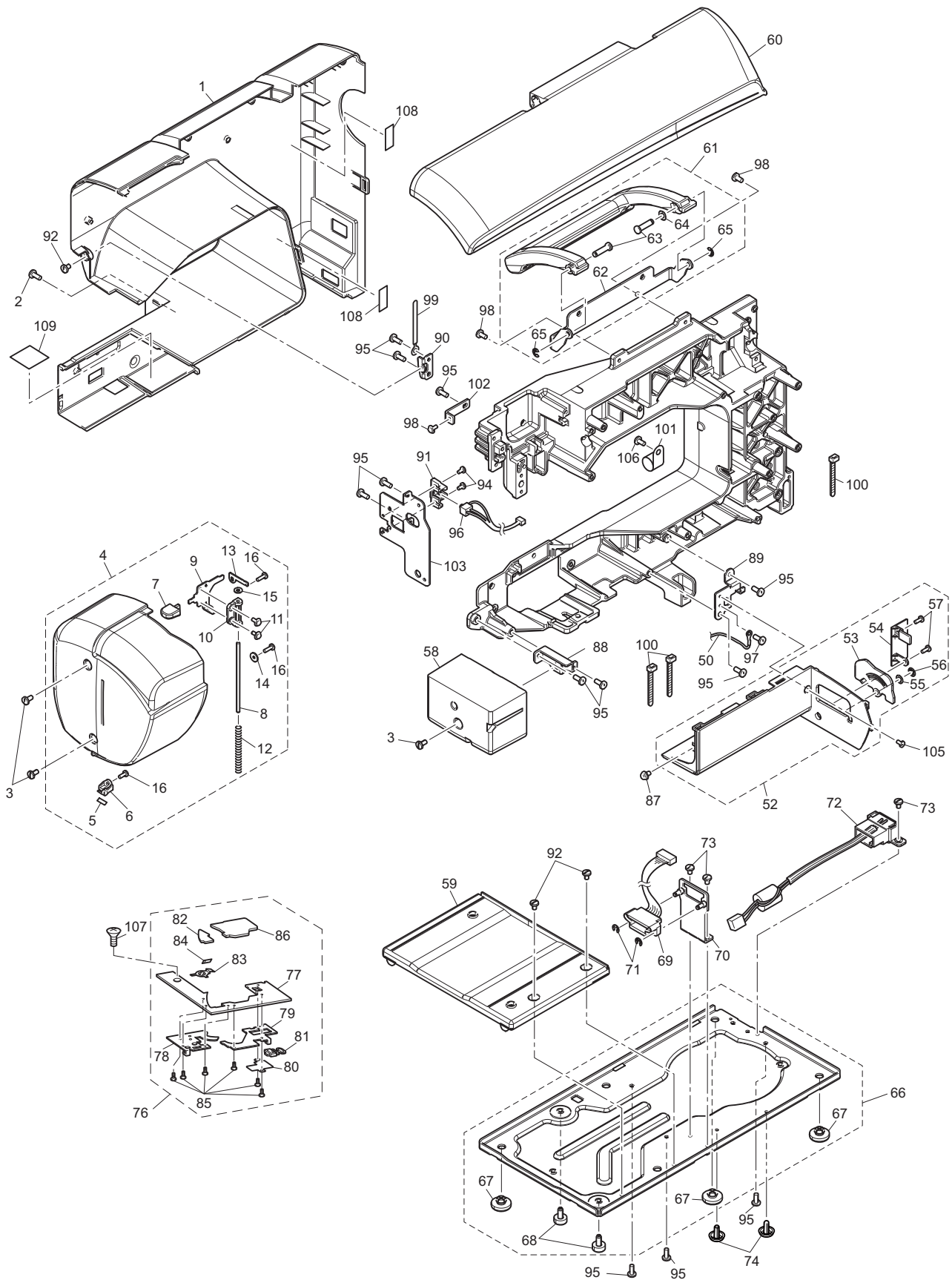
CONTENTS

(1) MAIN FRAME / COVER	2
(2) UPPER SHAFT / NEEDLE BAR / PRESSER FOOT UNIT ...	6
(3) FEED / SIDE FEED / THREAD CUTTING UNIT	8
(4) BOBBIN WINDING MECHANISM.....	10
(5) NEEDLE THREADING MECHANISM	12
(6) ELECTRIC PARTS / MAIN MOTOR UNIT	14
(7) EMBROIDERY UNIT	16
(8) ACCESSORY PARTS	20
(9) USER MANUAL / PACKAGE.....	22
NEEDLE-PRESSER MODULE.....	24
FEED MODULE	28
THREAD CUTTER MODULE	30
SPARE PARTS.....	32
INFORMATION.....	34

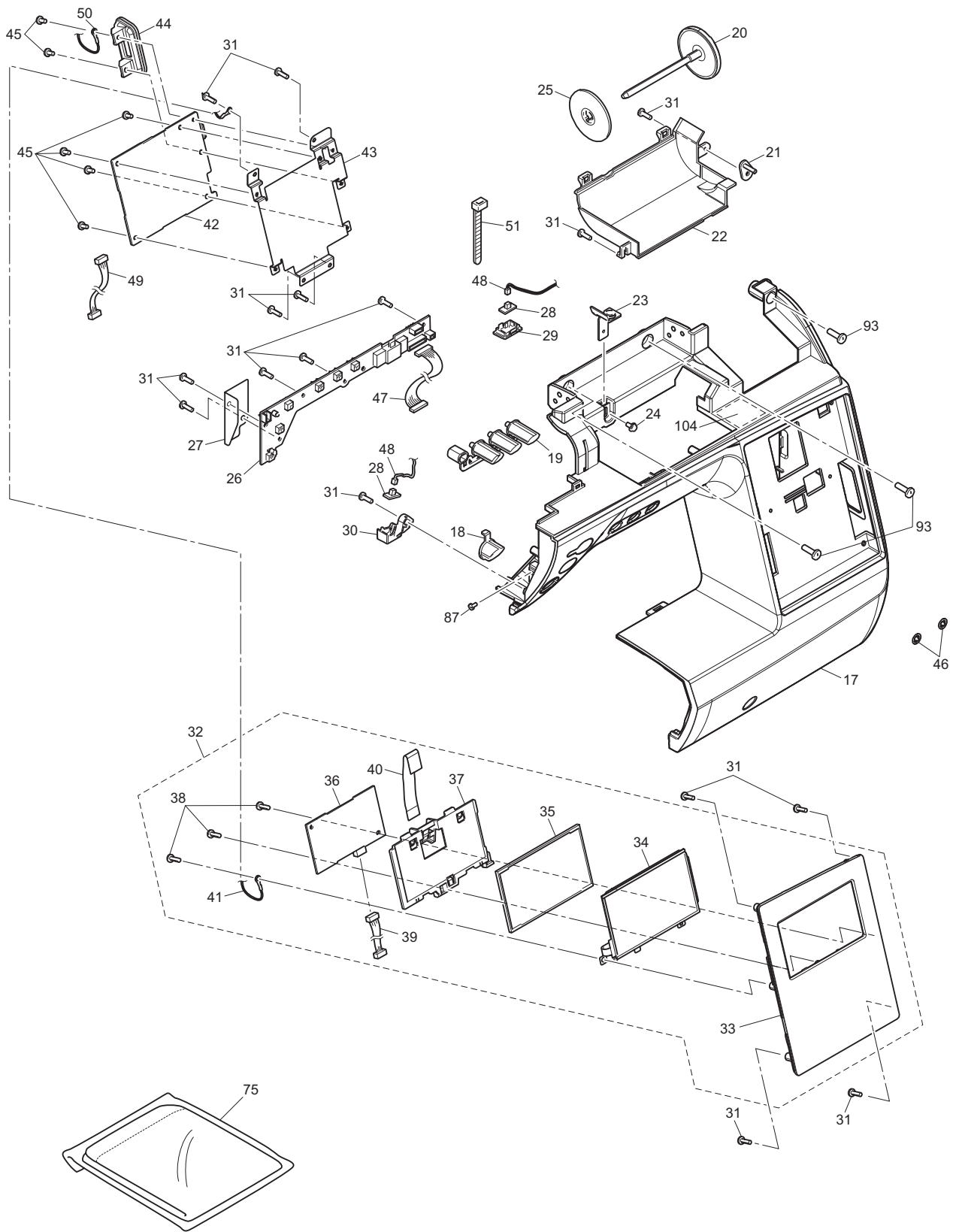
Note on parts:

We keep performance parts for this sewing machine for at least 8 years after this model is discontinued. Performance parts are the necessary parts to maintain the function of the sewing machine.

(1) MAIN FRAME / COVER



(1) MAIN FRAME / COVER



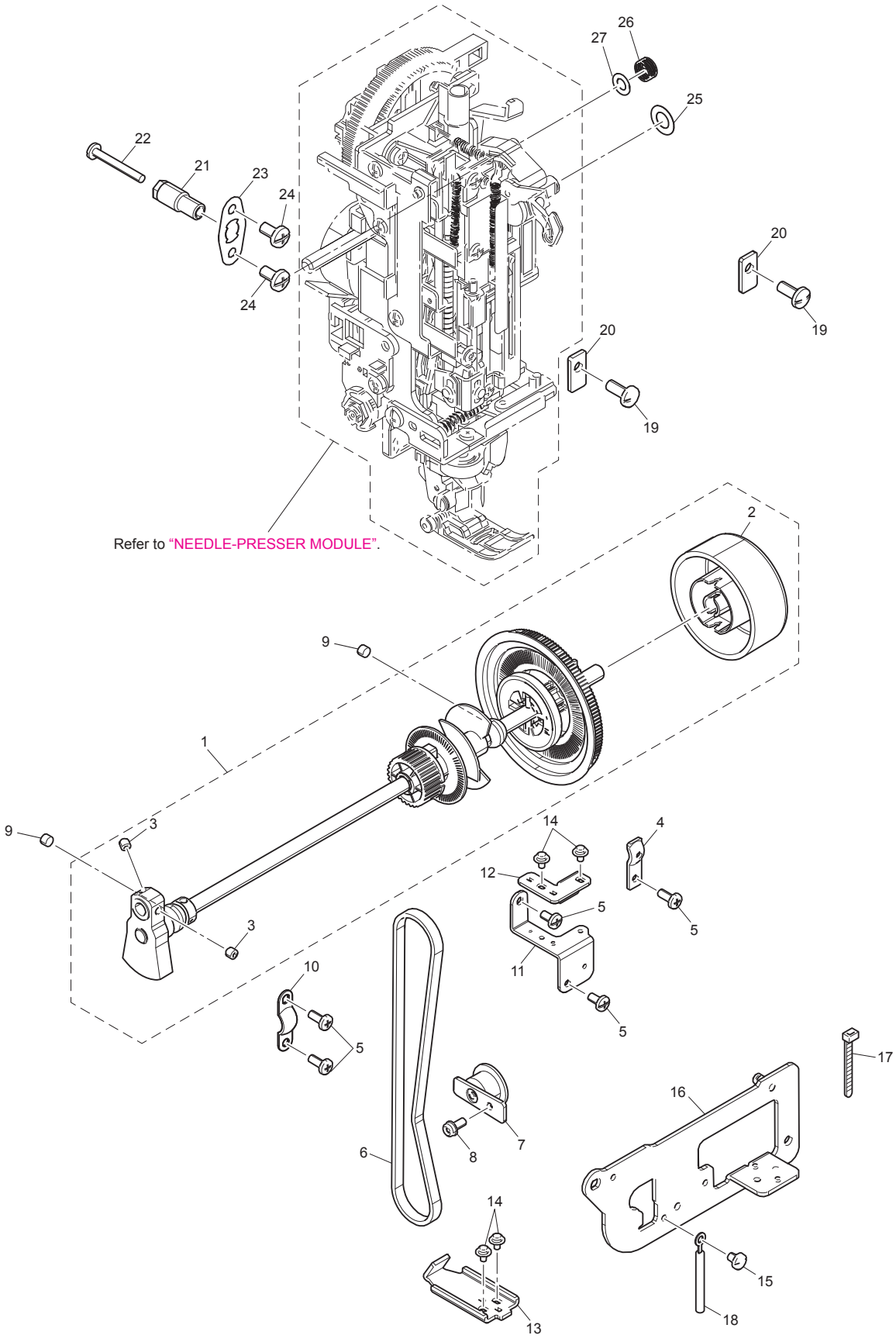
(1) MAIN FRAME / COVER

No.	CODE	NAME	REMARKS	No.	CODE	NAME	REMARKS
1	XF9034001	MATERIAL OF REAR COVER		39	XF9390001	LEAD WIRE ASSY ELECSW-LCD R	
2	XC7568051	SCREW, PAN(S/P WASHER)M4X14		40	XF9388001	FLEXIBLE FLAT CABLE:SML2CD-24	
3	XC7566051	SCREW, PAN(S/P WASHER)M4X8		41	XG0284001	LEAD WIRE ASSY NEXTF LCD FRAME	
4	XF8533001	FACE PLATE ASSY		42	XG1828001	PANEL PCB SUPPLY ASSY EMB/B_EU (NV800E)	
5	X80321021	NT LOWER THREAD CUTTER			XG9005001	PANEL PCB SUPPLY ASSY COM (NV850E)	
6	XF8545001	FACE PLATE CUTTER HOLDER		43	XF8632001	BOARD PLATE	
7	XF8546001	NEEDLE THREAD LEVER KNOB		44	XF8633001	USB COVER	
8	XC9386051	NEEDLE THREAD LEVER SHAFT		45	060300616	SCREW BIND M3X6	
9	XF8548001	NEEDLE THREAD LEVER		46	146200021	RETAINING RING, CS4	
10	XD0119050	NEEDLE THREAD LEVER SLIDER		47	XF9384001	LEAD WIRE ASSY SSVR NEXT F	
11	XA8390021	SCREW		48	XF9385001	LEAD WIRE ASSY LED NEXT F	
12	XC9388051	THREAD THROUGH LEVER SPRING		49	XF9387001	LEAD WIRE ASSY MAIN-PANEL	
13	XA6320050	SHAFT PRESSER PLATE		50	XF9445001	LEAD WIRE ASSY PANEL USB FG	
14	XA5525051	WASHER,PLAIN		51	X53169020	BAND	
15	XC0508020	RUBBER WASHER		52	XF8634001	FREE ARM FRONT COVER ASSY	
16	085311016	TAPTITE BIND B M3X10		53	XF9480001	CONNECT COVER	
17	XF8554101	FRONT COVER		54	XF8636001	CONNECT COVER HOLDER	
18	XF8574001	SS BUTTON		55	137713020	POLYESTER SLIDER	
19	XF8583001	OPERATION BUTTON		56	146200021	RETAINING RING, CS4	
20	XG7610001	SPOOL PIN	1000055987	57	136681021	TAPTITE, BIND B M3X8	
21	XC9690051	SPOOL PIN HOLDER ASSY		58	XF8638101	FREE ARM COVER	1000055657
22	XF8590001	THREAD BOBBIN COVER		59	XF8651001	BASE PLATE COVER	
23	XC9693451	BOBBIN WINDER GUIDE ASSY		60	XF9726002	TOP COVER ASSY PRINTED (TUR, ESP, TKM, NV850E: RUS)	
24	XA8390021	SCREW			XG0289001	TOP COVER ASSY PRINTED (OTHER)	
25	XE1372001	SPOOL PRESSER C		61	XF8660001	HANDLE ASSY	
26	XF8950001	SSVR PCB ASSY NEXT FEMB		62	XF8665001	HANDLE HOLDER	
27	XF8591101	SSVR INSULATION SHEET	1000052299	63	XF8666001	HANDLE SHAFT	
28	XG5043001	LED PCB ASSY NEXT F1	1000054752	64	XF9413001	WAVE-SHAPE SPRING WASHER	
29	XF8592001	LED LAMP COVER		65	048040346	RETAINING RING E4	
30	XF8593001	LED LAMP COVER R		66	XF8669101	BASE PLATE ASSEMBLY	1000050543
31	085311016	TAPTITE BIND B M3X10		67	XA1805021	BASE RUBBER A	
32	XG1834001	LCD UNIT SUPPLY ASSY NV800E (NV800E)		68	XE1973001	ADJUSTING SCREW ASSY	
	XG9255001	LCD UNIT SUPPLY ASSY NV850E (NV850E)		69	XF9395001	LEAD WIRE ASSY MAIN-EMB UNIT	
33	XG1835001	PN PLATE SUPPLY ASSY NV800E (NV800E)		70	XF8682001	CONNECTOR HOLDER ASSY	
	XG9256001	PN PLATE SUPPLY ASSY NV850E (NV850E)		71	048030346	RETAINING RING E3	
34	XG1325001	TOUCH PANEL SUPPLY ASSY		72	XF9399101	LEAD WIRE ASSY INLET EU NEXT F (TKM, RUS)	
35	XG6798001	LCD SUPPLY ASSY	1000053942		XF9398201	LEAD WIRE ASSY INLET US NEXT F (OTHER)	1000051566
36	XF8985001	LCD RELAY PCB ASSY		73	060400616	SCREW BIND M4X6	
37	XF9558001	PANEL HOLDER LID		74	XF5650001	SCREW CAP	
38	085311016	TAPTITE BIND B M3X10		75	XF9531001	DUST COVER ASSY EMB BRO	

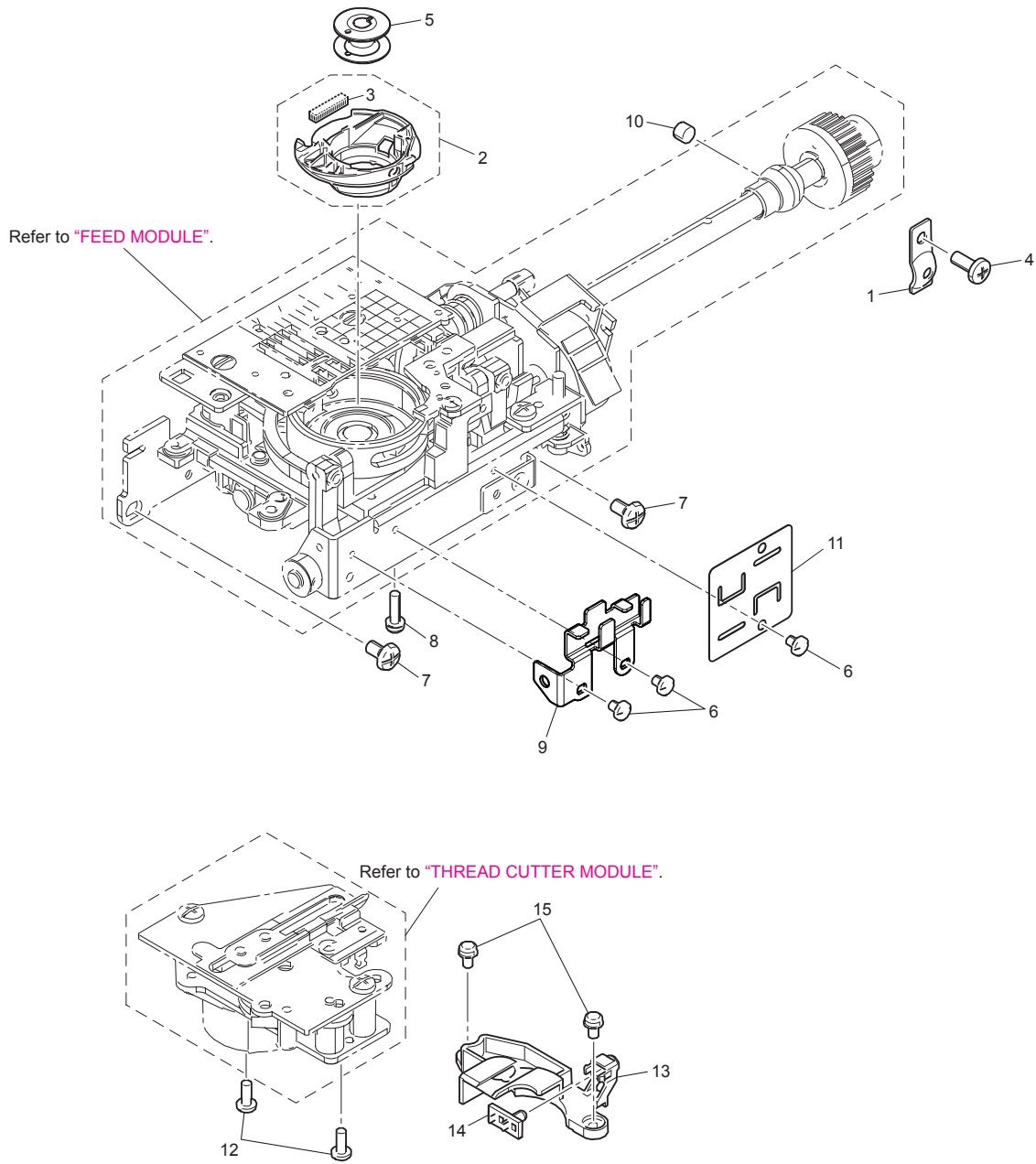
(1) MAIN FRAME / COVER

No.	CODE	NAME	REMARKS
76	XF9665001	NEEDLE PLATE B ASSY	
77	XC9705151	NEEDLE PLATE B	
78	XC9706051	LOWER THREAD GUIDE	
79	XC9707051	INNER ROTARY HOOK PLATE	
80	XG2896001	BUTTON CATCH PLATE (TUR, ESP, TKM, RUS)	
	XC9708151	BUTTON CATCH PLATE (OTHER)	
81	XC9709051	SLIDE BUTTON	
82	XE9410001	CUTTER COVER	
83	XD1461051	NEEDLE PLATE COVER SPRING	
84	X80321021	NT LOWER THREAD CUTTER	
85	060020316	SCREW BIND M2X3	
86	XG1887001	NEEDLE PLATE COVER ASSY	
87	0A6300606	SCREW PAN (T WASHER) M3X6	
88	XC9746151	FREE ARM PLATE	
89	XG0404001	FREE ARM FRONT COVER PLATE	
90	XF8694001	REAR COVER PLATE	
91	XF8695101	JACK CASE	
92	060400616	SCREW BIND M4X6	
93	085411416	TAPTITE BIND B M4X14	
94	0A4300806	SCREW PAN (S/P WASHER) M3X8	
95	X57908021	TAPTITE,BIND S M4X10	
96	XF9374001	2.5 PLUG LEAD WIRE ASSY	
97	060300416	SCREW BIND M3X4	
98	060400816	SCREW BIND M4X8	
99	XG0870001	COATING CLIP	
100	X53169020	BAND	
101	XG0393001	CORD CLAMP	
102	XG0917001	FACE PLATE HOLDER U PLATE	
103	XG1051001	FACE PLATE HOLDER U ASSY	
104	XG1971001	SPOOL THREAD GUIDE LABEL	
105	0A5300606	SCREW PAN (S/P WASHER) M3X6	
106	0A5401006	SCREW PAN (S/P WASHER) M4X10	
107	X50487021	SCREW M4	
108	XG2745001	VC SHEET	
109	XF1737001	SHEET D	1000056438

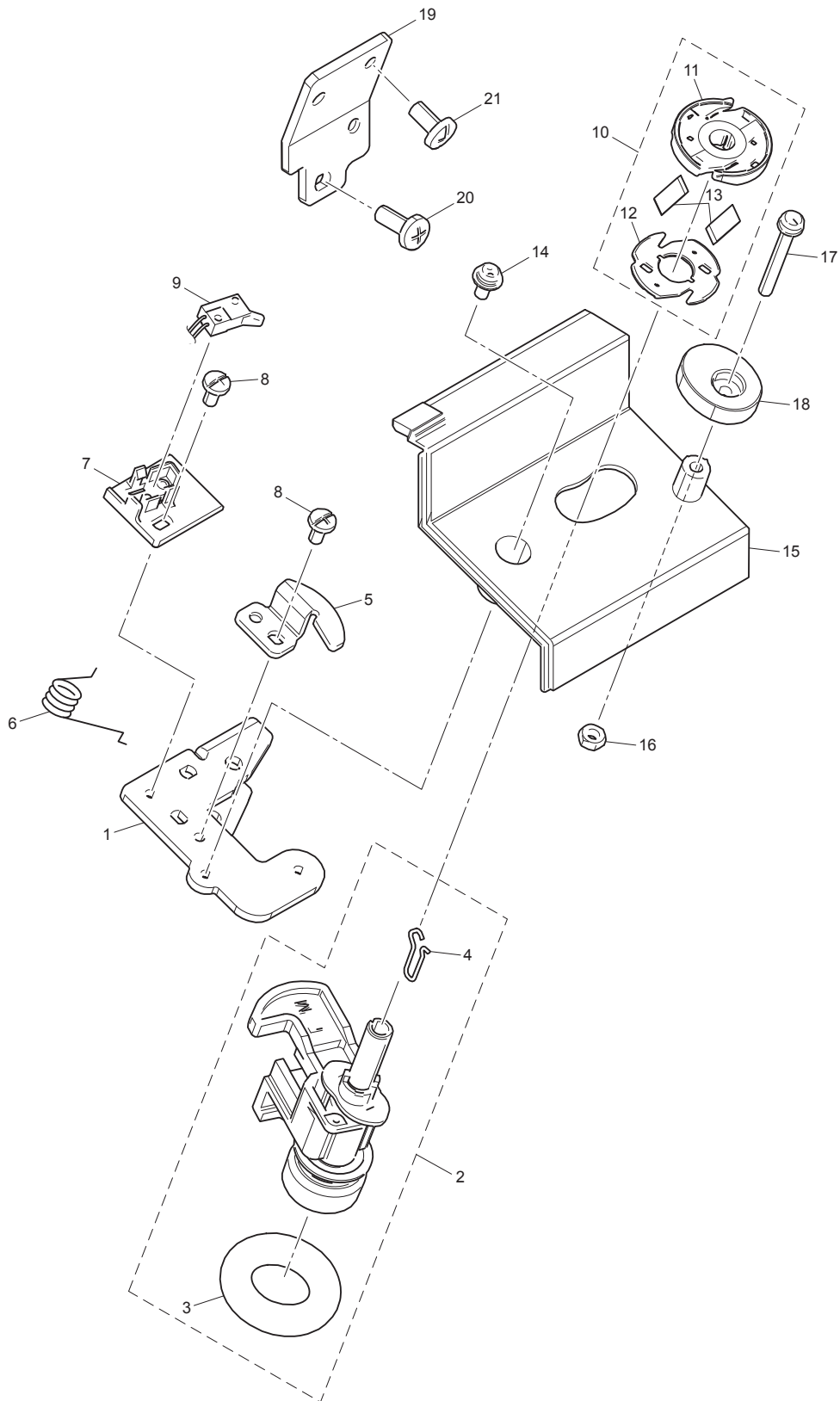
(2) UPPER SHAFT / NEEDLE BAR / PRESSER FOOT UNIT



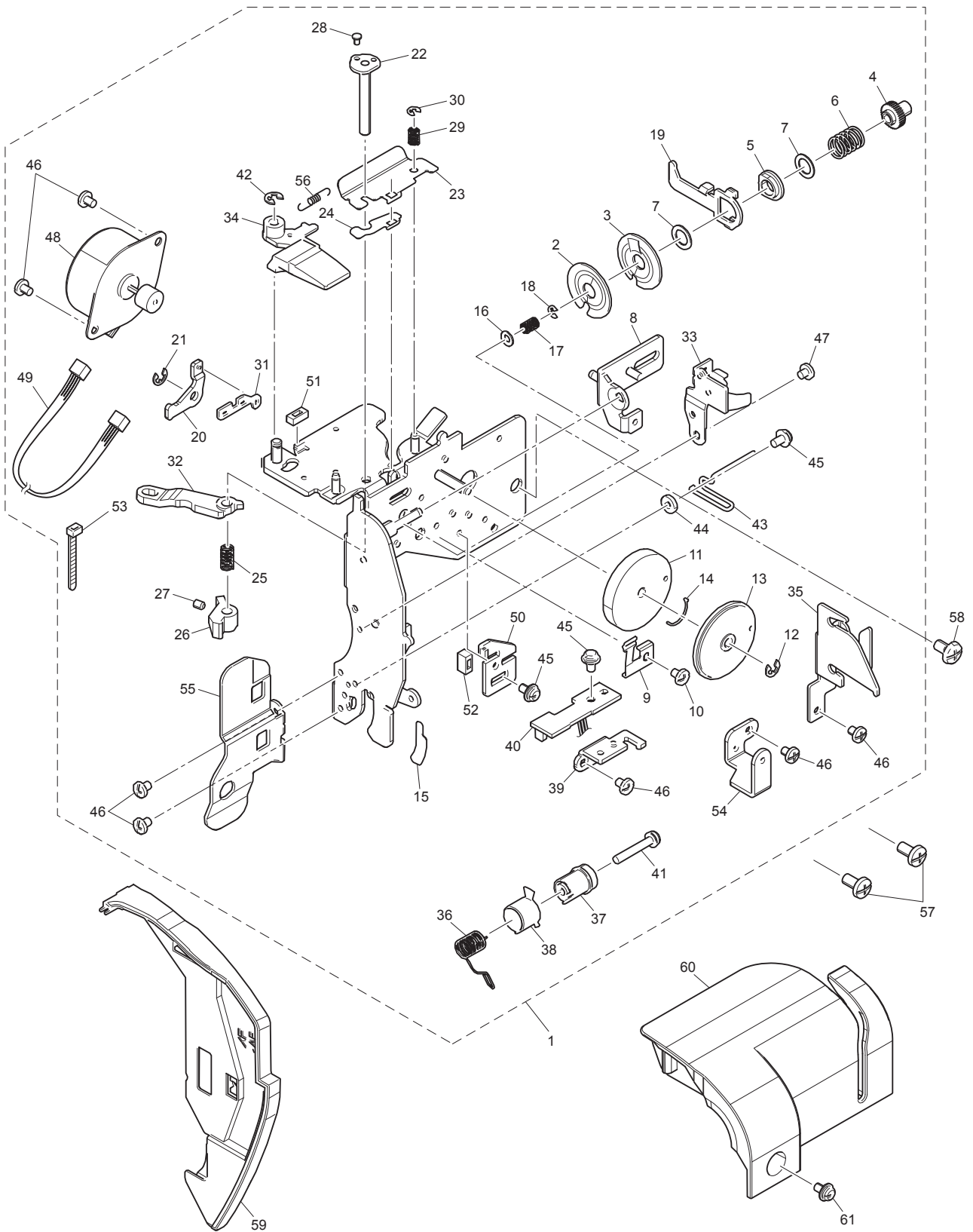
(3) FEED / THREAD CUTTING UNIT



(4) BOBBIN WINDING MECHANISM



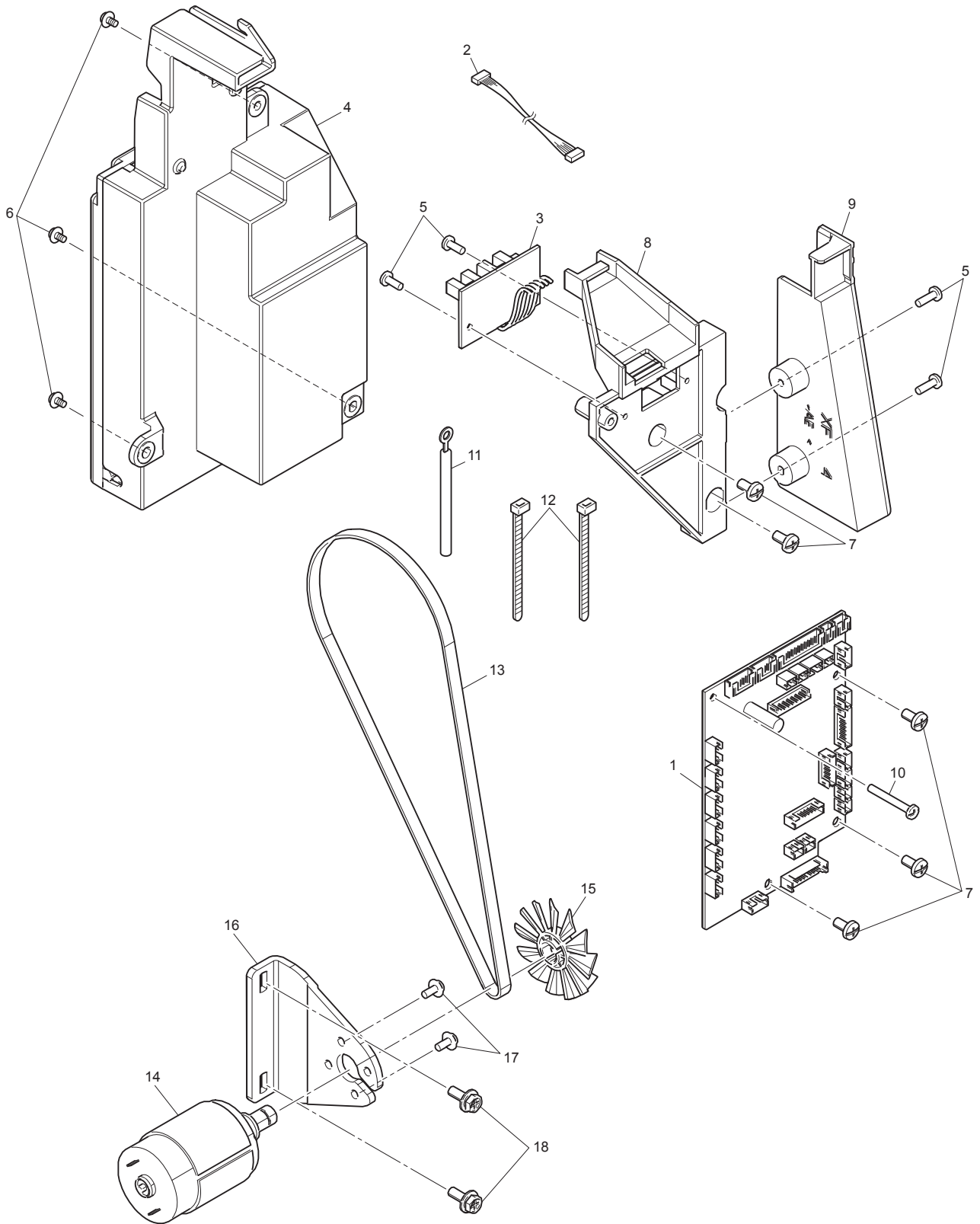
(5) NEEDLE THREADING MECHANISM



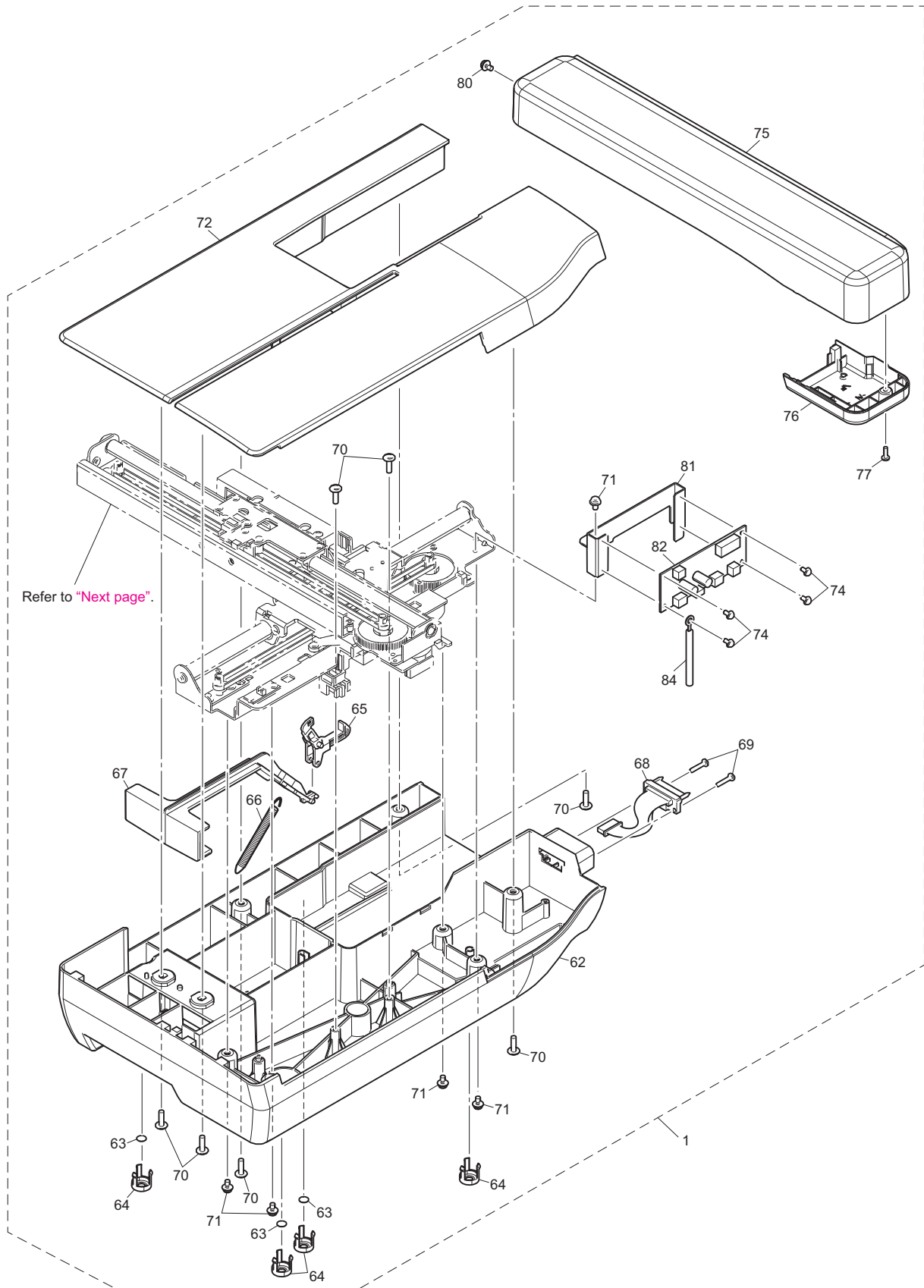
(5) NEEDLE THREADING MECHANISM

No.	CODE	NAME	REMARKS	No.	CODE	NAME	REMARKS
1	XG1334201	THREAD TENSION U SUPPLY ASSY	1000054399	45	XC7564021	SCREW PAN(S/P WASHER)M3X6	
2	XA0083151	TENSION DISC A		46	060300416	SCREW BIND M3X4	
3	XC2626151	TENSION DISC B		47	XC6055021	SCREW, BIND M3X3	
4	XF8877001	TENSION ADJUSTING SCREW		48	XG1449001	PULSE MOTOR:AT M35SP-9NK	
5	XA1388021	TENSION DISC WASHER		49	XF9380101	LEAD WIRE ASSY ATPM	
6	XA9900051	THREAD TENSIONSPRING		50	XF8892101	INITIAL ADJUSTING PLATE	
7	XD0573021	WASHER		51	XC3253051	RUBBER	
8	XF8880101	TENSION PLATE ASSY		52	XG1817001	RUBBER	
9	XF8882101	SPRING PLATE		53	X53169020	BAND	
10	060300416	SCREW BIND M3X4		54	XF8893001	COVER HOLDER	
11	XG1022001	THREAD TENSIONCAM		55	XG0730001	THREAD GUARD PLATE	
12	048030346	RETAINING RING E3		56	XG0747001	SHUTTER PULL SPRING	
13	XZ0170051	THREAD TENSION GEAR COVER		57	060400816	SCREW BIND M4X8	
14	X56323021	SPRING		58	XE1489001	STUD SCREW M4	
15	XA9935050	SPRING TAPE		59	XF8894001	THREAD GUARD COVER	
16	026030136	WASHER PLAIN S 3		60	XF8896101	FRONT THREAD GUARD COVER	
17	X57605051	SPRING		61	0A5300606	SCREW PAN (S/P WASHER) M3X6	
18	048020346	RETAINING RING E2					
19	XC9444151	DISK WASHER HOLDER					
20	XG0776001	TENSION RELEASER LINK					
21	048030346	RETAINING RING E3					
22	XC2638151	TENSION PRESSURE ASSY					
23	XC9115151	TENSION PLATE					
24	XC7927151	SPACER					
25	XG0732001	SPRING					
26	XC2640051	TENSION RELEASE CAM					
27	012300432	SET SCREW SOCKET (FT) M3X4					
28	X57363051	POWER LOCK 2X3					
29	X57605051	SPRING					
30	048020346	RETAINING RING E2					
31	XG0777001	SHUTTER RELEASER LINK					
32	XG0778001	THREAD SHUTTER LINK					
33	XF9049101	PLATE ASSEMBLY					
34	XF8888101	THREAD GUIDE SHUTTER	1000057704				
35	XF8889001	THREAD GUIDE					
36	XG3103001	THREAD TAKE UP SPRING	1000054399				
37	XD0377151	THREAD CATCHING SPRING CASE FE					
38	XE5731001	THREAD CUTTING SHUTTER					
39	XD0379051	THREAD SENSOR HOLDER FE					
40	XF8944201	UPTHREAD PCB ASSY NEXT F	1000049610				
41	0A4302006	SCREW PAN (S/P WASHER) M3X20	1000053119				
42	048030346	RETAINING RING E3					
43	XC7931050	THREAD GUIDE WIRE					
44	XA9996051	WASHER,PLAIN					

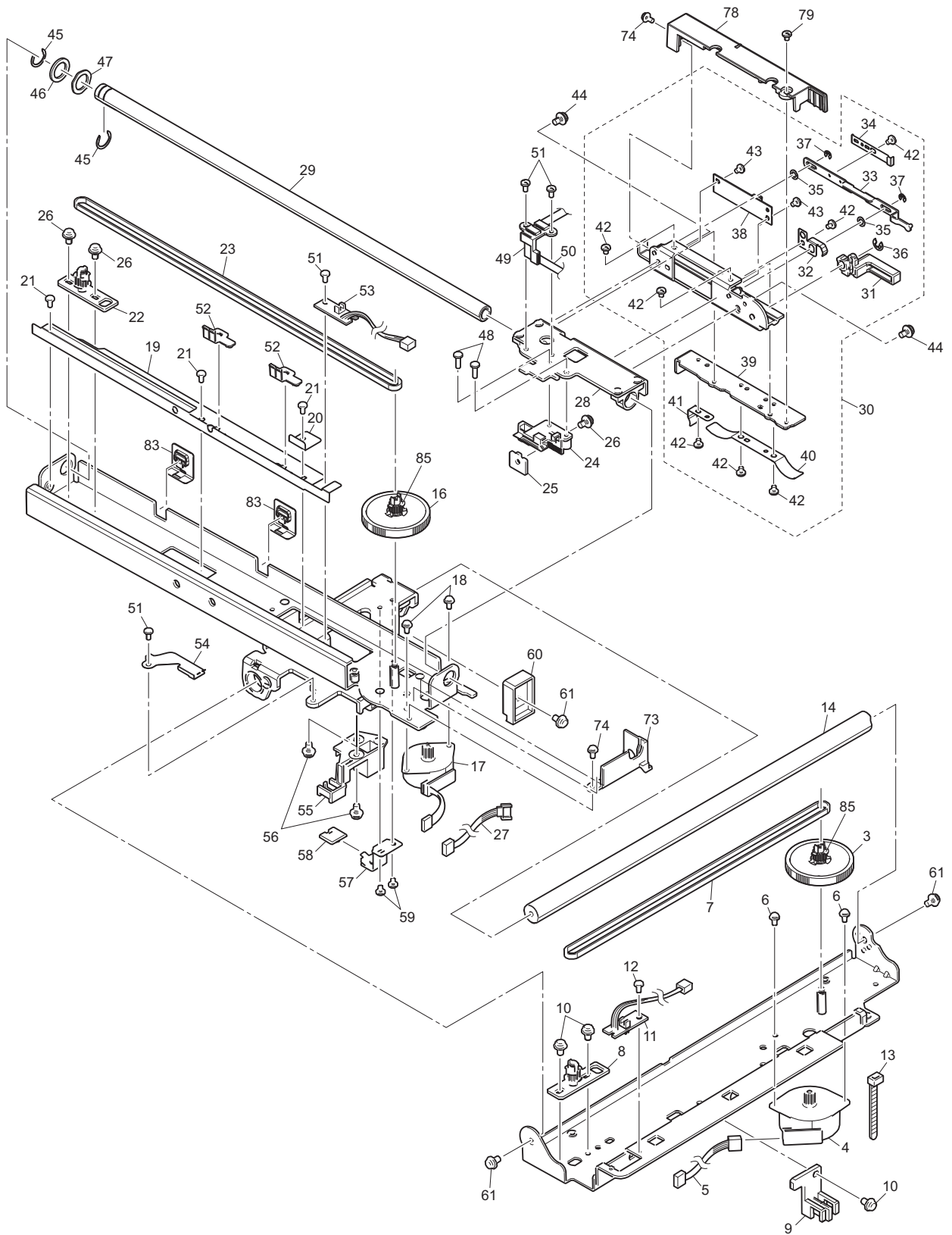
(6) ELECTRIC PARTS / MAIN MOTOR UNIT



(7) EMBROIDERY UNIT



(7) EMBROIDERY UNIT



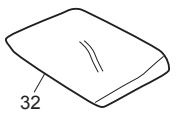
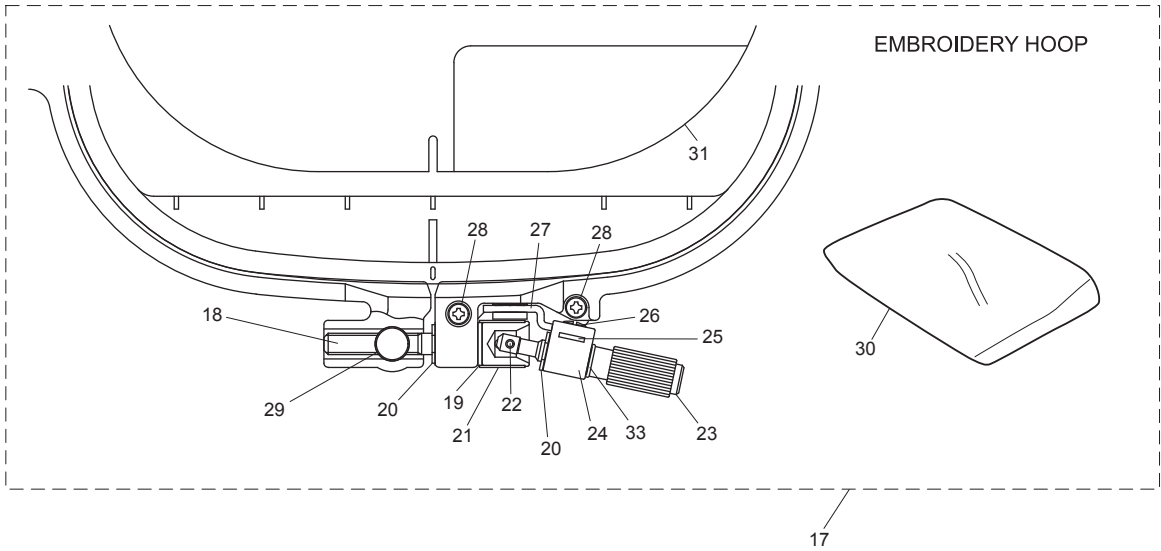
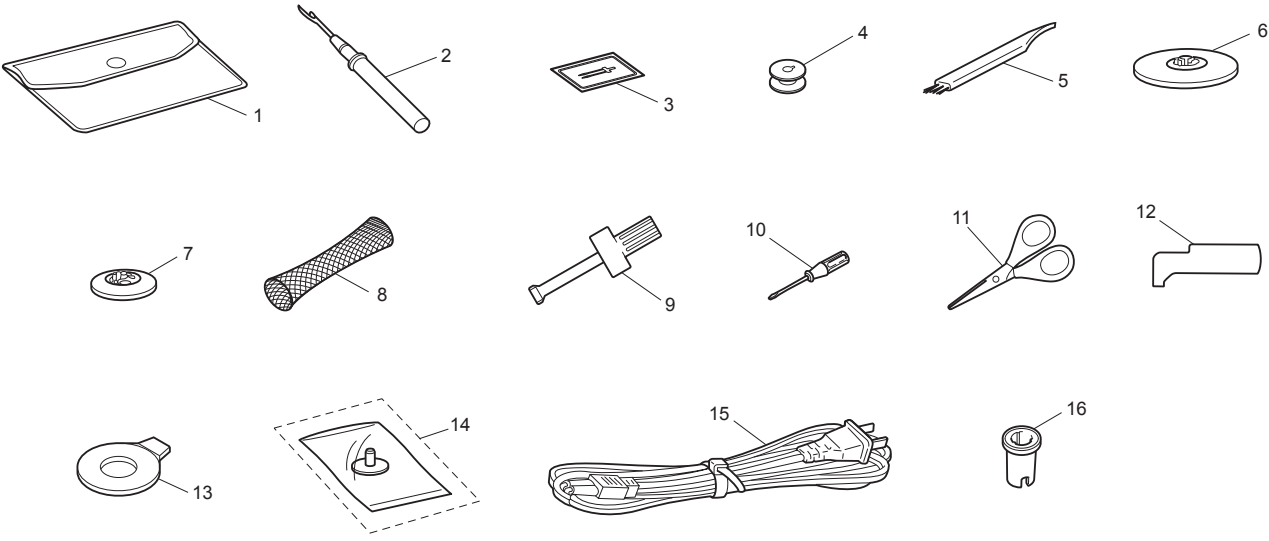
(7) EMBROIDERY UNIT

No.	CODE	NAME	REMARKS	No.	CODE	NAME	REMARKS
1	XG1336001	EMBROIDERY UNIT SUPPLY ASSY		45	XC8080051	STOP RING 10.69	
2	XG2307004	WASHER	1000052431	46	XC8081051	WASHER	
3	XC8039050	DRIVING GEAR	1000052431	47	XC8082050	WASHER,SPRING 12	
4	XC8298051	ASSY:XY PULSE MOTOR		48	085301017	TAPTITE BIND P M3X10	
5	XF9471001	LEAD WIRE ASSY XPM		49	XC8084050	FFC SUPPORT	
6	XA8390021	SCREW		50	XF9470001	FLEXIBLE FLAT CABLE:SML2CD-6	
7	XC8041051	TIMING BELT 40S2M530		51	060300616	SCREW BIND M3X6	
8	XC8042051	TENSION PULLEY ASSY		52	XC8085050	CORD CLIP	
9	XF8918001	E CODE SUPPORTER		53	XF9759001	Y SENSOR PCB ASSY NEXT F	
10	XC7566051	SCREW, PAN(S/P WASHER)M4X8		54	XC8086050	CODE GRIP	
11	XF9758001	X SENSOR PCB ASSY NEXT F		55	XC8087151	X SLIDER	
12	060300616	SCREW BIND M3X6		56	XC7566051	SCREW, PAN(S/P WASHER)M4X8	
13	X53169020	BAND		57	XC8898051	X GUIDE SHAFT PRESSER PLATE	
14	XC8050051	X GUIDE SHAFT		58	XC8899050	X GUIDE SHAFT PRESSER	
15	XG2307004	WASHER	1000052431	59	060300416	SCREW BIND M3X4	
16	XC8039050	DRIVING GEAR	1000052431	60	XC8088051	X BELT PRESSER	
17	XF9372001	PULSE MOTOR:Y SMJ35-4823-GP		61	XC7566051	SCREW, PAN(S/P WASHER)M4X8	
18	XA8390021	SCREW		62	XF8925101	ES BASE COVER ASSY	
19	XC9478050	FFC CODE GUIDE		63	X59853020	RUBBER CUSHION	
20	XC8586050	FFC CODE SUPPORTER		64	XC8094051	RUBBER CUSHION COVER	
21	060300616	SCREW BIND M3X6		65	XC8095051	LOCK FINGER	
22	XC8042051	TENSION PULLEY ASSY		66	XC8096051	SPRING	
23	XC9479051	TIMING BELT 40S2M660		67	XF8821001	LOCK RELEASE LEVER	
24	XC8061051	Y SLIDER		68	XF9394001	LEAD WIRE ASSY EMB UNIT-MAIN	
25	XC8062051	YT BELT PRESSER PLATE		69	085301017	TAPTITE BIND P M3X10	
26	XC7566051	SCREW, PAN(S/P WASHER)M4X8		70	087411416	TAPTITE CUP B M4X14	
27	XG0568001	LEAD WIRE ASSY YPM RELAY NEXT F		71	XC7566051	SCREW, PAN(S/P WASHER)M4X8	
28	XC8065251	Y CARRIAGE ASSY		72	XF8927001	ES MAIN COVER ASSY	
29	XC9482051	Y GUIDE SHAFT		73	XF9461001	XC SUB COVER	
30	XF9120001	E HOOP STAY PLATE ASSY		74	XA8390021	SCREW	
31	XE3768001	E HOOP LOCK LEVER		75	XF8929001	X CARRIAGE COVER	
32	XE3757101	E HOOP LOCK LEVER SPRING		76	XF8931001	YPM COVER	
33	XG0396001	LOCK SW PLATE SUB ASSY		77	085301017	TAPTITE BIND P M3X10	
34	XE3766001	HOOP LOCK SW PUSH PLATE		78	XC8089151	E HOOP STAY COVER	
35	XE3758001	POLYESTER SLIDER		79	060300416	SCREW BIND M3X4	
36	048040346	RETAINING RING E4		80	0A6400806	SCREW PAN (T WASHER) M4X8	
37	048025346	RETAINING RING E2.5		81	XF8932001	RELAY PCB HOLDER	
38	XE3772101	FRAME PCB ASSY		82	XF8984101	EMB RELAY PCB ASSY NEXT F	1000055666
39	XE3756001	E HOOP PRESSURE PLATE		83	XE3795001	HOLE COVER	
40	XG9762001	E HOOP PRESSURE SPRING A	1000057954	84	137947001	CLIP	
41	XC8079051	E HOOP PRESSURE SPRING C		85	XC8038050	DRIVING PULLEY	1000052431
42	060300416	SCREW BIND M3X4					
43	XA8390021	SCREW					
44	060400616	SCREW BIND M4X6					

(7) EMBROIDERY UNIT

Blank page

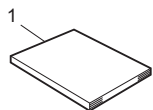
(8) ACCESSORY PARTS



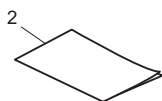
(8) ACCESSORY PARTS

No.	CODE	NAME	REMARKS
1	XC4487021	ACCESSORY BAG	
2	XF4967001	RIPPER ASSY	
3	X59535051	NEEDLE SET	
4	ACC	BOBBIN	
5	X59476051	CLEANING BRUSH	
6	130012024	SPOOL PRESSER A	
7	130013124	SPOOL PRESSER B	
8	XA5523020	NET	
9	XC4237021	DRIVER ASSY	
10	X55468051	SCREW DRIVER S	
11	XC1807121	SCISSORS	
12	XG0918001	L DRIVER	
13	XC1074051	DISC-SHAPED SCREWDRIVER	
14	XF5048001	BOBBIN GUIDE SET	
15	X59354221	POWER SUPPLY CORD BS (UK&IRE, MYS, VNM&IDN&PHL&SGP&THA, IND, AUS&NZL, UAE)	1000051234
	XC9548021	POWER SUPPLY CORD:SAA-LF (AUS&NZL)	
	XA0070121	POWER SUPPLY CORD (OTHER)	1000051234
16	XA5752121	SPOOL CAP (SMALL)	
17	XC9494151	EMBROIDERY HOOP ASSY 160D6	1000051571
	XC8132051	EMBROIDERY HOOP ASSY 100D6	1000054510
18	XC8118051	THUMB SCREW	
19	026050136	WASHER PLAIN S 5	1000051512
20	048040343	RETAINING RING E4	
21	XC8119051	RING	
22	XC8120051	KNOB PIN	
23	XC8121051	KNOB SHAFT	
24	XC8122051	KNOB HOLDER	
25	XC8123051	KNOB FIXED PLATE	
26	060260416	SCREW BIND M2.6X4	
27	XC8124051	HOLDER ASSY	
28	0A4260806	SCREW PAN (S/P WASHER) M2.6X8	
29	XC8129051	OUTER HOOP NUT	
30	XC8146051	BAG 300X580H	
31	XC9498051	EMBROIDERY SHEET 160D6 ASSY	
	XC8357051	EMBROIDERY SHEET 100D6 ASSY	1000054510
32	X60838051	BAG.70X110C	
33	XG4525001	BEND WASHER	1000051571

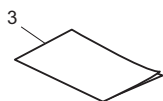
(9) USER MANUAL / PACKAGE



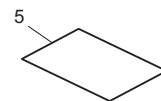
(INSTRUCTION BOOK)



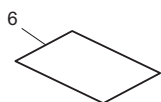
(QUICK REFERENCE
GUIDE)



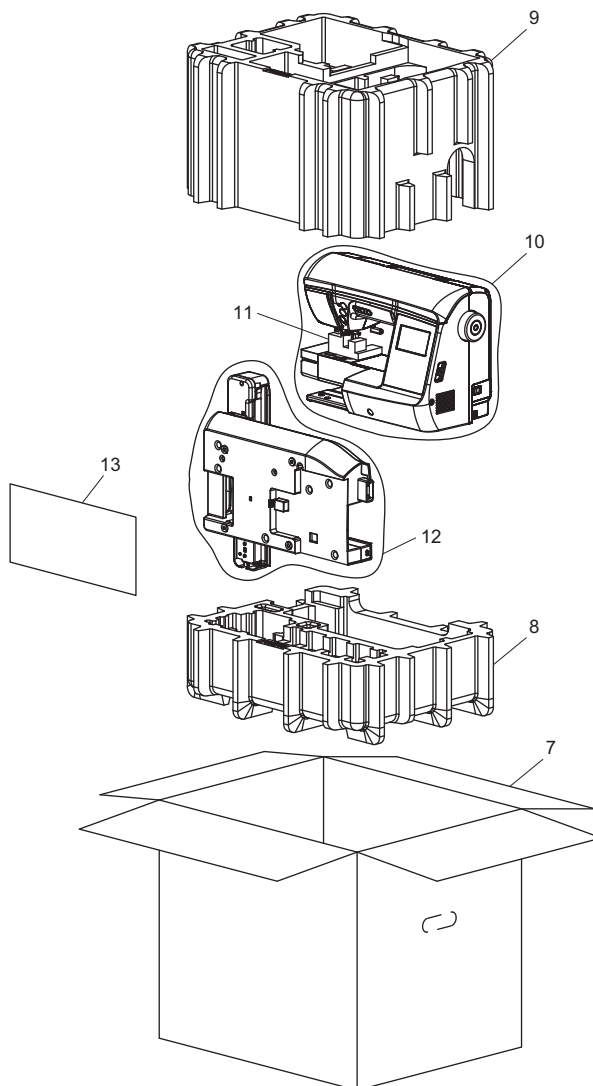
(PATTERN LIST)



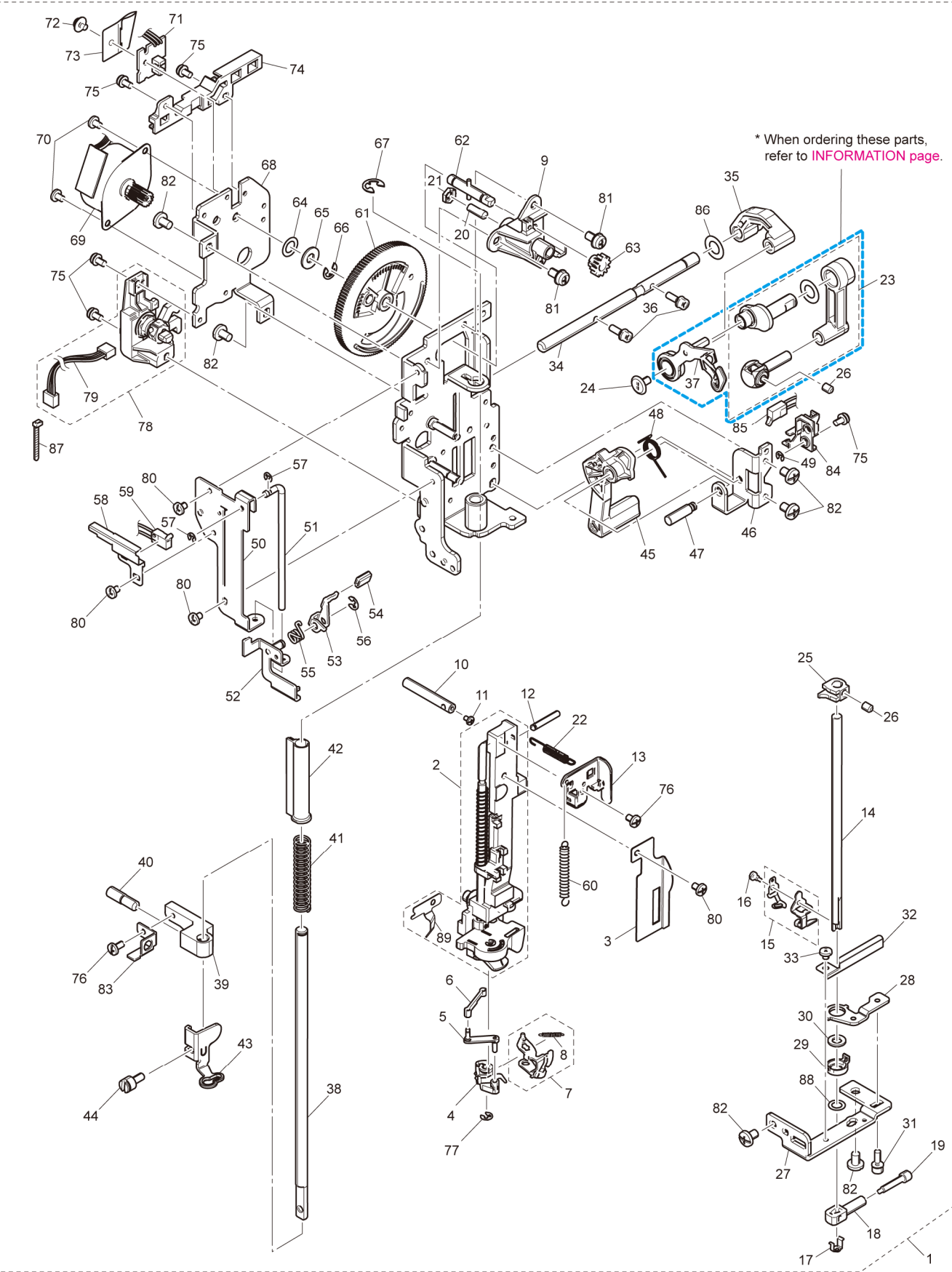
(INSERTION WEEE)



(UKRAINIAN ROHS
INSERTION)



NEEDLE-PRESSER MODULE

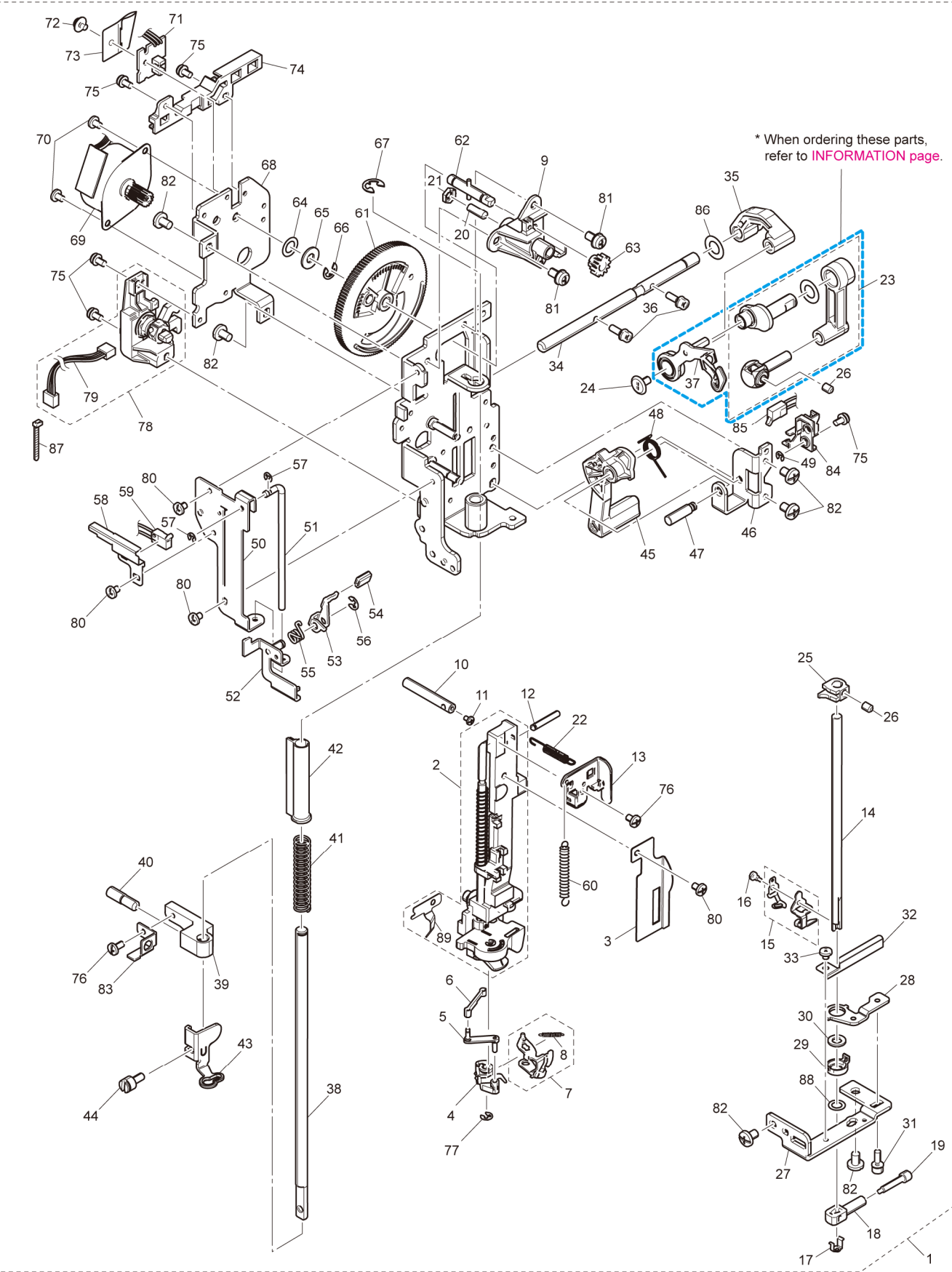


NEEDLE-PRESSER MODULE

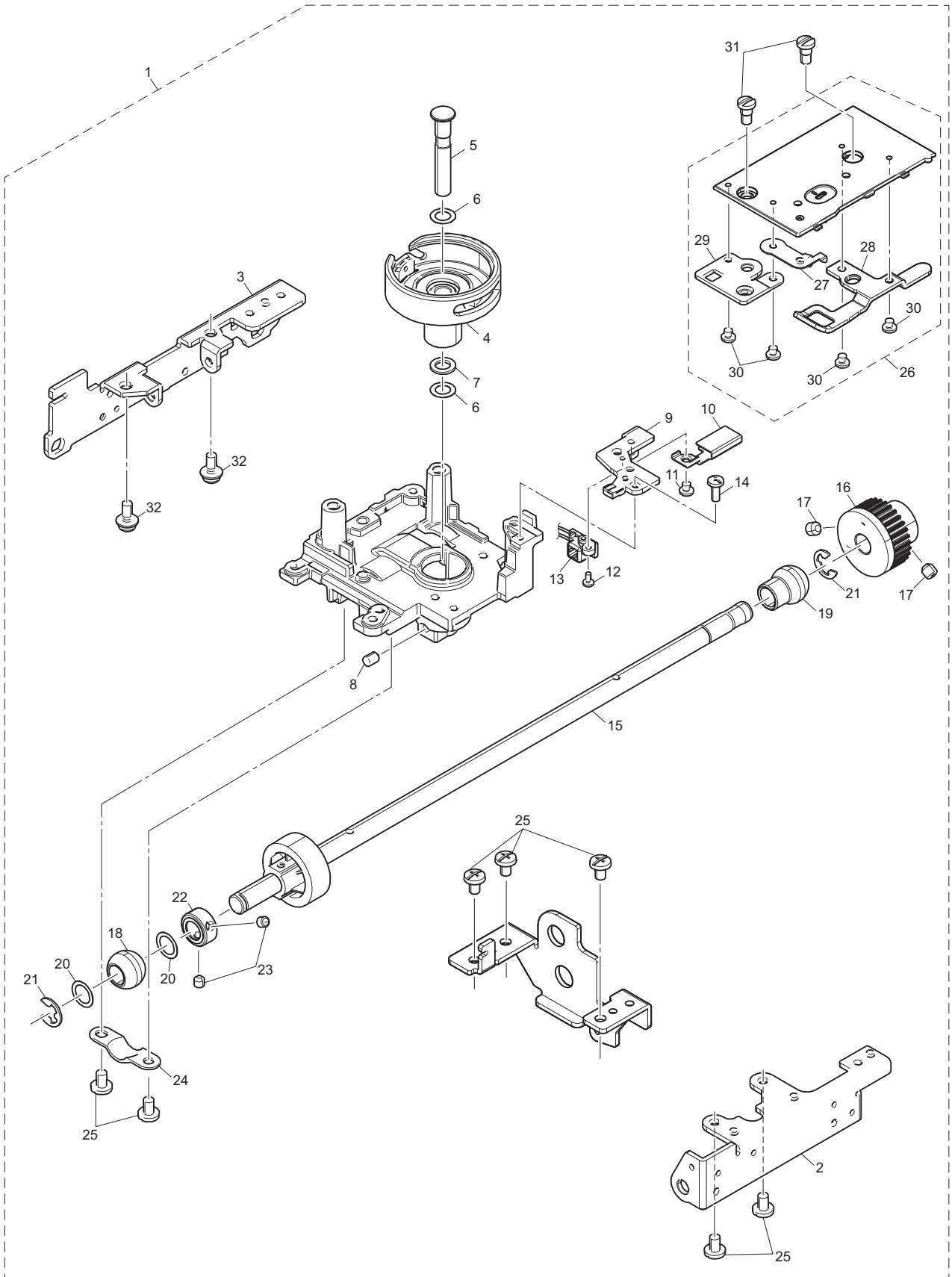
No.	CODE	NAME	REMARKS	No.	CODE	NAME	REMARKS
1	XG1829101	NEEDLE UNIT SUPPLY ASSY EMB	1000051556	43	XD0313051	U PRESSER FOOT	
2	XF9473001	NEEDLE BAR SUPPORTER ASSY		44	XG1343001	SCREW SM3.57-40X8	
3	XZ0417150	GUARD PLATE		45	XF8754001	PRESSER FOOT LIFTER	
4	XD1550351	THREADER HOOK ASSY		46	XF8755001	PRESSER FOOT LIFTER HOLDER	
5	XD1546051	LINK A ASSY		47	XF8756001	PRESSER FOOT LIFTER SHAFT	
6	XG5716001	LINK B	1000053556	48	XF8757001	PRESSER FOOT LIFTER SPRING	
7	XC9613121	THREAD GUIDE ASSY		49	048030346	RETAINING RING E3	
8	XC9616051	SPRING		50	XF8759001	LEVER GUIDE SHAFT HOLDER	
9	XF8727001	SHAFT BUSHING A ASSY		51	XF8760001	LEVER GUIDE SHAFT	
10	XC2419021	SHAFT		52	XF8762001	LEVER A ASSY	
11	000020416	SCREW BIND M2X4		53	XC2458021	LEVER B	
12	XG1370001	NEEDLE HOLDER SHAFT C		54	XC2459020	CAP	
13	XG0742101	NEEDLE HOLDER SHAFT PLATE	1000057704	55	XC2460021	TORSION SPRING	
14	XF2685001	NEEDLE BAR		56	048030346	RETAINING RING E3	
15	XE7727201	N/B THREAD GUIDE SUPPLY ASSY		57	048020346	RETAINING RING E2	
16	X53053052	SCREW SM2.38		58	XF8764001	SWITCH HOLDER	
17	XC2426020	NEEDLE THREAD PLATE		59	XG0331001	THREADER LEVER SWITCH ASSY	
18	XC2427051	NEEDLE BLOCK		60	XG2056101	SPRING	1000051232
19	XZ0388251	NEEDLE CLAMP SCREW		61	XF9119001	PRESSER DIAL	
20	014401232	SET SCREW SOCKET (CP) M4X12		62	XC8372151	PRESSER DIAL SHAFT ASSY	
21	X56851021	LOCK NUT		63	XC7830050	PRESSER DIAL GEAR	
22	XC2429021	SPRING		64	103810022	WASHER, WAVE SPRING	
23	XG3213001	NEEDLE BAR CRANK R SUPPLY ASSY *		65	XA0362051	WASHER	
24	XE1999001	SCREW, FLAT SM3.57-40X7 L		66	048040346	RETAINING RING E4	
25	XC2434021	NEEDLE THREAD BLOCK		67	048050346	RETAINING RING E5	
26	012400432	SET SCREW SOCKET (FT) M4X4		68	XF8788001	PRESSER PM HOLDER	
27	XF8735001	NEEDLE SUPPORTER ARM BASE		69	XG4217001	PULSE MOTOR:PF PM35S-048-BKF5A	1000056824
28	XF9567001	NEEDLE HOLDER GUIDE ASSY		70	060300416	SCREW BIND M3X4	
29	XF8737001	NEEDLE BAR FELT HOLDER		71	XG3086001	PF INIT PCB ASSY NEXT F	
30	XF3031001	NEEDLE BAR FELT		72	XC7644051	SCREW, PAM (S/P WASHER) M3X5	
31	XC3338021	SCREW3X8		73	XG2316001	PF INIT INSULATION SHEET	
32	XF8741001	THREAD GUIDE PLATE		74	XF9501001	CORD GUIDE	
33	XC6055021	SCREW, BIND M3X3		75	0A4300606	SCREW PAN (S/P WASHER) M3X6	
34	XF8743101	TAKE-UP SUPPORT SHAFT	1000051556	76	060300616	SCREW BIND M3X6	
35	XF8744001	THREAD TAKE-UP LEVER LINK		77	048025346	RETAINING RING E2.5	
36	XC3037021	SCREW3X10	1000051817	78	XF8802001	PT HOLDER ASSEMBLY	
37	XF8745001	THREAD TAKE-UP LEVER ASSY *		79	XF9392001	LEAD WIRE ASSY POTENTIO	
38	XF8748001	PRESSER BAR		80	060300416	SCREW BIND M3X4	
39	XF8749001	PRESSER BAR CLAMP		81	0A4400806	SCREW PAN (S/P WASHER) M4X8	
40	XF8750001	PRESSER BAR CLAMP SCREW		82	060400616	SCREW BIND M4X6	
41	XF8751001	PRESSER BAR SPRING		83	XF9104001	PT CONNECTING PLATE	
42	XF8752001	PRESSER FOOT RACK		84	XG0653001	PF LIFTER SWITCH HOLDER	

* Note: When ordering THREAD TAKE-UP LEVER ASSY or NEEDLE BAR CRANK R SUPPLY ASSY, please be sure to see INFORMATION page.

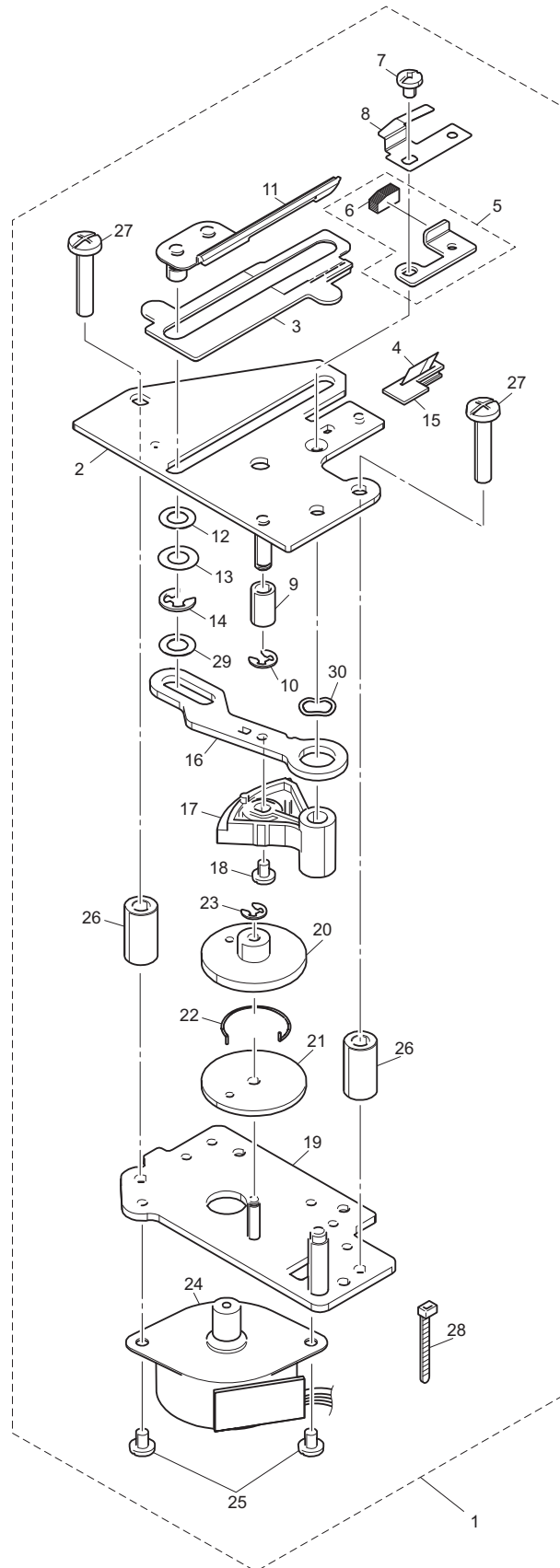
NEEDLE-PRESSER MODULE



FEED MODULE



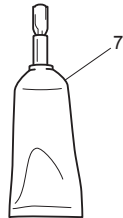
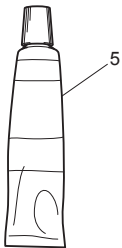
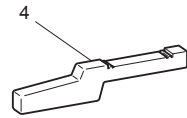
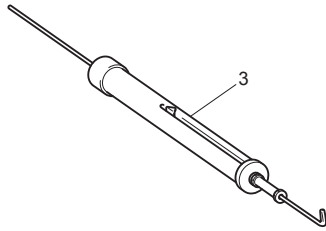
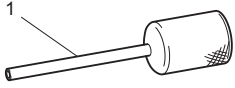
THREAD CUTTER MODULE



THREAD CUTTER MODULE

No.	CODE	NAME	REMARKS
1	XG6376001	THREAD CUTTER UNIT SUPPLY ASSY	1000056717
2	XG0287001	THREAD CUTTER FRAME ASSY	
3	XC9735050	SPACER	
4	XG2930001	CUTTER BLADE ASSY	
5	XG0286001	PRESSER PLATE ASSY	
6	XE4993001	PILE 4X4	
7	060300516	SCREW BIND M3X5	
8	XC2598120	SPRING PLATE	
9	XC2587020	RUBBER	
10	048030346	RETAINING RING E3	
11	XC2583121	THREAD HOOK ASSY	
12	137713020	POLYESTER SLIDER	
13	X56731020	WASHER	
14	048040346	RETAINING RING E4	
15	XC9736050	CUTTER HOLDER	
16	XC2581221	THREAD CUTTER LEVER	
17	XG0259001	THREAD CUTTER LEVER GEAR	
18	0A4300606	SCREW PAN (S/P WASHER) M3X6	
19	XF8860001	MOTOR HOLDER ASSY	
20	XC2592020	IDLE GEAR A	
21	XC2593020	IDLE GEAR B	
22	X56323021	SPRING	
23	048020346	RETAINING RING E2	
24	XG4216001	C PULSE MOTOR PM35S-048-BKF4A	1000056717
25	060300416	SCREW BIND M3X4	
26	XC2594121	COLLAR	
27	060402016	SCREW BIND M4X20	
28	X53169020	BAND	
29	137713020	POLYESTER SLIDER	
30	XC8407020	WAVE-SHAPE SPRING WASHER	

SPARE PARTS



INFORMATION

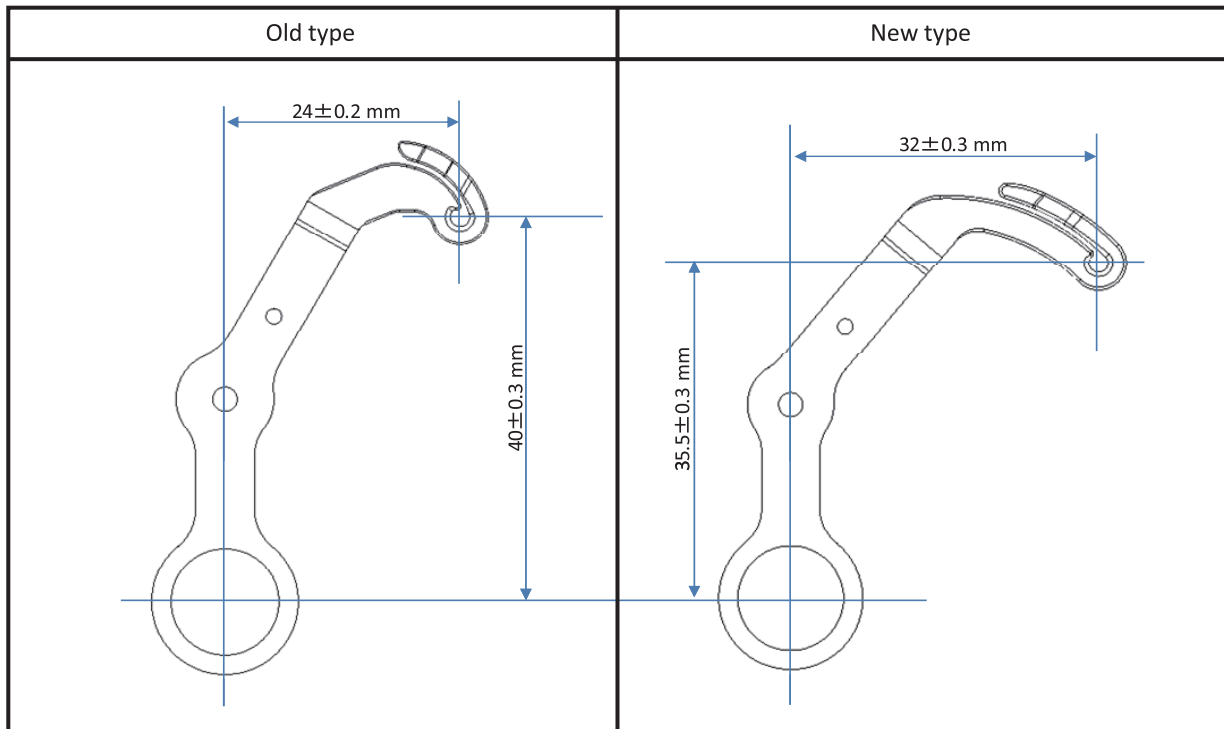
ATTENTION!

When you replace THREAD TAKE-UP LEVER ASSY or NEEDLE BAR CRANK R SUPPLY ASSY, please check the shape of THREAD TAKE-UP LEVER installed on the machine before the replacement. Please refer to the following drawing and distinguish the shapes of new type and old one.

If it is old type, you need to replace both parts together.

If you don't do that, THREAD TAKE-UP LEVER clash with other parts and cause malfunction.

If it is new type, you can replace the part individually.



brother