



**Home Sewing Machine  
PARTS REFERENCE LIST**

**MODEL: HE240/SE350/SE400  
LB6770/LB6800  
NV900D/NV900**

MECHANISMS & ELECTRONICS

**CONFIDENTIAL**

Copyright © 2010 Brother Industries, Ltd.  
All rights reserved.

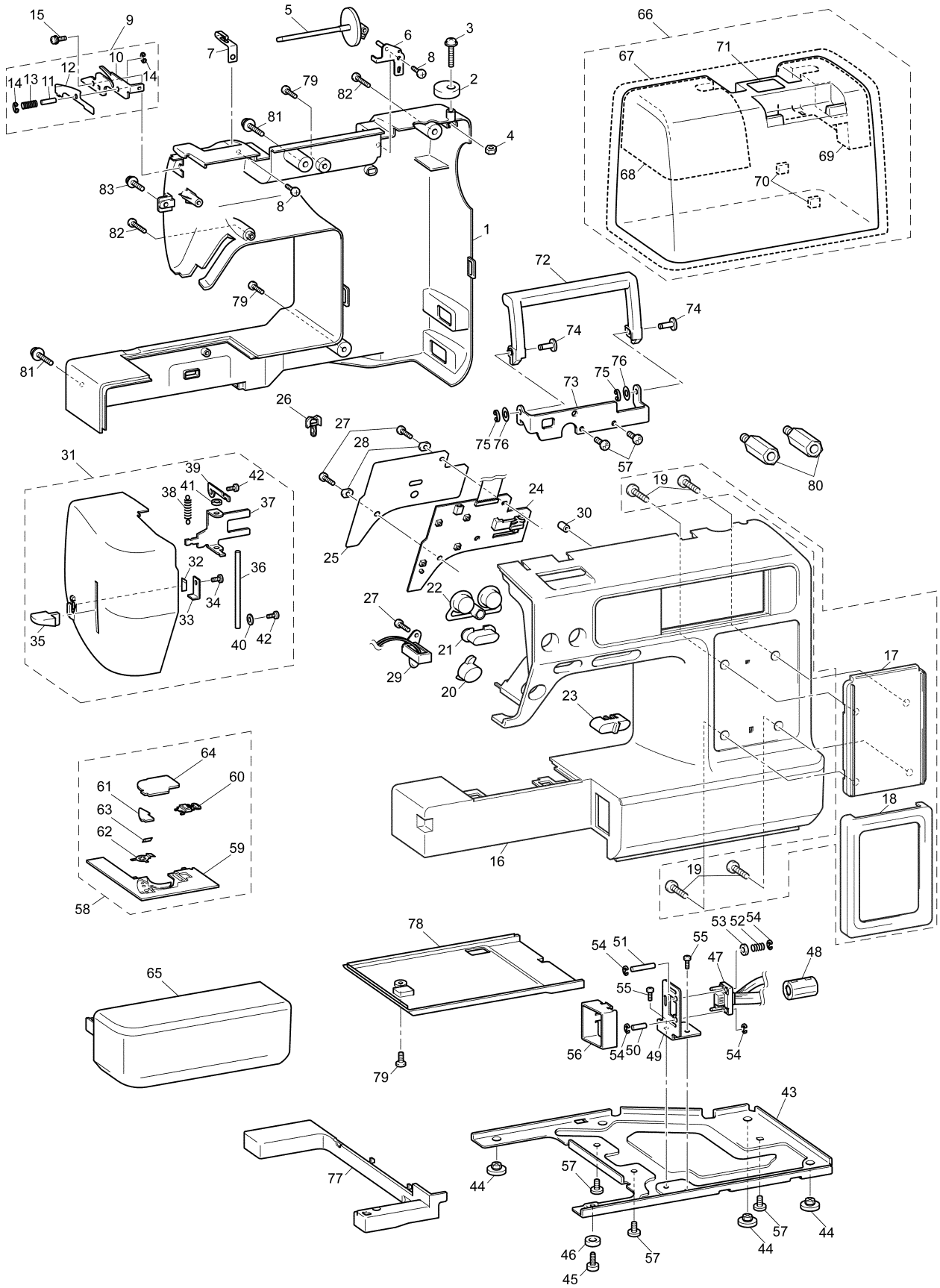
# CONTENTS

(1) PRINCIPAL PARTS.....	2
(2) UPPER SHAFT / NEEDLE BAR, PRESSER MECHANISM.....	6
(3) FEED MECHANISM .....	10
(4) THREAD CUTTER MODULE / THREAD CUTTING MECHANISM .....	12
(5) BOBBIN WINDER / THREAD GUIDE MECHANISM .....	14
(6) ELECTRONIC PARTS / MOTOR UNIT.....	16
(7) EMBROIDERY UNIT .....	18
(8) ATTACHMENTS / PRINTED MATTER / PACKING MATERIALS .....	20
SPARE PARTS.....	24

**Note on parts:**

We keep performance parts for this sewing machine for at least 8 years after this model is discontinued. Performance parts are the necessary parts to maintain the function of the sewing machine.

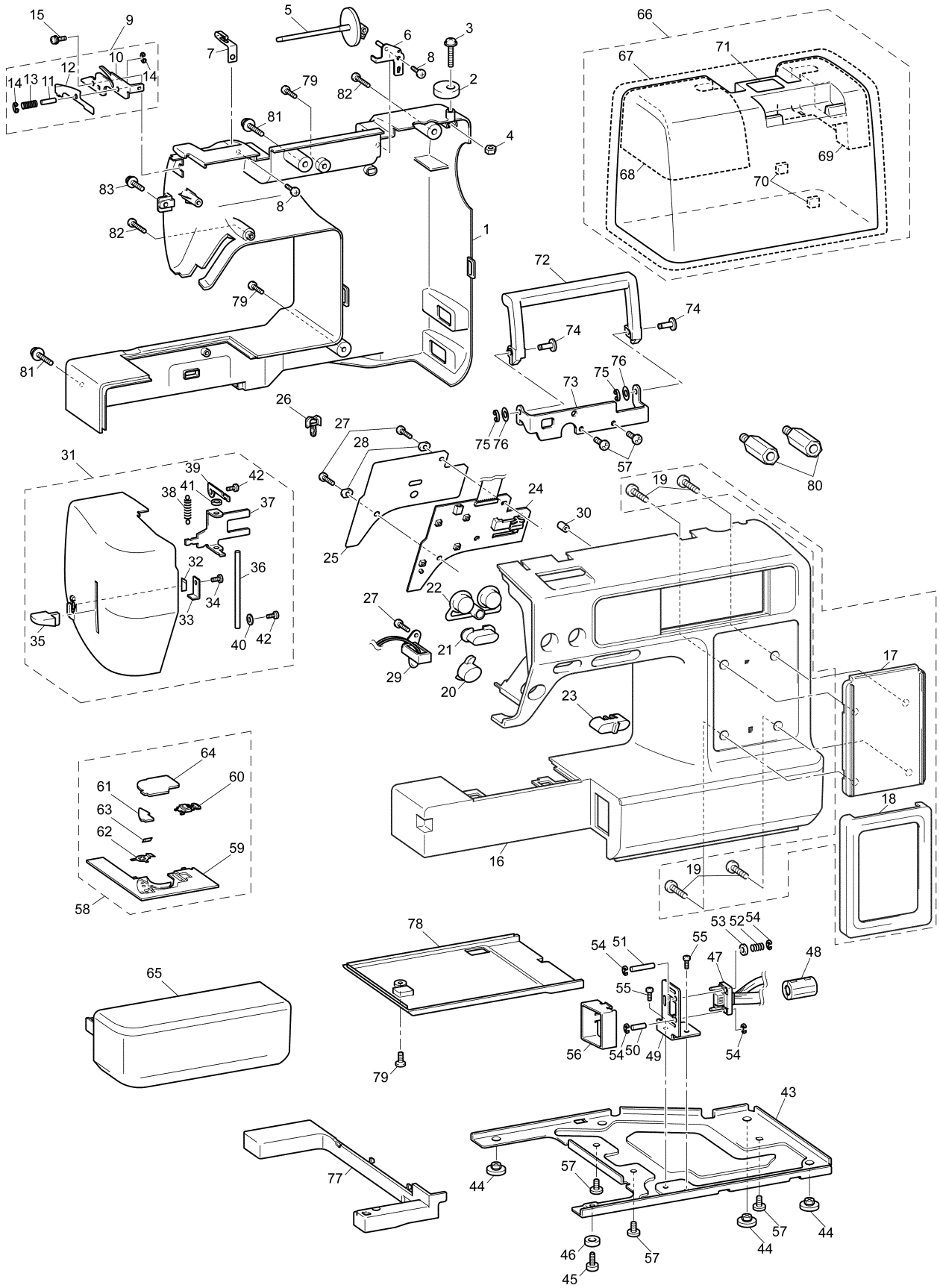
# (1) PRINCIPAL PARTS



## (1) PRINCIPAL PARTS

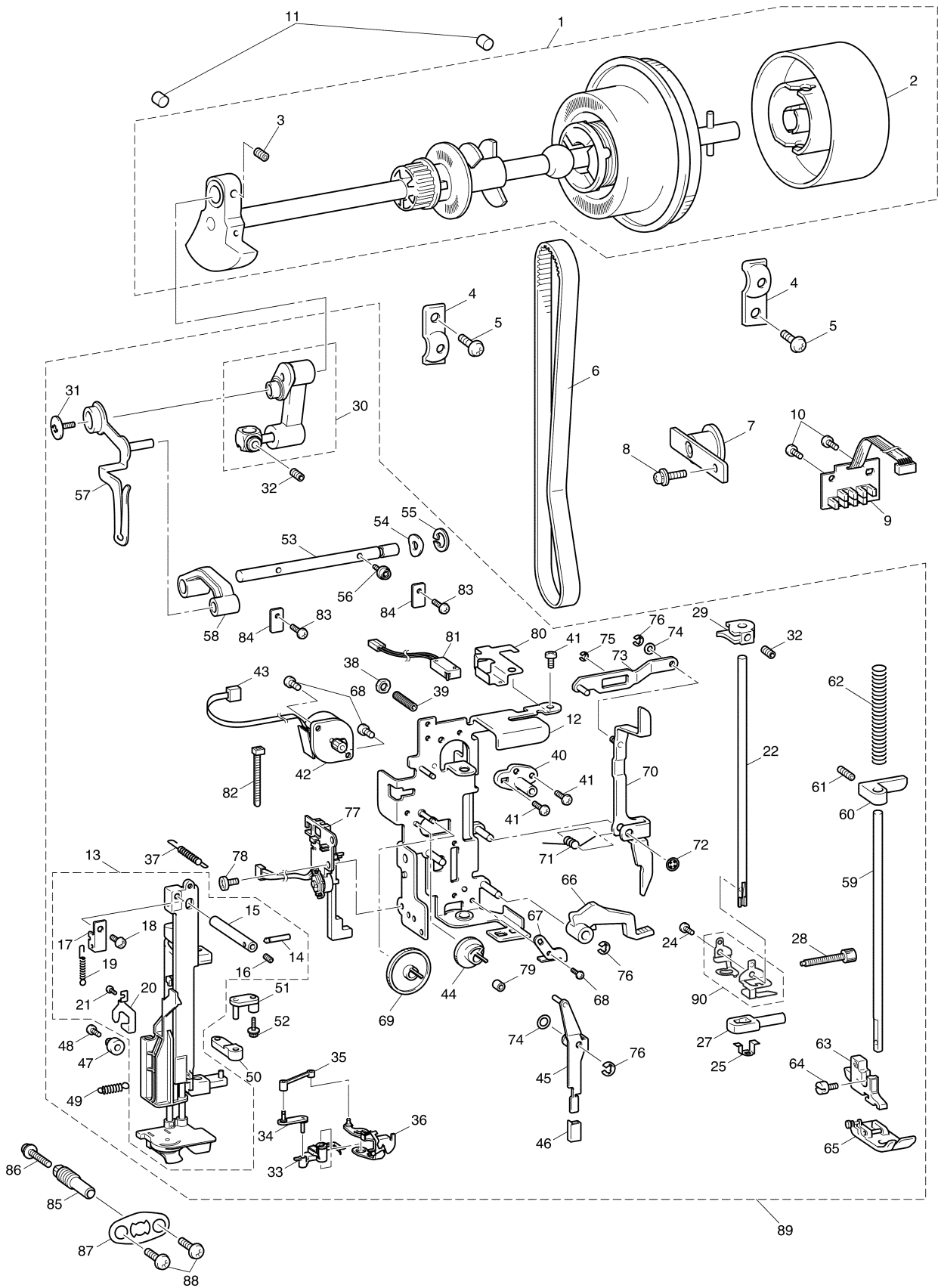
No.	CODE	NAME	REMARKS	No.	CODE	NAME	REMARKS
1	XE3351001	REAR COVER		32	X80321021	NT LOWER THREAD CUTTER	
2	XC4517151	BOBBIN PRESSER	1000018473	33	XE1435001	FACE PLATE CUTTER HOLDER	
3	0A4302006	SCREW PAN (S/P WASHER) M3X20		34	138433021	TAPTITE, PAN B M3X6	
4	021300106	NUT 1 M3		35	XC9604051	NEEDLE THREAD LEVER KNOB	
5	XA1786053	SPOOL PIN		36	XA5825051	NEEDLE THREAD LEVER SHAFT	
6	XE1394001	SPOOL PIN HOLDER ASSY		37	XC3039151	NEEDLE THREAD LEVER	
7	XE1490101	THREAD GUIDE SUPPORTING PLATE		38	138260051	THREAD THROUGH LEVER SPRING	
8	085311216	TAPTITE BIND B M3X12		39	XA6320050	SHAFT PRESSER PLATE	
9	XE2910001	THREAD GUIDE PLATE ASSY		40	XA5525051	WASHER, PLAIN	
10	XE2911001	THREAD GUIDE PLATE		41	XC0508020	RUBBER WASHER	
11	XE2912001	SHAFT		42	085311016	TAPTITE BIND B M3X10	
12	XE2913001	THREAD GUIDE SPRING		43	XE2941001	BASE PLATE	
13	X57605051	SPRING		44	XA1805021	BASE RUBBER A	
14	048020346	RETAINING RING E2		45	XC3471021	ADJUSTING SCREW	
15	X59642021	SCREW		46	XC3472021	BASE PLATE RUBBER	
16	XE3833001	FRONT COVER SUPPLY ASSY: V31 (HE240)		47	XD0351051	LEAD WIRE ASSY MAIN BODY FCOMB	
	XE3834001	FRONT COVER SUPPLY ASSY: V33 (SE350)		48	XE1829001	FERRITE CORE: K1NF-75(N)BK2	
	XE4220001	FRONT COVER SUPPLY ASSY: V33 (LB6770)		49	XE2942001	CONNECTOR HOLDER	
	XE4292001	FRONT COVER SUPPLY ASSY (NV900D)		50	XD0353051	ES PIN F-A	
	XE4291001	FRONT COVER SUPPLY ASSY (NV900)		51	XD0945051	ES PIN F-B	
	XE7843001	FRONT COVER SUPPLY ASSY: SE400 (SE400)	1000016266	52	XD0967051	SPRING, COMPRESSION	
	XE7844001	FRONT COVER SUPPLY ASSY: LB6800 (LB6800)	1000016710	53	XC2514021	FEED BAR SPACER	
17	XE3094001	PHOTO FRAME BASE (HE240, NV900D)		54	048020346	RETAINING RING E2	
18	XE3095001	PHOTO FRAME (HE240, NV900D)		55	060300516	SCREW BIND M3X5	
19	136681021	TAPTITE, BIND B M3X8 (HE240, NV900D)		56	XE3145001	CONNECTOR HOLDER COVER	
20	XE3096101	SS BUTTON	1000019614	57	X57908021	TAPTITE, BIND S M4X10	
21	XE2927001	REVERSE BUTTON		58	XD0354251	NEEDLE PLATE B ASSY	
22	XE2929001	NP BUTTON		59	XD0355251	NEEDLE PLATE B	
23	XE2931001	SV KEY TOP		60	XC7371022	SLIDE BUTTON	
24	XE2934001	SSVR PCB ASSY: CCOM		61	XD1666052	CUTTER COVER	
25	XE2935001	INSULATOR SHEET: CCOM SS		62	XD1461051	NEEDLE PLATE COVER SPRING	
26	XC3751021	MINI CLAMP: UAMS-02		63	X80321021	NT LOWER THREAD CUTTER	
27	085311016	TAPTITE BIND B M3X10		64	XD1645021	NEEDLE PLATE COVER SUPPLY ASSY	
28	XC6363021	BOARD PRESSER		65	XE2943203	ACCESSORY TABLE ASSY (HE240, SE350, LB6770, SE400, LB6800)	1000020034
29	XE2367001	LED LAMP RIGHT SUPPLY ASSY LE1			XE2943204	ACCESSORY TABLE ASSY (NV900D)	1000020034
30	XE3376001	RUBBER			XE2943201	ACCESSORY TABLE ASSY (NV900)	1000020034
31	XE2937001	FACE PLATE ASSY		66	XE3862001	CASE ASSEMBLY (NV900D, NV900)	
					XE5549001	CASE ASSEMBLY (NV900: KOR)	1000009695
				67	XE3838001	BAG 750X600H (NV900D, NV900)	
				68	XE2949001	POLYSYRENE FOAM PAD CASE L (NV900D, NV900)	
				69	XE2950001	POLYSYRENE FOAM PAD CASE R (NV900D, NV900)	

# (1) PRINCIPAL PARTS





## (2) UPPER SHAFT / NEEDLE BAR, PRESSER MECHANISM

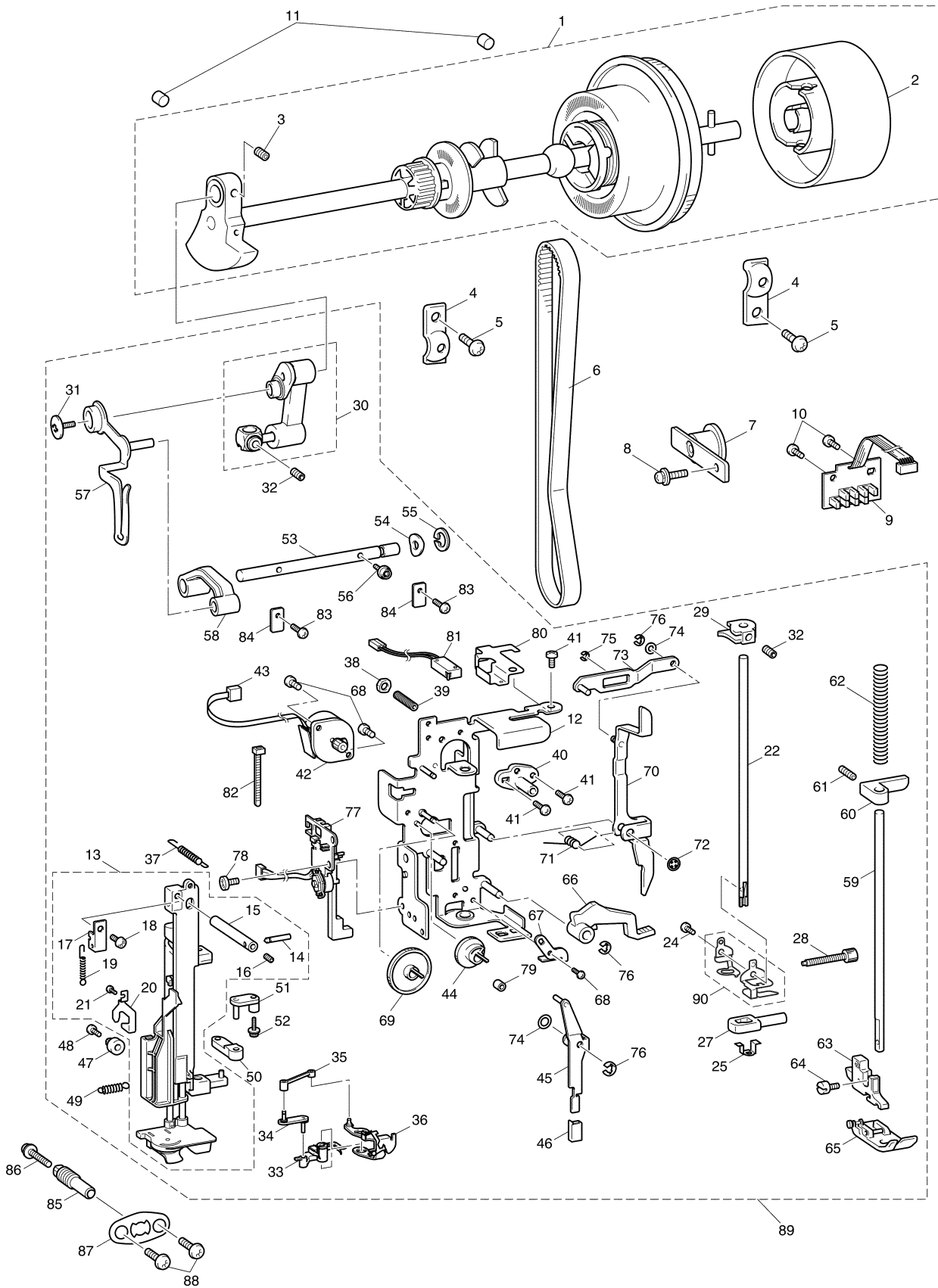


## (2) UPPER SHAFT / NEEDLE BAR, PRESSER MECHANISM

No.	CODE	NAME	REMARKS	No.	CODE	NAME	REMARKS
UPPER SHAFT MECHANISM				43	XE2976001	LEAD WIRE ASSY ZPM-CCOM	
1	XE3707001	UPPER SHAFT SUPPLY ASSY		44	XE2977001	Z ZIGZAG CAM	
2	XC2375051	PULLEY		45	XC8761121	Z ZIGZAG LEVER ASSY	
3	012500532	SET SCREW SOCKET (FT) M5X5		46	XC8764020	Z LEVER CAP	
4	132421021	BUSHING PRESSER		47	XC2435020	ZIGZAG ADJUSTING NUT	
5	X57908021	TAPTITE, BIND S M4X10		48	018301032	BOLT SOCKET M3X10	
6	XC4869021	T BELT 420-5GT-6		49	XC2748021	SPRING-Z	
7	XE3581001	TENSION PULLEY ASSEMBLY		50	XC2436021	NEEDLE HOLDER BLOCK	
8	138172021	SCREW, PAN (S/P WASHER) M4X10		51	XC2437021	SHAFT ASSY	
9	XE3036001	NP PCB ASSY CCOM		52	XC3037021	SCREW3X10	
10	060400816	SCREW BIND M4X8		53	XE1470101	TAKE-UP SUPPORT SHAFT	
11	XC3183051	FELT		54	XZ5030001	WASHER, SPRING	
NEEDLE BAR, PRESSER MECHANISM				55	048050346	RETAINING RING E5	
12	XE2967001	BASE HOLDER ASSY CE		56	XC3338021	SCREW3X8	
13	XE2970001	NEEDLE BAR HOLDER ASSY		57	XC8564031	THREAD TAKE-UP LEVER	
14	XC2420020	SHAFT		58	XC4897020	THREAD TAKE-UP LEVER LINK	
15	XC8754021	NEEDLE HOLDER SHAFT A		59	XC4898021	PRESSER BAR	
16	014300532	SET SCREW SOCKET (CP) M3X5		60	XC4899121	PRESSER BAR CLAMP	
17	XC8755020	PLATE		61	XC7207021	SCREW STUD M5	
18	060300516	SCREW BIND M3X5		62	XC4900021	SPRING	
19	X50476021	SPRING		63	XC3015031	PRESSER FEED HOLDER ASSY	
20	XE1463001	HOOK RELEASE PLATE		64	132730122	TIGHTENING SCREW 3.57	
21	0A4200606	SCREW PAN (S/P WASHER) M2X6		65	XC3021031	Z FOOT	
22	XC2423021	NEEDLE BAR		66	XE2982001	PRESSER FOOT LIFTER	
23	XE0041104	NEEDLE BAR THREAD-GUIDE-Q	1000016793	67	XE2983001	EMBROIDERY PRESSER STOPPER	
24	X53053052	SCREW SM2.38		68	060300416	SCREW BIND M3X4	
25	XC2426020	NEEDLE THREAD PLATE		69	XE2984001	T CAM	
26	XE0042104	NEEDLE THREAD-GUIDE-SPRING	1000016793	70	XE2985001	THREAD RELEASE LEVER ASSY	
27	XC2427051	NEEDLE BLOCK		71	XC4904121	SPRING	
28	XZ0388251	NEEDLE CLAMP SCREW	1000010409	72	146200021	RETAINING RING, CS4	
29	XC2434021	NEEDLE THREAD BLOCK		73	XE2988001	THREAD RELEASER ASSY	
30	XC6562131	NEEDLE BAR CRANK ROD ASSY		74	137713020	POLYESTER SLIDER	
31	XE1999001	SCREW, FLAT SM3.57-40X7 L		75	048020346	RETAINING RING E2	
32	012400432	SET SCREW SOCKET (FT) M4X4		76	048040346	RETAINING RING E4	
33	XE1464501	THREADER HOOK ASSY	1000019655	77	XE3570001	BH SWITCH ASSY	
34	XD1546051	LINK A ASSY		78	0A4400806	SCREW PAN (S/P WASHER) M4X8	
35	XD1548151	LINK B	1000009134	79	XC8773020	RUBBER	
36	XE1465001	THREAD GUIDE ASSY		80	XE1507001	PRESSER SWITCH HOLDER	
37	XC2429021	SPRING		81	XE2991001	PF SWITCH ASSY: CCOM	
38	X56851021	LOCK NUT		82	X53169020	BAND	
39	014401232	SET SCREW SOCKET (CP) M4X12		83	X57908021	TAPTITE, BIND S M4X10	
40	XC8756021	SHAFT BUSHING		84	X50532021	PRESSER PLATE	
41	060300616	SCREW BIND M3X6		85	XC2504050	ADJUSTING SCREW	
42	XE2974001	Z PULSE MOTOR: M35SP-9N CCOM		86	XZ0380051	SCREW, PAN (WASHER) M3X18	

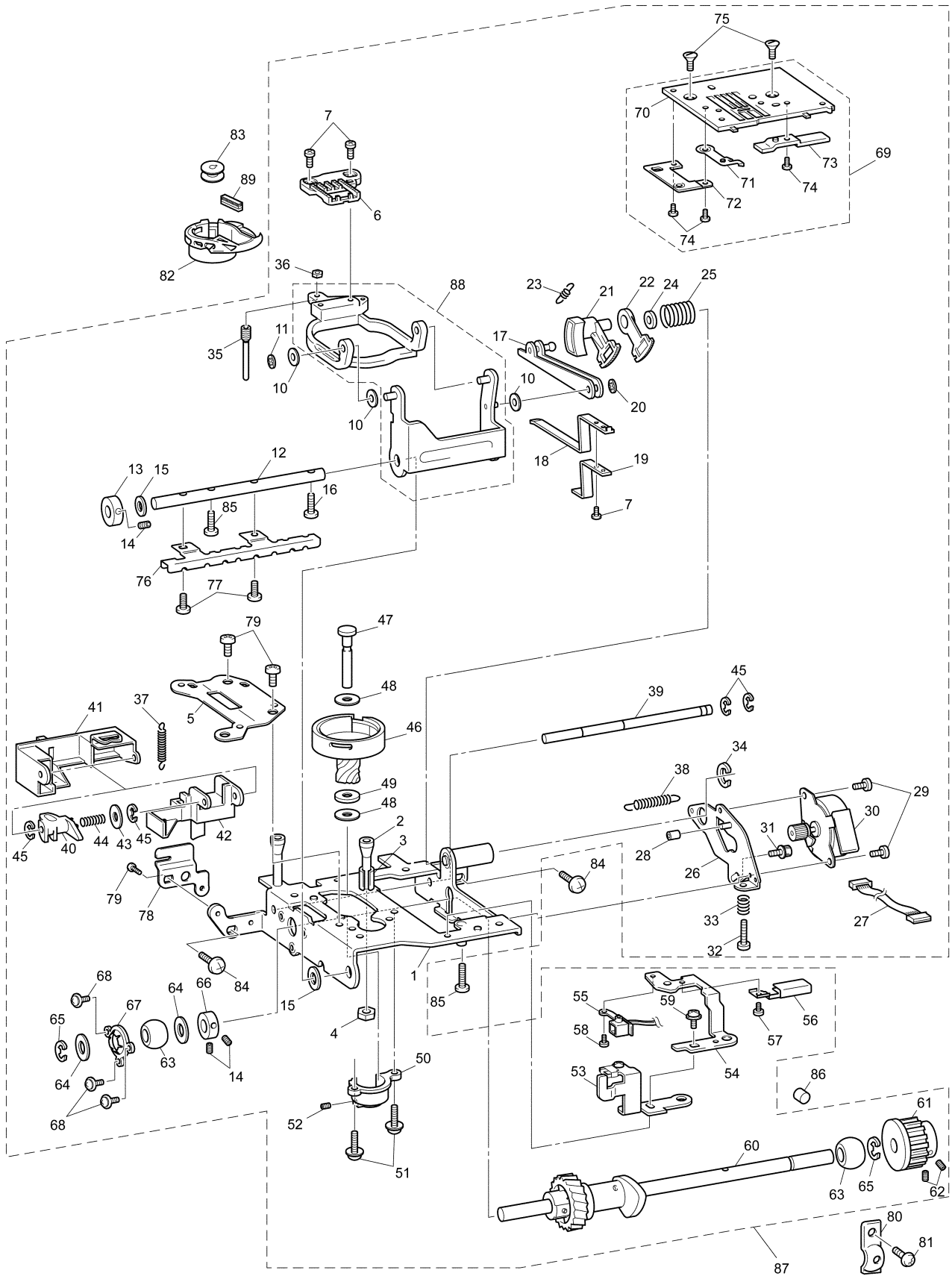


## (2) UPPER SHAFT / NEEDLE BAR, PRESSER MECHANISM





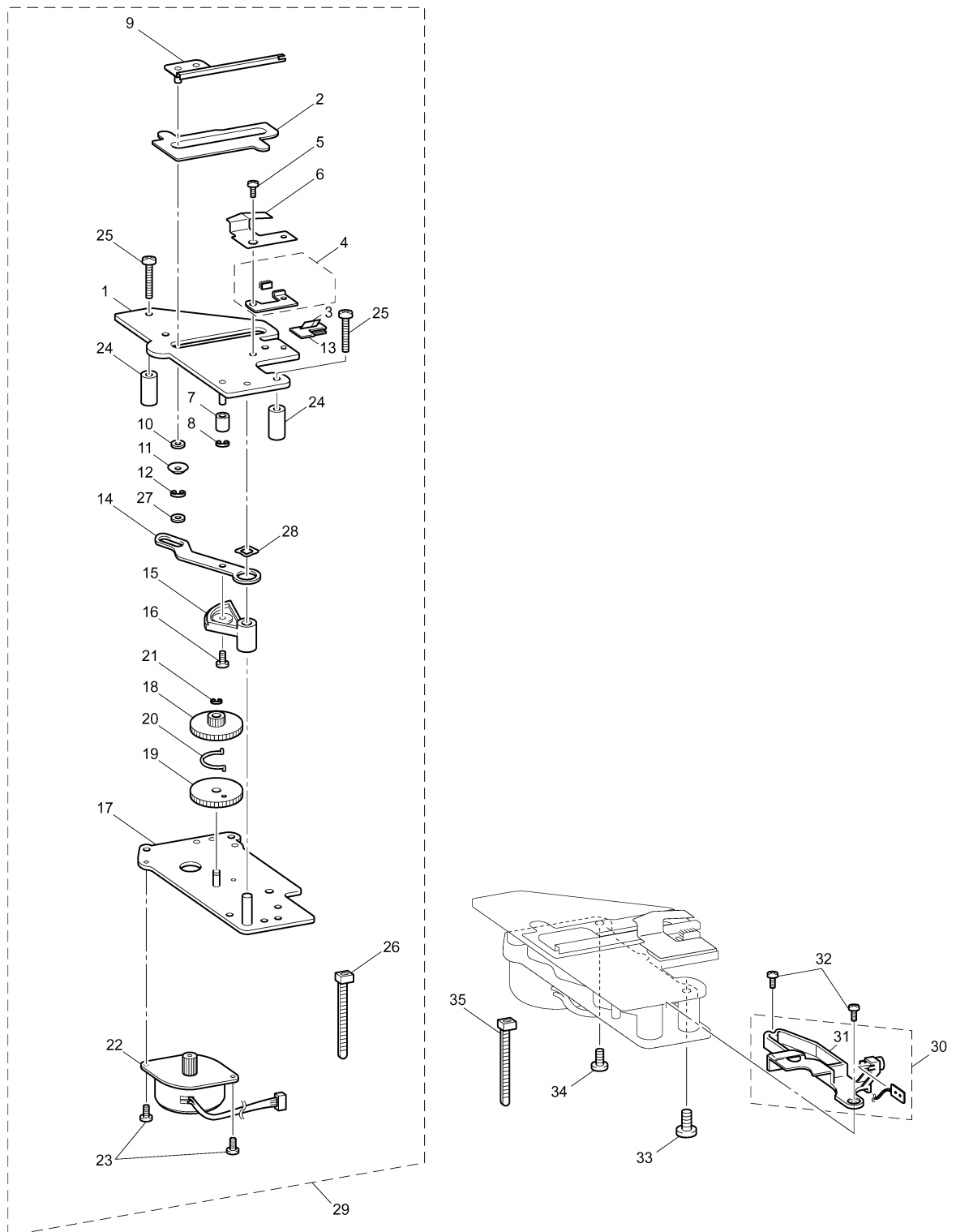
### (3) FEED MECHANISM



### (3) FEED MECHANISM

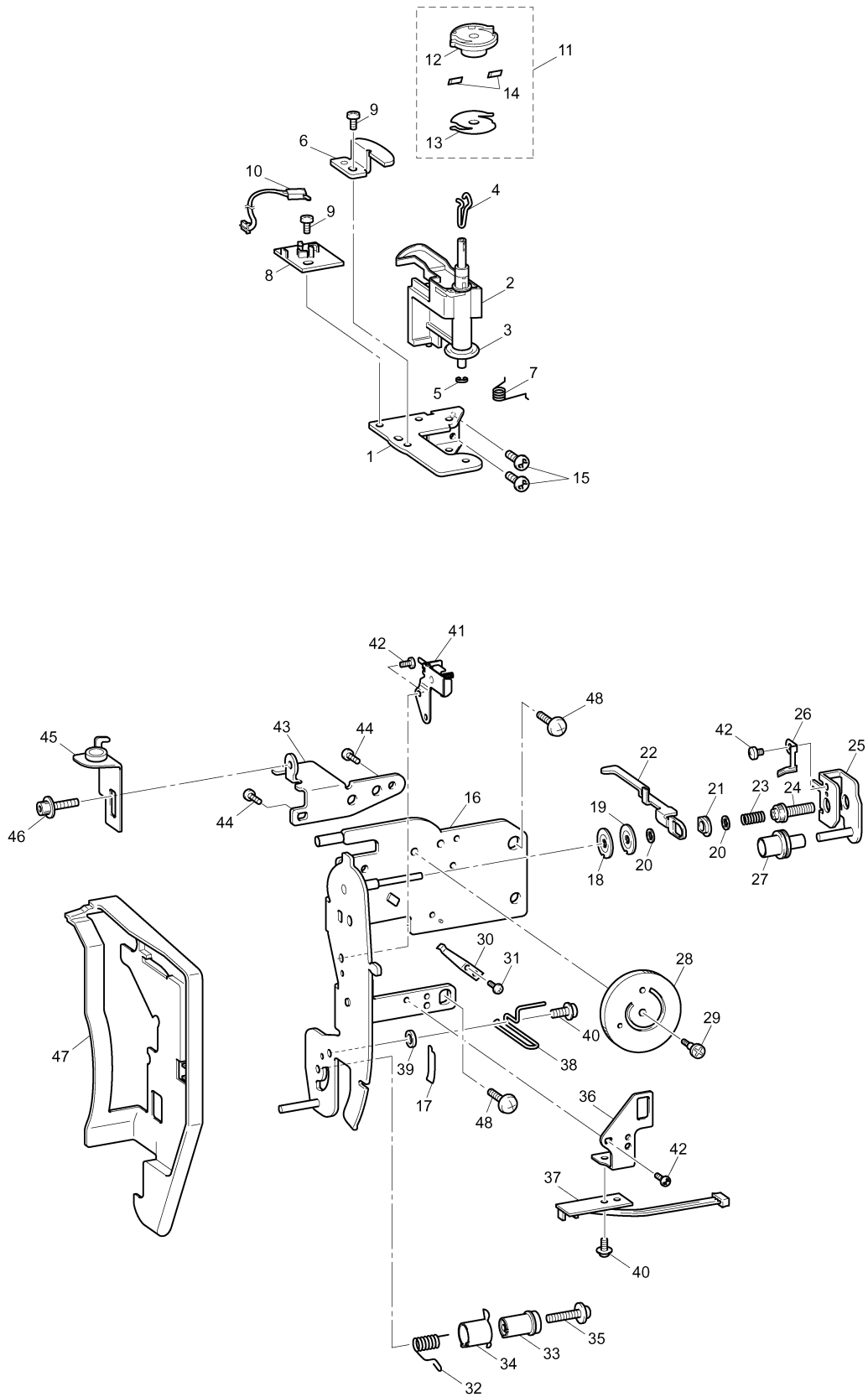
No.	CODE	NAME	REMARKS	No.	CODE	NAME	REMARKS
1	XE1475101	BASE PLATE ASSY		46	XC4141121	OUTER ROTARY HOOK ASSY	
2	XC8782021	NEEDLE PLATE SUPPORTER SHAFT B		47	XE1480001	OUTER ROTARY HOOK SHAFT	
3	XC8783020	FEED ARM SUPPORTER		48	137805022	SPACER	
4	021300106	NUT 1 M3		49	137976021	WASHER 6	
5	XE2994001	THREAD CUTTER MODULE SUPPORTER		50	XE1481001	SHAFT SUPPORTER	
6	XE7489001	FEED DOG	1000020066	51	138172021	SCREW, PAN (S/P WASHER) M4X10	
7	060300616	SCREW BIND M3X6		52	014400632	SET SCREW SOCKET (CP) M4X6	
8	<del>XE1476201</del>	FEED BAR	1000016236	53	XE3650101	INNER ROTARY HOOK BRACKET ASSY	1000016400
9	<del>XC8786121</del>	FEED ARM A ASSY	1000016236	54	XE2998001	PHOTO DIODE SUPPORTER	
10	137999020	POLYESTER SLIDER		55	XE2999001	PHOTO DIODE HOLDER ASSY	
11	146200021	RETAINING RING, CS4		56	XC7866351	CORD HOLDER	1000012334
12	XE2995001	HORIZONTAL FEED SHAFT		57	060260316	SCREW BIND M2.6X3	
13	130676121	SET SCREW COLLAR		58	000020416	SCREW BIND M2X4	1000016096
14	014400432	SET SCREW SOCKET (CP) M4X4		59	0A5300806	SCREW PAN (S/P WASHER) M3X8	
15	X50546020	WASHER, THRUST		60	XE3002001	LOWER SHAFT ASSY	
16	060301206	SCREW BIND M3X12		61	XC4943021	TIMING PULLEY D	
17	XC4924021	FEED ARM ASSY		62	014500532	SET SCREW SOCKET (CP) M5X5	
18	XC4927021	FEED SUPPORTING PLATE		63	X52664020	LOWER SHAFT BUSHING	
19	XC4928120	FEED SUPPORTING PLATE B		64	X51383020	WASHER, THRUST	
20	X56655021	RETAINING RING: CSTW-3.5		65	048060346	RETAINING RING E6	
21	XC2527121	FEED ADJUSTER		66	XC8798021	SET COLLAR	
22	XC2529020	F GEAR		67	XC4944021	BUSHING PRESSER B	
23	XC2530021	SPRING		68	085310615	TAPTITE BIND B M3X6	
24	137713020	POLYESTER SLIDER		69	XE1827101	NEEDLE PLATE A ASSY	1000018284
25	XC2531021	SPRING		70	XE1828201	NEEDLE PLATE A	
26	XC8791021	FPM HOLDER SUB ASSY		71	XC9728051	STOPPER PLATE	
27	XE3173001	LEAD WIRE ASSY FPM-CCOM		72	XE1488001	NEEDLE PLATE B SUPPORT PLATE	
28	XC8773020	RUBBER		73	XE8544001	F GEAR STOPPER PLATE	1000018284
29	060300416	SCREW BIND M3X4		74	060260316	SCREW BIND M2.6X3	
30	XE3637001	FPM INSULATION ASSY CCOM		75	X50487021	SCREW M4	1000010447
31	XC3338021	SCREW3X8		76	XE3004001	LEAD WIRE GUIDE HOLDER	
32	018402533	BOLT SOCKET M4X25		77	060300416	SCREW BIND M3X4	
33	XC2537021	SPRING		78	XE3005001	THREAD CUTTER MODULE SUPPORTER	
34	XC9924021	RETAINING RING 10		79	060400516	SCREW BIND M4X5	
35	XC3941021	VERTICAL ADJUSTER SCREW ASSY		80	132421021	BUSHING PRESSER	
36	XC2546021	M5 NUT		81	X57908021	TAPTITE, BIND S M4X10	
37	XE1940001	SPRING		82	XE7560001	INNER ROTARY HOOK ASSY	1000016400
38	XE1478001	SPRING		83	X52800120	BOBBIN	
39	XC8794021	VERTICAL FEED SHAFT		84	XE1489001	STUD SCREW M4	
40	XC2551020	VERTICAL LEVER		85	060301206	SCREW BIND M3X12	
41	XE1479001	DROP KNOB		86	XC3183051	FELT	
42	XE2996001	DROP LEVER		87	XE4814101	FEED UNIT SUPPLY ASSY CC	1000018284
43	025040332	WASHER PLAIN L 4		88	XE2015201	FEED BAR ASSY	1000016236
44	XC2550021	SPRING		89	XC3137000	PILE	1000019975
45	048030346	RETAINING RING E3					

# (4) THREAD CUTTER MODULE / THREAD CUTTING MECHANISM





## (5) BOBBIN WINDER / THREAD GUIDE MECHANISM

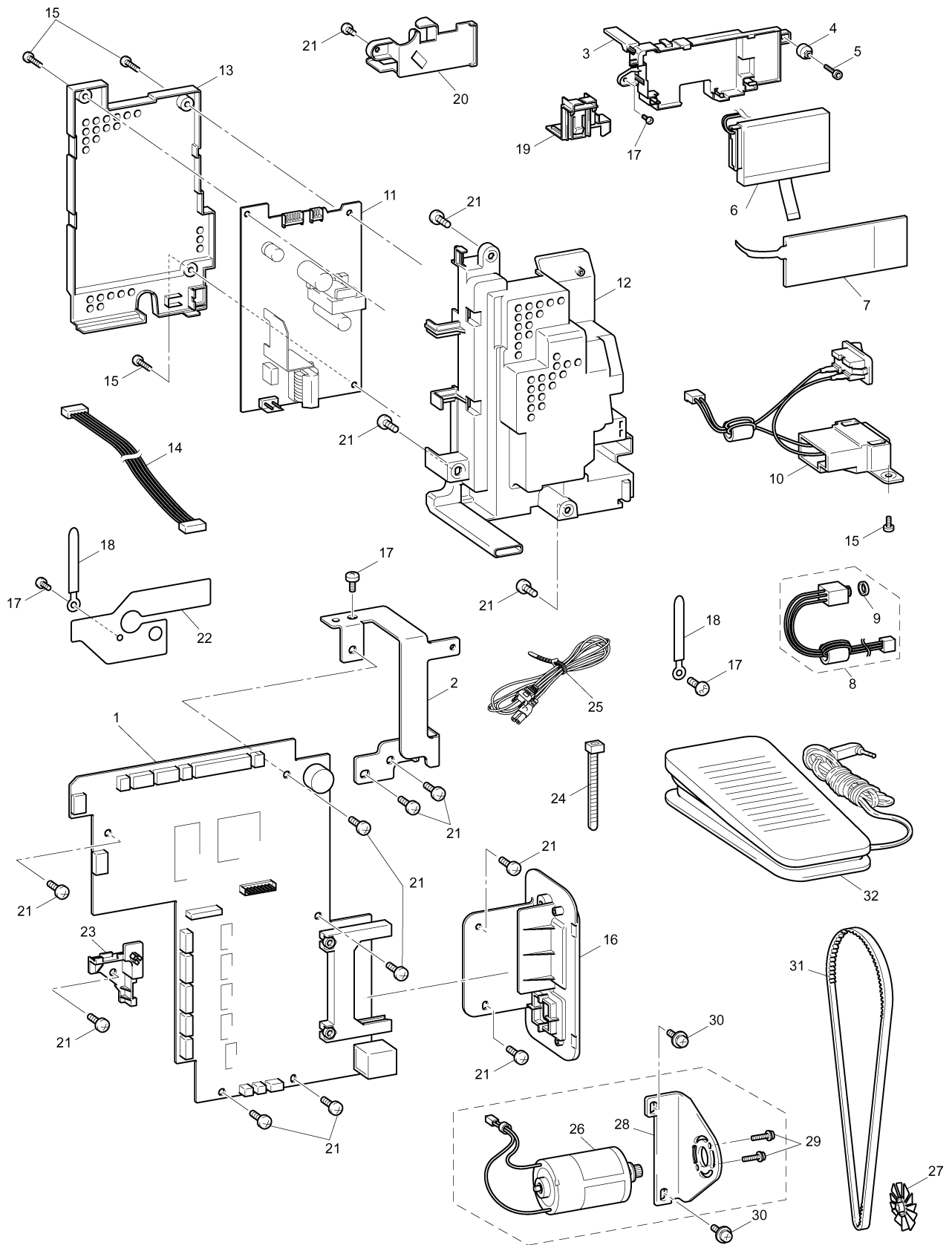


## (5) BOBBIN WINDER / THREAD GUIDE MECHANISM

No.	CODE	NAME	REMARKS	No.	CODE	NAME	REMARKS
BOBBIN WINDER MECHANISM				THREAD GUIDE MECHANISM			
1	XE3008001	BOBBIN WINDER ASSEMBLY HOLDER		16	XE3011001	THREAD GUARD ASSEMBLY	
2	XE1495001	BW SHAFT HOLDER ASSEMBLY		17	XA9935050	SPRING TAPE	
3	X55238021	RUBBER RING		18	XA0083121	TENSION DISC A	
4	XZ5039001	BOBBIN WINDER SHAFT SPRING	1000007062	19	XA0084121	TENSION DISC B	
5	048050343	RETAINING RING E5		20	XD0573021	WASHER	
6	XA2862021	BOBBIN WINDER SHAFT STOPPER		21	XA1388021	TENSION DISC WASHER	
7	XZ0070021	BOBBIN WINDER SPRING		22	XE1506001	THREAD RELEASE PLATE	
8	XC2614021	SW ADJUST PLATE		23	XE3014001	SPRING	
9	060300616	SCREW BIND M3X6		24	XE3015001	THREAD TENSION ADJUSTING SCREW	
10	XC2612051	SW ASSY: BW-F		25	XE3016001	THREAD TENSION PLATE ASSY	
11	XC4672051	BOBBIN BASE ASSY		26	XE3019001	ADJUSTING SCREW SPRING PLATE	
12	XC2616051	BOBBIN BASE		27	XE3020001	THREAD TENSION ADJUSTING GEAR	
13	XA5877021	BOBBIN THREAD CUTTER HOLDER		28	XE3201001	THREAD TENSION DIAL	
14	X80321021	NT LOWER THREAD CUTTER		29	XC9234021	TENSION DIAL SHAFT	
15	X57908021	TAPTITE, BIND S M4X10		30	XE1924101	NOTCHED SPRING	
				31	062300416	SCREW PAN M3X4	
				32	XC6957121	THREAD TAKE UP SPRING	
				33	XD0377151	THREAD CATCHING SPRING CASE FE	
				34	XE5731001	THREAD CUTTING SHUTTER	1000010311
				35	0A4301806	SCREW, PAN (S/P WASHE) M3X18	
				36	XE3021001	THREAD SENSOR HOLDER	
				37	XE3022001	UPTHREAD PCB ASSY CCOM	
				38	XD0383050	THREAD GUIDE WIRE FE	
				39	XA9996051	WASHER, PLAIN	
				40	XC7564021	SCREW, PAN (S/P WASHER) M3X6	
				41	XE3025001	PLATE ASSEMBLY	
				42	060300416	SCREW BIND M3X4	
				43	XE3028001	THREAD GUARD HOLDER S	
				44	060300416	SCREW BIND M3X4	
				45	XE1519101	BOBBIN WINDER GUIDE ASSY	
				46	XC3037021	SCREW3X10	
				47	XE3029001	THREAD GUARD COVER	
				48	XE1489001	STUD SCREW M4	



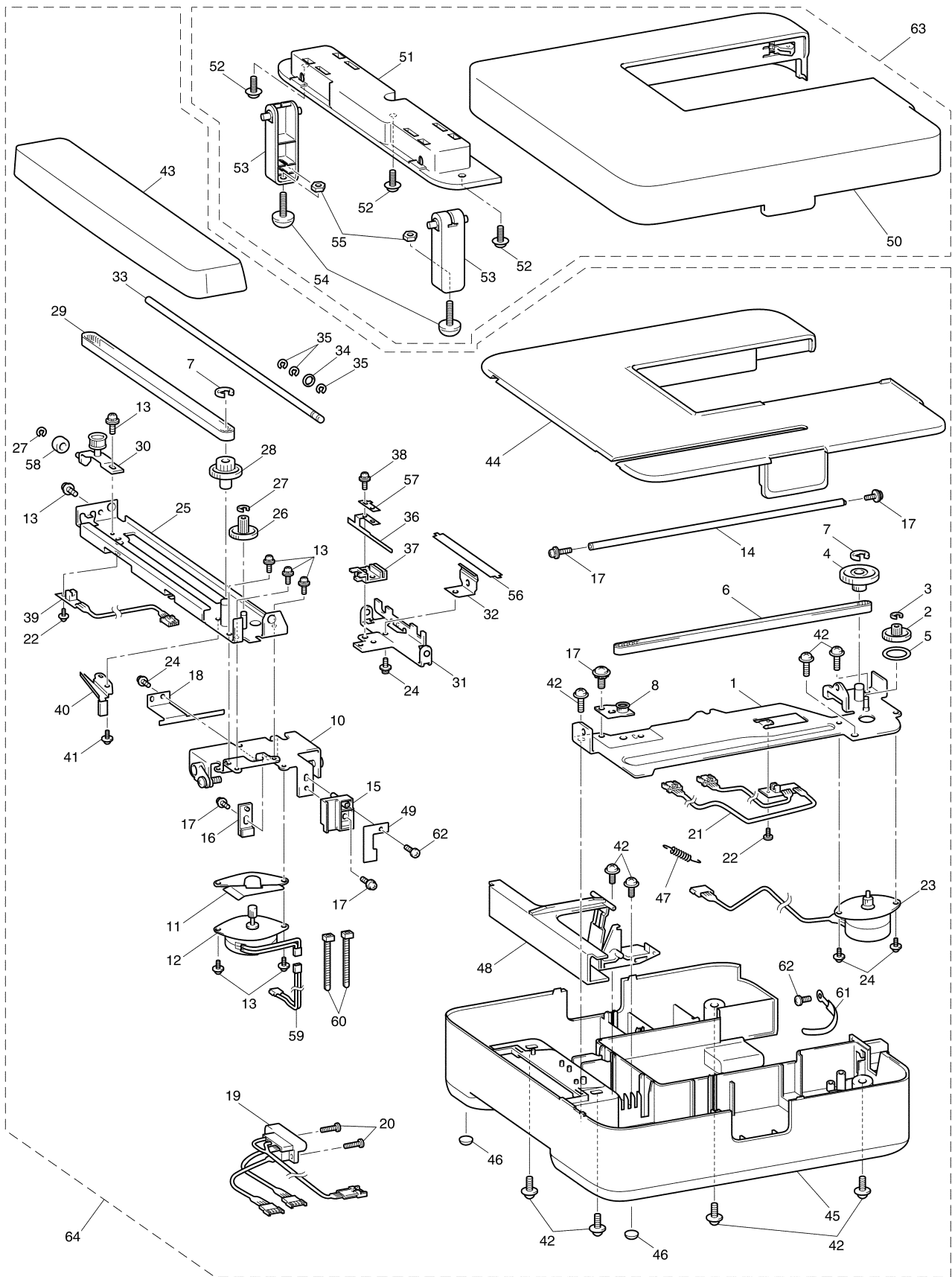
## (6) ELECTRONIC PARTS / MOTOR UNIT



## (6) ELECTRONIC PARTS / MOTOR UNIT

No.	CODE	NAME	REMARKS	No.	CODE	NAME	REMARKS
ELECTRONIC PARTS							
1	XE3479101	MAIN PCB SUPPLY ASSY-E (OTHER)	1000017471		X59354121	POWER SUPPLY CORD-BS (IRE, UK, HKG)	1000010034
	XE4281101	MAIN PCB SUPPLY ASSY-Y (NV900)	1000017471		XC9548021	POWER SUPPLY CORD: SAA-LF (AUS)	1000007793
	XE4280101	MAIN PCB SUPPLY ASSY-D (NV900D)	1000017471		XE2016001	POWER SUPPLY CORD KOR (KOR)	1000009695
2	XE3032001	LCD SUPPORTER			XE3210001	POWER SUPPLY CORD: BRZ (BRA 120V)	1000010760
3	XE3033001	LIGHT PLATE ASSY			XE4301001	POWER SUPPLY CORD: BRZ 220V (BRA 220V)	
4	XC2435020	ZIGZAG ADJUSTING NUT		MOTOR UNIT			
5	018301232	BOLT SOCKET M3X12		26	XE3180001	MAIN MOTOR SUB ASSY: CCOM V (120V)	
6	XE3652001	LCD SUPPLY ASSY			XE9044001	MAIN MOTOR SUB ASSY: CCOM-2 (230V)	1000020347
7	XE3106002	TOUCH PANEL ASSY (HE240)		27	XC3803020	MOTOR FAN	
	XE3106001	TOUCH PANEL ASSY (SE350)		28	XE3046001	MOTOR HOLDER	
	XE3106004	TOUCH PANEL ASSY (LB6770)		29	0A5300806	SCREW PAN (S/P WASHER) M3X8	
	XE3901001	TOUCH PANEL ASSY (NV900D)		30	XA8474021	UPSET 4X12 DB	
	XE3901002	TOUCH PANEL ASSY (NV900)		31	XC2685051	T BELT494-2GT-6	
	XE3106006	TOUCH PANEL ASSY (SE400)	1000016266	32	XC8816021	FOOT CONTROLLER: FC-322-81-LF (OTHER)	
	XE3106007	TOUCH PANEL ASSY (LB6800)	1000016710		XD0501021	FOOT CONTROLLER: FC-322-LF-EU (EU) (Except: NV900: RUS)	1000010886
8	XE3653001	FC JACK SUPPLY ASSY: CCOM					
9	XD1973021	NUT F					
10	XE3183001	INLET ASSY: CCOM UL (120V)					
	XE4205001	INLET ASSY: CCOM EU (230V)					
	XE3267001	INLET ASSY: CCOM (120V) (NV900: RUS)	1000010760				
11	XE3654001	POWER PCB SUPPLY ASSY 120: CCOM (120V)					
	XE4293001	POWER PCB SUPPLY ASSY 230: CCOM (230V)					
12	XE3039101	INSULATION COVER	1000009400				
13	XE3040101	INSULATION PLATE	1000017054				
14	XE3041001	POWER LEAD WIRE ASSY: CCOM					
15	085311015	TAPTITE BIND B M3X10					
16	XE3042001	CARD CONNECT COVER					
	XE4290001	CARD CONNECT COVER SUPPLY ASSY (SE350, LB6770)					
17	060400516	SCREW BIND M4X5					
18	XA0286021	WIRE CLIP					
19	XE3043001	CORD GUIDE					
20	XE3044001	CORD GUIDE A					
21	060400816	SCREW BIND M4X8					
22	XE3318001	INSULATE SHEET CCOM BACK					
23	XE3045001	SUPPORTER MAIN PWB					
24	X53169020	BAND					
25	XC6052021	POWER SUPPLY CORD: UL CSA-LF (OTHER)					
	XA0070121	POWER SUPPLY CORD (EU, SIN, TUR)	1000010034				

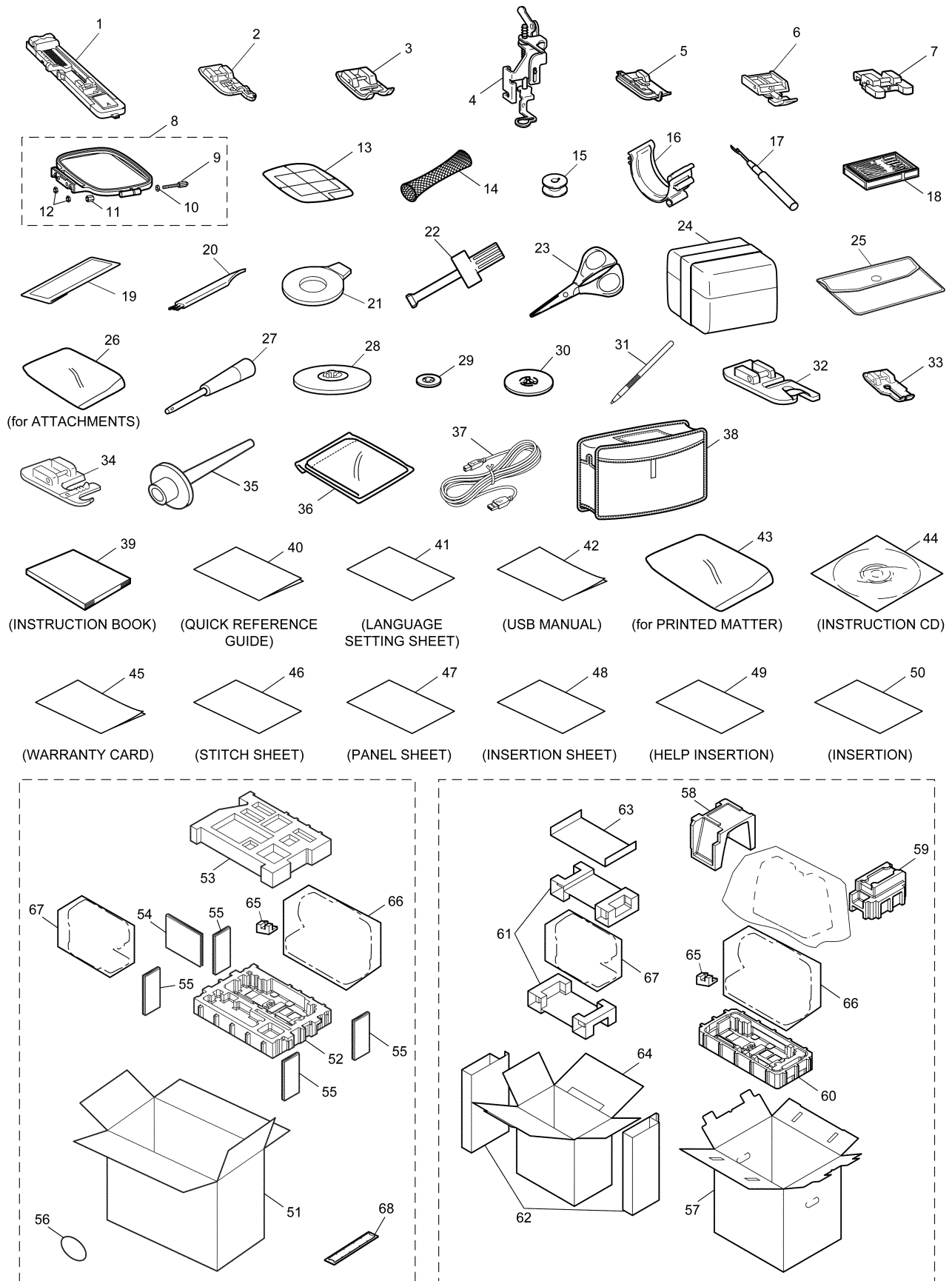
# (7) EMBROIDERY UNIT



## (7) EMBROIDERY UNIT

No.	CODE	NAME	REMARKS	No.	CODE	NAME	REMARKS
1	XC3807021	MAIN FRAME ASSEMBLY		45	XE3052001	ES COVER D	
2	XC4153020	X GEAR		46	X59853020	RUBBER CUSHION	
3	048030346	RETAINING RING E3		47	XA1899021	SPRING	
4	XC4154020	X DRIVING GEAR		48	XC3824121	HANDLE	
5	X53330020	WASHER		49	XA5352020	CORD PRESSER	
6	X58715021	T BELT 40S2M400		50	XE3375001	ES TOP COVER (NV900)	
7	048060346	RETAINING RING E6			XE3375002	ES TOP COVER (NV900D)	
8	XA5308021	X TENSION PULLEY ASSY		51	XE3058001	ES FOOT COVER (NV900)	
9	<del>XA6907021</del>	SCREW 4X8	1000008304	52	087411416	TAPTITE CUP B M4X14 (NV900)	
10	XC3809021	X CARRIAGE GUIDE PLATE ASSY		53	XE3059001	ES FOOT (NV900)	
11	XA5314020	CORD GUIDE		54	XD1223021	ADJUSTING FOOT (NV900)	
12	XC3811021	MOTOR, PULSE: Y SMJ35-4823-C		55	021400206	NUT 2 M4 (NV900)	
13	XC7564021	SCREW, PAN (S/P WASHER) M3X6		56	XA6281020	Y PRESSER PLATE	
14	XA5316021	X GUIDE SHAFT		57	XA6334020	SHUTTER PRESSER PLATE	
15	XA5317120	X SLIDER		58	XA6152021	ROLLER ASSY	
16	XA5318120	X BELT PRESSER		59	XC5001021	LEAD WIRE ASSY, YPM	
17	0A4400806	SCREW PAN (S/P WASHER) M4X8	1000008304	60	X53169020	BAND	
18	XC5350020	X SHUTTER		61	X52318021	COACHING CLIP CS-2	
19	XE3182001	LEAD WIRE ASSY: EMB UNIT		62	085310815	TAPTITE BIND P M3X8	
20	085301616	TAPTITE BIND P M3X16		63	XE3053001	ES TOP COVER ASSY (NV900)	1000015338
21	XE3176001	XSENS PCB ASSY: CCOM			XE3053002	ES TOP COVER ASSY (NV900D)	1000015338
22	000020416	SCREW BIND M2X4	1000016096	64	XE7511001	EMBROIDERY SUPPLY ASSY (OTHER)	1000016800
23	XC3815021	MOTOR, PULSE: X SMJ40-4888-A			XE7628001	EMBROIDERY SUPPLY ASSY EU (NV900: EU)	1000020180
24	0A4300506	SCREW, PAN (S/P WASHER) M3X5			XC2208001	BAG 240X330H	1000012991
25	XA5324221	X CARRIAGE ASSY					
26	XC4155020	Y GEAR					
27	048020346	RETAINING RING E2					
28	XC4156120	Y DRIVING GEAR	1000010097				
29	XA5330021	T BELT 40S2M316					
30	XA6151021	Y TENSION PULLEY ASSY					
31	XA5338021	Y CARRIAGE					
32	XC5287121	NOTCHED SPRING					
33	XA5340121	Y GUIDE SHAFT					
34	103810022	WASHER, WAVE SPRING					
35	048040346	RETAINING RING E4					
36	XA5341120	Y SHUTTER	1000017052				
37	XA5342120	Y SLIDER					
38	XA8390021	SCREW					
39	XE3178001	YSENS PCB ASSY: CCOM					
40	XA5346020	CORD HOLDER					
41	060300416	SCREW BIND M3X4					
42	087411416	TAPTITE CUP B M4X14					
43	XC2133025	CARRIAGE COVER					
44	XE3398001	ES COVER U					

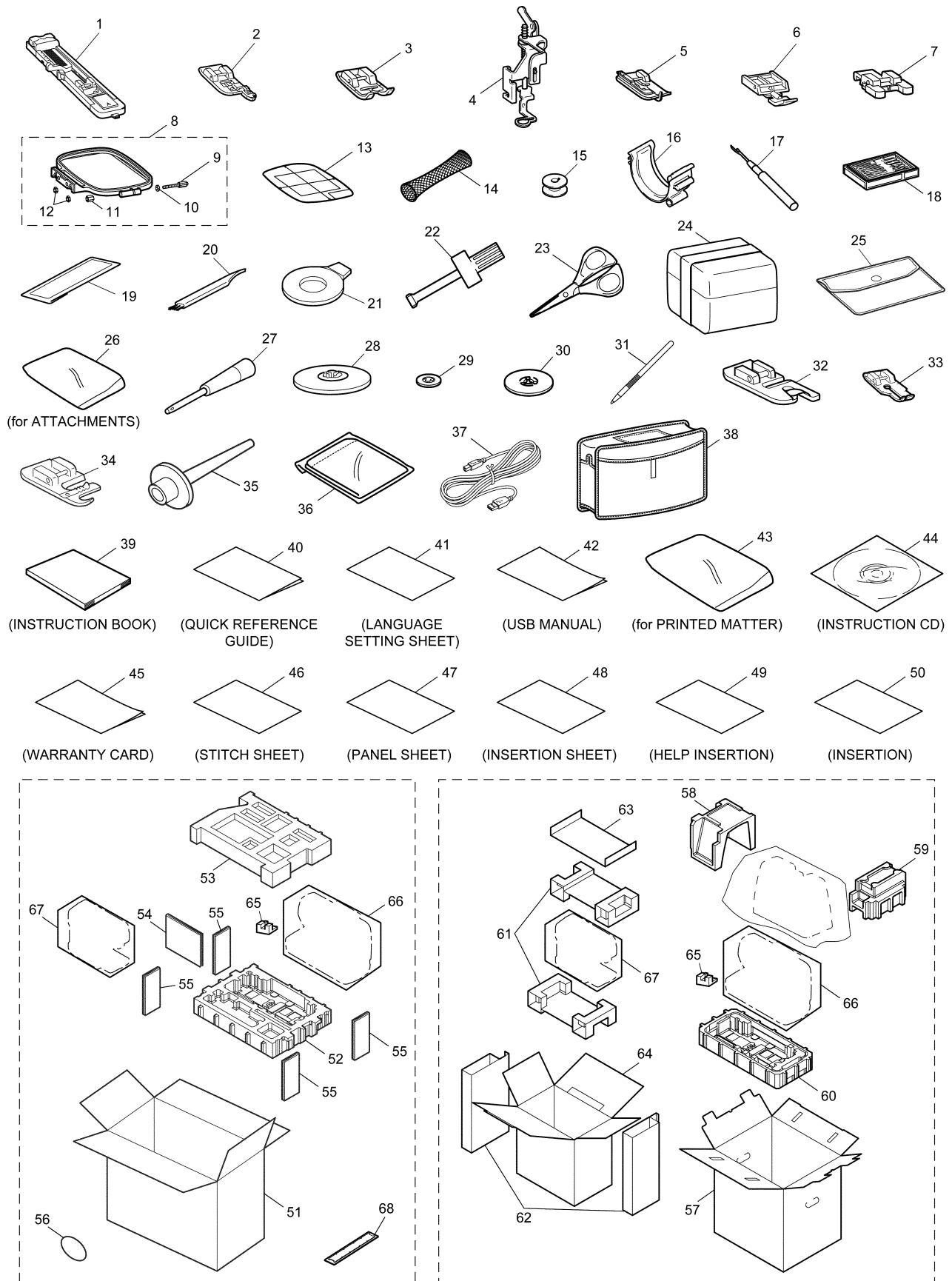
# (8) ATTACHMENTS / PRINTED MATTER / PACKING MATERIALS



## (8) ATTACHMENTS / PRINTED MATTER / PACKING MATERIALS

No.	CODE	NAME	REMARKS	No.	CODE	NAME	REMARKS
ATTACHMENTS				PRINTED MATTER			
1	XC2691023	BH PRESSER FOOT ASSY		39	XE3116201	INSTRUCTION BOOK EG (HE240, LB6770, LB6800)	1000017052
2	XE6305101	OVERCASTING STITCH FOOT ASSY	1000017761		XE3117201	INSTRUCTION BOOK SP (HE240, LB6770, LB6800)	1000017052
3	XD0810031	TRANSPARENCY PRESSER FOOT			XE3848101	INSTRUCTION BOOK ENG (NV900D: U.S.A., CAN, NV900: IRE, UK, EEU, NEU, SIN, AUS, HKG, <b>TUR</b> )	1000010034
4	XD0474151	EMBROIDERY PRESSER ASSEMBLY	1000008446		XE3905001	INSTRUCTION BOOK GER (NV900: GER, SWI, EEU)	
5	XC4051031	BLIND STITCH FOOT ASSY			XE4528001	INSTRUCTION BOOK ITA (NV900: ITA, SWI)	1000007091
6	X59370021	ZIPPER FOOT			XE4299001	INSTRUCTION BOOK FRE (NV900D: CAN, NV900: FRA, SWI)	1000006472
7	XE2137001	BUTTON SEWING FOOT			XE4460001	INSTRUCTION BOOK SPA (NV900D: CHL, NV900: SPA)	1000006897
8	XA5353102	EMBROIDERY FRAME S2M			XE3881201	MYLAR INSTRUCTION ASSY ENG (SE350, SE400)	1000007566
9	XE4590001	THUMB SCREW	1000007815		XE3882201	MYLAR INSTRUCTION ASSY SPA (SE350, SE400)	1000007566
10	X59422001	WASHER			XE4774101	INSTRUCTION BOOK FR (HE240: CAN)	1000017179
11	XA6982001	NUT			XE4527001	INSTRUCTION BOOK RUS (NV900: RUS)	1000008109
12	021300106	NUT 1 M3			XE5385001	INSTRUCTION BOOK DUT (NV900: NLD)	1000009543
13	XA5590121	EMBROIDERY SHEET S2M ASSY			XE5298001	INSTRUCTION BOOK KOR (NV900: KOR)	1000009695
14	XA5523020	NET			XE5835001	INSTRUCTION BOOK BR (BRA)	1000010760
15	X52800120	BOBBIN			XE3850001	INSTRUCTION BOOK: DISNEY V37 (NV900D)	
16	XE3060001	BOBBIN CLIP		40	XE3118001	QUICK REFERENCE GUIDE EN (HE240: U.S.A., SE350, LB6770, SE400, LB6800)	
17	<b>XZ5082001</b>	SEAM RIPPER	<b>1000020346</b>		XE3849001	QUICK REFERENCE GUIDE ENG (NV900D, NV900: EXCEPT RUS)	
18	X58358021	Z NEEDLE ASSY			XE4775001	QUICK REFERENCE GUIDE EG/FR (HE240: CAN)	1000007792
19	X59296121	TWIN NEEDLE (1PC)			XE4530001	QUICK REFERENCE GUIDE (NV900: EEU, RUS, NEU)	
20	X59476021	CLEANING BRUSH			XE5299001	QUICK REFERENCE GUIDE KOR (NV900: KOR)	1000009695
21	XC1074051	DISC-SHAPED SCREWDRIVER	1000011717	41	XE3124001	LANGUAGE SETTING SHEET (HE240, SE350, LB6770, SE400, LB6800)	
22	XC4237021	DRIVER ASSY			XE4199001	LANGUAGE SETTING SHEET (NV900D, NV900: IRE, UK, FRA, SPA, SWI, EEU, RUS, NEU)	
23	XC1807121	SCISSORS		42	XE7711001	USB MANUAL (HE240, SE400, LB6800)	1000016888
24	XE3062002	POUCH ASSY (HE240)		43	130800021	BAG 230X310H	1000011228
	XE3062003	POUCH ASSY (NV900D, NV900)					
25	XC4487021	ACCESSORY BAG (SE350, LB6770, SE400, LB6800)					
26	X57367021	BAG 135X150 (HE240, NV900D, NV900)					
27	XZ5051001	PUNCH	1000018459				
28	130012024	SPOOL PRESSER A					
29	130013124	SPOOL PRESSER B					
30	XE1372001	SPOOL PRESSER C					
31	XE3069001	TOUCH PEN					
32	XE0754001	NARROW HEMMER FOOT (HE240)					
33	XA3805021	1/4'QUILTING FOOT (HE240)					
34	XE0741001	CORDING FOOT ASSY (HE240)	1000009219				
35	XE2241001	EXTRA SPOOL PIN					
36	XC4842022	DUST COVER ASSY (SE350, LB6770, SE400, LB6800)					
37	XD0745051	USB I/F CORE CABLE (HE240, NV900D, NV900, SE400, LB6800)					
38	XC3839021	SEWING MACHINE CASE ASSY (HE240)					

# (8) ATTACHMENTS / PRINTED MATTER / PACKING MATERIALS

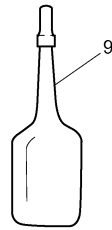
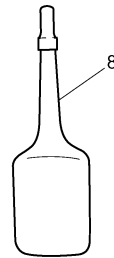
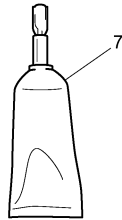
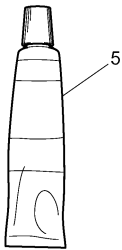
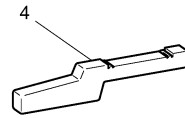
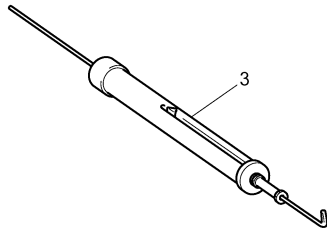
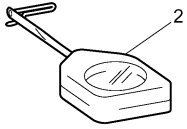
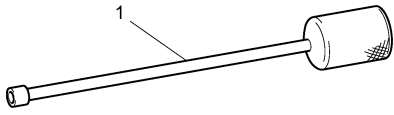


## (8) ATTACHMENTS / PRINTED MATTER / PACKING MATERIALS

No.	CODE	NAME	REMARKS	No.	CODE	NAME	REMARKS	
44	XE7728001	GUIDE CD (HE240, SE350, LB6770, SE400, LB6800)	1000017052	PACKING MATERIALS				
					(HE240, SE350, LB6770, LB6800)			
	XE3851001	EMBROIDERY CD (NV900D, NV900)		51	XE3149001	CARTON (HE240)		
	XE4529001	INSTRUCTION CD (NV900: NEU)	1000008109		XE3150101	COLOR CARTON (SE350)	1000007586	
45	XC0380021	WARRANTY CARD (HE240: U.S.A., SE350, LB6770, SE400, LB6800)			XE3875001	COLOR CARTON (LB6770)		
	XC8946021	WARRANTY CARD C (NV900D: U.S.A.)			XE7596001	COLOR CARTON MODEL: SE-400 (SE400)	1000016266	
	LA1661004	WARRANTY CARD EURO CH (NV900) (EXCEPT: SPA, RUS, SIN, AUS, DEU, AUT, EEU)	1000017863		XE7736001	COLOR CARTON MODEL: LB-6800 (LB6800)	1000016710	
	<del>XE5609101</del>	WARRANTY CARD 5YEARS ITA (NV900: ITA)	1000017863	52	XE3154001	POLYSYRENE FOAM PAD BOTTOM		
	XE8671001	WARRANTY CARD BROTHER CANADA (CAN)	1000018691	53	XE3155001	POLYSYRENE FOAM PAD TOP		
	<del>XE5572001</del>	WARRANTY CARD BROTHER RUS (RUS)	1000017863	54	XE3156001	CENTER PAD D		
	XC6402021	WARRANTY CARD UK (NV900: U.K.)	1000017863	55	XE3157001	SIDE PAD D		
	LW3135001	CEE WARRANTY CARD (NV900: EEU)	1000016851	56	XE7106001	BONUS STICKER (SE350: USA)	1000014641	
	XE4547001	WARRANTY CARD BR HEM (BRA)	1000010760	(NV900D, NV900)				
	<del>XE5641001</del>	REGISTRATION CARD ITA (NV900: ITA)	1000017863	57	XE3852001	CARTON (NV900D)		
	XE3332001	MASS WARRANTY CARD (NV900: HKG)	1000010034		XE3906001	CARTON (NV900: EXCEPT RUS)		
					XE4938001	CARTON (NV900: RUS)	1000008109	
	46	XE3688001	STITCH SHEET (HE240)		58	XE3152001	POLYSYRENE FOAM PAD TOP L	
	47	XE3577001	PANEL SHEET ASSY (HE240, NV900D)		59	XE3153001	POLYSYRENE FOAM PAD TOP R	
	48	XE3830001	INSERTION SHEET (HE240: U.S.A.)		60	XE3158001	POLYSYRENE FOAM PAD BOTTOM	
XE3863001		INSERTION SHEET V37 (NV900D)		61	XE3159001	ES PAD D		
XD0256121		INSERTION WEEE (NV900: EXCEPT RUS, SIN, AUS, HKG)	1000010034	62	XE3161001	SIDE PAD D		
XE4888001		NOT RETURN INSERTION SHEET (SE350, SE400)	1000007964	63	XE3162001	TOP PAD D		
XE4776001		INSERTION SHEET EG/FR (HE240: CAN)	1000007792	64	XE3163001	ES CARTON		
49	XE7925001	HELP INSERTION ASSY (SE400)	1000016266	65	XC4762250	THREADER SUPPORT SF		
50	XE6623001	INSERTION (HE240: CAN)	1000014468	66	X60439121	BAG 630X630T	1000013225	
	XE8541001	INSERTION (for INNER ROTARY HOOK & INNER ROTARY HOOK BRACKET: EXCEPT: USA, CAN)	1000018357	67	X60679021	BAG, 450X400H		
	XE8340001	INSERTION (for INNER ROTARY HOOK & INNER ROTARY HOOK BRACKET: USA, CAN)	1000018358	68	LA6041001	SECURITY TAG (SE400, LB6800)	1000017601	
	XE8862101	INSERTION CE (NV900)	1000020015					



# SPARE PARTS





**brother**®

HE240/SE350/SE400/LB6770/LB6800/NV900D/NV900  
01A08HF885V31/33/35/37

01. 2008.  
08. 2010.