

brother®

Home Sewing Machine PARTS REFERENCE LIST

**MODEL: PE430/PE500
NV90E/HE1**

CONFIDENTIAL

Copyright © 2010 Brother Industries, Ltd.
All rights reserved.

Published: Oct.,2008
Revised: Apr.,2013

MODEL LIST

Model	Countries (Added Date)
NV90E	IND (May / 2011)
HE1	USA (Jul / 2011)
PE500	USA (Nov / 2011)
NV90E	UK&IRE (May / 2012)
NV90E	DEU&ITA&CHE (Oct / 2012)

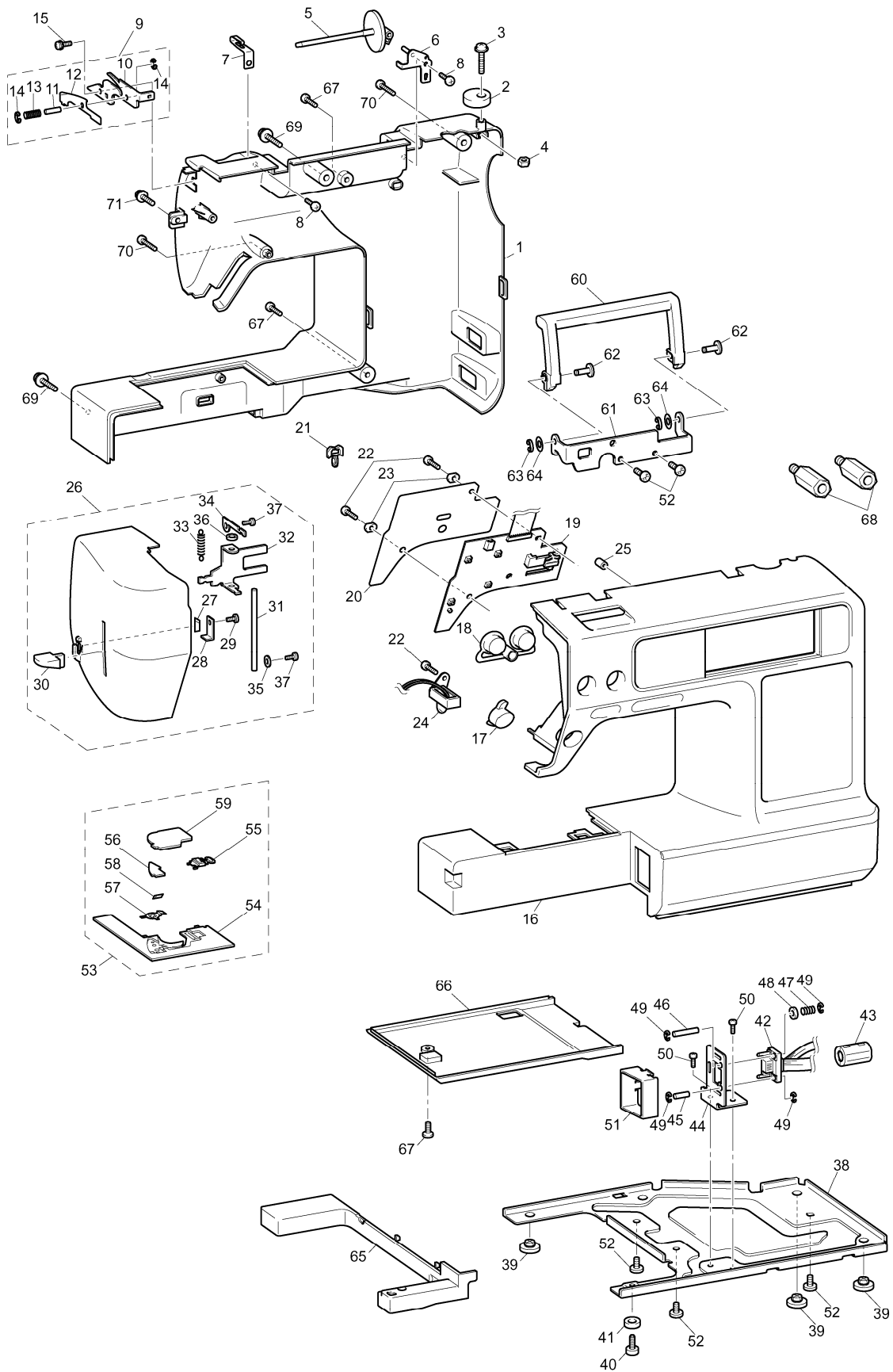
CONTENTS

(1) MAIN FRAME / COVER	2
(2) UPPER SHAFT / NEEDLE BAR / PRESSER FOOT UNIT	4
(3) FEED UNIT	6
(4) THREAD CUTTING UNIT.....	8
(5) BOBIN WINDING / NEEDLE THREADING MECHANISM...	10
(6) ELECTRIC PARTS / MAIN MOTOR UNIT	12
(7) EMBROIDERY UNIT	14
(8) ACCESSORY PARTS / USER MANUAL / PACKAGE.....	16
SPARE PARTS.....	18

Note on parts:

We keep performance parts for this sewing machine for at least 8 years after this model is discontinued. Performance parts are the necessary parts to maintain the function of the sewing machine.

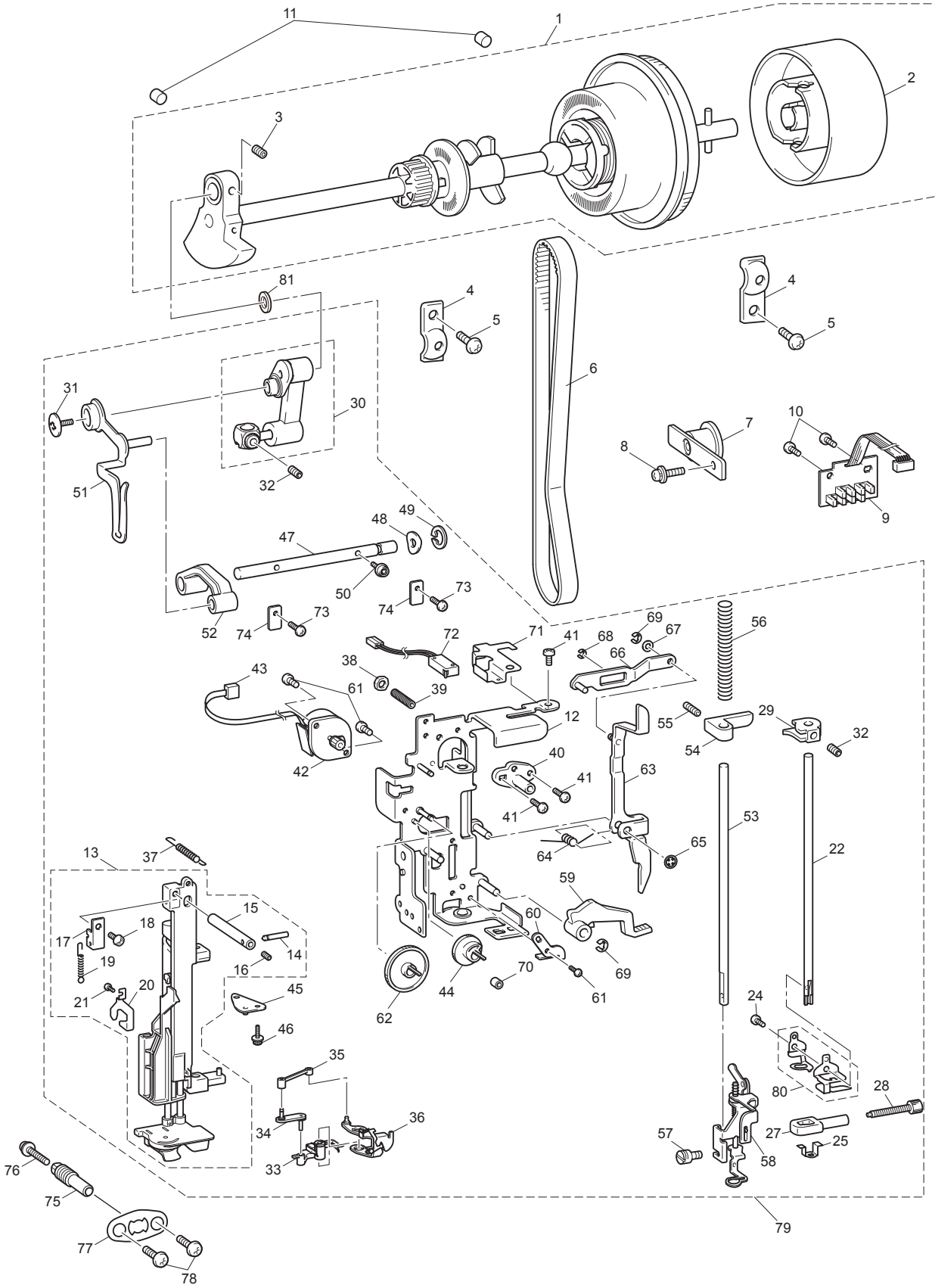
(1) MAIN FRAME / COVER



(1) MAIN FRAME / COVER

No.	CODE	NAME	REMARKS	No.	CODE	NAME	REMARKS
1	XE5481001	REAR COVER SUB ASSY		38	XE2941001	BASE PLATE	
2	XC4517151	BOBBIN PRESSER	1000018473	39	XA1805021	BASE RUBBER A	
3	0A4302006	SCREW PAN (S/P WASHER) M3X20		40	XC3471021	ADJUSTING SCREW	
4	021300106	NUT 1 M3		41	XC3472021	BASE PLATE RUBBER	
5	XA1786053	SPOOL PIN		42	XD0351051	LEAD WIRE ASSY MAIN BODY FCOMB	
6	XE1394001	SPOOL PIN HOLDER ASSY		43	XE1829001	FERRITE CORE:K1NF-75(N)BK2	
7	XE1490101	THREAD GUIDE SUPPORTING PLATE		44	XE2942001	CONNECTOR HOLDER	
8	085311216	TAPTITE BIND B M3X12		45	XD0353051	ES PIN F-A	
9	XE2910001	THREAD GUIDE PLATE ASSY		46	XD0945051	ES PIN F-B	
10	XE2911001	THREAD GUIDE PLATE		47	XD0967051	SPRING,COMPRESSION	
11	XE2912001	SHAFT		48	XC2514021	FEED BAR SPACER	
12	XE2913001	THREAD GUIDE SPRING		49	048020346	RETAINING RING E2	
13	X57605051	SPRING		50	060300516	SCREW BIND M3X5	
14	048020343	RETAINING RING E2	1000032908	51	XE3145001	CONNECTOR HOLDER COVER	
15	X59642021	SCREW		52	X57908021	TAPTITE,BIND S M4X10	
16	XE5552001	FRONT COVER SUPPLY ASSY:PE430 (PE430)		53	XD0354251	NEEDLE PLATE B ASSY	
	XE5553001	FRONT COVER SUPPLY ASSY:NV90E (NV90E)		54	XD0355251	NEEDLE PLATE B	
	XF1263001	FRONT COVER SUPPLY ASSY:HE1 (HE1)	1000026162	55	XC7371022	SLIDE BUTTON	
	XF2297001	FRONT COVER SUPPLY ASSY:PE500 (PE500)	1000028353	56	XD1666052	CUTTER COVER	
17	XE3096101	SS BUTTON	1000019614	57	XD1461051	NEEDLE PLATE COVER SPRING	
18	XE2929001	NP BUTTON		58	X80321021	NT LOWER THREAD CUTTER	
19	XE5274001	SSVR PCB ASSY:CEMB		59	XD1645021	NEEDLE PLATE COVER SUPPLY ASSY	
20	XE2935001	INSULATOR SHEET:CCOM SS		60	XE1447201	HANDLE	1000029226
21	XC3751021	MINI CLAMP:UAMS-02		61	XE2953001	HANDLE HOLDER	
22	085311016	TAPTITE BIND B M3X10		62	XE1449001	HANDLE SHAFT	
23	XC6363021	BOARD PRESSER		63	048040346	RETAINING RING E4	
24	XE2367001	LED LAMP RIGHT SUPPLY ASSY LE1		64	137713020	POLYESTER SLIDER	
25	XE3376001	RUBBER		65	XE2954001	BASE FOOT COVER	
26	XE2937001	FACE PLATE ASSY		66	XE5354001	BOTTOM COVER	
27	X80321021	NT LOWER THREAD CUTTER		67	060400816	SCREW BIND M4X8	
28	XE1435001	FACE PLATE CUTTER HOLDER		68	XE2956001	STUD	
29	138433021	TAPTITE,PAN B M3X6		69	087411416	TAPTITE CUP B M4X14	
30	XC9604051	NEEDLE THREAD LEVER KNOB		70	085301616	TAPTITE BIND P M3X16	
31	XA5825051	NEEDLE THREAD LEVER SHAFT		71	XC7568051	SCREW, PAN(S/P WASHER)M4X14	
32	XC3039151	NEEDLE THREAD LEVER					
33	138260051	THREAD THROUGH LEVER SPRING					
34	XA6320050	SHAFT PRESSER PLATE					
35	XA5525051	WASHER,PLAIN					
36	XC0508020	RUBBER WASHER					
37	085311016	TAPTITE BIND B M3X10					

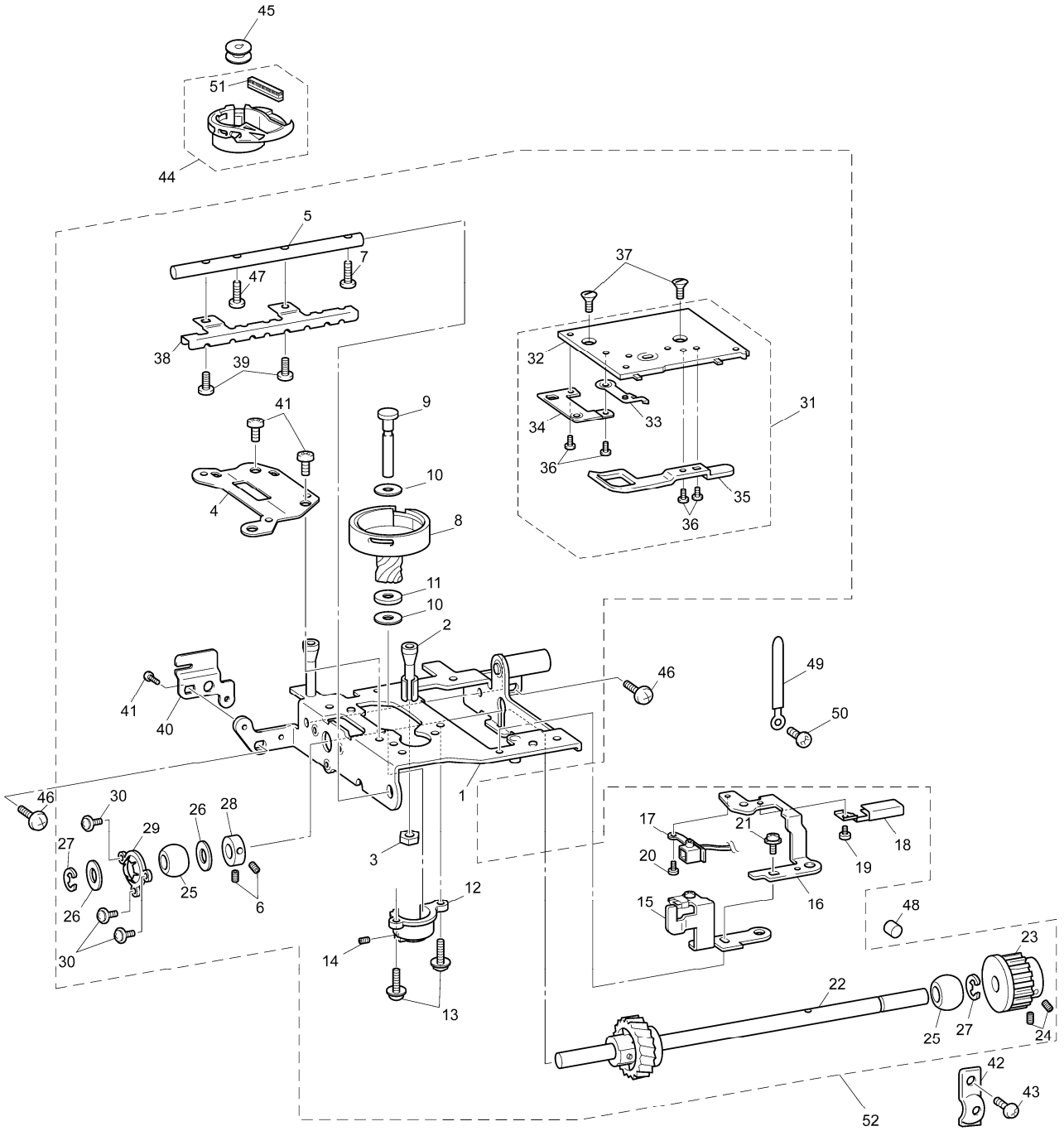
(2) UPPER SHAFT / NEEDLE BAR / PRESSER FOOT UNIT



(2) UPPER SHAFT / NEEDLE BAR / PRESSER FOOT UNIT

No.	CODE	NAME	REMARKS	No.	CODE	NAME	REMARKS
UPPER SHAFT MECHANISM				43	XE2976001	LEAD WIRE ASSY ZPM-CCOM	
1	XE3707001	UPPER SHAFT SUPPLY ASSY		44	XE2977001	Z ZIGZAG CAM	
2	XC2375051	PULLEY		45	XD1612051	NEEDLE HOLDER GUIDE ASSY	
3	012500532	SET SCREW SOCKET (FT) M5X5		46	XC3037021	SCREW3X10	
4	132421021	BUSHING PRESSER		47	XE1470101	TAKE-UP SUPPORT SHAFT	
5	X57908021	TAPTITE, BIND S M4X10		48	XZ5030001	WASHER, SPRING	
6	XE5842001	TIMING BELT 420-5KC-6	1000034635	49	048050346	RETAINING RING E5	
7	XE3581001	TENSION PULLEY ASSEMBLY		50	XC3338021	SCREW3X8	
8	138172021	SCREW, PAN (S/P WASHER) M4X10		51	XC8564031	THREAD TAKE-UP LEVER	
9	XE3036001	NP PCB ASSY CCOM		52	XC4897020	THREAD TAKE-UP LEVER LINK	
10	060400816	SCREW BIND M4X8		53	XC4898021	PRESSER BAR	
11	XC3183051	FELT		54	XC4899121	PRESSER BAR CLAMP	
NEEDLE BAR / PRESSER FOOT UNIT				55	XC7207021	SCREW STUD M5	
12	XE5357001	BASE HOLDER ASSY CE		56	XC4900021	SPRING	
13	XE2970001	NEEDLE BAR HOLDER ASSY		57	132730122	TIGHTENING SCREW 3.57	
14	XC2420020	SHAFT		58	XD0474151	EMBROIDERY PRESSER ASSEMBLY	
15	XC8754021	NEEDLE HOLDER SHAFT A		59	XE2982001	PRESSER FOOT LIFTER	
16	014300532	SET SCREW SOCKET (CP) M3X5		60	XE2983001	EMBROIDERY PRESSER STOPPER	
17	XC8755020	PLATE		61	060300416	SCREW BIND M3X4	
18	060300516	SCREW BIND M3X5		62	XE2984001	T CAM	
19	X50476021	SPRING		63	XE2985001	THREAD RELEASE LEVER ASSY	
20	XE1463001	HOOK RELEASE PLATE		64	XC4904121	SPRING	
21	0A4200606	SCREW PAN (S/P WASHER) M2X6		65	146200021	RETAINING RING, CS4	
22	XC2423021	NEEDLE BAR		66	XE2988001	THREAD RELEASER ASSY	
23	XE0041104	NEEDLE BAR THREAD-GUIDE-Q	1000016793	67	137713020	POLYESTER SLIDER	
24	X53053052	SCREW SM2.38		68	048020346	RETAINING RING E2	
25	XC2426020	NEEDLE THREAD PLATE		69	048040346	RETAINING RING E4	
26	XE0042104	NEEDLE THREAD-GUIDE-SPRING	1000016793	70	XC8773020	RUBBER	
27	XC2427051	NEEDLE BLOCK		71	XE1507001	PRESSER SWITCH HOLDER	
28	XZ0388251	NEEDLE CLAMP SCREW		72	XE2991001	PF SWITCH ASSY: CCOM	
29	XC2434021	NEEDLE THREAD BLOCK		73	X57908021	TAPTITE, BIND S M4X10	
30	XC6562131	NEEDLE BAR CRANK ROD ASSY		74	X50532021	PRESSER PLATE	
31	XE1999001	SCREW, FLAT SM3.57-40X7 L		75	XC2504050	ADJUSTING SCREW	
32	012400432	SET SCREW SOCKET (FT) M4X4		76	XZ0380051	SCREW, PAN (WASHER) M3X18	
33	XE1464501	THREADER HOOK ASSY	1000019655	77	XC6056120	PLATE SPRING	
34	XD1546051	LINK A ASSY		78	060400816	SCREW BIND M4X8	
35	XD1548151	LINK B		79	XE5554101	NEEDLE UNIT SUPPLY ASSY C-EMB	1000029344
36	XE1465001	THREAD GUIDE ASSY		80	XE7727201	N/B THREAD GUIDE SUPPLY ASSY	1000027848
37	XC2429021	SPRING		81	X53330020	WASHER	1000034663
38	X56851021	LOCK NUT					
39	014401232	SET SCREW SOCKET (CP) M4X12					
40	XC8756021	SHAFT BUSHING					
41	060300616	SCREW BIND M3X6					
42	XE2974001	Z PULSE MOTOR: M35SP-9N CCOM					

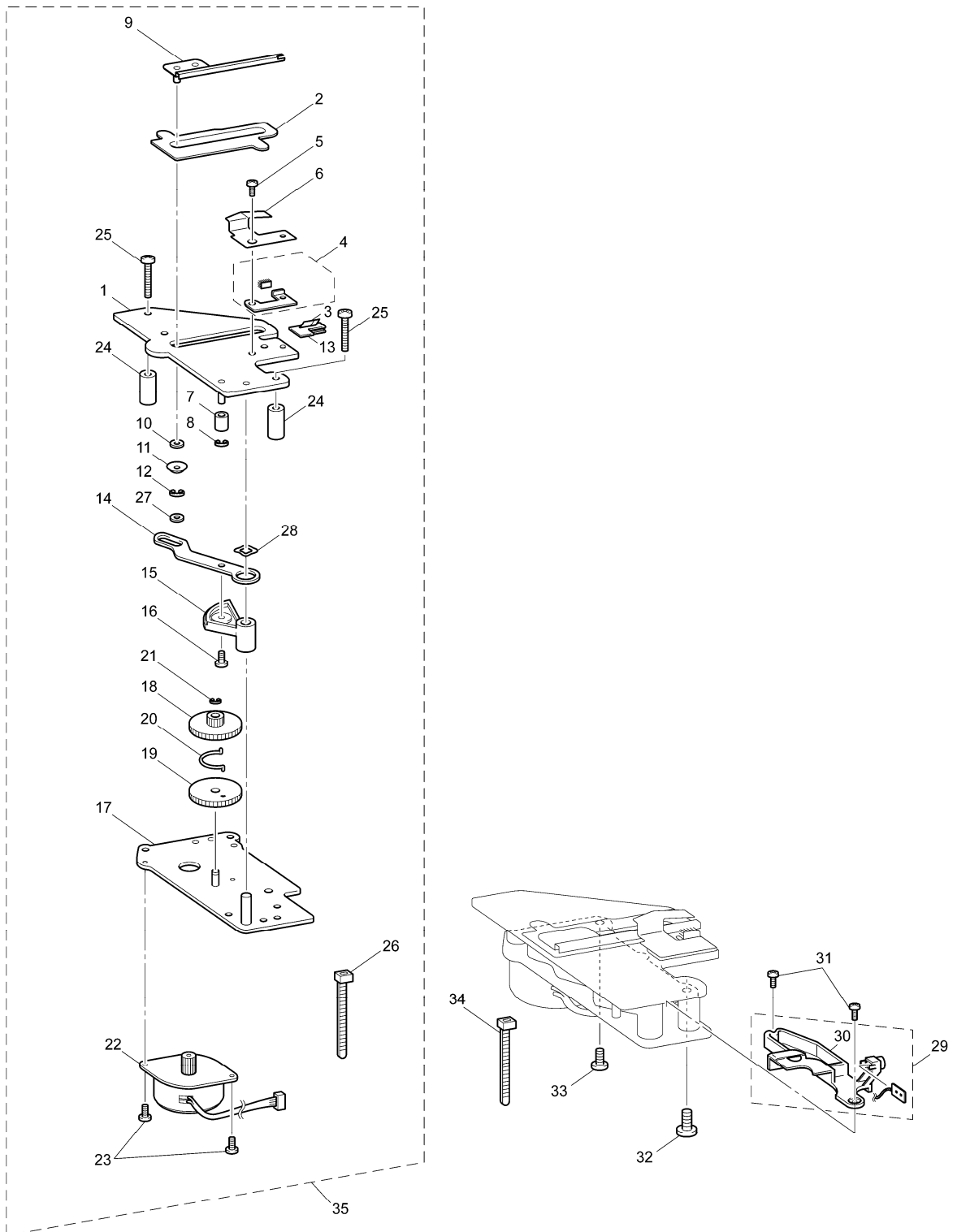
(3) FEED UNIT



(3) FEED UNIT

No.	CODE	NAME	REMARKS	No.	CODE	NAME	REMARKS
1	XE5359001	BASE PLATE ASSY		45	X52800120	BOBBIN	
2	XC8782021	NEEDLE PLATE SUPPORTER SHAFT B		46	XE1489001	STUD SCREW M4	
3	021300106	NUT 1 M3		47	060301206	SCREW BIND M3X12	
4	XE2994001	THREAD CUTTER MODULE SUPPORTER		48	XC3183051	FELT	
5	XE2995001	HORIZONTAL FEED SHAFT		49	XA0286021	WIRE CLIP	
6	014400432	SET SCREW SOCKET (CP) M4X4		50	060400516	SCREW BIND M4X5	
7	060301206	SCREW BIND M3X12		51	XD1856000	PILE	1000019976
8	XC2210021	OUTER ROTARY HOOK ASSY	1000023473				
9	XE1480001	OUTER ROTARY HOOK SHAFT		52	XE5555101	FEED UNIT SUPPLY ASSY C-EMB	1000029406
10	137805022	SPACER					
11	137976021	WASHER 6					
12	XE1481001	SHAFT SUPPORTER					
13	138172021	SCREW,PAN(S/P WASHER)M4X10					
14	014400632	SET SCREW SOCKET (CP) M4X6					
15	XE3650101	INNER ROTARY HOOK BRACKET ASSY	1000016400				
16	XE2998001	PHOTO DIODE SUPPORTER					
17	XE2999001	PHOTO DIODE HOLDER ASSY					
18	XC7866351	CORD HOLDER	1000012334				
19	060260316	SCREW BIND M2.6X3					
20	000020416	SCREW BIND M2X4	1000016096				
21	0A5300806	SCREW PAN (S/P WASHER) M3X8					
22	XE5360001	LOWER SHAFT ASSY					
23	XC4943021	TIMING PULLEY D					
24	014500532	SET SCREW SOCKET (CP) M5X5					
25	X52664020	LOWER SHAFT BUSHING					
26	X51383020	WASHER,THRUST					
27	048060346	RETAINING RING E6					
28	XC8798021	SET COLLAR					
29	XC4944021	BUSHING PRESSER B					
30	085310615	TAPTITE BIND B M3X6					
31	XE5361201	NEEDLE PLATE A ASSY	1000029406				
32	XE5362001	NEEDLE PLATE A					
33	XF2440001	STOPPER PLATE	1000030484				
34	XE1488001	NEEDLE PLATE B SUPPORT PLATE					
35	XD1623251	F GEAR STOPPER PLATE	1000025374				
36	060260316	SCREW BIND M2.6X3					
37	X50487021	SCREW M4					
38	XE3004001	LEAD WIRE GUIDE HOLDER					
39	060300416	SCREW BIND M3X4					
40	XE3005001	THREAD CUTTER MODULE SUPPORTER					
41	060400516	SCREW BIND M4X5					
42	132421021	BUSHING PRESSER					
43	X57908021	TAPTITE,BIND S M4X10					
44	XD1855351	INNER ROTARY HOOK ASSY	1000017150				

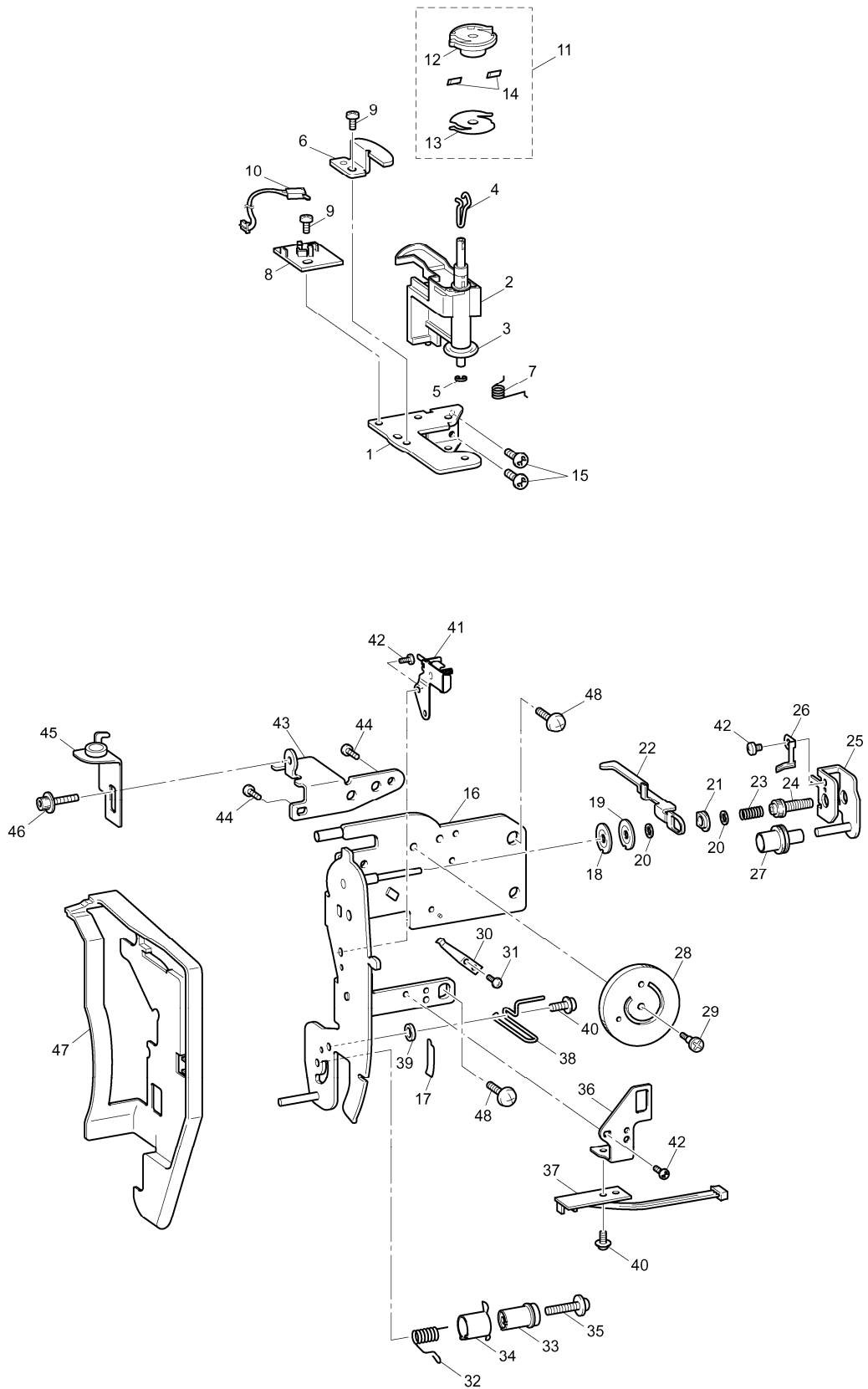
(4) THREAD CUTTING UNIT



(4) THREAD CUTTING UNIT

No.	CODE	NAME	REMARKS
1	XC9733051	THREAD CUTTER FRAME ASSY	
2	XC9735050	SPACER	
3	X80321021	NT LOWER THREAD CUTTER	
4	XE4994001	PRESSER PLATE ASSY	
5	060300516	SCREW BIND M3X5	
6	XC2598120	SPRING PLATE	
7	XC2587020	RUBBER	
8	048030346	RETAINING RING E3	
9	XC2583121	THREAD HOOK ASSY	
10	137713020	POLYESTER SLIDER	
11	X56731020	WASHER	
12	048040346	RETAINING RING E4	
13	XC9736050	CUTTER HOLDER	
14	XC2581221	THREAD CUTTER LEVER	
15	XC2582020	THREAD CUTTER LEVER GEAR	
16	0A4300605	SCREW PAN (S/P WASHER) M3X6	
17	XC2588321	MOTOR HOLDER ASSY	1000018482
18	XC2592020	IDLE GEAR A	
19	XC2593020	IDLE GEAR B	
20	X56323021	SPRING	
21	048020346	RETAINING RING E2	
22	XC2331121	MOTOR PULSE:C SMJ35-4840-B	
23	060300416	SCREW BIND M3X4	
24	XC2594121	COLLAR	
25	060402016	SCREW BIND M4X20	
26	X53169020	BAND	
27	137713020	POLYESTER SLIDER	
28	XC8407020	WAVE-SHAPE SPRING WASHER	
29	XE3186001	PHOTO TRANSISTOR ASSY	
30	XC9199051	SENSOR HOLDER	
31	0A4300605	SCREW PAN (S/P WASHER) M3X6	
32	060400516	SCREW BIND M4X5	
33	060300516	SCREW BIND M3X5	
34	X53169020	BAND	
35	XD0075352	THREAD CUTTER SUPPLY ASSY	1000018482

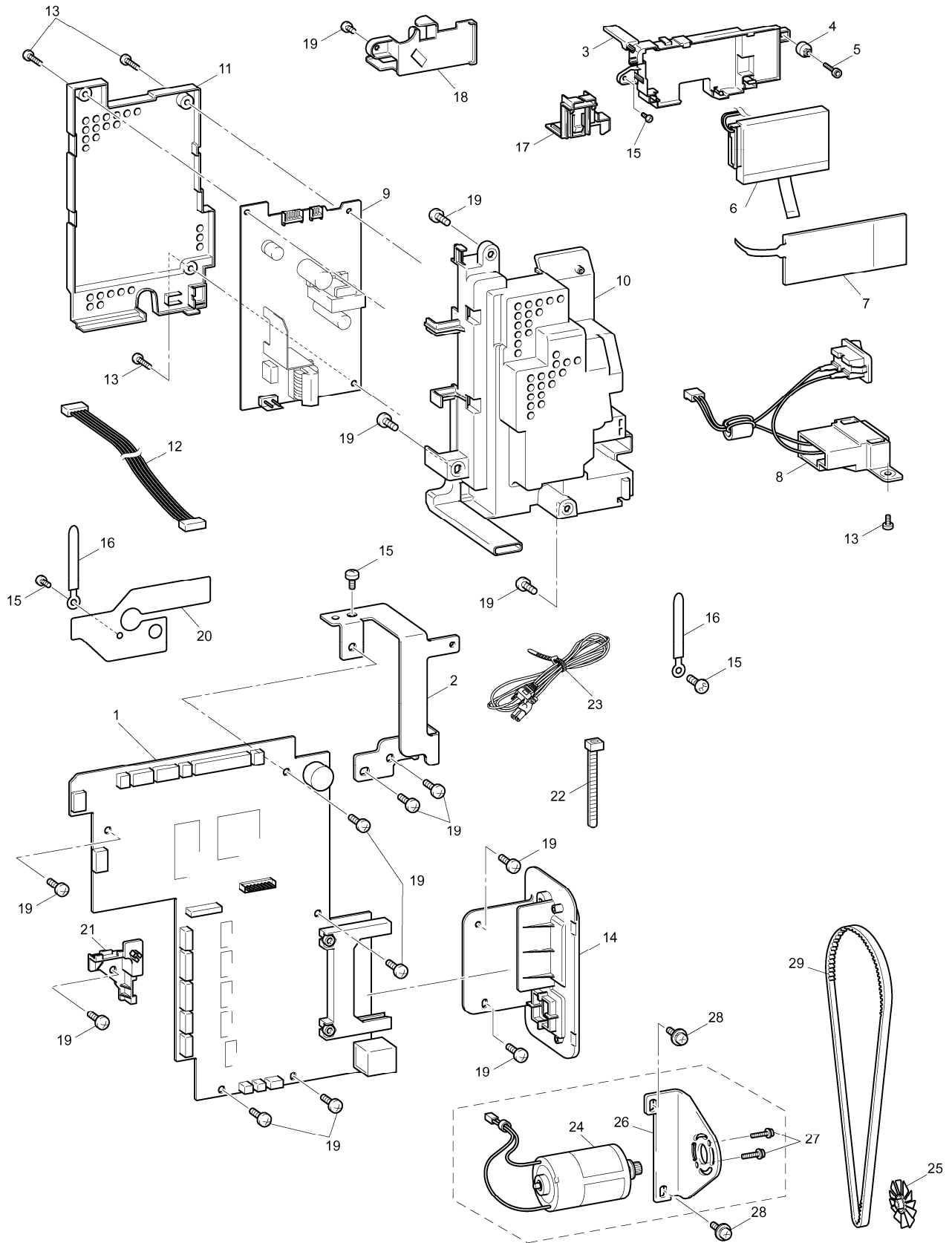
(5) BOBIN WINDING / NEEDLE THREADING MECHANISM



(5) BOBIN WINDING / NEEDLE THREADING MECHANISM

No.	CODE	NAME	REMARKS	No.	CODE	NAME	REMARKS
BOBIN WINDING MECHANISM				NEEDLE THREADING MECHANISM			
1	XE3008001	BOBBIN WINDER ASSEMBLY HOLDER		16	XE3011001	THREAD GUARD ASSEMBLY	
2	XE1495001	BW SHAFT HOLDER ASSEMBLY		17	XA9935050	SPRING TAPE	
3	X55238021	RUBBER RING		18	XA0083121	TENSION DISC A	
4	XZ5039001	BOBBIN WINDER SHAFT SPRING		19	XA0084121	TENSION DISC B	
5	048050343	RETAINING RING E5		20	XD0573021	WASHER	
6	XA2862021	BOBBIN WINDER SHAFT STOPPER		21	XA1388021	TENSION DISC WASHER	
7	XZ0070021	BOBBIN WINDER SPRING		22	XE1506001	THREAD RELEASE PLATE	
8	XC2614021	SW ADJUST PLATE		23	XE3014001	SPRING	
9	060300616	SCREW BIND M3X6		24	XE3015001	THREAD TENSION ADJUSTING SCREW	
10	XC2612051	SW ASSY:BW-F		25	XE3016001	THREAD TENSION PLATE ASSY	
11	XC9116021	BOBBIN BASE ASSY	1000034911	26	XE3019001	ADJUSTING SCREW SPRING PLATE	
12	XC2616051	BOBBIN BASE		27	XE3020101	THREAD TENSION ADJUSTING GEAR	1000033516
13	XA5877021	BOBBIN THREAD CUTTER HOLDER		28	XE3201001	THREAD TENSION DIAL	
14	X80321021	NT LOWER THREAD CUTTER		29	XC9234021	TENSION DIAL SHAFT	
15	X57908021	TAPTITE,BIND S M4X10		30	XE1924101	NOTCHED SPRING	
				31	062300416	SCREW PAN M3X4	
				32	XC6957121	THREAD TAKE UP SPRING	
				33	XD0377151	THREAD CATCHING SPRING CASE FE	
				34	XE5731001	THREAD CUTTING SHUTTER	
				35	0A4301806	SCREW, PAN (S/P WASHE) M3X18	
				36	XE3021001	THREAD SENSOR HOLDER	
				37	XE3022001	UPTHREAD PCB ASSY CCOM	
				38	XD0383050	THREAD GUIDE WIRE FE	
				39	XA9996051	WASHER,PLAIN	
				40	XC7564021	SCREW, PAN(S/P WASHER)M3X6	
				41	XE3025001	PLATE ASSEMBLY	
				42	060300416	SCREW BIND M3X4	
				43	XE3028001	THREAD GUARD HOLDER S	
				44	060300416	SCREW BIND M3X4	
				45	XE1519101	BOBBIN WINDER GUIDE ASSY	
				46	XC3037021	SCREW3X10	
				47	XE3029001	THREAD GUARD COVER	
				48	XE1489001	STUD SCREW M4	

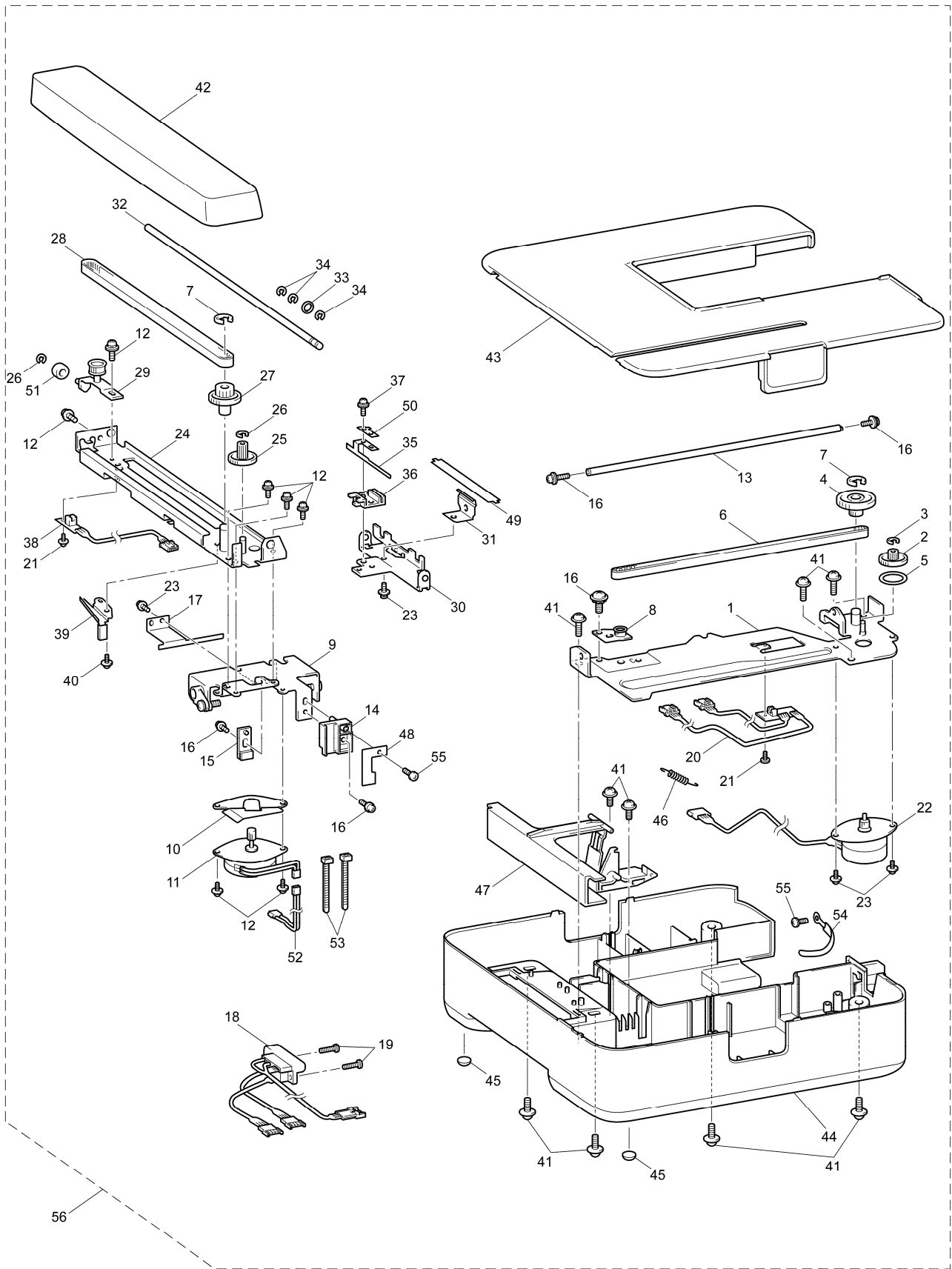
(6) ELECTRIC PARTS / MAIN MOTOR UNIT



(6) ELECTRIC PARTS / MAIN MOTOR UNIT

No.	CODE	NAME	REMARKS	No.	CODE	NAME	REMARKS
ELECTRIC PARTS				MAIN MOTOR UNIT			
1	XE5478101	MAIN PCB SUPPLY ASSY-B	1000026766	24	XE3266001	MAIN MOTOR SUB ASSY: CCOM	
2	XE3032001	LCD SUPPORTER			XE9044001	MAIN MOTOR SUB ASSY: CCOM-2 (200V)	1000020347
3	XE3033001	LIGHT PLATE ASSY			XE3180001	MAIN MOTOR SUB ASSY:CCOM V (HE1, PE500)	1000026162
4	XC2435020	ZIGZAG ADJUSTING NUT		25	XC3803120	MOTOR FAN	1000033777
5	018301232	BOLT SOCKET M3X12		26	XE3046001	MOTOR HOLDER	
6	XD0830151	LCD SUPPLY ASSY (~F1G*****)	1000028578	27	0A5300806	SCREW PAN (S/P WASHER) M3X8	
	XF2349001	LCD SUPPLY ASSY (G1G****~)	1000028578	28	XA8474021	UPSET 4X12 DB	
7	XE5363003	TOUCH PANEL ASSY (HE1)	1000026162	29	XC2685051	T BELT494-2GT-6	
	XE5363004	TOUCH PANEL ASSY (PE500)	1000028353				
	XE5363001	TOUCH PANEL ASSY (OTHER)					
8	XE3267001	INLET ASSY:CCOM (120V)					
	XE4205001	INLET ASSY:CCOM EU (230V)					
	XE3183001	INLET ASSY:CCOM UL (HE1, PE500)	1000026162				
9	XE3654001	POWER PCB SUPPLY ASSY 120:CCOM (120V)					
	XE4293001	POWER PCB SUPPLY ASSY 230:CCOM (230V)					
10	XE3039101	INSULATION COVER					
11	XE3040101	INSULATION PLATE	1000017054				
12	XE3041001	POWER LEAD WIRE ASSY:CCOM					
13	085311016	TAPTITE BIND B M3X10	1000024772				
14	XE3042001	CARD CONNECT COVER					
15	060400516	SCREW BIND M4X5					
16	XA0286021	WIRE CLIP					
17	XE3043001	CORD GUIDE					
18	XE3044001	CORD GUIDE A					
19	060400816	SCREW BIND M4X8					
20	XE3318001	INSULATE SHEET CCOM BACK					
21	XE3045001	SUPPORTER MAIN PWB					
22	X53169020	BAND					
23	XC6052021	POWER SUPPLY CORD:UL CSA-LF (USA)	1000026162				
	XD0111151	POWER SUPPLY CORD:IRAM (ARG)					
	XF0749001	POWER SUPPLY CORD:BRZ (BRA120V)	1000025696				
	XE4301001	POWER SUPPLY CORD:BRZ 220V (BRA220V)					
	X59354221	POWER SUPPLY CORD BS (UK&IRE)	1000035202				
	XA0070121	POWER SUPPLY CORD (OTHER)					

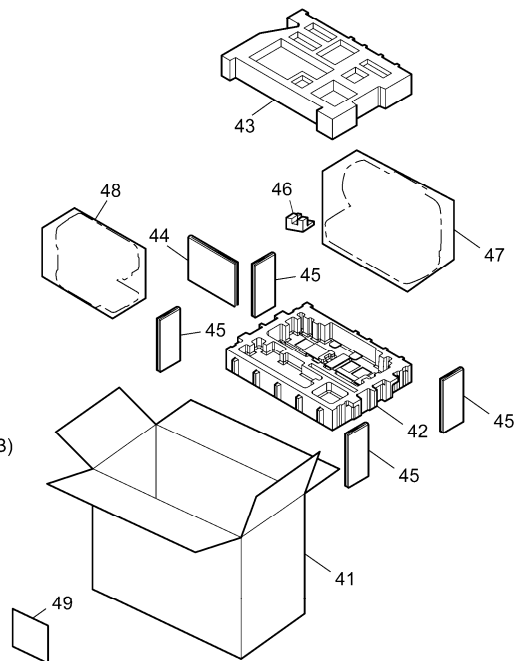
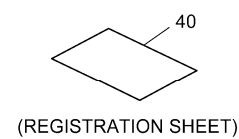
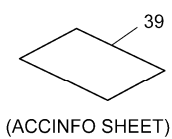
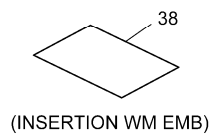
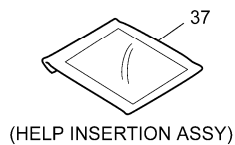
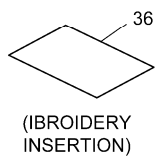
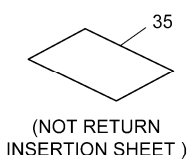
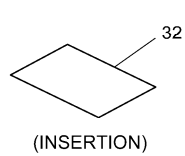
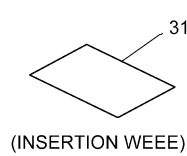
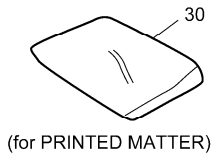
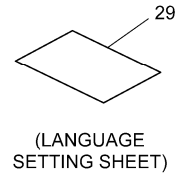
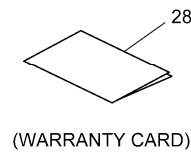
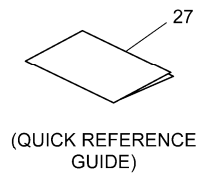
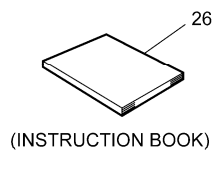
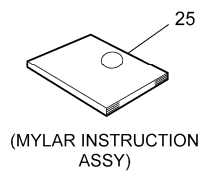
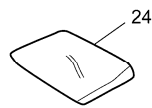
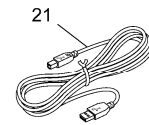
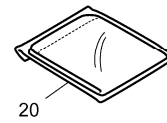
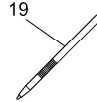
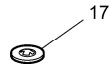
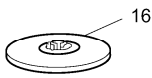
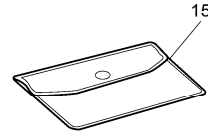
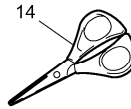
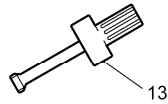
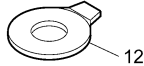
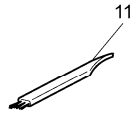
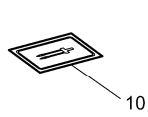
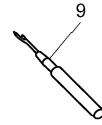
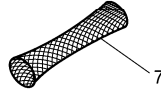
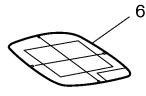
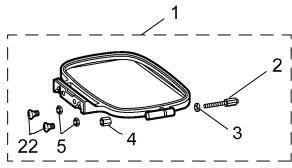
(7) EMBROIDERY UNIT



(7) EMBROIDERY UNIT

No.	CODE	NAME	REMARKS	No.	CODE	NAME	REMARKS
1	XC3807021	MAIN FRAME ASSEMBLY		45	X59853020	RUBBER CUSHION	
2	XC4153020	X GEAR		46	XA1899021	SPRING	
3	048030346	RETAINING RING E3		47	XC3824121	HANDLE	
4	XC4154020	X DRIVING GEAR		48	XA5352020	CORD PRESSER	
5	X53330020	WASHER		49	XA6281020	Y PRESSER PLATE	
6	X58715021	T BELT 40S2M400		50	XA6334020	SHUTTER PRESSER PLATE	
7	048060346	RETAINING RING E6		51	XA6152021	ROLLER ASSY	
8	XA5308021	X TENSION PULLEY ASSY		52	XC5001021	LEAD WIRE ASSY, YPM	
9	XC3809021	X CARRIAGE GUIDE PLATE ASSY		53	X53169020	BAND	
10	XA5314020	CORD GUIDE		54	X52318021	COACHING CLIP CS-2	
11	XC3811021	MOTOR,PULSE:Y SMJ35-4823-C		55	085300815	TAPTITE BIND P M3X8	
12	XC7564021	SCREW, PAN (S/P WASHER) M3X6		56	XE7628101	EMBROIDERY SUPPLY ASSY EU	1000025686
13	XA5316021	X GUIDE SHAFT			XE7511001	EMBROIDERY SUPPLY ASSY (OTHER)	1000016800
14	XA5317120	X SLIDER					
15	XA5318120	X BELT PRESSER					
16	0A4400806	SCREW PAN (S/P WASHER) M4X8					
17	XC5350020	X SHUTTER					
18	XE3182001	LEAD WIRE ASSY:EMB UNIT					
19	085301616	TAPTITE BIND P M3X16					
20	XE3176001	XSENS PCB ASSY:CCOM					
21	000020416	SCREW BIND M2X4	1000016096				
22	XC3815021	MOTOR,PULSE:X SMJ40-4888-A					
23	0A4300506	SCREW, PAN (S/P WASHER) M3X5					
24	XA5324221	X CARRIAGE ASSY					
25	XC4155020	Y GEAR					
26	048020346	RETAINING RING E2					
27	XC4156120	Y DRIVING GEAR					
28	XA5330021	T BELT 40S2M316					
29	XA6151021	Y TENSION PULLEY ASSY					
30	XA5338121	Y CARRIAGE	1000022851				
31	XC5287121	NOTCHED SPRING					
32	XA5340121	Y GUIDE SHAFT					
33	103810022	WASHER, WAVE SPRING					
34	048040346	RETAINING RING E4					
35	XA5341120	Y SHUTTER	1000017052				
36	XA5342120	Y SLIDER					
37	XA8390021	SCREW					
38	XE3178001	YSENS PCB ASSY:CCOM					
39	XA5346020	CORD HOLDER					
40	060300416	SCREW BIND M3X4					
41	087411416	TAPTITE CUP B M4X14					
42	XC2133025	CARRIAGE COVER					
43	XE3398001	ES COVER U					
44	XE3052001	ES COVER D					

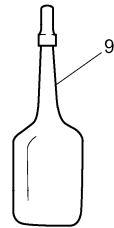
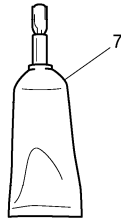
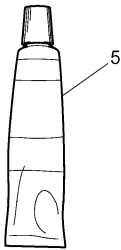
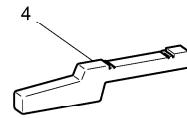
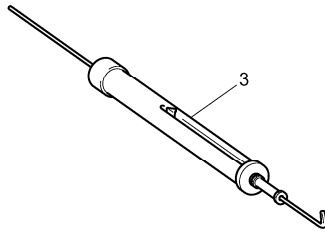
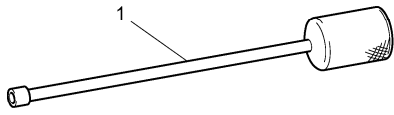
(8) ACCESSORY PARTS / USER MANUAL / PACKAGE



(8) ACCESSORY PARTS / USER MANUAL / PACKAGE

No.	CODE	NAME	REMARKS	No.	CODE	NAME	REMARKS
ACCESSORY PARTS							
1	XA5353102	EMBROIDERY FRAME S2M		32	XE8862201	INSERTION CE (TUR/SGP/UAE, AUS)	1000021700
2	XE4590001	THUMB SCREW			XF5734001	CE INSERTION 2	1000034881
3	X59422001	WASHER		33	XE9897001	UKRAINIAN ROHS INSERTION (RUS)	1000024008
4	XA6982001	NUT		34	XE9932001	GOST STICKER 29X27 (RUS)	1000024306
5	021300106	NUT 1 M3		35	XE4888001	NOT RETURN INSERTION SHEET (HE1)	1000026162
6	XA5590121	EMBROIDERY SHEET S2M ASSY		36	XF0904001	IBROIDERY INSERTION (HE1)	1000026162
7	XA5523020	NET		37	XF2373001	HELP INSERTION ASSY (PE500)	1000028353
8	X52800120	BOBBIN		38	XF2330001	INSERTION WM EMB (PE500)	1000028353
9	XZ5082001	SEAM RIPPER	1000020346	39	XC7488121	ACCINFO SHEET (PE500)	1000028353
10	X59535051	NEEDLE SET		40	XE9639001	REGISTRATION SHEET (USA)	1000029848
11	X59476021	CLEANING BRUSH		PACKAGE			
12	XC1074051	DISC-SHAPED SCREWDRIVER	1000011717	41	XE5368001	CARTON (PE430)	
13	XC4237021	DRIVER ASSY			XE5456001	CARTON (NV90E:RUS)	
14	XC1807121	SCISSORS			XE5455001	CARTON (NV90E:DEU, ITA, UK&IRE, CHE)	1000020732
15	XC4487021	ACCESSORY BAG			XE9447001	COLOR CARTON MODEL: NV90E (NV90E: SGP, IND)	1000020732
16	130012024	SPOOL PRESSER A			XF3277001	COLOR CARTON MODEL:HE1 (HE1)	1000029455
17	130013124	SPOOL PRESSER B			XF3887001	COLOR CARTON MODEL:PE500 (PE500)	1000030241
18	XE1372001	SPOOL PRESSER C		42	XE3154001	POLYSYRENE FOAM PAD BOTTOM	
19	XE3069001	TOUCH PEN		43	XE3155001	POLYSYRENE FOAM PAD TOP	
20	XE5387001	DUST COVER ASSY		44	XE3156001	CENTER PAD D	
21	XD0745051	USB I/F CORE CABLE		45	XE3157001	SIDE PAD D	
22	061300606	SCREW FLAT M3X6	ADD	46	XF2315101	THREADER SUPPORT SF	1000031437
23	XE3060001	BOBBIN CLIP (PE500)	1000028353	47	X60439121	BAG 630X630T	1000013225
24	X60838051	BAG,70X110C (PE500)	1000028353	48	X60679021	BAG,450X400H	
USER MANUAL				49	XZ5097001	GOST STICKER 36X36 (RUS)	1000025298
25	XF1095101	MYLAR INSTRUCTION ASSY ENG (English)	1000028617				
	XF1096101	MYLAR INSTRUCTION ASSY SPA (Spanish)	1000028617				
26	XE5365201	INSTRUCTION BOOK SPA (Spanish)	1000028617				
	XE5488001	INSTRUCTION BOOK BR (Portuguese)					
	XE5532001	INSTRUCTION BOOK RUS (Russian)					
	XE7486001	INSTRUCTION BOOK GER (German)	1000015323				
	XE8228001	INSTRUCTION BOOK ITA (Italian)	1000017376				
	XE5427201	INSTRUCTION BOOK ENG (English)	1000028617				
27	XE5366001	QUICK REFERENCE GUIDE					
28	XF2704001	WARRANTY SHEET FOR MASS (USA)	1000029848				
	XF6323001	2&5 WARRANTY FOR US (USA)	1000036117				
29	XE5367001	LANGUAGE SETTING SHEET					
30	130800021	BAG 230X310H	1000011228				
31	XF0300101	INSERTION WEEE	1000034540				
	XE8541001	INSERTION (for INNER ROTARY HOOK & INNER ROTARY HOOK BRACKET)	1000027042				

SPARE PARTS



brother®

PE430/NV90E/HE1/PE500
11K08HF885V51