



Home Sewing Machine

PARTS REFERENCE LIST

MODEL: NX200/NX200LE/NX200QE

NX200 PACESETTER

NX200 INNOV-IS

PC210/PC210PRW

MECHANISMS & ELECTRONICS

CONTENTS

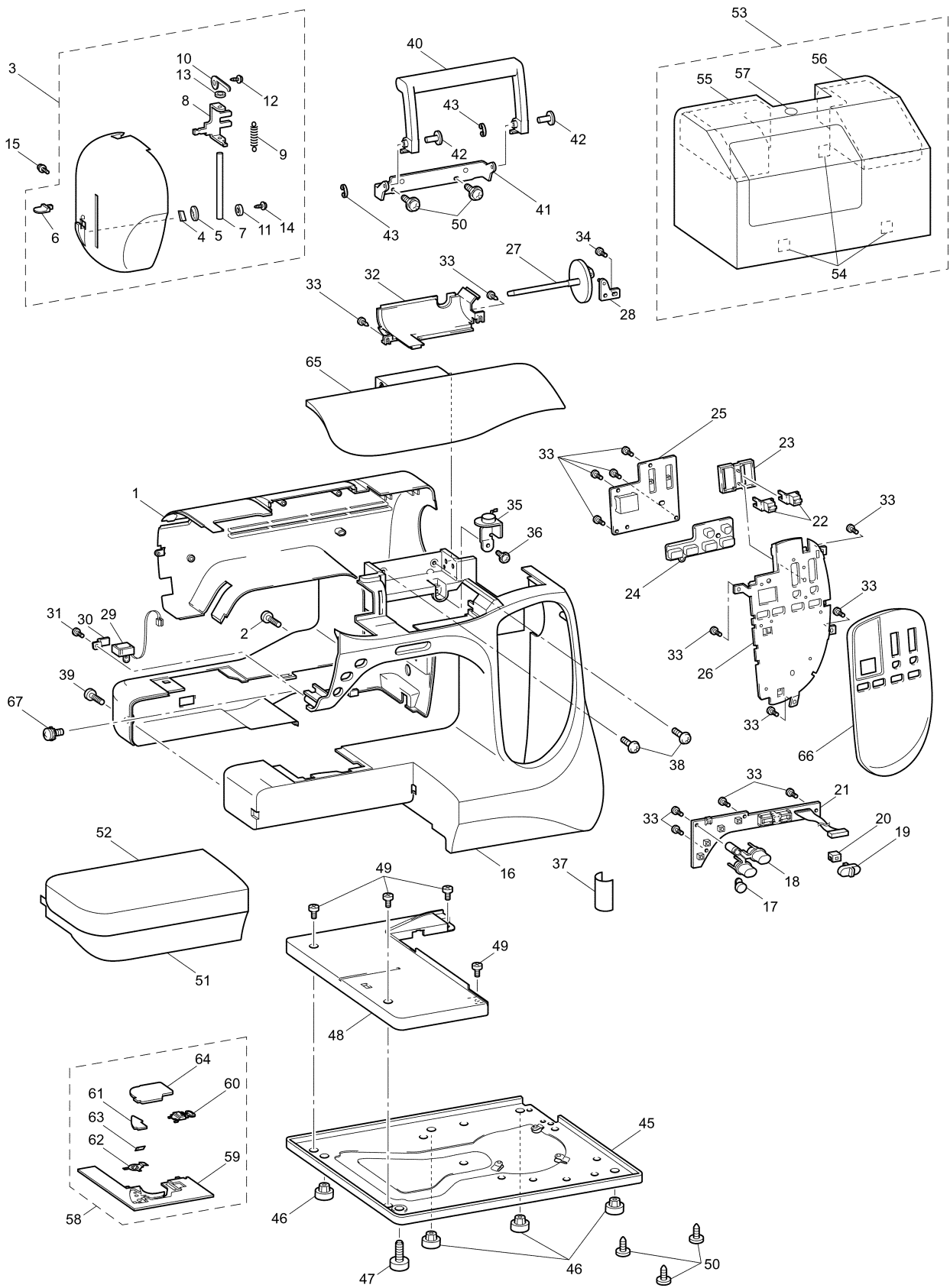
(1) PRINCIPAL PARTS.....	2
(2) UPPER SHAFT MECHANISM.....	4
(3) NEEDLE BAR, PRESSER / FEED, ROTARY HOOK MECHANISM	6
(4) ROTARY HOOK DRIVE / BOBBIN WINDER MECHANISM	8
(5) THREAD GUIDE MECHANISM.....	10
(6) ELECTRONIC PARTS / MOTOR UNIT	12
(7) ATTACHMENTS / PRINTED MATTER / PACKING MATERIALS.....	14
NEEDLE-PRESSER MODULE.....	16
FEED MODULE	20
Service Information	22

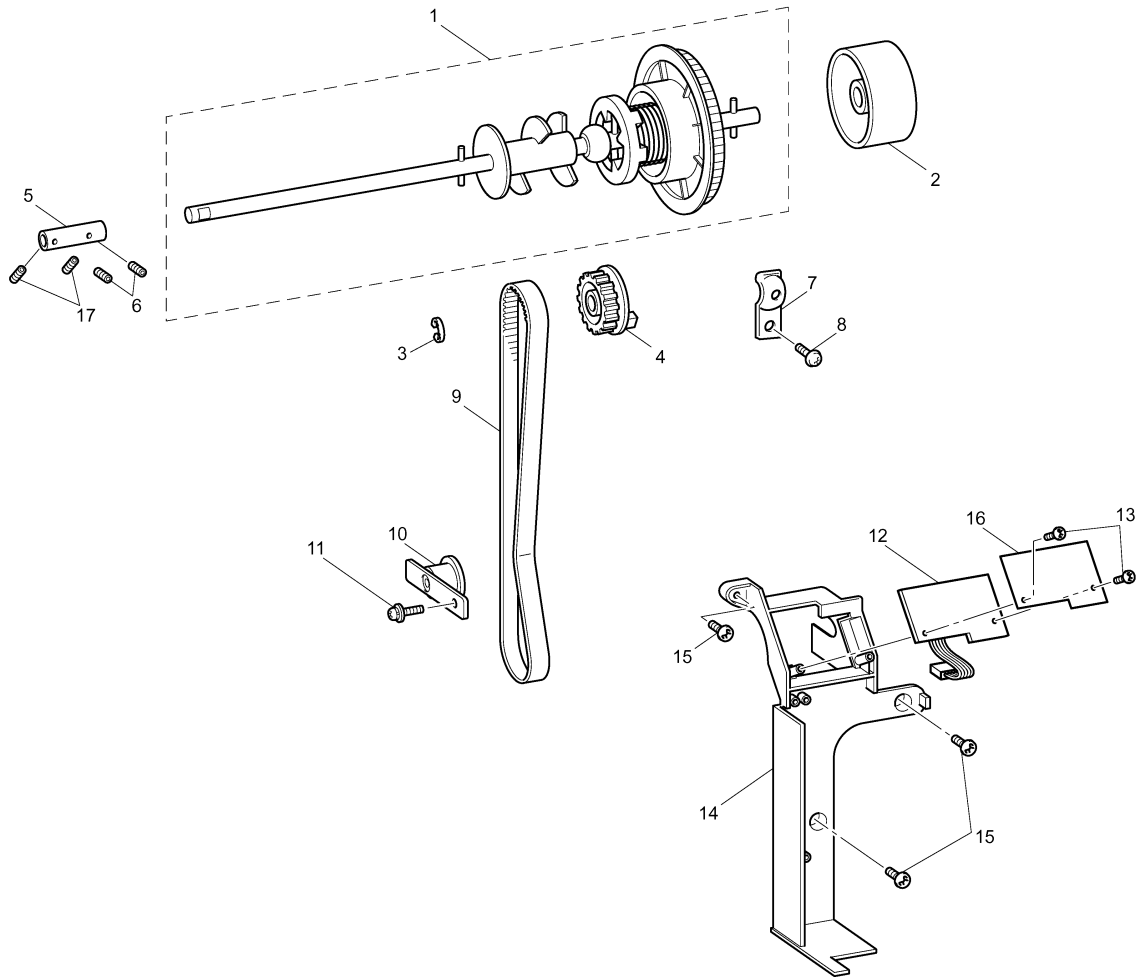
Note on parts:

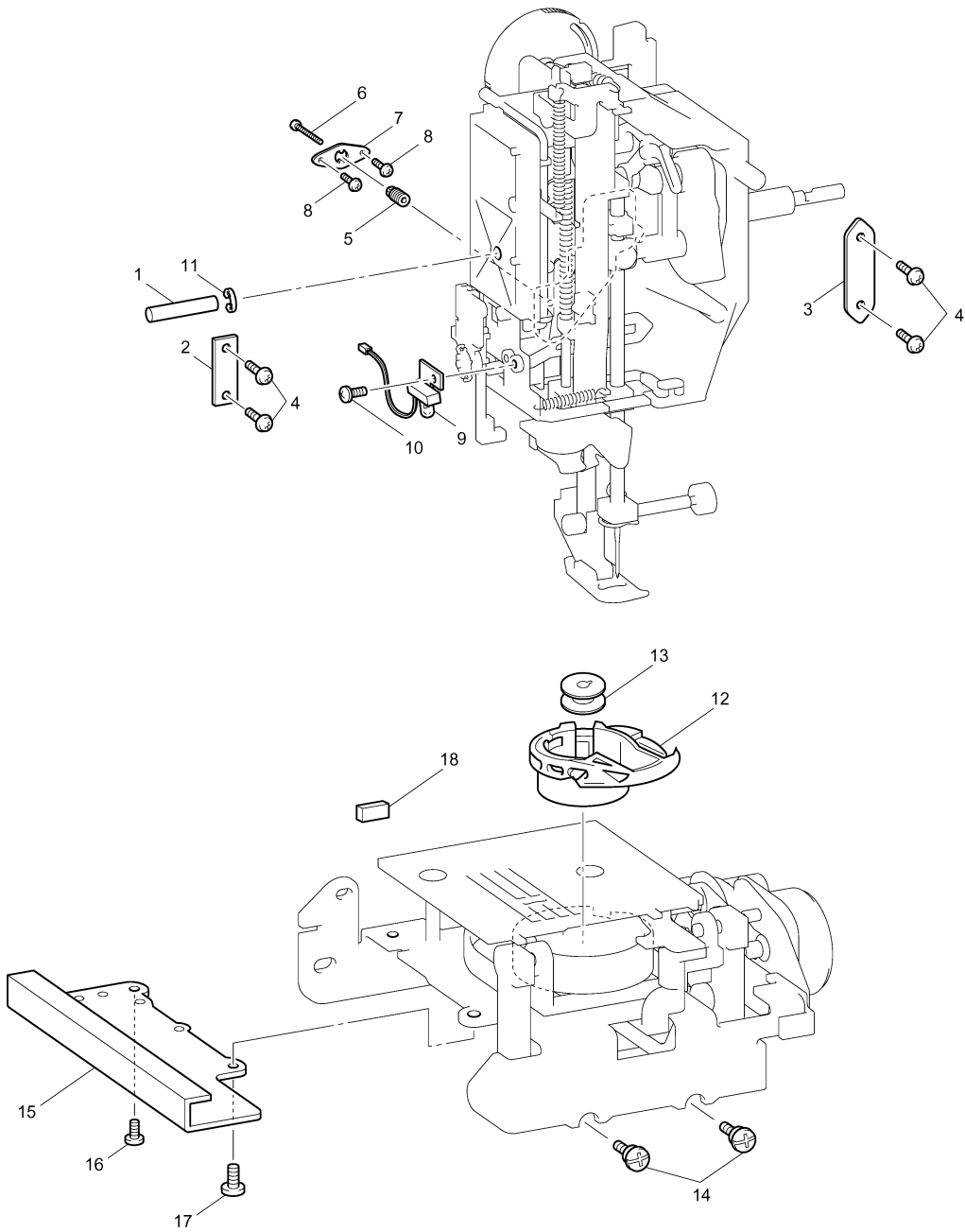
We keep performance parts for this sewing machine for at least 8 years after this model is discontinued. Performance parts are the necessary parts to maintain the function of the sewing machine.

(1) PRINCIPAL PARTS

No.	CODE	NAME	REMARKS	No.	CODE	NAME	REMARKS
1	XC4617152	REAR COVER	CHG	45	XC6818151	BASE PLATE	
2	060400816	SCREW BIND M4 X 8		46	XA1805021	BASE RUBBER A	
3	XC2306152	FACE PLATE	1000011565	47	XE1973001	ADJUSTING SCREW ASSY	1000000187
4	X80321021	NT LOWER THREAD CUTTER	060160	48	XC2354151	BASE PLATE COVER	
5	138384021	RETAINING RING, CS5		49	060300516	SCREW BIND M3 X 5	
6	XC2747051	NEEDLE THREAD LEVER KNOB		50	X57908021	TAPTITE, BIND S M4 X 10	060123
7	XA5825051	NEEDLE THREAD LEVER SHAFT		51	XC2358251	ACCESSORY TABLE	CHG
8	XC3039151	NEEDLE THREAD LEVER	1000005948	52	XC2359052	ACCESSORY TABLE DOOR	
9	138260051	THREAD THROUGH LEVER SPRING		53	XC2360252	CASE ASSEMBLY	CHG
10	XA6320050	SHAFT PRESSER PLATE		54	125440050	CASE FELT	
11	XE5212001	WASHER, PLAIN	1000011565	55	XC2702250	HEAD SUPPORT SF-L	CHG
12	138433021	TAPTITE, PAN B M3 X 6		56	XC2703050	HEAD SUPPORT SF-R	
13	XC0508020	RUBBER WASHER		57	XZ0161051	BLIND PLATE	
14	X59629021	TAPTITE, BIND B M3 X 10		58	XE1146101	NEEDLE PLATE B ASSY (OTHER)	1000007183
15	XC7568051	SCREW PAN (S/P WASHER) M4 X 14	1000000866		XE1146102	NEEDLE PLATE B ASSY (NX200 INNOV-IS, PC210, PC210PRW)	1000007183
16	XC3156253	FRONT COVER	CHG	59	XC2365151	NEEDLE PLATE B (OTHER)	1000006517
17	XC2312053	SS-BUTTON			XC2365152	NEEDLE PLATE B (NX200 INNOV-IS, PC210, PC210PRW)	1000006517
18	XC2313051	REVERSE BUTTON		60	XC7371021	SLIDE BUTTON (OTHER)	060093
19	XC2315051	SV KEYTOP			XC7371022	SLIDE BUTTON (NX200 INNOV-IS, PC210, PC210PRW)	060093
20	XC2316150	SV JOINT PLATE	050016	61	XD1666051	CUTTER COVER (OTHER)	050250
21	XC3089151	PCB ASSY: SS-VR F1	CHG		XD1666052	CUTTER COVER (NX200 INNOV-IS, PC210, PC210PRW)	ADD
22	XC2323151	VR KEYTOP		62	XD1461051	NEEDLE PLATE COVER SPRING	050272
23	XC2324051	VR KEYTOP COVER		63	X80321021	NT LOWER THREAD CUTTER	060160
24	XC4818051	RUBBER KEY F0		64	XD1645021	NEEDLE PLATE COVER SUPPLY ASSY	1000001728
25	XC4792151	PCB ASSY: OPERATION F0	CHG	65	XC2304063	TOP COVER (NX200 PACESETTER)	
26	XC4816051	OPERATION PCB HOLDER			XC2304064	TOP COVER (NX200)	
27	XA1786053	SPOOL PIN			XC2304073	TOP COVER (NX200LE)	ADD
28	XC2337051	SPOOL PIN HOLDER ASSY			XC2304074	TOP COVER (NX200QE)	ADD
29	XD0343051	PCB UNIT: LED LAMP-FR	060036		XC2304052	TOP COVER (NX200 INNOV-IS)	ADD
30	XC7081051	LAMP HOLDER SUPPORTER	CHG		XC2304077	TOP COVER (PC210, PC210PRW)	ADD
31	X57372051	TAPTITE PAN P M2.6X8	050010	66	XC5167051	INDICATION PLATE ASSY F0 (OTHER)	
32	XC2346051	THREAD BOBBIN COVER			XC5167053	INDICATION PLATE ASSY F0 (NX200LE, NX200QE)	ADD
33	136681021	TAPTITE, BIND B M3 X 8	060123		XC5167054	INDICATION PLATE ASSY F0 (NX200 INNOV-IS)	ADD
34	087311015	TAPTITE CUP B M3 X 10			XC5167055	INDICATION PLATE ASSY F0 (PC210, PC210PRW)	ADD
35	XC2620051	BOBBIN WINDER GUIDE ASSY		67	XC4433051	SCREW, PAN (T WASHER) M3 X 6	
36	XA8390021	SCREW	060123				
37	XZ0143050	SSVR INSULATION SHEET					
38	085411416	TAPTITE BIND B M4 X 14	CHG				
39	XA3337022	TAPTITE, CUP P M4 X 20	060123				
40	XC2348051	HANDLE					
41	XC2349051	HANDLE HOLDER					
42	XC2350051	HANDLE SHAFT					
43	048040346	RETAINING RING E4	1000001452				
44	137713020	POLYESTER SLIDER	1000014067				

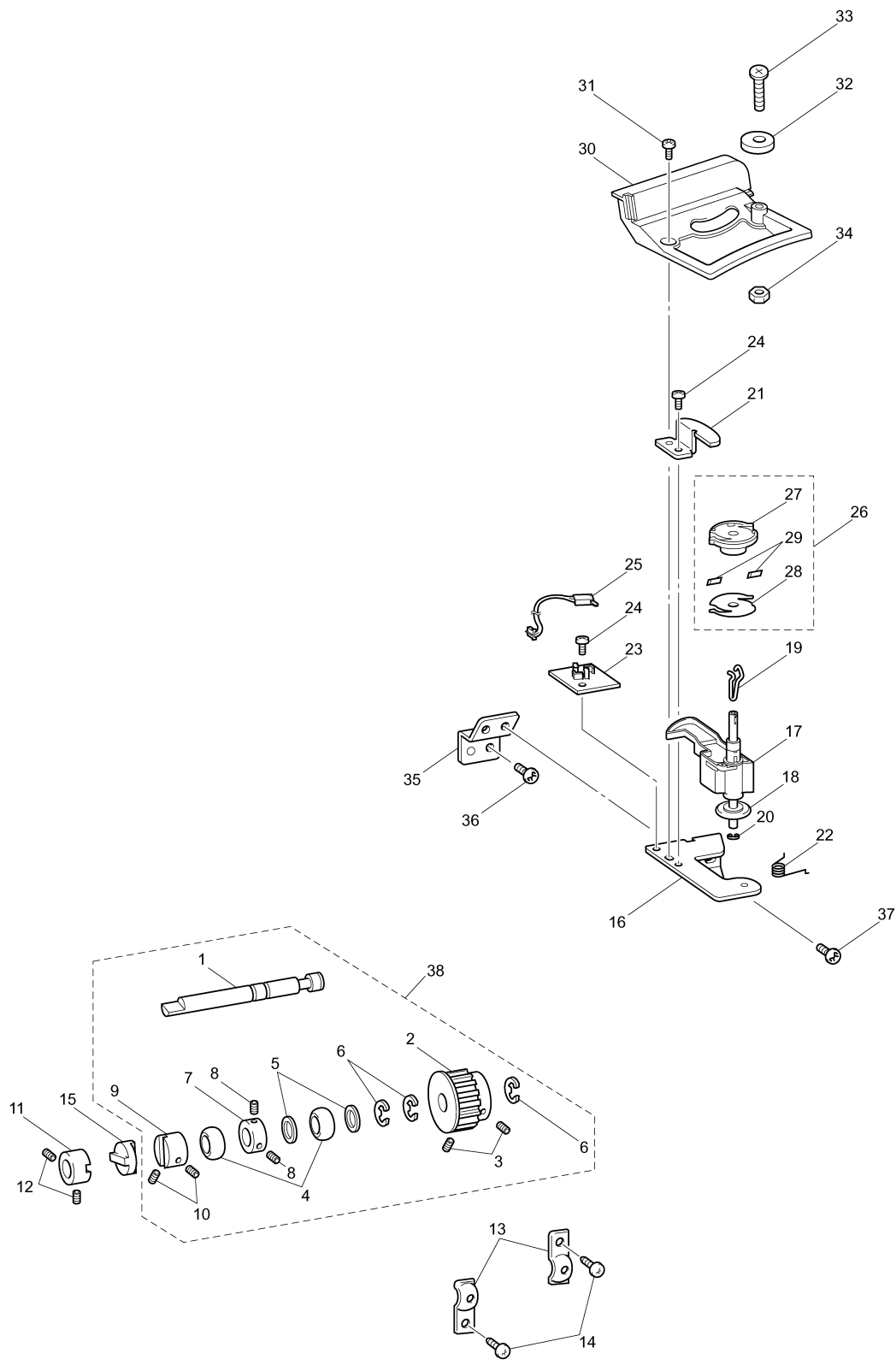






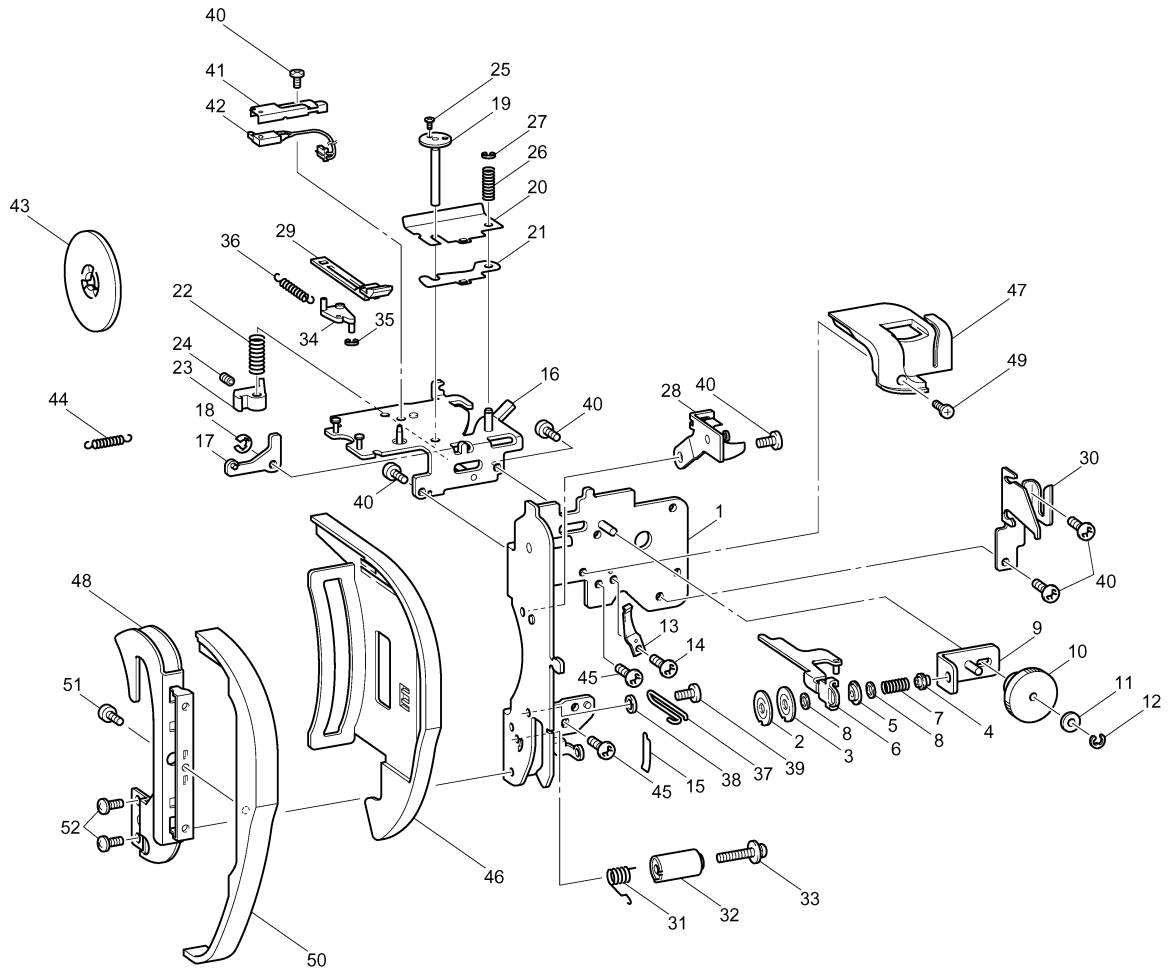
(4) ROTARY HOOK DRIVE / BOBBIN WINDER MECHANISM

No.	CODE	NAME	REMARKS
ROTARY HOOK DRIVE MECHANISM			
1	XC2600050	LOWER SHAFT A	
2	XC4943021	TIMING PULLEY D	1000000444
3	014500532	SET SCREW SOCKET (CP) M5 X 5	1000000444
4	X52664020	LOWER SHAFT BUSHING	
5	X51383020	WASHER, THRUST	
6	048060346	RETAINING RING E6	1000001452
7	137768121	SET SCREW COLLAR	
8	014400432	SET SCREW SOCKET (CP) M4 X 4	
9	XC2602021	JOINT	060101
10	012500532	SET SCREW SOCKET (FT) M5 X 5	060206
11	XC2602021	JOINT	060101
12	012500532	SET SCREW SOCKET (FT) M5 X 5	060206
13	132421021	BUSHING PRESSER	060101
14	X57908021	TAPTITE, BIND S M4 X 10	060101
15	XC2603050	DISK	
BOBBIN WINDER MECHANISM			
16	XC2605051	BOBBIN WINDER ASSEMBLY HOLDER	
17	XC2606251	BW SHAFT HOLDER ASSEMBLY	050289
18	X55238021	RUBBER RING	
19	XZ5039001	BOBBIN WINDER SHAFT SPRING	1000007062
20	048050343	RETAINING RING E5	050058
21	XA2862021	BOBBIN WINDER SHAFT STOPPER	
22	XZ0070021	BOBBIN WINDER SPRING	
23	XC2614021	SW ADJUST PLATE	
24	060300616	SCREW BIND M3 X 6	
25	XC2612051	SW ASSY: BW-F	
26	XC4672051	BOBBIN BASE ASSY	
27	XC2616051	BOBBIN BASE	
28	XA5877021	BOBBIN THREAD CUTTER HOLDER	
29	X80321021	NT LOWER THREAD CUTTER	060160
30	XC2618051	BOBBIN WINDER COVER	
31	XA8390021	SCREW	
32	XC4517051	BOBBIN PRESSER	
33	0A4302506	SCREW PAN (S/P WASHER) M3 X 25	CHG
34	021300205	NUT 2 M3	050171
35	XC2615051	BW HOLDER SUPPORTER	
36	X57908021	TAPTITE, BIND S M4 X 10	060115
37	060400816	SCREW BIND M4 X 8	
38	XC2599021	LOWER SHAFT A ASSY	1000001116



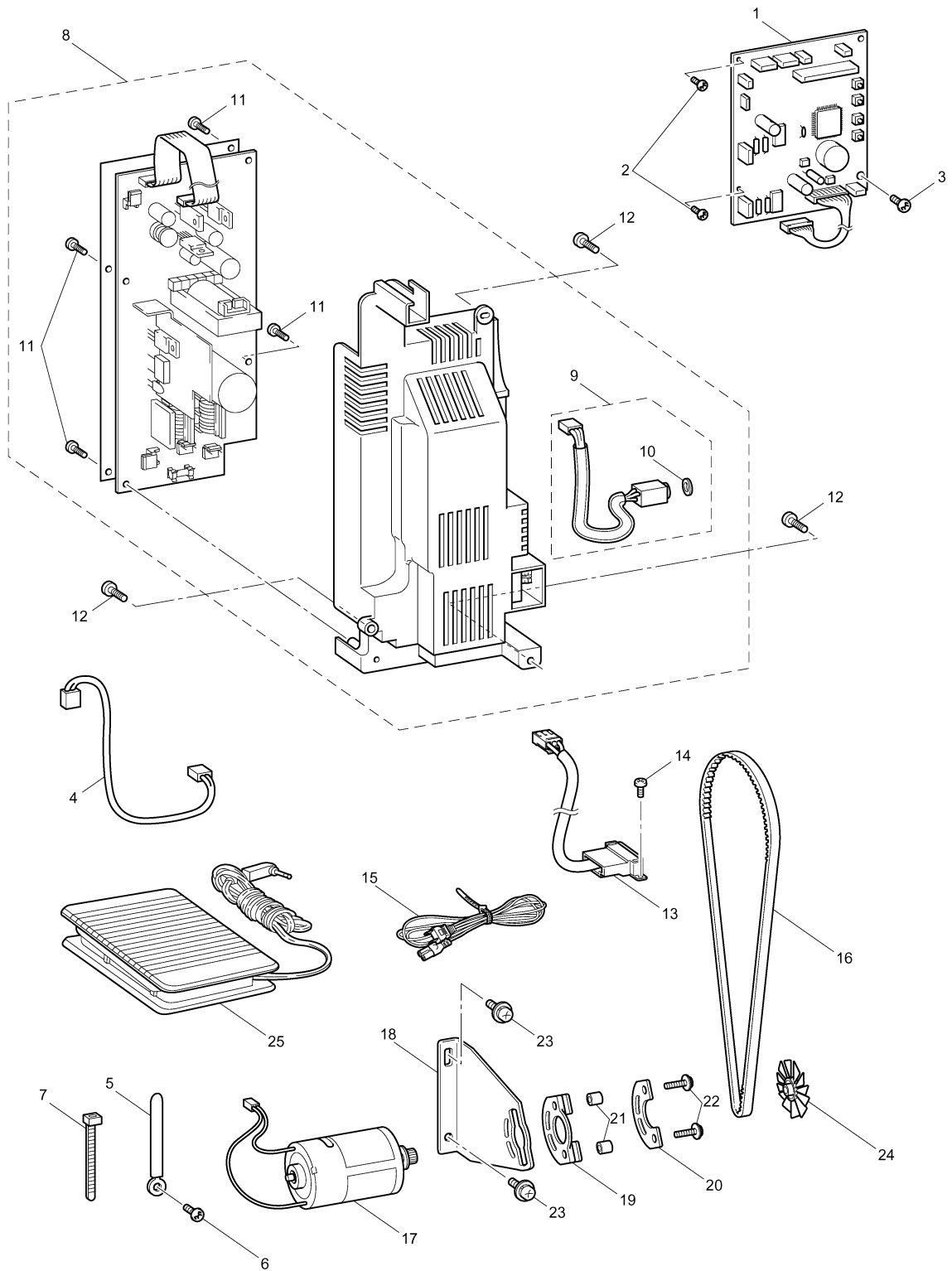
(5) THREAD GUIDE MECHANISM

No.	CODE	NAME	REMARKS	No.	CODE	NAME	REMARKS
1	XC2624351	THREAD GUARD ASSEMBLY	050065	45	085411015	TAPTITE BIND B M4 X 10	
2	XA0083121	TENSION DISC A	1000006407	46	XC2652152	THREAD GUIDE COVER	
3	XC2626121	TENSION DISC B	1000006407	47	XC2655053	FRONT THREAD GUARD COVER	
4	XC3437051	TENSION ADJUSTING SCREW		48	XC4203251	THREAD GUIDE ASSY	CHG
5	XA1388021	TENSION DISC WASHER	060149	49	060300416	SCREW, BIND M3 X 4	
6	XC2627051	TENSION RELEASE PLATE ASSY		50	XC2659052	THREAD GUIDE COVER	
7	XA9900051	THREAD TENSIONS PRING		51	138433021	TAPTITE, PAN B M3 X 6	060149
8	XD0573021	WASHER	060149	52	XC7564021	SCREW, PAN (S/P WASHER) M3 X 6	1000008646
9	XC2629051	TENSION PLATE ASSY F2					
10	XC2630054	THREAD TENSION DIAL					
11	137999020	POLYESTER SLIDER	060149				
12	048030346	RETAINING RING E3	1000001452				
13	XC2633051	SPRING PLATE					
14	060300416	SCREW BIND M3 X 4					
15	XA9935050	SPRING TAPE					
16	XC2635151	TENSION RELEASE HOLDER ASSY	040224				
17	XA9571051	TENSION RELEASERLINK					
18	048030346	RETAINING RING E3	1000001452				
19	XC2638151	TENSION PRESSURE ASSY	050279				
20	XA9575051	TENSION PLATE					
21	XA9576051	SPACER					
22	XA9577051	SPRING					
23	XC2640051	TENSION RELEASE CAM					
24	012300432	SET SCREW SOCKET (FT) M3 X 4					
25	X57363051	POWER LOCK 2 X 3					
26	X57605051	SPRING					
27	048020346	RETAINING RING E2	1000001452				
28	XC2644051	PLATE ASSEMBLY					
29	XC2647051	THREAD GUIDE SHUTTER					
30	XC2749051	THREAD GUIDE					
31	XC6957121	THREAD TAKE UP SPRING	1000005353				
32	XC2648121	THREAD CATCHING SPRING CASE	1000003151				
33	0A4301806	SCREW, PAN (S/P WASHER) M3 X 18					
34	XC2649050	THREAD GUIDE SHUTTER LINK					
35	048030346	RETAINING RING E3	1000001452				
36	XC2650051	SPRING					
37	XC2651050	THREAD GUIDE WIRE					
38	XA9996051	WASHER, PLAIN					
39	XC7564021	SCREW, PAN (S/P WASHER) M3 X 6	060149				
40	060300416	SCREW BIND M3 X 4					
41	XC2641051	PRESSER SWITCH HOLDER					
42	XC2642051	SW ASSY: PF-F					
43	XE1372001	SPOOL PRESSER C	060144				
44	XA9787051	SPRING					



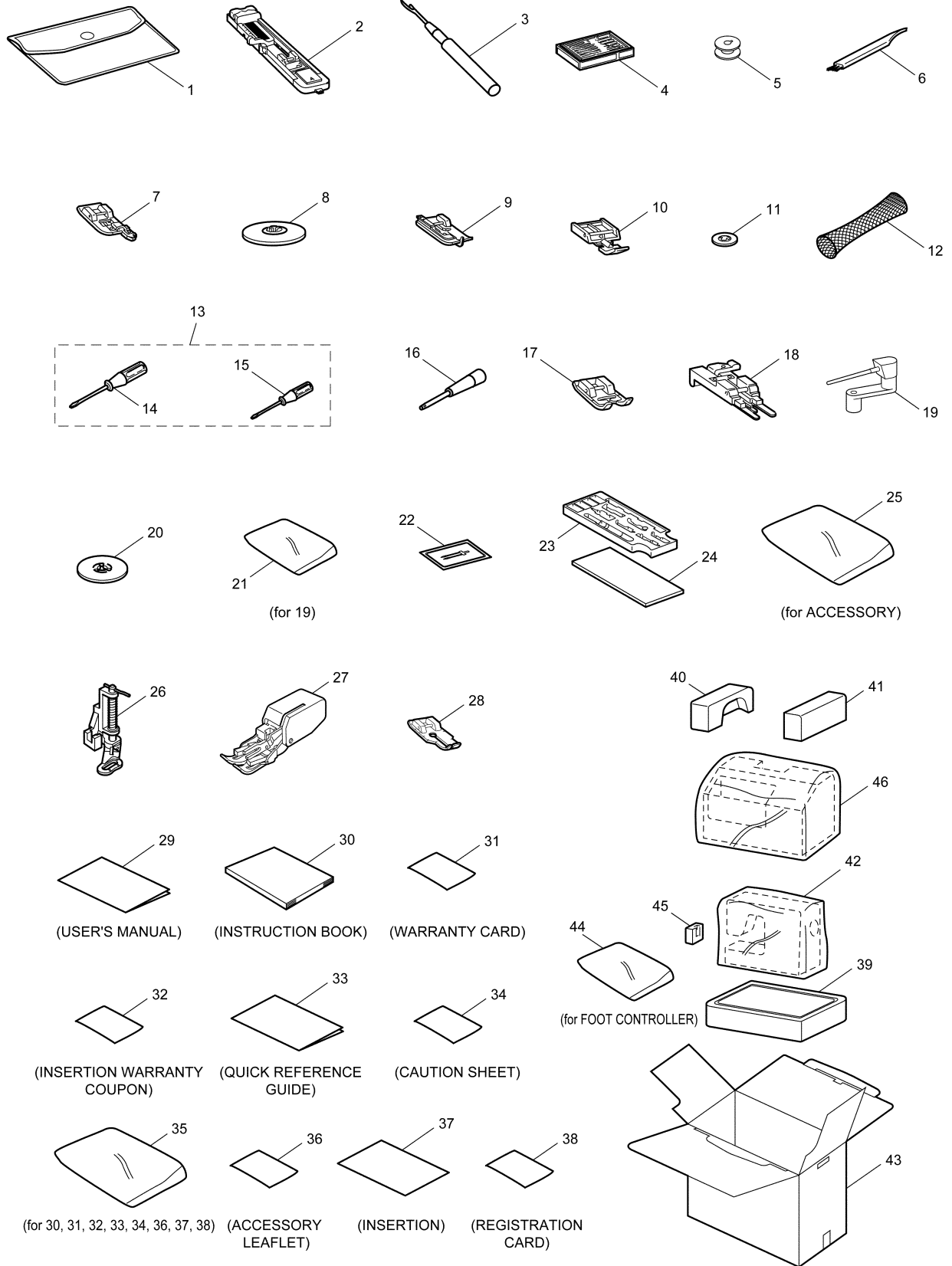
(6) ELECTRONIC PARTS / MOTOR UNIT

No.	CODE	NAME	REMARKS
ELECTRONIC PARTS			
1	XC4791251	PCB ASSY: MAIN F0-B	CHG
2	136681021	TAPTITE, BIND B M3 X 8	060119
3	060400816	SCREW BIND M4 X 8	
4	XC2672051	LEAD ASSY: BH CABLE-F	
5	XA0286021	WIRE CLIP	060119
6	X57908021	TAPTITE, BIND S M4 X 10	060119
7	X53169020	BAND	060119
8	XD0471251	POWER SUPPLY UNIT F120 (U.S.A., CAN, TWN)	1000000807
	XD1235151	POWER SUPPLY UNIT F230	1000000807
	XC2675352	POWER SUPPLY UNIT, F (KOR)	1000003066
9	XC4488051	FC JACK-F SUPPLY ASSY	CHG
10	XD1973021	NUT F	060160
11	136681051	TAPTITE, BIND B M3 X 8	
12	XC7568051	SCREW PAN (S/P WASHER) M4 X 14	1000000866
13	XC4412051	INLET ASSY: F1D-US	
	XC4417051	INLET ASSY: F1D-EU	
14	060400616	SCREW, BIND M4 X 6	
15	XC6052021	POWER SUPPLY CORD: UL CSA-LF (U.S.A., CANADA)	060116
	XA0070121	POWER SUPPLY CORD (EUROPE)	060116
	X59354121	POWER SUPPLY CORD-BS (U.K., HKG, IRE)	060116
	XC9548021	POWER SUPPLY CORD: SAA-LF (AUS)	060116
	XE2016001	POWER SUPPLY CORD KOR (KOR)	ADD
	XD0225021	POWER SUPPLY CORD: TWN (TWN)	1000008621
MOTOR UNIT			
16	XC2685051	T BELT494-2GT-6	
17	XC2687051	ASSY: MAIN MOTOR-F	
18	XC2690051	MOTOR HOLDER	
19	XA9649050	FENDER RUBBER	
20	XA9650051	MOTOR SPACER PRESSER	
21	XC3027051	SPACER 4 X 6	
22	XC7568051	SCREW PAN (S/P WASHER) M4 X 14	040227
23	XA8474021	UPSET 4 X 12 DB	060117
24	XA9652150	MOTOR FAN	
25	XC6651221	FOOT CONTROLLER: FC-313-81-LF	1000014451
	XD0496121	FOOT CONTROLLER: FC-313-LF-EU	1000014451



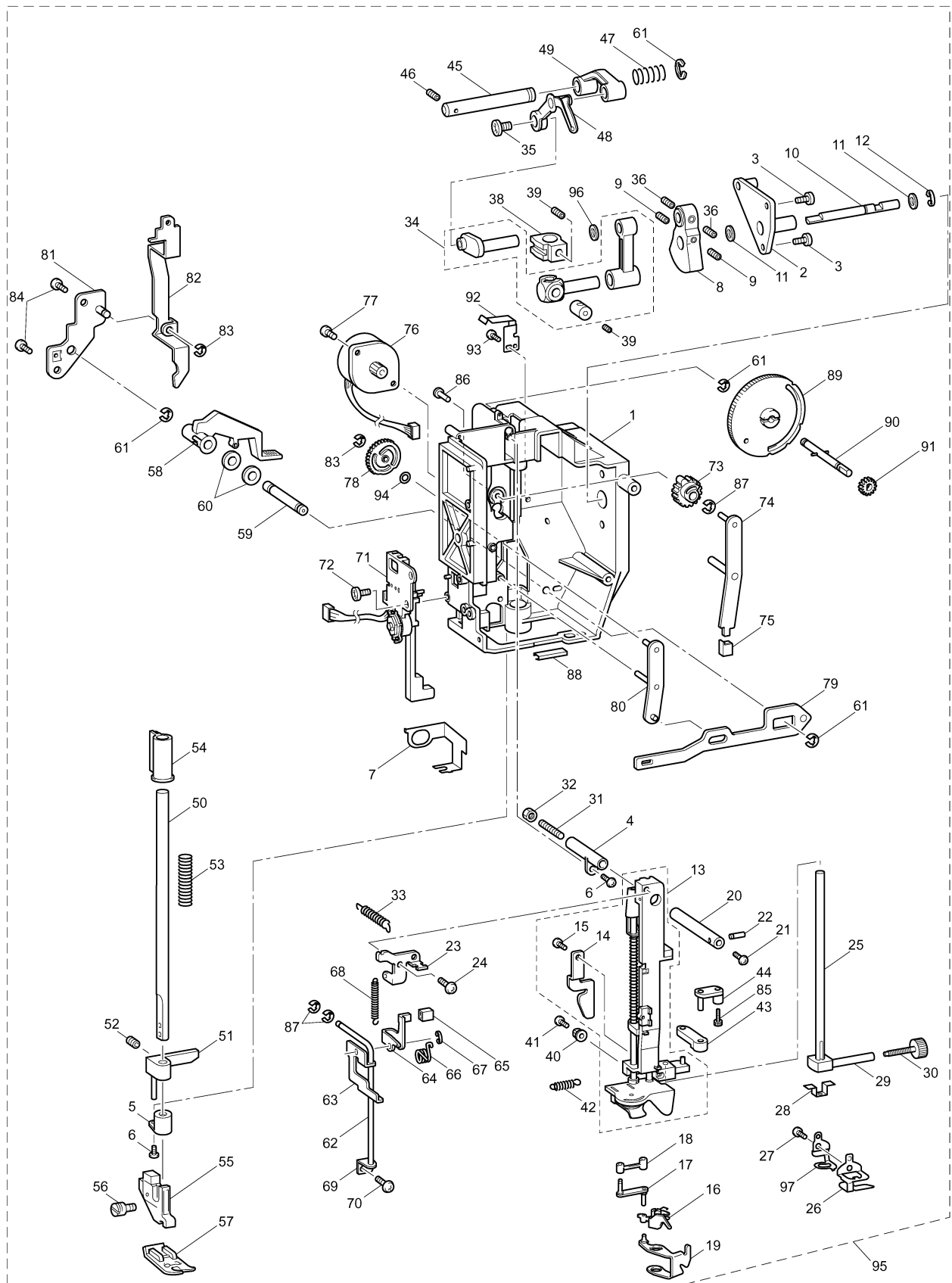
(7) ATTACHMENTS / PRINTED MATTER / PACKING MATERIALS

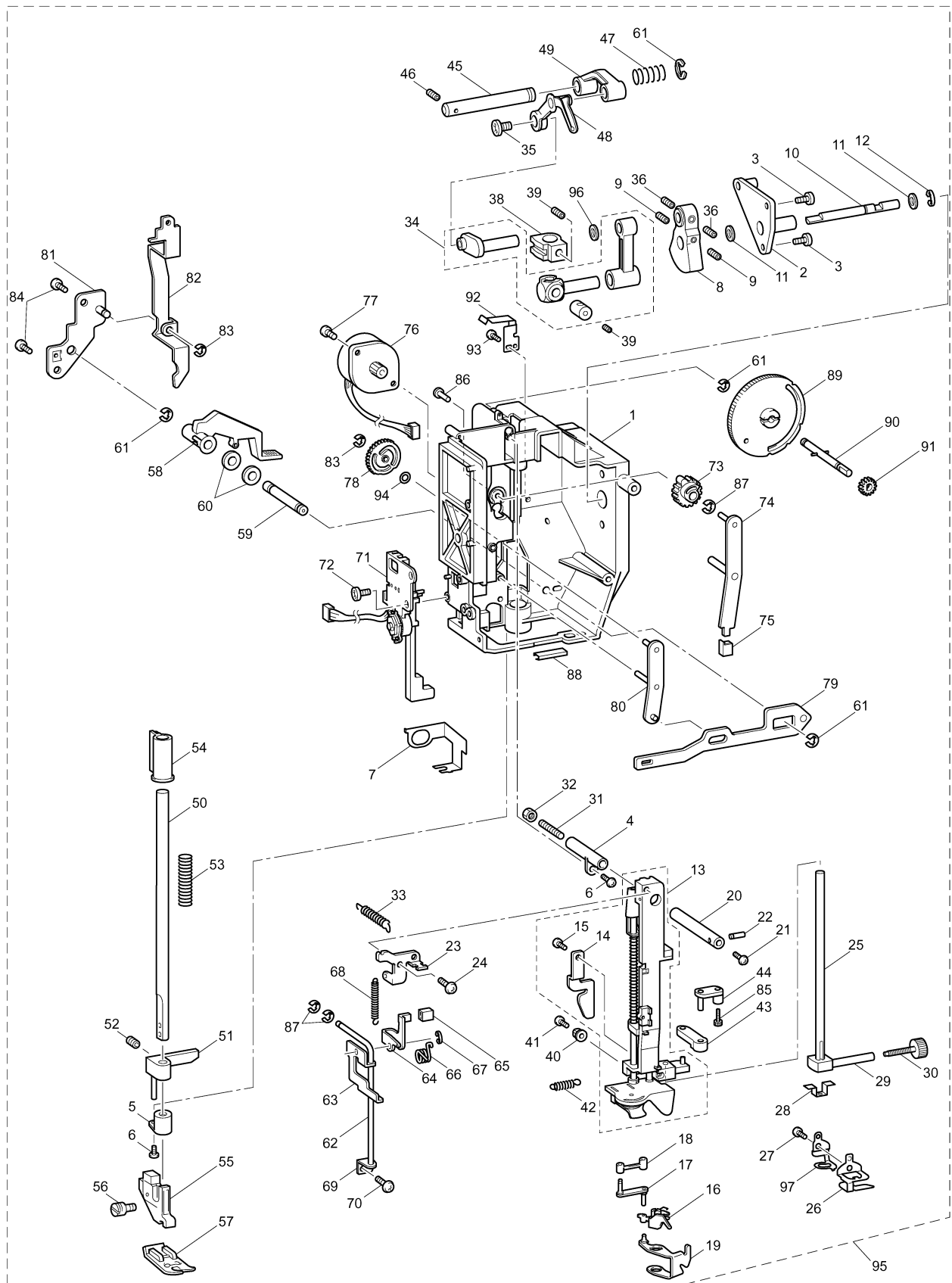
No.	CODE	NAME	REMARKS	No.	CODE	NAME	REMARKS
ATTACHMENTS							
1	XC4487021	ACCESSORY BAG	060100		XC6402021	WARRANTY CARD UK (U.K.)	060051
2	XC2691023	BH PRESSER FOOT ASSY	060100		LW3135001	CEE WARRANTY CARD (AUT)	1000011500
3	X54243051	SEAM RIPPER			XE3332001	MASS WARRANTY CARD (NX200: HKG)	1000003830
4	X58358021	Z NEEDLE ASSY	060100		XE2010001	WARRANTY CARD BROTHER CANADA (CAN)	1000001038
5	X52800120	BOBBIN	060100		XE5572001	WARRANTY CARD BROTHER RUS (RUS)	1000010023
6	X59476021	CLEANING BRUSH	060100	32	181401137	INSERTION WARRANTY COUPON (U.K.)	
7	XC3098031	OVERCASTING STITCH FOOT ASSY	060104	33	XC4546151	QUICK REFERENCE GUIDE	
8	130012024	SPOOL PRESSER A			XE3646001	QUICK REFERENCE GUIDE NX200 (NX200: HKG)	1000005705
9	XE2650001	BLIND STITCH FOOT ASSY	1000009241	34	XC4545051	CAUTION SHEET	
10	X59370021	ZIPPER FOOT	060100	35	XA0188020	BAG 260 X 375HC	1000014034
11	130013124	SPOOL PRESSER B		36	XE6298001	ACCESSORY LEAFLET 4	1000013826
12	XA5523020	NET	060100	37	XD0256121	INSERTION WEEE (EXCEPT: RUS, KOR, TWN, HKG, SGP, AUS)	1000002031
13	XE0243001	SCREW DRIVER ASSY			XE6623001	INSERTION (PC210: CAN)	1000014468
14	XC8349021	SCREW DRIVER	1000013436	38	XE5611001	REGISTRATION CARD ITA (ITA)	1000010089
15	X55468021	SCREW DRIVER S	1000013436	PACKING MATERIALS			
16	XZ5051001	PUNCH	CHG	39	XC2704250	BODY SUPPORT SF	050305
17	XD0810031	TRANSPARENCY PRESSER FOOT	060182	40	XC2705150	CASE SUPPORT	050310
18	XE2643001	BUTTONING FOOT ASSY	1000006460	41	XC2706150	CASE SUPPORT SF-R	050312
19	XC4654051	EXTRA SPOOL PIN ASSY		42	X60439121	BAG 630 X 630T	1000013217
20	XE1372001	SPOOL PRESSER C	060144	43	XE0655001	CARTON (OTHER)	060090
21	X57367021	BAG 135 X 150	060100		XE0659001	CARTON (U.S.A., CANADA)	060077
22	X59296121	TWIN NEEDLE (1PC)	060100		XE0663001	CARTON ASSY (NX200QE)	060077
23	XC4489051	ACCESSORY TRAY			XE1136101	CARTON (RUSSIA)	1000005999
24	XC4490050	SPONGE			XE1227001	CARTON (PC210)	ADD
25	XA0188020	BAG 260 X 375HC	1000012991		XE5026001	COLOR CARTON (PC210PRW)	1000008469
26	XA4322001	QUILTING FOOT (NX200QE)	ADD	44	XC4515020	BAG, BUBBLE PACK 250 X 250	060097
27	XE1679201	WALKING FOOT ASSEMBLY (NX200QE)	1000000446	45	XC4762250	THREADER SUPPORT SF	050294
28	XA3805021	1/4' QUILTING FOOT (NX200QE)	060104	46	XE3838001	BAG 750 X 600H	1000005912
29	XC2067121	USER'S MANUAL (1/4' QUILTING FOOT: NX200QE)	060051				
PRINTED MATTER							
30	XE1140001	INSTRUCTION BOOK ENG (English)	060099				
	XC4666021	INSTRUCTION BOOK (French)	060051				
	XC4667021	INSTRUCTION BOOK (German)	060051				
	XC4668021	INSTRUCTION BOOK (Dutch)	060051				
	XC4669021	INSTRUCTION BOOK (Spanish)	060051				
	XC4670021	INSTRUCTION BOOK (Italian)	060051				
	XC7374021	INSTRUCTION BOOK (Danish)	ADD				
	XC7201121	INSTRUCTION BOOK (Russian)	060051				
	XD0083021	INSTRUCTION BOOK (Austria)	060051				
31	XC8946021	WARRANTY CARD C (U.S.A.)	060051				
	LA1661001	WARRANTY CARD EURO CH (EUROPE)	1000010793				
	XE5609101	WARRANTY CARD 5YEARS ITA (ITA)	1000013378				



NEEDLE-PRESSER MODULE

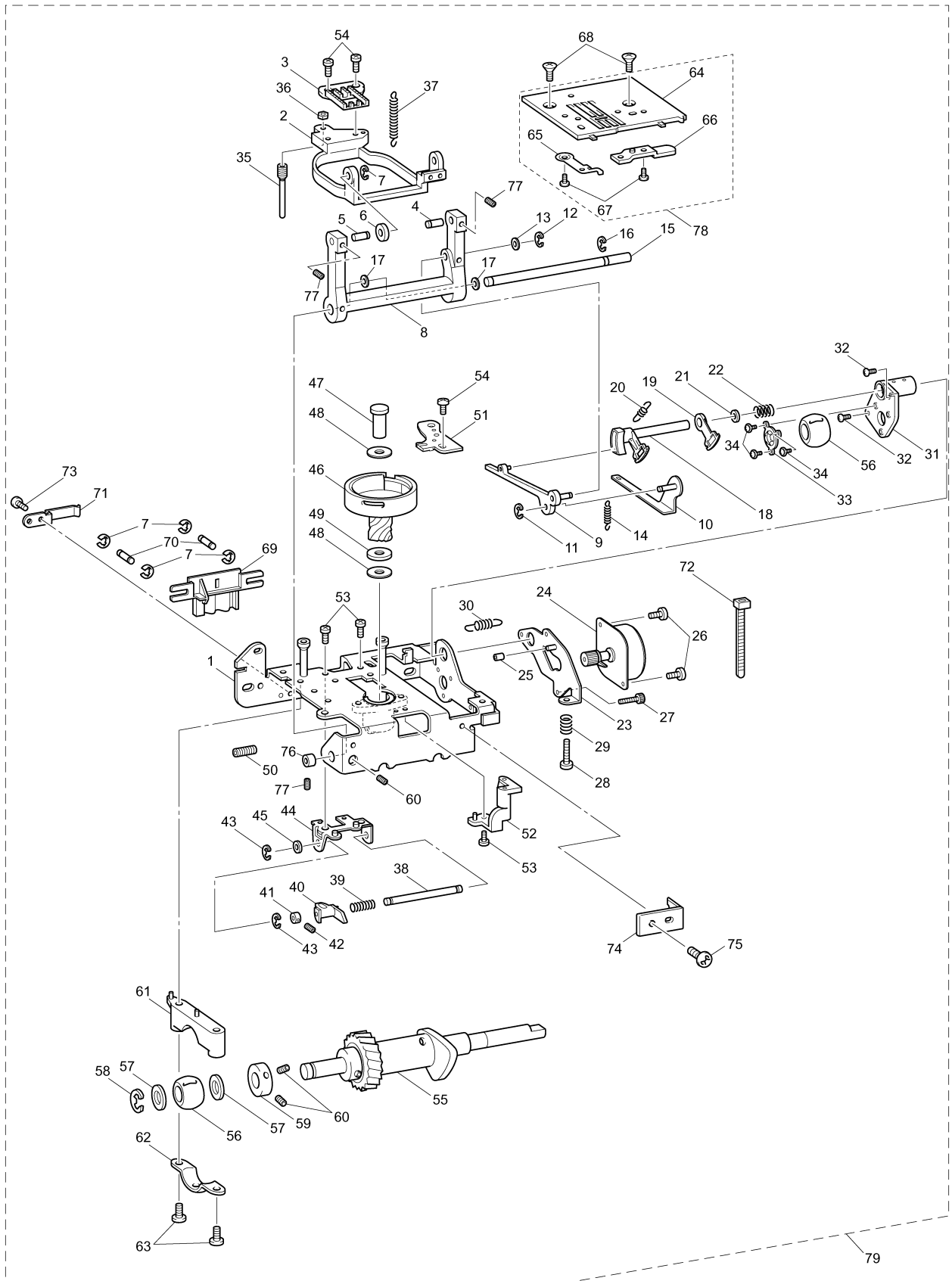
No.	CODE	NAME	REMARKS	No.	CODE	NAME	REMARKS
1	XE0017101	UPPER UNIT HOLDER	1000008073	45	XC2440021	SHAFT	040142
2	XC2395221	SHAFT BUSHING ASSEMBLY	1000014050	46	014300532	SET SCREW SOCKET (CP) M3 X 5	
3	0A5401405	SCREW, PAN (S/P WASHER) M4 X 14	040227	47	XC2441021	SPRING	
4	XC2398020	SHAFT BUSHING A		48	XC2442153	THREAD TAKE-UP LEVER	1000006969
5	XC2399021	PRESSER BAR BUSHING		49	XC2443020	THREAD TAKE-UP LEVER LINK	
6	085310815	TAPTITE BIND B M3 X 8	CHG	50	XC2444021	PRESSER BAR	
7	XC5362020	PLATE SPRING	CHG	51	XC2445021	PRESSER BAR CLAMP ASSY	CHG
8	XC2400021	THREAD TAKE-UP COUNTER WEIGHT		52	014501032	SET SCREW SOCKET (CP) M5 X 10	060206
9	012500532	SET SCREW SOCKET (FT) M5 X 5		53	XC4457051	SPRING	
10	XC2401021	UNIT SHAFT		54	XC4458050	PRESSER SPRING SUPPORTER	
11	132434020	WASHER		55	XC3015031	PRESSER FEED HOLDER ASSY	060160
12	048060346	RETAINING RING E6	1000001452	56	132730122	TIGHTENING SCREW 3.57	1000003761
13	XC2402251	NEEDLE BAR SUPPORTER ASSY		57	XC3021031	Z FOOT	060160
14	XC2418020	HOOK RELEASE PLATE		58	XC2451021	PRESSER FOOT LIFTER	
15	060260516	SCREW BIND M2.6 X 5		59	XC2452021	PRESSER LIFT SHAFT	040142
16	XD1550151	THREADER HOOK ASSY	1000006034	60	XA1860120	WASHER	
17	XD1546051	LINK A ASSY		61	048040346	RETAINING RING E4	1000001452
18	XD1548151	LINK B	1000009134	62	XC2453021	LEVER GUIDE SHAFT	040142
19	XC2415021	THREAD GUIDE ASSY		63	XC2455021	LEVER A ASSY	
20	XC2419021	SHAFT		64	XC2458021	LEVER B	
21	000020416	SCREW BIND M2 X 4		65	XC2459020	CAP	
22	XC2420020	SHAFT	040142	66	XC2460021	TORSION SPRING	
23	XC2421121	PLATE	CHG	67	048030343	RETAINING RING E3	1000001452
24	060300516	SCREW BIND M3 X 5		68	XC2461021	SPRING	
25	XC2423021	NEEDLE BAR	060152	69	XC2462021	LEVER PRESSER PLATE	
26	XE0011101	NEEDLE BAR THREAD GUIDE Q	1000015431	70	138433021	TAPTITE PAN B M3 X 6	CHG
27	X53053052	SCREW SM2.38		71	XC2463121	BH SWITCH ASSY	
28	XC2426020	NEEDLE THREAD PLATE		72	XZ0149021	TAPTITE, PAN B 4 X 12	
29	XC2427051	NEEDLE BLOCK		73	XC2474020	Z ZIGZAG CAM	
30	XC2428121	NEEDLE CLAMP SCREW	1000010409	74	XC2476021	Z ZIGZAG LEVER ASSY	
31	014401232	SET SCREW SOCKET (CP) M4 X 12		75	XC2480020	Z LEVER CUP	
32	X56851021	LOCK NUT		76	XC2481021	MOTOR, PULSE: Z SMJ35-4840-A	CHG
33	XC2429021	SPRING		77	X59629021	TAPTITE, BIND B M3 X 10	CHG
34	XE2589001	NEEDLE BAR CRANK ROD ASSY	1000001910	78	XC2483020	T CAM	
35	132051022	SCREW, FLAT SM3.57-40 X 7 L		79	XC2491121	THREAD RELEASER ASSY	1000013556
36	012500532	SET SCREW SOCKET (FT) M5 X 5		80	XC2494021	THREAD RELEASE LEVER ASSY	
37	014400432	SET SCREW, SOCKET (CP) M4 X 4	DEL	81	XC2498021	ADJUSTING PLATE ASSY	
38	XC2434021	NEEDLE THREAD BLOCK		82	XC2501121	TENSION RELEASER C	
39	012400432	SET SCREW SOCKET (FT) M4 X 4		83	048030346	RETAINING RING E3	1000001452
40	XC2435020	ZIGZAG ADJUSTING NUT		84	XC3588021	GIZA TITE 4 X 12	050191
41	018301032	BOLT SOCKET M3 X 10	060206	85	XC3037021	SCREW 3 X 10	040219
42	XC2748021	SPRING-Z		86	XC2475021	SHAFT	040142
43	XC2436021	NEEDLE HOLDER BLOCK		87	048020346	RETAINING RING E2	1000001452
44	XC2437021	SHAFT ASSY		88	XC3034020	THREAD GUIDE PLATE	



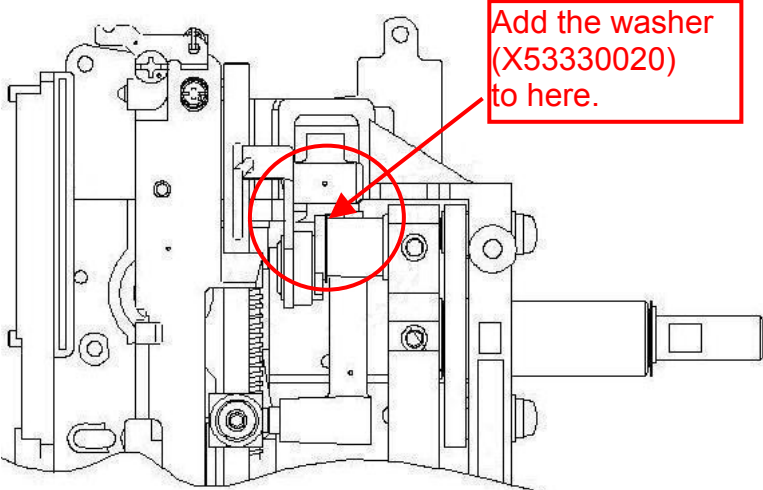


FEED MODULE

No.	CODE	NAME	REMARKS	No.	CODE	NAME	REMARKS
1	XC7638121	BASE PLATE	060148	45	137713020	POLYESTER SLIDER	060148
2	XC2510021	FEED BAR		46	XC2210021	OUTER ROTALY HOOK ASSY	060148
3	XC2511051	FEED DOG	CHG	47	XD1943021	OUTER ROTARY HOOK SHAFT	060148
4	XC2512021	FEED BAR SHAFT A	060148	48	137805022	SPACER	060148
5	XC2513021	FEED BAR SHAFT B	060148	49	137976021	WASHER 6	060148
6	XC2514021	FEED BAR SPACER		50	014400632	SET SCREW SOCKET (CP) M4 X 6	
7	048020346	RETAINING RING E2	1000001452	51	XC2555021	INNER ROTARY HOOK BRACKET ASSY	
8	XC8337021	FEED ARM A	050017	52	XC2559221	STOPPER PLATE BLOCK ASSY	050249
9	XC2517021	FEED ARM B ASSY		53	060400516	SCREW BIND M4 X 5	
10	XC2521021	FEED SUPPORTING PLATE ASSY		54	060300816	SCREW BIND M3 X 8	
11	048020346	RETAINING RING E2	1000001452	55	XC2562121	LOWER SHAFT B ASSY	CHG
12	048030346	RETAINING RING E3	1000001452	56	X52664020	LOWER SHAFT BUSHING	060148
13	137999020	POLYESTER SLIDER		57	X51383020	WASHER, THRUST	0000064640
14	XZ0174021	SPRING		58	048060346	RETAINING RING E6	1000001452
15	XC7835051	HORIZONTAL FEED SHAFT	050017	59	137768121	SET SCREW COLLAR	060148
16	048050346	RETAINING RING E5	1000001452	60	014400432	SET SCREW SOCKET (CP) M4 X 4	
17	X50546020	WASHER, THRUST	060148	61	XC2566021	BUSHING SUPPORTER A	
18	XC2527121	FEED ADJUSTER	1000000154	62	XC2567021	BUSHING PRESSER A	
19	XC2529020	F GEAR		63	060401616	SCREW BIND M4 X 16	
20	XC2530021	SPRING		64	XC2569051	NEEDLE PLATE A	
21	137713020	POLYESTER SLIDER		65	XC2570121	STOPPER PLATE	050293
22	XC2531021	SPRING		66	XC2571021	F GEAR STOPPER PLATE	
23	XC2532021	FPM HOLDER ASSY		67	060260316	SCREW BIND M2.6 X 3	
24	XC2534021	MOTOR, PULSE: F SMJ35-4840-C		68	X50487021	SCREW M4	1000010447
25	XC2587020	RUBBER	CHG	69	XC2572021	DROP KNOB	
26	060300516	SCREW BIND M3 X 5		70	XC2573051	SLIDE SHAFT B	040142
27	XC3338021	SCREW3 X 8	060148	71	XC2574021	SPRING PLATE	
28	018402533	BOLT SOCKET M4 X 25	060206	72	X53169020	BAND	060148
29	XC2537021	SPRING		73	060300516	SCREW BIND M3 X 5	
30	XC2538021	SPRING		74	XC8195051	SHAFT STOPPER PLATE	050017
31	XC2539021	BUSHING SUPPORTER ASSY		75	060300516	SCREW BIND M3 X 5	050017
32	060400616	SCREW BIND M4 X 6		76	130676121	SET SCREW COLLAR	060148
33	XC2542021	BUSHING PRESSER B		77	014400432	SET SCREW SOCKET (CP) M4 X 4	050017
34	060300516	SCREW BIND M3 X 5		78	XC2568021	NEEDLE PLATE A ASSY	1000001116
35	XC3941021	VERTICAL ADJUSTER SCREW ASSY	060148	79	XC4479151	FEED SUPPLY UNIT ASSY (OTHER)	060066
36	XC2546021	M5 NUT	060148		XC4479152	FEED SUPPLY UNIT ASSY (U.S.A & CANADA)	060066
37	XC2547021	SPRING					
38	XC8361021	VERTICAL FEED SHAFT	040085				
39	XC2550021	SPRING					
40	XC2551020	VERTICAL LEVER					
41	XC2552021	SET SCREW COLLAR	040142				
42	014400432	SET SCREW SOCKET (CP) M4 X 4					
43	048030346	RETAINING RING E3	1000001452				
44	XC7801021	VERTICAL SUPPORTING PLATE	040085				



Service Information

	MODEL	Contents for Change	PCI No.
1	NX200, NX200LE, NX200QE, BLDC, M412, NX400, NX400LE, NX400Q, S62, BLQC, M414, NX600	<p>Changed the shape for the measures of the problem that the needle thread is heavy.</p> <p style="text-align: center;">↓</p> <p>Click here for more information.</p>	HsPn050263
2	NV200, NV200Q, NV400, NV400SE, NV600, NX250, NX450, NX450Q, NX600, NX600PACESETTER, NX600INNOV-IS, NX650, NX650Q, NX200, NX200LE, NX200QE, NX200PACESETTER, NX200INNOV-IS, NX400, NX400LE, NX400Q, NX400PACESETTER, NX400INNOV-IS, BLQC, BLCC2, BLQC2, BLDC2, BLCC, BLDC, PC210, PC420, M412, S62, M414	<p>Changed the kind of the screw to widen a margin of the quantity of the adjustment of the base plate.</p> <p>Object Part: XA4687021 ADJUSTING SCREW ASSY (before a change)</p> <p style="text-align: center;">↓</p> <p>Please order the following part from the next time. Object Part: XE1973001 ADJUSTING SCREW ASSY (after a change)</p>	HsPn060254
3	NV200, NV200Q, NV400, NV400SE, NV600, NX250, NX450, NX450Q, NX600, NX600PACESETTER, NX600INNOV-IS, NX650, NX650Q, NX200, NX200LE, NX200QE, NX200PACESETTER, NX200INNOV-IS, NX400, NX400LE, NX400Q, NX400PACESETTER, NX400INNOV-IS, BLQC, BLCC2, BLQC2, BLDC2, BLCC, BLDC, PC210, PC420, M412, S62, M414	<p>Changed the shape to stabilize the operation of thread catching spring.</p> <p style="text-align: center;">↓</p> <p>Please order the following part from the next time. XC2648121 THREAD CATCHING SPRING CASE</p>	HsPn070246
4	NV200, NV200Q, NV400, NV400SE, NV600, NX250, NX450, NX450Q, NX600, NX600PACESETTER, NX600INNOV-IS, NX650, NX650Q, NX200, NX200LE, NX200QE, NX200PACESETTER, NX200INNOV-IS, NX400, NX400LE, NX400Q, NX400PACESETTER, NX400INNOV-IS, BLQC, BLCC2, BLQC2, BLDC2, BLCC, BLDC, PC210, PC420, M412, S62, M414	<p>Add the washer (X53330020) between the needle bar crank and the needle bar crank rod to widen a margin for the seizing.</p> <p style="text-align: center;">↓</p> 	HsPn070290

Detailed Contents for Change

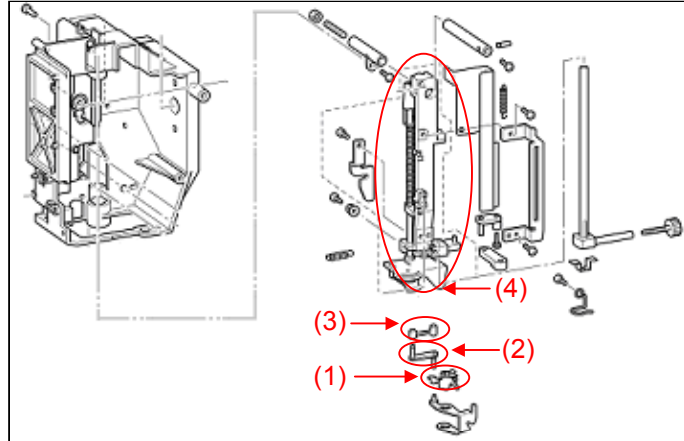
1

Object Model:

Group(1): NX200, NX200LE, NX200QE, BLDC, M412, NX400, NX400LE, NX400Q, S62
 Group(2): BLQC, M414, NX600

Object Part

- (1) Threader hook ASSY
- (2) Link A ASSY
- (3) Link B
- (4) Needle bar supporter ASSY



For a part order

When replace and fix the object part, cross-check the serial number of following list of old part/new part after having confirmed the following serial number. And please order the part.

In addition, when replace the needle bar supporter ASSY, order the threader hook ASSY, the link A ASSY and the Link B at the same time. And please replace and fix the part.



Check this number.

List of Old Part / New Part

Name / Serial Number	Group(1)		Group(2)	
	Old Part	New Part	Old Part	New Part
	~D6B113562	D6B113563~	~E6B111100	E6B111101~
Threader hook ASSY	XC3032-051	XD1550-051	XC3032-051	XD1550-051
Link A ASSY	XA3565-021	XD1546-051	XA3565-021	XD1546-051
Link B	XA3569-021	XD1548-051	XA3569-021	XD1548-051
Needle bar supporter ASSY	Respond by new part	XC2402-251	Respond by new part	XC2402-251

*** When fix, please order the part in reference to the following example.**

(Example 1) When replace and fix the needle bar supporter ASSY of the serial number (D6B113562).

- XC2402-251 Needle bar supporter ASSY (New Part) → Old part is not available.
- XD1550-051 Threader hook ASSY (New Part) } Replace the new part at
- XD1546-051 Link A ASSY (New Part) } the same time.
- XD1548-051 Link B (New Part) }

(Example 2) When replace only the threader hook ASSY without replacing the needle bar supporter ASSY, order only the thread hook ASSY (XC3032-051) (Old part).

brother®

NX200 (885S60)
NX200LE (885S60-50202/50502)
NX200QE (885S60-70102)
NX200 PACESETTER (882S60-20001/25101)
NX200 INNOV-IS (885S60-20003/25103)
PC210 (885S60-20004/25104)
PC210PRW (885S60-20005)

14C03HF885S60
04. 2003.
09. 2009.