



**Home Sewing Machine**

**PARTS REFERENCE LIST**

**MODEL: NX400/NX400LE/NX400Q**

**NX400 PACESETTER**

**NX400 INNOV-IS**

**PC420/PC420PRW/S62/QS480**

**MECHANISMS & ELECTRONICS**

# CONTENTS

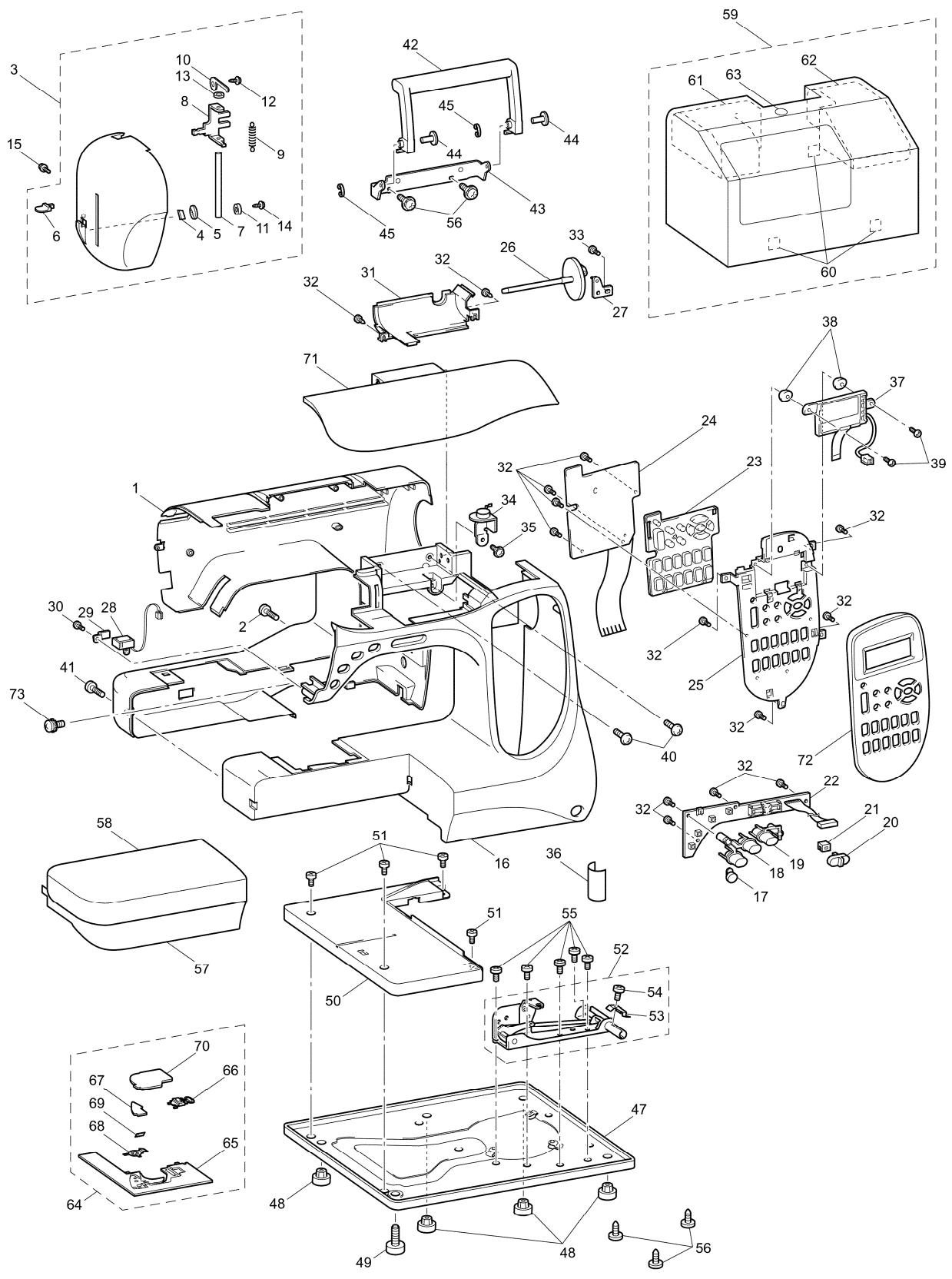
(1) PRINCIPAL PARTS.....	2
(2) UPPER SHAFT MECHANISM.....	4
(3) NEEDLE BAR, PRESSER / FEED, ROTARY HOOK / THREAD CUTTING MECHANISM .....	6
(4) ROTARY HOOK DRIVE / BOBBIN WINDER MECHANISM .....	8
(5) THREAD GUIDE MECHANISM.....	10
(6) ELECTRONIC PARTS / MOTOR UNIT .....	12
(7) ATTACHMENTS / PRINTED MATTER / PACKING MATERIALS.....	14
NEEDLE-PRESSER MODULE.....	18
FEED MODULE .....	22
THREAD CUTTER MODULE .....	24
Service Information .....	26

**Note on parts:**

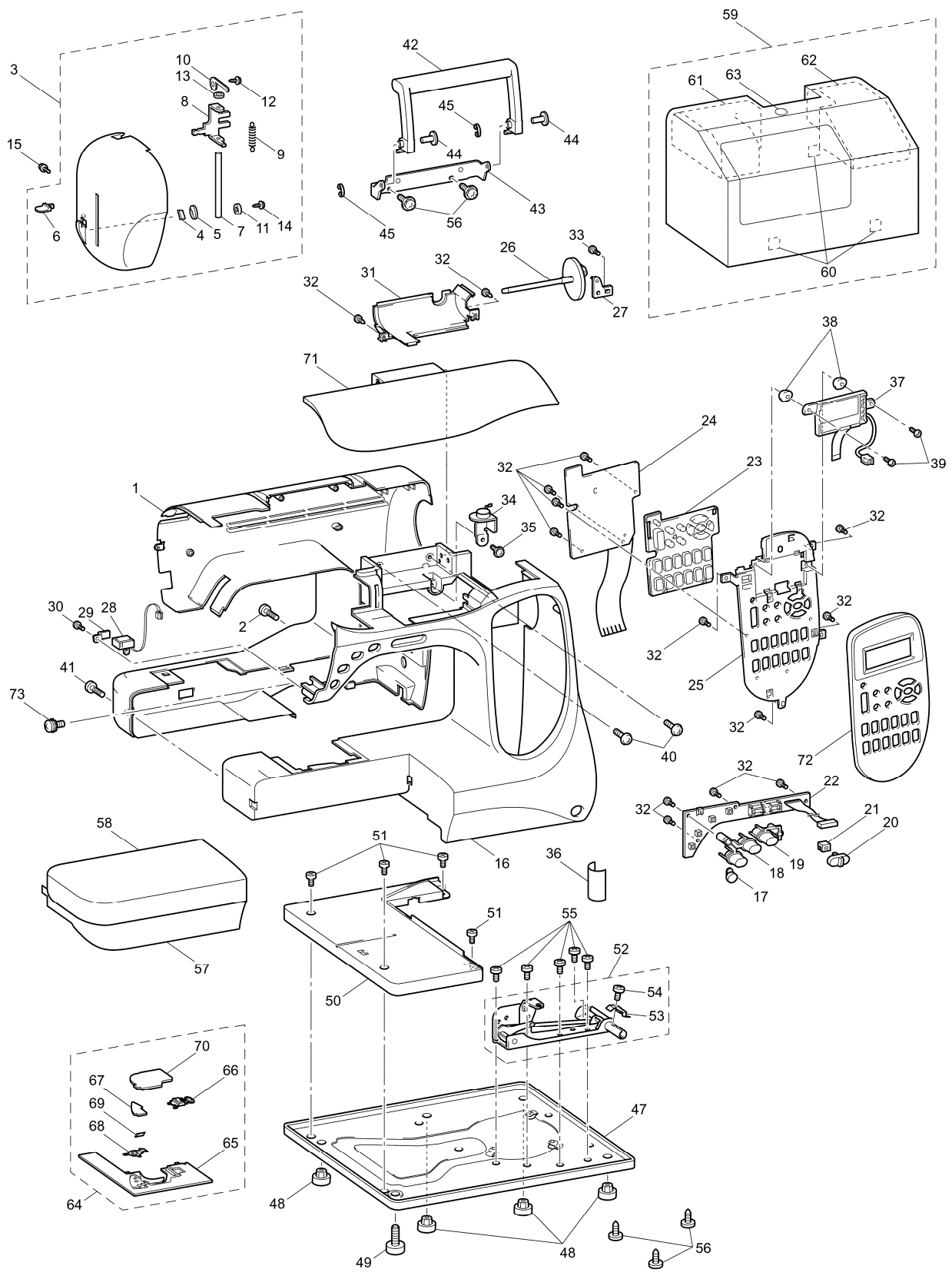
We keep performance parts for this sewing machine for at least 8 years after this model is discontinued. Performance parts are the necessary parts to maintain the function of the sewing machine.

## (1) PRINCIPAL PARTS

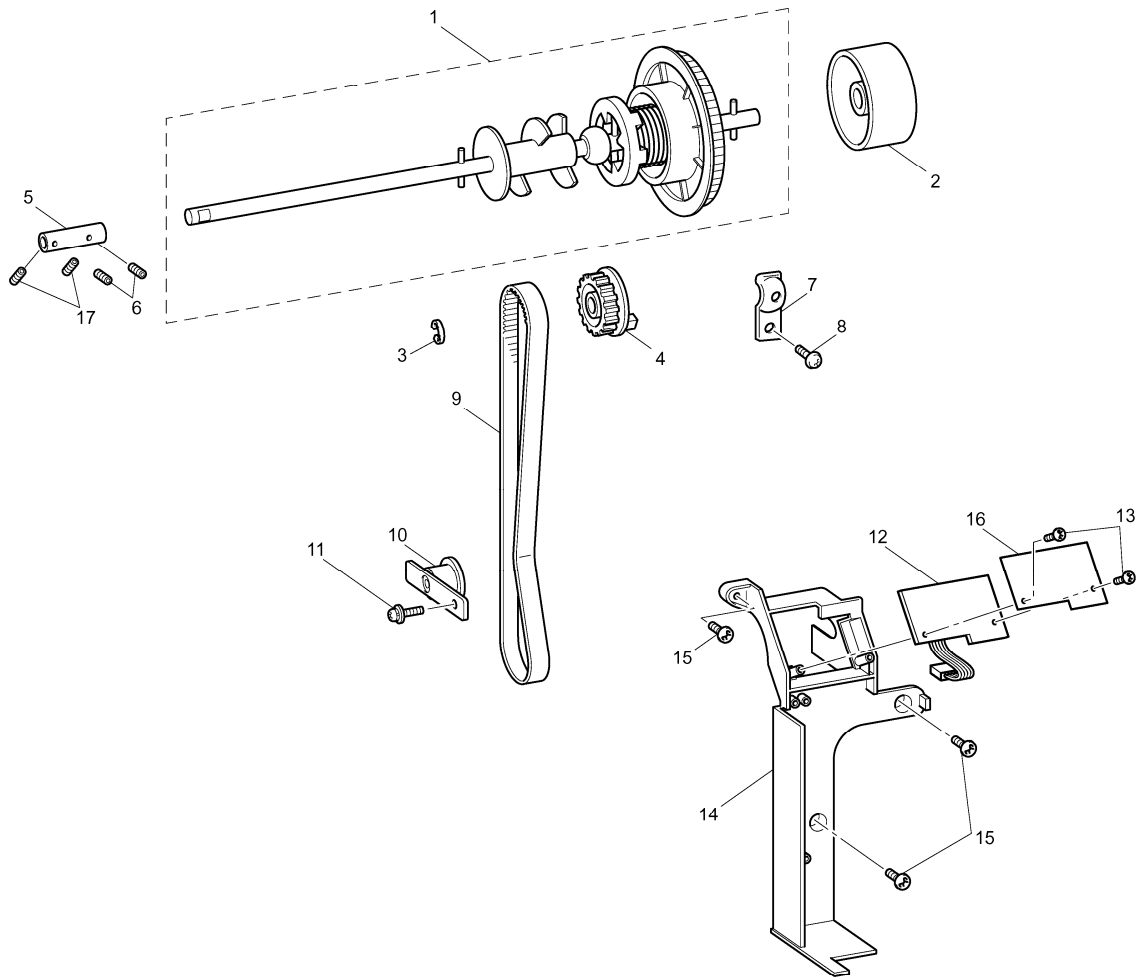
No.	CODE	NAME	REMARKS	No.	CODE	NAME	REMARKS
1	XC4617152	REAR COVER (OTHER)		44	XC2350051	HANDLE SHAFT	
	XC4617155	REAR COVER (S62)	ADD	45	048040346	RETAINING RING E4	1000001452
2	060400816	SCREW BIND M4 X 8		46	137713020	POLYESTER SLIDER	1000014067
3	XC2306152	FACE PLATE	1000011565	47	XC6818151	BASE PLATE	
4	X80321021	NT LOWER THREAD CUTTER	060160	48	XA1805021	BASE RUBBER A	
5	138384021	RETAINING RING,CS5		49	XE1973001	ADJUSTING SCREW ASSY	1000000187
6	XC2747051	NEEDLE THREAD LEVER KNOB		50	XC2354151	BASE PLATE COVER	
7	XA5825051	NEEDLE THREAD LEVER SHAFT		51	060300516	SCREW BIND M3 X 5	
8	XC3039151	NEEDLE THREAD LEVER	1000005948	52	XC4447151	KNEE LIFTER ASSEMBLY	050173
9	138260051	THREAD THROUGH LEVER SPRING		53	XA6215251	SPRING,PLATE	
10	XA6320050	SHAFT PRESSER PLATE		54	060260316	SCREW BIND M2.6 X 3	
11	XE5212001	WASHER,PLAIN	1000011565	55	062400612	SCREW PAN M4 X 6	
12	138433021	TAPTITE,PAN B M3 X 6		56	X57908021	TAPTITE,BIND S M4 X 10	060123
13	XC0508020	RUBBER WASHER		57	XC2358251	ACCESSORY TABLE	CHG
14	X59629021	TAPTITE,BIND B M3 X 10		58	XC2359052	ACCESSORY TABLE DOOR	
15	XC7568051	SCREW PAN (S/P WASHER) M4 X 14	1000000866	59	XC2360252	CASE ASSEMBLY	CHG
16	XC4441353	FRONT COVER		60	125440050	CASE FELT	
17	XC2312053	SS-BUTTON	060123	61	XC2702250	HEAD SUPPORT SF-L	CHG
18	XC2313051	REVERSE BUTTON		62	XC2703050	HEAD SUPPORT SF-R	
19	XC2314051	THREAD CUT BUTTON		63	XZ0161051	BLIND PLATE	
20	XC2315051	SV KEYTOP		64	XE1146101	NEEDLE PLATE B ASSY (OTHER)	1000007183
21	XC2316150	SV JOINT PLATE	050016		XE1146102	NEEDLE PLATE B ASSY (NX400 INNOV-IS, PC420, PC420PRW, NX400Q)	1000007183
22	XC2317151	PCB ASSY:SS-VR F2	CHG	65	XC2365151	NEEDLE PLATE B (OTHER)	1000006517
23	XC4442052	RUBBER KEY F3			XC2365152	NEEDLE PLATE B (NX400 INNOV-IS, PC420, PC420PRW, NX400Q)	1000006517
24	XC4403251	PCB ASSY:OPERATION F3	1000013957	66	XC7371021	SLIDE BUTTON (OTHER)	060093
25	XC4444051	OPERATION PCB HOLDER			XC7371022	SLIDE BUTTON (NX400 INNOV-IS, PC420, PC420PRW, NX400Q)	060093
26	XA1786053	SPOOL PIN		67	XD1666051	CUTTER COVER (OTHER)	050250
27	XC2337051	SPOOL PIN HOLDER ASSY			XD1666052	CUTTER COVER (NX400 INNOV-IS, PC420, PC420PRW, NX400Q)	ADD
28	XD0343051	PCB UNIT:LED LAMP-FR	060035	68	XD1461051	NEEDLE PLATE COVER SPRING	050272
29	XC7081051	LAMP HOLDER SUPPORTER	CHG	69	X80321021	NT LOWER THREAD CUTTER	060160
30	X57372051	TAPTITE PAN P M2.6X8		70	XD1645021	NEEDLE PLATE COVER SUPPLY ASSY	1000001728
31	XC2346051	THREAD BOBBIN COVER		71	XC2304062	TOP COVER (NX400 PACESETTER)	
32	136681021	TAPTITE, BIND B M3 X 8	060123		XC2304061	TOP COVER (NX400)	
33	087311015	TAPTITE CUP B M3 X 10			XC2304056	TOP COVER (NX400Q:U.S.A.)	ADD
34	XC2620051	BOBBIN WINDER GUIDE ASSY			XC2304076	TOP COVER (NX400Q:OTHER)	ADD
35	XA8390021	SCREW	060123		XC2304075	TOP COVER (NX400LE)	ADD
36	XZ0143050	SSVR INSULATION SHEET			XC2304052	TOP COVER (NX400 INNOV-IS)	ADD
37	XC4418051	SINGLE LIGHT GUIDE ASSY			XC2304077	TOP COVER (PC420, PC420PRW)	ADD
38	XE0559001	SPACER	060044		XC2304070	TOP COVER (S62)	ADD
39	085311216	TAPTITE BIND B M3 X 12	060044		XC2304079	TOP COVER (QS480)	1000010872
40	085411416	TAPTITE BIND B M4X14					
41	XA3337022	TAPTITE,CUP P M4 X 20	060123				
42	XC2348051	HANDLE					
43	XC2349051	HANDLE HOLDER					





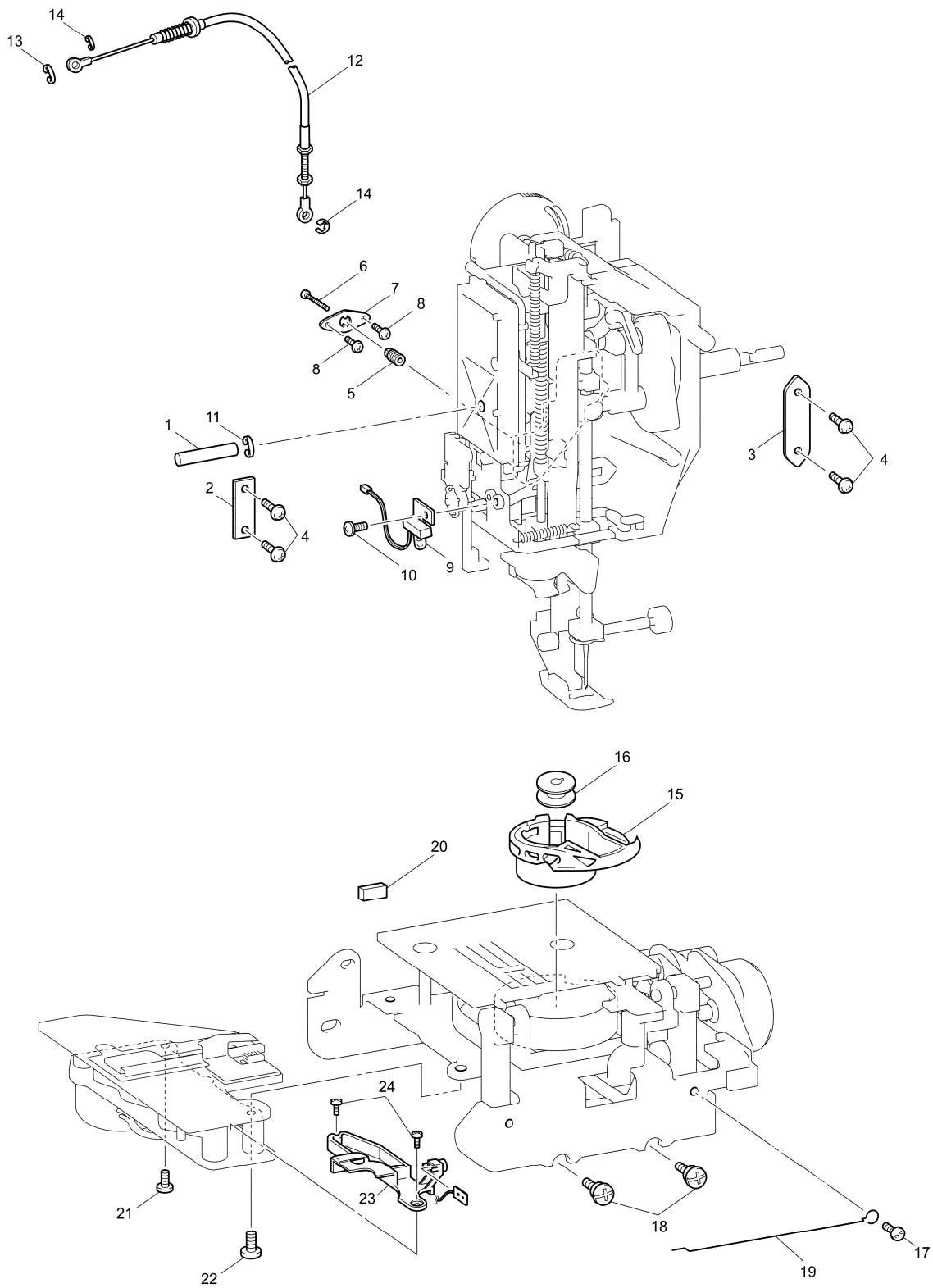






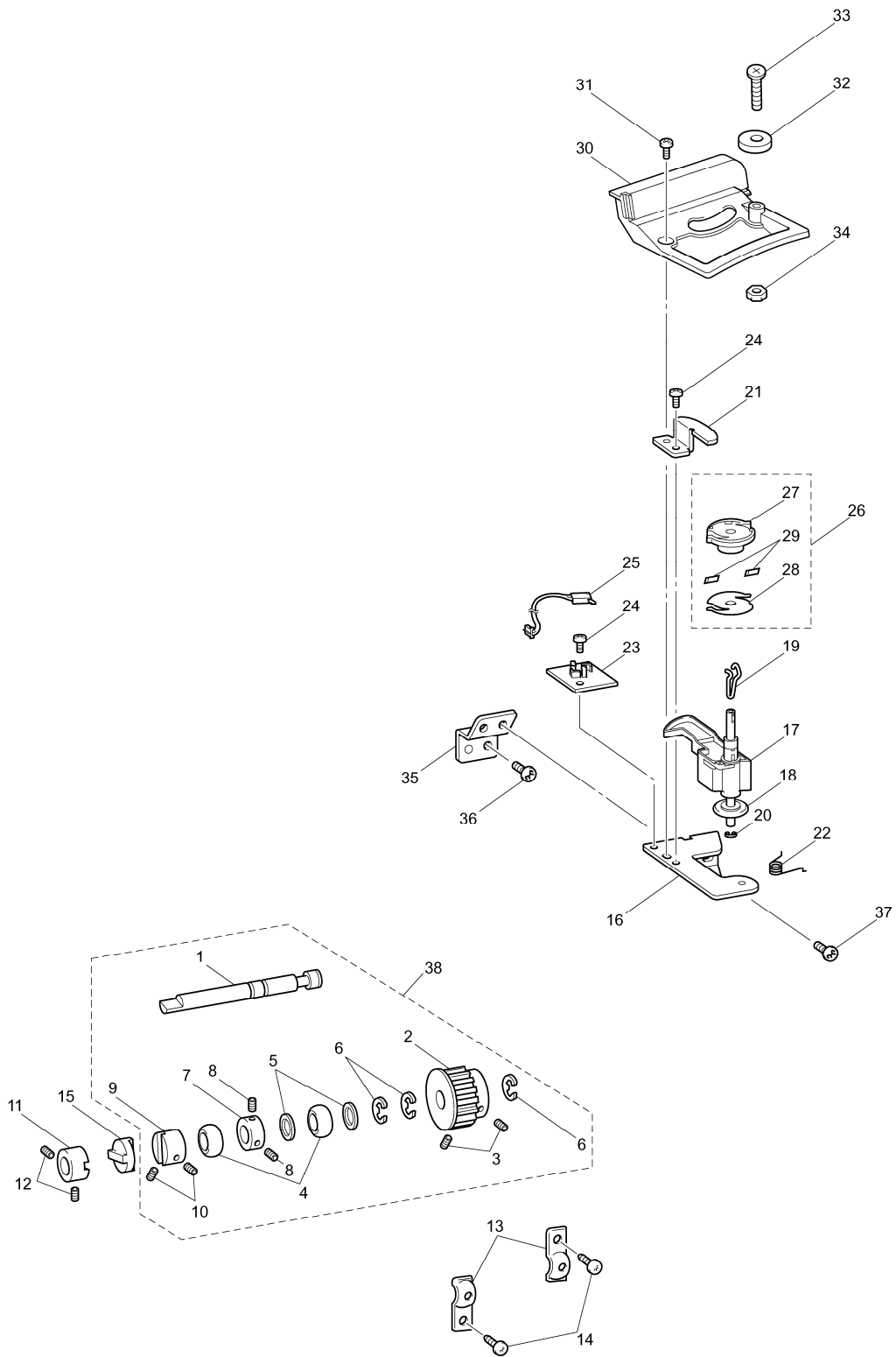






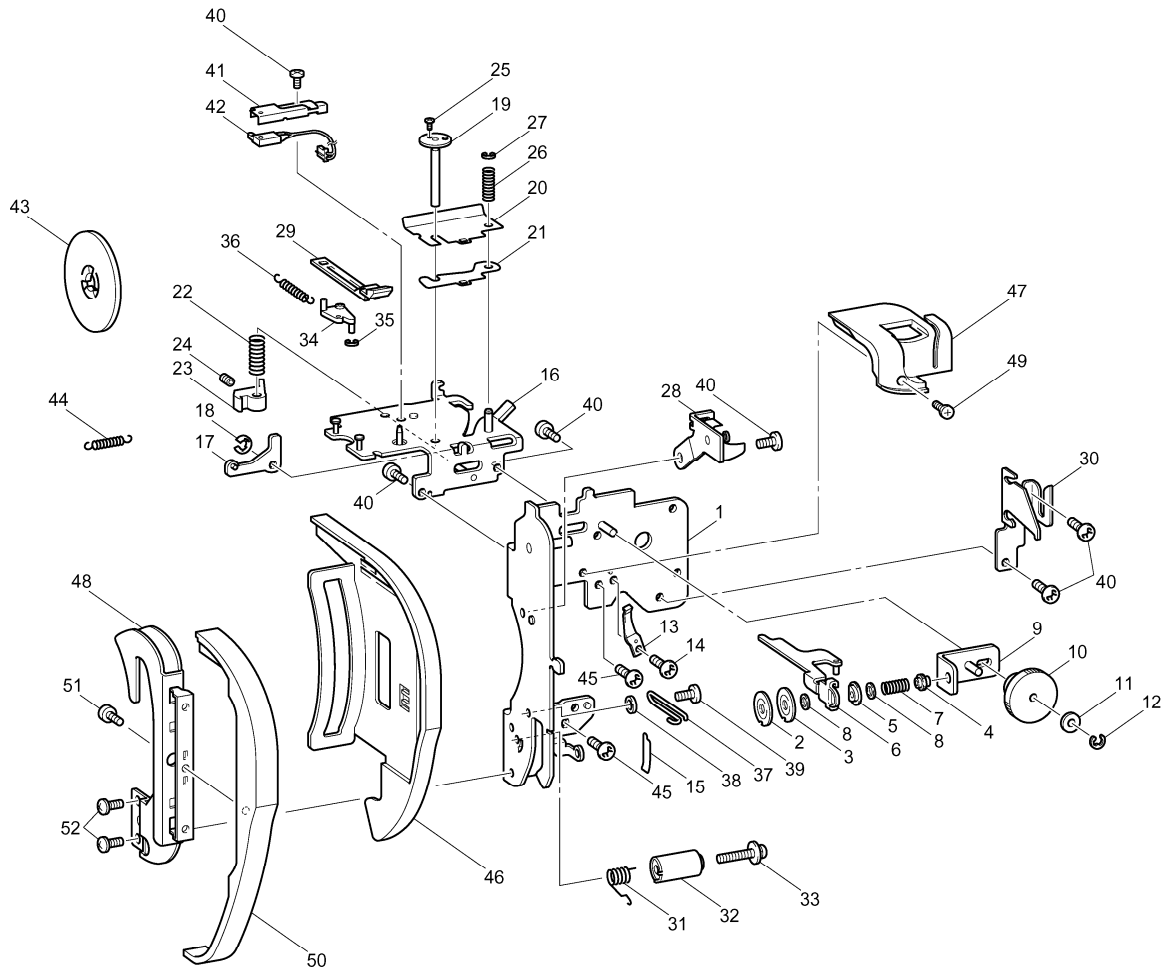
## (4) ROTARY HOOK DRIVE / BOBBIN WINDER MECHANISM

No.	CODE	NAME	REMARKS
ROTARY HOOK DRIVE MECHANISM			
1	XC2600050	LOWER SHAFT A	
2	XC4943021	TIMING PULLEY D	1000000444
3	014500532	SET SCREW SOCKET (CP) M5 X 5	1000000444
4	X52664020	LOWER SHAFT BUSHING	
5	X51383020	WASHER,THRUST	
6	048060346	RETAINING RING E6	1000001452
7	137768121	SET SCREW COLLAR	
8	014400432	SET SCREW SOCKET (CP) M4 X 4	
9	XC2602021	JOINT	060101
10	012500532	SET SCREW SOCKET (FT) M5 X 5	060206
11	XC2602021	JOINT	060101
12	012500532	SET SCREW SOCKET (FT) M5 X 5	060206
13	132421021	BUSHING PRESSER	060101
14	X57908021	TAPTITE,BIND S M4 X 10	060101
15	XC2603050	DISK	
BOBBIN WINDER MECHANISM			
16	XC2605051	BOBBIN WINDER ASSEMBLY HOLDER	
17	XC2606251	BW SHAFT HOLDER ASSEMBLY	050289
18	X55238021	RUBBER RING	
19	XZ5039001	BOBBIN WINDER SHAFT SPRING	1000007062
20	048050343	RETAINING RING E5	050058
21	XA2862021	BOBBIN WINDER SHAFT STOPPER	
22	XZ0070021	BOBBIN WINDER SPRING	
23	XC2614021	SW ADJUST PLATE	
24	060300616	SCREW BIND M3 X 6	
25	XC2612051	SW ASSY:BW-F	
26	XC4672051	BOBBIN BASE ASSY	
27	XC2616051	BOBBIN BASE	
28	XA5877021	BOBBIN THREAD CUTTER HOLDER	
29	X80321021	NT LOWER THREAD CUTTER	060160
30	XC2618051	BOBBIN WINDER COVER	
31	XA8390021	SCREW	
32	XC4517051	BOBBIN PRESSER	
33	0A4302506	SCREW PAN (S/P WASHER) M3X25	CHG
34	021300205	NUT 2 M3	050171
35	XC2615051	BW HOLDER SUPPORTER	
36	X57908021	TAPTITE,BIND S M4 X 10	060115
37	060400816	SCREW BIND M4 X 8	
38	XC2599021	LOWER SHAFT A ASSY	1000001116



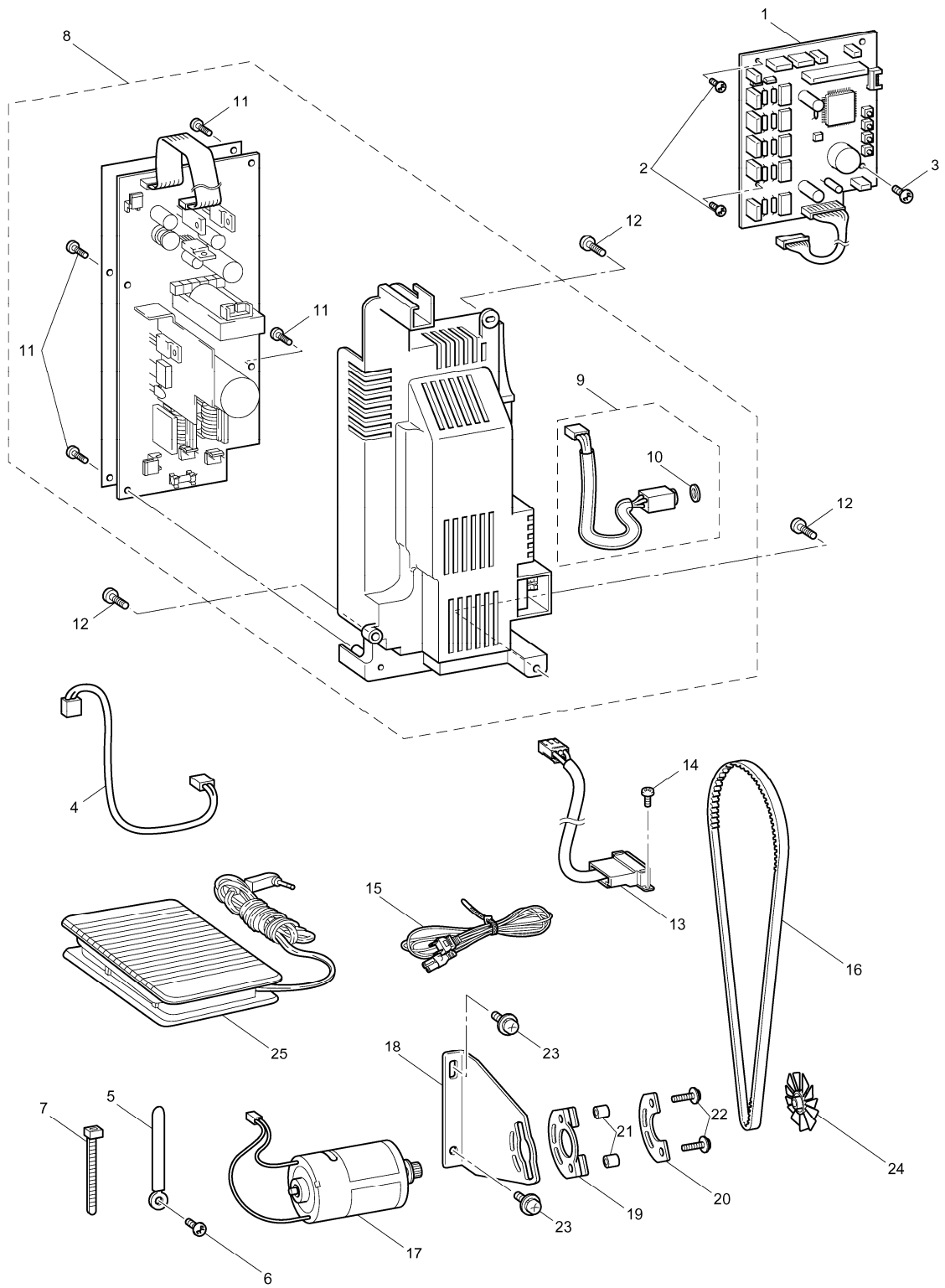
## (5) THREAD GUIDE MECHANISM

No.	CODE	NAME	REMARKS	No.	CODE	NAME	REMARKS
1	XC2624351	THREAD GUARD ASSEMBLY	050065	45	085411015	TAPTITE BIND B M4 X 10	
2	XA0083121	TENSION DISC A	1000006407	46	XC2652152	THREAD GUIDE COVER	
3	XC2626121	TENSION DISC B	1000006407	47	XC2655053	FRONT THREAD GUARD COVER	
4	XC3437051	TENSION ADJUSTING SCREW		48	XC4203251	THREAD GUIDE ASSY	
5	XA1388021	TENSION DISC WASHER	060149	49	060300416	SCREW BIND M3 X 4	
6	XC2627051	TENSION RELEASE PLATE ASSY		50	XC2659052	THREAD GUIDE COVER	
7	XA9900051	THREAD TENSIONS PRING		51	138433021	TAPTITE, PAN B M3 X 6	060149
8	XD0573021	WASHER	060149	52	XC7564021	SCREW, PAN (S/P WASHER) M3 X 6	
9	XC2629051	TENSION PLATE ASSY F2					
10	XC2630054	THREAD TENSION DIAL					
11	137999020	POLYESTER SLIDER	060149				
12	048030346	RETAINING RING E3	1000001452				
13	XC2633051	SPRING PLATE					
14	060300416	SCREW BIND M3 X 4					
15	XA9935050	SPRING TAPE					
16	XC2635151	TENSION RELEASE HOLDER ASSY	040224				
17	XA9571051	TENSION RELEASERLINK					
18	048030346	RETAINING RING E3	1000001452				
19	XC2638151	TENSION PRESSURE ASSY	050279				
20	XA9575051	TENSION PLATE					
21	XA9576051	SPACER					
22	XA9577051	SPRING					
23	XC2640051	TENSION RELEASE CAM					
24	012300432	SET SCREW SOCKET (FT) M3 X 4					
25	X57363051	POWER LOCK 2 X 3					
26	X57605051	SPRING					
27	048020346	RETAINING RING E2	1000001452				
28	XC2644051	PLATE ASSEMBLY					
29	XC2647051	THREAD GUIDE SHUTTER					
30	XC2749051	THREAD GUIDE					
31	XC6957121	THREAD TAKE UP SPRING	1000005353				
32	XC2648121	THREAD CATCHING SPRING CASE	1000003151				
33	0A4301806	SCREW, PAN (S/P WASHE) M3X18					
34	XC2649050	THREAD GUIDE SHUTTER LINK					
35	048030346	RETAINING RING E3	1000001452				
36	XC2650051	SPRING					
37	XC2651050	THREAD GUIDE WIRE					
38	XA9996051	WASHER,PLAIN					
39	XC7564021	SCREW, PAN (S/P WASHER) M3 X 6	060149				
40	060300416	SCREW BIND M3 X 4					
41	XC2641051	PRESSER SWITCH HOLDER					
42	XC2642051	SW ASSY:PF-F					
43	XE1372001	SPOOL PRESSER C	060144				
44	XA9787051	SPRING					



## (6) ELECTRONIC PARTS / MOTOR UNIT

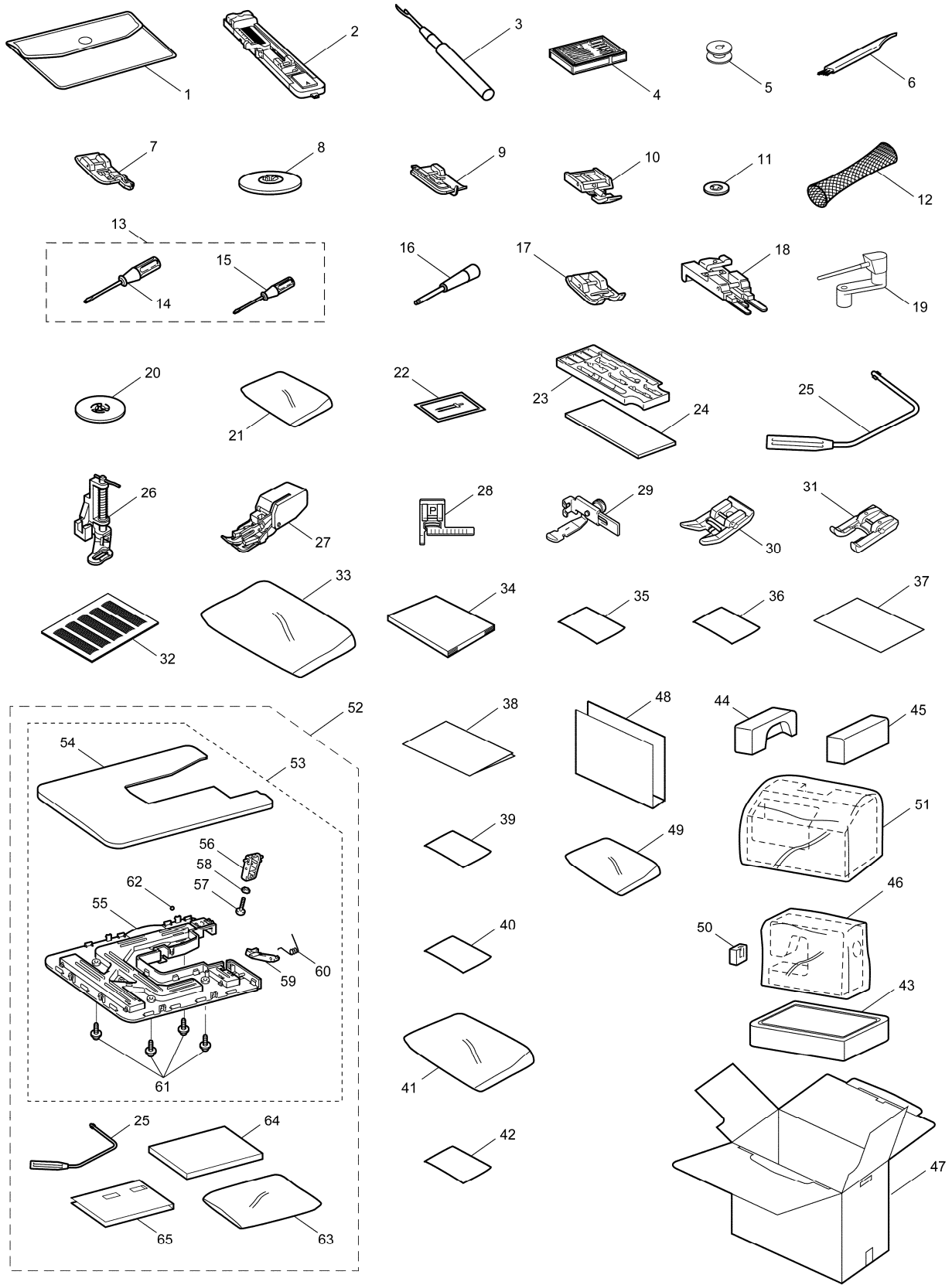
No.	CODE	NAME	REMARKS
ELECTRONIC PARTS			
1	XC4388251	PCB ASSY:MAIN F1D-B	CHG
2	136681021	TAPTITE, BIND B M3 X 8	060119
3	060400816	SCREW BIND M4 X 8	
4	XC2672051	LEAD ASSY:BH CABLE-F	
5	XA0286021	WIRE CLIP	060119
6	X57908021	TAPTITE,BIND S M4 X 10	060119
7	X53169020	BAND	060119
8	XD0471251	POWER SUPPLY UNIT F120 (U.S.A., CANADA)	1000000807
	XD1235151	POWER SUPPLY UNIT F230 (OTHER)	1000000807
	XC2675352	POWER SUPPLY UNIT, F (KOREA)	1000003066
9	XC4488051	FC JACK-F SUPPLY ASSY	CHG
10	XD1973021	NUT F	060160
11	136681051	TAPTITE, BIND B M3 X 8	
12	XC7568051	SCREW PAN (S/P WASHER) M4 X 14	1000000866
13	XC4412051	INLET ASSY:F1D-US (U.S.A., CAN, TWN)	
	XC4417051	INLET ASSY:F1D-EU (OTHER)	
14	060400616	SCREW, BIND M4 X 6	
15	XC6052021	POWER SUPPLY CORD:UL CSA-LF (U.S.A., CANADA)	060116
	XA0070121	POWER SUPPLY CORD (OTHER)	060116
	X59354121	POWER SUPPLY CORD-BS, (U.K., HKG)	1000012710
	XC9548021	POWER SUPPLY CORD : SAA-LF (AUS)	060116
	XE2016001	POWER SUPPLY CORD (KOREA)	1000000491
	XD0225021	POWER SUPPLY CORD : TWN (TWN)	1000008621
MOTOR UNIT			
16	XC2685051	T BELT494-2GT-6	
17	XC2687051	ASSY:MAIN MOTOR-F	
18	XC2690051	MOTOR HOLDER	
19	XA9649050	FENDER RUBBER	
20	XA9650051	MOTOR SPACER PRESSER	
21	XC3027051	SPACER 4 X 6	
22	XC7568051	SCREW, PAN (S/P WASHER) M4 X 14	040227
23	XA8474021	UPSET 4 X 12 DB	060117
24	XA9652150	MOTOR FAN	
25	XC6651221	FOOT CONTROLLER:FC-313-81-LF	1000014451
	XD0496121	FOOT CONTROLLER:FC-313-LF-EU	1000014451





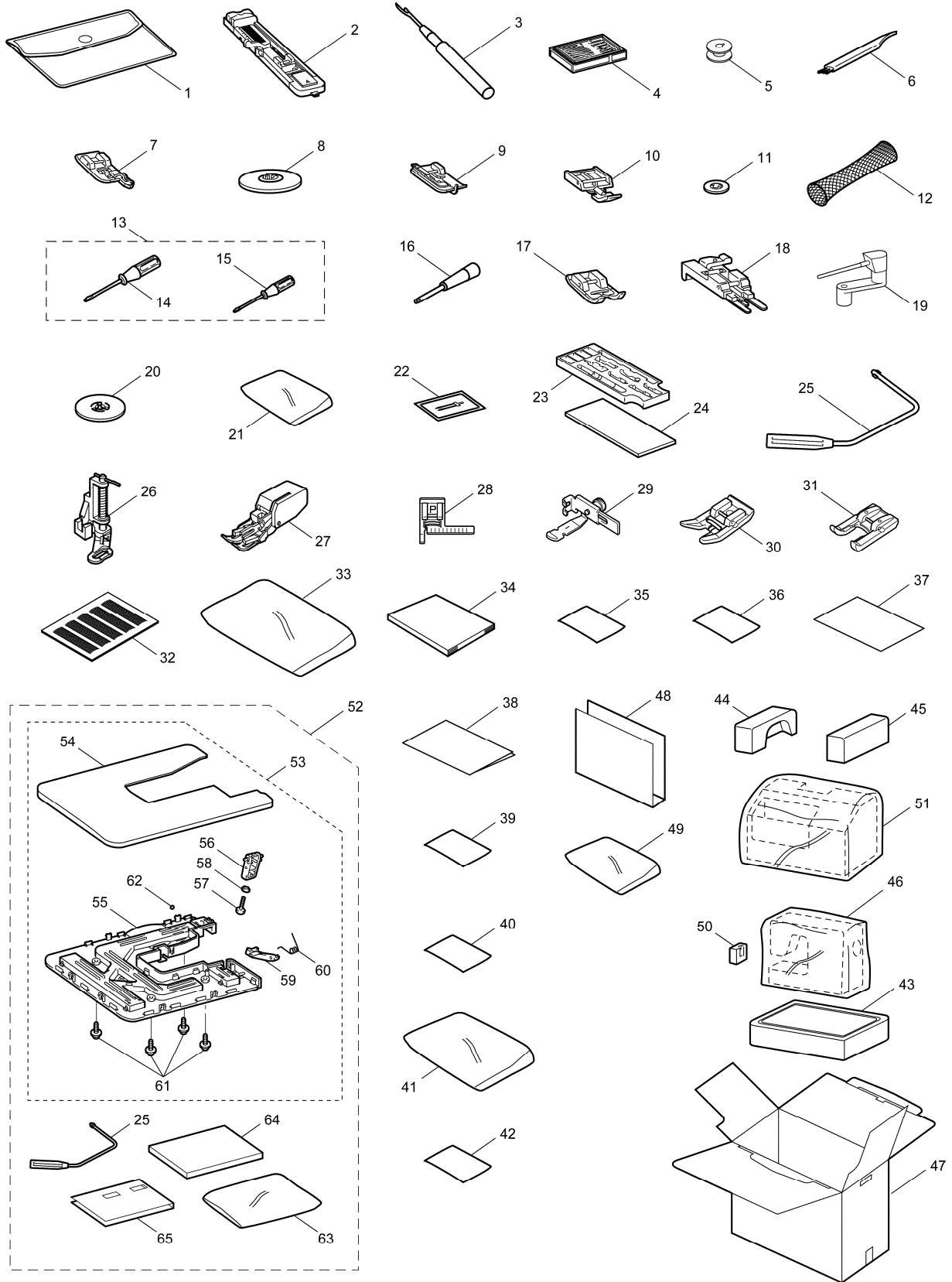
## (7) ATTACHMENTS / PRINTED MATTER / PACKING MATERIALS

No.	CODE	NAME	REMARKS	No.	CODE	NAME	REMARKS
ATTACHMENTS							
1	XC4487021	ACCESSORY BAG	060100		XC7202121	INSTRUCTION BOOK (Russian)	060051
2	XC2691023	BH PRESSER FOOT ASSY	060100	35	XC8946021	WARRANTY CARD C (U.S.A.)	060051
3	X54243051	SEAM RIPPER			UH385100	WARRANTY CARD EUR (EUROPE)	
4	X58358021	Z NEEDLE ASSY	060100		XA6351251	WARRANTY CARD (ITALY)	050317
5	X52800120	BOBBIN	060100		XE2005001	EEU WARRANTY CARD	1000000462
6	X59476021	CLEANING BRUSH	060100		XE3332001	MASS WARRANTY CARD (HKG)	1000012710
7	XC3098031	OVERCASTING STITCH FOOT ASSY	060104	36	XE2010001	WARRANTY CARD BROTHER CANADA	1000001038
8	130012024	SPOOL PRESSER A			XE5572001	WARRANTY CARD BROTHER RUS (RUS)	1000010023
9	XE2650001	BLIND STITCH FOOT ASSY	1000009241		181401137	INSERTION WARRANTY COUPON (U.K.)	
10	X59370021	ZIPPER FOOT	060100	37	XC4546151	QUICK REFERENCE GUIDE (OTHER)	
11	130013124	SPOOL PRESSER B			XE6144001	QUICK REFERENCE GUIDE (NX400: HKG)	1000012710
12	XA5523020	NET	060100		XE6145001	QUICK REFERENCE GUIDE (NX400: HKG)	1000012710
13	XE0243001	SCREW DRIVER ASSY	060020	38	XC4589051	QUICK REFERENCE GUIDE (Pattern selecting)	
14	XC8349021	SCREW DRIVER	1000013436	39	XC4545051	CAUTION SHEET	
15	X55468021	SCREW DRIVER S	1000013436	40	XC4544051	LANGUAGE SETTING SHEET	
16	XZ5051001	PUNCH		41	XA0188020	BAG 260X375HC	1000014034
17	XD0810031	TRANSPARENCY PRESSER FOOT	060182	42	XC9158151	STITCH REFERENCE CARD	1000012026
18	XE2643001	BUTTONING FOOT ASSY	1000006460	PACKING MATERIALS			
19	XC4654051	EXTRA SPOOL PIN ASSY		43	XC2704250	BODY SUPPORT SF	050305
20	XE1372001	SPOOL PRESSER C	060144	44	XC2705150	CASE SUPPORT	050310
21	X57367021	BAG,135 X 150	060100	45	XC2706150	CASE SUPPORT SF-R	050312
22	X59296121	TWIN NEEDLE (1PC)	060100	46	X60439121	BAG 630 X 630T	1000013217
23	XC4489051	ACCESSORY TRAY		47	XC4623051	CARTON (NX400 PACESETTER)	
24	XC4490050	SPONGE			XE0654001	CARTON (NX400)	060090
25	XA6941052	KNEE LIFTER LEVER ASSY (Except NX400Q, QS480, NX400: TWN)			XE0668001	CARTON ASSY (NX400Q:U.S.A.)	
26	XA4322001	QUILTING FOOT			XC6271055	CARTON (NX400Q:OTHER)	ADD
27	XE1679201	WALKING FOOT ASSEMBLY	1000000446		XC4623059	CARTON (NX400LE)	ADD
28	X51804001	STITCH FOOT			XE0660001	CARTON (NX400 INNOV-IS)	ADD
29	103561002	ZIPPER FOOT			XE0670001	CARTON ASSY (TAIWAN)	060077
30	XA4783001	NO STICK FOOT H			XE1137101	CARTON (RUS)	100005999
31	XE1105101	APPLIQUE FOOT ASSY	1000002053		XE1276001	CARTON (PC420)	ADD
32	XC4549020	SA527/GS4 GRID SHEET SET			XE5024001	COLOR CARTON (PC420PRW)	100008471
33	XA0188020	BAG 260 x 375HC	1000012991		XC4623058	CARTON (S62)	ADD
	XC3198101	SIDE CUTTER ASSY (TAIWAN)	1000009333		XE5785001	CARTON (QS480)	100010872
PRINTED MATTER				48	XC4631051	PAD (Except NX400Q, QS480, NX400: TWN)	
34	XE1139001	INSTRUCTION BOOK ENG (English)	060099	49	XC4515020	BAG, BUBBLE PACK 250 X 250	060077
	XC4582021	INSTRUCTION BOOK (French)	060051	50	XC4762250	THREADER SUPPORT SF	050294
	XC4583051	INSTRUCTION BOOK (German)		51	XE3838001	BAG 750 X 600H	1000005912
	XC4584051	INSTRUCTION BOOK (Dutch)		52	XE1144001	TABLE LEVER ASSY (NX400Q, QS480, NX400: TWN)	100010872
	XE5110001	INSTRUCTION BOOK SPA (Spanish)		53	XE1143101	WIDE TABLE ASSY (NX400Q, QS480, NX400: TWN)	100010872
	XC4586051	INSTRUCTION BOOK (Italian)		54	XC4492051	TABLE UPPER (NX400Q, QS480, NX400: TWN)	100010872
	XC7372051	INSTRUCTION BOOK, (Danish)	ADD	55	XC4493021	TABLE LOWER (NX400Q, QS480, NX400:TWN)	100010872
	XC7373051	INSTRUCTION BOOK (Swedish)	ADD				



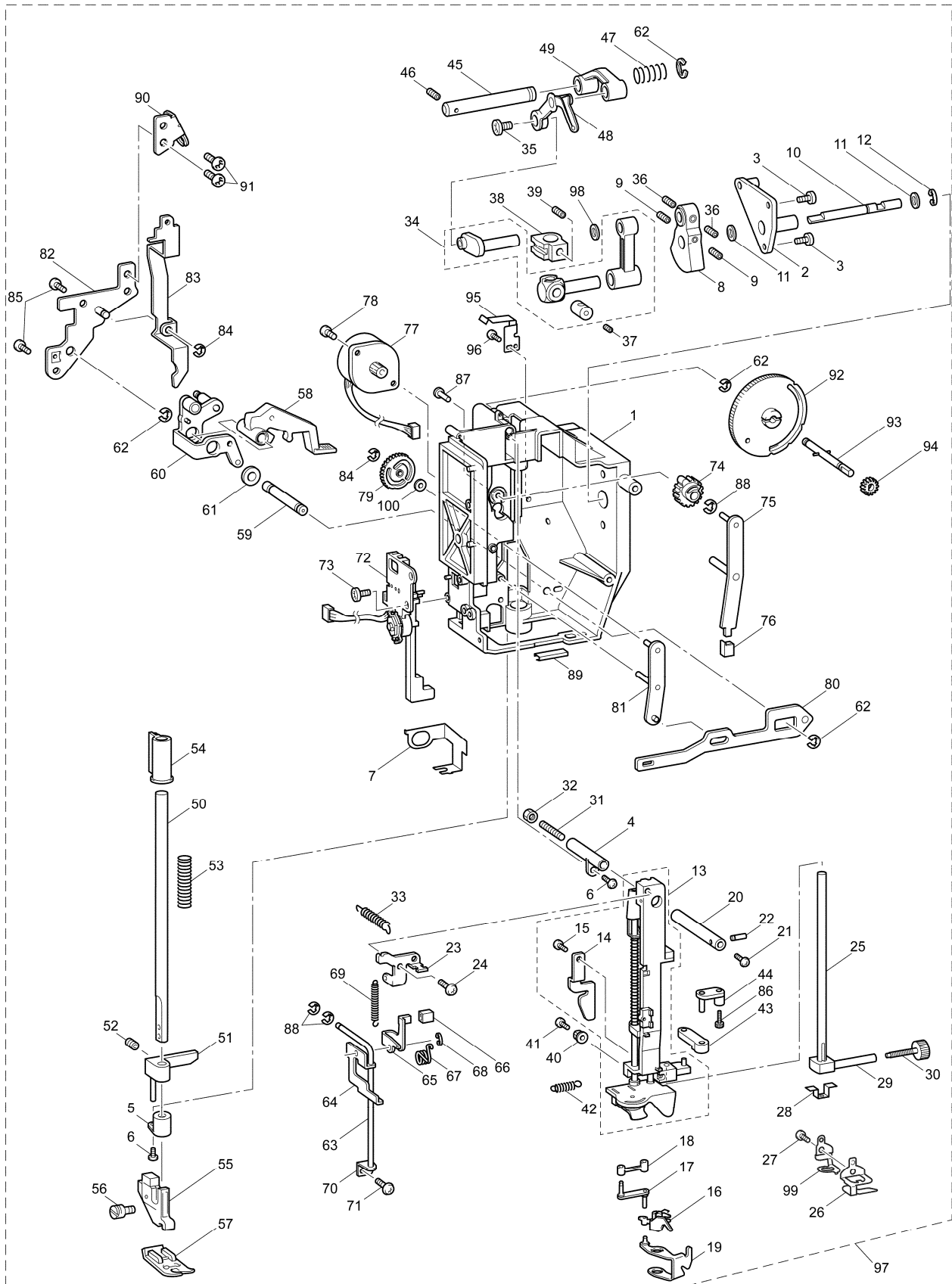
## (7) ATTACHMENTS / PRINTED MATTER / PACKING MATERIALS

No.	CODE	NAME	REMARKS
56	XC4495051	TABLE FOOT (NX400Q, QS480, NX400: TWN)	100010872
57	XD1223021	ADJUSTING FOOT (NX400Q, QS480, NX400: TWN)	100010872
58	021400206	NUT 2 M4 (NX400Q, QS480, NX400: TWN)	100010872
59	XC4497151	LOCK LEVER (NX400Q, QS480, NX400: TWN)	100010872
60	XE3127001	LOCK SPRING (NX400Q, QS480, NX400: TWN)	100010872
61	087411416	TAPTITE CUP B M4X14 (NX400Q, QS480, NX400: TWN)	100010872
62	XA6069050	CUSHION RUBBER (NX400Q, QS480, NX400: TWN)	100010872
63	X61231021	BAG 400X500H (NX400Q, QS480, NX400: TWN)	100010872
64	XC4509051	TABLE CARTON (NX400Q, QS480, NX400: TWN)	100010872
65	XC4512050	PAD (NX400Q, QS480, NX400: TWN)	100010872
	XE6298001	ACCESSORY LEAFLET 4	1000013826
	XC2067121	USER'S MANUAL (NX400Q)	060051
	XE5787001	INSERTION SHEET (QS480)	100010872
	XA3805021	1/4"QUILTING FOOT (NX400Q, NX400: TWN)	060104
	X59819021	QUILTER (NX400Q, NX400: TWN)	060100
	X60838051	BAG,70X110C (Except:NX400Q)	ADD
	XC4805050	TABLE SUPPORT SF (NX400Q, QS480, NX400: TWN)	100010872
	XC6330051	FREEMOTION GRIP ASSY (QS480)	ADD

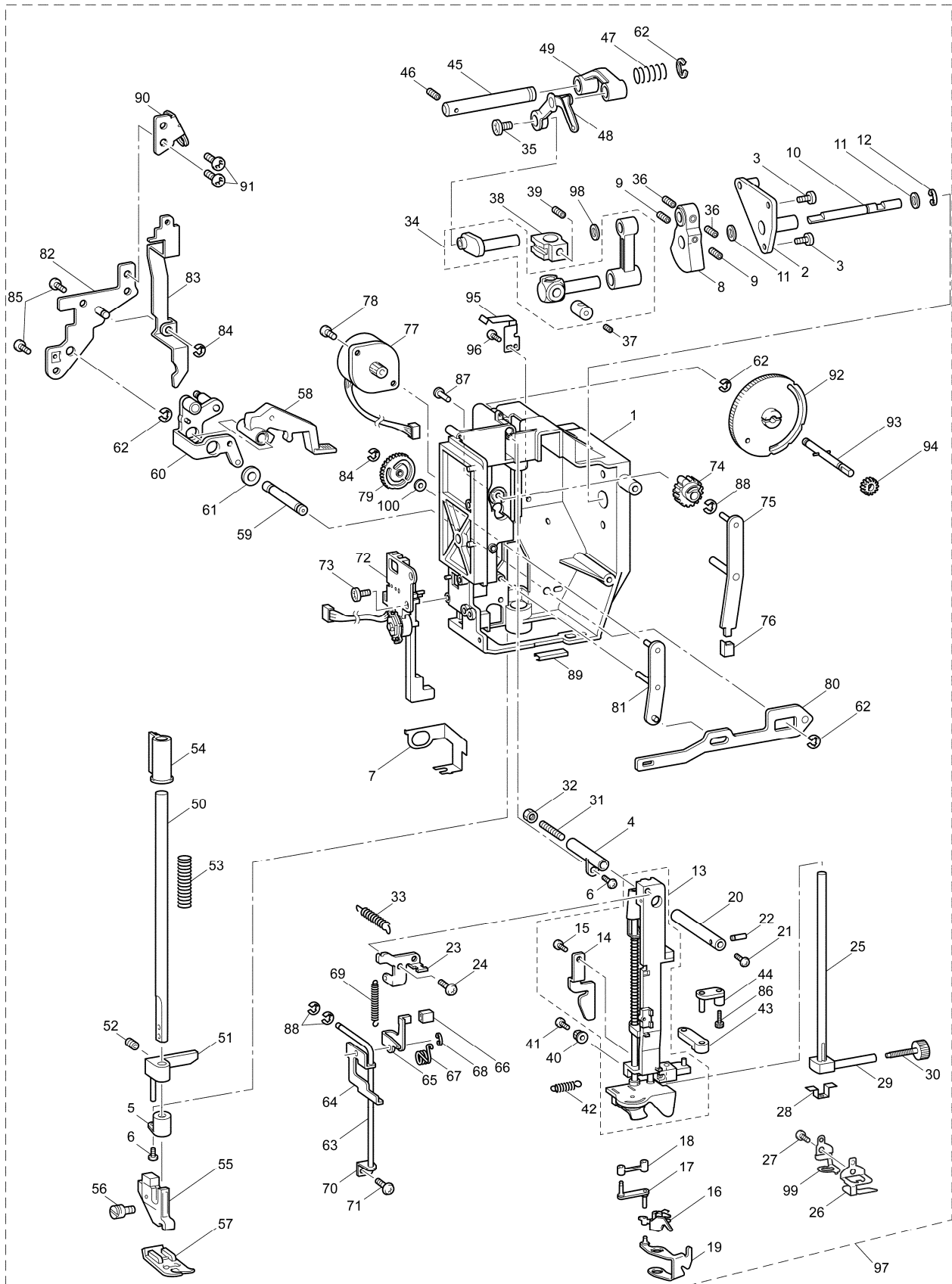


## NEEDLE-PRESSER MODULE

No.	CODE	NAME	REMARKS	No.	CODE	NAME	REMARKS
1	XE0017101	UPPER UNIT HOLDER	1000008073	45	XC2440021	SHAFT	040142
2	XC2395221	SHAFT BUSHING ASSEMBLY	1000014050	46	014300532	SET SCREW SOCKET (CP) M3 X 5	
3	0A5401405	SCREW PAN (S/P WASHER) M4 X 14	040227	47	XC2441021	SPRING	
4	XC2398020	SHAFT BUSHING A		48	XC2442153	THREAD TAKE-UP LEVER	1000006969
5	XC2399021	PRESSER BAR BUSHING		49	XC2443020	THREAD TAKE-UP LEVER LINK	
6	085310815	TAPTITE BIND B M3 X 8	CHG	50	XC2444021	PRESSER BAR	
7	XC5362020	PLATE SPRING	CHG	51	XC2445021	PRESSER BAR CLAMP ASSY	
8	XC2400021	THREAD TAKE-UP COUNTER WEIGHT		52	014501032	SET SCREW, SOCKET (CP) M5 X 10	060206
9	012500532	SET SCREW SOCKET (FT) M5 X 5		53	XC4457051	SPRING	
10	XC2401021	UNIT SHAFT		54	XC4458050	PRESSER SPRING SUPPORTER	
11	132434020	WASHER		55	XC3015031	PRESSER FEED HOLDER ASSY	060160
12	048060346	RETAINING RING E6	1000001452	56	132730122	TIGHTENING SCREW 3.57	1000003761
13	XC2402251	NEEDLE BAR SUPPORTER ASSY		57	XC3021031	Z FOOT	060160
14	XC2418020	HOOK RELEASE PLATE		58	XC2451021	PRESSER FOOT LIFTER	
15	060260516	SCREW BIND M2.6 X 5		59	XC4459051	PRESSER LIFT SHAFT	
16	XD1550151	THREADER HOOK ASSY	1000006034	60	XC4460051	LIFTER ASSY	
17	XD1546051	LINK A ASSY		61	XA1860120	WASHER	
18	XD1548151	LINK B	1000009134	62	048040346	RETAINING RING E4	1000001452
19	XC2415021	THREAD GUIDE ASSY		63	XC2453021	LEVER GUIDE SHAFT	040142
20	XC2419021	SHAFT		64	XC2455021	LEVER A ASSY	
21	000020416	SCREW BIND M2 X 4		65	XC2458021	LEVER B	
22	XC2420020	SHAFT	040142	66	XC2459020	CAP	
23	XC2421121	PLATE		67	XC2460021	TORSION SPRING	
24	060300516	SCREW BIND M3 X 5		68	048030343	RETAINING RING E3	1000001452
25	XC2423021	NEEDLE BAR	060152	69	XC2461021	SPRING	
26	XE0011101	NEEDLE BAR THREAD GUIDE Q	ADD	70	XC2462021	LEVER PRESSER PLATE	
27	X53053052	SCREW SM2.38		71	138433021	TAPTITE, PAN B M3 X 6	CHG
28	XC2426020	NEEDLE THREAD PLATE		72	XC2463121	BH SWITCH ASSY	
29	XC2427051	NEEDLE BLOCK		73	XZ0149021	TAPTITE, PAN B 4 X 12	
30	XC2428121	NEEDLE CLAMP SCREW	1000010409	74	XC2474020	Z ZIGZAG CAM	
31	014401232	SET SCREW SOCKET (FT) M4 X 12		75	XC2476021	Z ZIGZAG LEVER ASSY	
32	X56851021	LOCK NUT		76	XC2480020	Z LEVER CUP	
33	XC2429021	SPRING		77	XC2481021	MOTOR, PULSE: Z SMJ35-4840-A	CHG
34	XE2589001	NEEDLE BAR CRANK ROD ASSY	1000001910	78	X59629021	TAPTITE, BIND B M3X10	CHG
35	132051022	SCREW, FLAT SM3.57-40 X 7 L		79	XC2483020	T CAM	
36	012500532	SET SCREW SOCKET (FT) M5 X 5		80	XC2491121	THREAD RELEASER ASSY	1000013556
37	014400432	SET SCREW SOCKET (CP) M4 X 4		81	XC2494021	THREAD RELEASE LEVER ASSY	
38	XC2434021	NEEDLE THREAD BLOCK		82	XC4465051	ADJUSTING PLATE ASSY	
39	012400432	SET SCREW SOCKET (FT) M4 X 4		83	XC2501121	TENSION RELEASER C	
40	XC2435020	ZIGZAG ADJUSTING NUT		84	048030346	RETAINING RING E3	1000001452
41	018301032	BOLT SOCKET M3 X 10	060206	85	XC3588021	GIZA TITE 4 X 12	050191
42	XC2748021	SPRING-Z		86	XC3037021	SCREW3 X 10	040219
43	XC2436021	NEEDLE HOLDER BLOCK		87	XC2475021	SHAFT	040142
44	XC2437021	SHAFT ASSY		88	048020346	RETAINING RING E2	1000001452



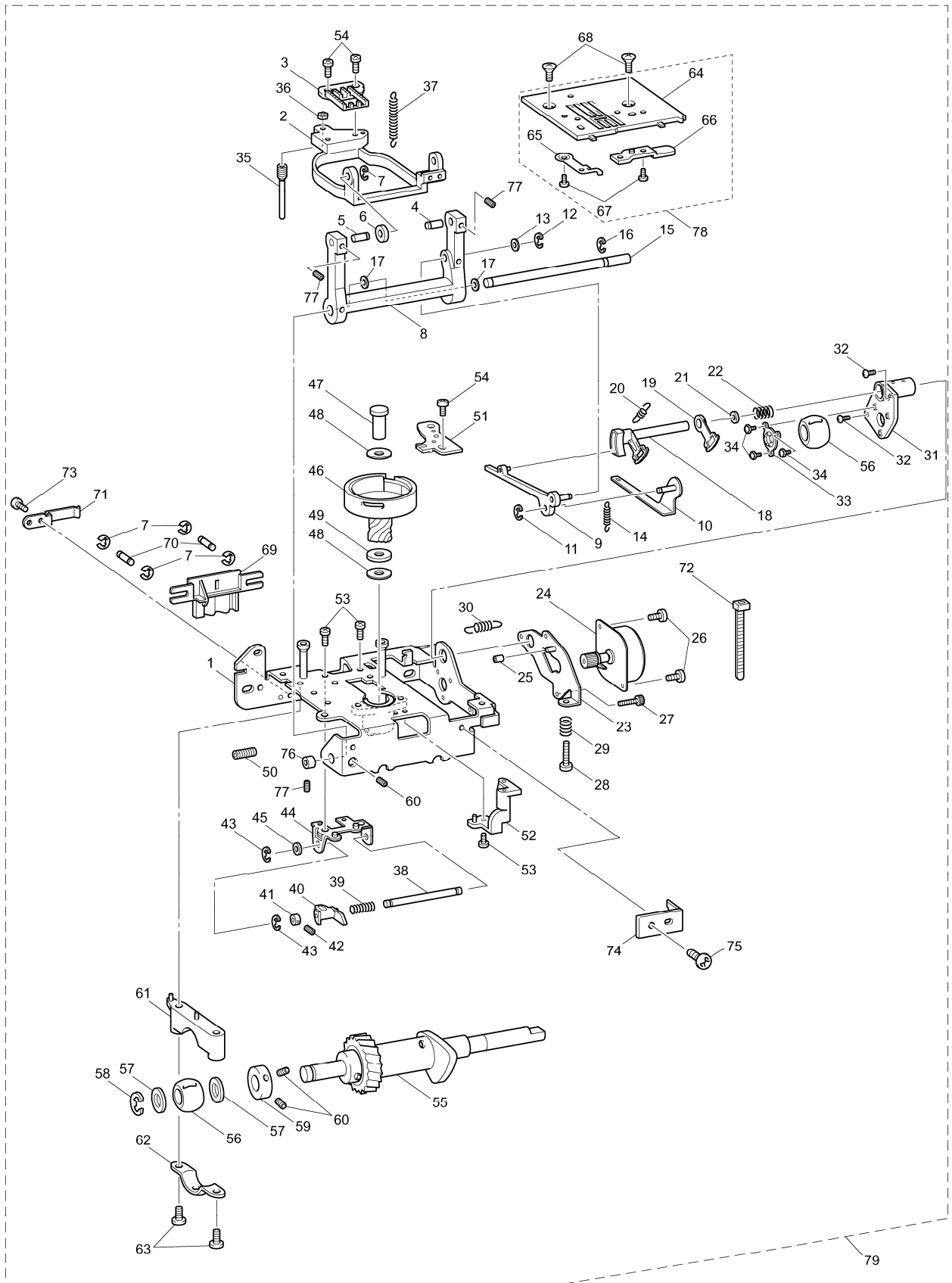






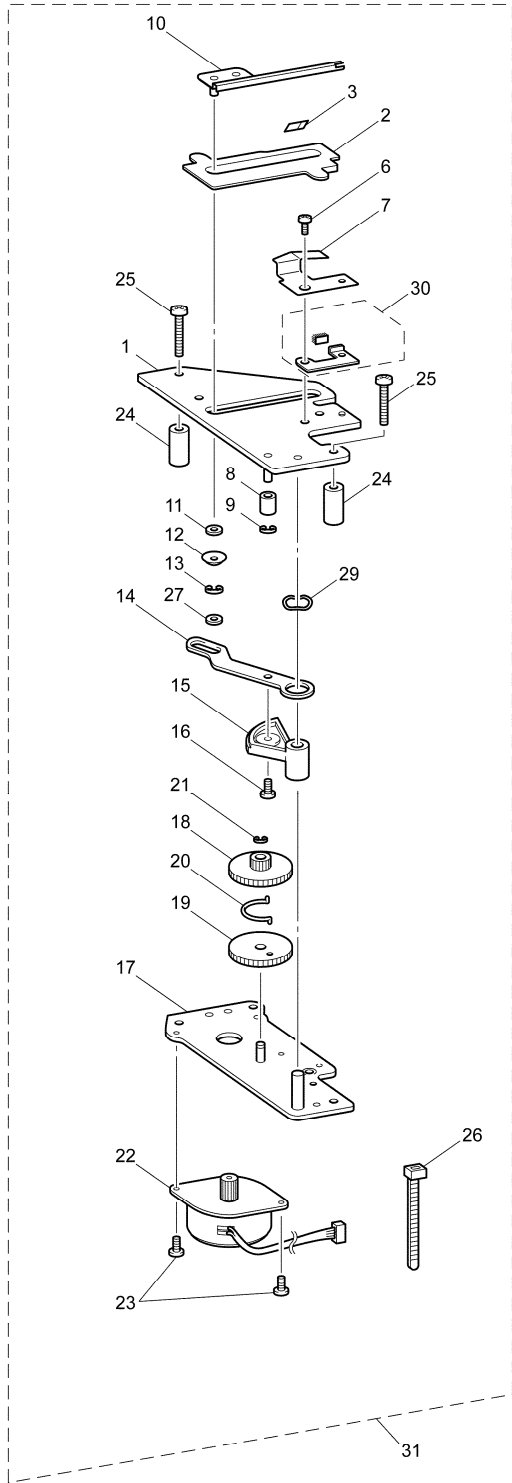
## FEED MODULE

No.	CODE	NAME	REMARKS	No.	CODE	NAME	REMARKS
1	XC7638121	BASE PLATE	060148	45	137713020	POLYESTER SLIDER	060148
2	XC2510021	FEED BAR		46	XC2210021	OUTER ROTALY HOOK ASSY	060148
3	XC2511051	FEED DOG		47	XD1943021	OUTER ROTARY HOOK SHAFT	060148
4	XC2512021	FEED BAR SHAFT A	060148	48	137805022	SPACER	060148
5	XC2513021	FEED BAR SHAFT B	060148	49	137976021	WASHER 6	060148
6	XC2514021	FEED BAR SPACER		50	014400632	SET SCREW SOCKET (CP) M4 X 6	
7	048020346	RETAINING RING E2	1000001452	51	XC2555021	INNER ROTARY HOOK BRACKET ASSY	
8	XC8337021	FEED ARM A	050017	52	XC2559221	STOPPER PLATE BLOCK ASSY	
9	XC2517021	FEED ARM B ASSY		53	060400516	SCREW BIND M4 X 5	
10	XC2521021	FEED SUPPORTING PLATE ASSY		54	060300816	SCREW BIND M3 X 8	
11	048020346	RETAINING RING E2	1000001452	55	XC2562021	LOWER SHAFT B ASSY	
12	048030346	RETAINING RING E3	1000001452	56	X52664020	LOWER SHAFT BUSHING	060148
13	137999020	POLYESTER SLIDER		57	X51383020	WASHER,THRUST	060148
14	XZ0174021	SPRING		58	048060346	RETAINING RING E6	1000001452
15	XC7835051	HORIZONTAL FEED SHAFT	050017	59	137768121	SET SCREW COLLAR	060148
16	048050346	RETAINING RING E5	1000001452	60	014400432	SET SCREW, SOCKET (CP) M4 X 4	
17	X50546020	WASHER,THRUST	060148	61	XC2566021	BUSHING SUPPORTER A	
18	XC2527121	FEED ADJUSTER	1000000154	62	XC2567021	BUSHING PRESSER A	
19	XC2529020	F GEAR		63	060401616	SCREW BIND M4 X 16	
20	XC2530021	SPRING		64	XC2569051	NEEDLE PLATE A	
21	137713020	POLYESTER SLIDER		65	XC2570121	STOPPER PLATE	050293
22	XC2531021	SPRING		66	XC2571021	F GEAR STOPPER PLATE	
23	XC2532021	FPM HOLDER ASSY		67	060260316	SCREW BIND M2.6 X 3	
24	XC2534021	MOTOR,PULSE:F SMJ35-4840-C		68	X50487021	SCREW M4	1000010447
25	XC2587020	RUBBER	040131	69	XC2572021	DROP KNOB	
26	060300516	SCREW, BIND M3 X 5		70	XC2573051	SLIDE SHAFT B	040142
27	XC3338021	SCREW3 X 8	060148	71	XC2574021	SPRING PLATE	
28	018402533	BOLT SOCKET M4 X 25	060206	72	X53169020	BAND	060148
29	XC2537021	SPRING		73	060300516	SCREW BIND M3 X 5	
30	XC2538021	SPRING		74	XC8195051	SHAFT STOPPER PLATE	050017
31	XC2539021	BUSHING SUPPORTER ASSY		75	060300516	SCREW BIND M3 X 5	050017
32	060400616	SCREW BIND M4 X 6		76	130676121	SET SCREW COLLAR	060148
33	XC2542021	BUSHING PRESSER B		77	014400432	SET SCREW SOCKET (CP) M4 X 4	050017
34	060300516	SCREW BIND M3 X 5		78	XC2568021	NEEDLE PLATE A ASSY	1000001116
35	XC3941021	VERTICAL ADJUSTER SCREW ASSY	060148	79	XC4479151	FEED SUPPLY UNIT ASSY (OTHER)	060066
36	XC2546021	M5 NUT	060148		XC4479152	FEED SUPPLY UNIT ASSY (U.S.A & CANADA)	060066
37	XC2547021	SPRING					
38	XC8361021	VERTICAL FEED SHAFT	040085				
39	XC2550021	SPRING					
40	XC2551020	VERTICAL LEVER					
41	XC2552021	SET SCREW COLLAR	040142				
42	014400432	SET SCREW SOCKET (CP) M4 X 4					
43	048030346	RETAINING RING E3	1000001452				
44	XC7801021	VERTICAL SUPPORTING PLATE	040085				

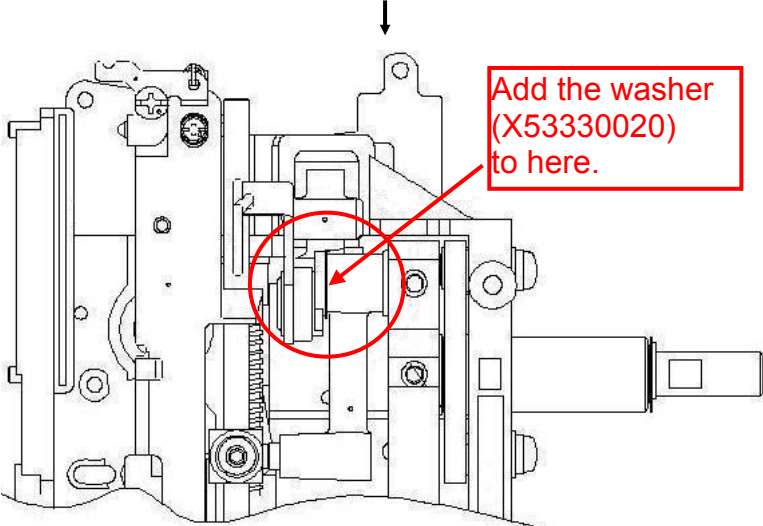


## THREAD CUTTER MODULE

No.	CODE	NAME	REMARKS
1	XC2576021	THREAD CUTTER FRAME ASSY	
2	XC2579020	SPACER	
3	X80321021	NT LOWER THREAD CUTTER	060143
4	<del>XC2596021</del>	PRESSER PLATE	DEL 050061
5	<del>XD0118001</del>	PILE 4 X 4	DEL 050061
6	060300516	SCREW BIND M3 X 5	1000010059
7	XC2598120	SPRING PLATE	040150
8	XC2587020	RUBBER	060143
9	048030346	RETAINING RING E3	1000001452
10	XC2583121	THREAD HOOK ASSY	050013
11	137713020	POLYESTER SLIDER	060143
12	X56731020	WASHER	060143
13	048040346	RETAINING RING E4	1000001452
14	XC2581221	THREAD CUTTER LEVER	060151
15	XC2582020	THREAD CUTTER LEVER GEAR	
16	0A4300605	SCREW PAN (S/P WASHER) M3 X 6	
17	XC2588221	MOTOR HOLDER ASSY	1000003541
18	XC2592020	IDLE GEAR A	
19	XC2593020	IDLE GEAR B	
20	X56323021	SPRING	
21	048020346	RETAINING RING E2	1000001452
22	XC2331121	MOTOR PULSE:C SMJ35-4840-B	
23	060300416	SCREW BIND M3 X 4	
24	XC2594121	COLLAR	1000010397
25	060402016	SCREW BIND M4 X 20	
26	X53169020	BAND	060143
27	137713020	POLYESTER SLIDER	060143
28	<del>XZ0147020</del>	DUST COVER	DEL 040151
29	XC8407020	WAVE-SHAPE SPRING WASHER	060143
30	XE4994001	PRESSER PLATE ASSY	1000008247
31	XC5439221	THREAD CUTTER SUPPLY ASSY (OTHER)	060200
	XC5439222	THREAD CUTTER SUPPLY ASSY (U.S.A & CANADA)	060200



## Service Information

	MODEL	Contents for Change	PCI No.
1	NX200,NX200LE,NX200QE,BLDC,M412,NX400,NX400LE,NX400Q,S62,BLQC,M414,NX600	<p>Changed the shape for the measures of the problem that the needle thread is heavy.</p> <p style="text-align: center;">↓</p> <p>Click here for more information.</p>	HsPn050263
2	NV200,NV200Q,NV400,NV400SE,NV600,NX250,NX450,NX450Q,NX600,NX600PACESETTER,NX600INNOV-IS,NX650,NX650Q,NX200,NX200LE,NX200QE,NX200PACESETTER,NX200INNOV-IS,NX400,NX400LE,NX400Q,NX400PACESETTER,NX400INNOV-IS,BLQC,BLCC2,BLQC2,BLDC2,BLCC,BLDC,PC210,PC420,M412,S62,M414	<p>Changed the kind of the screw to widen a margin of the quantity of the adjustment of the base plate.</p> <p>Object Part : XA4687021 ADJUSTING SCREW ASSY (before a change)</p> <p style="text-align: center;">↓</p> <p>Please order the following part from the next time. Object Part : XE1973001 ADJUSTING SCREW ASSY (after a change)</p>	HsPn060254
3	NV200,NV200Q,NV400,NV400SE,NV600,NX250,NX450,NX450Q,NX600,NX600PACESETTER,NX600INNOV-IS,NX650,NX650Q,NX200,NX200LE,NX200QE,NX200PACESETTER,NX200INNOV-IS,NX400,NX400LE,NX400Q,NX400PACESETTER,NX400INNOV-IS,BLQC,BLCC2,BLQC2,BLDC2,BLCC,BLDC,PC210,PC420,M412,S62,M414	<p>Changed the shape to stabilize the operation of thread catching spring.</p> <p style="text-align: center;">↓</p> <p>Please order the following part from the next time. XC2648121 THREAD CATCHING SPRING CASE</p>	HsPn070246
4	NV200,NV200Q,NV400,NV400SE,NV600,NX250,NX450,NX450Q,NX600,NX600PACESETTER,NX600INNOV-IS,NX650,NX650Q,NX200,NX200LE,NX200QE,NX200PACESETTER,NX200INNOV-IS,NX400,NX400LE,NX400Q,NX400PACESETTER,NX400INNOV-IS,BLQC,BLCC2,BLQC2,BLDC2,BLCC,BLDC,PC210,PC420,M412,S62,M414	<p>Add the washer (X53330020) between the needle bar crank and the needle bar crank rod to widen a margin for the seizing.</p> <p style="text-align: center;">↓</p> 	HsPn070290

**Detailed Contents for Change**

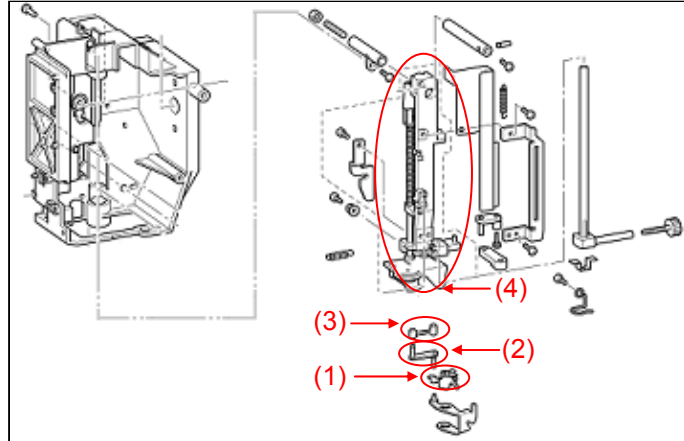
1

**Object Model :**

Group(1) : NX200,NX200LE,NX200QE,BLDC,M412,NX400,NX400LE,NX400Q,S62  
 Group(2) : BLQC,M414,NX600

**Object Part**

- (1)Threader hook ASSY
- (2)Link A ASSY
- (3)Link B
- (4)Needle bar supporter ASSY



**For a part order**

When replace and fix the object part, cross-check the serial number of following list of old part/new part after having confirmed the following serial number. And please order the part.

**In addition, when replace the needle bar supporter ASSY, order the threader hook ASSY, the link A ASSY and the Link B at the same time. And please replace and fix the part.**



**Check this number.**

**List of Old Part / New Part**

Name \ Serial Number	Group(1)		Group(2)	
	Old Part	New Part	Old Part	New Part
	~D6B113562	D6B113563~	~E6B111100	E6B111101~
<b>Threader hook ASSY</b>	<b>XC3032-051</b>	<b>XD1550-051</b>	<b>XC3032-051</b>	<b>XD1550-051</b>
<b>Link A ASSY</b>	<b>XA3565-021</b>	<b>XD1546-051</b>	<b>XA3565-021</b>	<b>XD1546-051</b>
<b>Link B</b>	<b>XA3569-021</b>	<b>XD1548-051</b>	<b>XA3569-021</b>	<b>XD1548-051</b>
<b>Needle bar supporter ASSY</b>	Respond by new part	<b>XC2402-251</b>	Respond by new part	<b>XC2402-251</b>

**\* When fix, please order the part in reference to the following example.**

(Example 1) When replace and fix the needle bar supporter ASSY of the serial number (D6B113562).

- XC2402-251 Needle bar supporter ASSY (New Part) → Old part is not available.
- XD1550-051 Threader hook ASSY (New Part) } Replace the new part at
- XD1546-051 Link A ASSY (New Part) } the same time.
- XD1548-051 Link B (New Part) }

(Example 2) When replace only the threader hook ASSY without replacing the needle bar supporter ASSY, order only the thread hook ASSY (XC3032-051) (Old part).

**brother**®

NX400 (885S62)  
NX400LE (882S62-50202/50502/50602/51704/52002/59902)  
NX400Q (885S62-20003/882S62-50503/50603/52003/59903)  
NX400 PACESETTER (882S62-20001/25101)  
NX400 INNOV-IS (885S62-20004/25104)  
PC420 (885S62-20005)  
PC420PRW (885S62-20006)  
S62 (882S62-51703)  
QS480 (885S62-55602)

08C03HF885S62  
06. 2003.  
09. 2009.