



Home Sewing Machine

PARTS REFERENCE LIST

MODEL: NX400/NX400LE/NX400Q

NX400 PACESETTER

NX400 INNOV-IS

PC420/PC420PRW/S62/QS480

CONFIDENTIAL

Copyright © 2010 Brother Industries, Ltd.
All rights reserved.

Published: Jun.,2003
Revised: Apr.,2014

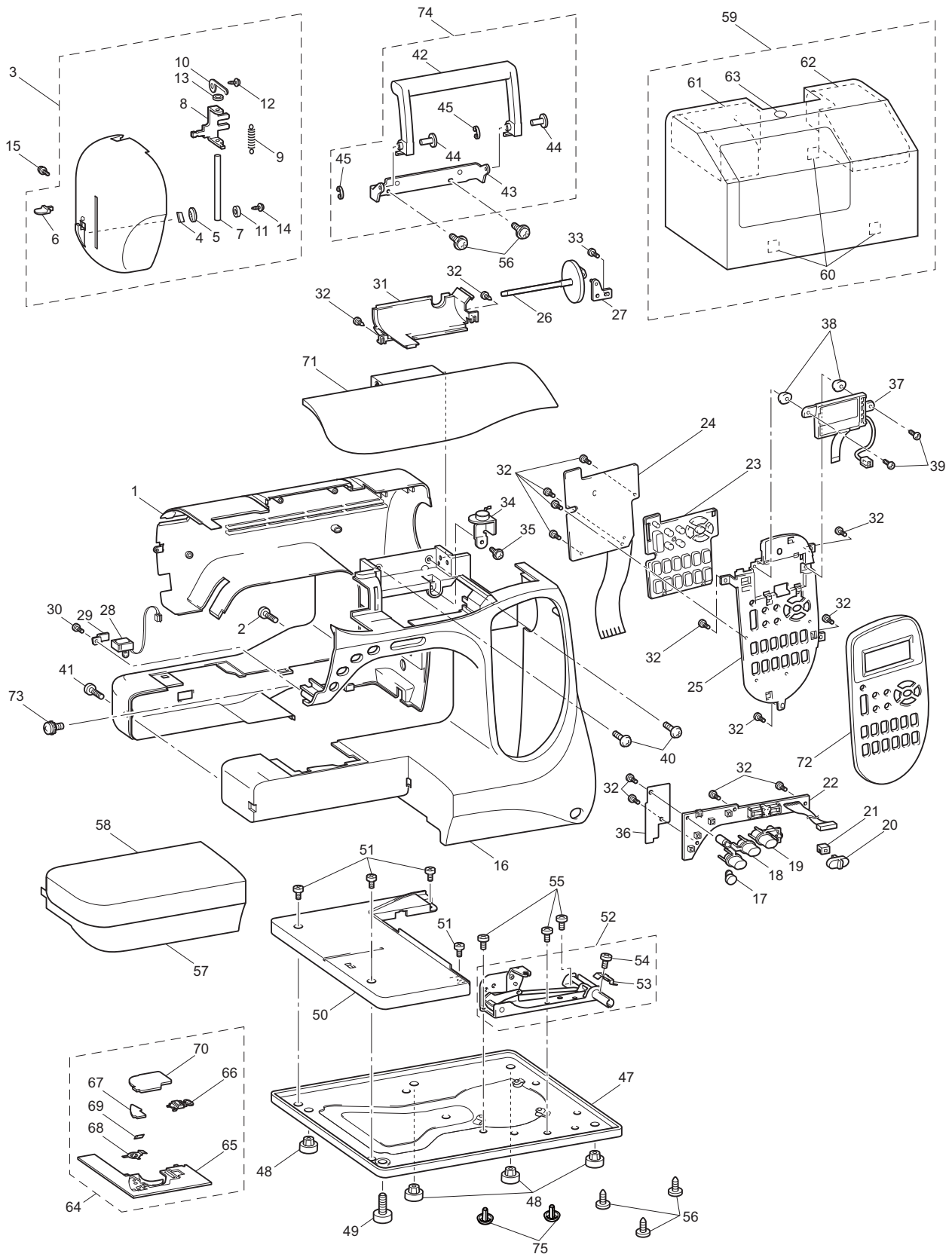
CONTENTS

(1) PRINCIPAL PARTS.....	2
(2) UPPER SHAFT MECHANISM.....	6
(3) NEEDLE BAR, PRESSER / FEED, ROTARY HOOK / THREAD CUTTING MECHANISM	8
(4) ROTARY HOOK DRIVE / BOBBIN WINDER MECHANISM	10
(5) THREAD GUIDE MECHANISM.....	12
(6) ELECTRONIC PARTS / MOTOR UNIT	14
(7) ATTACHMENTS / PRINTED MATTER / PACKING MATERIALS.....	16
NEEDLE-PRESSER MODULE.....	20
FEED MODULE	24
THREAD CUTTER MODULE	26

Note on parts:

We keep performance parts for this sewing machine for at least 8 years after this model is discontinued. Performance parts are the necessary parts to maintain the function of the sewing machine.

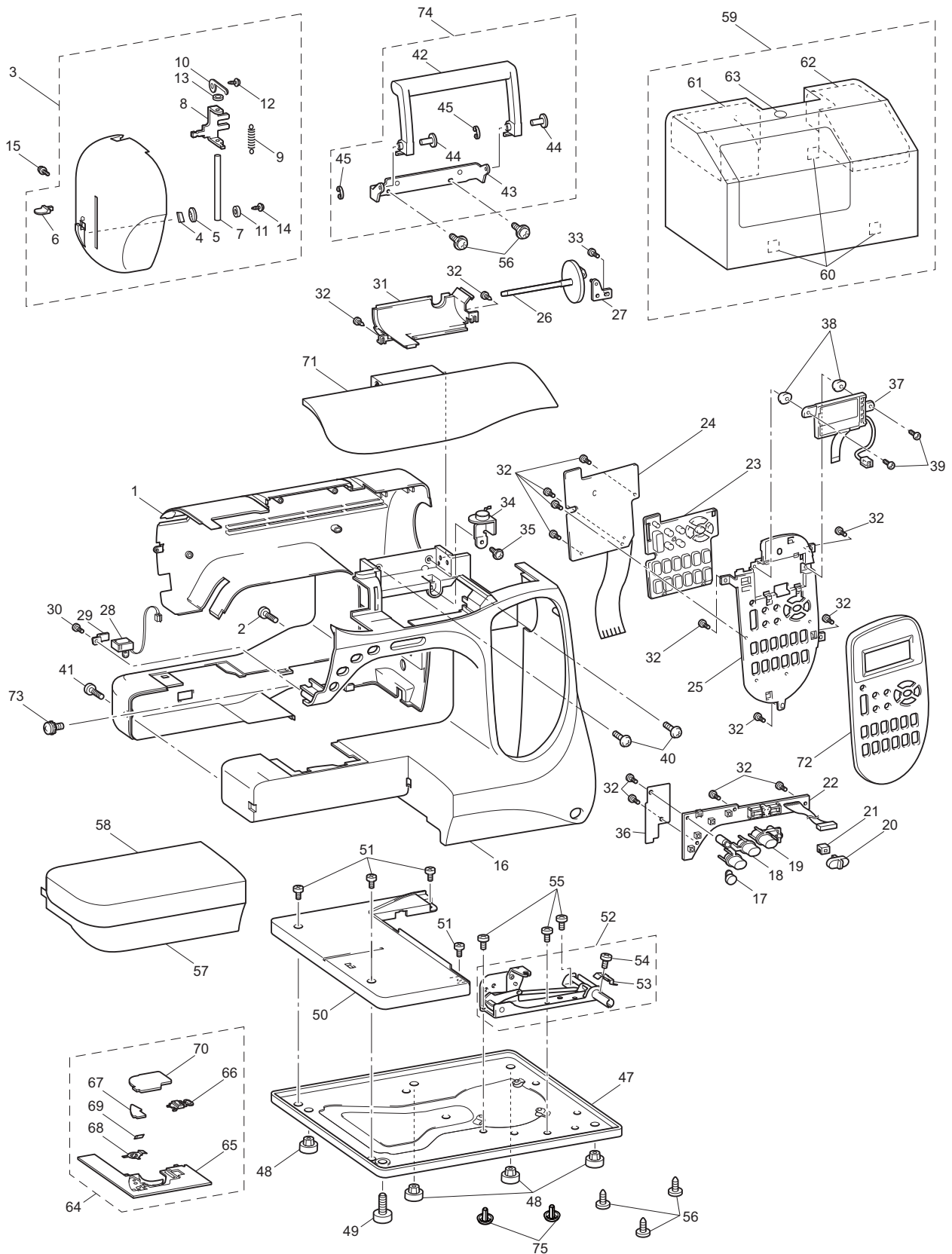
(1) PRINCIPAL PARTS



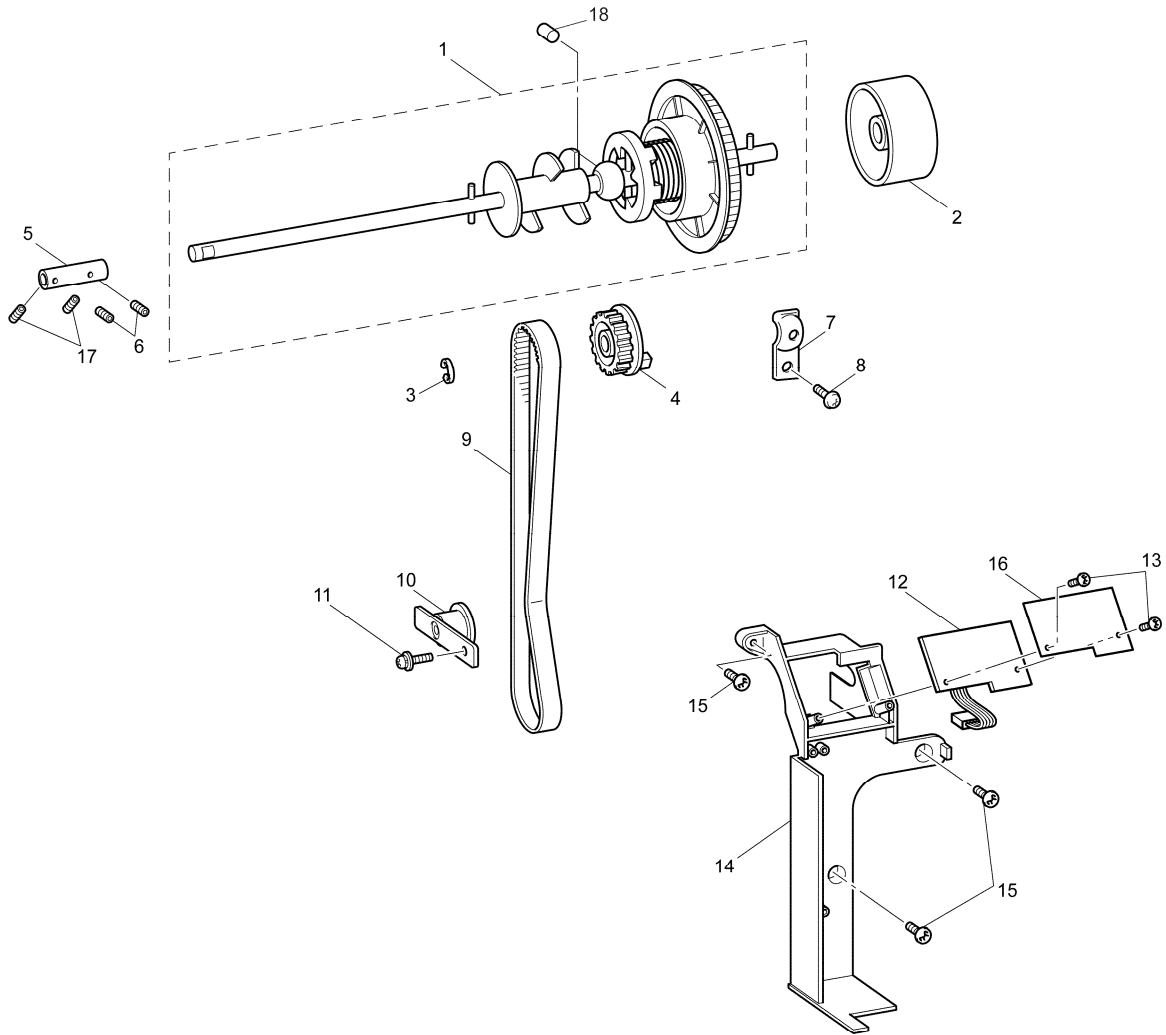
(1) PRINCIPAL PARTS

No.	CODE	NAME	REMARKS	No.	CODE	NAME	REMARKS
1	XC4617152	REAR COVER (OTHER)		44	XC2350051	HANDLE SHAFT	
	XC4617155	REAR COVER (S62)	ADD	45	048040346	RETAINING RING E4	1000001452
2	060400816	SCREW BIND M4X8		46	437713020	POLYESTER SLIDER	1000014067
3	XC2306252	FACE PLATE	1000031899	47	XC6818251	BASE PLATE	1000027025
4	X80321021	NT LOWER THREAD CUTTER	060160	48	XA1805021	BASE RUBBER A	
5	138384021	RETAINING RING, CS5		49	XE1973001	ADJUSTING SCREW ASSY	1000000187
6	XC2747051	NEEDLE THREAD LEVER KNOB		50	XC2354151	BASE PLATE COVER	
7	XA5825051	NEEDLE THREAD LEVER SHAFT		51	060300516	SCREW BIND M3X5	
8	XC3039151	NEEDLE THREAD LEVER	1000005948	52	XC4447251	KNEE LIFTER ASSEMBLY	1000033402
9	138260051	THREAD THROUGH LEVER SPRING		53	XA6215251	SPRING, PLATE	
10	XA6320050	SHAFT PRESSER PLATE		54	060260316	SCREW BIND M2.6X3	
11	XE5212001	WASHER, PLAIN	1000011565	55	062400612	SCREW PAN M4X6	1000025473
12	138433021	TAPTITE, PAN B M3X6		56	X57908021	TAPTITE, BIND S M4X10	060123
13	XC0508020	RUBBER WASHER		57	XC2358251	ACCESSORY TABLE	CHG
14	X59629021	TAPTITE, BIND B M3X10		58	XC2359052	ACCESSORY TABLE DOOR	
15	XC7568051	SCREW PAN (S/P WASHER) M4X14	1000000866	59	XC2360252	CASE ASSEMBLY	CHG
16	XC4441353	FRONT COVER		60	125440050	CASE FELT	
17	XC2312153	SS-BUTTON	1000030510	61	XC2702250	HEAD SUPPORT SF-L	CHG
18	XC2313051	REVERSE BUTTON		62	XC2703050	HEAD SUPPORT SF-R	
19	XC2314051	THREAD CUT BUTTON		63	XZ0161051	BLIND PLATE	
20	XC2315051	SV KEYTOP		64	XE1146201	NEEDLE PLATE B ASSY (OTHER)	1000018212
21	XC2316150	SV JOINT PLATE	050016		XE1146202	NEEDLE PLATE B ASSY (NX400 INNOV-IS, PC420, PC420PRW, NX400Q)	1000018212
22	XF0960101	SSVR PCB ASSY NEW F	1000034158	65	XC2365251	NEEDLE PLATE B (OTHER)	1000018212
23	XC4442052	RUBBER KEY F3			XC2365252	NEEDLE PLATE B (NX400 INNOV-IS, PC420, PC420PRW, NX400Q)	1000018212
24	XC4403251	PCB ASSY: OPERATION F3	1000013957	66	XC7371021	SLIDE BUTTON (OTHER)	060093
25	XC4444051	OPERATION PCB HOLDER			XC7371022	SLIDE BUTTON (NX400 INNOV-IS, PC420, PC420PRW, NX400Q)	060093
26	XA1786053	SPOOL PIN		67	XD1666051	CUTTER COVER (OTHER)	050250
27	XC2337051	SPOOL PIN HOLDER ASSY			XD1666052	CUTTER COVER (NX400 INNOV-IS, PC420, PC420PRW, NX400Q)	ADD
28	XE6360001	PCB UNIT: LED LAMP-FR	1000025724	68	XD1461051	NEEDLE PLATE COVER SPRING	050272
29	XC7081051	LAMP HOLDER SUPPORTER	CHG	69	X80321021	NT LOWER THREAD CUTTER	060160
30	X57372051	TAPTITE PAN P M2.6X8		70	XD1645021	NEEDLE PLATE COVER SUPPLY ASSY	1000001728
31	XC2346051	THREAD BOBBIN COVER		71	XC2304062	TOP COVER (NX400 PACESETTER)	
32	136681021	TAPTITE, BIND B M3X8	060123		XC2304061	TOP COVER (NX400)	
33	087311015	TAPTITE CUP B M3X10			XC2304056	TOP COVER (NX400Q: USA)	ADD
34	XC2620051	BOBBIN WINDER GUIDE ASSY			XC2304076	TOP COVER (NX400Q: OTHER)	ADD
35	XA8390021	SCREW	060123		XC2304075	TOP COVER (NX400LE)	ADD
36	XZ0143250	SSVR INSULATION SHEET	1000039590		XC2304052	TOP COVER (NX400 INNOV-IS)	ADD
37	XC4418051	SINGLE LIGHT GUIDE ASSY			XC2304077	TOP COVER (PC420, PC420PRW)	ADD
38	XE0559001	SPACER	060044		XC2304070	TOP COVER (S62)	ADD
39	085311216	TAPTITE BIND B M3X12	060044		XC2304079	TOP COVER (QS480)	1000010872
40	085411416	TAPTITE BIND B M4X14					
41	XA3337022	TAPTITE, CUP P M4X20	060123				
42	XC2348151	HANDLE	1000019381				
43	XC2349051	HANDLE HOLDER					

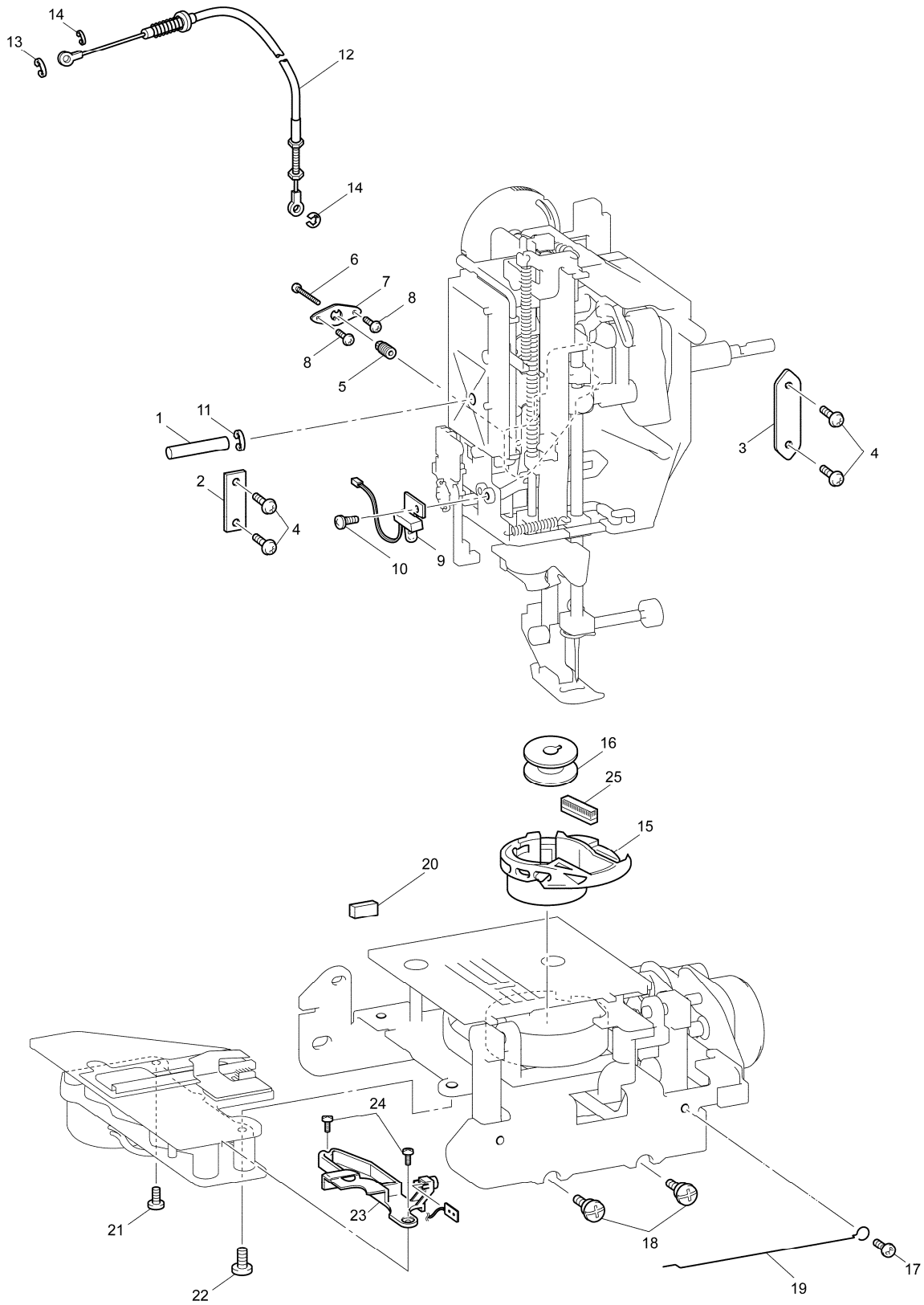
(1) PRINCIPAL PARTS



(2) UPPER SHAFT MECHANISM



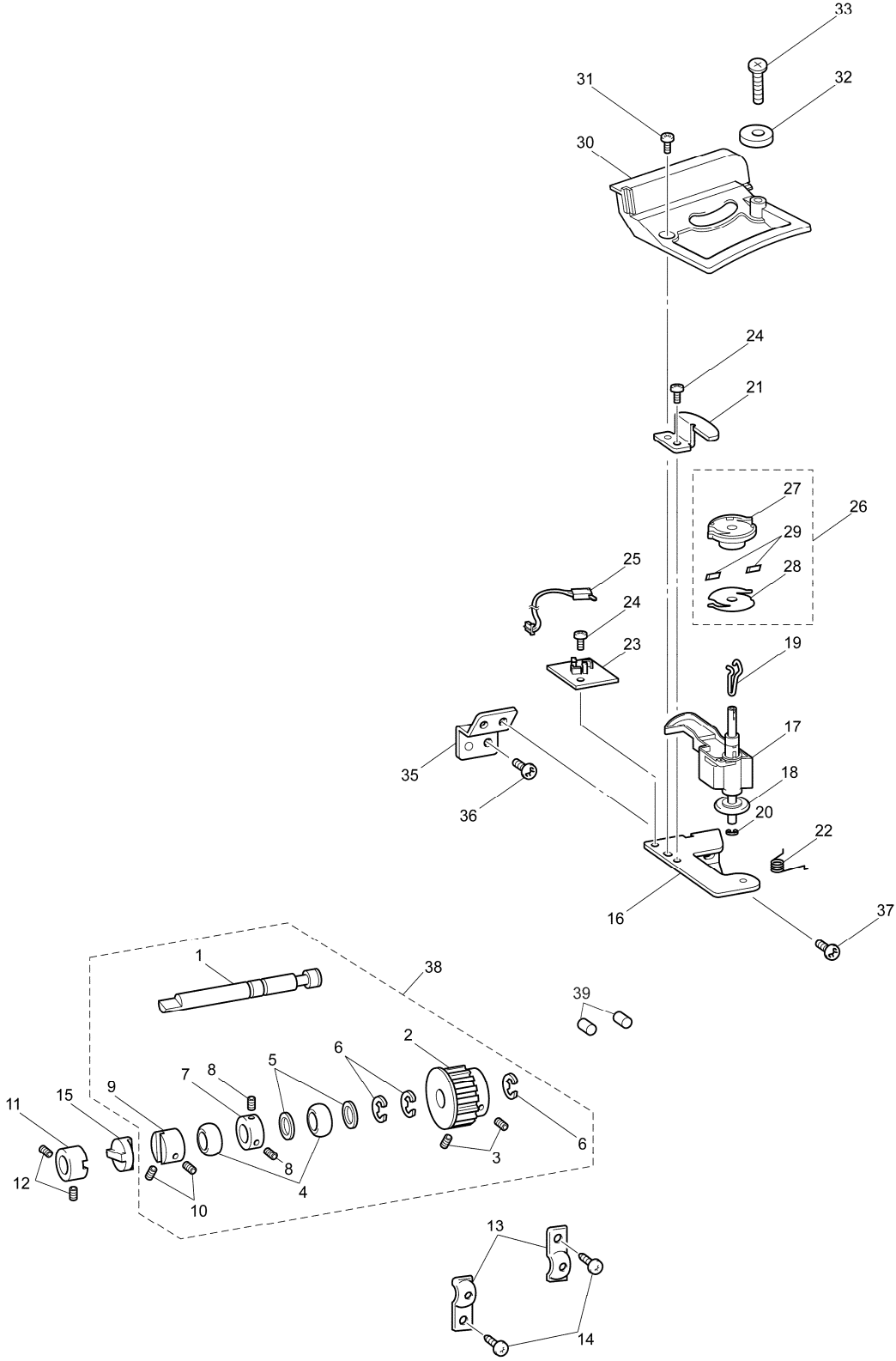
(3) NEEDLE BAR, PRESSER / FEED, ROTARY HOOK / THREAD CUTTING MECHANISM



(3) NEEDLE BAR, PRESSER / FEED, ROTARY HOOK / THREAD CUTTING MECHANISM

No.	CODE	NAME	REMARKS
NEEDLE BAR / PRESSER MECHANISM			
1	XC2503051	SHAFT	
2	XC2297051	PRESSER PLATE A	
3	XC2298051	PRESSER PLATE B	
4	X57908021	TAPTITE, BIND S M4X10	060094
5	XC2504050	ADJUSTING SCREW	
6	XZ0380051	SCREW, PAN (WASHER) M3X18	CHG
7	XC2505050	PLATE SPRING	
8	060400516	SCREW BIND M4X5	
9	XE6361001	PCB UNIT: LED LAMP-FL	1000025724
10	XZ0149021	TAPTITE, PAN B 4X12	060094
11	048050346	RETAINING RING E5	1000001452
12	XC4473001	WIRE ASSY	
13	048040346	RETAINING RING E4	1000001452
14	048030346	RETAINING RING E3	1000001452
FEED / ROTARY HOOK MECHANISM			
15	XC3153321	INNER ROTARY HOOK ASSY	1000017150
16	X52800120	BOBBIN	060148
17	060300416	SCREW BIND M3X4	
18	XC3096051	SCREW M4	
19	XZ0190051	LEADLINE GUIDE	CHG
20	XZ0160051	SHEET	
THREAD CUTTING MECHANISM			
21	060400516	SCREW BIND M4X5	
22	060300516	SCREW BIND M3X5	
23	XC9199021	SENSOR HOLDER	060143
24	0A4300605	SCREW PAN (S/P WASHER) M3X6	040151
25	XC3137000	PILE	1000019975

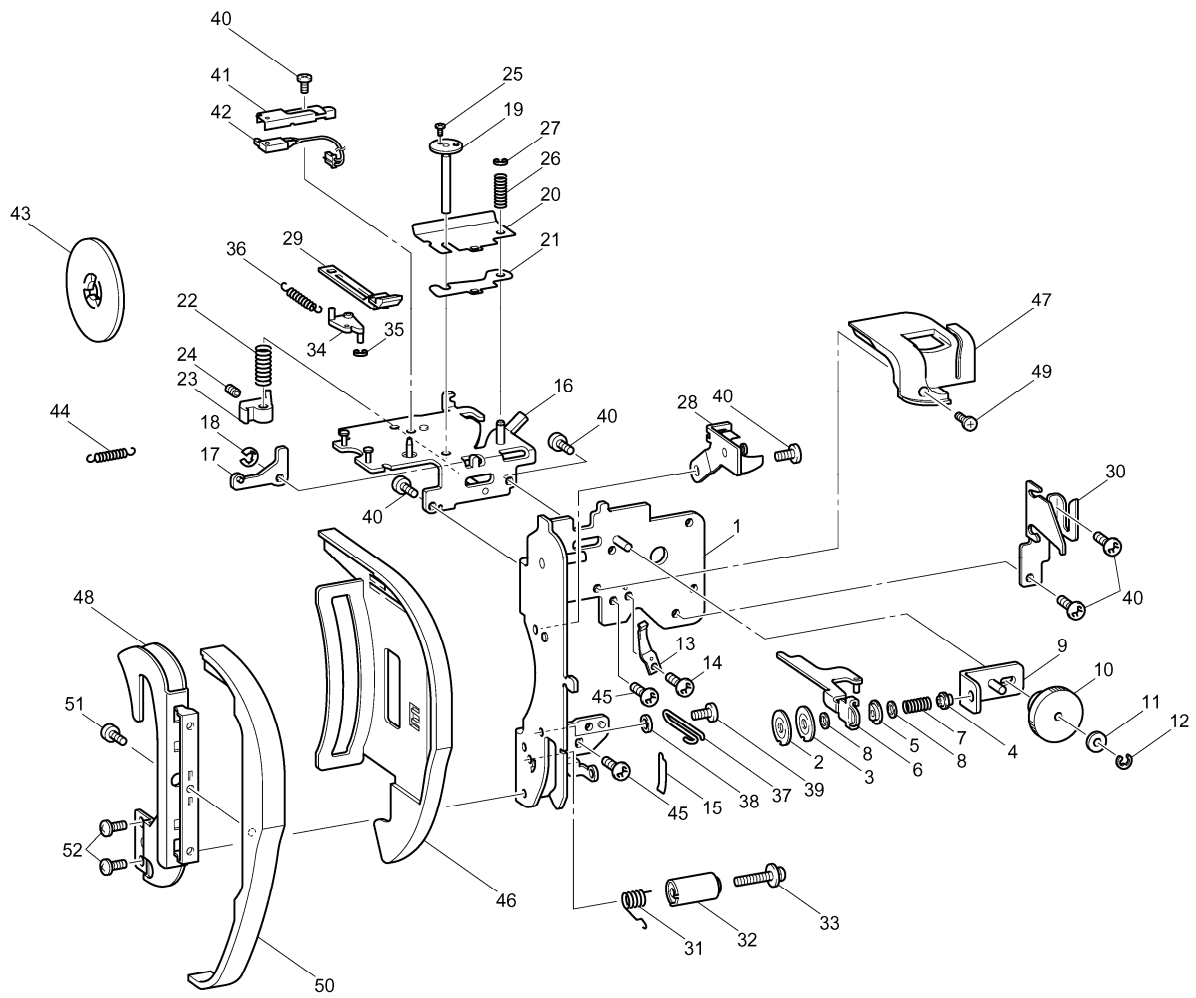
(4) ROTARY HOOK DRIVE / BOBBIN WINDER MECHANISM



(4) ROTARY HOOK DRIVE / BOBBIN WINDER MECHANISM

No.	CODE	NAME	REMARKS
ROTARY HOOK DRIVE MECHANISM			
1	XC2600050	LOWER SHAFT A	
2	XC4943021	TIMING PULLEY D	1000000444
3	014500532	SET SCREW SOCKET (CP) M5X5	1000000444
4	X52664020	LOWER SHAFT BUSHING	
5	X51383020	WASHER, THRUST	
6	048060346	RETAINING RING E6	1000001452
7	137768121	SET SCREW COLLAR	
8	014400432	SET SCREW SOCKET (CP) M4X4	
9	XC2602021	JOINT	060101
10	012500532	SET SCREW SOCKET (FT) M5X5	060206
11	XC2602021	JOINT	060101
12	012500532	SET SCREW SOCKET (FT) M5X5	060206
13	132421021	BUSHING PRESSER	060101
14	X57908021	TAPTITE, BIND S M4X10	060101
15	XC2603050	DISK	
BOBBIN WINDER MECHANISM			
16	XC2605051	BOBBIN WINDER ASSEMBLY HOLDER	
17	XC2606251	BW SHAFT HOLDER ASSEMBLY	050289
18	X55238021	RUBBER RING	
19	XZ5039001	BOBBIN WINDER SHAFT SPRING	1000007062
20	048050343	RETAINING RING E5	050058
21	XA2862021	BOBBIN WINDER SHAFT STOPPER	
22	XZ0070021	BOBBIN WINDER SPRING	
23	XC2614021	SW ADJUST PLATE	
24	060300616	SCREW BIND M3X6	
25	XC2612051	SW ASSY: BW-F	
26	XC4672051	BOBBIN BASE ASSY	
27	XC2616051	BOBBIN BASE	1000034908
28	XA5877021	BOBBIN THREAD CUTTER HOLDER	
29	X80321021	NT LOWER THREAD CUTTER	060160
30	XC2618151	BOBBIN WINDER COVER	1000016239
31	XA8390021	SCREW	
32	XC4517151	BOBBIN PRESSER	1000016239
33	XZ5031001	TAPTITE PAN P (S/P W) M3X12	1000016239
34	021300205	NUT-2 M3	1000016239
35	XC2615051	BW HOLDER SUPPORTER	
36	X57908021	TAPTITE, BIND S M4X10	060115
37	060400816	SCREW BIND M4X8	
38	XC2599021	LOWER SHAFT A ASSY	1000001116
39	XC3183051	FELT	1000016080

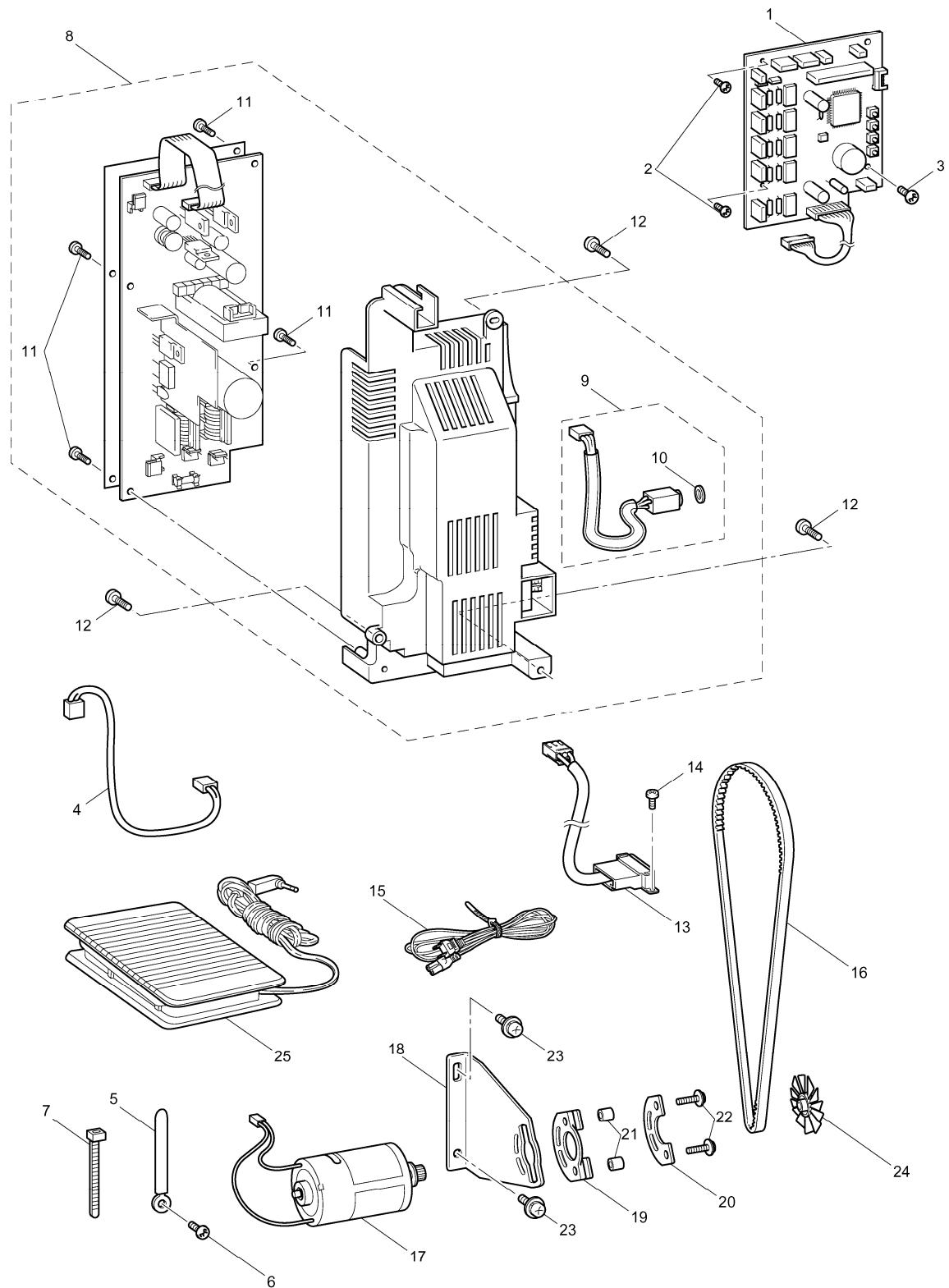
(5) THREAD GUIDE MECHANISM



(5) THREAD GUIDE MECHANISM

No.	CODE	NAME	REMARKS	No.	CODE	NAME	REMARKS
1	XC2624351	THREAD GUARD ASSEMBLY	050065	45	085411016	TAPTITE BIND B M4X10	1000024122
2	XA0083121	TENSION DISC A	1000006407	46	XC2652152	THREAD GUIDE COVER	
3	XC2626121	TENSION DISC B	1000006407	47	XC2655053	FRONT THREAD GUARD COVER	
4	XC3437051	TENSION ADJUSTING SCREW		48	XC4203251	THREAD GUIDE ASSY	
5	XA1388021	TENSION DISC WASHER	060149	49	060300416	SCREW BIND M3X4	
6	XC2627051	TENSION RELEASE PLATE ASSY		50	XC2659152	THREAD GUIDE COVER	1000031868
7	XA9900051	THREAD TENSIONS PRING		51	138433021	TAPTITE, PAN B M3X6	060149
8	XD0573021	WASHER	060149	52	XC7564021	SCREW, PAN (S/P WASHER) M3X6	
9	XC2629051	TENSION PLATE ASSY F2					
10	XC2630054	THREAD TENSION DIAL					
11	137999020	POLYESTER SLIDER	060149				
12	048030346	RETAINING RING E3	1000001452				
13	XC2633051	SPRING PLATE					
14	060300416	SCREW BIND M3X4					
15	XA9935050	SPRING TAPE					
16	XC2635151	TENSION RELEASE HOLDER ASSY	040224				
17	XA9571051	TENSION RELEASER LINK					
18	048030346	RETAINING RING E3	1000001452				
19	XC2638151	TENSION PRESSURE ASSY	050279				
20	XA9575051	TENSION PLATE					
21	XA9576051	SPACER					
22	XA9577051	SPRING					
23	XC2640051	TENSION RELEASE CAM					
24	012300432	SET SCREW SOCKET (FT) M3X4					
25	X57363051	POWER LOCK 2X3					
26	X57605051	SPRING					
27	048020346	RETAINING RING E2	1000001452				
28	XC2644051	PLATE ASSEMBLY					
29	XC2647051	THREAD GUIDE SHUTTER					
30	XC2749051	THREAD GUIDE					
31	XC6957121	THREAD TAKE UP SPRING	1000005353				
32	XC2648121	THREAD CATCHING SPRING CASE	1000003151				
33	0A4301806	SCREW, PAN (S/P WASHE) M3X18					
34	XC2649150	THREAD GUIDE SHUTTER LINK	1000025968				
35	048030346	RETAINING RING E3	1000001452				
36	XC2650151	SPRING	1000022132				
37	XC2651050	THREAD GUIDE WIRE					
38	XA9996051	WASHER, PLAIN					
39	XC7564021	SCREW, PAN (S/P WASHER) M3X6	060149				
40	060300416	SCREW BIND M3X4					
41	XC2641051	PRESSER SWITCH HOLDER					
42	XC2642051	SW ASSY: PF-F					
43	XE1372001	SPOOL PRESSER C	060144				
44	XA9787051	SPRING					

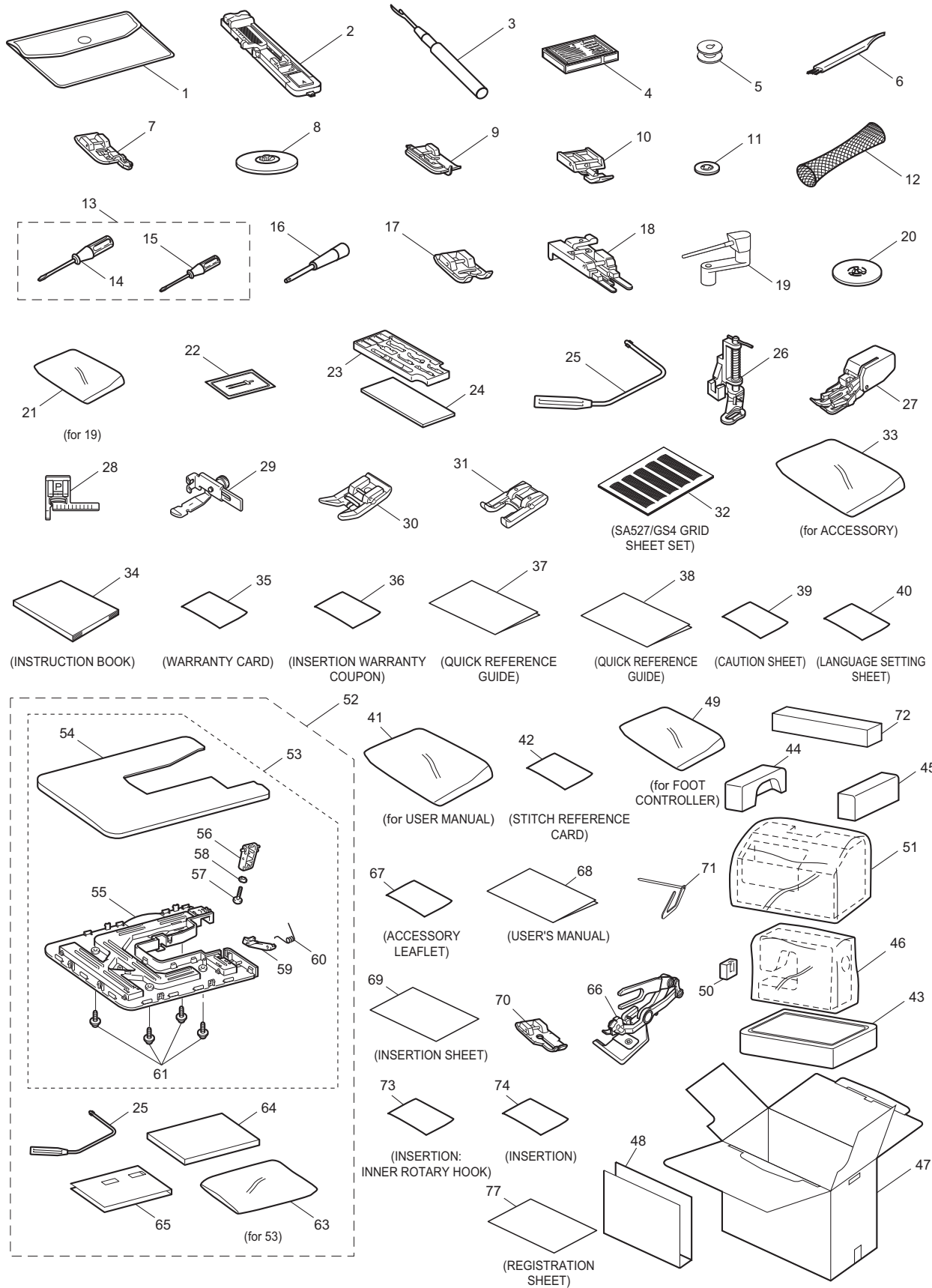
(6) ELECTRONIC PARTS / MOTOR UNIT



(6) ELECTRONIC PARTS / MOTOR UNIT

No.	CODE	NAME	REMARKS
ELECTRONIC PARTS			
1	XC4388251	PCB ASSY: MAIN F1D-B	CHG
2	136681021	TAPTITE, BIND B M3X8	060119
3	060400816	SCREW BIND M4X8	
4	XC2672051	LEAD ASSY: BH CABLE-F	
5	XA0286051	WIRE CLIP	1000042697
6	X57908021	TAPTITE, BIND S M4X10	060119
7	X53169020	BAND	060119
8	XD0471251	POWER SUPPLY UNIT F120 (U.S.A., CANADA)	1000000807
	XD1235151	POWER SUPPLY UNIT F230 (OTHER)	1000018045
	XC2675352	POWER SUPPLY UNIT, F (KOREA)	1000018045
9	XC4488051	FC JACK-F SUPPLY ASSY	CHG
10	XE7829001	NUT N	1000026582
11	136681051	TAPTITE, BIND B M3X8	
12	XC7568051	SCREW PAN (S/P WASHER) M4X14	1000000866
13	XC4412051	INLET ASSY: F1D-US (U.S.A., CAN, TWN)	
	XC4417051	INLET ASSY: F1D-EU (OTHER)	
14	060400616	SCREW, BIND M4X6	
15	XC6052021	POWER SUPPLY CORD: UL CSA-LF (U.S.A., CANADA)	060116
	XA0070121	POWER SUPPLY CORD (OTHER)	060116
	X59354221	POWER SUPPLY CORD BS (U.K., HKG)	1000035202
	XC9548021	POWER SUPPLY CORD : SAA-LF (AUS)	060116
	XE2016001	POWER SUPPLY CORD (KOREA)	1000000491
	XD0225021	POWER SUPPLY CORD : TWN (TWN)	1000008621
MOTOR UNIT			
16	XC2685051	T BELT494-2GT-6	
17	XC2687051	ASSY: MAIN MOTOR-F	
18	XC2690051	MOTOR HOLDER	
19	XA9649050	FENDER RUBBER	
20	XA9650051	MOTOR SPACER PRESSER	
21	XC3027051	SPACER 4X6	
22	XC7568051	SCREW, PAN (S/P WASHER) M4X14	040227
23	XA8474021	UPSET 4X12 DB	060117
24	XA9652150	MOTOR FAN	
25	XD0496221	FOOT CONTROLLER: FC-313-LF-EU (ITA)	1000014451
	XC6651321	FOOT CONTROLLER: FC-313-81-LF (OTHER)	1000025416

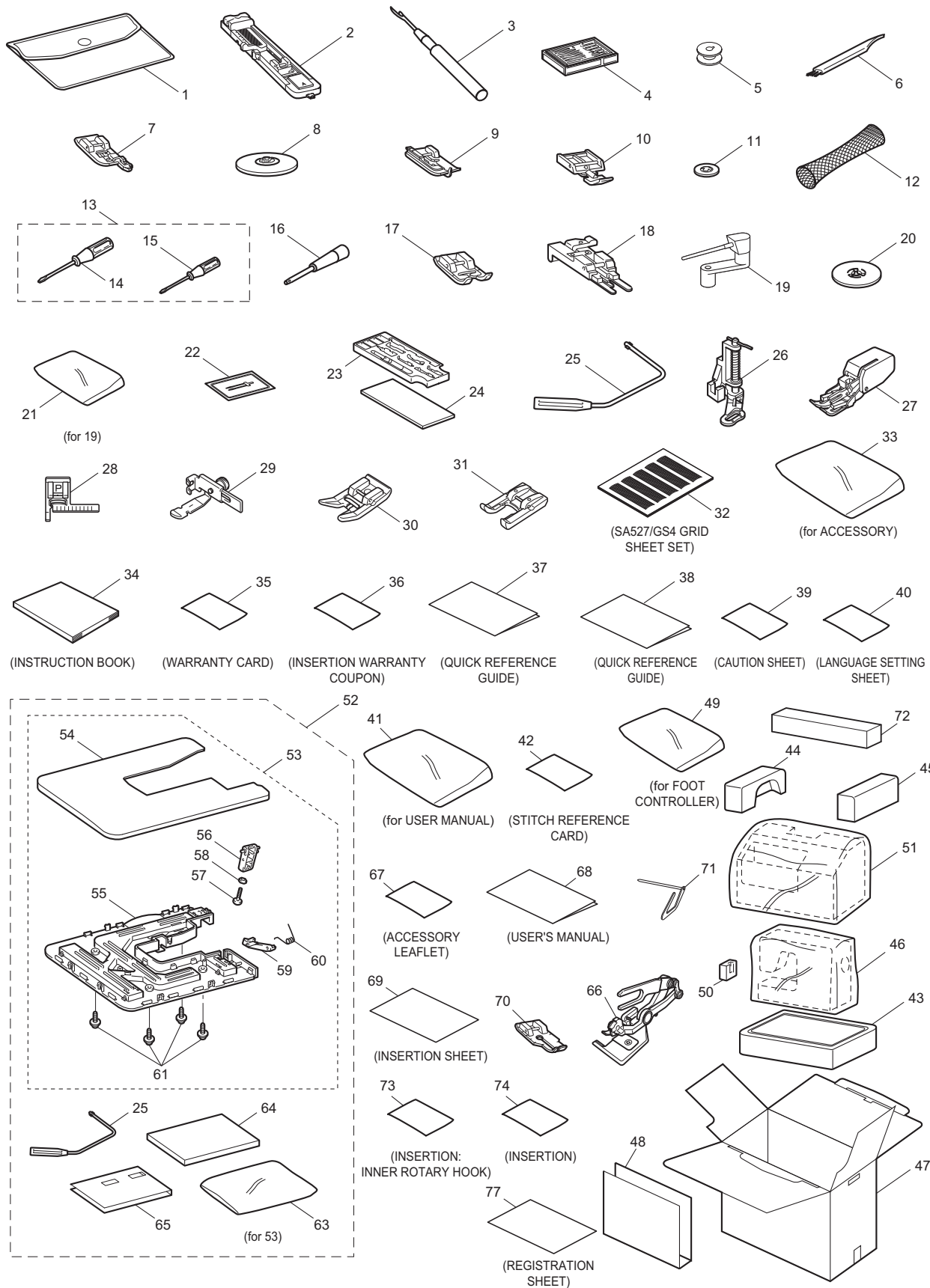
(7) ATTACHMENTS / PRINTED MATTER / PACKING MATERIALS



(7) ATTACHMENTS / PRINTED MATTER / PACKING MATERIALS

No.	CODE	NAME	REMARKS	No.	CODE	NAME	REMARKS
ATTACHMENTS							
1	XC4487021	ACCESSORY BAG	060100		XC7202121	INSTRUCTION BOOK (Russian)	060051
2	XC2691023	BH PRESSER FOOT ASSY	060100	35	XF2705101	PREMIUM WARRANTY FOR US (USA)	1000034011
3	XZ5082001	SEAM RIPPER	1000020345		XE2010001	WARRANTY CARD BROTHER CANADA	1000001038
4	X58358021	Z NEEDLE ASSY	060100	36	181401137	INSERTION WARRANTY COUPON (U.K.)	
5	X52800120	BOBBIN	060100	37	XC4546151	QUICK REFERENCE GUIDE (OTHER)	
6	X59476021	CLEANING BRUSH	060100		XE6144001	QUICK REFERENCE GUIDE (NX400: HKG)	1000012710
7	XC3098031	OVERCASTING STITCH FOOT ASSY	1000040710		XE6145001	QUICK REFERENCE GUIDE (NX400: HKG)	1000012710
8	130012024	SPOOL PRESSER A		38	XC4589051	QUICK REFERENCE GUIDE (Pattern selecting)	
9	XE2650001	BLIND STITCH FOOT ASSY	1000009241	39	XC4545051	CAUTION SHEET	
10	X59370021	ZIPPER FOOT	060100	40	XC4544051	LANGUAGE SETTING SHEET	
11	130013124	SPOOL PRESSER B		41	XA0188020	BAG 260X375HC	1000014034
12	XA5523020	NET	060100	42	XC9158151	STITCH REFERENCE CARD	1000012026
13	XE0243001	SCREW DRIVER ASSY	060020	PACKING MATERIALS			
14	XC8349021	SCREW DRIVER	1000013436	43	XC2704350	BODY SUPPORT SF	1000031457
15	X55468021	SCREW DRIVER S	1000013436	44	XC2705250	CASE SUPPORT	1000031457
16	XZ5051001	PUNCH	1000016202	45	XC2706250	CASE SUPPORT SF-R	1000031457
17	XD0810031	TRANSPARENCY PRESSER FOOT	060182	46	X60439121	BAG 630X630T	1000013217
18	XE2643001	BUTTONING FOOT ASSY	1000006460	47	XC4623051	CARTON (NX400 PACESETTER)	
19	XC4654151	EXTRA SPOOL PIN ASSY	1000028084		XE0654001	CARTON (NX400)	060090
20	XE1372001	SPOOL PRESSER C	060144		XE0668001	CARTON ASSY (NX400Q: U.S.A.)	
21	X57367021	BAG, 135X150	060100		XC6271055	CARTON (NX400Q: OTHER)	ADD
22	X59296121	TWIN NEEDLE (1PC)	060100		XC4623059	CARTON (NX400LE)	ADD
23	XC4489051	ACCESSORY TRAY			XE0660001	CARTON (NX400 INNOV-IS)	ADD
24	XC4490050	SPONGE			XE0670001	CARTON ASSY (TAIWAN)	060077
25	XA6941052	KNEE LIFTER LEVER ASSY (Except NX400Q, QS480, NX400: TWN)			XE1137101	CARTON (RUS)	100005999
26	XE8786101	QUILTING FOOT	1000024883		XE1276001	CARTON (PC420)	ADD
27	XE1679201	WALKING FOOT ASSEMBLY	1000000446		XE5024101	COLOR CARTON MODEL: PC-420PRW (PC420PRW)	1000025256
28	X51804001	STITCH FOOT			XC4623058	CARTON (S62)	ADD
29	103561002	ZIPPER FOOT			XE5785001	CARTON (QS480)	1000010872
30	XA4783001	NO STICK FOOT H		48	XC4631051	PAD (EXcept NX400Q, QS480, NX400: TWN)	
31	XE1105101	APPLIQUE FOOT ASSY	1000002053	49	XC4515020	BAG, BUBBLE PACK 250X250 (RUS)	1000025416
32	XC4549020	SA527/GS4 GRID SHEET SET		50	XC4762350	THREADER SUPPORT SF	1000031457
33	XA0188020	BAG 260X375HC	1000012991	51	XE3838001	BAG 750X600H	1000005912
PRINTED MATTER				52	XE1144001	TABLE LEVER ASSY (NX400Q, QS480, NX400: TWN)	1000010872
34	XE1139001	INSTRUCTION BOOK ENG (English)	060099	53	XE1143101	WIDE TABLE ASSY (NX400Q, QS480, NX400: TWN)	1000010872
	XC4582021	INSTRUCTION BOOK (French)	060051	54	XC4492051	TABLE UPPER (NX400Q, QS480, NX400: TWN)	1000010872
	XC4583051	INSTRUCTION BOOK (German)		55	XC4493221	TABLE LOWER (NX400Q, QS480, NX400: TWN)	1000032286
	XC4584051	INSTRUCTION BOOK (Dutch)					
	XE5110001	INSTRUCTION BOOK SPA (Spanish)					
	XC4586051	INSTRUCTION BOOK (Italian)					
	XC7372051	INSTRUCTION BOOK, (Danish)	ADD				
	XC7373051	INSTRUCTION BOOK (Swedish)	ADD				

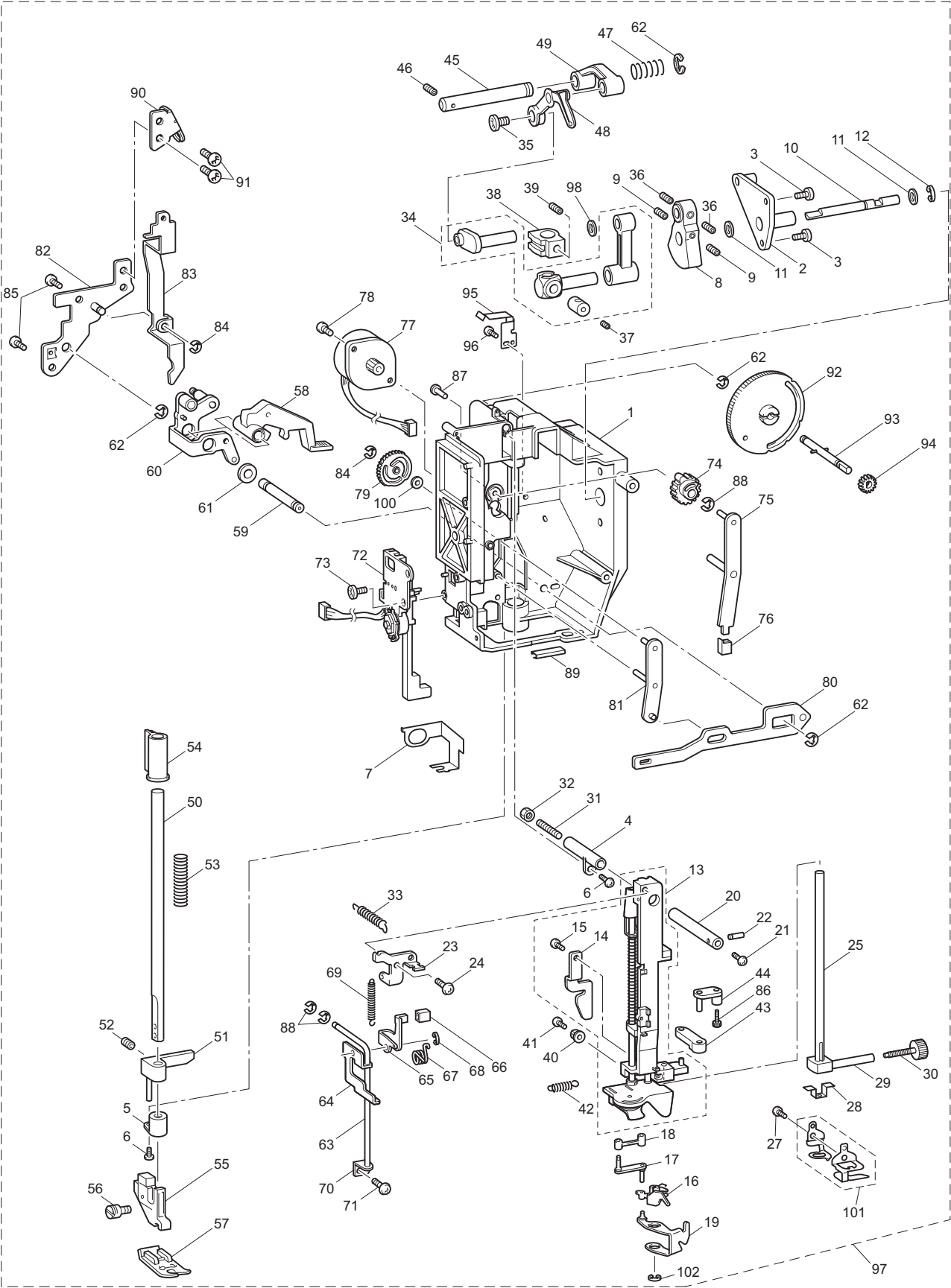
(7) ATTACHMENTS / PRINTED MATTER / PACKING MATERIALS



(7) ATTACHMENTS / PRINTED MATTER / PACKING MATERIALS

No.	CODE	NAME	REMARKS
56	XC4495051	TABLE FOOT (NX400Q, QS480, NX400: TWN)	1000010872
57	XD1223021	ADJUSTING FOOT (NX400Q, QS480, NX400: TWN)	1000010872
58	021400206	NUT 2 M4 (NX400Q, QS480, NX400: TWN)	1000010872
59	XC4497151	LOCK LEVER (NX400Q, QS480, NX400: TWN)	1000010872
60	XE3127001	LOCK SPRING (NX400Q, QS480, NX400: TWN)	1000010872
61	087411416	TAPTITE CUP B M4X14 (NX400Q, QS480, NX400: TWN)	1000010872
62	XA6069050	CUSHION RUBBER (NX400Q, QS480, NX400: TWN)	1000032286
63	X61231021	BAG 400X500H (NX400Q, QS480, NX400: TWN)	1000010872
64	XC4509051	TABLE CARTON (NX400Q, QS480, NX400: TWN)	1000010872
65	XC4512050	PAD (NX400Q, QS480, NX400: TWN)	1000010872
66	XC3198101	SIDE CUTTER ASSY (TAIWAN)	1000009333
67	XF7976001	ACCESSORY LEAFLET 6 PC	1000040301
68	XC2067121	USER'S MANUAL (NX400Q)	060051
69	XE5787001	INSERTION SHEET (QS480)	1000010872
70	XA3805021	1/4'QUILTING FOOT (NX400Q, NX400: TWN)	060104
71	X59819021	QUILTER (NX400Q, NX400: TWN)	060100
72	XC4805250	TABLE SUPPORT SF (NX400Q, QS480, NX400: TWN)	1000031457
73	XE8541001	INSERTION (for INNER ROTARY HOOK & INNER ROTARY HOOK BRACKET: EXCEPT: USA, CAN)	1000018357
	XE8340001	INSERTION (for INNER ROTARY HOOK & INNER ROTARY HOOK BRACKET: USA, CAN)	1000018358
74	XE8862201	INSERTION CE (TUR/SGP/UAE, AUS)	1000021700
	XE9897001	UKRAINIAN ROHS INSERTION (RUS)	1000024008
	XF3999101	INSERTION FOR AC POWER	1000032938
75	XE9932004	GOST STICKER 29X27 (RUS)	1000041867
76	XZ5097004	GOST STICKER 36X36 (RUS)	1000041867
77	XE9639001	REGISTRATION SHEET (USA)	1000032853
	XC6330051	FREEMOTION GRIP ASSY (QS480)	ADD

NEEDLE-PRESSER MODULE



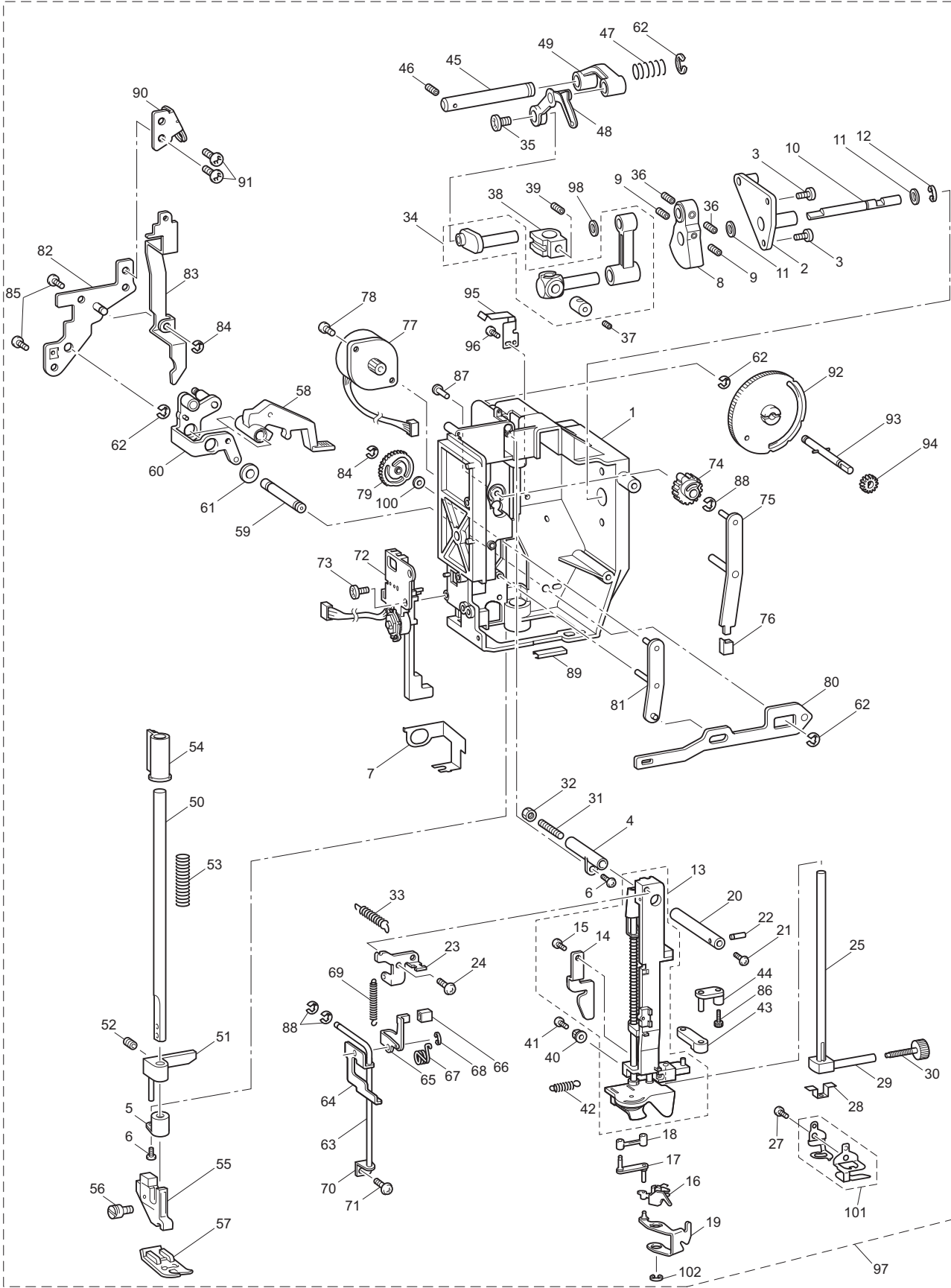
NEEDLE-PRESSER MODULE

No.	CODE	NAME	REMARKS	No.	CODE	NAME	REMARKS
1	XE0017101	UPPER UNIT HOLDER	1000008073	42	XC2748021	SPRING-Z	
2	XC2395221	SHAFT BUSHING ASSEMBLY	1000014050	43	XC2436021	NEEDLE HOLDER BLOCK	
3	0A5401405	SCREW PAN (S/P WASHER) M4X14	040227	44	XC2437021	SHAFT ASSY	
4	XC2398020	SHAFT BUSHING A		45	XC2440021	SHAFT	040142
5	XC2399021	PRESSER BAR BUSHING		46	014300532	SET SCREW SOCKET (CP) M3X5	
6	085310815	TAPTITE BIND B M3X8	CHG	47	XC2441021	SPRING	
7	XC5362020	PLATE SPRING	CHG	48	XF3584001	THREAD TAKE-UP LEVER ASSY	1000041837
8	XC2400021	THREAD TAKE-UP COUNTER WEIGHT		49	XC2443020	THREAD TAKE-UP LEVER LINK	
9	012500532	SET SCREW SOCKET (FT) M5X5		50	XC2444021	PRESSER BAR	
10	XC2401021	UNIT SHAFT		51	XC2445021	PRESSER BAR CLAMP ASSY	
11	132434020	WASHER		52	014501032	SET SCREW, SOCKET(CP)M5X10	060206
12	048060346	RETAINING RING E6	1000001452	53	XC4457051	SPRING	
13	XC2402451	NEEDLE BAR SUPPORTER ASSY *	1000032389	54	XC4458150	PRESSER SPRING SUPPORTER	1000032325
14	XC2418020	HOOK RELEASE PLATE		55	XE2555101	PRESSER FOOT HOLDER ASSY	1000022482
15	060260516	SCREW BIND M2.6X5		56	132730122	TIGHTENING SCREW 3.57	1000003761
16	XD1550351	THREADER HOOK ASSY *	1000028587	57	XZ5134001	Z FOOT	1000031626
17	XD1546051	LINK A ASSY *		58	XC2451021	PRESSER FOOT LIFTER	
18	XD1548151	LINK B *	1000009134	59	XC4459051	PRESSER LIFT SHAFT	
19	XC2415021	THREAD GUIDE ASSY		60	XC4460051	LIFTER ASSY	
20	XC2419021	SHAFT		61	XA1860120	WASHER	
21	000020416	SCREW BIND M2X4	1000016096	62	048040346	RETAINING RING E4	1000001452
22	XC2420020	SHAFT	040142	63	XC2453021	LEVER GUIDE SHAFT	040142
23	XC2421121	PLATE		64	XC2455021	LEVER A ASSY	
24	060300516	SCREW BIND M3X5		65	XC2458021	LEVER B	
25	XF2685001	NEEDLE BAR	1000034885	66	XC2459020	CAP	
26	XE0011101	NEEDLE BAR THREAD GUIDE Q	1000016793	67	XC2460021	TORSION SPRING	
27	X53053052	SCREW SM2.38		68	048030343	RETAINING RING E3	1000001452
28	XC2426020	NEEDLE THREAD PLATE		69	XC2461021	SPRING	
29	XC2427051	NEEDLE BLOCK		70	XC2462021	LEVER PRESSER PLATE	
30	XC2428121	NEEDLE CLAMP SCREW	1000010409	71	138433021	TAPTITE, PAN B M3X6	CHG
31	014401232	SET SCREW SOCKET (FT) M4X12		72	XC2463221	BH SWITCH ASSY	1000031601
32	X56851021	LOCK NUT		73	XZ0149021	TAPTITE, PAN B 4X12	
33	XC2429021	SPRING		74	XC2474020	Z ZIGZAG CAM	
34	XF1088001	NEEDLE BAR CRANK R SUPPLY ASSY	1000026452	75	XC2476021	Z ZIGZAG LEVER ASSY	
35	132051022	SCREW, FLAT SM3.57-40X7 L		76	XC2480020	Z LEVER CUP	
36	012500532	SET SCREW SOCKET (FT) M5X5		77	XF7722001	Z PULSE MOTOR SMJ35-4840-AP	1000040101
37	014400432	SET SCREW SOCKET (CP) M4X4		78	X59629021	TAPTITE, BIND B M3X10	CHG
38	XC2434021	NEEDLE THREAD BLOCK		79	XC2483020	T CAM	
39	012400432	SET SCREW SOCKET (FT) M4X4		80	XC2491121	THREAD RELEASER ASSY	1000013556
40	XC2435020	ZIGZAG ADJUSTING NUT		81	XC2494021	THREAD RELEASE LEVER ASSY	
41	018301032	BOLT SOCKET M3X10	060206	82	XC4465051	ADJUSTING PLATE ASSY	

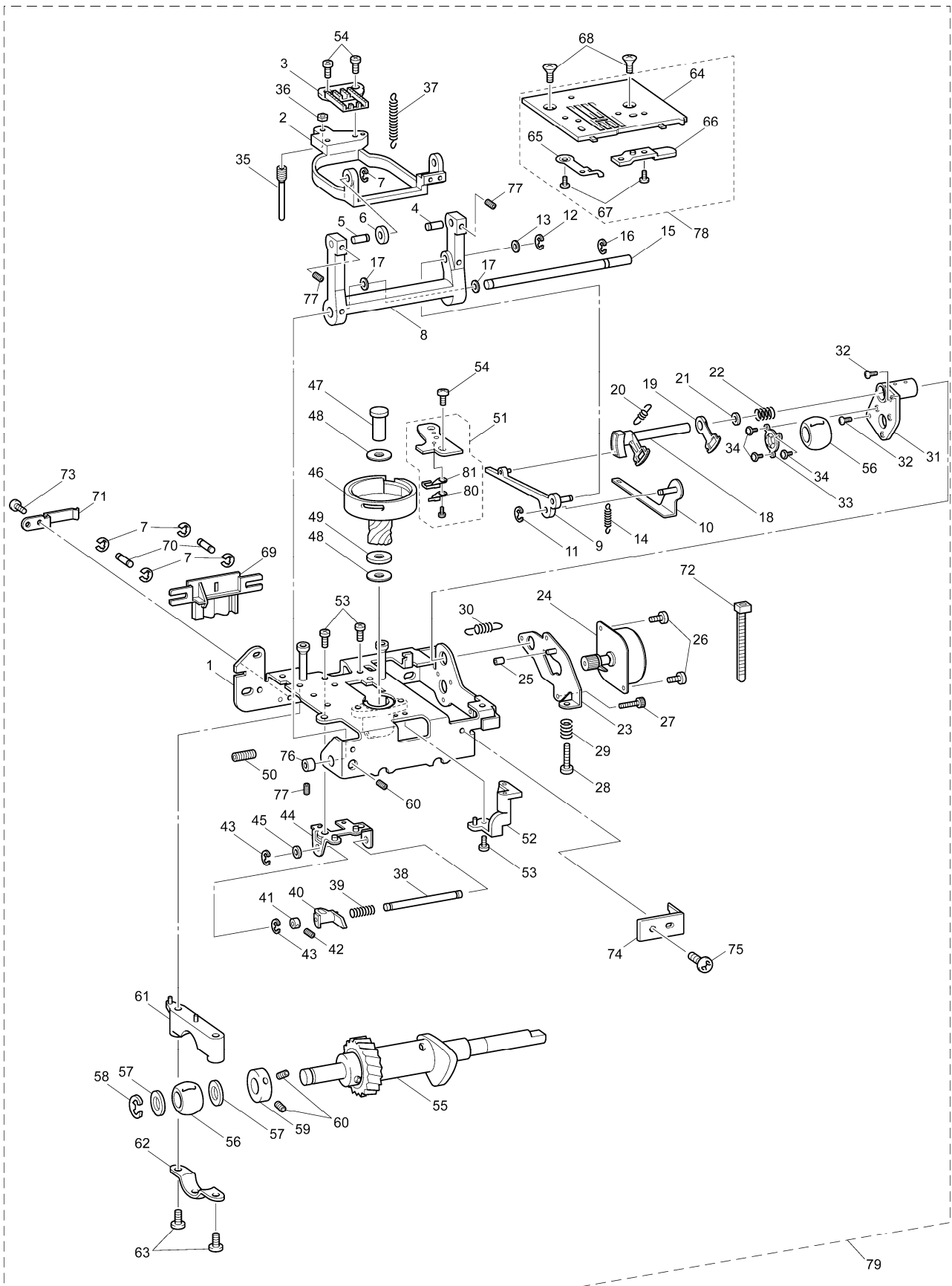
* As for the parts No.13, 16, 17, 18, they are incompatible with the old ones.

Please be sure to confirm Parts Change Info No.0000034403 when you order the parts.

NEEDLE-PRESSER MODULE



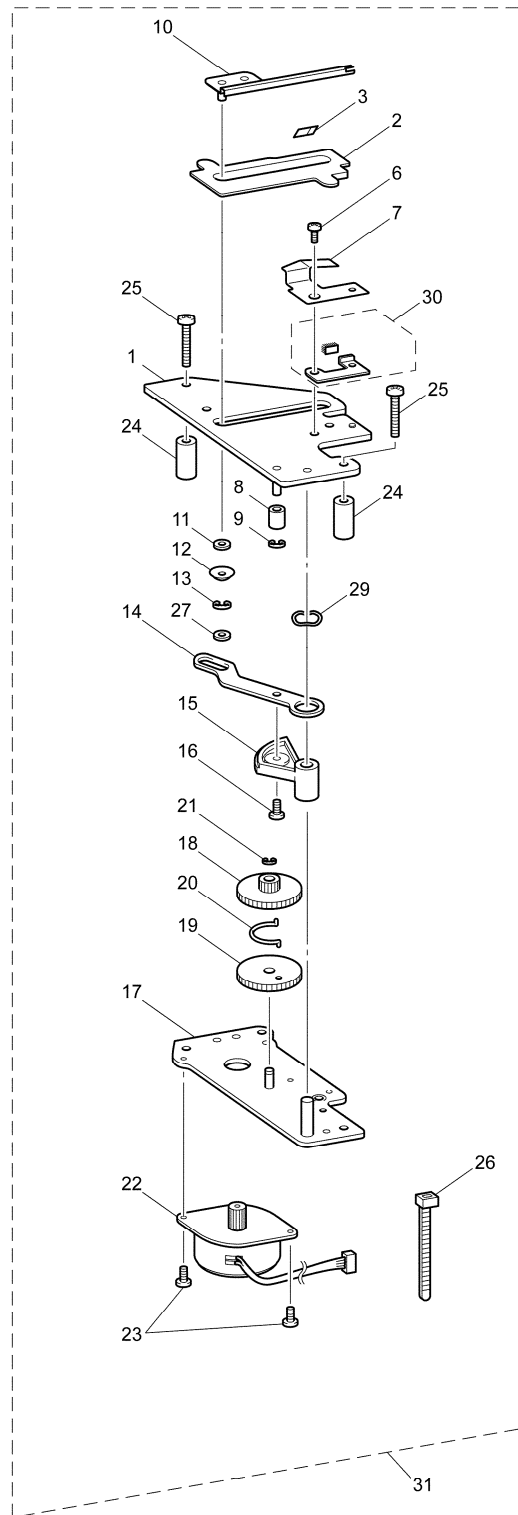
FEED MODULE



FEED MODULE

No.	CODE	NAME	REMARKS	No.	CODE	NAME	REMARKS
1	XC7638121	BASE PLATE	060148	45	137713020	POLYESTER SLIDER	060148
2	XC2510021	FEED BAR		46	XC2210021	OUTER ROTARY HOOK ASSY	1000023473
3	XC2511051	FEED DOG		47	XD1943021	OUTER ROTARY HOOK SHAFT	060148
4	XC2512021	FEED BAR SHAFT A	060148	48	137805022	SPACER	060148
5	XC2513021	FEED BAR SHAFT B	060148	49	137976021	WASHER 6	060148
6	XC2514021	FEED BAR SPACER		50	014400632	SET SCREW SOCKET (CP) M4X6	
7	048020346	RETAINING RING E2	1000001452	51	XC2555221	INNER ROTARY HOOK BRACKET ASSY	1000041311
8	XF6785001	FEED ARM A	1000036700	52	XC2559221	STOPPER PLATE BLOCK ASSY	1000015861
9	XC2517021	FEED ARM B ASSY		53	060400516	SCREW BIND M4X5	
10	XC2521021	FEED SUPPORTING PLATE ASSY		54	060300816	SCREW BIND M3X8	
11	048020346	RETAINING RING E2	1000001452	55	XC2562021	LOWER SHAFT B ASSY	
12	048030346	RETAINING RING E3	1000001452	56	X52664020	LOWER SHAFT BUSHING	060148
13	137999020	POLYESTER SLIDER		57	X51383020	WASHER, THRUST	060148
14	XZ0174021	SPRING		58	048060346	RETAINING RING E6	1000001452
15	XC7835051	HORIZONTAL FEED SHAFT	050017	59	137768121	SET SCREW COLLAR	060148
16	048050346	RETAINING RING E5	1000001452	60	014400432	SET SCREW, SOCKET (CP) M4X4	
17	X50546020	WASHER, THRUST	060148	61	XC2566021	BUSHING SUPPORTER A	
18	XC2527121	FEED ADJUSTER	1000000154	62	XC2567021	BUSHING PRESSER A	
19	XC2529020	F GEAR		63	060401616	SCREW BIND M4X16	
20	XC2530021	SPRING		64	XC2569051	NEEDLE PLATE A	
21	137713020	POLYESTER SLIDER		65	XF2439001	STOPPER PLATE	1000029384
22	XC2531021	SPRING		66	XC2571121	F GEAR STOPPER PLATE	1000018284
23	XC2532121	FPM HOLDER ASSY	1000038217	67	060260316	SCREW BIND M2.6X3	
24	XC2534021	MOTOR, PULSE: F SMJ35-4840-C		68	X50487021	SCREW M4	1000010447
25	XC2587020	RUBBER	040131	69	XC2572021	DROP KNOB	
26	060300516	SCREW, BIND M3X5		70	XC2573051	SLIDE SHAFT B	040142
27	XC3338021	SCREW3X8	060148	71	XC2574021	SPRING PLATE	
28	018402533	BOLT SOCKET M4X25	060206	72	X53169020	BAND	060148
29	XC2537021	SPRING		73	060300516	SCREW BIND M3X5	
30	XC2538021	SPRING		74	XC8195051	SHAFT STOPPER PLATE	050017
31	XC2539021	BUSHING SUPPORTER ASSY		75	060300516	SCREW BIND M3X5	050017
32	060400616	SCREW BIND M4X6		76	130676121	SET SCREW COLLAR	060148
33	XC2542021	BUSHING PRESSER B		77	014400432	SET SCREW SOCKET (CP) M4X4	050017
34	060300516	SCREW BIND M3X5		78	XC2568221	NEEDLE PLATE A ASSY	1000029384
35	XC3941021	VERTICAL ADJUSTER SCREW ASSY	060148	79	XC4479451	FEED SUPPLY UNIT ASSY (OTHER)	1000042710
36	XC2546121	M5 NUT	1000042710		XC4479452	FEED SUPPLY UNIT ASSY (U.S.A & CANADA)	1000042710
37	XC2547021	SPRING					
38	XC8361021	VERTICAL FEED SHAFT	040085				
39	XC2550021	SPRING		80	XC2558120	SPRING ASSIST PLATE	1000041311
40	XC2551020	VERTICAL LEVER		81	XE3331101	SPRING PLATE	1000041311
41	XC2552021	SET SCREW COLLAR	040142				
42	014400432	SET SCREW SOCKET (CP) M4X4					
43	048030346	RETAINING RING E3	1000001452				
44	XC7801021	VERTICAL SUPPORTING PLATE	040085				

THREAD CUTTER MODULE



THREAD CUTTER MODULE

No.	CODE	NAME	REMARKS
1	XC2576021	THREAD CUTTER FRAME ASSY	
2	XC2579020	SPACER	
3	X80321021	NT LOWER THREAD CUTTER	060143
4	XC2596021	PRESSER PLATE	DEL 050061
5	XD0118001	PILE 4X4	DEL 050061
6	060300516	SCREW BIND M3X5	1000010059
7	XC2598120	SPRING PLATE	040150
8	XC2587020	RUBBER	060143
9	048030346	RETAINING RING E3	1000001452
10	XC2583121	THREAD HOOK ASSY	050013
11	137713020	POLYESTER SLIDER	060143
12	X56731020	WASHER	060143
13	048040346	RETAINING RING E4	1000001452
14	XC2581221	THREAD CUTTER LEVER	060151
15	XC2582020	THREAD CUTTER LEVER GEAR	
16	0A4300605	SCREW PAN (S/P WASHER) M3X6	
17	XC2588321	MOTOR HOLDER ASSY	1000018482
18	XC2592020	IDLE GEAR A	
19	XC2593020	IDLE GEAR B	
20	X56323021	SPRING	
21	048020346	RETAINING RING E2	1000001452
22	XF7723001	C PULSE MOTOR SMJ35-4840-BP	1000040101
23	060300416	SCREW BIND M3X4	
24	XC2594121	COLLAR	1000010397
25	060402016	SCREW BIND M4X20	
26	X53169020	BAND	060143
27	137713020	POLYESTER SLIDER	060143
28	XZ0147020	DUST COVER	DEL 040151
29	XC8407020	WAVE-SHAPE SPRING WASHER	060143
30	XE4994001	PRESSER PLATE ASSY	1000008247
31	XC5439221	THREAD CUTTER SUPPLY ASSY (OTHER)	060200
	XC5439222	THREAD CUTTER SUPPLY ASSY (U.S.A & CANADA)	060200

brother

NX400 (885S62)
NX400LE (882S62-50202/50502/50602/51704/52002/59902)
NX400Q (885S62-20003/882S62-50503/50603/52003/59903)
NX400 PACESETTER (882S62-20001/25101)
NX400 INNOV-IS (885S62-20004/25104)
PC420 (885S62-20005)
PC420PRW (885S62-20006)
S62 (882S62-51703)
QS480 (885S62-55602)

08C03HF885S62