

brother®

**Home Sewing Machine
PARTS REFERENCE LIST**

MODEL: PE-200 (ZZ4-B216)

MECHANISMS & ELECTRONICS

CONTENTS

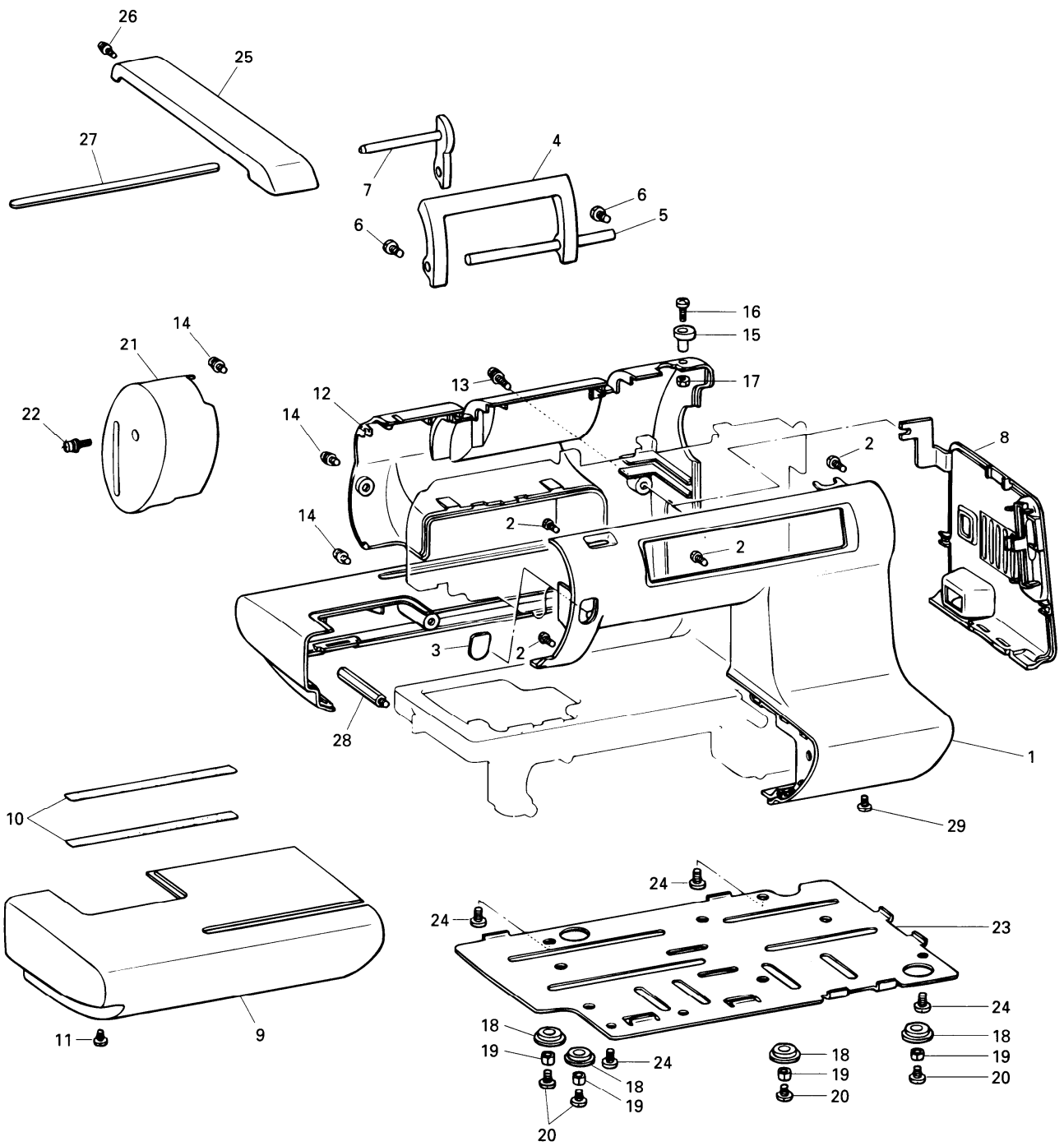
(1) PRINCIPAL PARTS AND DISPLAY	2
(2) NEEDLE BAR AND PRESSER BAR.....	4
(3) BALANCE, ROTARY HOOK AND UPPER SHAFT ..	6
(4) VERTICAL SHAFT, BOBBIN WINDER AND THREADING MECHANISM	8
(5) LAMP, ELECTRONIC PARTS, MOTOR AND POWER SUPPLY	10
(6) EMBROIDERY MECHANISM	12
(7) ACCESSORIES, PACKAGES	14

Note on parts:

We keep performance parts for this sewing machine for at least 8 years after this model is discontinued. Performance parts are the necessary parts to maintain the function of the sewing machine.

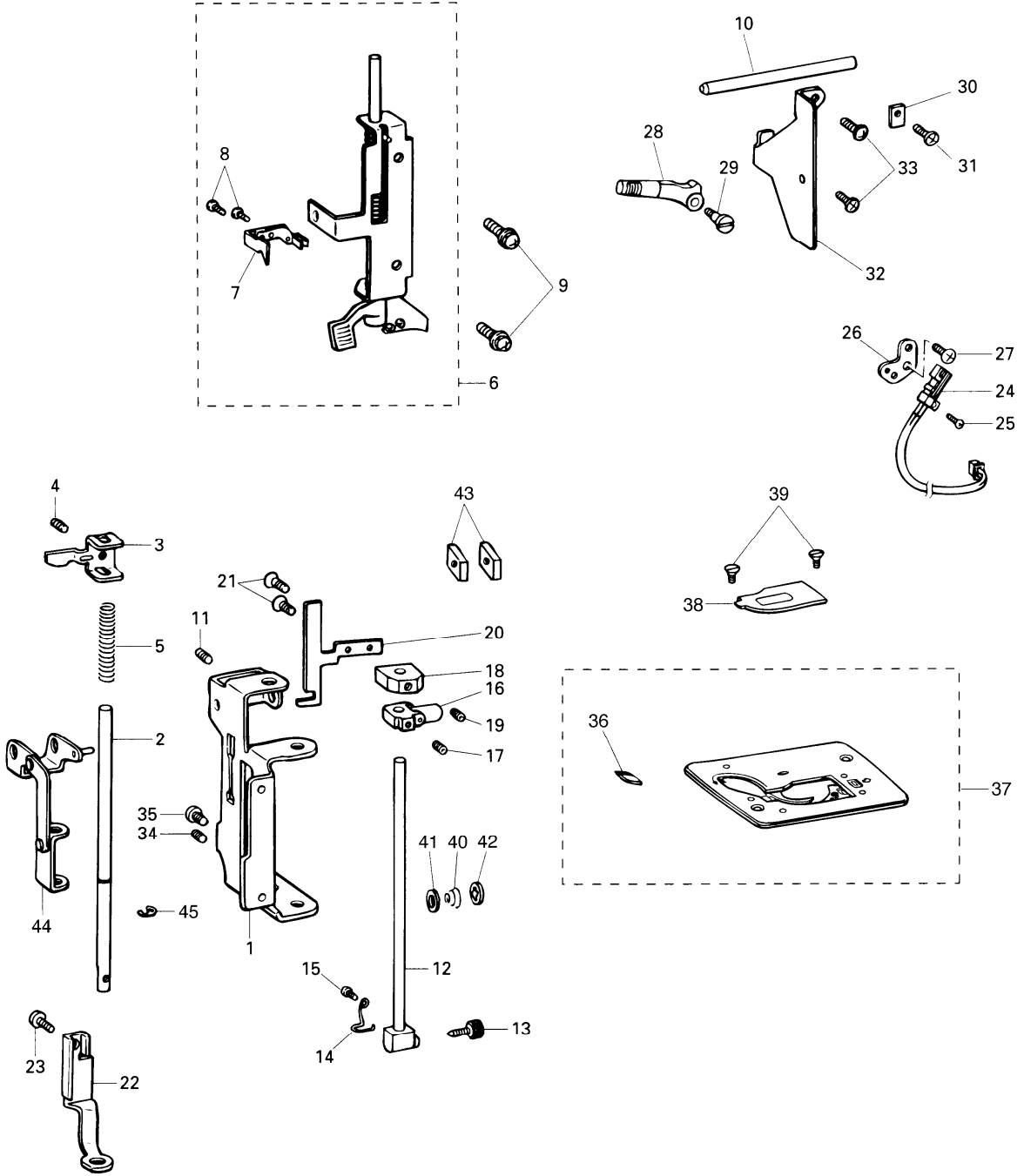
(1) PRINCIPAL PARTS AND DISPLAY

No.	CODE	NAME	REMARKS
1	X58642053	FRONT COVER	
2	085411415	TAPTITE BIND B M4X14	
3	X58645004	SS BUTTON (ARROW)	
4	X58643051	CARRYING HANDLE	
5	X58644051	CARRYING HANDLE SHAFT	
6	XC7568051	SCREW PAN (S/P WASHER) M4X14	1000000872
7	X58708051	SPOOL STICK	
8	X58647153	BELT COVER	
9	X58648151	MAIN COVER	
10	X58649051	GROOVE COVER	
11	085300815	TAPTITE BIND P M3X8	
12	X59801152	REAR COVER (WITH LOGO)	
13	XC7568051	SCREW PAN (S/P WASHER) M4X14	1000000872
14	052400806	SCREW, PAN (S/P WASHER) M4X8	
15	121846051	BOBBIN PRESSER	
16	062301616	SCREW PAN M3X16	
17	021300205	NUT 2 M3	050171
18	X55942151	RUBBER CUSHION	
19	X56474051	SPACER	
20	X57908051	TAPTITE,BIND S M4X10	
21	X58654052	FACE PLATE	
22	052400806	SCREW, PAN (S/P WASHER) M4X8	
23	X58655051	BASE COVER	
24	X57908051	TAPTITE,BIND S M4X10	
25	X58657152	X CARRIAGE COVER	
26	052300606	SCREW, PAN (S/P WASHER) M3X6	
27	X58765051	SLIDER PLATE	
28	X59368051	STUD BOLT	
29	085300815	TAPTITE BIND P M3X8	



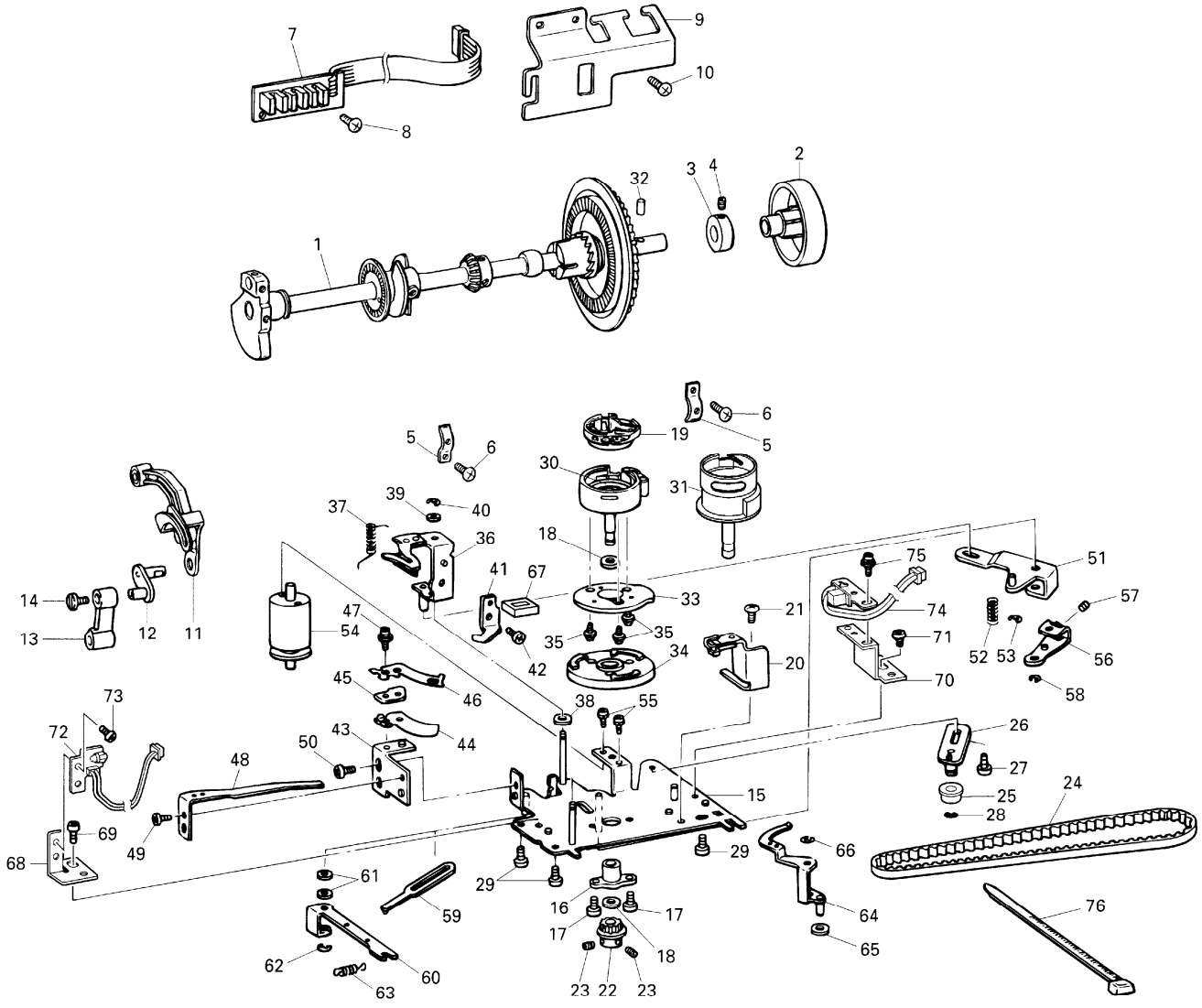
(2) NEEDLE BAR AND PRESSER BAR

No.	CODE	NAME	REMARKS	No.	CODE	NAME	REMARKS
1	XA0415001	PRESSER UNIT HOLDER		45	048040346	RETAINING RING E4	
2	XA3623051	PRESSER BAR					
3	XA3626051	PRESSER BAR GUIDE BRACKET					
4	014400632	SET SCREW SOCKET (CP) M4X6					
5	XA3624051	SPRING					
6	XA0419051	THREAD GUIDE ASSEMBLY					
7	XA0445251	THREADER HOOK ASSEMBLY	060001				
8	037200416	TAPPING SCREW PAN V M2X4					
9	052300606	SCREW, PAN (S/P WASHER) M3X6					
10	X58772151	THREAD TAKE-UP LEVER STUD					
11	014400632	SET SCREW SOCKET (CP) M4X6					
12	X55185001	NEEDLE BAR ASSY					
13	XA4052051	NEEDLE CLAMP SCREW					
14	X55187150	NEEDLE BAR THREAD GUIDE					
15	062020416	SCREW PAN M2X4					
16	XA0425151	NEEDLE BAR BLOCK ASSY					
17	014400432	SET SCREW SOCKET (CP) M4X4					
18	XA0429050	POSITIONING SUPPORTER					
19	012400432	SET SCREW SOCKET (FT) M4X4					
20	XA0430051	NEEDLE THREADER SET PLATE					
21	004260405	SCREW FLAT M2.6X4					
22	XA3625001	EMBROIDERY PRESSER					
23	060400616	SCREW BIND M4X6					
24	XC0298051	BT SWITCH ASSEMBLY					
25	062260516	SCREW PAN M2.6X5					
26	X58676051	PRESSER SWITCH HOLDER					
27	X57908051	TAPTITE,BIND S M4X10					
28	X58677051	PRESSER FOOT LEVER					
29	X55168051	STUD SCREW					
30	X50532001	PRESSER PLATE					
31	X57908051	TAPTITE,BIND S M4X10					
32	XA0431051	FACE PLATE BASE PLATE					
33	X57908051	TAPTITE,BIND S M4X10					
34	012400632	SET SCREW SOCKET (FT) M4X6					
35	052301606	SCREW PAN(S/P WASHER) M3 X 16	CHG				
36	X80321001	NT LOWER THREAD CUTTER					
37	XA3633051	NEEDLE PLATE ASSY					
38	XD1646051	NEEDLE PLATE COVER SUPPLY ASSY	050259				
39	X50487051	SCREW M4					
40	X57822151	NEEDLE BAR PRESSER SPRING					
41	X58511100	WASHER,THRUST					
42	XD0573051	WASHER					
43	XA1298050	SPACER					
44	XA3627051	PRESSER LINK ASSY					



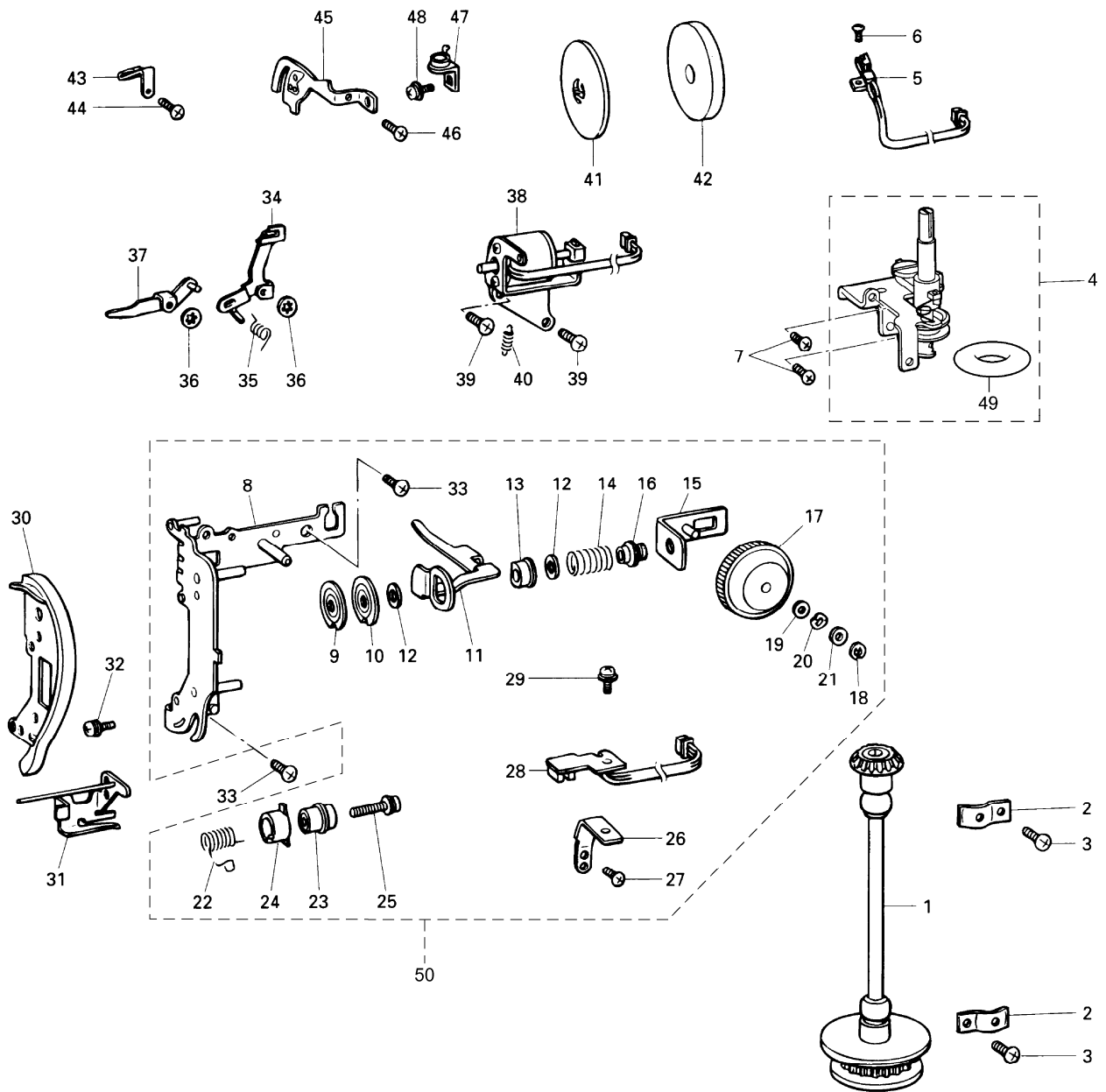
(3) BALANCE, ROTARY HOOK AND UPPER SHAFT

No.	CODE	NAME	REMARKS	No.	CODE	NAME	REMARKS
1	XA3719151	UPPER SHAFT ASSY		37	XA3658051	SPRING	
2	X55147001	HAND WHEEL		38	026050236	WASHER PLAIN M 5	
3	130096151	COLLAR		39	137713050	POLYESTER SLIDER	
4	014400632	SET SCREW SOCKET (CP) M4X6		40	048040346	RETAINING RING E4	
5	132421051	BUSHING PRESSER		41	XA4055050	THREAD CUTTER ASSIST PLATE	
6	060401216	SCREW BIND M4X12		42	060300416	SCREW BIND M3X4	
7	XC0299151	PCB ASSY : NP 214	CHG	43	XA3660050	PLATE	
8	060400816	SCREW BIND M4X8		44	XA3661150	INNER ROTARY HOOK HOLDER	
9	X58763051	SHUTTER COVER		45	XA3662050	FIXED BLADE SPACER	
10	X57908051	TAPTITE,BIND S M4X10		46	XA3663001	FIXED BLADE	
11	X58776151	THREAD TAKE-UP ASSY		47	052300606	SCREW, PAN (S/P WASHER) M3X6	
12	X59571051	NEEDLE BAR CRANK		48	XA3664051	LOWER THREAD GUIDE PLATE ASSY	
13	X55197050	NEEDLE BAR CRANK ROD		49	060300616	SCREW BIND M3X6	
14	X59572051	SCREW		50	060400616	SCREW BIND M4X6	
15	XA3637151	ROTARY HOOK SHAFT FRAME ASSY		51	XA3667101	THREAD CUTTING LEVER ASSY	
16	XA3644000	SHAFT SUPPORTER (PLASTIC OUTER ROTARY HOOK)		52	XA3670051	SPRING	
	XA6698050	SHAFT SUPPORTER (STEEL OUTER ROTARY HOOK)		53	048040346	RETAINING RING E4	
17	060300616	SCREW BIND M3X6		38	X58703001	SOLENOID:19LC-12V	CHG
18	137805052	SPACER		55	X59522051	SCREW 2.6 × 4D	
19	XA5651151	INNER ROTARY HOOK ASSY		56	XA3672051	SOLENOID LEVER	
20	X59803001	INNER ROTARY HOOK BRACKET ASSY		57	014300532	SET SCREW SOCKET (CP) M3X5	
21	060400616	SCREW BIND M4X6		58	048040346	RETAINING RING E4	
22	138417050	HOOK SHUTTLE SHAFT PULLEY		59	X56123051	BOBBIN PRESSER LEVER ASSY	
23	014400632	SET SCREW SOCKET (CP) M4X6		60	XA3673050	BOBBIN PRESSER ROD	
24	X58784051	TIMING BELT 200 XL015		61	025050135	WASHER PLAIN S 5	
25	X50079050	TENSION PULLEY		62	048040346	RETAINING RING E4	
26	XA3645051	PULLEY PLATE ASSY		63	XA3674051	SPRING	
27	052300606	SCREW, PAN (S/P WASHER) M3X6		64	XA3675151	BOBBIN PRESSER ASSY	
28	048060346	RETAINING RING E6		65	026040236	WASHER PLAIN M 4	
29	X57908051	TAPTITE,BIND S M4X10		66	048030346	RETAINING RING E3	
30	X59310001	OUTER ROTARY HOOK WASHER (PLASTIC OUTER ROTARY HOOK)		67	XA2189050	RUBBER	
31	XA0479001	OUTER ROTARY HOOK ASSEMBLY (PLASTIC TYPE)		68	XA4046051	PHOTO DIODE BOARD HOLDER	
	XA6699051	OUTER ROTARY HOOK ASSY (STEEL TYPE)		69	060400616	SCREW BIND M4X6	
32	X51920051	NEEDLE ROLLER		70	XA4047051	PHOTO TRANSISTOR ASSY	
33	XA3648000	CAM A (PLASTIC OUTER ROTARY HOOK)		71	060400616	SCREW BIND M4X6	
34	XA3649000	CAM B (PLASTIC OUTER ROTARY HOOK)		72	XC0142151	PHOTO DIODE ASSY	CHG
35	U52594001	SCREW 2.6 × 8 (PLASTIC OUTER ROTARY HOOK)		73	060300616	SCREW BIND M3X6	
36	XA3650051	THREAD CUTTING ARM ASSY		74	XA4050151	PHOTO TRANSISTOR ASSY	CHG
				75	052300606	SCREW, PAN (S/P WASHER) M3X6	
				76	X53169050	BAND	



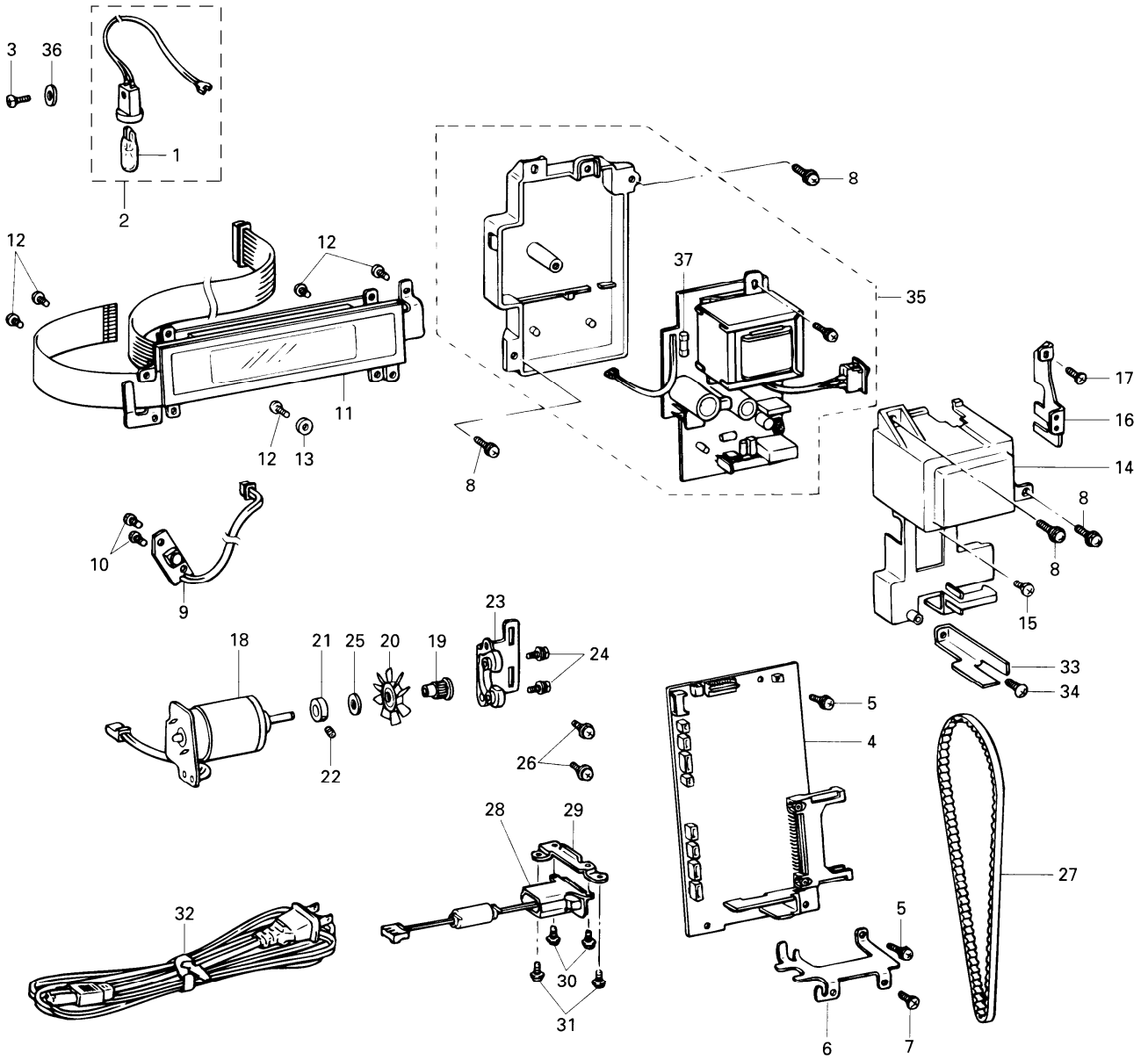
(4) VERTICAL SHAFT, BOBBIN WINDER AND THREADING MECHANISM

No.	CODE	NAME	REMARKS	No.	CODE	NAME	REMARKS
1	X58785051	VERTICAL SHAFT ASSEMBLY		45	X58706151	THREAD GUIDE PLATE B ASSY	
2	132421051	BUSHING PRESSER		46	085300815	TAPTITE BIND P M3X8	
3	060401216	SCREW BIND M4X12		47	X53252051	BOBBIN WINDER THREAD GUIDE	
4	X58787051	BOBBIN WINDER ASSEMBLY		48	052300606	SCREW, PAN (S/P WASHER) M3X6	
5	X56202051	BOBBIN WINDER SWITCH ASSY		49	120448051	BOBBIN WINDER RUBBER BAND	
6	062260516	SCREW PAN M2.6X5		50	X58680251	THREAD GUIDE ASSY	ADD
7	X57908051	TAPTITE,BIND S M4X10					
8	X58681151	THREAD GUIDE PLATE SUB ASSY					
9	XA0083051	TENSION DISC A	CHG				
10	XA0084051	TENSION DISC B	CHG				
11	X58686051	THREAD TENSION RELEASE PLATE A	CHG				
12	XD0573051	WASHER	050053				
13	137881051	TENSION DISC WASHER	CHG				
14	X58687151	THREAD TENSION SPRING	CHG				
15	X58688051	THREAD TENSION PLATE ASSEMBLY					
16	137878051	THREAD TENSION ADJUSTING SCREW					
17	X55253053	THREAD TENSION DIAL					
18	048030346	RETAINING RING, E3	CHG				
19	XZ0133050	WASHER	CHG				
20	137991051	SPRING WASHER	CHG				
21	025040133	WASHER, PLAIN S 4	CHG				
22	X59432051	THREAD TAKE-UP SPRING					
23	X53828051	THREAD TAKE-UP SPRING CASE					
24	X58316001	THREAD CUTTING SHUTTER	CHG				
25	0A4402006	SCREW, PAN (S/P WASHER) M4 X 20	CHG				
26	X58691051	THREAD BREAKAGE SENSOR					
27	060300616	SCREW, BIND M3 X 6	CHG				
28	XC0100151	PCB ASSY:THREAD SENSOR	CHG				
29	052300606	SCREW, PAN (S/P WASHER) M3 X 6	CHG				
30	X58694051	THREAD GUIDE COVER					
31	X58804051	ARM THREAD GUIDE ASSEMBLY					
32	0A4300806	SCREW PAN (S/P WASHER) M3X8					
33	X57908051	TAPTITE, BIND S M4X10					
34	X58696151	THREAD TENSION RELEASE PLATE B					
35	X58697151	SPRING B					
36	120454051	STOP RING CS					
37	X58698051	THREAD TENSION RELEASE PLATE C					
38	X58701051	SOL.HOLDER ASSY					
39	X57908051	TAPTITE, BIND S M4X10					
40	X58704051	SPRING					
41	X55260152	SPOOL PRESSER C					
42	X57045051	SPOOL FELT					
43	X59416051	THREAD GUIDE PLATE A					
44	X57372051	TAPTITE PAN P M2.6X8					



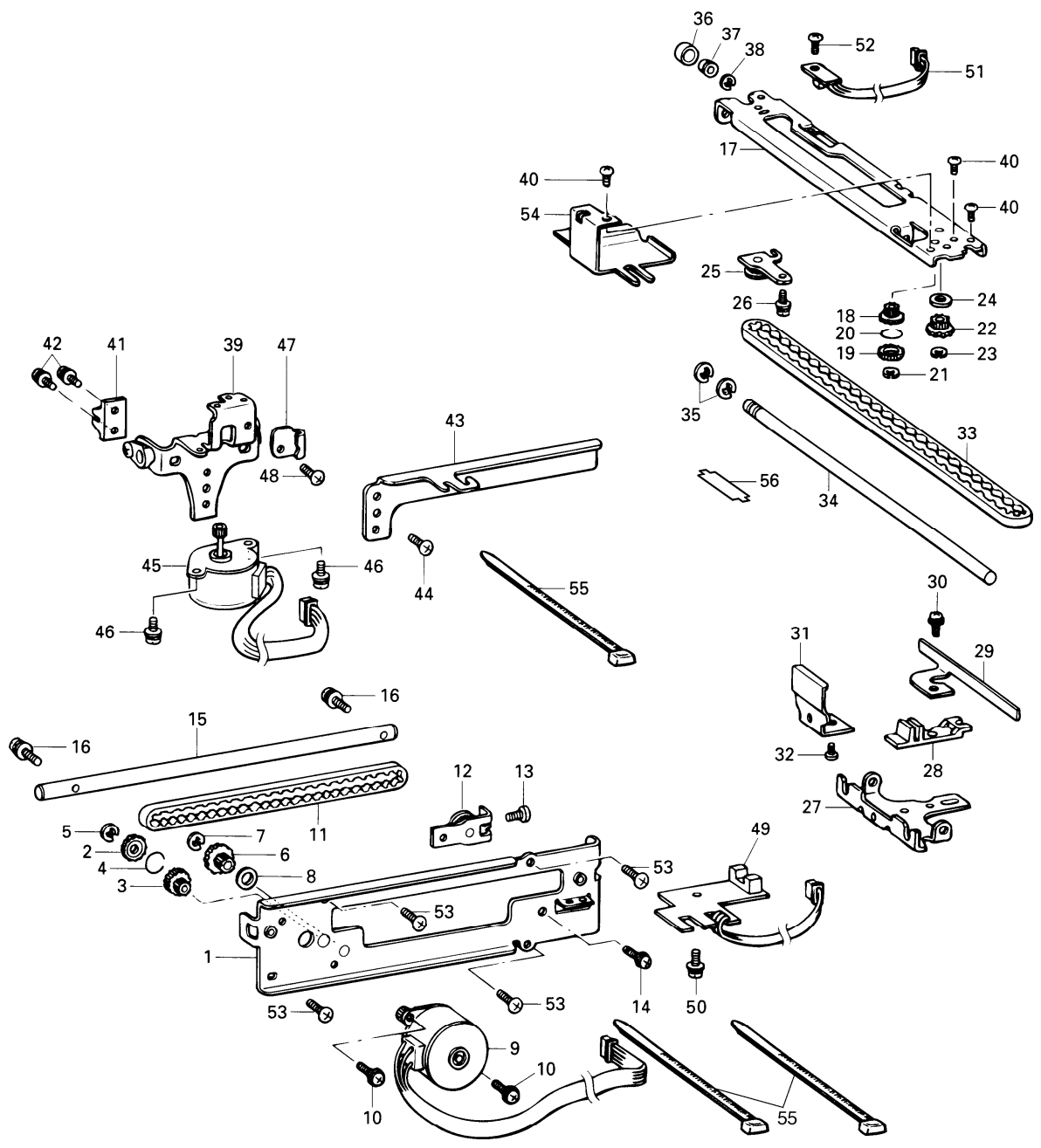
(5) LAMP ELECTRONIC PARTS, MOTOR AND POWER SUPPLY

No.	CODE	NAME	REMARKS	No.	CODE	NAME	REMARKS
1	X50228001	SEW-LIGHT BULB		28	XA4068051	INLET ASSEMBLY for 120V	
2	X58709051	LAMP ASSY:#6 214			XC0286051	ASSY:INLET CE (230V)	
3	085301415	TAPTITE BIND P M3X14		29	X59577051	INLET INSTALLING PLATE	
4	X80983051	MAIN PC BOARD ASSY ASSEMBLY FOR U.S.A., CANADA	040103	30	0A4300806	SCREW PAN (S/P WASHER) M3X8	
	X80984051	MAIN PC BOARD ASSY for IRELAND, GERMANY, BELGIUM, U.K., FARANCE, NORWAY, NETHERLANDS, AUSTRIA, GREECE, SWEDEN, SPAIN, PORTUGAL, ITALY, FINLAND, SWITZERLAND, DENMARK, GIBRALTAR, ICELAND, MALTA, MONACO, AUSTRALIA, NEW ZEALAND AND SOUTH AFRICA	040103	31	060400816	SCREW BIND M4X8	
	X80985051	MAIN PC BOARD ASSY FOR KOREA	040103	32	XC6052051	POWER SUPPLY CORD : UL CSA-LF	CHG
	X80986051	MAIN PC BOARD ASSY for OTHER COUNTRIES	040103		XA0070151	POWER SUPPLY CORD	CHG
					X59328151	POWER CORD for AUSTRALIA, NEW ZEALAND	CHG
			X57079001		POWER SUPPLY CORD for UK		
				XE2016001	POWER SUPPLY CORD KOR (KOR)	1000000491	
				XA5820051	POWER SUPPLY CORD for CHINA		
5	052300606	SCREW, PAN (S/P WASHER) M3X6		33	XA0442051	MAIN MOTOR COVER for 220V to 240V	
6	X58744051	BOARD INSTALLING PLATE		34	XZ0075051	TAPTITE SCREW,TRUSS B 4X10	
7	X57908051	TAPTITE,BIND S M4X10		35	X81047252	POWER SUPPLY UNIT ASSY for 120V	CHG
8	052401205	SCREW, PAN (S/P WASHER) M4X12			X81048152	POWER SUPPLY UNIT ASSY for 220V to 240V	CHG
9	XC0098151	PCB ASSY : SS 214	CHG	36	025030336	WASHER PLAIN L 3	
10	X57300051	SCREW		37	XA4871051	G FUSE 3.15AA for 120V	
11	X58749057	LCD MODULE ASSY			XC0283051	G FUSE 3.15A-B for 220V to 240V	
12	085300815	TAPTITE BIND P M3X8					
13	XZ0086050	INSULATING WASHER 3					
14	XA0443051	POWER SUPPLY UNIT COVER					
15	085411415	TAPTITE BIND B M4X14					
16	X59205051	SWITCH HOLDER					
17	X57908051	TAPTITE,BIND S M4X10					
	XC0659251	MOTOR ASSY:EM DC651-120					
	XC0663251	MOTOR (DC230V)					
19	X58759000	MOTOR PULLEY					
20	X58760000	FLANGE FAN					
21	130676151	SET SCREW COLLAR					
22	014400632	SET SCREW SOCKET (CP) M4X6					
23	X58761051	MOTOR HOLDER					
24	0A5301006	SCREW PAN (S/P WASHER) M3X10					
25	X53838051	WASHER					
26	XZ0075051	TAPTITE SCREW,TRUSS B 4X10					
27	X58762051	DRIVER BELT B124 XXL4.8					



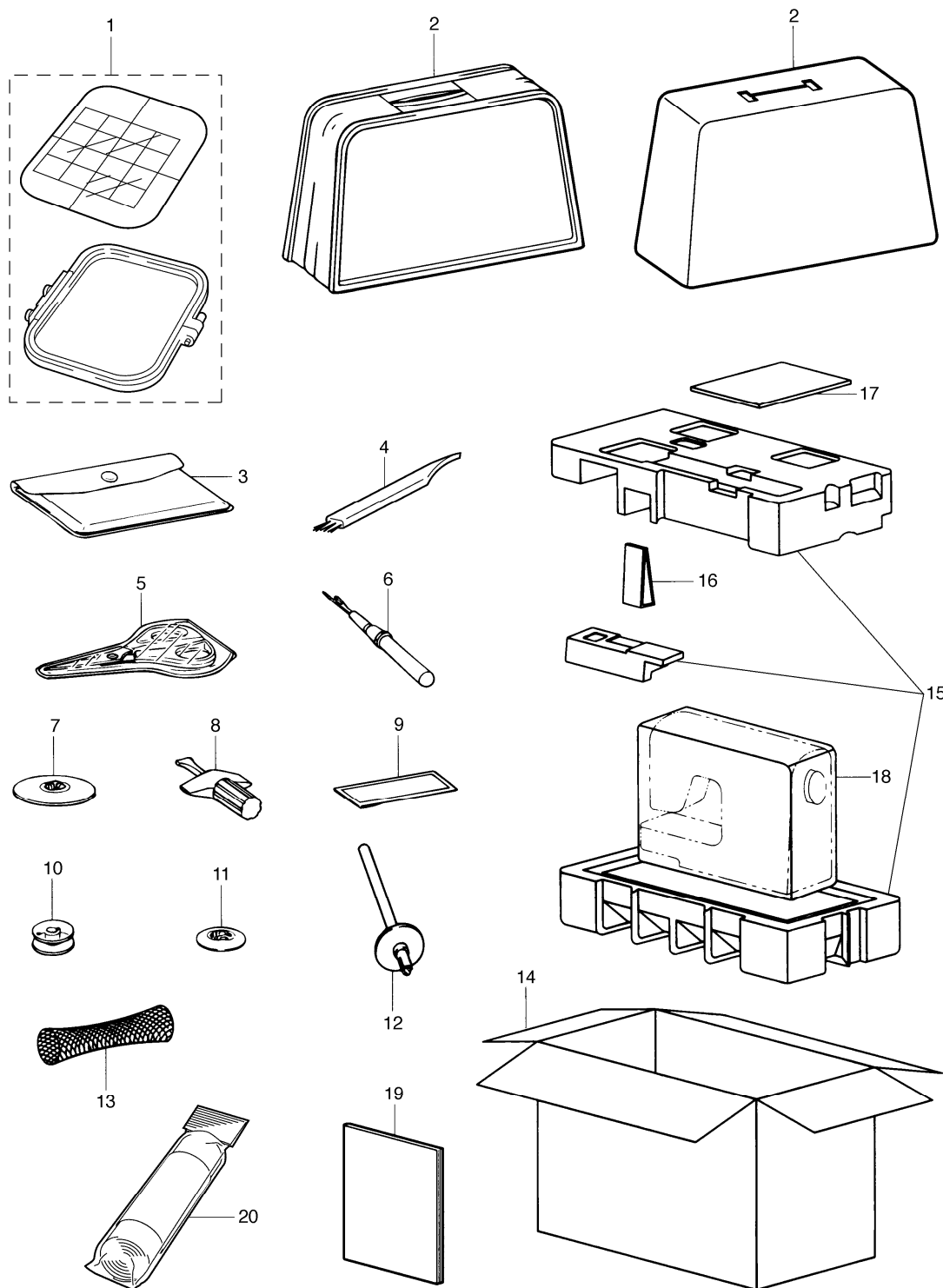
(6) EMBROIDERY MECHANISM

No.	CODE	NAME	REMARKS	No.	CODE	NAME	REMARKS
1	X58713151	MAIN FRAME ASSY		44	060300516	SCREW BIND M3X5	
2	X56321050	MIDDLE GEAR A		45	XA3701051	Y PULSE MOTOR	
3	X56322050	MIDDLE GEAR B		46	0A4300506	SCREW, PAN (S/P WASHER) M3X5	
4	X56323051	SPRING		47	X58731050	CORD GUIDE	
5	048020346	RETAINING RING E2		48	060300516	SCREW BIND M3X5	
6	X56352050	Y DRIVING GEAR PULLEY		49	XC0301151	PCB ASSY : X SENSOR	CHG
7	048040346	RETAINING RING E4		50	052300606	SCREW, PAN (S/P WASHER) M3X6	
8	026060235	WASHER PLAIN M 6		51	X58259251	Y SENSOR BOARD ASSEMBLY	CHG
9	XA3694051	X PULSE MOTOR		52	000020415	SCREW BIND M2X4	
10	052300606	SCREW, PAN (S/P WASHER) M3X6		53	X57908051	TAPTITE,BIND S M4X10	
11	X58715051	X BELT 40S2M400		54	XA3700050	GEAR COVER	
12	X58716051	X TENSION PULLEY ASSEMBLY		55	X53169050	BAND	
13	060300816	SCREW BIND M3X8		56	XA4480051	Y PRESSER PLATE	
14	052300606	SCREW, PAN (S/P WASHER) M3X6					
15	X58718151	X GUIDE SHAFT					
16	XC7568051	SCREW PAN (S/P WASHER) M4X14	1000000872				
17	X58719181	X CARRIAGE ASSY					
18	X56321050	MIDDLE GEAR A					
19	X56322050	MIDDLE GEAR B					
20	X56323051	SPRING					
21	048020346	RETAINING RING E2					
22	X56352050	Y DRIVING GEAR PULLEY					
23	048040346	RETAINING RING E4					
24	026060235	WASHER PLAIN M 6					
25	XA3695051	Y TENSION PULLEY PLATE ASSY					
26	052300606	SCREW, PAN (S/P WASHER) M3X6					
27	XA3697001	Y CARRIAGE					
28	X58272150	Y SLIDER					
29	X58724051	Y SHUTTER					
30	052300606	SCREW, PAN (S/P WASHER) M3X6					
31	X58725001	NOTCHED SPRING					
32	060300416	SCREW BIND M3X4					
33	X56354051	T BELT 40S2M360					
34	XA3698051	Y GUIDE SHAFT					
35	048040346	RETAINING RING E4					
36	X51657050	ROLLER RUBBER					
37	X51658050	ROLLER WHEEL					
38	048025346	RETAINING RING E2.5					
39	XA3699051	X CARRIAGE SUPPORT ASSY					
40	060300516	SCREW BIND M3X5					
41	X58729000	X BELT PRESSER					
42	0A4300806	SCREW PAN (S/P WASHER) M3X8					
43	X58730151	X INITIAL SHUTTER					



(7) ACCESSORIES, PACKAGES

No.	CODE	NAME	REMARKS	No.	CODE	NAME	REMARKS
1	XA3727002	Embroidery frame A3 assembly (U.S.A. and Canada)			XD0576051	EMBROIDERY THREAD CATALOG (EXCEPT: TWN)	050131
	XA3727001	Embroidery frame A3 assembly (Others)			XC4382051	INSERTION SHEET (BRA)	
2	XA0181051	SOFT CASE ASSY			XC0378051	WARRANTY CARD (USA, SPA, BRA)	
	X59351052	SOFT COVER	CHG		XC4601051	WARRANTY CARD (ZAF)	
3	XC4487051	ACCESSORY BAG					
4	X59476051	CLEANING BRUSH					
5	XC1807121	SCISSORS	050041				
6	X54243051	SEAM RIPPER					
7	130012053	SPOOL PRESSER A					
8	X53666051	SCREWDRIVER					
9	X59535051	NEEDLE SET					
10	XA3811051	BOBBIN 10PCS. (U.S.A. AND CANADA)					
	XA3812051	BOBBIN 10PCS. (OTHERS)					
11	130013153	SPOOL PRESSER B					
12	130920051	EXTRA SPOOL PIN					
13	XA5523050	NET					
14	X61034001	CARTON					
	X61034002	CARTON (WITH RECYCLE STAMP)					
	X61034004	CARTON (WITH SP STAMP)					
15	X60487150	STYROFOAM SET	CHG				
	X60487151	STYROFOAM SET FOR KOREA	ADD				
16	X60484050	SF FOR CARRIAGE					
17	X60614050	PAD D					
18	163562051	BAG 630X450T	CHG				
19	191216111	INSTRUCTION BOOK (ENGLISH/SPANISH)					
	191216013	INSTRUCTION MANUAL (FRENCH/DUTCH)					
	191216015	INSTRUCTION MANUAL (GERMAN/FRENCH)					
	191216017	INSTRUCTION MANUAL (CHINESE)					
	191216025	INSTRUCTION BOOK (BRA)					
	19121619	INSTRUCTION MANUAL (ITALIAN)					
20	XA1391001	BACKING MATERIAL (U.S.A. AND CANADA)					
	X80914001	BACKING MATERIAL (OTHERS)					
	XA1392051	BACKING MATERIAL SHEET					
	XE0053001	G.LEAFLET 14 (EXCEPT: TWN)	060015				
	X81264051	G.LEAFLET NO.24 (USA, SPA, ZAF, KOR)					
	XC4135050	SIDE POLYSTYRENE FOAM PAD	ADD				
	XC4135051	SIDE POLYSTYRENE FOAM PAD (KOR)	ADD				



brother®

PE-200
HF882216

06. 2000.
09. 2009.

Parts Catalogue For Computerized Sewing Machine Model 112-219 (PE-200 SNOOPY)

**Because this model is similar to the Model B216 (PE-200), only parts that differ from this are shown below.
For other parts not mentioned here, please refer to the B216 (PE-200) Parts Catalogue.**

Title	Parts Catalogue Page	Ref. No.	Parts Name	Parts No.	Quantity	Remarks
(1)Principal Parts and Display	2	1	Front cover assembly	XA3844001	1	
	2	3	SS button	X58645003	1	Characters
	2	3	SS button	X58645004	1	Symbols
(5)Lamp, Electronic Parts, Motor and Power Supply	10	4	Main PC board assembly	X80988101	1	For U.S.A. and CANADA
	10	4	Main PC board assembly	X80989101	1	For IRELAND, GERMANY, BELGIUM, U.K., FRANCE, NORWAY, NETHERLANDS, AUSTRIA, GREECE, SWEDEN, SPAIN, PORTUGAL, ITALY, FINLAND, SWITZERLAND, DENMARK, GIBRALTAR, ICELAND, MALTA, MONACO, AUSTRALIA, NEW ZEALAND and SOUTH AFRICA
	10	9	SS PC board assembly	XA3777101	1	
	10	11	LCD module assembly	X58749009	1	Characters
	10	11	LCD module assembly	X58749010	1	Symbols
	(7)Accessories, Packages	14	-	Instruction manual (SNOOPY)	191219011	1
	14	18	Carton for Snoopy	X81024001	1	
	14	18	Carton for Snoopy	X81024002	1	With Recycle Stamp