

brother®

Home Sewing Machine PARTS REFERENCE LIST

MODEL: PR1000

CONFIDENTIAL

Copyright © 2010 Brother Industries, Ltd.
All rights reserved.

Published: Jul.,2010
Revised: Jul.,2011

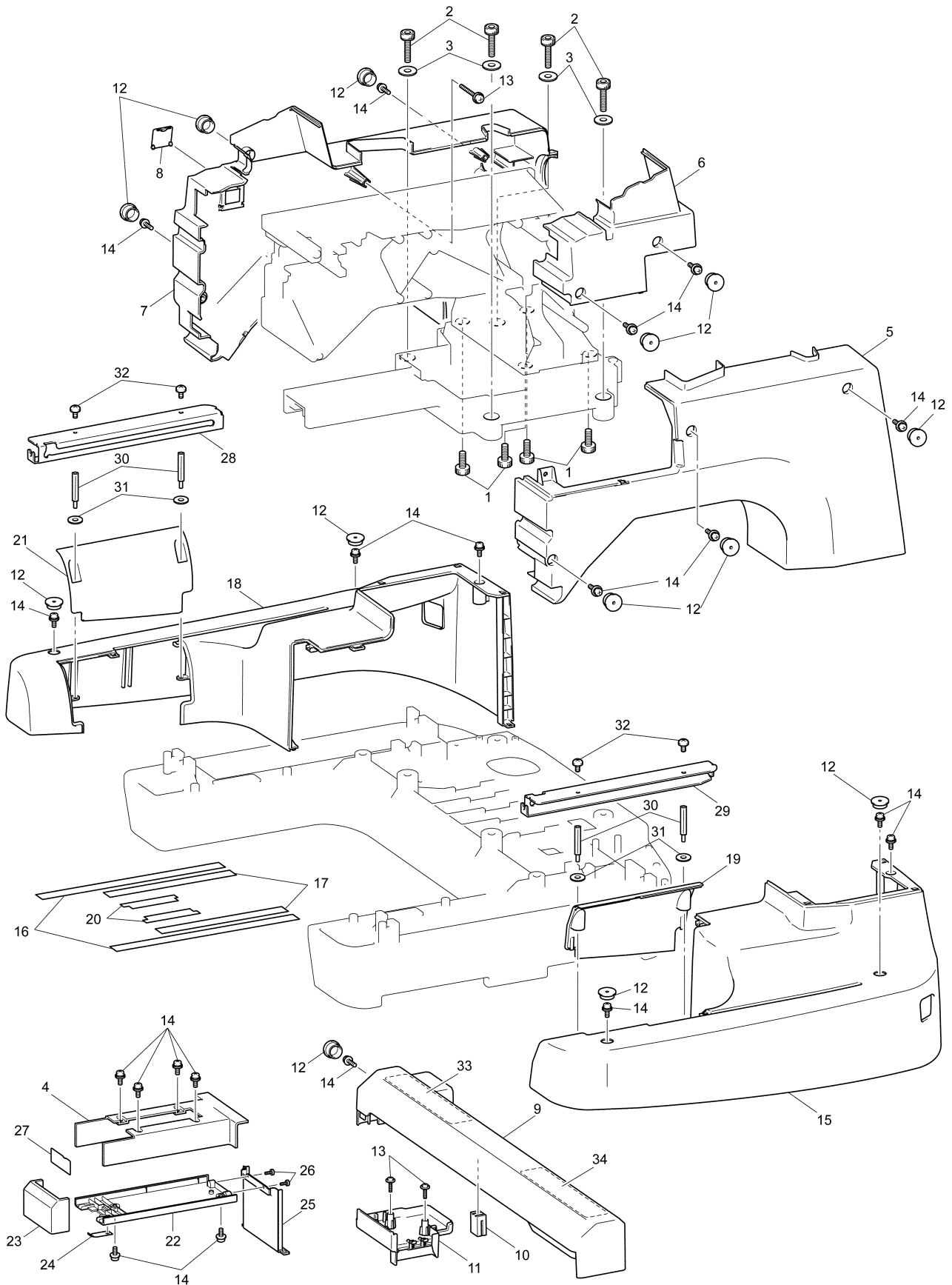
CONTENTS

(1) MAIN FRAME / COVER	2
(2) UPPER SHAFT MECHANISM.....	4
(3) NEEDLE BAR MECHANISM.....	6
(4) NEEDLE CHANGER UNIT	10
(5) NEEDLE THREADING MECHANISM	12
(6) ELECTRIC PARTS	14
(7) MAIN MOTOR UNIT	18
(8) XYCARRIAGE MECHANISM	20
(9) LOWER SHAFT MECHANISM.....	26
(10) THREAD CUTTING MECHANISM	28
(11) WIPER MECHANISM	30
(12) UPPER THREADING MECHANISM	32
(13) ACCESSORY PARTS	38
(14) PACKAGE / USER MANUAL.....	42
(15) SPARE PARTS / ADJUSTING PARTS.....	44

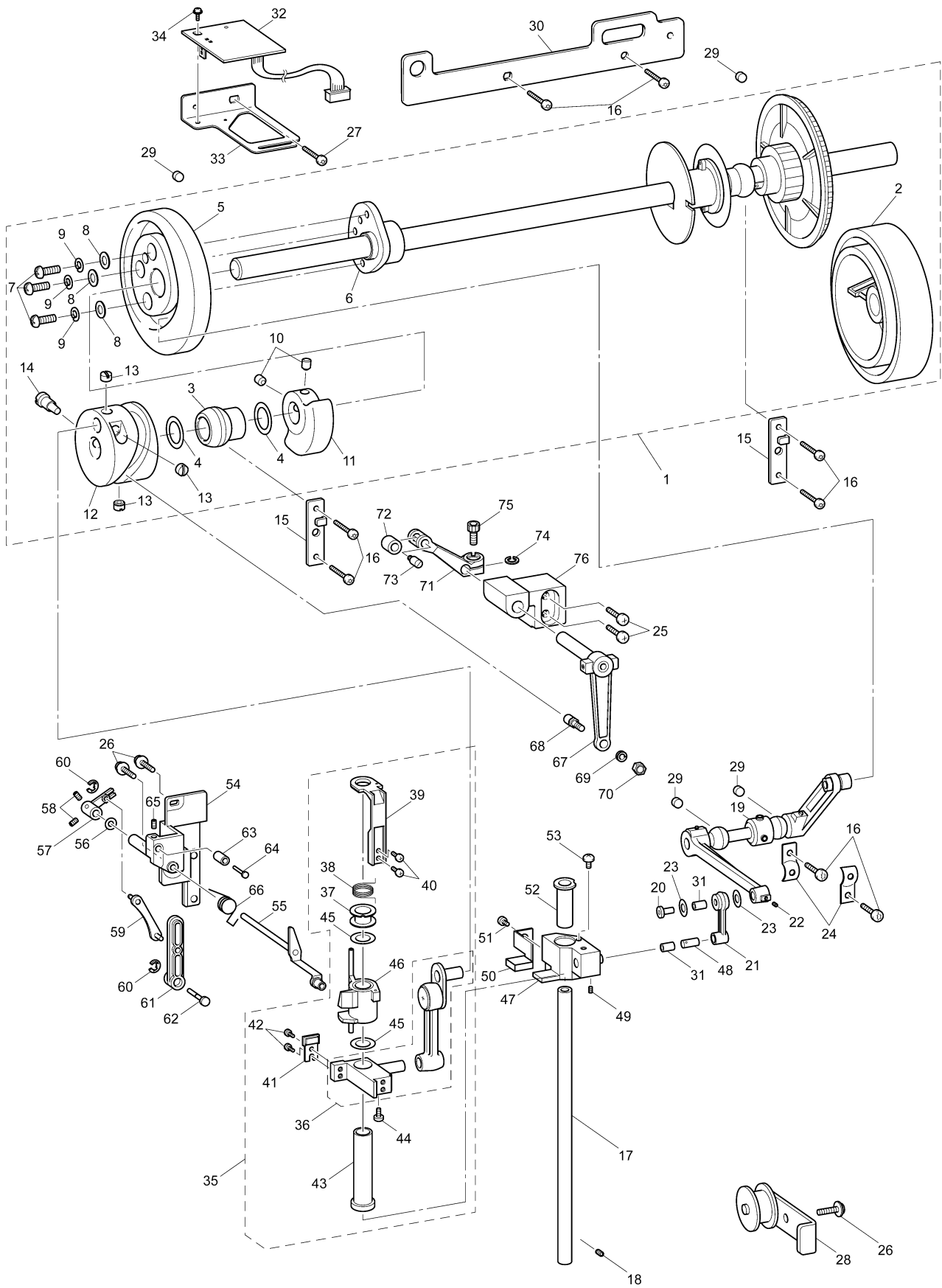
Note on parts:

We keep performance parts for this sewing machine for at least 8 years after this model is discontinued. Performance parts are the necessary parts to maintain the function of the sewing machine.

(1) MAIN FRAME / COVER



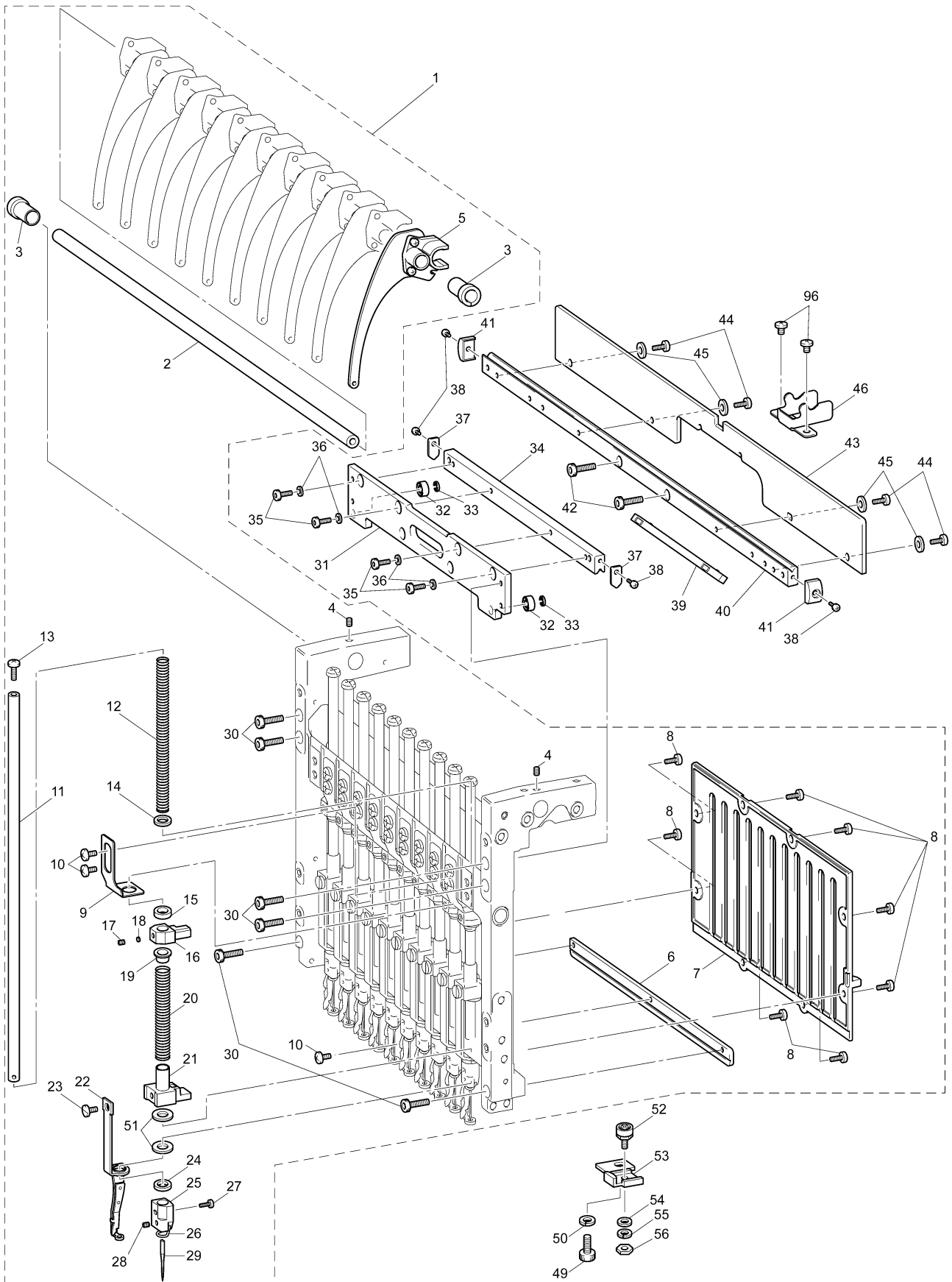
(2) UPPER SHAFT MECHANISM



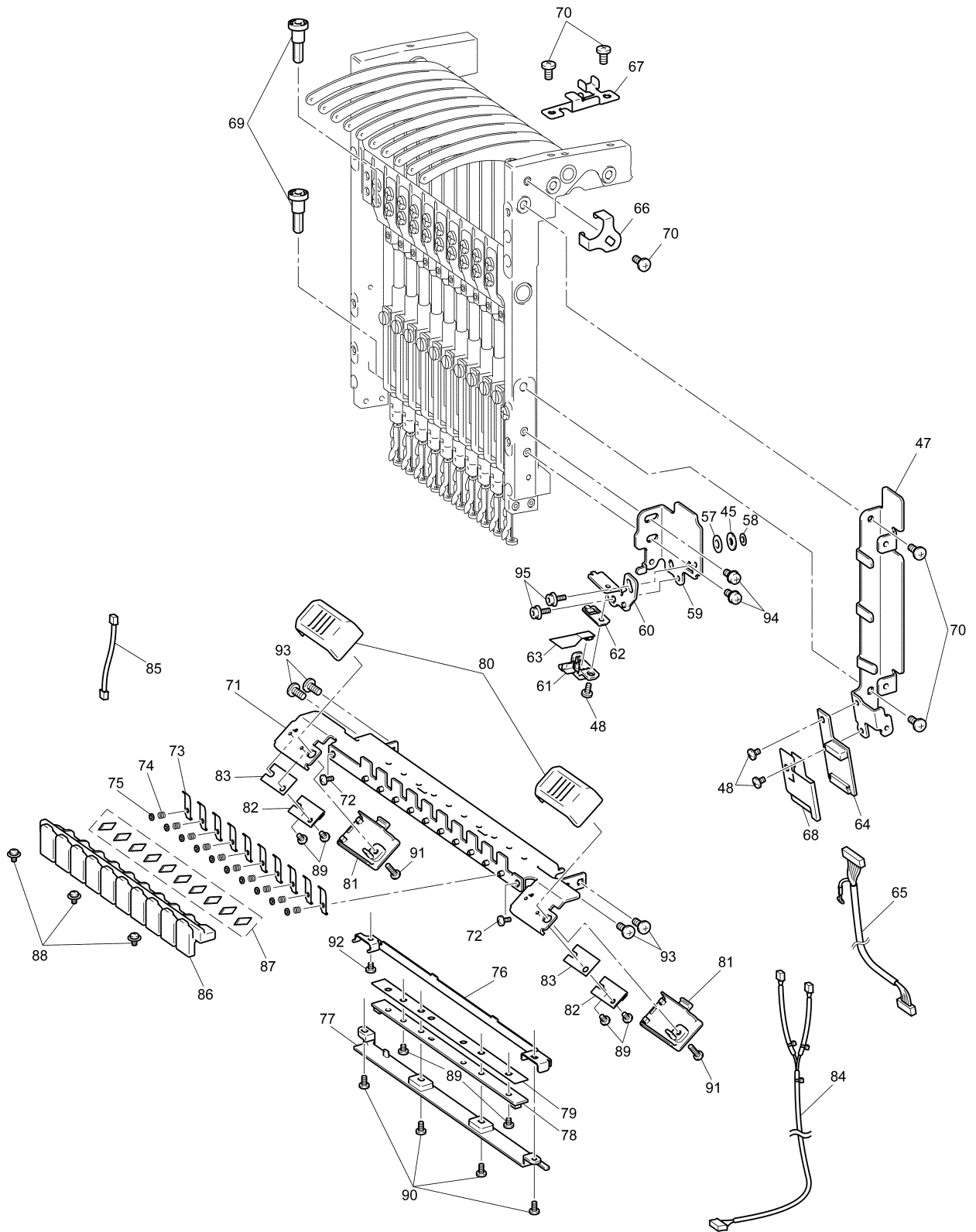
(2) UPPER SHAFT MECHANISM

No.	CODE	NAME	REMARKS	No.	CODE	NAME	REMARKS
1	XE3702102	UPPER SHAFT SUPPLY ASSY		45	131976050	WASHER, THRUST	
2	XC5597152	PULLEY		46	XE7550001	JUMP BRACKET	
3	XC5603051	UPPER SHAFT METAL	ADD	47	XC5635151	P-FOOT VERTICAL BASE	
4	X55548050	WASHER, TRUST	ADD	48	XC5636151	P-FOOT VERTICAL PIN	
5	XC5605151	PRESSER FOOT CAM	ADD	49	014400432	SET SCREW, SOCKET (CP) M4X4	
6	XC5606051	PRESSER FOOT CAM COLLAR	ADD	50	XC5638151	PRESSER FOOT CUSHION BASE	
7	062401213	SCREW PAN M4X12	ADD	51	060300516	SCREW, BIND M3X5	
8	025040133	WASHER, PLAIN S 4	ADD	52	XC5637051	P-FOOT VERTICAL BUSH	
9	028040343	WASHER SPRING 3-4	ADD	53	008260304	SCREW, TRUSS M2.6X3	
10	014500632	SET SCREW SOCKET (CP) M5X6	ADD	54	XC5648051	J BASE ASSY	
11	XC5607051	BALANCER	ADD	55	XC5651051	J DRIVING LEVER ASSY	
12	XC5609051	THREAD TAKE-UP CAM	ADD	56	X53027050	WASHER	
13	XE1211001	SET SCREW (CP) SM6.35	ADD	57	XC5656051	J DIFFERENTIAL LEVER	
14	XC5610051	SCREW	ADD	58	014300432	SET SCREW, SOCKET (CP) M3X4	
15	XC6362051	METAL PRESSER		59	XC5657051	J LINK ASSY	
16	X57908052	TAPTITE, BIND S M4X10		60	048040346	RETAINING RING, E4	
17	XC5623051	BASE NEEDLE BAR		61	XC5661051	J SLIDE LEVER	
18	014500632	SET SCREW, SOCKET (CP) M5X6		62	XC5662051	J SLIDE LEVER SHAFT	
19	XC5624351	DRIVING SHAFT ASSY, P-FOOT		63	XC5663051	J CUSHION	
20	XC5632251	P-FOOT LEVER SHAFT		64	XC5664051	J CUSHION PIN	
21	XC5633251	CONNECTING ROD, P-FOOT		65	012300432	SET SCREW, SOCKET (FT) M3X4	
22	014400432	SET SCREW, SOCKET (CP) M4X4		66	XC5665051	J LEVER SPRING	
23	X50546050	WASHER, THRUST		67	XC5639051	DRIVING LEVER ASSY, T/TAKE-UP	
24	132421051	BUSHING PRESSER		68	XC5627051	ROLLER SHAFT ASSY	
25	060501216	SCREW, BIND M5X12		69	028050246	WASHER, SPRING 2-5	
26	0A5401005	SCREW, PAN (S/P WASHER) M4X10		70	021500103	NUT, 1 M5	
27	138172051	SCREW, PAN (S/P WASHER) M4X10		71	XC5645051	DIFFERENTIAL LEVER, T/TAKE-UP	
28	XC6784051	TENSION PULLEY ASSY		72	107550002	ROLLER	
29	XC3183051	FELT		73	S32575001	THREAD TAKE-UP ROLLER PIN	
30	XE7848001	LED LEAD WIRE HOLDER		74	148782001	SPACER	
31	XZ0207051	LINK FELT, 3.3M		75	018501232	BOLT, SOCKET M5X12	
32	XC6136051	ASSY: MAIN SHAFT SENSOR		76	XC5646051	BEARING, T/TAKE-UP	
33	XC5666051	SENSOR HOLDER					
34	XC7564051	SCREW, PAN (S/P WASHER) M3X6					
35	XZ0319151	JUMP BRACKET ASSY					
36	XC7135051	CRANK ROD SET					
37	XC5616051	J SPRING COLLAR					
38	XC5617051	J SPRING					
39	XC5614051	J BRACKET					
40	062300416	SCREW, PAN M3X4					
41	XC5622051	J CUSHION BASE					
42	062260316	SCREW, PAN M2.6X3					
43	XC5621051	J VERTICAL BUSH					
44	008260304	SCREW, TRUSS M2.6X3					

(3) NEEDLE BAR MECHANISM



(3) NEEDLE BAR MECHANISM



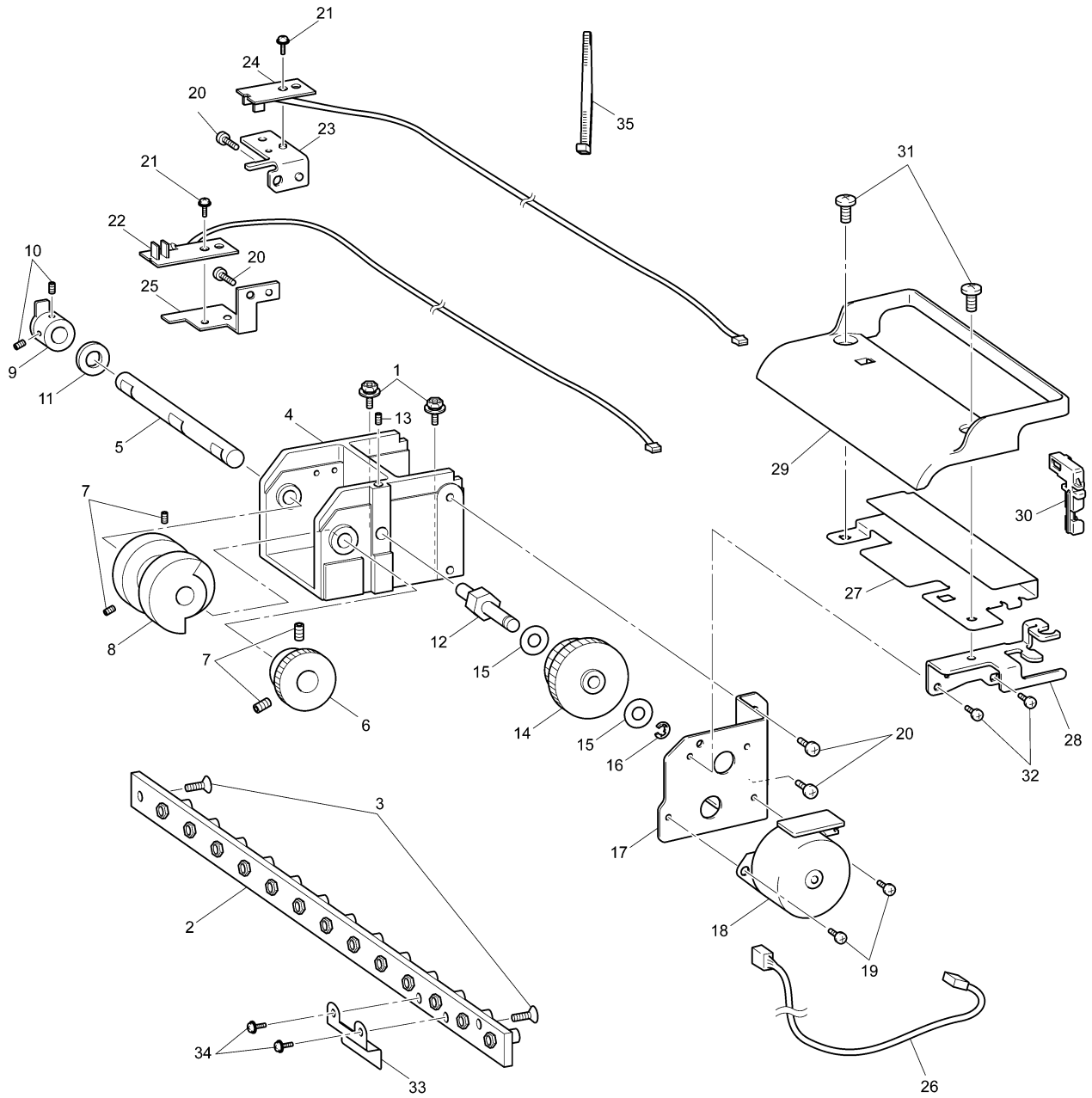
(3) NEEDLE BAR MECHANISM

No.	CODE	NAME	REMARKS	No.	CODE	NAME	REMARKS
1	XE8861101	NEEDLE BAR UNIT 10 ASSY	1000025483	45	025040236	WASHER, PLAIN M 4	
2	XE7851001	THREAD TAKE-UP SHAFT		46	XE7861001	THREAD LEVER GUIDE PLATE	
3	XC5672051	THREAD TAKE-UP BUSH		47	XE7862001	THREAD LEVER COVER HOLDER	
4	012400432	SET SCREW, SOCKET (FT) M4X4		48	060300516	SCREW BIND M3X5	
5	XC5673051	THREAD TAKE-UP LEVER ASSY		49	018501632	BOLT SOCKET M5X16	
6	XE7852101	CASE GUIDE, D	1000025483	50	028050246	WASHER SPRING 2-5	
7	XE7853001	GUIDE RAIL, NEEDLE BAR		51	XC7249052	NEEDLE BAR FELT S	
8	060400816	SCREW BIND M4X8		52	XC7472051	CASE POSITIONING SHAFT ASSY	
9	XC5678151	TOP DEAD CENTER PLATE		53	XC5702151	CASE POSITIONING PLATE	
10	060400616	SCREW, BIND M4X6	1000025483	54	025040236	WASHER PLAIN M 4	
11	XC5679051	NEEDLE BAR		55	028040246	WASHER SPRING 2-4	
12	XC5680051	SPRING, NEEDLE BAR		56	021400206	NUT 2 M4	
13	062500816	SCREW, PAN M5X8					
14	118735002	WASHER					
15	S36153100	RUBBER, CUSHION					
16	XE1172001	NEEDLE BAR CLAMP					
17	014680432	SET SCREW, SOCKET SM4.37-40X4					
18	100507050	WASHER					
19	XC5682051	PRESSER FOOT SPRING COLLAR					
20	XC5683051	PRESSER FOOT SPRING					
21	XC5684051	PRESSER FOOT CLAMP					
22	XC5685151	PRESSER FOOT ASSY					
23	0A2300606	SCREW PAN (P WASHER) M3X6	1000025962				
24	XC5689051	PRESSER FOOT CUSHION					
25	XC5690051	THREAD GUIDE, NEEDLE BAR					
26	XC7020051	THREAD GUIDE					
27	XC7021052	SCREW SM 2.38					
28	016300436	SET SCREW, SOCKET (CN) M3X4					
29	XC5691011	NEEDLE HAX130 EBBR					
30	018401632	BOLT, SOCKET M4X16					
31	XE7855001	CASE BRACKET ASSY					
32	070694809	BALL BEARING RADIAL 694ZZ					
33	048030346	RETAINING RING, E3					
34	XE7857001	CASE GUIDE, US					
35	018400832	BOLT, SOCKET M4X8					
36	XC7406051	WASHER					
37	XC5697051	SLIDE ROLLER STOPPER					
38	062300416	SCREW, PAN M3X4					
39	XE7858001	SLIDE ROLLER					
40	XE7859001	CASE GUIDE, UL					
41	XC5700051	CASE GUIDE COVER, UL					
42	018401232	BOLT, SOCKET M4X12					
43	XE7860001	THREAD TAKE-UP GUIDE					
44	062400816	SCREW, PAN M4X8					

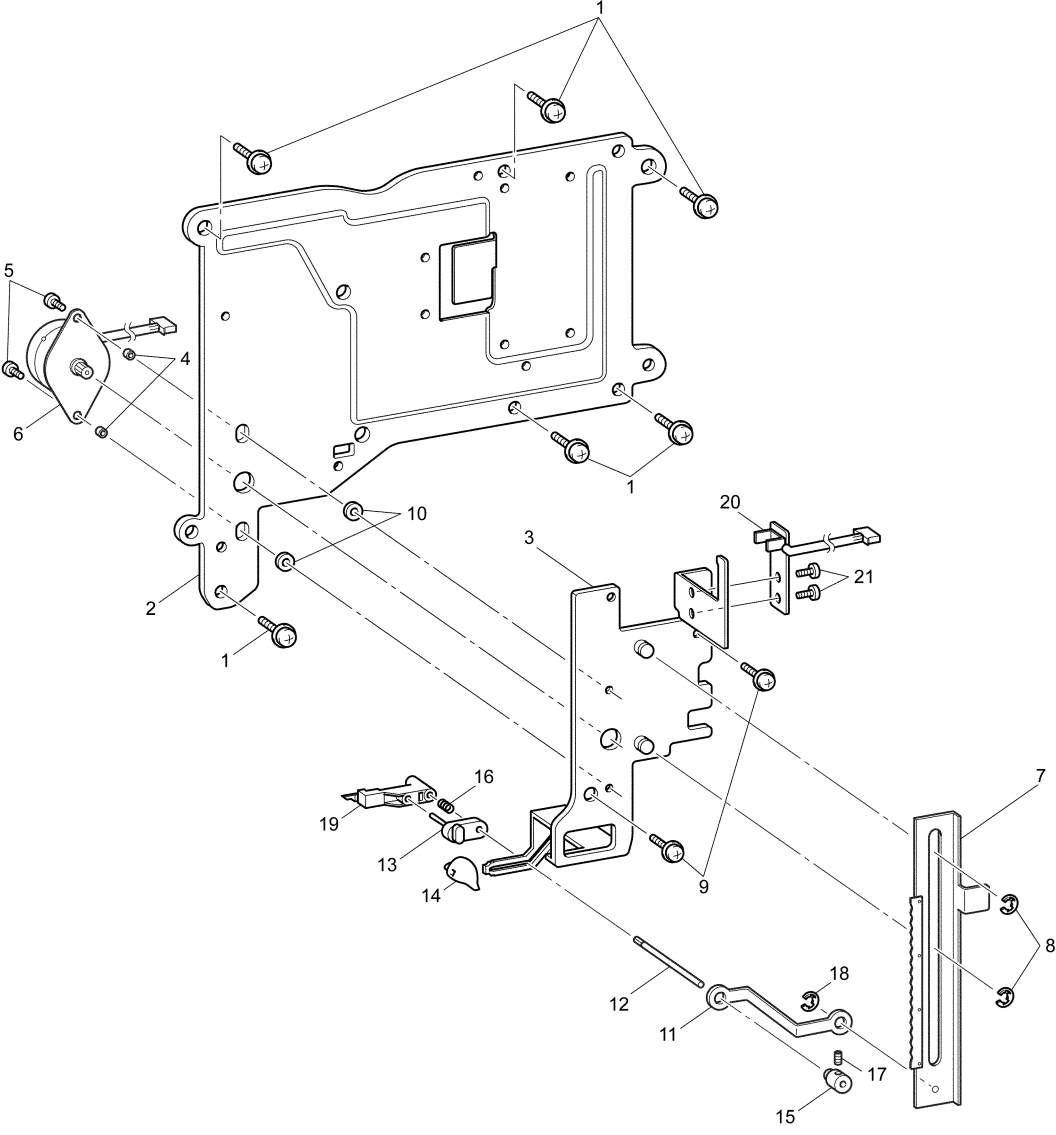
(3) NEEDLE BAR MECHANISM

No.	CODE	NAME	REMARKS
57	X59915021	SPRING WASHER	
58	048030346	RETAINING RING E3	
59	XE7863001	CMR HOLDER LR	
60	XE7849001	CMR HOLDER BF ASSY	
61	XE4060101	CMR COVER	
62	XE4062001	CMR COVER CAP	
63	XE5161001	CAMERA MODULE SUPPLY ASSY	
64	XE7935001	CAMERA RELAY PCB ASSY:CAMERA	
65	XE7939001	LEAD WIRE ASSY:CAMERA RELAY	
66	XE7865001	N.BAR CASE CABLE HOLDER L	
67	XE7866001	N.BAR CASE CABLE HOLDER T	
68	XE7905001	CMR RELAY PCB INSULATING SHEET	
69	XE7899001	NEEDLE BAR CAP	
70	060400816	SCREW BIND M4X8	
71	XE8231001	THREAD HOLDER BASE ASSY	
72	060300416	SCREW BIND M3X4	
73	XE8079001	NEEDLE THREAD PRESSER PLATE	
74	XC5962051	SPRING	
75	048015346	RETAINING RING E1.5	
76	XE8081001	LED HOLDER	
77	XE8082001	LED COVER	
78	XE8781001	LED PCB SUPPLY ASSY	
79	XE7951001	LED INSULATINGSHEET PR1000	
80	XE6263002	LED UPPER COVER	
81	XE8083001	LED COVER CAMERA	
82	XE7036001	LED PCB SUPPLY ASSY	
83	XE6208001	LED INSULATINGSHEET	
84	XE7952001	LEAD WIRE ASSY:LED1 PR1000	
85	XE7953001	LEAD WIRE ASSY:LED2 PR1000	
86	XE8085001	CUTTER COVER	
87	X80321001	NT LOWER THREAD CUTTER	
88	0A5300606	SCREW PAN (S/P WASHER) M3X6	
89	060300416	SCREW BIND M3X4	
90	060300616	SCREW BIND M3X6	
91	X59629051	TAPTITE BIND B M3X10	
92	XC6055051	SCREW, BIND M3X3	
93	060400616	SCREW BIND M4X6	
94	0A4401006	SCREW PAN (S/P WASHER) M4X10	
95	XE7911001	BOLT SOCKET(S/P WASHER)M3X6	
96	060400516	SCREW BIND M4X5	

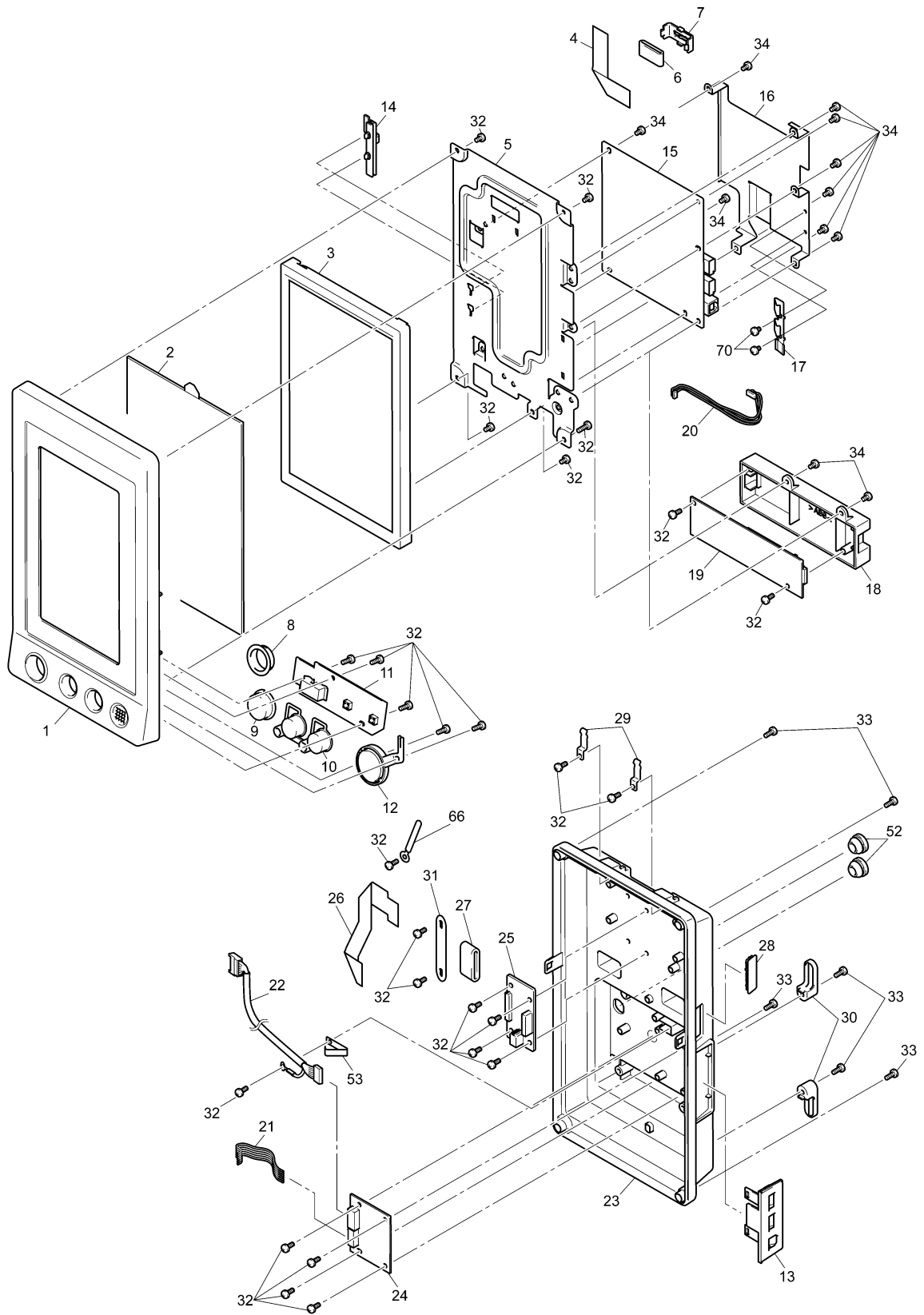
(4) NEEDLE CHANGER UNIT



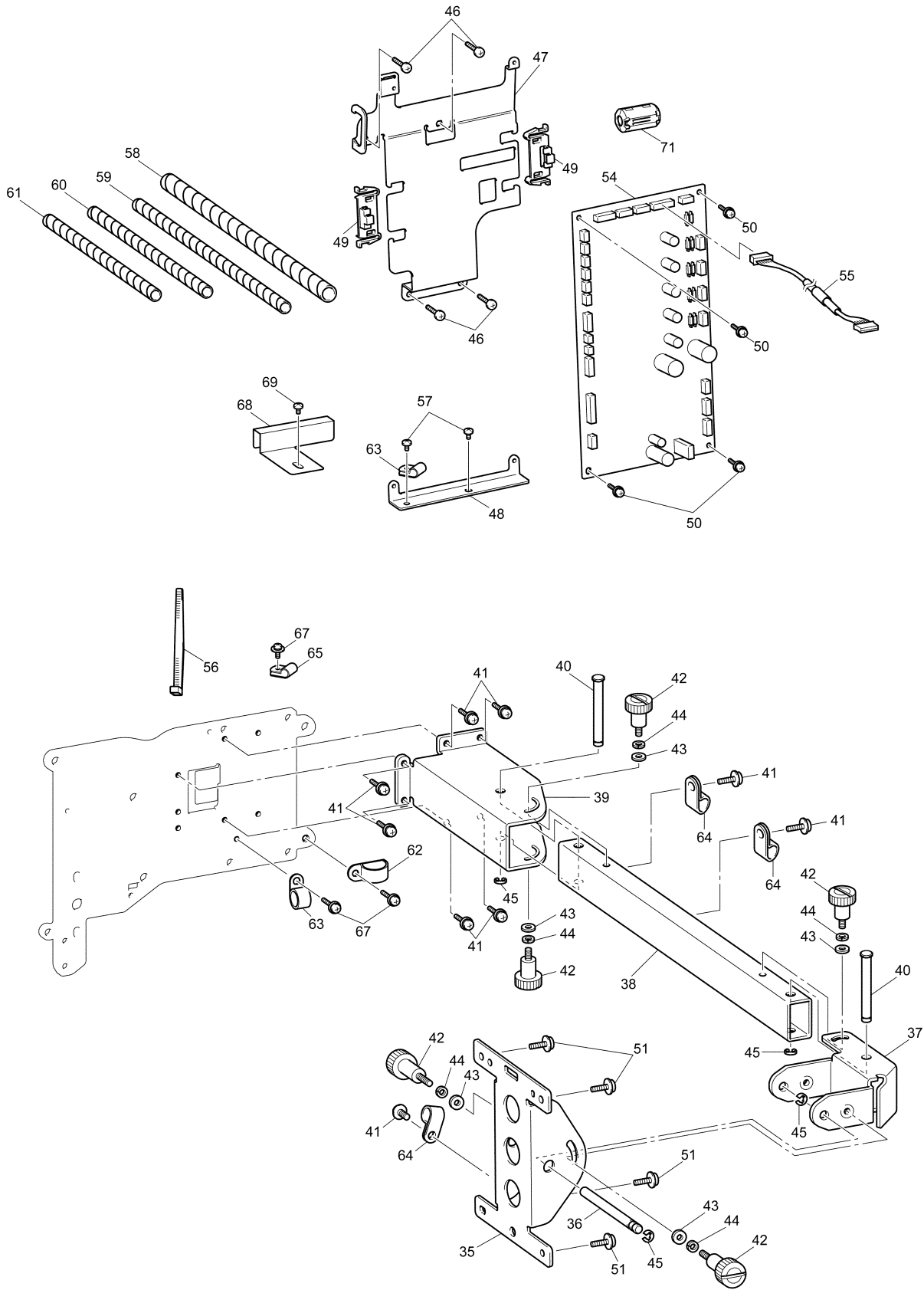
(5) NEEDLE THREADING MECHANISM



(6) ELECTRIC PARTS



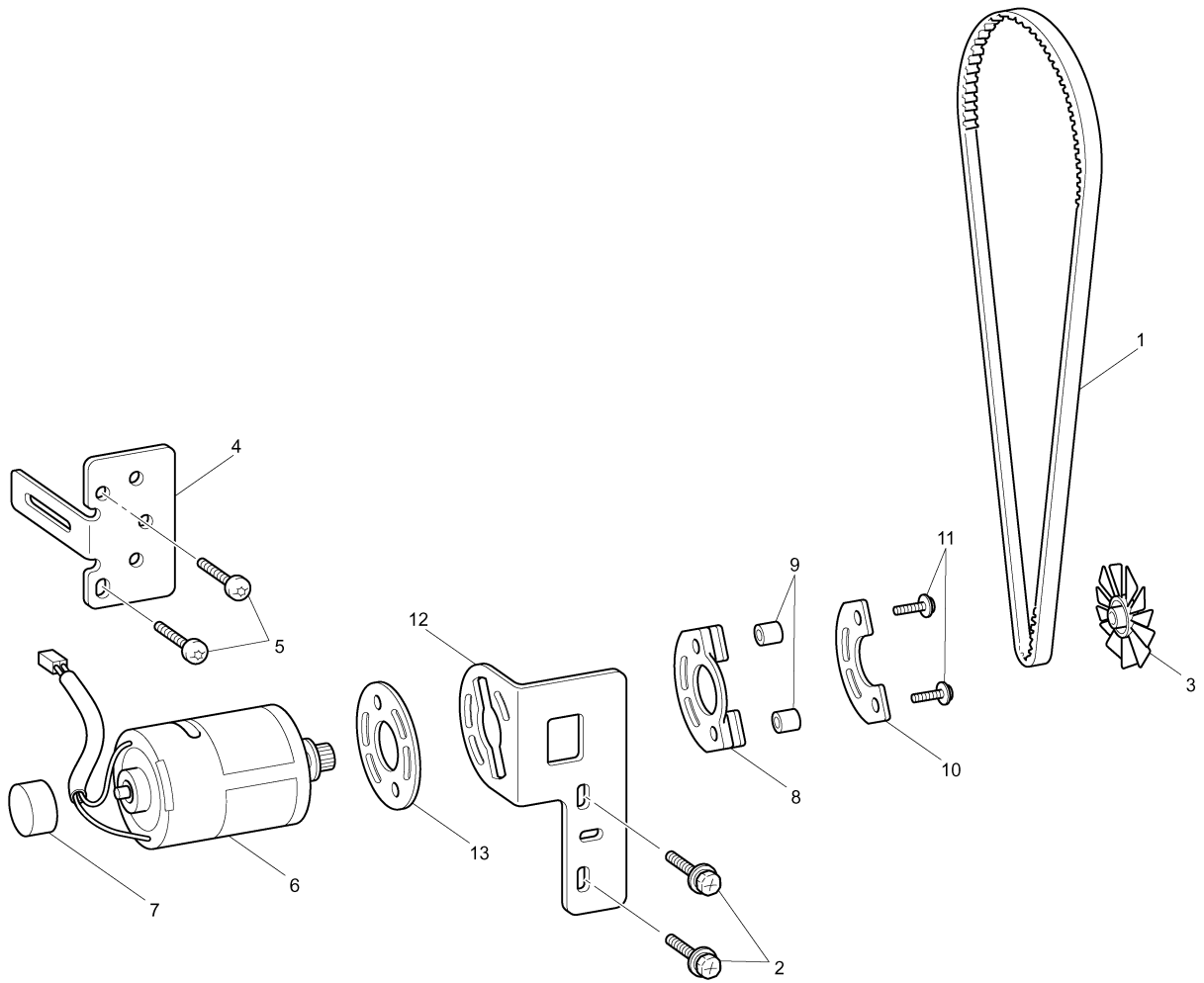
(6) ELECTRIC PARTS



(6) ELECTRIC PARTS

No.	CODE	NAME	REMARKS	No.	CODE	NAME	REMARKS
1	XE6355002	PANEL FRONT COVER BADGE ASSY		44	028040246	WASHER, SPRING 2-4	
2	XE6294001	TOUCH PANEL: TP-3686S3F0		45	048060346	RETAINING RING, E6	
3	XE5138101	LCD SUPPLY ASSY US (USA)		46	X57908052	TAPTITE, BIND S M4X10	
	XE5247101	LCD SUPPLY ASSY (OTHER)		47	XE8102001	BOARD HOLDER U	
4	XE4372001	FLEXIBLE FLAT CABLE: SML2CD-40		48	XE8103001	BOARD HOLDER D	
5	XE6228101	PCB BASE PLATE	1000024781	49	XE8104001	PCB SUPPORTER	
6	XE5040001	FERRITE CORE: FSRC250120RT000T		50	XC7564051	SCREW, PAN (S/P WASHER) M3X6	
7	XE6229001	FERRITE HOLDER		51	087411416	TAPTITE, CUP B M4X14	
8	XE6230001	SS BUTTON GUIDE		52	XC7233051	CORD BUSHING 5P-4	
9	XE6232101	SS BUTTON		53	XE6247001	GROUND SPRING	
10	XE6234002	OPERATION BUTTON		54	XE8783201	MAIN PCB SUPPLY ASSY	1000025706
11	XE6149001	SS PCB ASSY		55	XE7938001	LEAD WIRE ASSY: HEAD PR1000	
12	XE6236001	SPEAKER SET		56	X53169050	BAND	
13	XE6238002	USB COVER		57	060400816	SCREW BIND M4X8	
14	XE6240001	BOARD SUPPORTER		58	XC5069051	SPIRAL TUBE A	
15	XE8782001	PANEL PCB SUPPLY ASSY		59	XC5073051	SPIRAL TUBE B	
16	XE6241001	PANEL PCB CASE		60	XC5078051	SPIRAL TUBE C	
17	XE5267001	GROUND PLATE USB		61	XC6407051	SPIRAL TUBE D	
18	XE3939001	INVERTER COVER		62	XZ0201051	CORD CLAMP: WL-5/8	
19	XE7551001	INVERTER: INV-05C06521BT		63	XC5243051	CORD CLAMP: NK-5N	
20	XE4345001	LEAD WIRE ASSY: X1 INVERTER		64	XA8837052	CORD CLAMP	
21	XE6156001	LEAD WIRE ASSY COM-PANEL		65	S10243000	CORD HOLDER, NK-3N	
22	XE8183001	LEAD WIRE ASSY PANEL-MAIN		66	137947001	CLIP	
23	XE8243101	PANEL REAR COVER		67	0A5401005	SCREW, PAN (S/P WASHER) M4X10	
24	XE6151001	COMMUNICATION RELAY PCB ASSY		68	XC5157051	PROTECT SHEET	
25	XE7936001	CAMERA RELAY PCB ASSY:PANEL		69	060400516	SCREW, BIND M4X5	
26	XE8184001	FLEXIBLE FLAT CABLE:SML2CD-32		70	060300416	SCREW BIND M3X4	
27	XE5740001	FERRITE ASSY		71	XE8700001	FERRITE CORE:LF0930	
28	XE6244002	CARD COVER					
29	XE6246002	PEN HOLDER					
30	XD0761052	USB CORD HOLDER					
31	XE8383001	FERRAIT PRESSER					
32	136681051	TAPTITE, BIND B M3X8					
33	X59629051	TAPTITE, BIND B M3X10					
34	060300516	SCREW BIND M3X5					
35	XE6259001	PANEL HOLDER					
36	XC5747051	OPERATION PANEL HOLDER SHAFT					
37	XD0664051	OPERATION PANEL LEVER A					
38	XE8101001	OPERATION PANEL LEVER B					
39	XD0666151	OPERATION PANEL LEVER C					
40	XC5751051	OPERATION PANEL LEVER SHAFT					
41	0A5400806	SCREW, PAN (S/P WASHER) M4X8					
42	XC5553051	THUMB BOLT M4 L					
43	026040236	WASHER, PLAIN M 4					

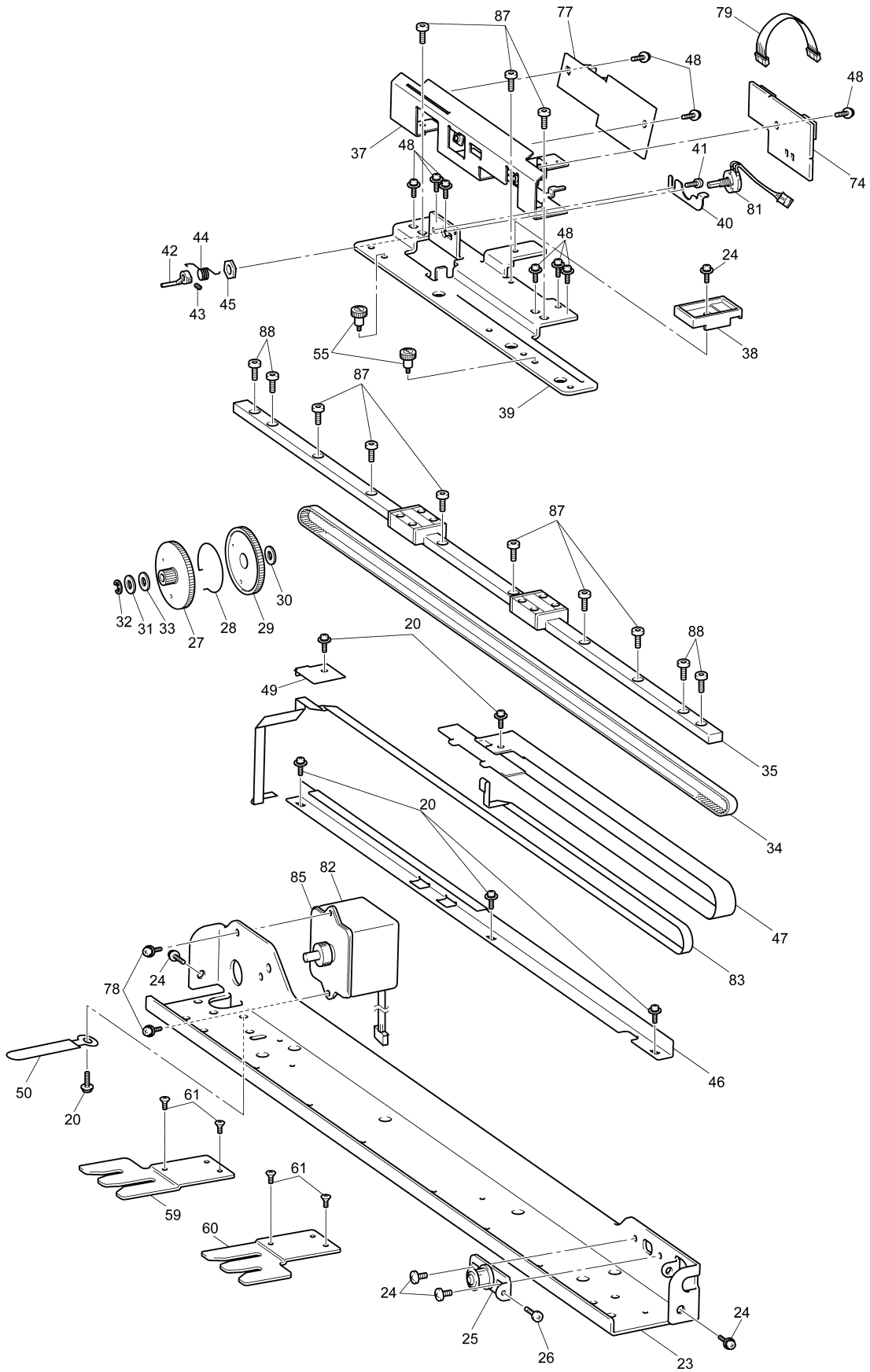
(7) MAIN MOTOR UNIT



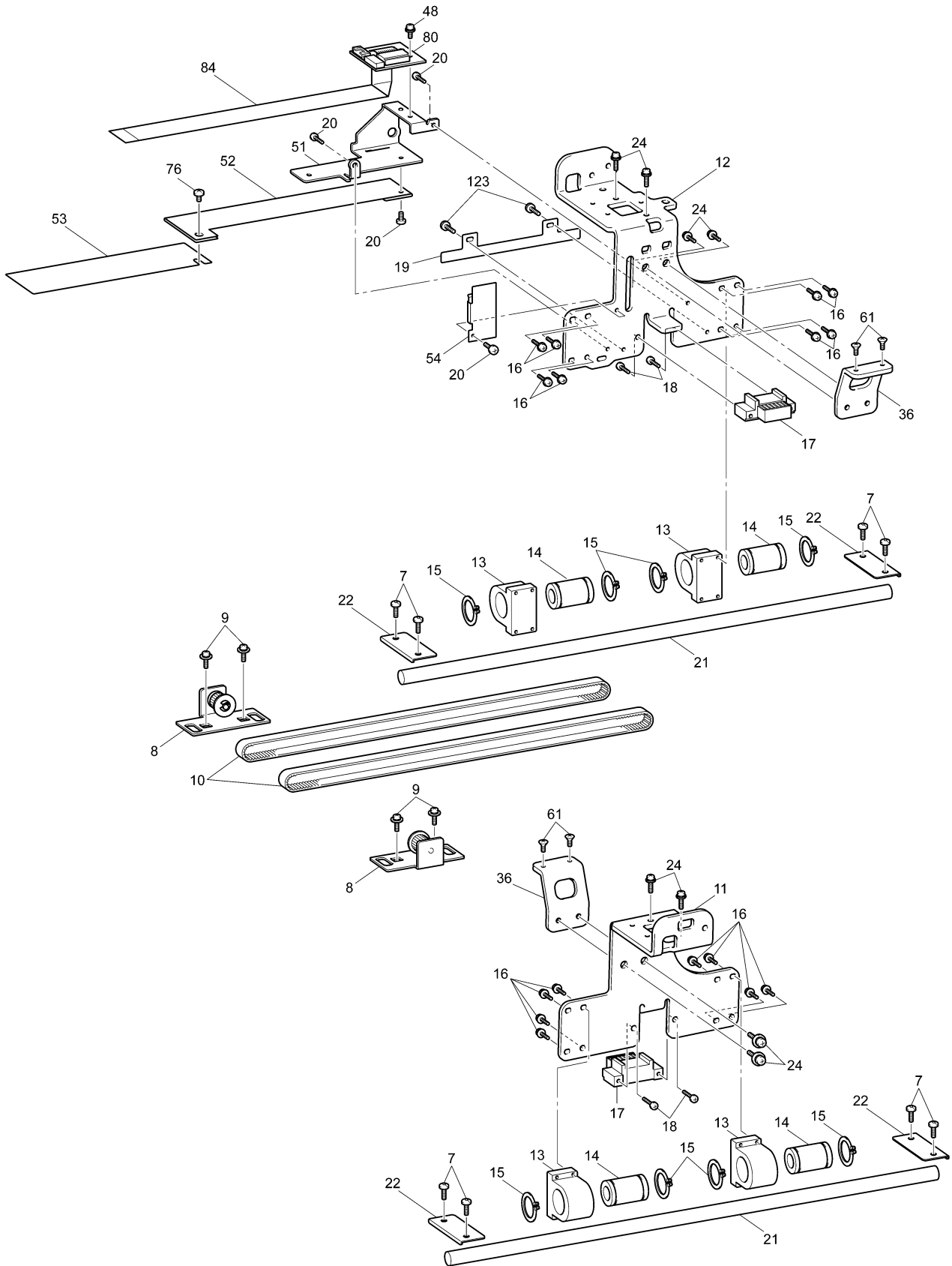
(7) MAIN MOTOR UNIT

No.	CODE	NAME	REMARKS
1	XA9644050	T BELT	
2	XA8474051	UPSET 4X12 DB	1000026355
3	XA9652150	MOTOR FAN	
4	XC5764051	MOTOR HOLDER BASE	
5	X57908052	TAPTITE, BIND S M4X10	
6	XE8185001	MAIN MOTOR ASSY	
7	XC6481051	MOTOR CAP	
8	XA9649050	FENDER RUBBER	
9	XC0443051	SPACER 4X7	
10	XA9650051	MOTOR SPACER PRESSER	
11	052401605	SCREW, PAN (S/P WASHER) M4X16	
12	XC5762051	MOTOR HOLDER	
13	XC5763051	MOTOR HOLDER SPACER	

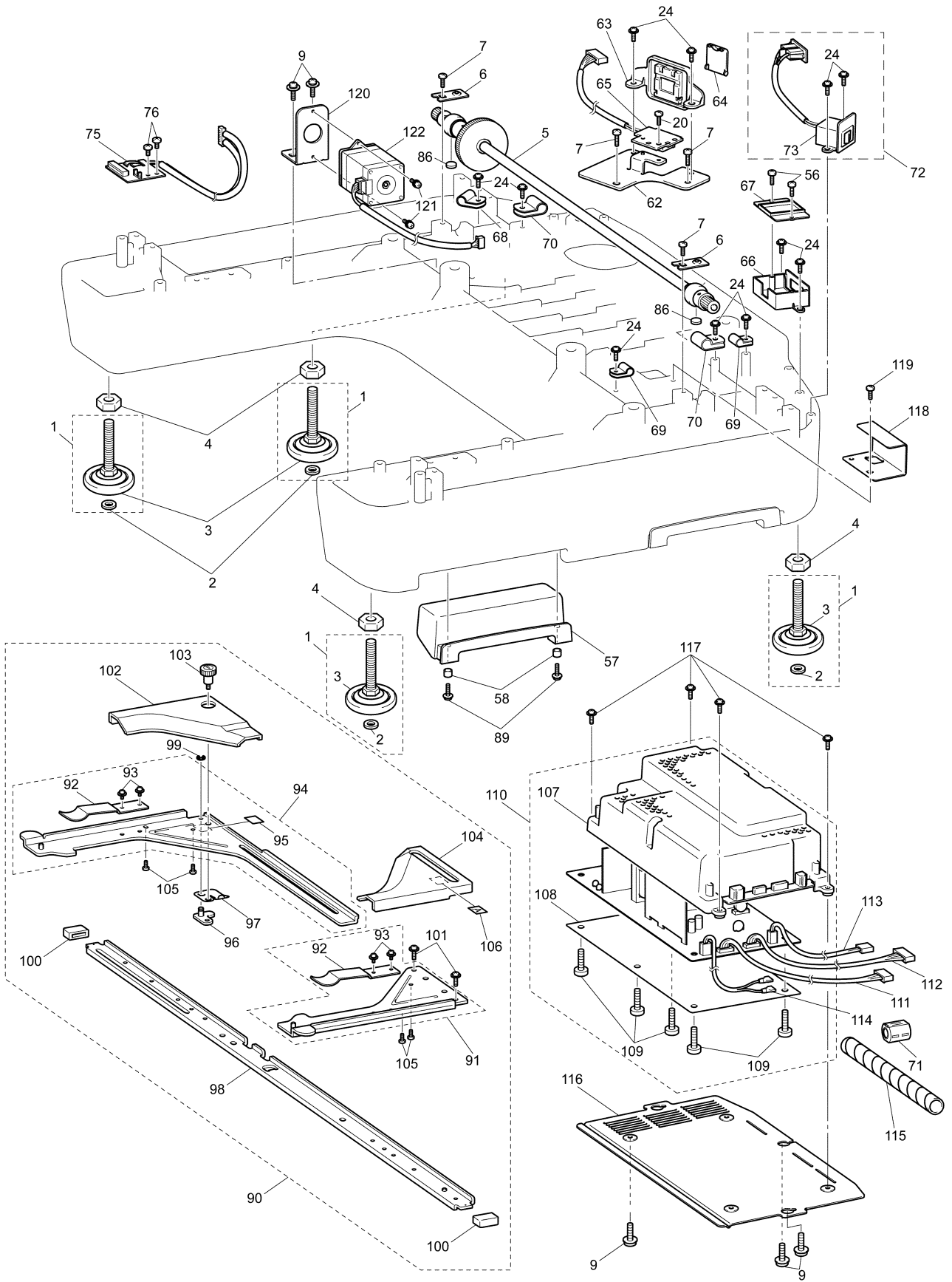
(8) XYCARRIAGE MECHANISM



(8) XYCARRIAGE MECHANISM



(8) XYCARRIAGE MECHANISM



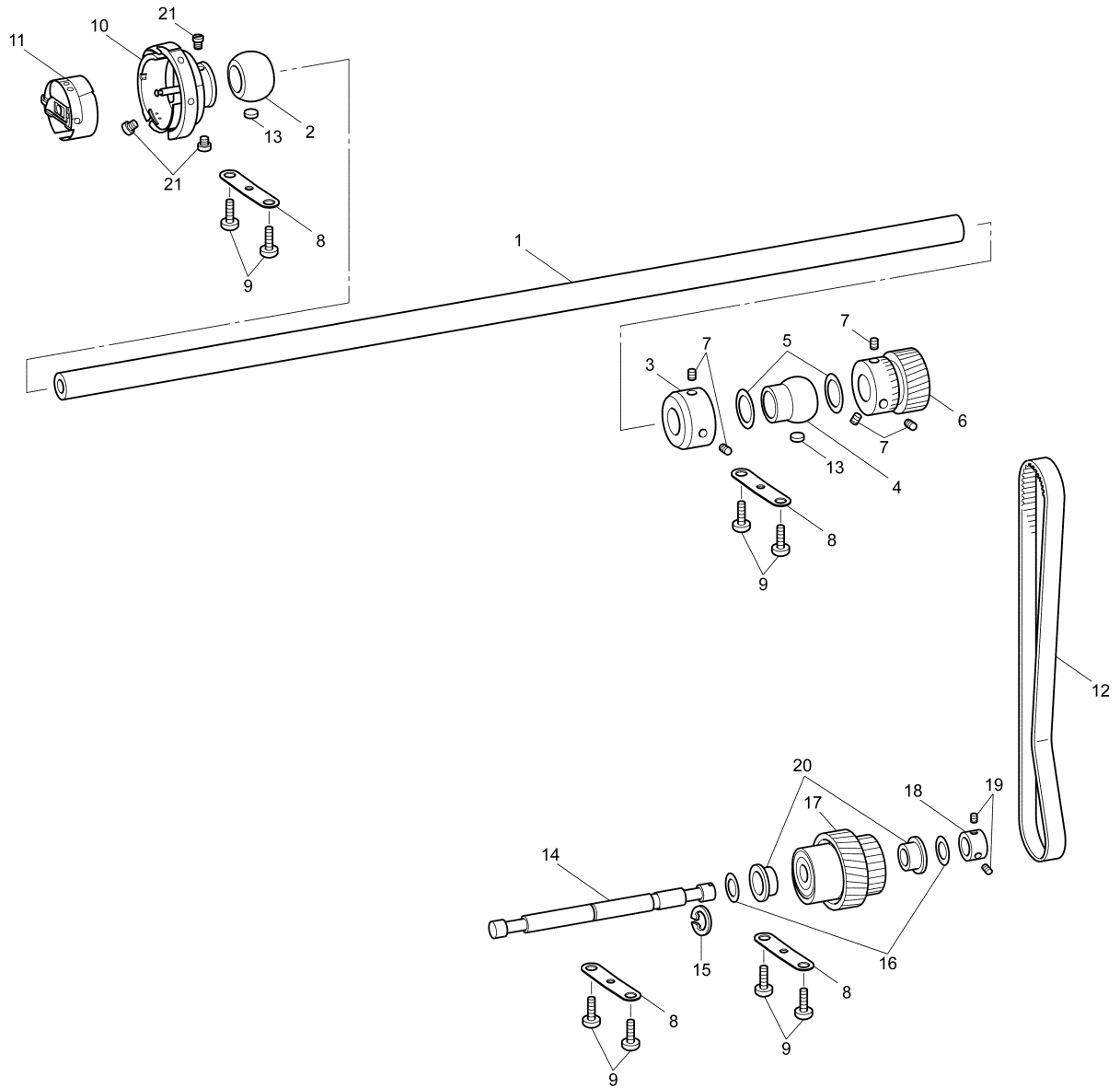
(8) XYCARRIAGE MECHANISM

No.	CODE	NAME	REMARKS	No.	CODE	NAME	REMARKS
1	XD0747051	ADJUST BOLT M8		45	X52569001	NUT	
2	XD0751051	WASHER		46	XE7134001	X SENSOR DOG	
3	XD0752051	RUBBER CUSHION		47	XE7354001	X CABLE FIXING SHEET L	
4	021080206	NUT, 2 M8		48	XC7564051	SCREW, PAN (S/P WASHER) M3X6	
5	XC5767151	Y DRIVING SHAFT ASSY		49	XE7355001	X CABLE FIXING SHEET D	
6	X52478051	BUSHING PRESSER		50	T31049001	COATING CLIP CS-6	
7	X57908052	TAPTITE, BIND S M4X10		51	XC5807051	PCB SET PLATE	
8	XC5771051	Y TENSION PLATE SET		52	XC5808051	Y CABLE PROTECTION SHEET A	
9	0A5401006	SCREW, PAN (S/P WASHER) M4X10		53	XC6121051	Y CABLE PROTECTION SHEET B	
10	XC5775051	T BELT B60S3M579		54	XC5809151	CODE GRIP	
11	XE7124001	Y CARRIAGE R		55	XC5817051	SCREW, KNOB M4S	
12	XE7125001	Y CARRIAGE L		56	X59629051	TAPTITE, BIND B M3X10	
13	XC5779051	BEARING CASE Y		57	XC5834052	HANDLE	
14	XC5780051	BEARING 10, LINER		58	XC5835051	BUSH 4X4	
15	048190142	RETAINING RING, EXTERNAL C19		59	XE2319001	CYLINDER CONNECTION L	
16	0A4301006	SCREW, PAN (S/P WASHER) M3X10		60	XE2320001	CYLINDER CONNECTION R	
17	XC5781151	Y BELT PRESSER	1000022757	61	061300616	SCREW, FLAT M3X6	
18	085311416	TAPTITE, BIND P M3X14		62	XE8122001	EX CONNECTOR HOLDER	
19	XC5782051	Y SENSOR DOG		63	XE8123001	EX CONNECTOR HOLDER COVER	
20	060300416	SCREW, BIND M3X4		64	XE8124001	EX CONNECTOR HOLDER COVER LID	
21	XC5783051	Y GUIDE SHAFT		65	XE8088001	EXTENSION IF PCB ASSY:PR L	
22	XC5784151	FIXED Y SHAFT PLATE		66	XC5839152	INLET COVER	
23	XE7127001	FEED FRAME 360 ASSY		67	XC6072051	INLET COVER LID	
24	0A5400806	SCREW, PAN (S/P WASHER) M4X8		68	XA8837051	CORD CLAMP	
25	XE7129001	TENSION PULLEY ASSY		69	XA7678051	CORD CRAMP	
26	052301606	SCREW, PAN (S/P WASHER) M3X16		70	XE8308001	CORD CLAMP:WL-1/2	
27	XC3227001	Y DRIVING GEAR PULLEY A		71	XE7045001	FERRITE CORE: LF0930A	
28	XC3194051	SPRING FOR GEAR		72	XE8187001	POWER SWITCH ASSY 120 (USA, CAN)	
29	XC3192001	Y DRIVING GEAR PULLEY B			XE8188001	POWER SWITCH ASSY 200 (OTHER)	
30	X50546050	WASHER, THRUST		73	XC5840053	SWITCH HOLDER	
31	XE0863051	WASHER, M6		74	XE7946001	X AREA PCB ASSY	
32	048040343	RETAINING RING, E4		75	XE7947001	Y AREA PCB ASSY	
33	X53838051	WASHER		76	060400616	SCREW BIND M4X6	
34	XE7154001	T BELT B60S910		77	XE7945001	HOOP PCB ASSY	
35	XE7153001	LM GUIDE SRS9M		78	XA8390051	SCREW	
36	XE7126001	Y CARRIAGE SUB PLATE		79	XE7942001	LEAD WIRE ASSY:X-HOOP	
37	XE7357001	X PCB PLATE		80	XE7948001	CONNECT PCB ASSY	
38	XC5798051	X BELT PRESSER		81	XC6177051	ASSY: HOOP SENSOR	
39	XE7132001	X CARRIAGE A SUB ASSY		82	XE8189001	X MOTOR ASSY	
40	XE7362001	PT METER PLATE B		83	XE7941001	FLEXIBLE FLAT CABLE:SML2CD-CX	
41	060301216	SCREW BIND M3X12		84	XE7940001	FLEXIBLE FLAT CABLE:SML2CD-YC	
42	XC5801051	HOOP LEVER		85	XE7360001	MOTOR SPACER	
43	012300632	SET SCREW, SOCKET (FT) M3X6		86	XC3183051	FELT	
44	XC5802051	SPRING		87	018300632	BOLT SOCKET M3X6	1000021758

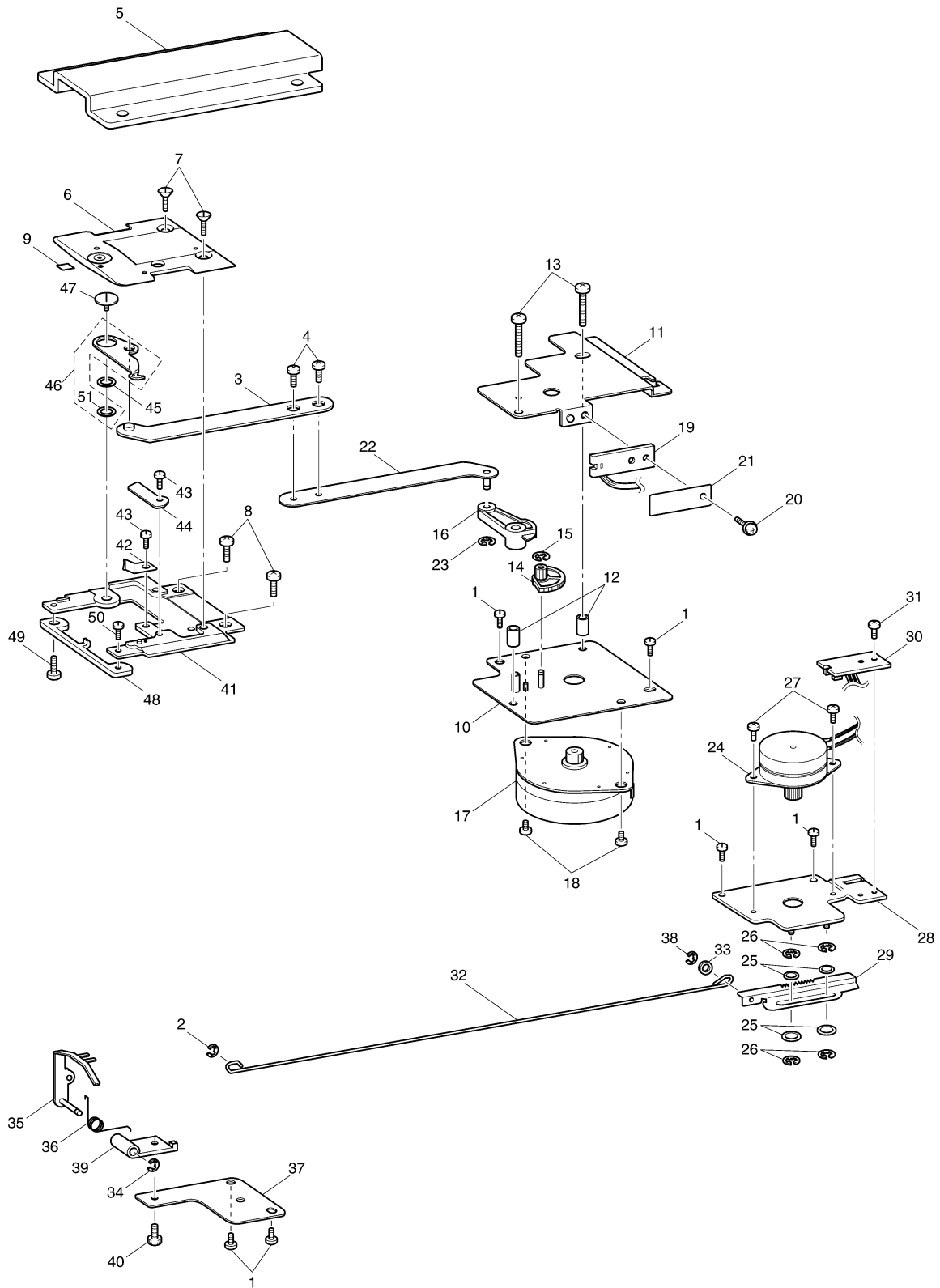
(8) XYCARRIAGE MECHANISM

No.	CODE	NAME	REMARKS
88	018300836	BOLT SOCKET M3X8	
89	XC7077051	SCREW 3X10	
90	XE7374001	TUBULAR ROUND ARMA SUPPLY ASSY	
91	XE7399001	TUBLAR ROUND ARM RA SET	
92	XC7076051	SPRING, PLATE	
93	XC7644051	SCREW, PAM (S/P WASHER) M3X5	
94	XE7137001	TUBLAR ROUND ARM L SET	
95	XE7375001	SEAL	
96	XE7140001	GUIDE PLATE ASSY	
97	XE7143101	SPRING PLATE	
98	XE7145001	HOOP STAY A	
99	048030346	RETAINING RING, E3	
100	XC5816051	RUBBER	
101	0A5400806	SCREW, PAN (S/P WASHER) M4X8	
102	XE7146001	TUBULAR ARM COVER L2	
103	XC5553051	THUMB BOLT M4 L	
104	XE7174001	TUBULAR ARM COVER R2	
105	136681051	TAPTITE, BIND B M3X8	
106	XE7414001	SEAL A	
107	XE7367001	POWER UNIT COVER	
108	XE7368001	INSULATION PLATE	
109	085311415	TAPTITE, BIND B M3X14	
110	XE8784201	POWER PCB SUPPLY ASSY: 100 (USA, CAN)	1000025751
	XE8785101	POWER PCB SUPPLY ASSY: 200 (OTHER)	1000023839
111	XE8192001	LEAD WIRE ASSY: POWER PW	
112	XE8193001	LEAD WIRE ASSY: POWER SIGNAL	
113	XE8194001	LEAD WIRE ASSY: POWER MOTOR	
114	XC6209051	LEAD WIRE ASSY: POWER	
115	XE8197001	SPIRAL TUBE	
116	XE7369001	POWER UNIT STAY	
117	0A5401206	SCREW, PAN (S/P WASHER) M4X12	
118	XE7406001	POWER UNIT CODE GUIDE	
119	0A5400806	SCREW PAN (S/P WASHER) M4X8	
120	XC5810051	Y MOTOR STAY	
121	0A4300605	SCREW, PAN (S/P WASHER) M3X6	
122	XC6183051	ASSY: Y MOTOR	
123	018300532	BOLT SOCKET M3X5	1000021758

(9) LOWER SHAFT MECHANISM



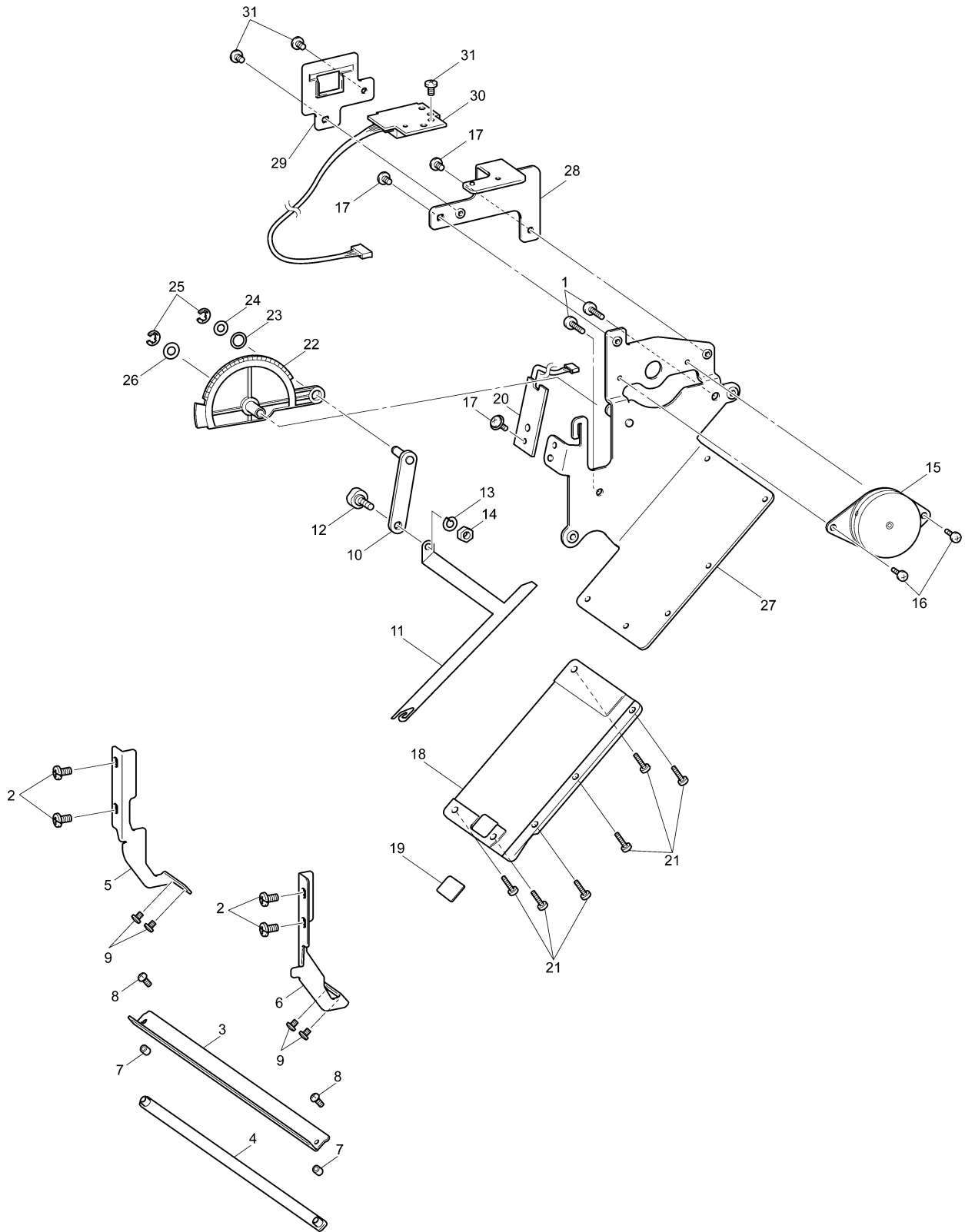
(10) THREAD CUTTING MECHANISM



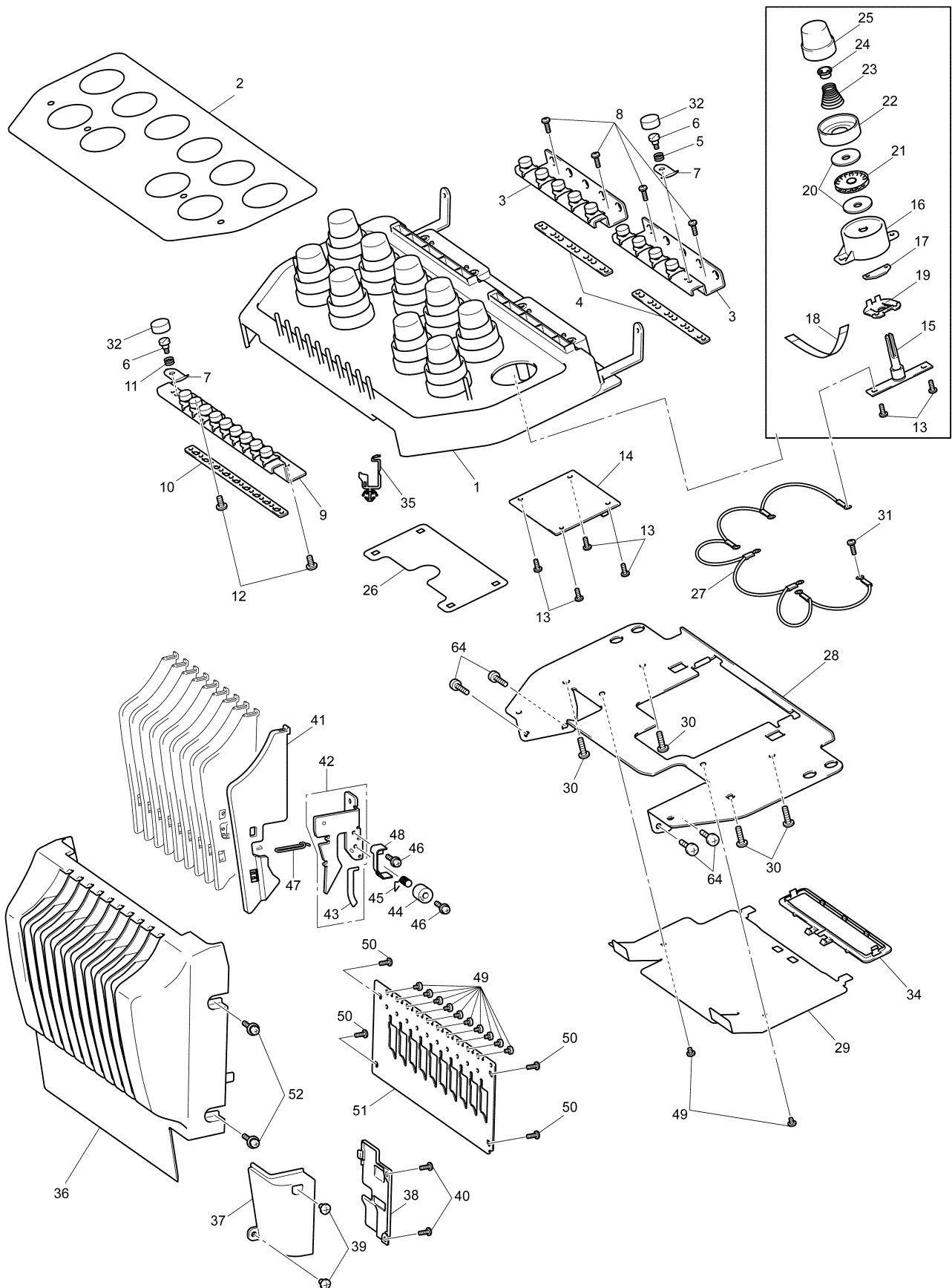
(10) THREAD CUTTING MECHANISM

No.	CODE	NAME	REMARKS	No.	CODE	NAME	REMARKS
1	060400616	SCREW, BIND M4X6		45	S32476001	COLLAR, M-KNIFE	
2	048020346	RETAINING RING, E2		46	XC6908151	MOVABLE KNIFE SUPPLY ASSY	
3	XC5871051	CUTTER LINK ASSY		47	S32475001	SCREW, M4	
4	060300416	SCREW, BIND M3X4		48	XC5879051	ROTARY HOOK STOPPER	
5	XC5874051	BED COVER		49	018300636	BOLT, SOCKET M3X6	
6	XE1142001	NEEDLE PLATE		50	XC5881051	SCREW	
7	XC6404051	SCREW, FLAT M4		51	XE1845001	MOVABLE KNIFE SPACER	ADD
8	062400816	SCREW, PAN M4X8					
9	XC5984051	FELT					
10	XC5858051	CT MOTOR BRACKET ASSY					
11	XC5863051	CUTTER BRACKET					
12	XC5864051	COLLAR					
13	000401605	SCREW, BIND M4X16					
14	XC5865051	INITIAL GEAR					
15	048020346	RETAINING RING, E2					
16	XC5866051	LEVER GEAR					
17	XC6184051	ASSY: TH CUTTER MOTOR					
18	060300416	SCREW, BIND M3X4					
19	XC6152051	ASSY: TH CUTTER SENSOR					
20	XC7564051	SCREW, PAN (S/P WASHER) M3X6					
21	XE7791001	INSULATION SHEET					
22	XC5868051	LEVER LINK ASSY					
23	048040346	RETAINING RING, E4					
24	XC6187051	ASSY: PICKER MOTOR					
25	026030136	WASHER, PLAIN S 3					
26	048020346	RETAINING RING, E2					
27	060300416	SCREW, BIND M3X4					
28	XC5510051	PK MOTOR BRACKET ASSY					
29	XC5513151	RACK ASSY					
30	XC6161051	ASSY: PICKER SENSOR					
31	XC7564051	SCREW, PAN (S/P WASHER) M3X6					
32	XC5856051	PICKER LINK					
33	026030136	WASHER, PLAIN S 3					
34	048020346	RETAINING RING, E2					
35	XC5849151	PICKER ASSY					
36	XC5853051	PICKER SPRING					
37	XC5854051	PICKER BRACKET					
38	048020343	RETAINING RING, E2					
39	XC6634151	PICKER HOLDER					
40	018300532	BOLT, SOCKET M3X5					
41	XC5876051	NEEDLE PLATE BASE ASSY					
42	XC6230051	THREAD HOLDING PLATE					
43	XC5881051	SCREW					
44	XC5882051	FIXED KNIFE					

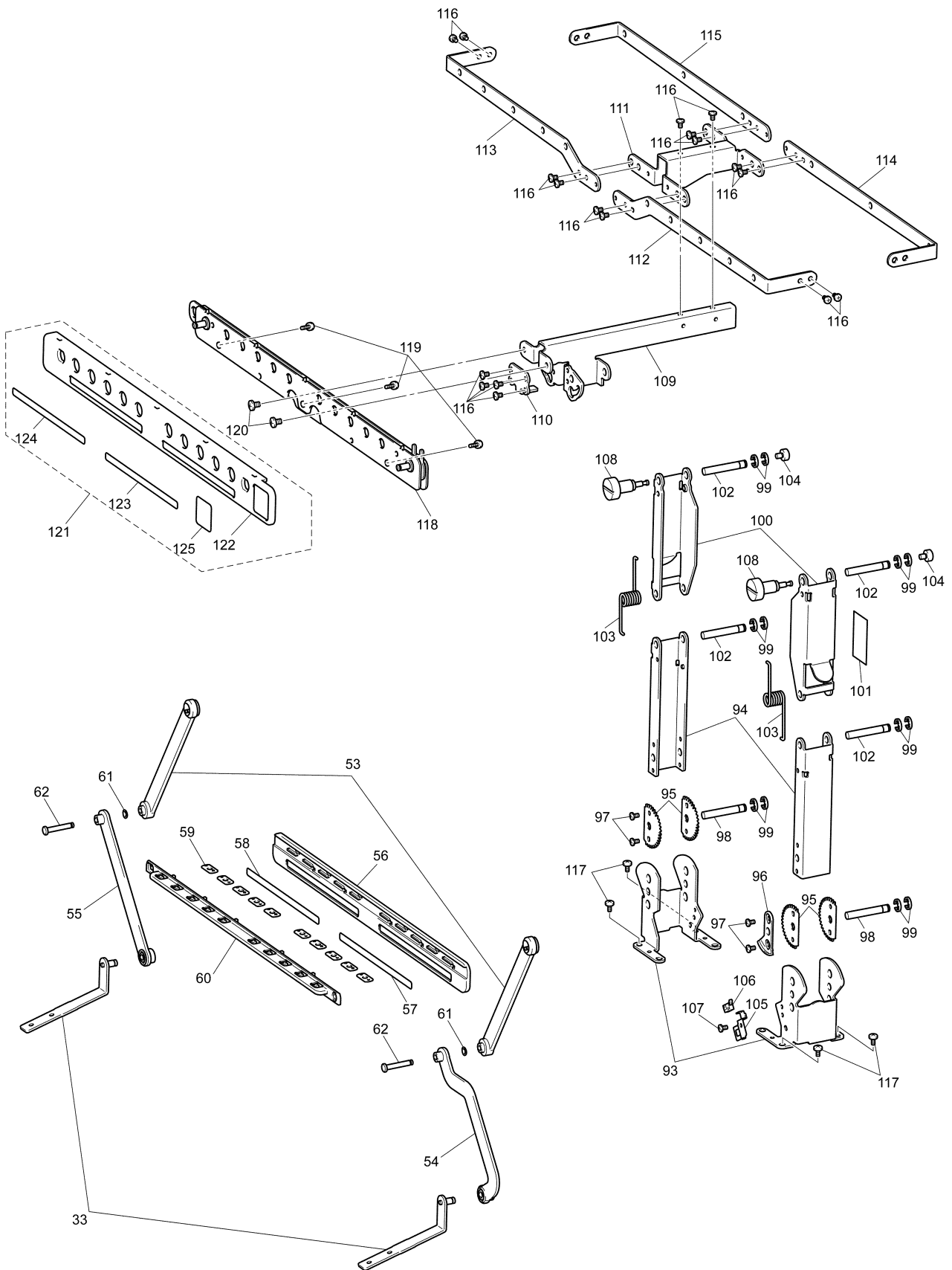
(11) WIPER MECHANISM



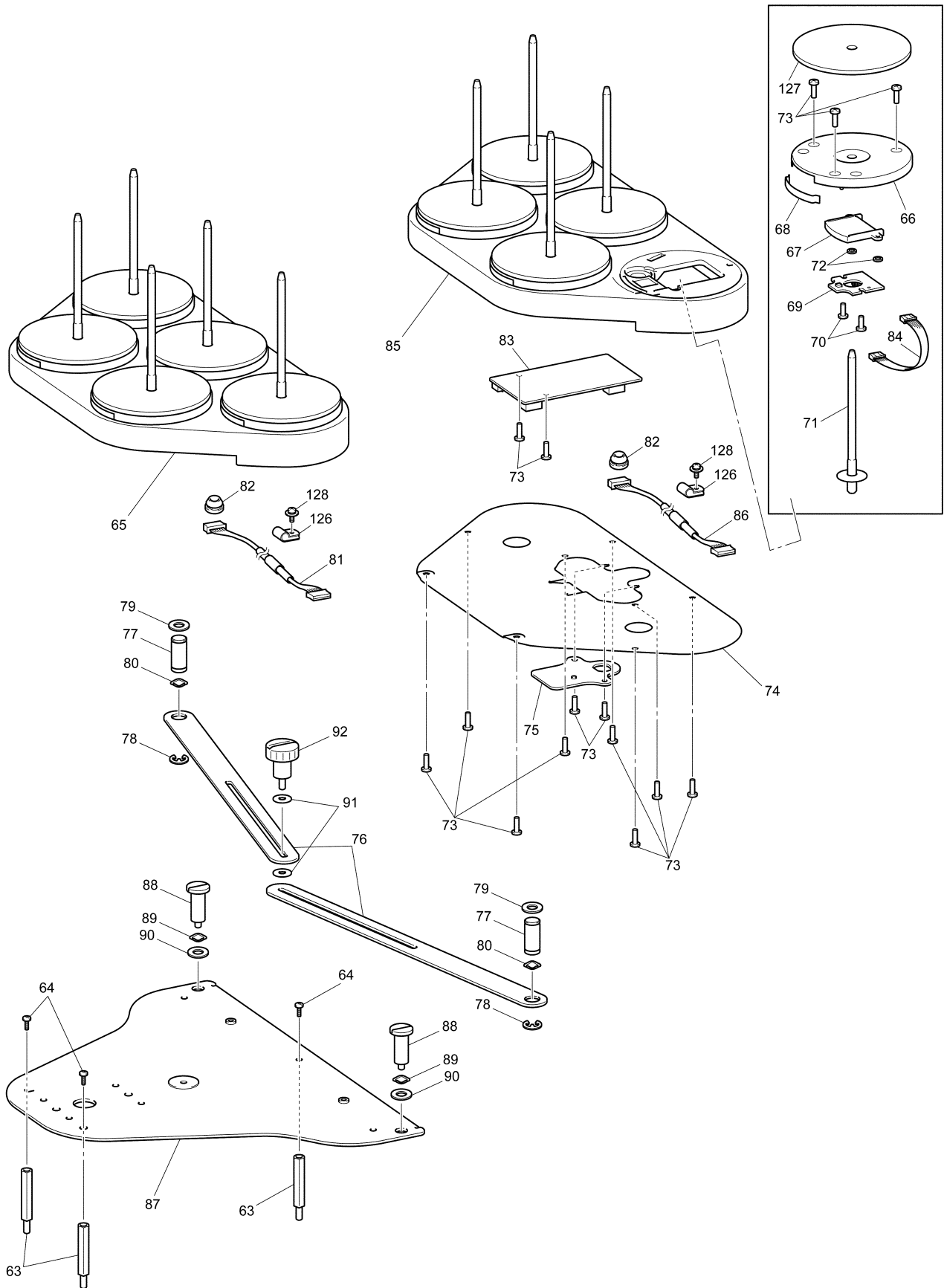
(12) UPPER THREADING MECHANISM



(12) UPPER THREADING MECHANISM



(12) UPPER THREADING MECHANISM



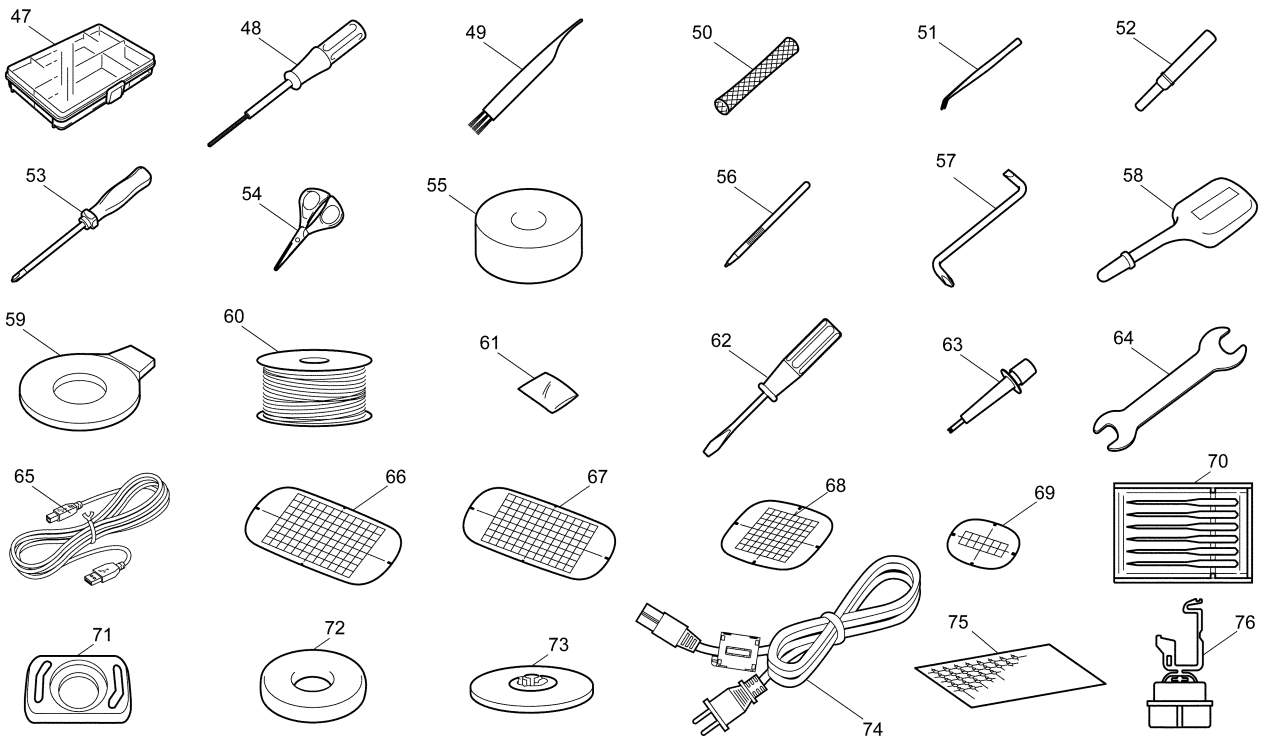
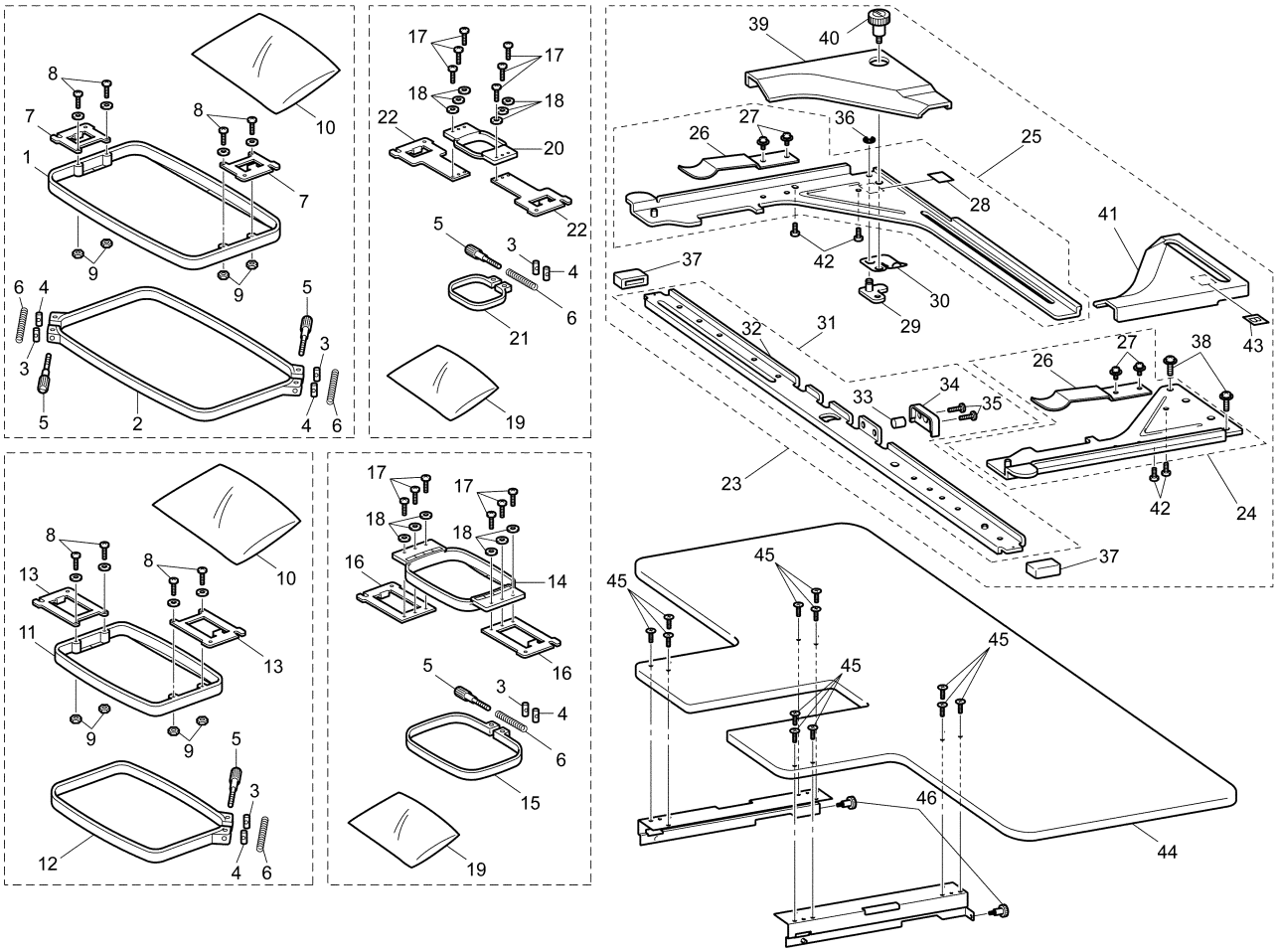
(12) UPPER THREADING MECHANISM

No.	CODE	NAME	REMARKS	No.	CODE	NAME	REMARKS
1	XE8110001	TENSION BASE		45	XC5926051	THREAD TAKE-UP SPRING	
2	XE8136001	TENSION BASE SHEET		46	0A4300606	SCREW, PAN (S/P WASHER) M3X6	
3	XE8020001	UPPER THREAD EYELET BASE		47	XC5929051	THREAD GUIDE WIRE	
4	XE8021001	U THREAD EYELET BASE PLATE		48	XC6234051	THREAD GUARD	
5	XC6231051	THREAD GUIDE COMPRESSION		49	060300416	SCREW, BIND M3X4	
6	XC5906051	THREAD GUIDE TENSION AXIS		50	085311016	TAPTITE BIND B M3X10	
7	XC5907051	THREAD GUIDE TENSION PLATE		51	XE7883001	THREAD GUIDE BACK COVER	
8	X59629051	TAPTITE,BIND B M3X10		52	0A5401006	SCREW PAN (S/P WASHER) M4X10	
9	XE8112001	INNER THREAD EYELET BASE		53	XE8027101	THREAD LENGTH KEEP LINK U	1000022161
10	XE8113001	I THREAD EYELET BASE PLATE		54	XE8028001	THREAD LENGTH KEEP LINK L R	
11	XZ0198051	BOBBIN WINDER COMPRESSION		55	XE8029001	THREAD LENGTH KEEP LINK L L	
12	085410816	TAPTITE, BIND B M4X8		56	XE8030001	THREAD LENGTH GUIDE SUPPORT	
13	X59629051	TAPTITE, BIND B M3X10		57	XE8031001	T NUMBER INDICATION SEAL A	
14	XE7949001	HEAD PCB ASSY		58	XE8032001	T NUMBER INDICATION SEAL B	
15	XC5911151	THREAD TENSION BRACKET		59	XE8033001	THREAD LENGTH GUIDE	
16	XC5914153	THREAD QUANTITY SENSOR COVER		60	XE8034001	THREAD LENGTH GUIDE COVER	
17	XC6167051	ASSY: TH SENSOR		61	117851051	WASHER,SPRING	
18	XE7943001	FLEXIBLE FLAT CABLE:SML2CD-H		62	XE8035101	THREAD LENGTH GUIDE SHAFT	1000022161
19	XE8022001	THREAD QUANTITY SENSOR PRESSER		63	XE8036001	STUD	
20	S36299001	TENSION DISC FELT		64	060400816	SCREW, BIND M4X8	
21	XC7602000	ROTARY DISC ASSY B					
22	XC5915052	TENSION DISC PRESSER					
23	XC6232051	TENSION SPRING					
24	S30564000	WASHER					
25	XE8114002	TENSION NUT					
26	XE8115001	TENSION BASE SLIDER SHEET					
27	XE8226001	LEAD WIRE ASSY: HEAD EARTH					
28	XE8117001	TENSION BASE BRACKET					
29	XE8120001	BRACKET COVER					
30	085411416	TAPTITE, BIND B M4X14					
31	XC7564051	SCREW, PAN (S/P WASHER) M3X6					
32	XC5919053	TENSION AXIS CAP					
33	XE8023001	THREAD LENGTH KEEP SUPPORT ASS					
34	XE8121001	HEAD WIRE GUIDE					
35	XE8225001	CORD CLAMP:LWSM-0605					
36	XE7901001	TAKEUP LEVER COVER ASSY					
37	XE7903001	CMR HOOD					
38	XE7904001	CMR BACK HOOD					
39	060300616	SCREW BIND M3X6					
40	085310816	TAPTITE BIND B M3X8					
41	XC6001052	THREAD GUIDE COVER					
42	XC5921151	THREAD TAKE-UP BRACKET ASSY					
43	XC5925051	SPRING TAPE					
44	XC6463051	THREAD CATCHING SPRING CASE					

(12) UPPER THREADING MECHANISM

No.	CODE	NAME	REMARKS	No.	CODE	NAME	REMARKS
65	XE8400101	SPOOL STAND LED L	1000025964	109	XE8049001	ANTENNA SUPPORT PLATE	
66	XE7891001	SPOOL LED BASE		110	XE8050001	ANTENNA SUPPORT PLATE B	
67	XE7892001	SPOOL LED LIGHT GUIDE		111	XE8054001	ANTENNA A	
68	XE8077001	SPOOL LED SCREEN SHEET		112	XE8055001	ANTENNA B R	
69	XE7955001	SPOOLSTAND LED PCB ASSY: PR1000		113	XE8056001	ANTENNA B L	
70	136681051	TAPTITE, BIND B M3X8		114	XE8057001	ANTENNA C R	
71	XC5949051	SPOOL PIN		115	XE8058001	ANTENNA C L	
72	138334051	RETAINING RING, CS2		116	060300516	SCREW BIND M3X5	
73	085311016	TAPTITE BIND B M3X10		117	060401016	SCREW BIND M4X10	
74	XE7888001	SPOOL STAND BACK LID		118	XE8059001	THREAD BRAKE PLATE ASSY	
75	XE7889001	SPOOL STAND LID HATCH		119	060300616	SCREW BIND M3X6	
76	XE8039001	SPOOL STAND LINK		120	060400616	SCREW BIND M4X6	
77	XC5939051	SPOOL STAND STUD		121	XE8969001	T B PLATE C COVER ASSY	
78	048080343	RETAINING RING E8		122	XE8070001	THREAD BRAKE PLATE C COVER	
79	XA9677051	WASHER		123	XE8031001	T NUMBER INDICATION SEAL A	
80	XC5945051	SPRING WASHER		124	XE8032001	T NUMBER INDICATION SEAL B	
81	XE8199001	LEAD WIRE ASSY: SPOOL-MAINL		125	XE8071001	T BRAKE PLATE C COVER SEAL	
82	XC7233051	CORD BUSHING 5P-4		126	XE8920001	CORD CLAMP: WL-1/4	
83	XE7954001	SPOOLSTAND PCB ASSY: PR1000		127	XE7893001	SPOOL SPONGE	
84	XE8198001	LEAD WIRE ASSY: SPOOLSTAND LED		128	0A5400806	SCREW PAN (S/P WASHER) M4X8	
85	XE8399101	SPOOL STAND LED R	1000025964				
86	XE8201001	LEAD WIRE ASSY: SPOOL-MAINR					
87	XE8038001	SPOOL STAND BASE					
88	XC5943051	STUD SCREW					
89	XC5945051	SPRING WASHER					
90	XA9677051	WASHER					
91	XC5948051	SPACER					
92	XC5553051	THUMB BOLT M4 L					
93	XE8040001	ANTENNA BASE					
94	XE8041001	ANTENNA BRACE D					
95	XE8042001	ANTENNA BRACE D GEAR					
96	XE8043001	ANTENNA SWICH CONTACT					
97	060300616	SCREW BIND M3X6					
98	XE8044001	ANTENNA BASE SHAFT					
99	048050346	RETAINING RING E5					
100	XE8045001	ANTENNA BRACE					
101	XE8046001	ANTENNA BRACE SEAL					
102	XE8047001	ANTENNA BRACE SHAFT					
103	XE8048001	ANTENNA BRACE SPRING					
104	XE8051001	SCREW M4					
105	XE8053001	ANTENNA SWITCH HOLDER					
106	XE8203001	ANTENNA SWITCH ASSY					
107	060300516	SCREW BIND M3X5					
108	XE8052001	THUMB BOLT M4					

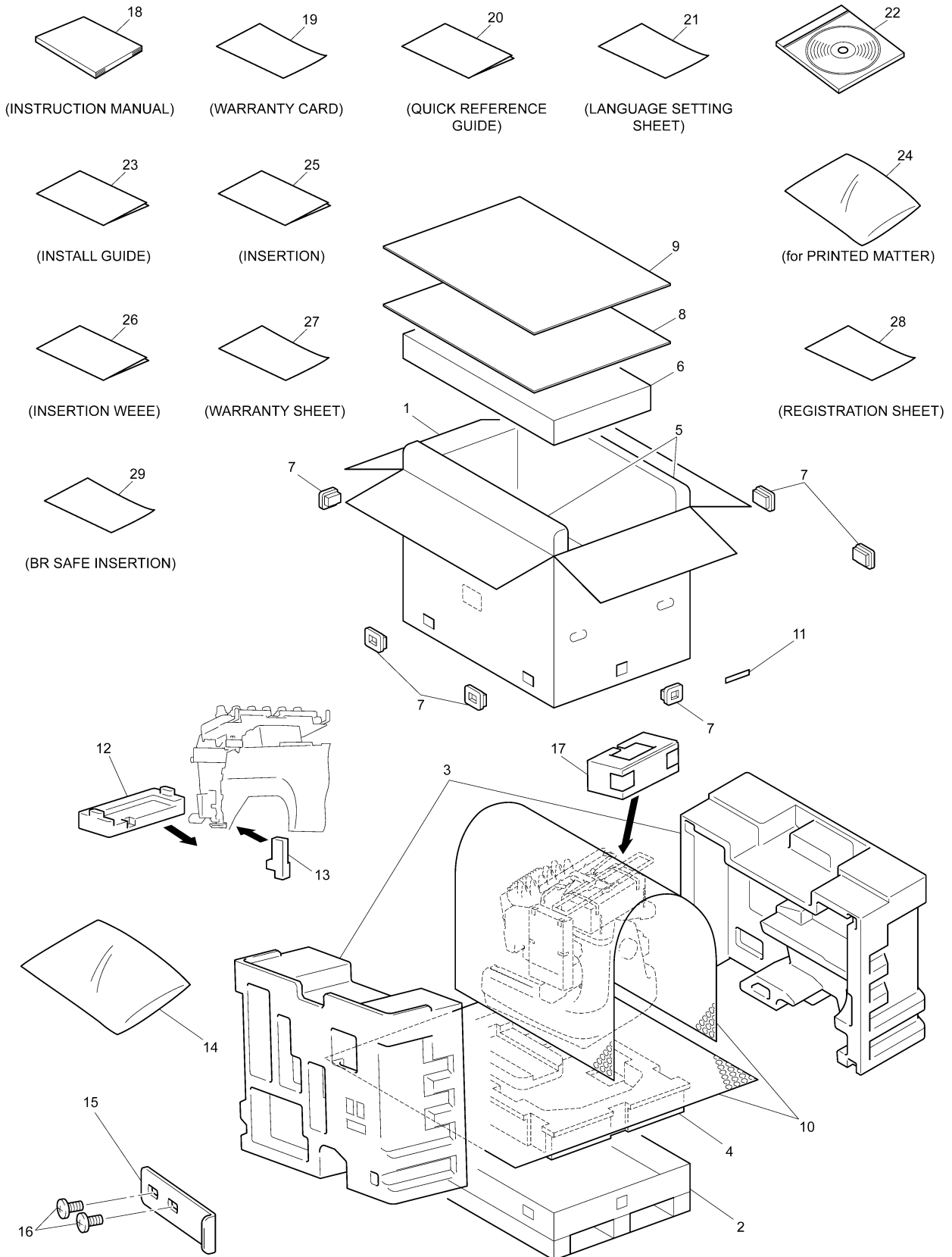
(13) ACCESSORY PARTS



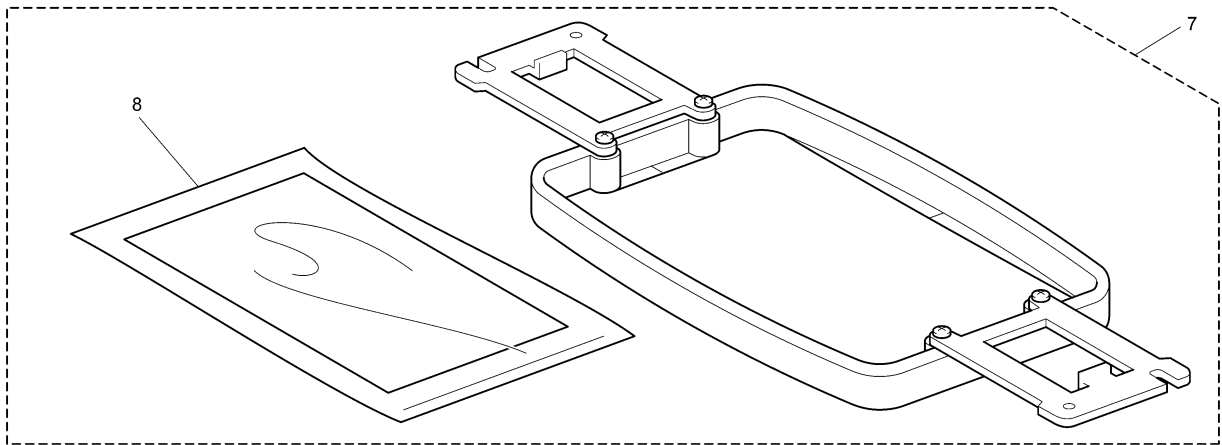
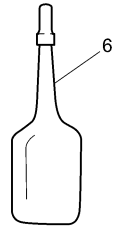
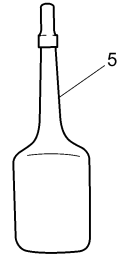
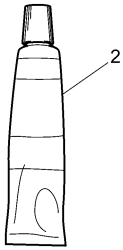
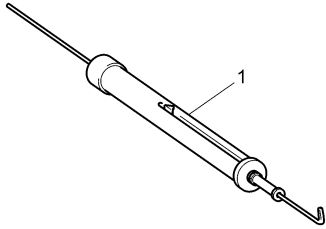
(13) ACCESSORY PARTS

No.	CODE	NAME	REMARKS	No.	CODE	NAME	REMARKS
1	XE7156001	TUBULAR FRAME 36X20 INNER		45	004401416	SCREW FLAT M4X14	
2	XE7157001	TUBULAR FRAME 36X20 OUTER		46	XC5553051	THUMB BOLT M4 L	
3	S32798001	COLLAR		47	XC6482051	ACCESSORY CASE	
4	S32799001	NUT, M4		48	XC5159051	HEXAGONAL DRIVER, 1.5	
5	XC5957051	SCREW, M4		49	X59476051	CLEANING BRUSH	
6	S36043000	SPRING, COMPRESSION 5.3X47.7		50	S34455000	NET, 160L	
7	XC5958051	HOLDER 30X20		51	XC6542051	PINCETTE	
8	062401416	SCREW, PAN M4X14		52	X54243051	SEAM RIPPER	
9	021400206	NUT, 2 M4		53	XC6543051	SCREW DRIVER, 2X100	
10	X60224051	BAG 350X700H		54	XC1807121	SCISSORS	
11	XC5960051	TUBULAR FRAME 18X13 INNER		55	XC5974151	BOBBIN TENSION GAUGE	
12	XC5961051	TUBULAR FRAME 18X13 OUTER		56	XA9940051	TOUCH PEN	
13	XC5963051	HOLDER 18X13		57	XC6545051	Z-TYPE SCREW-DRIVER, +-	
14	XC5965051	TUBULAR FRAME 10X10 INNER		58	XZ0206051	OILER B ASSY	
15	XC5966051	TUBULAR FRAME 10X10 OUTER		59	XC1074051	DISC-SHAPED SCREWDRIVER	
16	XC5968051	HOLDER 10X10		60	XC6368051	BOBBIN	
17	060300516	SCREW, BIND M3X5		61	X60838051	BAG, 70X110C	
18	025030236	WASHER, PLAIN M 3		62	X55468051	SCREW DRIVER S	
19	XZ0197051	BAG 180X470		63	XE8362001	NEEDLE EXCHANGE TOOL	
20	XC5970051	TUBULAR FRAME 06X04 INNER		64	XC6159051	WRENCH 13X10	
21	XC5971051	TUBULAR FRAME 06X04 OUTER		65	XD1851051	USB I/F CORE CABLE 3M	
22	XC5973051	HOLDER 06X04		66	XE7158001	EMBROIDERY SHEET 36X20 ASSY	
23	XE7376001	TUBULAR ROUND ARMB SUPPLY ASSY		67	XC5721051	EMBROIDERY SHEET 18X13 ASSY	
24	XE7364001	TUBLAR ROUND ARM RB SET		68	XC5759051	EMBROIDERY SHEET 10X10 ASSY	
25	XE7177001	TUBLAR ROUND ARM LB SET		69	XC5761051	EMBROIDERY SHEET 06X04 ASSY	
26	XC7076051	SPRING,PLATE		70	XC6469001	NEEDLE ASSEMBLY	
27	XC7644051	SCREW, PAM (S/P WASHER) M3X5		71	XC6499151	NEEDLE PLATE COVER	
28	XE7375001	SEAL		72	XC7134051	SPOOL FELT	
29	XE7140001	GUIDE PLATE ASSY		73	130012054	SPOOL PRESSER A	
30	XE7143101	SPRING PLATE		74	XE7256001	POWER SUPPLY CORD: CSA-CORE (USA, CAN)	
31	XE7180001	HOOP STAY B ASSY			XE7258001	POWER SUPPLY CORD: CEE-CORE (UK, IRE)	
32	XE7181001	HOOP STAY B			XE7261001	POWER SUPPLY CORD:IRAM-CORE (ARG)	
33	XE2270001	MAGNET			XE7257001	POWER SUPPLY CORD: CEE-CORE (OTHER)	
34	XE2271001	MAGNET HOLDER			XE7260001	POWER SUPPLY CORD:SAA-LF CORE (AUS, NZL)	1000021924
35	060300613	SCREW BIND M3X6			XE7263101	POWER SUPPLY CORD:BRZ-CORE (BRA)	1000025696
36	048030346	RETAINING RING E3		75	XE4912501	STICKER	1000026222
37	XC5816051	RUBBER		76	XE8396002	USB CORD CLAMP ASSY	
38	0A5400806	SCREW PAN (S/P WASHER) M4X8					
39	XE7146002	TUBULAR ARM COVER L2					
40	XC5553051	THUMB BOLT M4 L					
41	XE7174002	TUBULAR ARM COVER R2					
42	136681051	TAPTITE, BIND B M3X8					
43	XE7415001	SEAL B					
44	XE7197001	WIDE TABLE TOP					

(14) PACKAGE / USER MANUAL



(15) SPARE PARTS / ADJUSTING PARTS



brother®

PR1000
07G10HF884T10