

brother®

Home Sewing Machine PARTS REFERENCE LIST

MODEL: PR650/PR650C

CONFIDENTIAL

Copyright © 2010 Brother Industries, Ltd.
All rights reserved.

Published: Aug.,2009
Revised: Mar.,2011

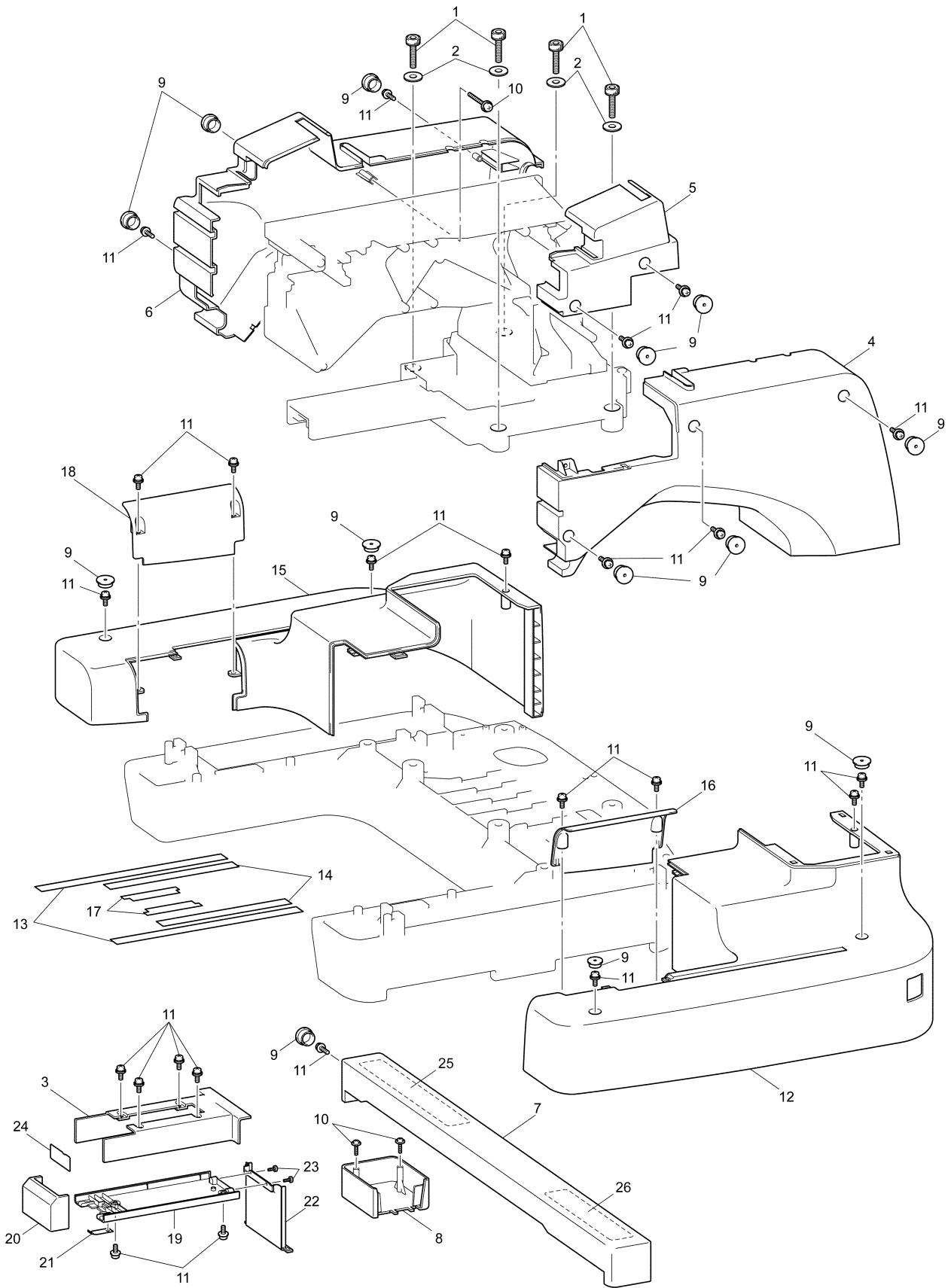
CONTENTS

(1) PRINCIPAL PARTS.....	2
(2) UPPER SHAFT MECHANISM.....	4
(3) NEEDLE BAR MECHANISM.....	6
(4) NEEDLE BAR CHANGE MECHANISM	10
(5) THREAD GUIDE MECHANISM.....	12
(6) ELECTRONIC PARTS.....	14
(7) MOTOR UNIT	18
(8) FEED MECHANISM	20
(9) LOWER SHAFT MECHANISM.....	26
(10) THREAD CUTTING MECHANISM	28
(11) THREAD WIPER MECHANISM	30
(12) UPPER THREAD GUIDE MECHANISM	32
(13) ATTACHMENTS.....	36
(14) PACKING MATERIALS / PRINTED MATTER.....	38
(15) ACCESSORY PARTS (BOBBIN WINDER SET)	40

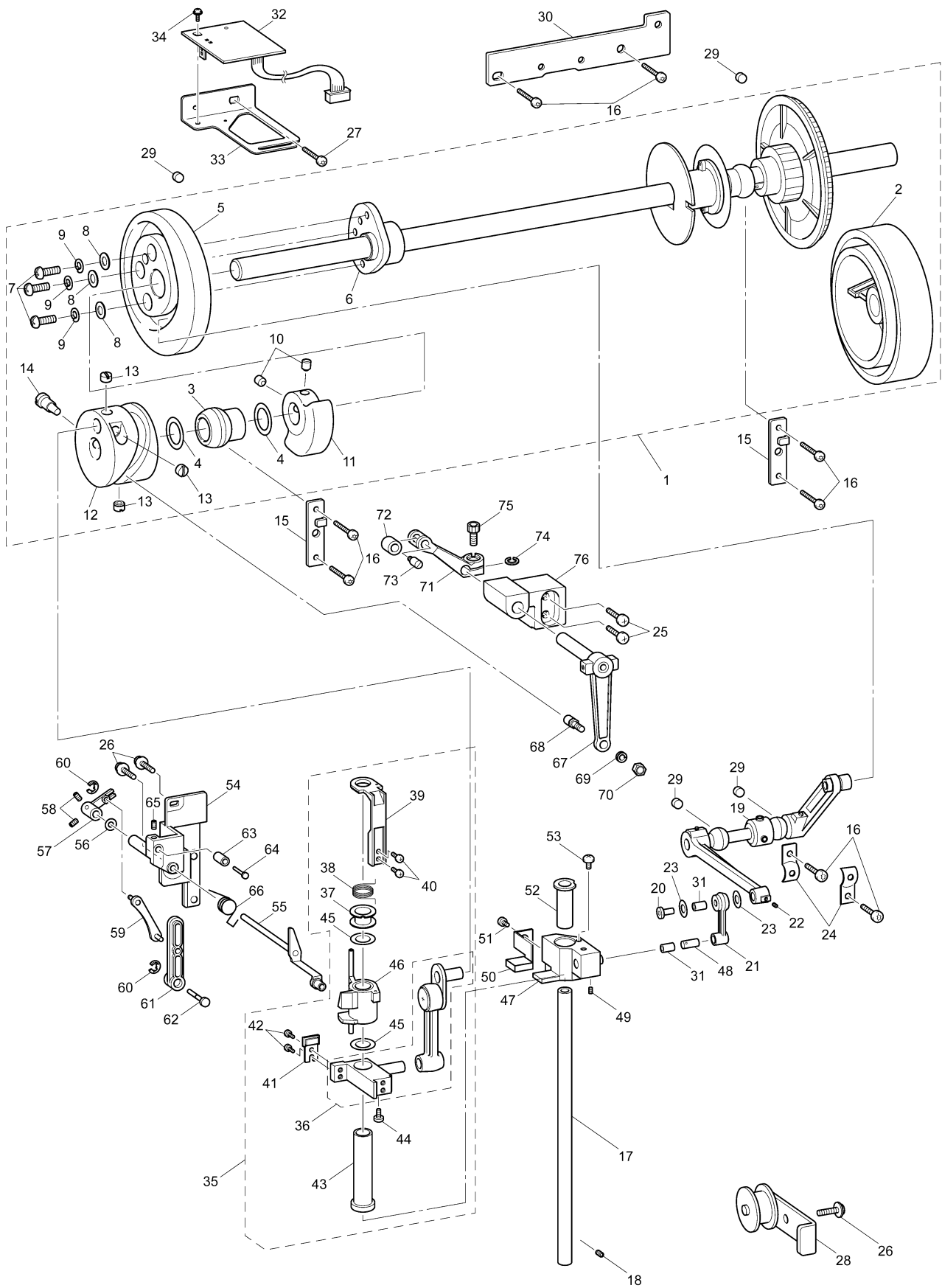
Note on parts:

We keep performance parts for this sewing machine for at least 8 years after this model is discontinued. Performance parts are the necessary parts to maintain the function of the sewing machine.

(1) PRINCIPAL PARTS



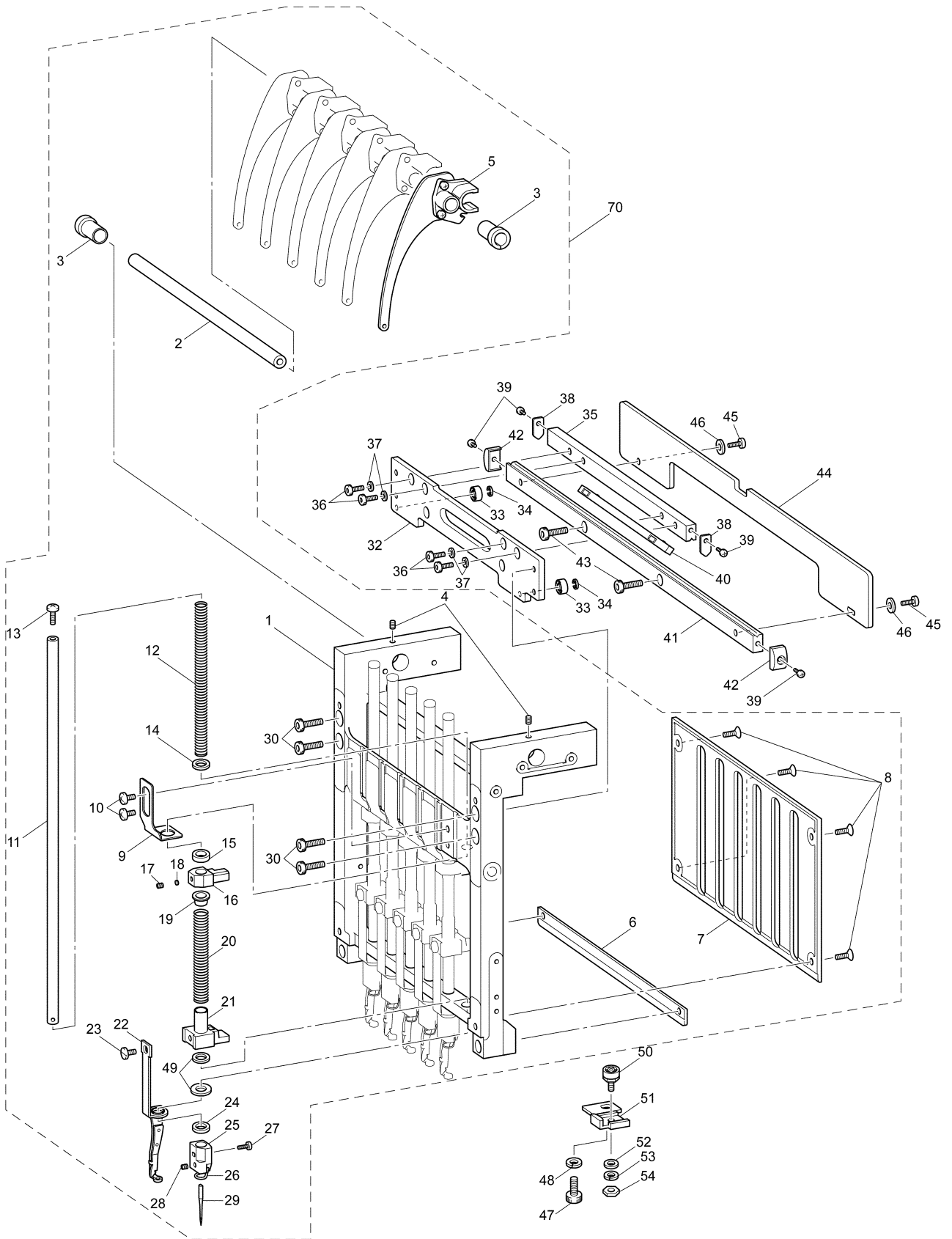
(2) UPPER SHAFT MECHANISM



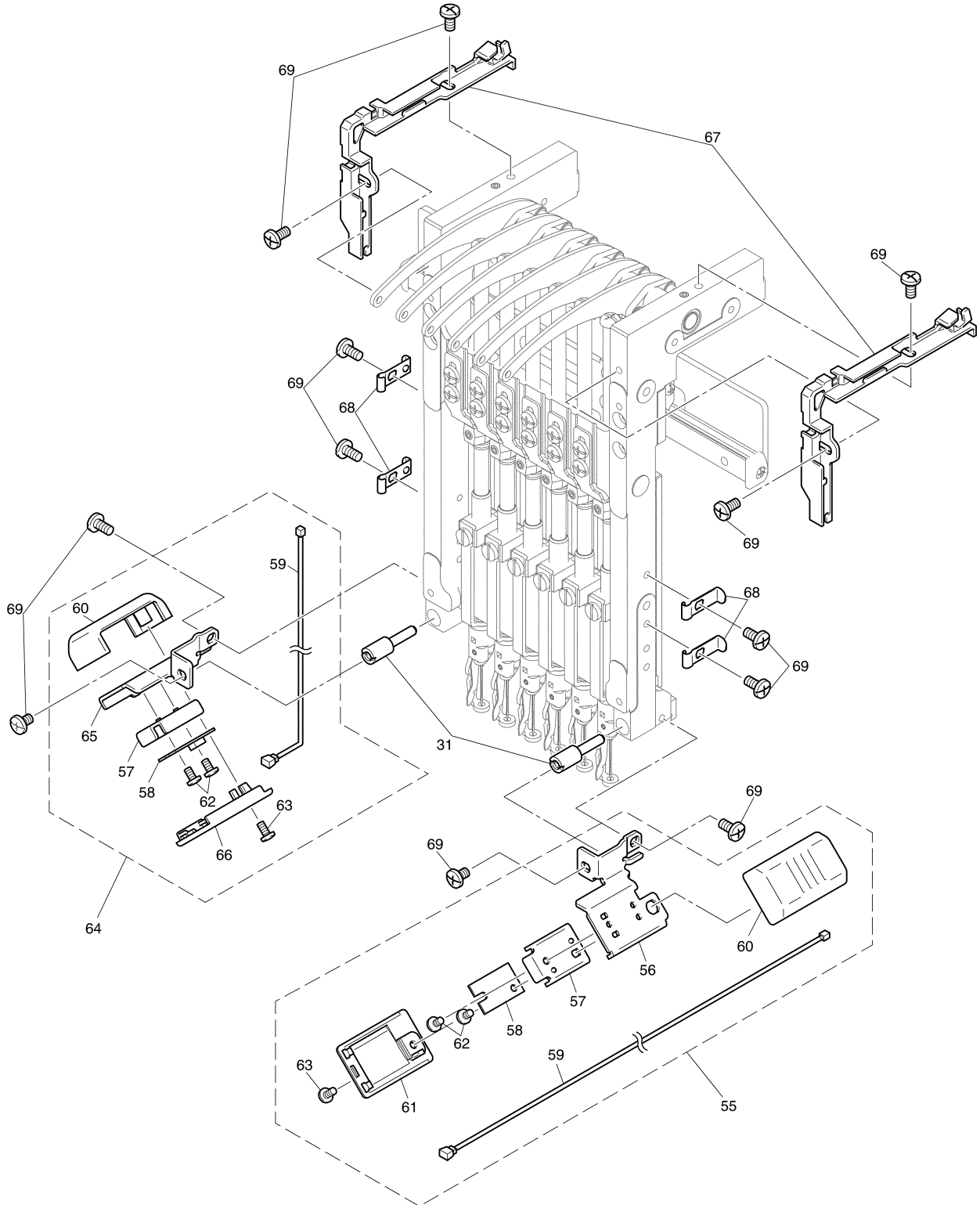
(2) UPPER SHAFT MECHANISM

No.	CODE	NAME	REMARKS	No.	CODE	NAME	REMARKS
1	XE3702102	UPPER SHAFT SUPPLY ASSY	1000020799	45	131976050	WASHER, THRUST	
2	XC5597152	PULLEY	1000020799	46	XE7550001	JUMP BRACKET	1000019484
3	XC5603051	UPPER SHAFT METAL	ADD	47	XC5635151	P-FOOT VERTICAL BASE	
4	X55548050	WASHER, TRUST	ADD	48	XC5636151	P-FOOT VERTICAL PIN	
5	XC5605151	PRESSER FOOT CAM	ADD	49	014400432	SET SCREW, SOCKET (CP) M4X4	
6	XC5606051	PRESSER FOOT CAM COLLAR	ADD	50	XC5638151	PRESSER FOOT CUSHION BASE	
7	062401213	SCREW PAN M4X12	ADD	51	060300516	SCREW, BIND M3X5	
8	025040133	WASHER, PLAIN S 4	ADD	52	XC5637051	P-FOOT VERTICAL BUSH	
9	028040343	WASHER SPRING 3-4	ADD	53	008260304	SCREW, TRUSS M2.6X3	
10	014500632	SET SCREW SOCKET (CP) M5X6	ADD	54	XC5648051	J BASE ASSY	
11	XC5607051	BALANCER	ADD	55	XC5651051	J DRIVING LEVER ASSY	
12	XC5609051	THREAD TAKE-UP CAM	ADD	56	X53027050	WASHER	
13	XE1211001	SET SCREW (CP) SM6.35	ADD	57	XC5656051	J DIFFERENTIAL LEVER	
14	XC5610051	SCREW	ADD	58	014300432	SET SCREW, SOCKET (CP) M3X4	
15	XC6362051	METAL PRESSER		59	XC5657051	J LINK ASSY	
16	X57908052	TAPTITE, BIND S M4X10		60	048040346	RETAINING RING, E4	
17	XC5623051	BASE NEEDLE BAR		61	XC5661051	J SLIDE LEVER	
18	014500632	SET SCREW, SOCKET (CP) M5X6		62	XC5662051	J SLIDE LEVER SHAFT	
19	XC5624251	DRIVING SHAFT ASSY, P-FOOT		63	XC5663051	J CUSHION	
20	XC5632251	P-FOOT LEVER SHAFT		64	XC5664051	J CUSHION PIN	
21	XC5633251	CONNECTING ROD, P-FOOT		65	012300432	SET SCREW, SOCKET (FT) M3X4	
22	014400432	SET SCREW, SOCKET (CP) M4X4		66	XC5665051	J LEVER SPRING	
23	X50546050	WASHER, THRUST		67	XC5639051	DRIVING LEVER ASSY, T/TAKE-UP	
24	132421051	BUSHING PRESSER		68	XC5627051	ROLLER SHAFT ASSY	
25	060501216	SCREW, BIND M5X12		69	028050246	WASHER, SPRING 2-5	
26	0A5401005	SCREW, PAN (S/P WASHER) M4X10		70	021500103	NUT, 1 M5	
27	138172051	SCREW, PAN (S/P WASHER) M4X10		71	XC5645051	DIFFERENTIAL LEVER, T/TAKE-UP	
28	XC6784051	TENSION PULLEY ASSY		72	107550002	ROLLER	
29	XC3183051	FELT		73	S32575001	THREAD TAKE-UP ROLLER PIN	
30	XD0767051	LED PCB PLATE		74	148782001	SPACER	
31	XZ0207051	LINK FELT, 3.3M		75	018501232	BOLT, SOCKET M5X12	
32	XC6136051	ASSY: MAIN SHAFT SENSOR		76	XC5646051	BEARING, T/TAKE-UP	
33	XC5666051	SENSOR HOLDER					
34	XC7564051	SCREW, PAN (S/P WASHER) M3X6	1000017643				
35	XZ0319151	JUMP BRACKET ASSY	1000020058				
36	XC7135051	CRANK ROD SET					
37	XC5616051	J SPRING COLLAR					
38	XC5617051	J SPRING					
39	XC5614051	J BRACKET					
40	062300416	SCREW, PAN M3X4					
41	XC5622051	J CUSHION BASE					
42	062260316	SCREW, PAN M2.6X3					
43	XC5621051	J VERTICAL BUSH					
44	008260304	SCREW, TRUSS M2.6X3					

(3) NEEDLE BAR MECHANISM



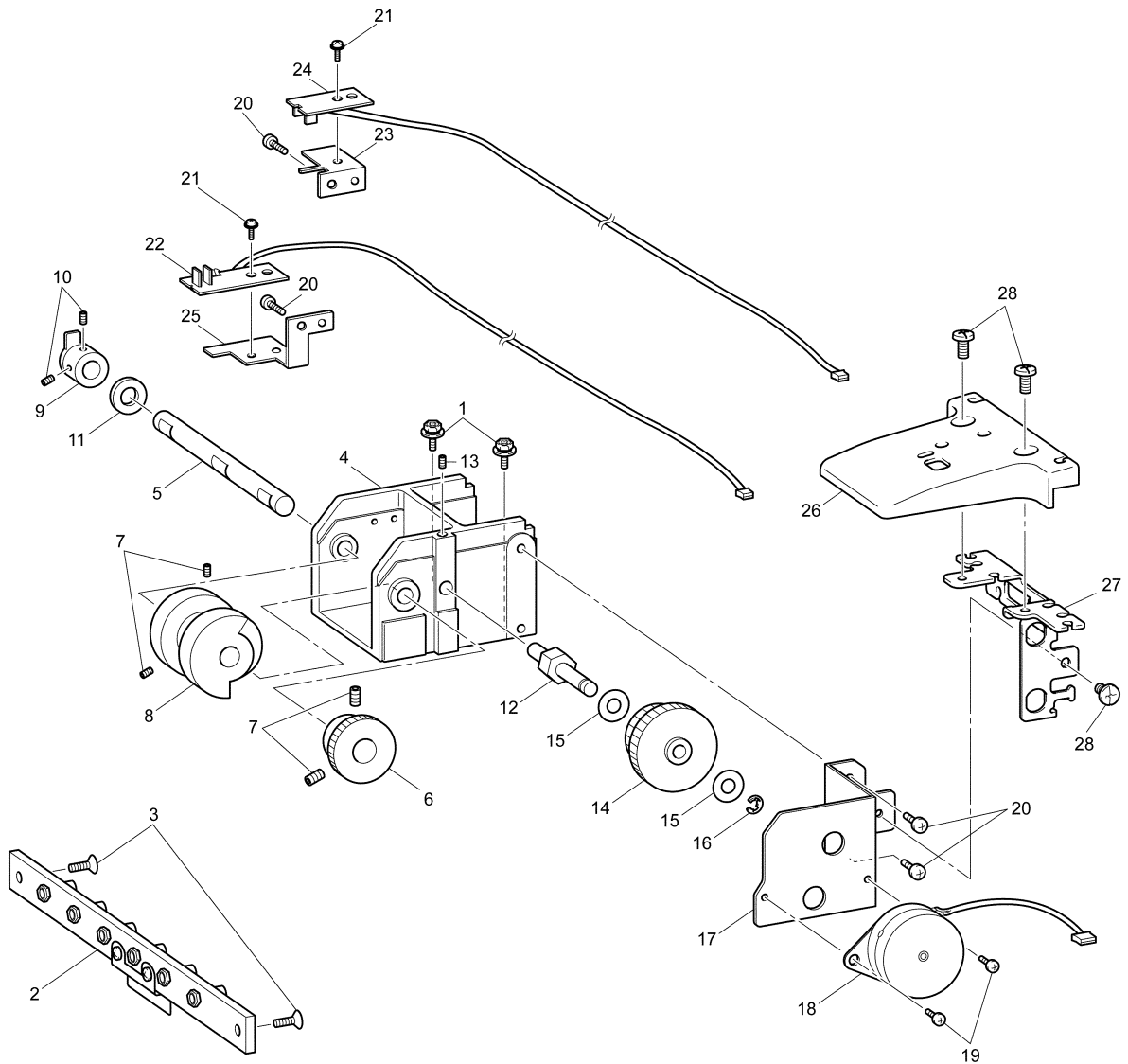
(3) NEEDLE BAR MECHANISM



(3) NEEDLE BAR MECHANISM

No.	CODE	NAME	REMARKS	No.	CODE	NAME	REMARKS
1	XC4954251	NEEDLE BAR CASE ASSY		45	062400816	SCREW, PAN M4X8	
2	XC5671051	THREAD TAKE-UP SHAFT		46	025040236	WASHER, PLAIN M 4	
3	XC5672051	THREAD TAKE-UP BUSH		47	018501632	BOLT SOCKET M5X16	
4	012400432	SET SCREW, SOCKET (FT) M4X4		48	028050246	WASHER SPRING 2-5	
5	XC5673051	THREAD TAKE-UP LEVER ASSY		49	XC7249052	NEEDLE BAR FELT S	
6	XC5676051	CASE GUIDE, D		50	XC7472051	CASE POSITIONING SHAFT ASSY	
7	XC5677051	GUIDE RAIL, NEEDLE BAR		51	XC5702151	CASE POSITIONING PLATE	1000018432
8	004401003	SCREW, FLAT M4X10		52	025040236	WASHER PLAIN M 4	
9	XC5678151	TOP DEAD CENTER PLATE	1000019681	53	028040246	WASHER SPRING 2-4	
10	060400616	SCREW, BIND M4X6		54	021400206	NUT 2 M4	
11	XC5679051	NEEDLE BAR		55	XE6260002	LED UNIT LEFT ASSY	1000020799
12	XC5680051	SPRING, NEEDLE BAR		56	XE6261001	LED BASE PLATE LEFT	
13	062500816	SCREW, PAN M5X8		57	XE6262001	LED LIGHT BASE	
14	118735002	WASHER		58	XE7036001	LED PCB SUPPLY ASSY	
15	S36153100	RUBBER, CUSHION		59	XE6206001	LEAD WIRE ASSY LED2	
16	XE1172001	NEEDLE BAR CLAMP		60	XE6263002	LED UPPER COVER	1000020799
17	014680432	SET SCREW, SOCKET SM4.37-40X4		61	XE6264001	LED LOWER COVER LEFT	
18	100507050	WASHER		62	060300516	SCREW BIND M3X5	
19	XC5682051	PRESSER FOOT SPRING COLLAR		63	X59629051	TAPTITE BIND B M3X10	1000016111
20	XC5683051	PRESSER FOOT SPRING		64	XE6266002	LED UNIT RIGHT ASSY	1000020799
21	XC5684051	PRESSER FOOT CLAMP		65	XE6267001	LED BASE PLATE RIGHT	
22	XC5685151	PRESSER FOOT ASSY		66	XE6265001	LED LOWER COVER RIGHT	
23	XC5688051	SCREW, P/F		67	XE6268101	LED CORD GUIDE	
24	XC5689051	PRESSER FOOT CUSHION		68	XE6269101	LED CORD CLAMP	
25	XC5690051	THREAD GUIDE, NEEDLE BAR		69	060400816	SCREW BIND M4X8	
26	XC7020051	THREAD GUIDE		70	XE2882101	NEEDLE BAR UNIT ASSY	
27	XC7021052	SCREW SM 2.38					
28	016300436	SET SCREW, SOCKET (CN) M3X4					
29	XC5691011	NEEDLE HAX130 EBBR					
30	018401632	BOLT, SOCKET M4X16					
31	XC9969151	STUD BOLT, M4					
32	XC5693051	CASE BRACKET ASSY					
33	070694809	BALL BEARING RADIAL 694ZZ	1000015840				
34	048030346	RETAINING RING, E3					
35	XC5696051	CASE GUIDE, US					
36	018400832	BOLT, SOCKET M4X8					
37	XC7406051	WASHER					
38	XC5697051	SLIDE ROLLER STOPPER					
39	062300416	SCREW, PAN M3X4					
40	XC5698051	SLIDE ROLLER					
41	XC5699051	CASE GUIDE, UL					
42	XC5700051	CASE GUIDE COVER, UL					
43	018401232	BOLT, SOCKET M4X12					
44	XC5701051	THREAD TAKE-UP GUIDE					

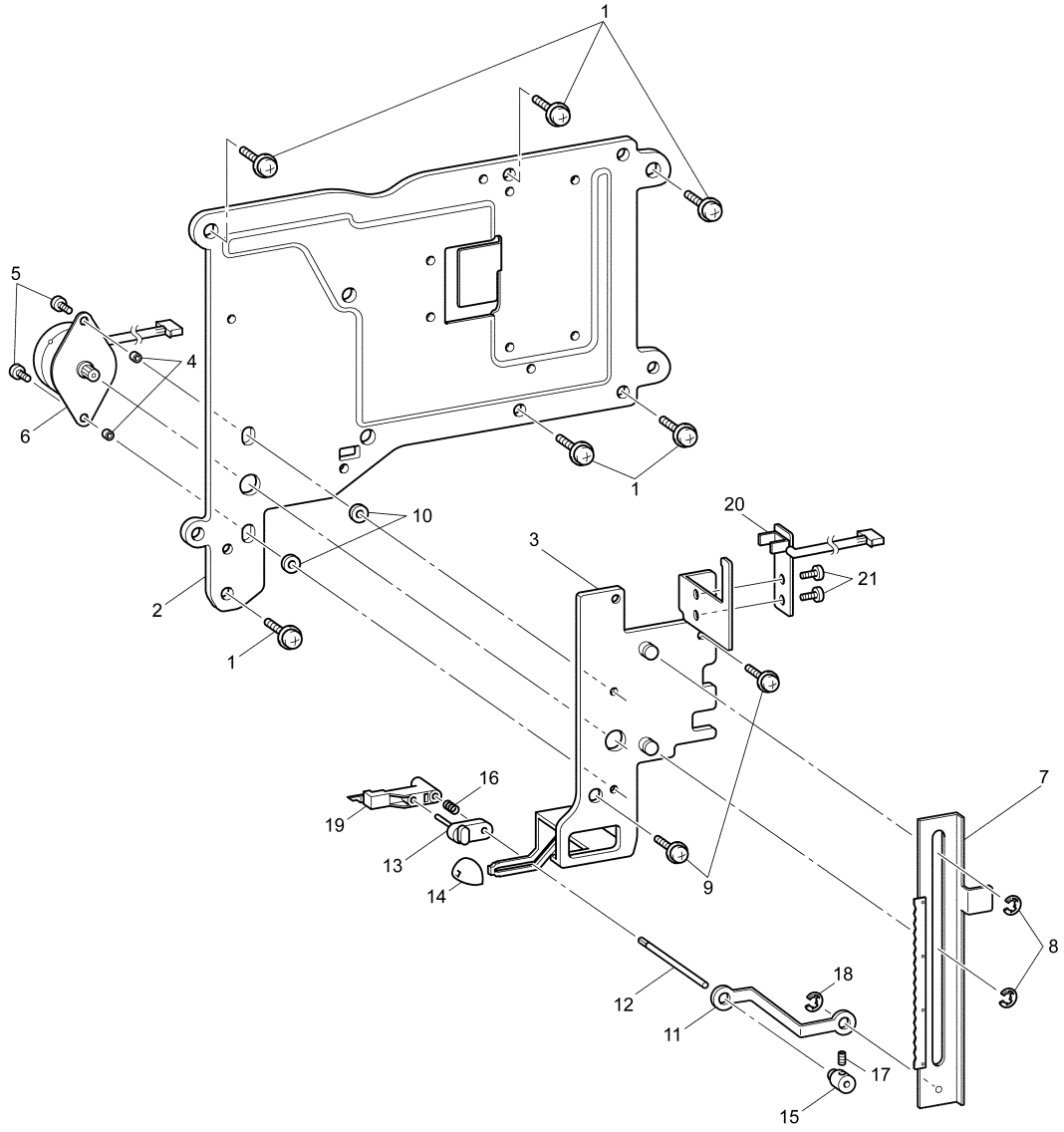
(4) NEEDLE BAR CHANGE MECHANISM



(4) NEEDLE BAR CHANGE MECHANISM

No.	CODE	NAME	REMARKS
1	XC7323151	BOLT (S/P WASHER) M5X16	
2	XC5717051	CHANGE ROLLER BASE ASSY	
3	004401003	SCREW, FLAT M4X10	
4	XC5705051	CHANGE BOX ASSY	
5	XC5708051	CHANGE CAM SHAFT	
6	XC5709051	CHANGE GEAR	
7	014500632	SET SCREW, SOCKET (CP) M5X6	
8	XC5710051	CHANGE CAM	
9	XC5711051	C STOP POSITION DOG	
10	014400432	SET SCREW, SOCKET (CP) M4X4	
11	X51383050	WASHER, THRUST	
12	XC5712051	DIFFERENTIAL GEAR SHAFT	
13	012400432	SET SCREW, SOCKET (FT) M4X4	
14	XC5713051	C DIFFERENTIAL GEAR	
15	025060235	WASHER, PLAIN M 6	
16	048040346	RETAINING RING, E4	
17	XC5714051	CHANGE MOTOR BASE	
18	XC6185051	ASSY: INDEX MOTOR	
19	062300416	SCREW, PAN M3X4	
20	060400816	SCREW, BIND M4X8	
21	XC7564051	SCREW, PAN (S/P WASHER) M3X6	1000017643
22	XC6140051	ASSY: INDEX SENSOR	
23	XC5715051	C SENSOR BRACKET	
24	XC6143051	ASSY: COLOR CHANGE SENSOR	
25	XC5716051	C SENSOR BRACKET LOWER	
26	XE6300201	CHANGE BOX CENTER COVER	
27	XE6270101	LED CORD HOLDER	
28	060400816	SCREW BIND M4X8	

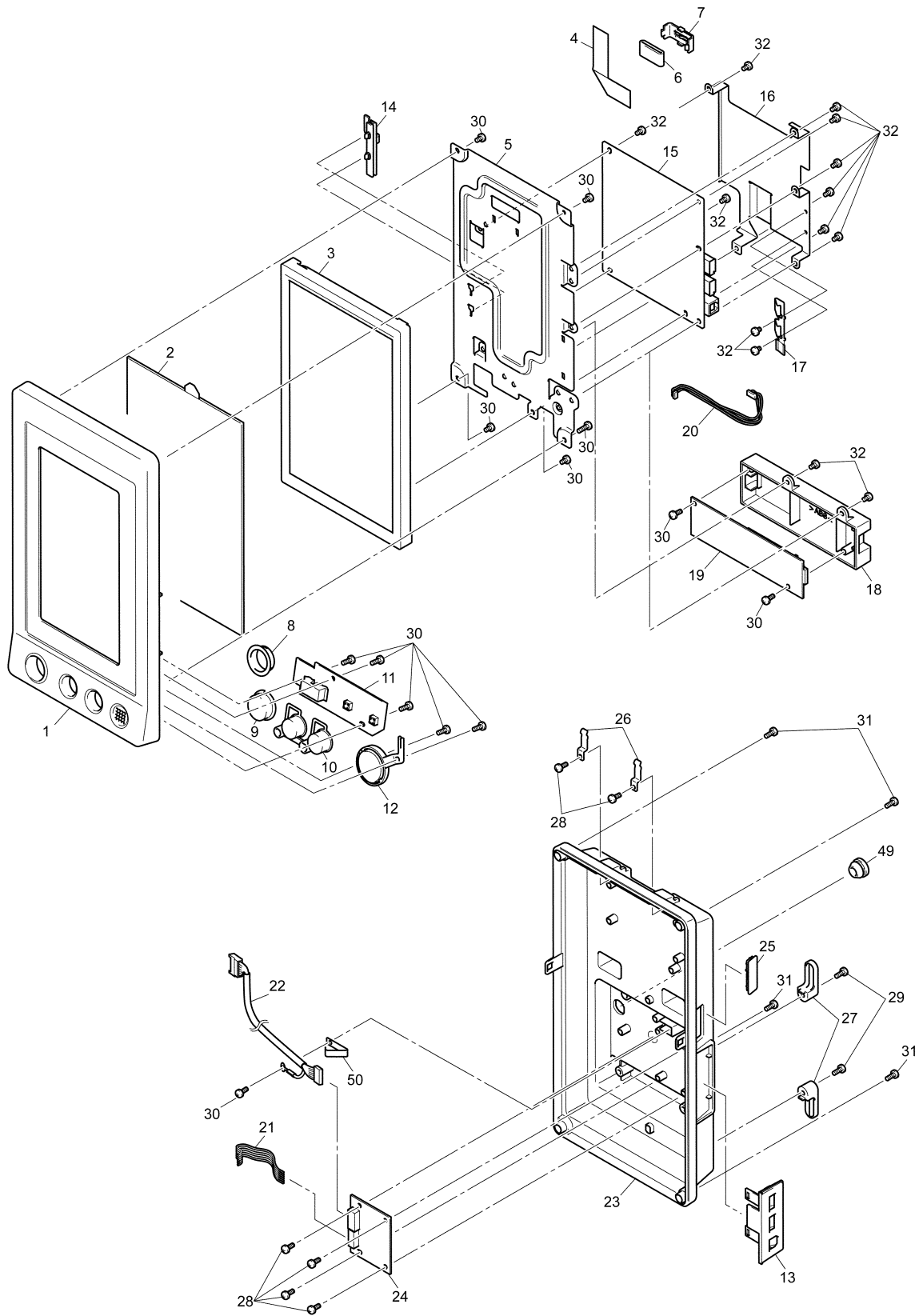
(5) THREAD GUIDE MECHANISM



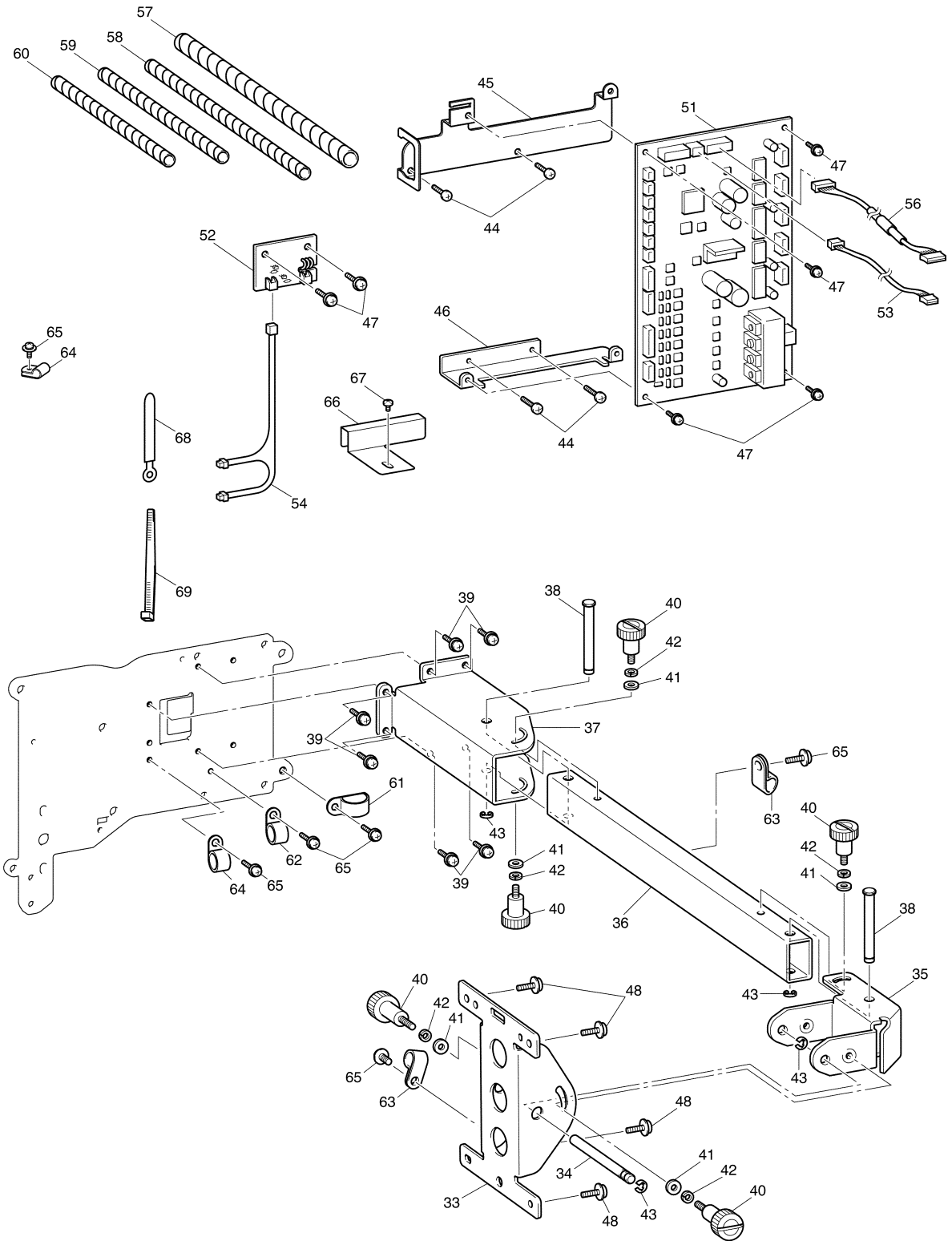
(5) THREAD GUIDE MECHANISM

No.	CODE	NAME	REMARKS
1	X57908052	TAPTITE, BIND S M4X10	
2	XC5723151	THREAD GUIDE BASE	
3	XC5724151	BASE PLATE ASSY	
4	XC5727151	SPACER	
5	062300616	SCREW, PAN M3X6	
6	XC6188051	ASSY: TH MOTOR	
7	XC6507051	RACK ASSY	
8	048040346	RETAINING RING, E4	
9	0A5400806	SCREW, PAN (S/P WASHER) M4X8	
10	025040136	WASHER, PLAIN S 4	
11	XC5730051	HOOK HOLDER LINK	
12	XC5739151	HOOK HOLDER AXIS B	
13	XC6510051	SET COLLAR ASSY	
14	XC5740151	CAP	1000019684
15	XC6076151	BUSH	
16	XC7375051	HOOK HOLDER SPRING	
17	014300332	SET SCREW, SOCKET (CP) M3X3	
18	048030346	RETAINING RING, E3	
19	XC5732051	HOOK HOLDER ASSY	
20	XC6158051	ASSY: NEEDLE TH SENSOR	
21	XC7564051	SCREW, PAN (S/P WASHER) M3X6	

(6) ELECTRONIC PARTS



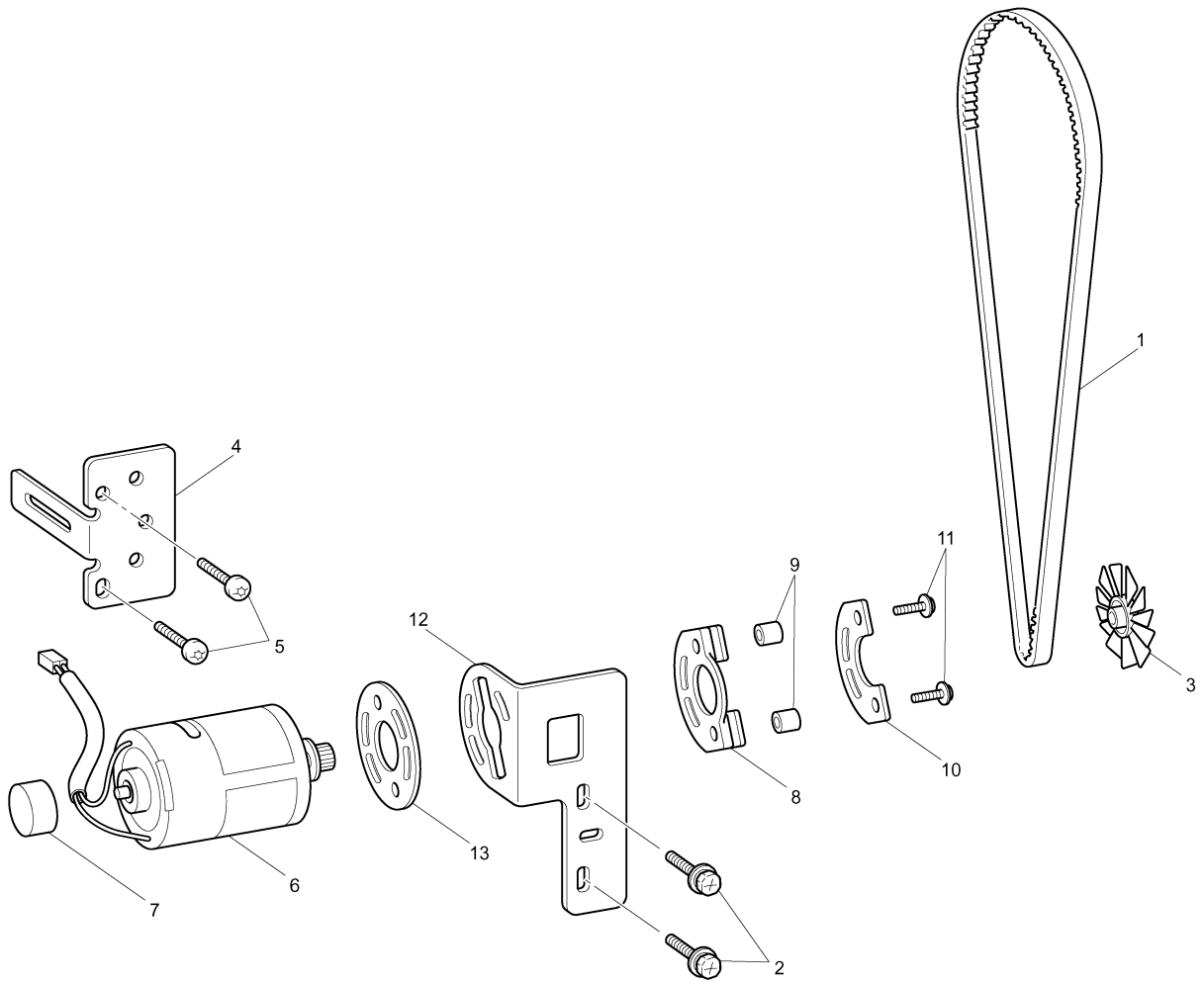
(6) ELECTRONIC PARTS



(6) ELECTRONIC PARTS

No.	CODE	NAME	REMARKS	No.	CODE	NAME	REMARKS
1	XE6355002	PANEL FRONT COVER BADGE ASSY	1000020799	41	026040236	WASHER, PLAIN M 4	
2	XE6294001	TOUCH PANEL: TP-3686S3F0		42	028040246	WASHER, SPRING 2-4	
3	XE5138101	LCD SUPPLY ASSY US (U.S.A.)	1000019862	43	048060346	RETAINING RING, E6	
	XE5247101	LCD SUPPLY ASSY (OTHER)	1000019862	44	X57908052	TAPTITE, BIND S M4X10	
4	XE4372001	FLEXIBLE FLAT CABLE: SML2CD-40		45	XC5756051	BOARD HOLDER U	
5	XE6228001	PCB BASE PLATE		46	XC5757051	BOARD HOLDER D	
6	XE5040001	FERRITE CORE: FSRC250120RT000T		47	XC7564051	SCREW, PAN (S/P WASHER) M3X6	
7	XE6229001	FERRITE HOLDER		48	087411416	TAPTITE, CUP B M4X14	
8	XE6230001	SS BUTTON GUIDE		49	XC7233051	CORD BUSHING 5P-4	
9	XE6232101	SS BUTTON	1000019630	50	XE6247001	GROUND SPRING	
10	XE6234002	OPERATION BUTTON	1000020799	51	XC7396151	SUPPLY ASSY: MAIN PCB	
11	XE6149001	SS PCB ASSY		52	XE6154001	LED DRIVE PCB ASSY	
12	XE6236001	SPEAKER SET		53	XE6207001	LEAD WIRE ASSY LED DRIVE	
13	XE6238001	USB COVER		54	XE7533001	LEAD WIRE ASSY LED1	1000016785
14	XE6240001	BOARD SUPPORTER		55	XE6283001	SPIRAL TUBE LED	1000016785
15	XE7037001	PANEL PCB SUPPLY ASSY		56	XC6198051	LEAD WIRE ASSY: HEAD	
	XE9504001	PANEL PCB SUPPLY ASSY THAI (SGP, UAE)	1000020977	57	XC5069051	SPIRAL TUBE A	
	XE9584001	PANEL PCB SUPPLY ASSY CHN (CHN)	1000022013	58	XC5073051	SPIRAL TUBE B	
16	XE6241001	PANEL PCB CASE		59	XC5078051	SPIRAL TUBE C	
17	XE5267001	GROUND PLATE USB		60	XC6407051	SPIRAL TUBE D	
18	XE3939001	INVERTER COVER		61	XZ0201051	CORD CLAMP: WL-5/8	
19	XE7551001	INVERTER: INV-05C06521BT	1000016326	62	XC5243051	CORD CLAMP: NK-5N	
20	XE4345001	LEAD WIRE ASSY: X1 INVERTER		63	XC5243052	CORD CLAMP: NK-5N	
21	XE6156001	LEAD WIRE ASSY COM-PANEL		64	S10243000	CORD HOLDER, NK-3N	
22	XD1155051	LEAD WIRE ASSY PANEL		65	0A5401005	SCREW, PAN (S/P WASHER) M4X10	
23	XE6243201	PANEL REAR COVER	1000017960	66	XC5157051	PROTECT SHEET	
24	XE6151001	COMMUNICATION RELAY PCB ASSY		67	060400516	SCREW, BIND M4X5	
25	XE6244001	CARD COVER		68	T31049001	COATING CLIP CS-6	1000016785
26	XE6246001	PEN HOLDER		69	X53169050	BAND	1000022589
27	XD0761051	USB CORD HOLDER					
28	136681051	TAPTITE, BIND B M3X8					
29	X59629051	TAPTITE, BIND B M3X10					
30	136681051	TAPTITE, BIND B M3X8					
31	X59629051	TAPTITE, BIND B M3X10					
32	060300516	SCREW BIND M3X5					
33	XE6259001	PANEL HOLDER					
34	XC5747051	OPERATION PANEL HOLDER SHAFT					
35	XD0664051	OPERATION PANEL LEVER A					
36	XE7022001	OPERATION PANEL LEVER B					
37	XD0666151	OPERATION PANEL LEVER C	1000017557				
38	XC5751051	OPERATION PANEL LEVER SHAFT					
39	0A5400806	SCREW, PAN (S/P WASHER) M4X8					
40	XC5553051	THUMB BOLT M4 L					

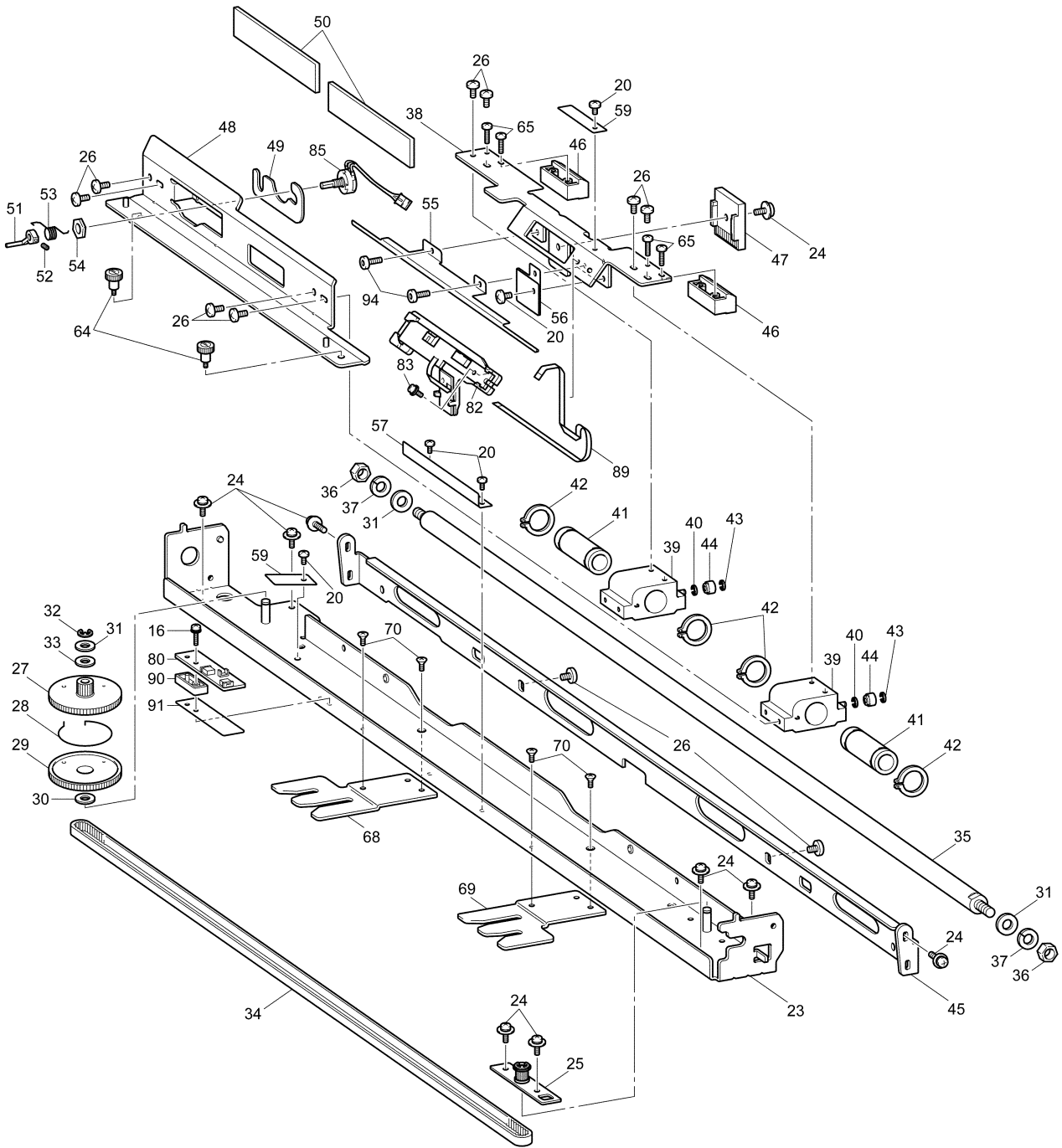
(7) MOTOR UNIT



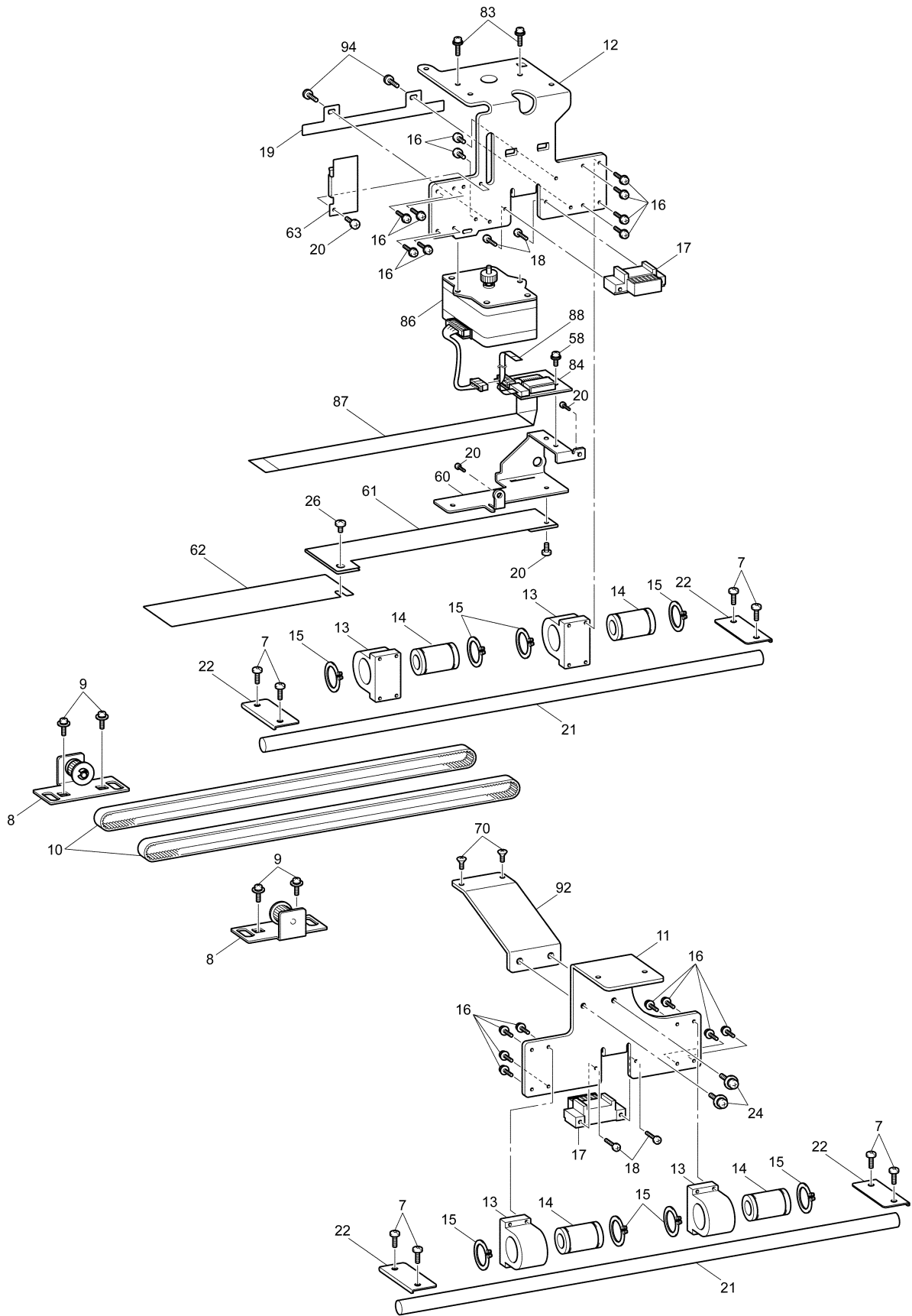
(7) MOTOR UNIT

No.	CODE	NAME	REMARKS
1	XA9644050	T BELT	
2	XA5901051	UP SET	
3	XA9652150	MOTOR FAN	
4	XC5764051	MOTOR HOLDER BASE	
5	X57908052	TAPTITE, BIND S M4X10	
6	XD1151051	MAIN MOTOR ASSY	
7	XC6481051	MOTOR CAP	
8	XA9649050	FENDER RUBBER	
9	XC0443051	SPACER 4X7	
10	XA9650051	MOTOR SPACER PRESSER	
11	052401605	SCREW, PAN (S/P WASHER) M4X16	
12	XC5762051	MOTOR HOLDER	
13	XC5763051	MOTOR HOLDER SPACER	

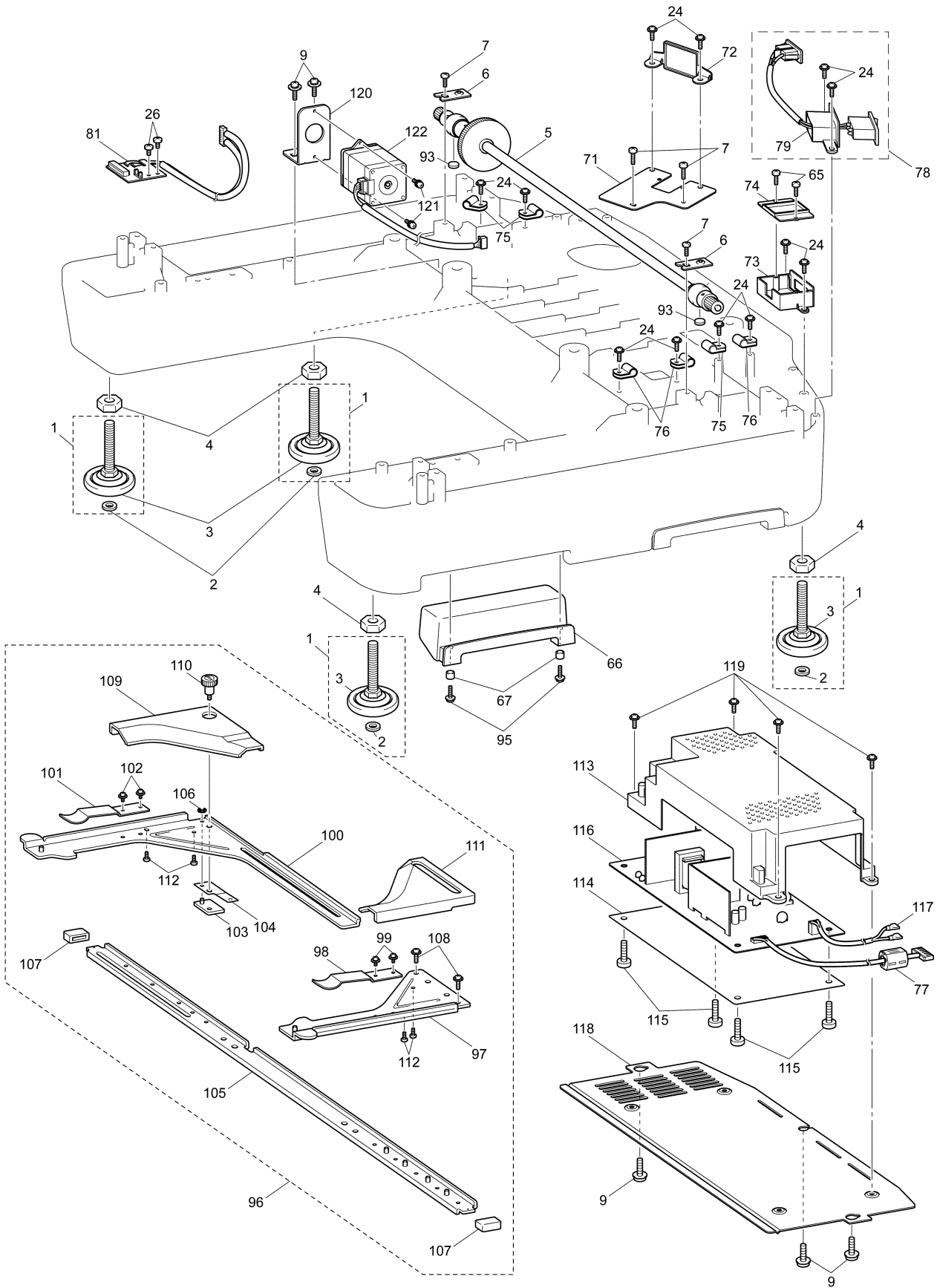
(8) FEED MECHANISM



(8) FEED MECHANISM



(8) FEED MECHANISM



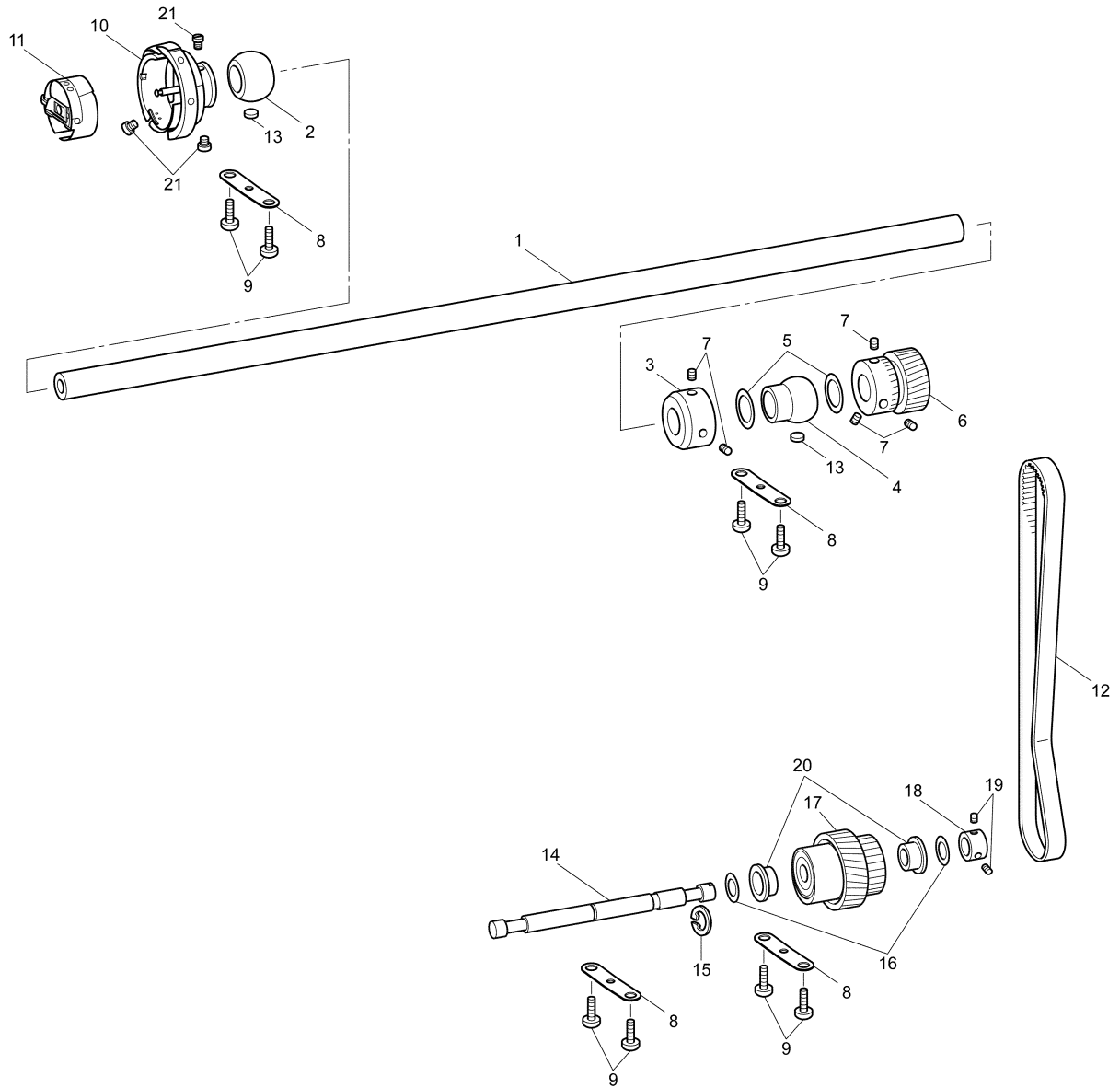
(8) FEED MECHANISM

No.	CODE	NAME	REMARKS	No.	CODE	NAME	REMARKS
1	XD0747051	ADJUST BOLT M8		45	XC6221051	X FEED FRAME B	
2	XD0751051	WASHER		46	XC6218051	Y FRAME SPACER	
3	XD0752051	RUBBER CUSHION		47	XC5798051	X BELT PRESSER	
4	021080206	NUT, 2 M8		48	XC5799151	X CARRIAGE A ASSY	
5	XC5767151	Y DRIVING SHAFT ASSY		49	XE2313001	PT METER PLATE	
6	X52478051	BUSHING PRESSER		50	XE8211001	X CARRIAGE SLIDING SHEET	1000017666
7	X57908052	TAPTITE, BIND S M4X10		51	XC5801051	HOOP LEVER	
8	XC5771051	Y TENSION PLATE SET		52	012300632	SET SCREW, SOCKET (FT) M3X6	
9	0A5401006	SCREW, PAN (S/P WASHER) M4X10		53	XC5802051	SPRING	
10	XC5775051	T BELT B60S3M579		54	X52569001	NUT	
11	XC5776051	Y CARRIAGE R		55	XC5803051	X SENSOR DOG	
12	XC5777051	Y CARRIAGE L		56	XC5804051	X CABLE FIXING SHEET A	
13	XC5779051	BEARING CASE Y		57	XC5805051	X CABLE FIXING SHEET B	
14	XC5780051	BEARING 10, LINER	1000015840	58	XC7564051	SCREW, PAN (S/P WASHER) M3X6	
15	048190142	RETAINING RING, EXTERNAL C19		59	XC5806051	X CABLE FIXING SHEET C	
16	0A4301006	SCREW, PAN (S/P WASHER) M3X10	1000020272	60	XC5807051	PCB SET PLATE	
17	XC5781151	Y BELT PRESSER	1000022757	61	XC5808051	Y CABLE PROTECTION SHEET A	
18	085311416	TAPTITE, BIND P M3X14		62	XC6121051	Y CABLE PROTECTION SHEET B	
19	XC5782051	Y SENSOR DOG		63	XC5809151	CODE GRIP	1000017478
20	060300416	SCREW, BIND M3X4		64	XC5817051	SCREW, KNOB M4S	
21	XC5783051	Y GUIDE SHAFT		65	X59629051	TAPTITE, BIND B M3X10	
22	XC5784151	FIXED Y SHAFT PLATE	1000018384	66	XC5834051	HANDLE	
23	XC5785051	FEED FRAME ASSY		67	XC5835051	BUSH 4X4	
24	0A5400806	SCREW, PAN (S/P WASHER) M4X8		68	XE2319001	CYLINDER CONNECTION L	
25	XA9657051	TENSION PULLEY ASSY		69	XE2320001	CYLINDER CONNECTION R	
26	060400616	SCREW, BIND M4X6		70	061300616	SCREW, FLAT M3X6	
27	XC3227001	Y DRIVING GEAR PULLEY A		71	XC5838051	USB PCB HOLDER	
28	XC3194051	SPRING FOR GEAR		72	XE6306002	USB PCB COVER	1000020799
29	XC3192001	Y DRIVING GEAR PULLEY B		73	XC5839152	INLET COVER	1000020799
30	X50546050	WASHER, THRUST		74	XC6072051	INLET COVER LID	
31	XE0863051	WASHER, M6		75	XA8837051	CORD CLAMP	
32	048040343	RETAINING RING, E4		76	XA7678051	CORD CRAMP	
33	X53838051	WASHER		77	XE7045001	FERRITE CORE: LF0930A	
34	XC5788051	T BELT B60S796		78	XC6201052	ASSY: POWER SW (USA, CAN, MEX)	1000020799
35	XC5789051	X GUIDE SHAFT			XC5644052	ASSY: POWER SW EC (OTHER)	1000020799
36	021060206	NUT, 2 M6		79	XC5840054	SWITCH HOLDER	1000020799
37	028060246	WASHER, SPRING 2-6		80	XC6146051	ASSY: X AREA SENSOR	
38	XC5790051	X CARRIAGE B		81	XC6148051	ASSY: Y AREA SENSOR	
39	XC5792051	BEARING CASE X ASSY		82	XE1808001	MAGNET PCB ASSY	
40	048040343	RETAINING RING, E4		83	0A4300806	SCREW PAN (S/P WASHER) M3X8	1000020272
41	XC6222051	BEARING 12 LINER	1000015840	84	XC6171051	ASSY: CONNECT PCB	
42	048210142	RETAINING RING, EXTERNAL C21		85	XC6177051	ASSY: HOOP SENSOR	
43	048040343	RETAINING RING, E4		86	XC6182051	ASSY: X MOTOR	
44	XC5796051	X ROLLER		87	XC6189051	FFC: SML2CD-Y	

(8) FEED MECHANISM

No.	CODE	NAME	REMARKS
88	XC6190051	FFC: SML2CD-C	
89	XC6191051	FFC: SML2CD-X	
90	XC6219151	X FRAME SPACER	
91	XE2281001	INSULATION SHEET	
92	XC6500051	Y CARRIAGE RB	
93	XC3183051	FELT	
94	018300532	BOLT, SOCKET M3X5	
95	XC7077051	SCREW 3X10	
96	XD0637051	TUBULAR ROUND ARM SUPPLY ASSY	
97	XC5819051	TUBULAR ROUND ARM R ASSY	
98	XC7076051	SPRING, PLATE	
99	XC7644051	SCREW, PAM (S/P WASHER) M3X5	
100	XC5823051	TUBULAR ROUND ARM L ASSY	
101	XC7076051	SPRING, PLATE	
102	XC7644051	SCREW, PAM (S/P WASHER) M3X5	
103	XC5827051	GUIDE PLATE ASSY	
104	XC5826051	SPRING PLATE	
105	XC5813051	HOOP STAY ASSY	
106	048030346	RETAINING RING, E3	
107	XC5816051	RUBBER	
108	0A5400806	SCREW, PAN (S/P WASHER) M4X8	
109	XC5841052	TUBULAR ARM COVER L	1000020799
110	XC5553051	THUMB BOLT M4 L	
111	XC5842052	TUBULAR ARM COVER R	1000020799
112	136681051	TAPTITE, BIND B M3X8	
113	XC5832251	POWER UNIT COVER	
114	XC5833051	INSULATION PLATE	
115	085311415	TAPTITE, BIND B M3X14	
116	XE7038001	POWER PCB SUPPLY ASSY: 100 (USA, CAN, BRA, MEX)	
	XE7039001	POWER PCB SUPPLY ASSY: 200 (OTHER)	
117	XC6209051	LEAD WIRE ASSY: POWER	
118	XC5831051	POWER UNIT STAY	
119	0A5401206	SCREW, PAN (S/P WASHER) M4X12	
120	XC5810051	Y MOTOR STAY	
121	0A4300605	SCREW, PAN (S/P WASHER) M3X6	
122	XC6183051	ASSY: Y MOTOR	

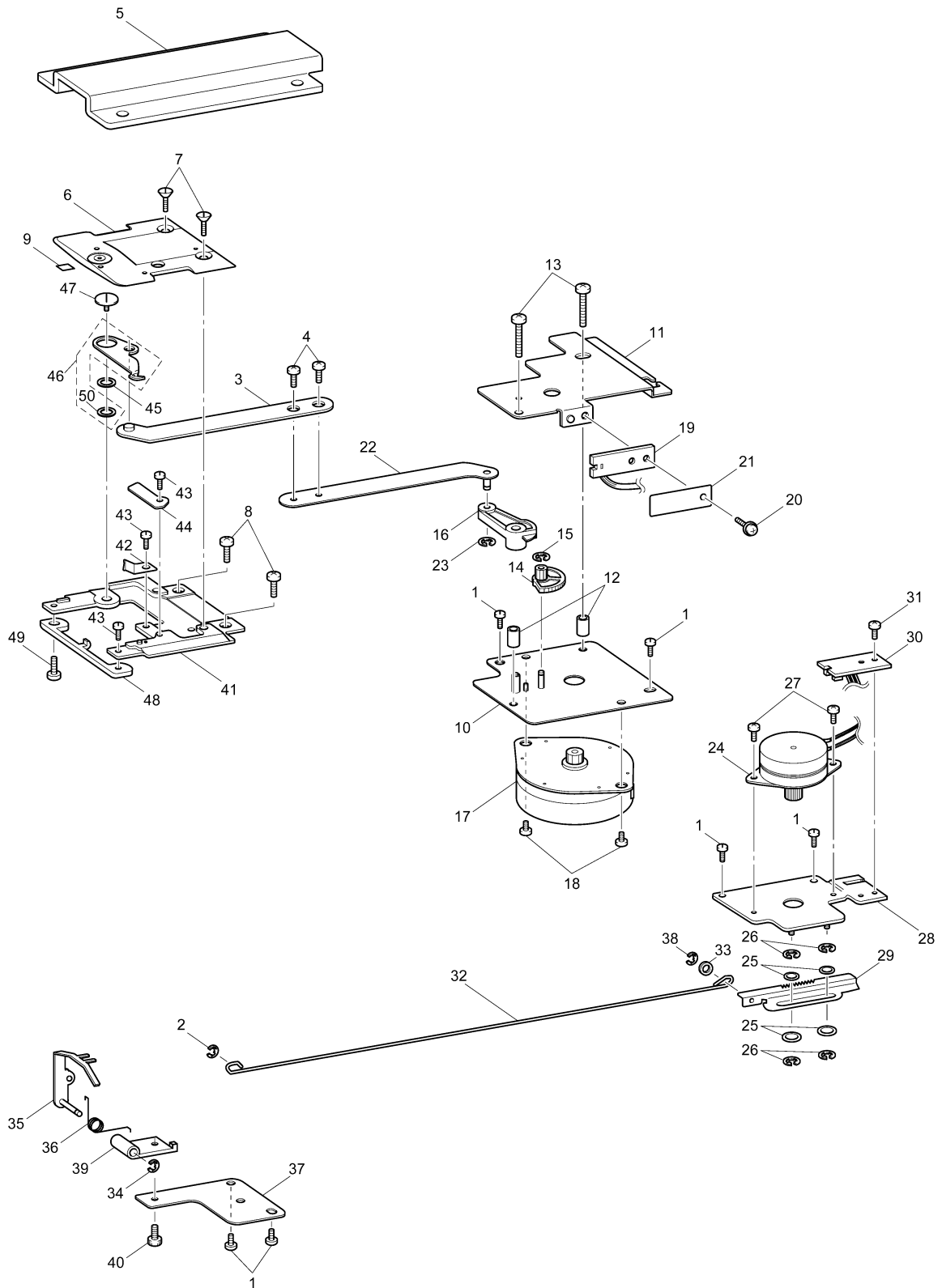
(9) LOWER SHAFT MECHANISM



(9) LOWER SHAFT MECHANISM

No.	CODE	NAME	REMARKS
1	XC5843051	LOWER SHAFT	
2	XC5630051	LOWER SHAFT METAL, F	
3	XA0840051	COLLAR	
4	XC5845051	LOWER SHAFT METAL, R	
5	XA0835050	WASHER. THURST 7.24	
6	XA0841051	LOWER SHAFT GEAR	
7	014060632	SET SCREW, SOCKET (CP) M6X6	
8	X57943051	BUSHING PRESSER	
9	X57908052	TAPTITE, BIND S M4X10	
10	XC6924001	ROTARY HOOK, DB1-ATR (1QB)	
11	XC7206001	BOBBIN CASE ASSY	
12	XC5846051	T BELT-S5M-525	
13	XC3183051	FELT	
14	XC5847051	IDLE PULLEY SHAFT	
15	048070346	RETAINING RING, E7	
16	X51383050	WASHER, THRUST	
17	XE7033001	IDLE PULLEY	
18	137768151	SET SCREW COLLAR	
19	014400432	SET SCREW, SOCKET (CP) M4X4	
20	S55792001	BALL BEARING	
21	XC7271001	HOOK SET SCREW4.46	

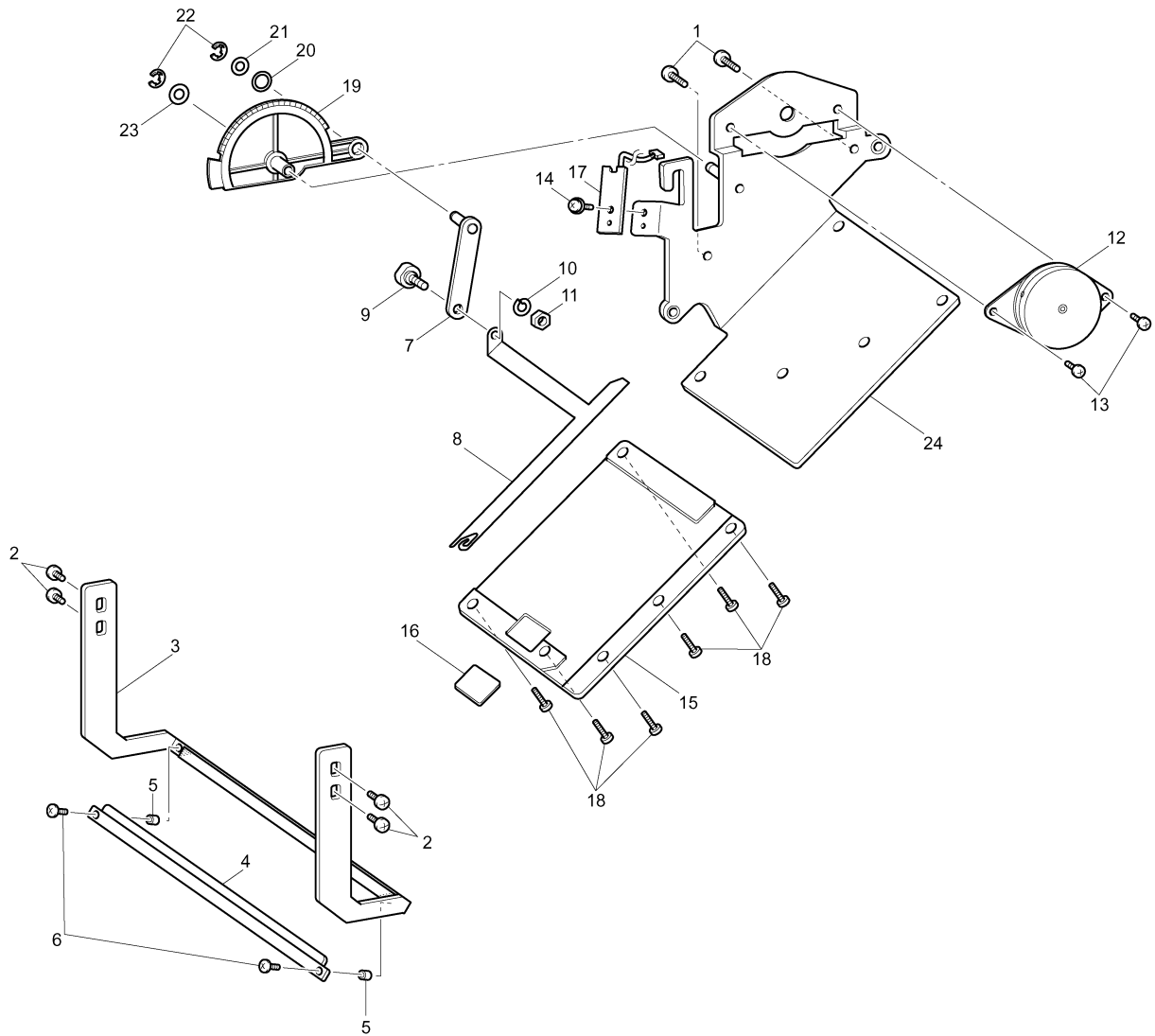
(10) THREAD CUTTING MECHANISM



(10) THREAD CUTTING MECHANISM

No.	CODE	NAME	REMARKS	No.	CODE	NAME	REMARKS
1	060400616	SCREW, BIND M4X6		46	XC6908151	MOVABLE KNIFE SUPPLY ASSY	
2	048020346	RETAINING RING, E2		47	S32475001	SCREW, M4	
3	XC5871051	CUTTER LINK ASSY		48	XC5879051	ROTARY HOOK STOPPER	
4	060300416	SCREW, BIND M3X4		49	018300636	BOLT, SOCKET M3X6	
5	XC5874051	BED COVER		50	XE1845001	MOVABLE KNIFE SPACER	
6	XE1142001	NEEDLE PLATE					
7	XC6404051	SCREW, FLAT M4					
8	062400816	SCREW, PAN M4X8					
9	XC5984051	FELT					
10	XC5858051	CT MOTOR BRACKET ASSY					
11	XC5863051	CUTTER BRACKET					
12	XC5864051	COLLAR					
13	000401605	SCREW, BIND M4X16					
14	XC5865051	INITIAL GEAR					
15	048020346	RETAINING RING, E2					
16	XC5866051	LEVER GEAR					
17	XC6184051	ASSY: TH CUTTER MOTOR					
18	060300416	SCREW, BIND M3X4					
19	XC6152051	ASSY: TH CUTTER SENSOR					
20	XC7564051	SCREW, PAN (S/P WASHER) M3X6	1000017643				
21	XE7791001	INSULATION SHEET	1000017060				
22	XC5868051	LEVER LINK ASSY					
23	048040346	RETAINING RING, E4					
24	XC6187051	ASSY: PICKER MOTOR					
25	026030136	WASHER, PLAIN S 3					
26	048020346	RETAINING RING, E2					
27	060300416	SCREW, BIND M3X4					
28	XC5510051	PK MOTOR BRACKET ASSY					
29	XC5513151	RACK ASSY					
30	XC6161051	ASSY: PICKER SENSOR					
31	XC7564051	SCREW, PAN (S/P WASHER) M3X6	1000017643				
32	XC5856051	PICKER LINK					
33	026030136	WASHER, PLAIN S 3					
34	048020346	RETAINING RING, E2					
35	XC5849151	PICKER ASSY					
36	XC5853051	PICKER SPRING					
37	XC5854051	PICKER BRACKET					
38	048020343	RETAINING RING, E2					
39	XC6634151	PICKER HOLDER					
40	018300532	BOLT, SOCKET M3X5					
41	XC5876051	NEEDLE PLATE BASE ASSY					
42	XC6230051	THREAD HOLDING PLATE					
43	XC5881051	SCREW					
44	XC5882051	FIXED KNIFE					
45	S32476001	COLLAR, M-KNIFE					

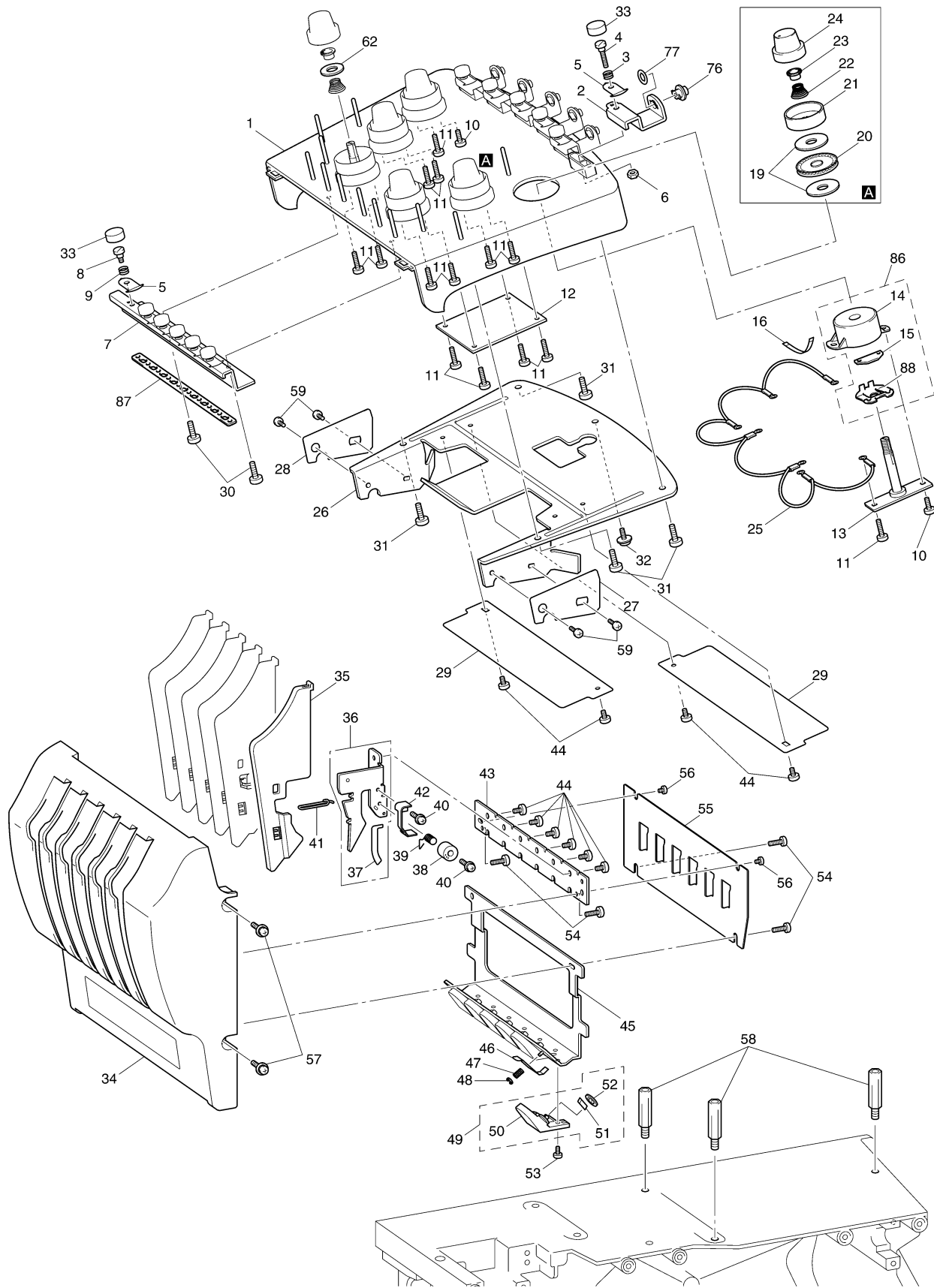
(11) THREAD WIPER MECHANISM



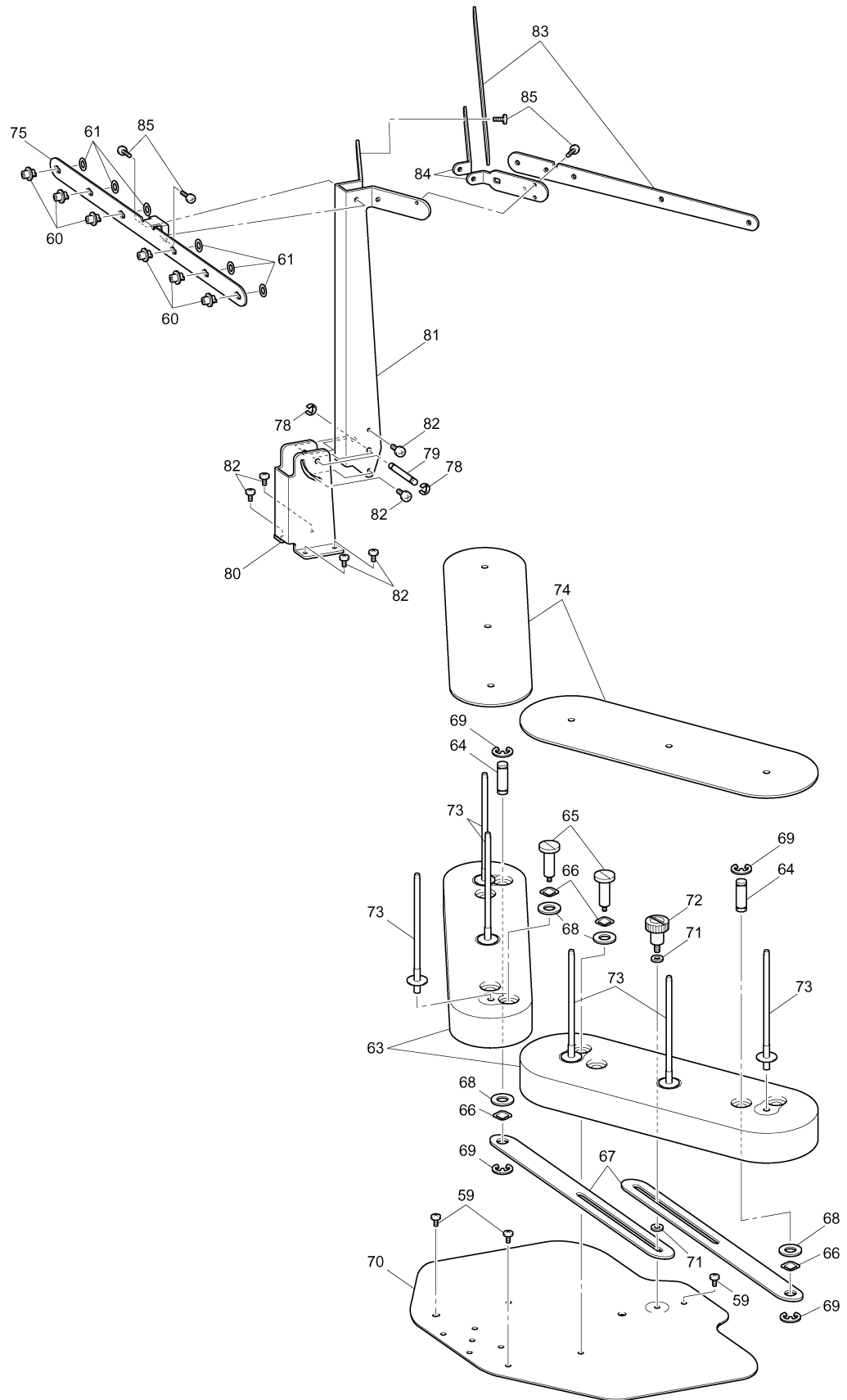
(11) THREAD WIPER MECHANISM

No.	CODE	NAME	REMARKS
1	X57908052	TAPTITE, BIND S M4X10	
2	060400616	SCREW, BIND M4X6	
3	XC5896251	THREAD PRESSER BASE ASSY	1000024124
4	XC5899051	THREAD PRESSER COVER ASSY	
5	XC5902051	THREAD PRESSER SPACER	
6	S46404001	SCREW, PAN M3X7	
7	XC5888051	WIPER LINK ASSY	
8	XC5891151	WIPER HOOK	
9	XC5892051	WIPER SHOULDER SCREW	
10	028040246	WASHER, SPRING 2-4	
11	021400305	NUT, 3 M4	
12	XC6186051	ASSY: WIPER MOTOR	
13	062300416	SCREW, PAN M3X4	
14	XC7564051	SCREW, PAN (S/P WASHER) M3X6	1000017643
15	XC5893151	WIPER GUIDE	
16	XC5894051	WIPER CUSHION	
17	XC6155051	ASSY: WIPER SENSOR	
18	062300616	SCREW, PAN M3X6	
19	XC5887151	WIPER LEVER	
20	X53838051	WASHER	
21	025050236	WASHER, PLAIN M 5	
22	048040346	RETAINING RING, E4	
23	025060235	WASHER, PLAIN M 6	
24	XC5884051	WIPER BASE ASSY	

(12) UPPER THREAD GUIDE MECHANISM



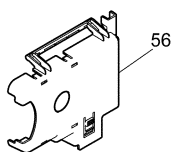
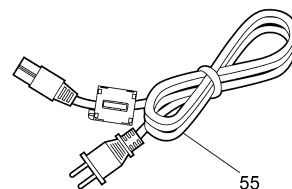
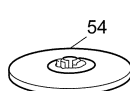
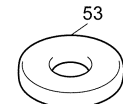
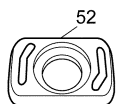
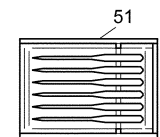
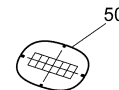
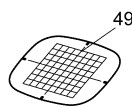
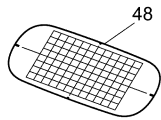
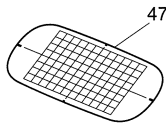
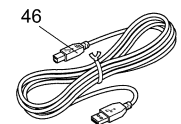
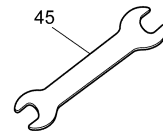
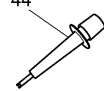
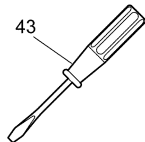
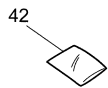
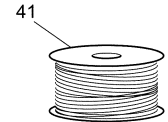
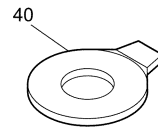
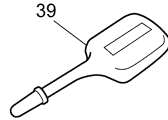
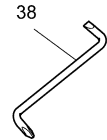
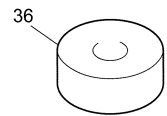
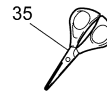
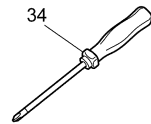
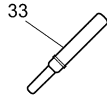
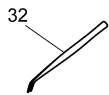
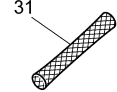
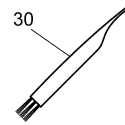
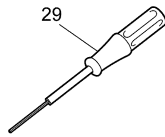
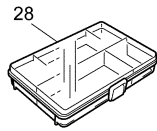
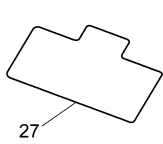
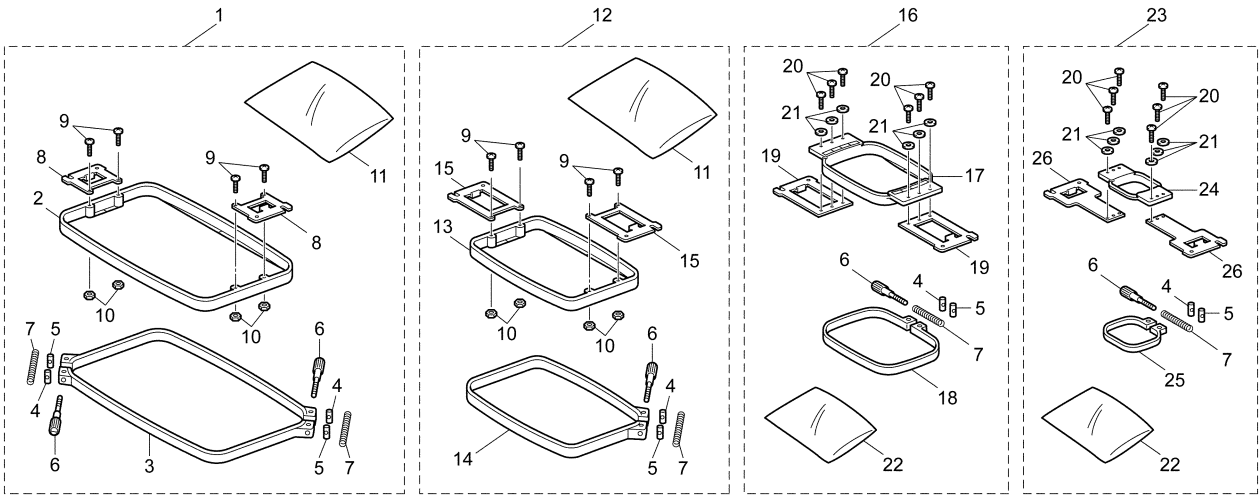
(12) UPPER THREAD GUIDE MECHANISM



(12) UPPER THREAD GUIDE MECHANISM

No.	CODE	NAME	REMARKS	No.	CODE	NAME	REMARKS
1	XC6350252	TENSION BASE	1000020799	45	XE3394001	THREAD HOLDER BASE ASSY	
2	XC5905051	UPPER THREAD EYELET BASE		46	XC5947051	NEEDLE THREAD PRESSER PLATE	
3	XC6231051	THREAD GUIDE COMPRESSION		47	XC5962051	SPRING	
4	XC5909051	THREAD GUIDE TENSION SCREW		48	048015346	RETAINING RING, E1.5	
5	XC5907051	THREAD GUIDE TENSION PLATE		49	XC5967052	CUTTER COVER ASSY	1000020799
6	021300205	NUT, 2 M3		50	XC5972052	CUTTER COVER	1000020799
7	XC5908151	INNER THREAD EYELET BASE	1000020281	51	X80321001	NT LOWER THREAD CUTTER	
8	XC5906051	THREAD GUIDE TENSION AXIS		52	138384051	RETAINING RING, CS5	
9	XZ0198051	BOBBIN WINDER COMPRESSION		53	0A5300606	SCREW, PAN (S/P WASHER) M3X6	
10	136681051	TAPTITE, BIND B M3X8		54	085311016	TAPTITE, BIND B M3X10	
11	X59629051	TAPTITE, BIND B M3X10		55	XC5934051	THREAD GUIDE BACK COVER	
12	XC6164051	ASSY: HEAD PCB		56	060260316	SCREW, BIND M2.6X3	
13	XC5911151	THREAD TENSION BRACKET	1000017611	57	0A5401006	SCREW, PAN (S/P WASHER) M4X10	
14	XC5914153	THREAD QUANTITY SENSOR COVER		58	XC5935051	STUD	
15	XC6167051	ASSY: TH SENSOR		59	060400816	SCREW, BIND M4X8	
16	XC6192051	FFC: SML2CD-H		60	XC5812051	PIPE BUSH A	
17	XC5880051	RUBBER WASHER	1000020594	61	XE8376001	O RING, P5	1000018051
18	138334054	RETAINING RING, CS2	1000020594	62	XC7254051	WASHER	
19	S36299001	TENSION DISC FELT		63	XC5938052	SPOOL STAND FRAME	1000020799
20	XC7602000	ROTARY DISC ASSY B		64	XC5939051	SPOOL STAND STUD	
21	XC5915052	TENSION DISC PRESSER	1000020799	65	XC5943051	STUD SCREW	
22	XC6232051	TENSION SPRING		66	XC5945051	SPRING WASHER	
23	S30564000	WASHER		67	XC5946051	SPOOL STAND LINK	
24	XC5916052	TENSION NUT	1000020799	68	XA9677051	WASHER	
25	XC6199051	LEAD WIRE ASSY: HEAD EARTH		69	048080346	RETAINING RING, E8	
26	XC5917151	TENSION BASE BRACKET		70	XC5936051	SPOOL STAND BASE	
27	XC5883051	COLOR SHEET R		71	XC5948051	SPACER	
28	XC5895051	COLOR SHEET L		72	XC5553051	THUMB BOLT M4 L	
29	XC6202051	BRACKET COVER		73	XC5949051	SPOOL PIN	
30	085410816	TAPTITE, BIND B M4X8		74	XC5950053	SPONGE	
31	085411416	TAPTITE, BIND B M4X14		75	XC5830051	ANTENNA E	
32	XC7564051	SCREW, PAN (S/P WASHER) M3X6		76	XC5812051	PIPE BUSH A	
33	XC5919053	TENSION AXIS CAP		77	XE8376001	O RING, P5	
34	XE6376002	TAKEUP LEVER COVER ASSY	1000020799	78	048050346	RETAINING RING, E5	
35	XC6001052	THREAD GUIDE COVER	1000020799	79	XC6238051	ANTENNA SHAFT	
36	XC5921151	THREAD TAKE-UP BRACKET ASSY	1000020328	80	XC6237051	ANTENNA D	
37	XC5925051	SPRING TAPE		81	XC5951051	ANTENNA C ASSY	
38	XC6463051	THREAD CATCHING SPRING CASE		82	060400616	SCREW, BIND M4X6	
39	XC5926051	THREAD TAKE-UP SPRING		83	XC6236051	ANTENNA B	
40	0A4300606	SCREW, PAN (S/P WASHER) M3X6		84	XC6235051	ANTENNA A	
41	XC5929051	THREAD GUIDE WIRE		85	060300616	SCREW, BIND M3X6	
42	XC6234051	THREAD GUARD		86	XD0177053	TH SENSOR SUPPLY ASSY	
43	XC5930051	THREAD TENSION BRACKET BASE		87	XE8971001	I THREAD EYELET BASE PLATE	1000020281
44	060300416	SCREW, BIND M3X4		88	XE8022001	THREAD QUANTITY SENSOR PRESSER	1000020594

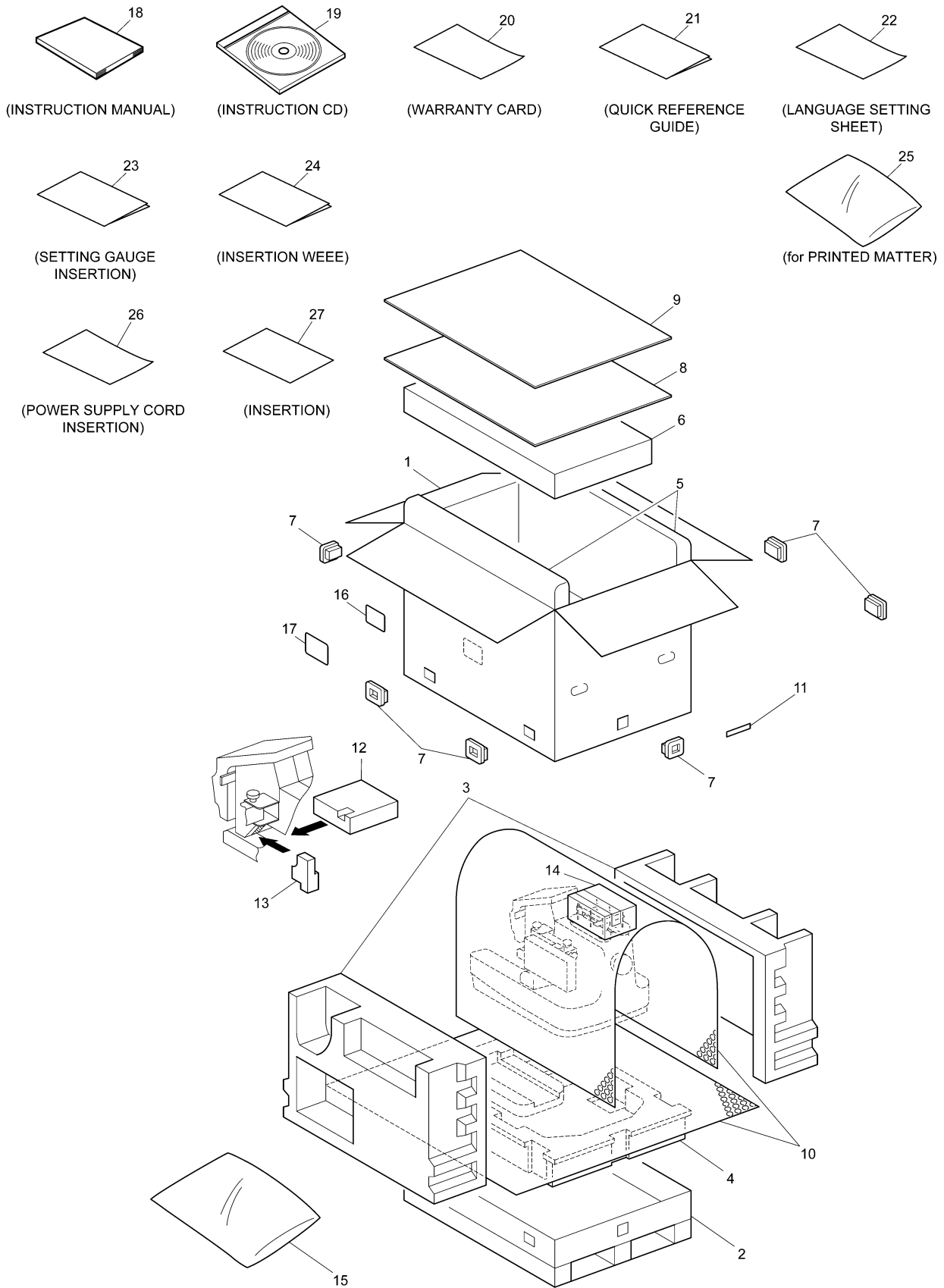
(13) ATTACHMENTS



(13) ATTACHMENTS

No.	CODE	NAME	REMARKS	No.	CODE	NAME	REMARKS
1	XC5954051	TUBULAR FRAME 30X20 ASSY		45	XC6159051	WRENCH 13X10	
2	XC5955051	TUBULAR FRAME 30X20 INNER		46	XD1851051	USB I/F CORE CABLE 3M	
3	XC5956151	TUBULAR FRAME 30X20 OUTER		47	XC5704051	EMBROIDERY SHEET 30X20 ASSY	
4	S32798001	COLLAR		48	XC5721051	EMBROIDERY SHEET 18X13 ASSY	
5	S32799001	NUT, M4		49	XC5759051	EMBROIDERY SHEET 10X10 ASSY	
6	XC5957051	SCREW, M4		50	XC5761051	EMBROIDERY SHEET 06X04 ASSY	
7	S36043000	SPRING, COMPRESSION 5.3X47.7		51	XC6469001	NEEDLE ASSEMBLY	
8	XC5958051	HOLDER 30X20		52	XC6499151	NEEDLE PLATE COVER	
9	062401416	SCREW, PAN M4X14		53	XC7134051	SPOOL FELT	
10	021400206	NUT, 2 M4		54	130012054	SPOOL PRESSER A	
11	X60224051	BAG 350X700H		55	XE7256001	POWER SUPPLY CORD: CSA-CORE (USA, MEX)	
12	XC5959051	TUBULAR FRAME 18X13 ASSY			XE7261001	POWER SUPPLY CORD: IRAM-CORE (ARG)	
13	XC5960051	TUBULAR FRAME 18X13 INNER			XE7263001	POWER SUPPLY CORD: BRZ-CORE (BRA)	
14	XC5961051	TUBULAR FRAME 18X13 OUTER			XE7258001	POWER SUPPLY CORD: BS-CORE (UK)	
15	XC5963051	HOLDER 18X13			XE7257001	POWER SUPPLY CORD: CEE-CORE (OTHER)	
16	XC5964051	TUBULAR FRAME 10X10 ASSY			XE7260001	POWER SUPPLY CORD: SAA-LF CORE (AUS)	1000015674
17	XC5965051	TUBULAR FRAME 10X10 INNER			XE7264001	POWER SUPPLY CORD:TWN-CORE (TWN)	1000021633
18	XC5966051	TUBULAR FRAME 10X10 OUTER			XE7262001	POWER SUPPLY CORD:CHN-CORE (CHN)	1000021627
19	XC5968051	HOLDER 10X10		56	XE6620001	CARD READER HOLDER	
20	060300516	SCREW, BIND M3X5					
21	025030236	WASHER, PLAIN M 3					
22	XZ0197051	BAG 180X470					
23	XC5969051	TUBULAR FRAME 06X04 ASSY					
24	XC5970051	TUBULAR FRAME 06X04 INNER					
25	XC5971051	TUBULAR FRAME 06X04 OUTER					
26	XC5973051	HOLDER 06X04					
27	XC7150051	SHEET (PR650C)					
28	XC6482051	ACCESSORY CASE					
29	XC5159051	HEXAGONAL DRIVER, 1.5					
30	X59476051	CLEANING BRUSH					
31	S34455000	NET, 160L					
32	XC6542051	PINCETTE					
33	X54243051	SEAM RIPPER					
34	XC6543051	SCREW DRIVER, 2X100					
35	XC1807121	SCISSORS					
36	XC5974151	BOBBIN TENSION GAUGE					
37	XA9940051	TOUCH PEN					
38	XC6545051	Z-TYPE SCREW-DRIVER, +-					
39	XZ0206051	OILER B ASSY					
40	XC1074051	DISC-SHAPED SCREWDRIVER					
41	XC6368051	BOBBIN					
42	X60838051	BAG, 70X110C					
43	X55468051	SCREW DRIVER S					
44	XE8362001	NEEDLE EXCHANGE TOOL	1000017855				

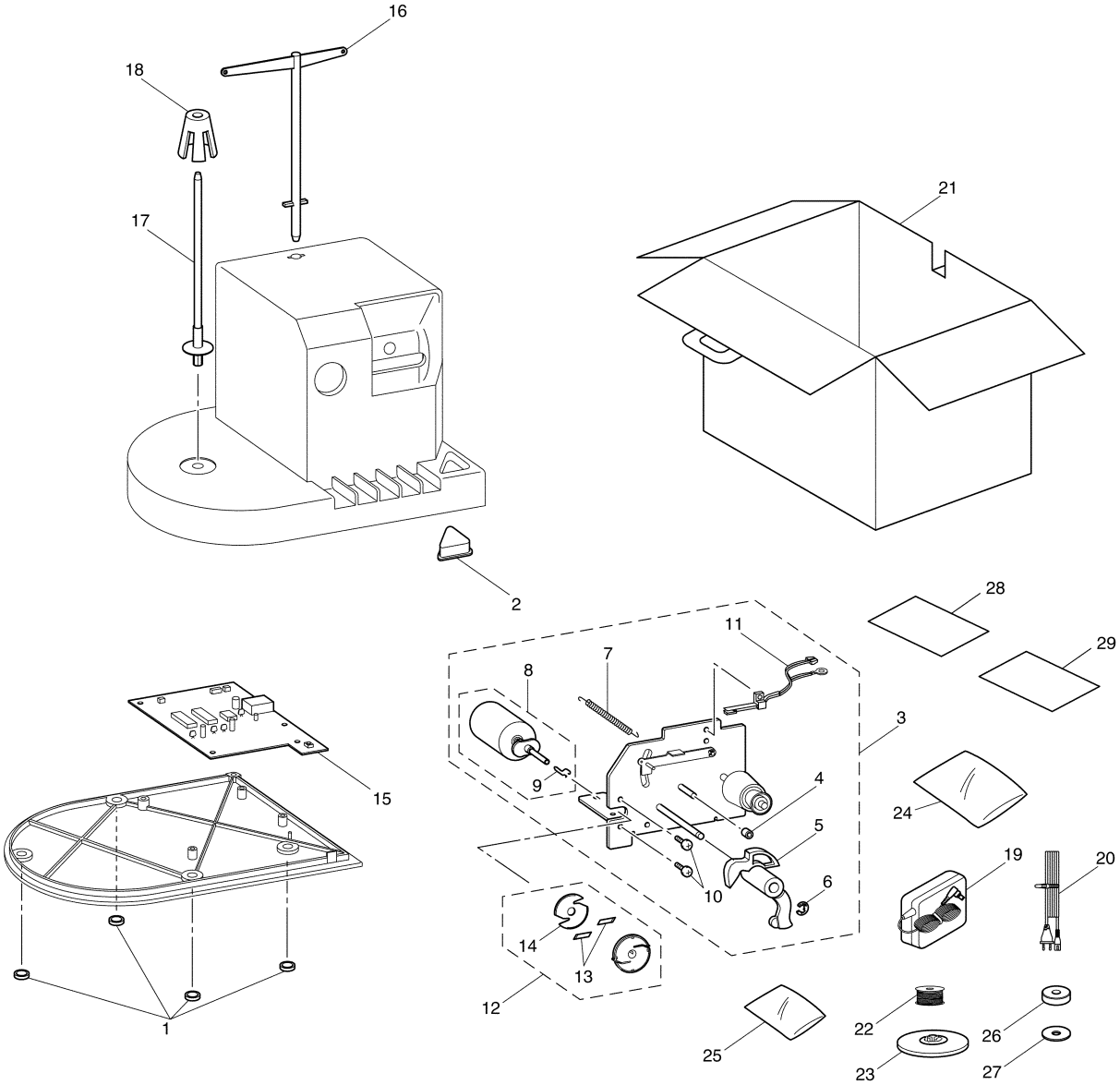
(14) PACKING MATERIALS / PRINTED MATTER



(14) PACKING MATERIALS / PRINTED MATTER

No.	CODE	NAME	REMARKS	No.	CODE	NAME	REMARKS
PACKING MATERIALS							
1	XE7090001	CARTON TOP: MODEL PR650 (RUS)		20	XC6555051	WARRANTY CARD (USA, MEX)	
	XE6365001	CARTON TOP: MODEL PR650 (OTHER)			XE5652001	WARRANTY CARD BROTHER ARG (ARG, PRY)	
2	XE7470001	CARTON BOTTOM ASSY			XE4547001	WARRANTY CARD BR HEM (BRA)	
3	XE7040001	POLYSTYRENE FOAM SUPPLY ASSY			XE7726101	WARRANTY CARD (CAN)	1000019615
4	XC5797250	POLYSTYRENE FOAM PAD BOTTOM	1000020076	21	XE7096001	QUICK REFERENCE GUIDE (EEU, RUS, NEU)	
5	XC5825050	POLYSTYRENE FOAM PAD SIDE			XE6282001	QUICK REFERENCE GUIDE (OTHER)	
6	XC6452050	POLYSTYRENE FOAM PAD TOP			XE9508001	QUICK REFERENCE GUIDE (TWN, CHN)	1000021633
7	XC5848051	JOINT		22	XE7299001	LANGUAGE SETTING SHEET	
8	XC5867050	PAD D		23	XE2272001	SETTING GAUGE INSERTION (PR650C)	
9	XC5932050	CARTON PAD D		24	XD0256151	INSERTION WEEE	
10	XC6459051	SHEET, 1400X2000		25	130800051	BAG 230X310H	
11	S52584001	MERCURY WARNING LABEL 16X92 C2 (USA, MEX, AUS)		26	XE7716001	POWER SUPPLY CORD INSERTION	1000017142
12	XC6585150	POLYSTYRENE FOAM PAD FOOT		27	XE9559001	INSERTION GER (German)	ADD
13	XC7140050	HOOK SUPPORT SF			XE9558001	INSERTION ENG (English)	1000021633
14	XC7154050	ANTENNA PROTECT PAD			XE9505001	INSERTION CHINA (Chinese)	1000022145
15	X60224051	BAG, 350X700H			XE9563001	INSERTION SPA (Spanish)	1000022785
16	XC6557051	C STICKER (PR650C)			XE9560001	INSERTION FRE (French)	1000022785
17	XE7049001	NOM LABEL (PR650: USA, MEX)			XE9565001	INSERTION BR (Portuguese)	1000022785
PRINTED MATTER							
18	XE6280101	INSTRUCTION MANUAL ENGLISH (English)	1000022489		XE9561001	INSERTION DUT (Dutch)	1000022785
	XE6281001	INSTRUCTION MANUAL SPANISH (Spanish)			XE9562001	INSERTION ITA (Italian)	1000022785
	XE7044001	INSTRUCTION MANUAL FRANCE (French)			XE9564001	INSERTION RUS (Russian)	1000022785
	XE7325001	INSTRUCTION MANUAL BR (Portuguese)			XE9897001	UKRAINIAN ROHS INSERTION (Russian)	1000024008
	XE6564001	INSTRUCTION MANUAL GERMANY (German)					
	XE7085101	INSTRUCTION MANUAL NETHERLANDS (Dutch)	1000016142				
	XE7087101	INSTRUCTION MANUAL ITALY (Italian)	1000016142				
	XE7166001	INSTRUCTION MANUAL RUS (Russian)					
	XE9507001	INSTRUCTION MANUAL CHN (Chinese)	1000021633				
19	XE9581001	INSTRUCTION CD BG (EEU)					
	XE9566001	INSTRUCTION CD NOR/DEN/SWE/FIN (NEU)					

(15) ACCESSORY PARTS (BOBBIN WINDER SET)



(15) ACCESSORY PARTS (BOBBIN WINDER SET)

No.	CODE	NAME	REMARKS
BOBBIN WINDER SET			
(EXCEPT: USA, MEX, UK)			
1	X59853050	RUBBER CUSHION	
2	XC6602051	BOBBIN WINDER SS BUTTON	
3	XC6611151	BOBBIN WINDER HOLDER UNIT	1000022540
4	XC6607051	RUBBER	
5	XC6608051	THREAD GUIDE LEVER	
6	048040346	RETAINING RING, E4	
7	XA9545051	SPRING	
8	XC6633051	BOBBIN WINDER MOTOR COMPLETE	
9	XC6628051	BOBBIN WINDER SHAFT SPRING	
10	060300416	SCREW, BIND M3X4	
11	XC7172151	ASSY, BW SWITCH	1000022540
12	XA5876051	BOBBIN BASE ASSY	
13	X80321001	NT LOWER THREAD CUTTER	
14	XA5877051	BOBBIN THREAD CUTTER HOLDER	
15	XC6639151	ASSY: BW PCB	1000022540
16	XC6644151	THREAD GUIDE ROD ASSY	
17	XC5949051	SPOOL PIN	
18	XA0679050	SPOOL CUSHION	
19	XE1610101	AC ADAPTER SA115B-24U	
	XD0318051	AC ADAPTER SUPPLY ASSY EU (EUROPE)	
20	LN2284001	POWER SUPPLY CORD CSA LF (CAN)	
	XD0111151	POWER SUPPLY CORD: IRAM (ARG)	
	XE3210001	POWER SUPPLY CORD: BRZ (BRA)	
	XE7257001	POWER SUPPLY CORD (OTHER)	
	XC9548051	POWER SUPPLY CORD: SAA-LF (AUS)	
	XA0070151	POWER SUPPLY CORD (SGP, UAE)	1000020977
	XD0225051	POWER SUPPLY CORD:TWN (TWN)	1000021633
	XA5820051	MAIN POWER CODE (CHN)	1000021627
21	XC6630051	BOBBIN WINDER CARTON	
22	100376053	BOBBIN	
23	130012054	SPOOL PRESSER A	
24	XC5720051	BAG 260X440H	
25	X57367051	BAG, 135X150	
26	XC5974151	BOBBIN TENSION GAUGE	
27	XC6631051	BOBBIN TENSION GAUGE 45G	
28	XC7250051	INSERTION FOR THREAD TENSION	
29	XD0256151	INSERTION WEEE	

brother®

PR650/PR650C
10H09HF884T05