



Home Sewing Machine

PARTS REFERENCE LIST

**MODEL: XL5010/5010NTP/5011/5011AV/5011NTC
5011NTP/5012/5012AV/5012NTP
5012NTP AV/5020/5020NTP/5021/5021AV
5021NTC/5021NTP/5022AV/5022NTP
5022NTP AV/5030/5030NTP/5031/5031AV
5031NTC/5031NTP/5032/5032AV/5032NTP
5032NTP AV/5050/5050NTC/5050NTC AV
5060/5060NTC/5060NTC AV/5070/5070NTC
5070NTC AV/5130/5232/5300/5340
5500/5500SE/5500HC/5500NTC AV
5600/5600HC/5600NTC AV
5700/5700SE/5700HC/5700NTC AV
PX100/100HC/100NTC/110NTC/150
200/200HC/200NTC/220NTC
300/300HC/300NTC/330NTC
RPX100/RXL5130/5232/5340
RS15/20/25/30/35/ML55/65/75/PS21
PRESTIGE50/100/200/300**

MECHANISMS & ELECTRONICS

CONTENTS

| | |
|--|----|
| (1) PRINCIPAL PARTS (XL Series) | 2 |
| PRINCIPAL PARTS (PX Series) | 6 |
| (2) UPPER SHAFT / NEEDLE BAR / THREAD TENSION / PRESSER MECHANISM | 10 |
| (3) HORIZONTAL FEED / VERTICAL FEED MECHANISM | 12 |
| (4) FEED ADJUSTMENT MECHANISM | 14 |
| (5) ROTARY HOOK DRIVE / ROTARY HOOK MECHANISM | 16 |
| (6) ZIGZAG / BH MECHANISM | 18 |
| (7) PATTERN SELECTION MECHANISM without BH CONNECTING LINK ASSY | 20 |
| PATTERN SELECTION MECHANISM with BH CONNECTING LINK ASSY | 22 |
| (8) BOBBIN WINDER / THREAD GUIDE / LAMP MECHANISM .. | 24 |
| (9) MOTOR UNIT | 26 |
| (10) ATTACHMENTS / PACKING MATERIALS / PRINTED MATTERS | 30 |

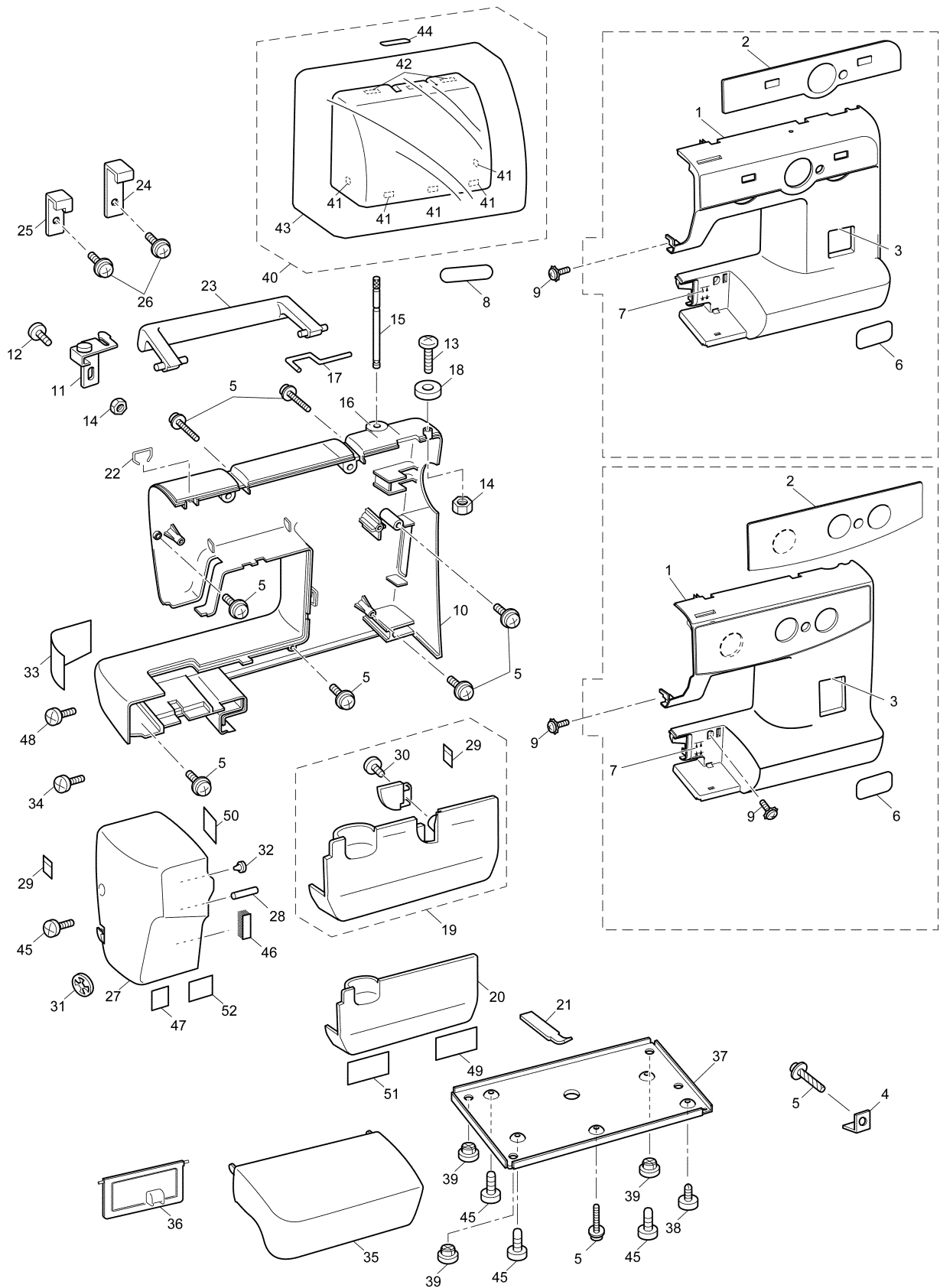
Note on parts:

We keep performance parts for this sewing machine for at least 8 years after this model is discontinued. Performance parts are the necessary parts to maintain the function of the sewing machine.

(1) PRINCIPAL PARTS (XL Series)

| No. | CODE. | NAME | REMARKS | No. | CODE. | NAME | REMARKS | |
|-----------|--------------------------|--|------------|-----------|---|---|---|--|
| 1 | XA5721021 | FRONT COVER (XL5300) | | | XA6010023 | DISPLAY SHEET (XL5010*) | | |
| | XA5721024 | FRONT COVER (XL5130, RXL5130) | | | XA6010027 | DISPLAY SHEET (XL5011*) | | |
| | XA5721025 | FRONT COVER (XL5232, RXL5232) | | | XA6010028 | DISPLAY SHEET (XL5021*) | | |
| | XA5721026 | FRONT COVER (XL5340, RXL5340) | | | XA6010029 | DISPLAY SHEET (XL5031*) | | |
| | XA6009021 | FRONT COVER (XL501*) | | | XA6010031 | DISPLAY SHEET (XL5012*) | | |
| | XC7329021 | FRONT COVER (XL5500, XL5500HC, XL5500NTC AV) | | | XA6010032 | DISPLAY SHEET (XL5032*) | | |
| | XC7329022 | FRONT COVER (XL5600*) | | | XA6010033 | DISPLAY SHEET (XL5022*) | | |
| | XC7329023 | FRONT COVER (XL5700, XL5700HC, XL5700NTC AV) | | | XC7331034 | DECORATION PLATE (XL5700SE) | 1000003125 | |
| | XC7329024 | FRONT COVER (XL5500SE) | | | XC7331039 | DECORATION PLATE (RS20) | | |
| | XC7329025 | FRONT COVER (RS15) | | | XC7331040 | DECORATION PLATE (RS30) | | |
| | XC7329026 | FRONT COVER (RS25) | | | XC7331041 | DECORATION PLATE (PRESTIGE50) | | |
| | XC7329027 | FRONT COVER (RS35) | | | XC7331045 | DISPLAY SHEET (ML55) | ADD | |
| | XC7329028 | FRONT COVER (XL5700SE) | 1000003125 | XC7331046 | DISPLAY SHEET (ML65) | ADD | | |
| | XC7329030 | FRONT COVER (RS20) | | XC7331047 | DISPLAY SHEET (ML75) | ADD | | |
| | XC7329031 | FRONT COVER (RS30) | | XC7331048 | DECORATION PLATE (PS21) | 1000002336 | | |
| | XC7329032 | FRONT COVER (PRESTIGE100) | | 3 | XA4657021 | CUSHION (OTHER) | | |
| | XC7329033 | FRONT COVER (PRESTIGE200) | | | XA4657051 | CUSHION (XL5130, XL5232: U.S.A.), (XL5340), (RXL5130), (RXL5232), (RXL5340) | | |
| | XC7329034 | FRONT COVER (PRESTIGE300) | | 4 | XA5732021 | BOTTOM HOLD PLATE | | |
| | XC7329035 | FRONT COVER (PS21) | 1000002336 | 5 | XA3337022 | TAPTITE CUP P M4X20 | | |
| | XC7431021 | FRONT COVER (XL5050*, XL5060*, XL5070*, ML55, 65, 75) | | 6 | XA5748021 | MYLAR STICKER 4STEP (XL5130, XL5500: CANADA) | | |
| XC7431023 | FRONT COVER (PRESTIGE50) | | XA5749021 | | MYLAR STICKER 1STEP (XL5232, XL5600, XL5700: CANADA) | | | |
| 2 | XA5739021 | DECORATION PLATE (XL5300) | | 7 | XA6583022 | DROP MARK (XL5500, XL5600, XL5700: GER, U.K, FRA, SWI, SIN, CHN, MYS, AUS), (RS15, 25), (XL5500SE, 5500HC, 5500NTC AV), (RS20, 30), (XL5600HC, 5600NTC AV), (XL5700SE, 5700HC, 5700NTC AV), (PRESTIGE100, 200, 300) | 1000009514 | |
| | XA5739027 | DECORATION PLATE (XL5130, RXL5130) | | | 8 | XC8623021 | QUICK SYSTEM STICKER (RS30, 35) | |
| | XA5739028 | DECORATION PLATE (XL5232, RXL5232) | | | | XC8623022 | QUICK SYSTEM STICKER (RS20) | |
| | XA5739029 | DECORATION PLATE (XL5340, RXL5340) | | | | XC8623023 | QUICK SYSTEM STICKER (PRESTIGE50, 100, 200, 300) | |
| | XC7331021 | DECORATION PLATE (XL5500, XL5500HC, XL5500NTC AV) | | | 9 | 053400806 | SCREW, PAN (T WASHER) M4X8 | |
| | XC7331022 | DECORATION PLATE (XL5600*) | | | 10 | XA5723121 | REAR COVER (OTHER) | |
| | XC7331023 | DECORATION PLATE (XL5700, XL5700HC, XL5700NTC AV) | | | | XC7333021 | REAR COVER (XL5050*, XL5060*, XL5070*, XL5500*, PS21, XL5600*, XL5700*, RS15, 20, 25, 30, 35, ML55, 65, 75, PRESTIGE50, 100, 200, | |
| | XC7331025 | DECORATION PLATE (XL5060*) | | | 11 | XA6106021 | THREAD GUIDE ASSY | |
| | XC7331027 | DECORATION PLATE (XL5050*) | | | 12 | 0A5301006 | SCREW, PAN (S/P WASHER) M3X10 | |
| | XC7331028 | DECORATION PLATE (XL5070*) | | | 13 | 052301606 | SCREW, PAN (S/P WASHER) M3X16 | |
| | XC7331029 | DECORATION PLATE (XL5500SE) | | | 14 | 021300106 | NUT, 1 M3 | |
| | XC7331031 | DECORATION PLATE (RS-15) | | | 15 | 188058121 | SPOOL PIN | |
| | XC7331032 | DECORATION PLATE (RS-25) | | 16 | XA4441021 | SPOOL PIN STAND | | |
| | XC7331033 | DECORATION PLATE (RS-35) | | 17 | XA0628121 | SPOOL PIN SPRING | 1000012082 | |
| | XC7331042 | DECORATION PLATE (PRESTIGE100) | | | | | | |
| | XC7331043 | DECORATION PLATE (PRESTIGE200) | | | | | | |
| | XC7331044 | DECORATION PLATE (PRESTIGE300) | | | | | | |
| | XA6010021 | DISPLAY SHEET (XL5030*) | | | | | | |
| | XA6010022 | DISPLAY SHEET (XL5020*) | | | | | | |

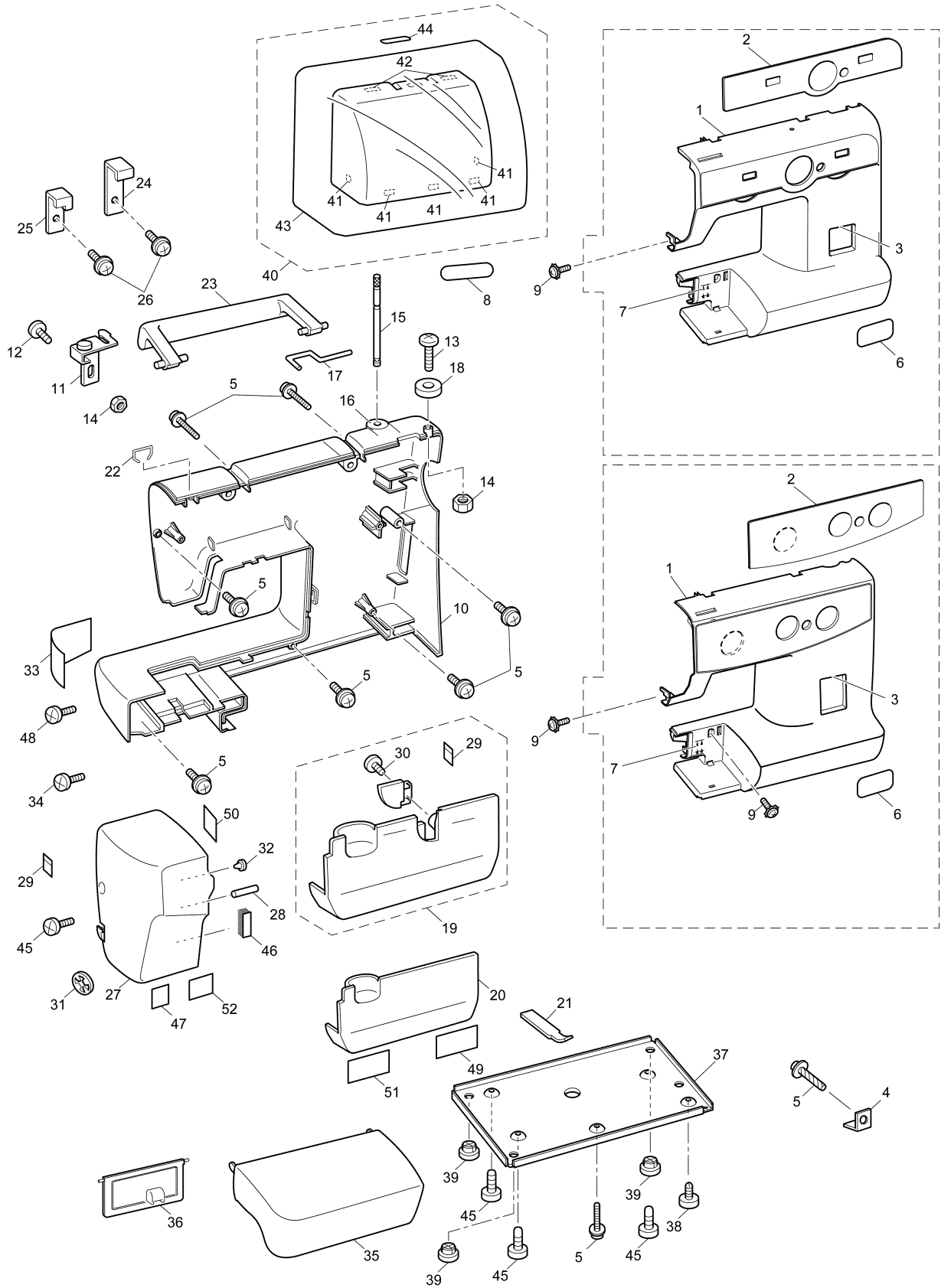
(1) PRINCIPAL PARTS (XL Series)



(1) PRINCIPAL PARTS (XL Series)

| No. | CODE. | NAME | REMARKS | No. | CODE. | NAME | REMARKS |
|-----|-----------|---|---------|-----|-----------|---|------------|
| 18 | X59864221 | BOBBIN PRESSER | 040152 | 36 | XA5731222 | ACCESSORY TABLE COVER (XL5050*, XL5060*, XL5070*, XL5500*, XL5600*, XL5700*, RS15, 20, 25, 30, 35, ML55, 65, 75, PRESTIGE50, 100, 200, 300) | |
| 19 | XA5724021 | HINGE DOOR ASSY (XL5340) | | 37 | XA4569020 | BASE PLATE | |
| | XA5724022 | HINGE DOOR ASSY (XL5700*, RS20, RS30, RS35, PS21, PRESTIGE50, 100, 200, 300) | | 38 | XA4687021 | ADJUSTING SCREW ASSY | |
| 20 | XA5963021 | HINGE DOOR (OTHER) | | 39 | XA1805021 | BASE RUBBER A | |
| 20 | XA5963022 | HINGED DOOR (XL5050*, XL5060*, XL5070*, XL5500*, XL5600*, RS15, RS25, ML55, 65, 75, PRESTIGE100, 200, 300) | | 40 | XC0425021 | MACHINE COVER ASSY (XL5020: KOREA, XL5***HC) | |
| 21 | X53638121 | SPRING | | 41 | 125440050 | CASE FELT (XL5020: KOREA, XL5***HC) | |
| 22 | X53625121 | UPPER COVER THREAD GUIDE | | 42 | XZ0016050 | CASE FELT TOP (XL5020: KOREA, XL5***HC) | |
| 23 | XA5726121 | HANDLE (OTHER) | | 43 | X60678051 | BAG 700X630H (XL5020/5500/5600/5700: KOREA, XL5***HC) | 1000013225 |
| | XA5726122 | HANDLE (XL5050*, XL5060*, XL5070*, XL5500*, PS21, XL5600*, XL5700*, RS15, 20, 25, 30, 35, ML55, 65, 75, PRESTIGE50, 100, 200, 300) | | 44 | XA3028021 | DECORATION PLATE (XL5020: KOREA, XL5***HC) | |
| 24 | XA8476020 | HANDLE HOLDER XR | | 45 | 060400816 | SCREW, BIND M4X8 | |
| 25 | XA8477020 | HANDLE HOLD R XL | | 46 | XA6661021 | PILE (OTHER) | |
| 26 | XA3337022 | TAPTITE, CUP P M4X20 | | | XA6661051 | PILE (RXL5130, RXL5232, RXL5340) | |
| 27 | XA5728121 | FACE PLATE (OTHER) | | 47 | XC4167021 | CAUTION STICKER (KOREA) | |
| 27 | XC7336021 | FACE PLATE (XL5050*, XL5060*, XL5070*, XL5500*, PS21, XL5600*, XL5700*, RS15, 20, 25, 30, 35, ML55, 65, 75, PRESTIGE50, 100, 200, 300) | | 48 | 138172021 | SCREW, PAN (S/P WASHER) M4X10 (OTHER) | |
| 28 | 0A0211850 | PIN SPRING ROLL BW2 | | | 138172051 | SCREW, PAN (S/P WASHER) M4X10 (RXL5130, RXL5232, RXL5340, XL5500SE) | |
| 29 | X80321001 | NT LOWER THREAD CUTTER (RXL5130, RXL5232, RXL5340) | | 49 | XA2107221 | LABEL (XL5500, XL5700: U.S.A., CAN, CHILE) (XL5232), (XL5600: U.S.A., CAN), (XL5340), (XL5300), (XL5130) | |
| | X80321021 | NT LOWER THREAD CUTTER (OTHER) | | | XA2107251 | LABEL (RXL5130, RXL5232: U.S.A.) | |
| 30 | 136681021 | TAPTITE, BIND B M3X8 (XL5340, XL5700*, RS35, PRESTIGE100, 200, | | 50 | 125782021 | SEW-LIGHT RATING STICKER (XL5500, XL5600, XL5700: U.S.A., CAN, ARG, PRY), (XL5130), (XL5232), (XL5300), (XL5340) | |
| 31 | 138384021 | RETAINING RING, CS5 (OTHER) | | | 125782051 | SEW-LIGHT RATING STICKER (RXL5130, RXL5232: U.S.A.) | |
| | 138384051 | RETAINING RING, CS5 (RXL5130, RXL5232, RXL5340) | | 51 | X56455021 | HINGE DOOR LABEL (XL501*, XL5050*, XL502*, XL5060*, XL503*, XL5070*: U.K.), (XL5130), (XL5232), (XL5340), (XL5500*, XL5600*, XL5700*: U.S.A., CAN, U.K.) | |
| 32 | X51895021 | FACE PLATE BUSH | | | X56455051 | HINGE DOOR LABEL (RXL5130, RXL5232: U.S.A.) | |
| | X51895051 | FACE PLATE BUSH (RXL5130, RXL5232, RXL5340) | | 52 | XC3372021 | UPPER THREADING LABEL (XL501*, XL502*, XL503*: U.K.) | |
| 33 | XA4468021 | REAR COVER REFLECTOR | | | XC6750021 | UPPER THREADING LABEL (XL5050*, XL5060*, XL5070*, XL5500*, XL5600*, XL5700*: U.K.) | |
| 34 | 060401416 | SCREW, BIND M4X14 | | | | | |
| 35 | XA5730021 | ACCESSORY TABLE (OTHER) | | | | | |
| | XA5730024 | ACCESSORY TABLE (XL5050*, XL5060*, XL5070*, XL5500*, XL5600*, XL5700*, RS15, 20, 25, 30, 35, ML55, 65, 75, PRESTIGE50, 100, 200, 300) | | | | | |
| 36 | XA5731221 | ACCESSORY TABLE COVER (OTHER) | | | | | |

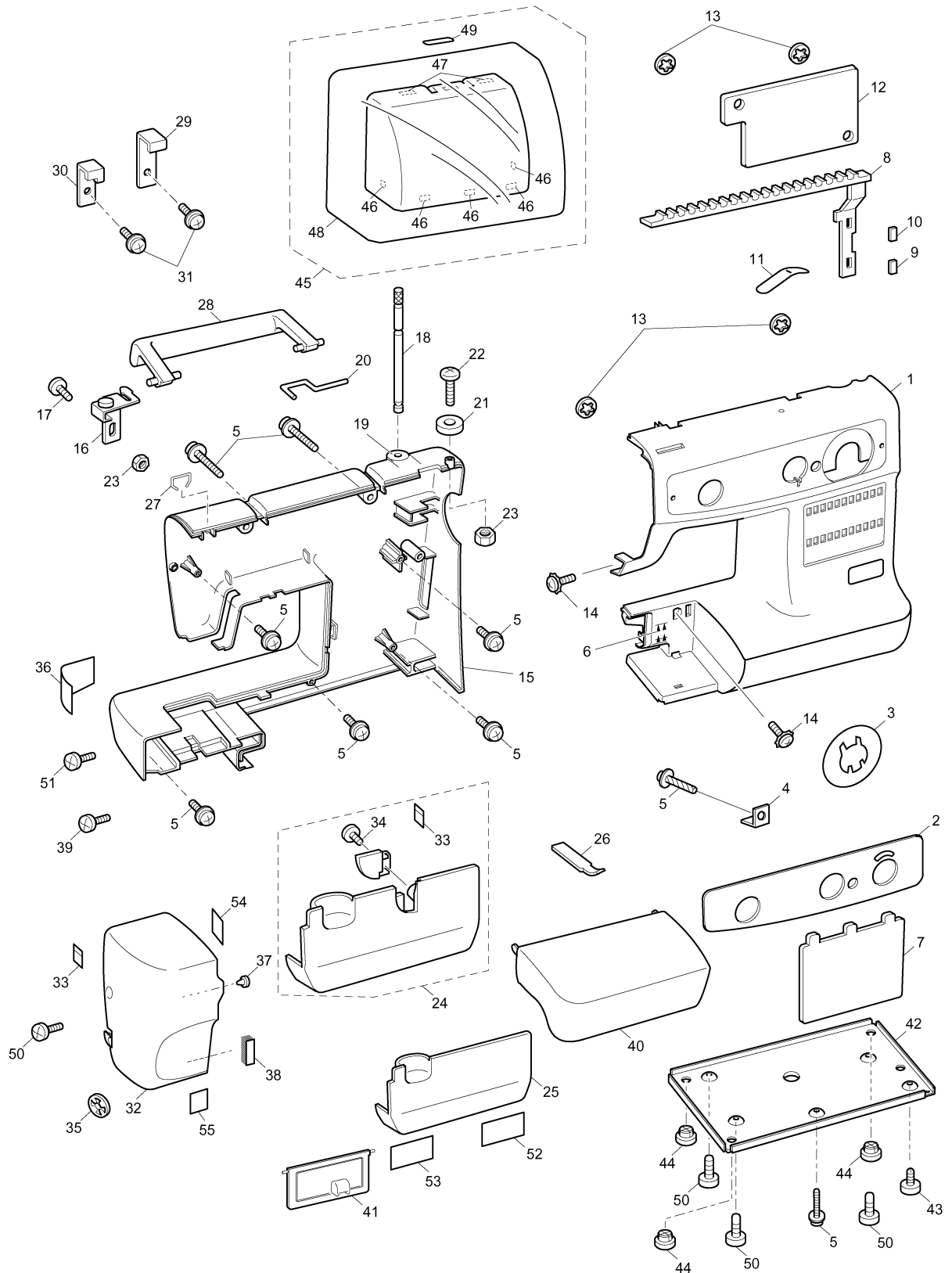
(1) PRINCIPAL PARTS (XL Series)



(1) PRINCIPAL PARTS (PX Series)

| No. | CODE. | NAME | REMARKS | No. | CODE. | NAME | REMARKS |
|-----|-----------|--|---------------------------|-----------|---------------------------------|---|-----------------|
| 1 | XA6356021 | FRONT COVER (PX200, PX200NTC, PX200HC, PX220NTC, PX300, PX300HC, PX300NTC, PX330NTC) | | | XA6394023 | PATTERN DECORATION PLATE (PX100: ARGENTINE, CHILE, MEXICO) | |
| | XA6393021 | FRONT COVER (PX100, PX100HC, PX100NTC, PX110NTC, PX150) | | | XA6394025 | PATTERN DECORATION PLATE (PX100NTC, PX110NTC, PX150) | |
| 2 | XA6357021 | PANEL DECORATION PLATE (PX300) | | 8 | XA6360021 | PATTERN DISPLAY RACK | |
| | XA6357023 | PANEL DECORATION PLATE (PX200, except PX200: U.S.A.) | | 9 | XA6361021 | DISPLAY PLATE | |
| | XA6357024 | PANEL DECORATION PLATE (PX100) | | 10 | XA6361022 | DISPLAY PLATE | |
| | XA6357026 | PANEL DECORATION PLATE (PX200: U.S.A.) | | 11 | XA6362020 | SPRING | |
| | XA6357031 | PANEL DECORATION PLATE (PX100NTC) | | 12 | XA6363021 | DISPLAY REAR PLATE | |
| | XA6357032 | PANEL DECORATION PLATE (PX200NTC) | | 13 | 146200021 | RETAINING RING, CS4 | 050186 |
| | XA6357033 | PANEL DECORATION PLATE (PX300NTC) | | 14 | 053400806 | SCREW, PAN (T WASHER) M4X8 | |
| | XA6357034 | PANEL DECORATION PLATE (PX330NTC) | | 15 | XA5723121 | REAR COVER | |
| | XA6357035 | PANEL DECORATION PLATE (PX150) | | 16 | XA6106021 | THREAD GUIDE ASSY | 040161 |
| | XA6357036 | PANEL DECORATION PLATE (PX110NTC) | | 17 | 0A5301006 | SCREW, PAN (S/P WASHER) M3X10 | |
| | XA6357037 | PANEL DECORATION PLATE (PX220NTC) | | 18 | 188058121 | SPOOL PIN | |
| | 3 | XA6358021 | F PATTERN INDICATOR PLATE | | 19 | XA4441021 | SPOOL PIN STAND |
| 4 | XA5732021 | BOTTOM HOLD PLATE | | 20 | XA0628021 | SPOOL PIN SPRING | |
| 5 | XA3337022 | TAPTITE CUP P M4X20 | | 21 | X59864221 | BOBBIN PRESSER | 040152 |
| 6 | XA6583021 | DROP MARK | | 22 | 052301606 | SCREW, PAN (S/P WASHER) M3X16 | |
| 7 | XA6359021 | PATTERN DECORATION PLATE (PX300) | | 23 | 021300106 | NUT, 1 M3 | |
| | XA6359023 | PATTERN DECORATION PLATE (PX300: ARGENTINE, CHILE, MEXICO) | | 24 | XA5724021 | HINGE DOOR ASSY | |
| | XA6359025 | PATTERN DECORATION PLATE (PX300NTC, PX330NTC) | | 25 | XA5963021 | HINGE DOOR | |
| | XA6392021 | PATTERN DECORATION PLATE (PX200) | | 26 | X53638121 | SPRING | |
| | XA6392022 | PATTERN DECORATION PLATE (PX200: U.S.A.) | | 27 | X53625121 | UPPER COVER THREAD GUIDE | |
| | XA6392023 | PATTERN DECORATION PLATE (PX200: ARGENTINE, CHILE, MEXICO) | | 28 | XA5726121 | HANDLE | |
| | XA6392025 | PATTERN DECORATION PLATE (PX200NTC, PX220NTC) | | 29 | XA8476020 | HANDLE HOLDER XR | |
| | XA6394021 | PATTERN DECORATION PLATE | | 30 | XA8477020 | HANDLE HOLDER XL | |
| | | | | 31 | XA3337022 | TAPTITE, CUP P M4X20 | |
| | | | | 32 | XA6365121 | FACE PLATE | |
| | | | 33 | X80321001 | NT LOWER THREAD CUTTER (RPX100) | | |
| | | | | X80321021 | NT LOWER THREAD CUTTER | | |
| | | | 34 | 136681021 | TAPTITE, BIND B M3X8 | | |
| | | | 35 | 138384021 | RETAINING RING, CS5 | | |
| | | | | 138384051 | RETAINING RING, CS5 (RPX100) | | |
| | | | 36 | XA4468021 | REAR COVER REFLECTOR | | |
| | | | 37 | X51895021 | FACE PLATE BUSH | | |
| | | | | X51895051 | FACE PLATE BUSH (RPX100) | | |
| | | | 38 | X52654001 | PILE 19X5X6 | 1000014431 | |
| | | | 39 | 060401416 | SCREW, BIND M4X14 | | |
| | | | 40 | XA5730022 | ACCESSORY TABLE | | |
| | | | 41 | XA5731221 | ACCESSORY TABLE COVER | | |
| | | | 42 | XA4569020 | BASE PLATE | | |
| | | | 43 | XA4687021 | ADJUSTING SCREW ASSY | | |
| | | | 44 | XA1805021 | BASE RUBBER A | | |

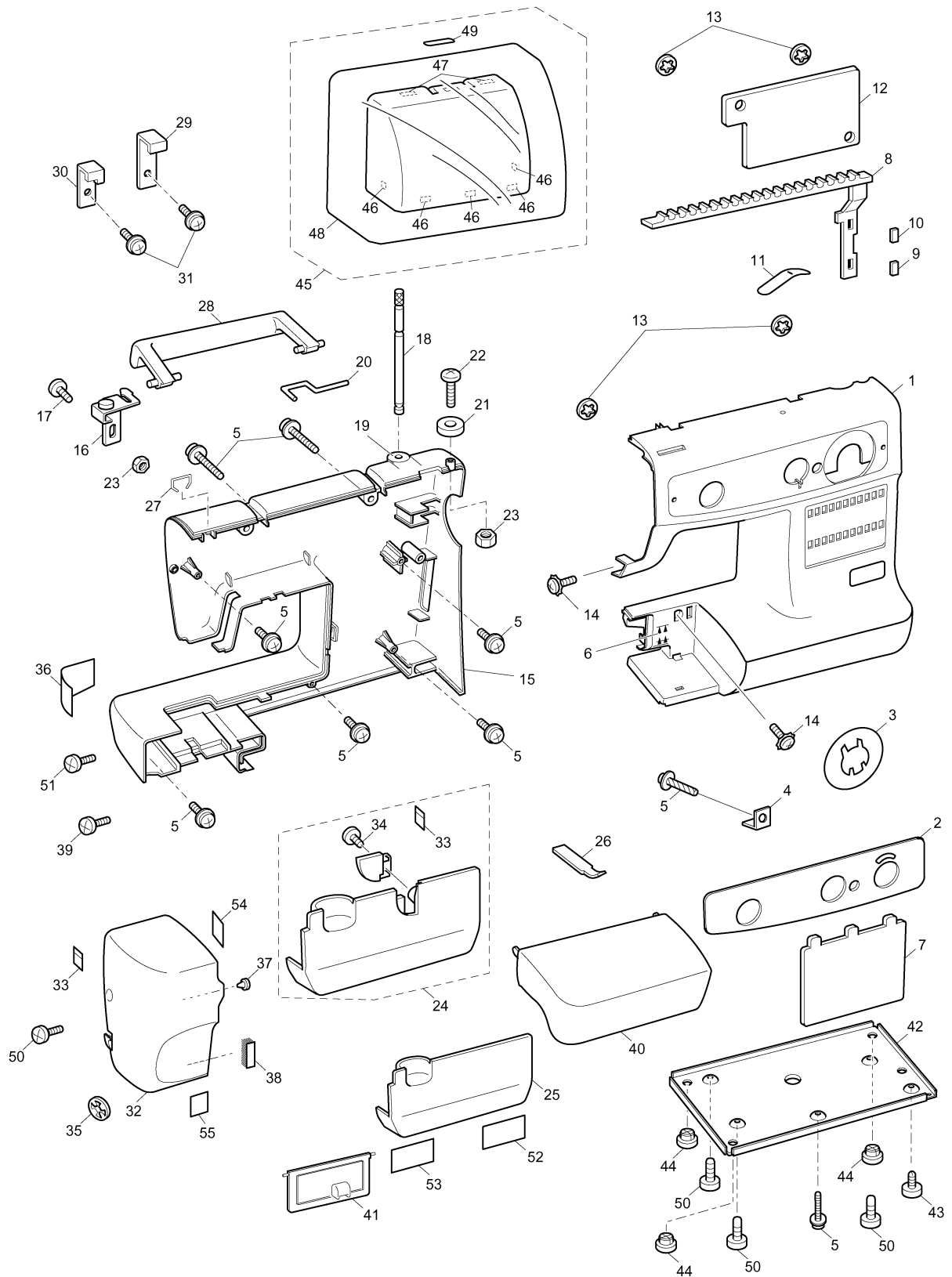
(1) PRINCIPAL PARTS (PX Series)



(1) PRINCIPAL PARTS (PX Series)

| No. | CODE. | NAME | REMARKS |
|-----|-----------|--|------------|
| 45 | XC0425021 | MACHINE COVER ASSEMBLY (PX100HC), (PX100: KOREA) (PX200HC), (PX200: KOREA, IRAQ) (PX300HC), (PX300: IRAQ) | |
| 46 | 125440050 | CASE FELT (PX100HC), (PX100: KOREA) (PX200HC), (PX200: KOREA, IRAQ) (PX300HC), (PX300: IRAQ) | |
| 47 | XZ0016050 | CASE FELT TOP (PX100HC), (PX100: KOREA) (PX200HC), (PX200: KOREA, IRAQ) (PX300HC), (PX300: IRAQ) | |
| 48 | X60678051 | BAG 700X630H (PX100HC), (PX100: KOREA) (PX200HC), (PX200: KOREA, IRAQ) (PX300HC), (PX300: IRAQ) | 1000013225 |
| 49 | XA3028021 | DECORATION PLATE (PX100HC), (PX100: KOREA) (PX200HC), (PX200: KOREA, IRAQ) (PX300HC), (PX300: IRAQ) | |
| 50 | 060400816 | SCREW, BIND M4X8 | |
| 51 | 138172021 | SCREW, PAN (S/P WASHER) M4X10 | |
| | 138172051 | SCREW, PAN (S/P WASHER) M4X10 (RPX100, PX220NTC) | |
| 52 | XA2107221 | LABEL (PX100, PX200, PX300: U.S.A.) | |
| 53 | X56455021 | HINGE DOOR LABEL (PX100, PX200, PX300: U.S.A.) | |
| 54 | 125782021 | SEW-LIGHT RATING STICKER (PX100, PX200, PX300: U.S.A.) | |
| 55 | XC4167021 | CAUTION STICKER (KOREA) | |
| | | | |
| | | | |
| | | | |
| | | | |
| | | | |
| | | | |
| | | | |
| | | | |
| | | | |
| | | | |
| | | | |
| | | | |
| | | | |

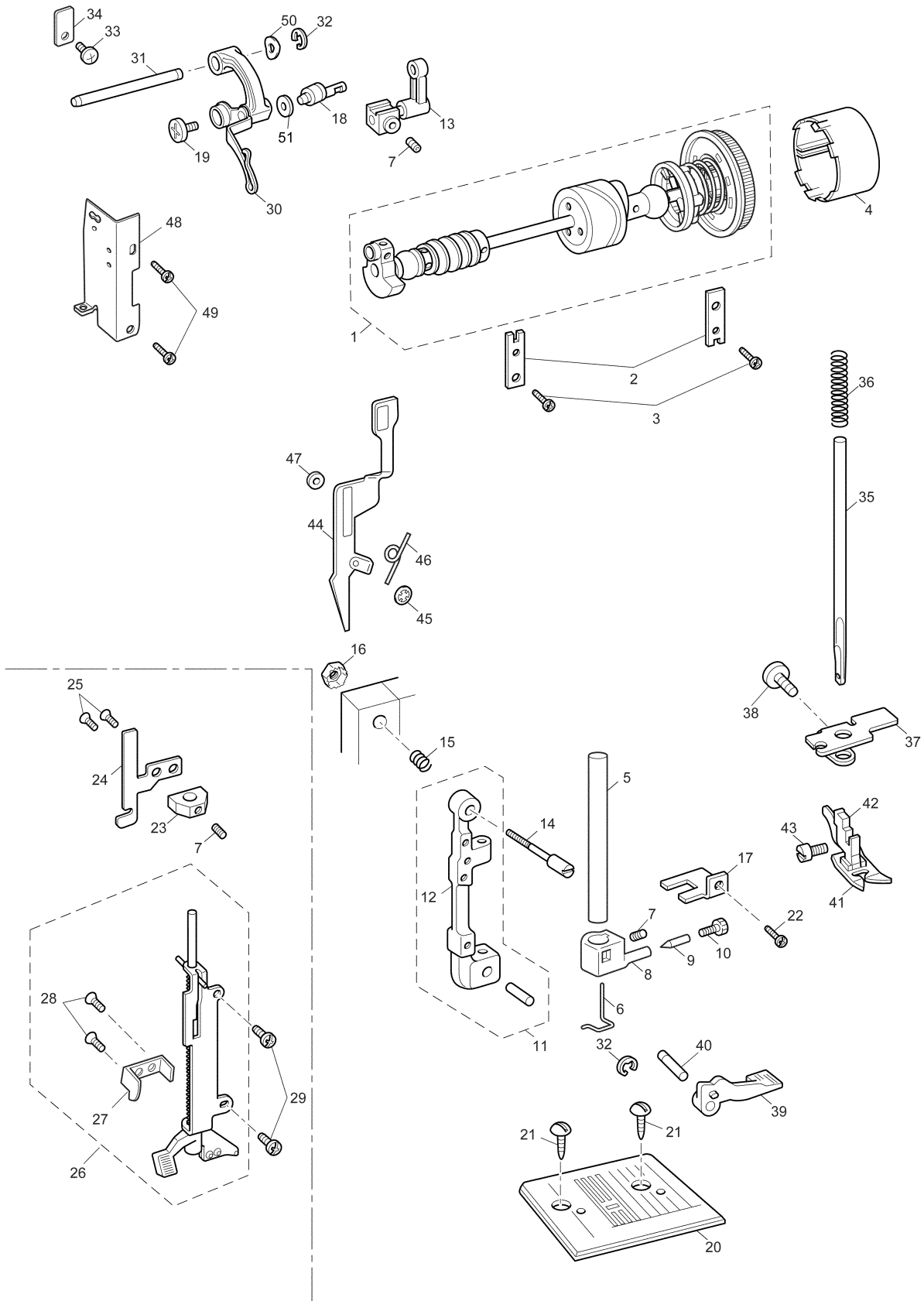
(1) PRINCIPAL PARTS (PX Series)



(2) UPPER SHAFT / NEEDLE BAR / THREAD TENSION / PRESSER MECHANISM

| No. | CODE. | NAME | REMARKS | No. | CODE. | NAME | REMARKS |
|--------------------------|-----------|--|------------|-------------------|-----------|---|------------|
| UPPER SHAFT MECHANISM | | | | PRESSER MECHANISM | | | |
| 1 | XE3696001 | UPPER SHAFT SUPPLY ASSY | 1000006160 | 35 | XA2402050 | PRESSER BAR | |
| 2 | X52478021 | BUSHING PRESSER | | | XA2402020 | PRESSER BAR (XL5050NTC), (XL5060NTC), (XL5070NTC), (XL5500: U.S.A., CAN, CHILE, MYS, AUS, ARG, PRY), (XL5500SE), (XL5600: U.S.A., CAN), (XL5***NTC AV), (XL5700**), (PS21), (RS20, 30), (PRESTIGE50, 100, 200, 300) | |
| 3 | X57908021 | TAPTITE, BIND S M4X10 | | | 128437020 | PRESSER BAR (XL5010), (XL5011, 5011AV), (XL5012, 5012AV), (XL5020), (XL5021, 5021AV), (XL5022AV), (XL5030), (XL5031, 5031AV), (XL5032, 5032AV), (PX100, 200), (XL5050), (XL5060), (XL5070), (RS15, 25), (XL5500, XL5600: GER, U.K., FRA), (XL5500HC, 5600HC), (ML55), (ML65), (ML75) | 040158 |
| 4 | XA8378021 | PULLEY | | | | | |
| | XA8378022 | PULLEY (XL5050*, XL5060*, XL5070*, XL5500*, PS21, XL5600*, XL5700*, RS15, 20, 25, 30, 35, ML55, 65, 75, PRESTIGE50, 100, 200, 300) | | | | | |
| NEEDLE BAR MECHANISM | | | | | | | |
| 5 | XA2358121 | NEEDLE BAR | | 36 | X55770021 | PRESSER BAR SPRING | |
| 6 | XZ0005020 | NEEDLE BAR THREAD GUIDE | | 37 | XA3955121 | PRESSER BAR BRACKET | |
| 7 | 012400432 | SET SCREW, SOCKET (FT) M4X4 | | 38 | X52760021 | SET SCREW, PAN M6X12 | |
| 8 | XZ0001121 | NEEDLE CLAMP | | 39 | XA2511121 | PRESSER FOOT LIFTER | |
| 9 | XA5718121 | NEEDLE CLAMP PIN | 040212 | 40 | XA0977120 | PRESSER FOOT LIFTER STUD | |
| 10 | XZ0002021 | NEEDLE CLAMP SCREW | | 41 | 138135122 | ZIGZAG PRESSER FOOT (OTHER) | |
| 11 | XA8379021 | NEEDLE BAR SUPPORTER ASSY | | | 138135152 | ZIGZAG PRESSER FOOT (RXL5130, RXL5232, RXL5340, RPX100) | |
| 12 | XA3952220 | NEEDLE BAR SUPPORTER | | 42 | 138134021 | PRESSER FOOT HOLDER (OTHER) | |
| 13 | XA1289121 | NEEDLE BAR CRANK ROD ASSY | | | 138134051 | PRESSER FOOT HOLDER (RXL5130, RXL5232, RXL5340, RPX100) | |
| 14 | XA3477021 | NEEDLE BAR SUPPORTER STUD | | 43 | 132730122 | TIGHTENING SCREW 3.57 | |
| 15 | X54369021 | SPRING | | 44 | XA5796021 | TENSION RELEASER C | |
| 16 | X56851021 | LOCK NUT | | 45 | 120454021 | RETAINING RING, CS3 (OTHER) | |
| 17 | XA8380021 | NEEDLE BAR SUPPORTER GUIDE | | | 120454051 | RETAINING RING, CS3 (RXL5130, RXL5232, RXL5340, RPX100) | |
| 18 | X59115321 | NEEDLE BAR CRANK | 1000001816 | 46 | XA5797021 | SPRING | |
| 19 | 132051022 | SCREW, FLAT SM3.57-40X7 L | | 47 | 025030236 | WASHER, PLAIN M3 | |
| 20 | XA3954121 | ZIGZAG NEEDLE PLATE | 1000011532 | 48 | XA5737021 | BH LEVER SET PLATE (except XL5600HC, 5700HC, PRESTIGE200, 300) | |
| 21 | X50487021 | SCREW M4 | 1000010447 | 49 | X57908021 | TAPTITE, BIND S M4X10 (except XL5600HC, 5700HC, PRESTIGE200, 300) | |
| 22 | X57908021 | TAPTITE, BIND S M4X10 (except XL5500HC, 5600HC) | | 50 | XA1866021 | WASHER, SPRING | 060111 |
| 23 | XA2367020 | NEEDLE THREADER SET COLLAR | | 51 | X53330020 | WASHER | 1000007047 |
| 24 | XA0430021 | NEEDLE THREADER SET PLATE | | | | | |
| 25 | 004260405 | SCREW, FLAT M2.6X4 | | | | | |
| 26 | XA5535021 | NEEDLE THREADER SUPPORTER ASSY | | | | | |
| 27 | XA0445251 | THREADER HOOK ASSEMBLY | 060001 | | | | |
| 28 | 037200516 | TAPPING SCREW, PAN V M2X5 | 040207 | | | | |
| 29 | 060400616 | SCREW, BIND M4X6 | | | | | |
| THREAD TENSION MECHANISM | | | | | | | |
| 30 | XA4747021 | THREAD TAKE-UP LEVER ASSY | | | | | |
| 31 | XA4585021 | THREAD TAKE-UP LEVER SHAFT | | | | | |
| 32 | 048050343 | RETAINING RING, E5 | 1000001451 | | | | |
| 33 | X57913021 | TAPTITE, BIND S M4X16 | | | | | |
| 34 | X50532021 | PRESSER PLATE | | | | | |

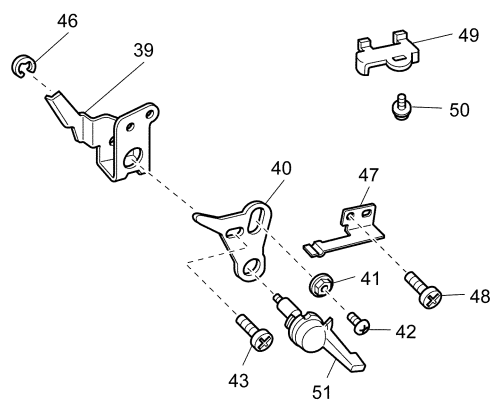
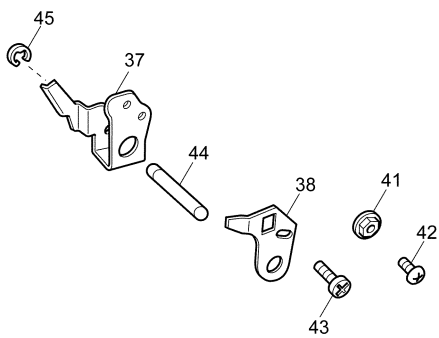
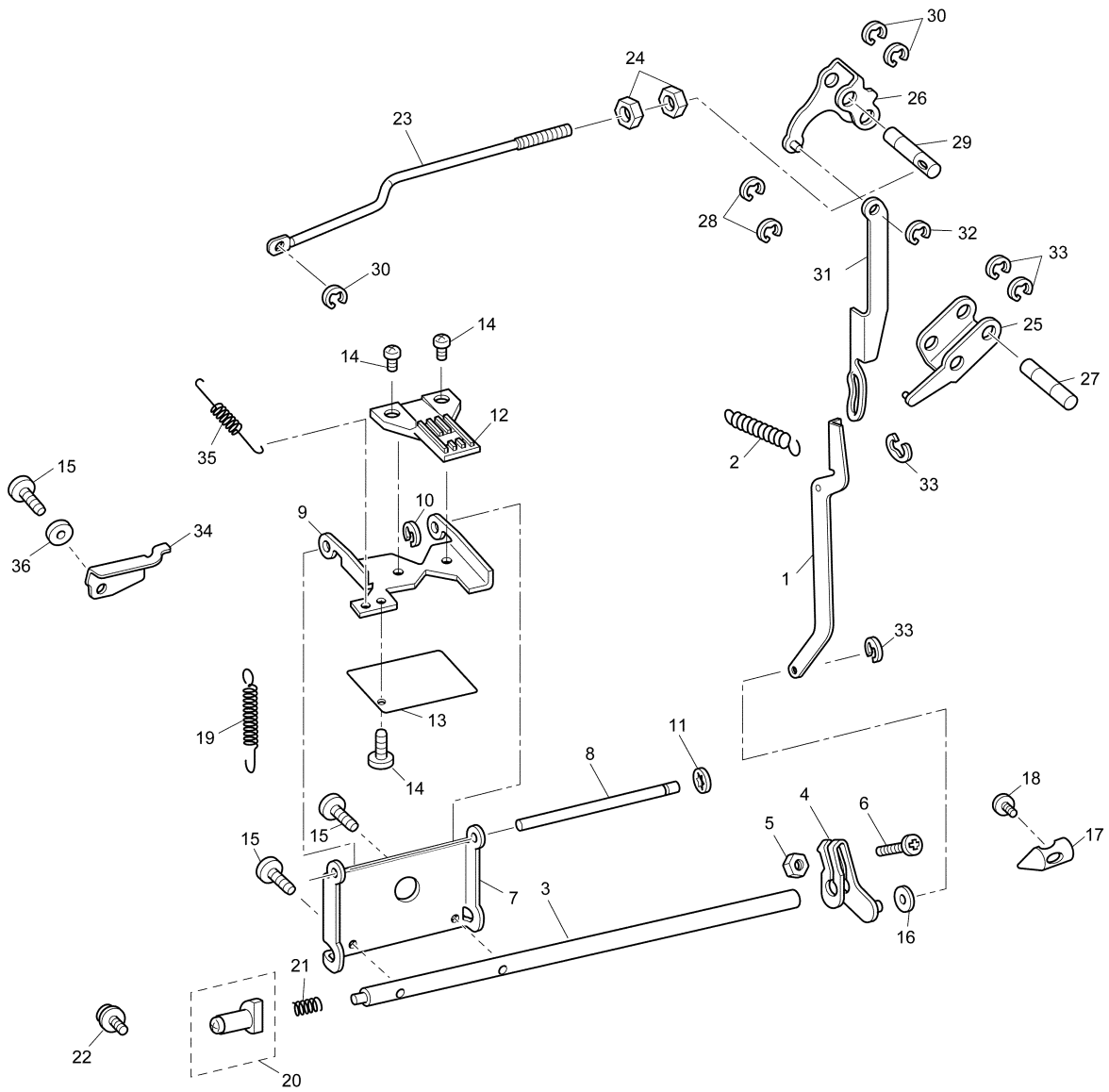
(2) UPPER SHAFT / NEEDLE BAR / THREAD TENSION / PRESSER MECHANISM



(3) HORIZONTAL FEED / VERTICAL FEED MECHANISM

| No. | CODE. | NAME | REMARKS | No. | CODE. | NAME | REMARKS |
|---------------------------|-----------|--|------------|-------------------------|-----------|---|------------|
| HORIZONTAL FEED MECHANISM | | | | VERTICAL FEED MECHANISM | | | |
| 1 | XA0978021 | FEED CONNECTING ROD ASSY | | 37 | XA3480021 | VERTICAL FEED ARM (XL501*), (XL5050*), (XL502*), (XL5060*), (XL503*), (XL5070*), (XL5130), (RXL5130), (XL5232), (RXL5232), (XL5340), (RXL5340), (XL5500, XL5700: U.S.A., CAN, CHL, ARG, PRY), (XL5300), (XL5600: U.S.A., CAN), (ML55, 65, 75), (PS21), (PRESTIGE50) | |
| 2 | XA0980021 | SPRING | | 38 | XA3481021 | VERTICAL FEED ADJUSTER | |
| 3 | XA3958020 | HORIZONTAL FEED SHAFT | | 39 | XA1504021 | VERTICAL FEED SHAFT ARM (XL5500, XL5600, XL5700: GER, U.K., FRA, SWI, MYS, AUS), (XL5500SE), (XL5500NTC AV), (XL5500HC), (XL5600NTC AV), (XL5600HC), (XL5700SE), (XL5700NTC AV), (XL5700HC), (RS15, 20, 25, 30, 35), (PX100*), (PX110NTC), (RPX100), (PX150), (PX200*), (PX220NTC), (PX300*), (PX330NTC), (PRESTIGE100, 200, 300) | 1000003701 |
| 4 | XA0983121 | HORIZONTAL FEED ARM ASSY | | 40 | XA1660021 | VERTICAL ADJUSTING | |
| 5 | 021400205 | NUT, 2 M4 | | 41 | X50559020 | ZIGZAG ADJUSTING NUT (OTHER) | |
| 6 | 060401416 | SCREW, BIND M4X14 | | | X50559050 | ZIGZAG ADJUSTING NUT (RXL5130, RXL5232, RXL5340) | |
| 7 | XA0987021 | HORIZONTAL FEED PLATE | | 42 | 062300806 | SCREW, PAN M3X8 | |
| 8 | XA0988021 | FEED STAND SHAFT | | 43 | 060400516 | SCREW, BIND M4X5 | |
| 9 | XA3960021 | FEED STAND | | 44 | XA0995121 | VERTICAL FEED SHAFT | |
| 10 | 048030343 | RETAINING RING, E3 | 1000001451 | 45 | 048060343 | RETAINING RING, E6 | 1000001451 |
| 11 | 146200021 | RETAINING RING, CS4 | 050186 | 46 | 048030343 | RETAINING RING, E3 | 1000001451 |
| 12 | XA4430021 | FEED DOG | | 47 | XA1659021 | NOTCH SPRING | |
| 13 | XA3474021 | DUST PROTECT PLATE | | 48 | X57908021 | TAPTITE, BIND S M4X10 | |
| 14 | 060300416 | SCREW, BIND M3X4 | | 49 | XA2338021 | DROP STOPPER | |
| 15 | 060400816 | SCREW, BIND M4X8 | | 50 | XC7568051 | SCREW, PAN (S/P WASHER) M4X14 | 1000000866 |
| 16 | X53330020 | WASHER | | 51 | XA1505021 | DROP LEVER (OTHER) | |
| 17 | XA1082021 | TAPER POINT STUD R (XL5050*, XL5060*, XL5070*, XL5500*, PS21, XL5600*, XL5700*, RS15, 20, 25, 30, 35, ML55, 65, 75, PRESTIGE50) | | | XA1505051 | DROP LEVER (RPX100), (XL5700: GER, U.K, FRA), (RS35) | |
| | XA1082051 | TAPER POINT STUD R (OTHER) | | | | | |
| 18 | XZ0074021 | TAPTITE, CUP S4X16 | | | | | |
| 19 | XA0991021 | SPRING | | | | | |
| 20 | X55472021 | TAPER POINT STUD L ASSY | | | | | |
| 21 | X56613021 | SPRING | | | | | |
| 22 | XA0649021 | TAPTITE, CUP S4X14 | | | | | |
| 23 | XA3962021 | SS CONNECTING ROD | | | | | |
| 24 | X56960021 | NUT 4 | | | | | |
| 25 | XA3082121 | SS CHANGE LEVER SUB ASSY | | | | | |
| 26 | XA3085021 | SS FEED LEVER ASSY | | | | | |
| 27 | XA3087021 | SS FEED LEVER SHAFT | | | | | |
| 28 | 048050343 | RETAINING RING, E5 | 1000001451 | | | | |
| 29 | XA3080121 | SS ADJUSTING SHAFT | | | | | |
| 30 | 048040343 | RETAINING RING, E4 | 1000001451 | | | | |
| 31 | XA3088021 | SS FEED ROD | | | | | |
| 32 | 048030343 | RETAINING RING, E3 | 1000001451 | | | | |
| 33 | 048050343 | RETAINING RING, E5 | 1000001451 | | | | |
| 34 | XA4042120 | FEED STAND SUPPORT | | | | | |
| 35 | XA4692021 | SPRING | | | | | |
| 36 | 025040133 | WASHER, PLAIN S4 | | | | | |
| | | | | | | | |
| | | | | | | | |
| | | | | | | | |
| | | | | | | | |

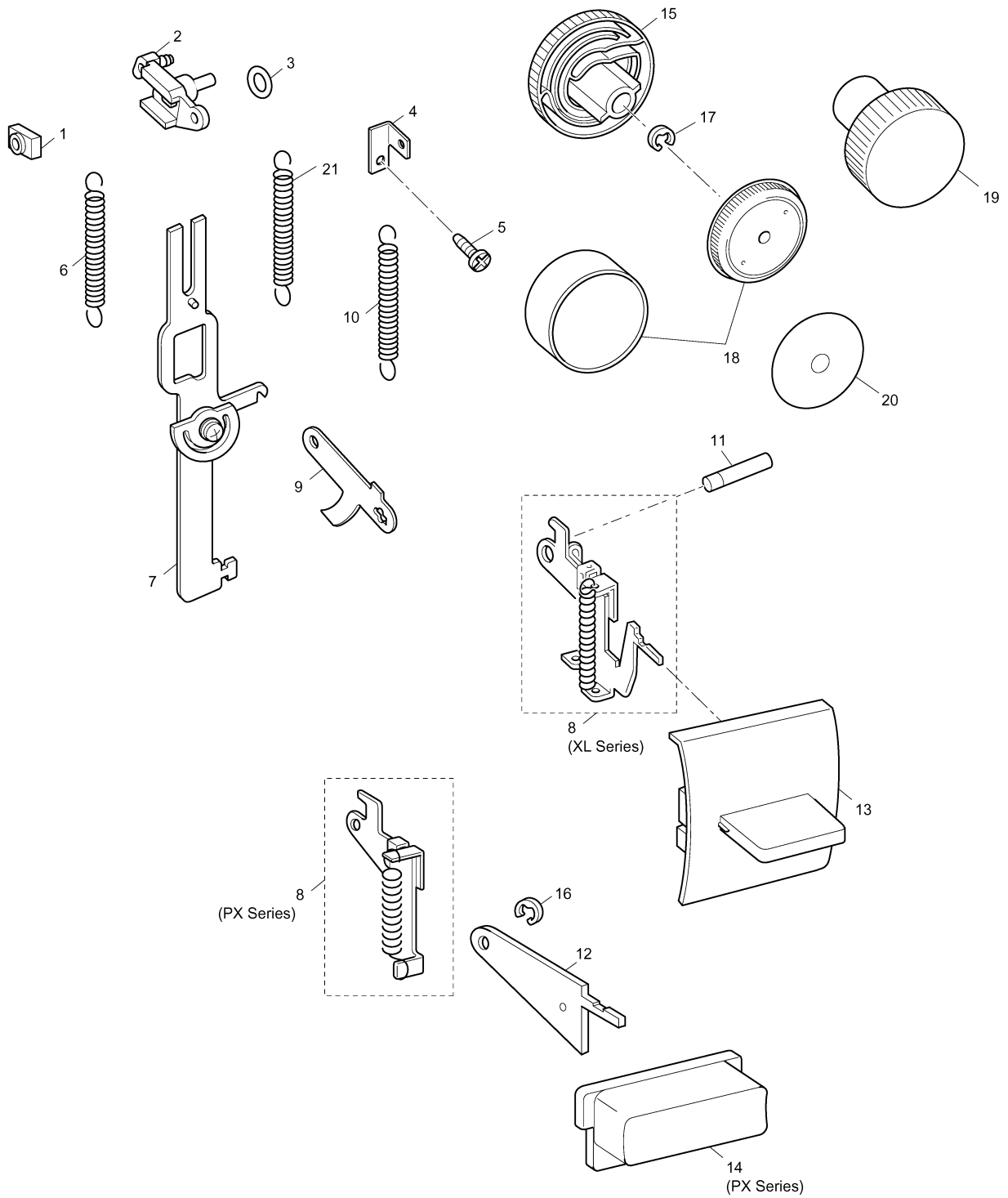
(3) HORIZONTAL FEED / VERTICAL FEED MECHANISM



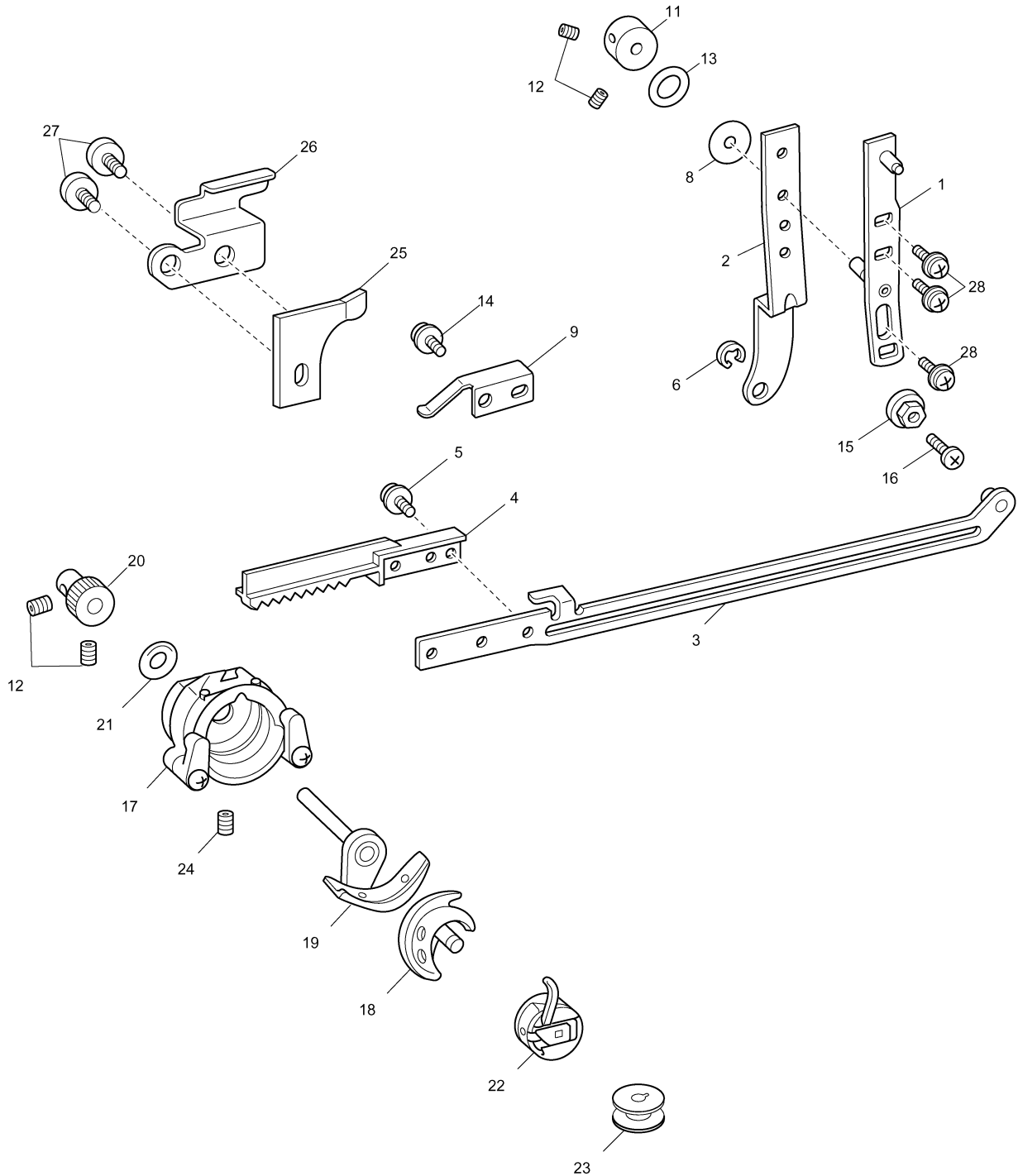
(4) FEED ADJUSTMENT MECHANISM

| No. | CODE. | NAME | REMARKS | No. | CODE. | NAME | REMARKS |
|-----|-----------|---|------------|-----|-----------|---|---------|
| 1 | XA0030021 | FEED SQUARE BLOCK | | 20 | XA5735033 | DIAL SHEET (XL5032*) | |
| 2 | XA3089051 | FEED REGULATOR ASSY (OTHER) | | | XA5735034 | DIAL SHEET (XL5022*) | |
| | XA3089021 | FEED REGULATOR ASSY (XL5050*, XL5060*, XL5070*, XL5500*, XL5600*, XL5700*), (RS15, 20, 25, 30, 35), (ML55, 65, 75), (PS21), (PRESTIGE50, 100, 200, 300) | | | XC7370021 | DIAL SHEET (XL5500, 5500HC, 5500NTC AV) | |
| 3 | X53330020 | WASHER | | | XC7370023 | DIAL SHEET (XL5600*) | |
| 4 | XA4534021 | STOP PLATE L | | | XC7370025 | DIAL SHEET (XL5700, 5700HC, 5700NTC AV) | |
| 5 | X57913021 | TAPTITE, BIND S M4X16 | | | XC7370029 | DIAL SHEET (XL5050*) | |
| 6 | XA0998021 | SPRING | | | XC7370028 | DIAL SHEET (XL5060*) | |
| 7 | XA3092021 | FEED REGULATOR PLATE ASSY | | | XC7370030 | DIAL SHEET (XL5070*) | |
| 8 | XA4343021 | REVERSE SEWING LEVER ASSY | | | XC7370031 | DIAL SHEET (XL5500SE) | |
| | XA6366021 | REVERSE SEWING LEVER (PX Series) | | | XC7370034 | DIAL SHEET (RS-15) | |
| 9 | XA4532121 | REVERSE SEWING LEVER PLATE A | | | XC7370036 | DIAL SHEET (RS-20, 25) | |
| 10 | XA4675021 | SPRING | | | XC7370038 | DIAL SHEET (RS-30, 35) | |
| 11 | XA1004120 | REVERSE SEWING SHAFT | | | XC7370051 | DIAL SHEET (ML55) | ADD |
| 12 | XA6582021 | REVERSE BUTTON HOLDER | | | XC7370052 | DIAL SHEET (ML65) | ADD |
| 13 | XA5733021 | FEED REGULATING LEVER KNOB (OTHER) | | | XC7370053 | DIAL SHEET (ML75) | ADD |
| | XC7338021 | FEED REGULATING LEVER KNOB (XL5050*, XL5060*, XL5070*, XL5500*, XL5600*, XL5700*), (RS15, 20, 25, 30, 35), (ML55, 65, 75), (PS21), (PRESTIGE50, 100, 200, 300) | | | XC7370040 | DIAL SHEET (XL5700SE, PS21) | ADD |
| 14 | XA6369021 | REVERSE SEWING BUTTON (PX Series) | | 21 | XA3099021 | SPRING | |
| 15 | XA6015021 | FEED REGULATOR CAM | | | | | |
| 16 | 048040343 | RETAINING RING, E4 | 1000001451 | | | | |
| 17 | 048050343 | RETAINING RING, E5 | 1000001451 | | | | |
| 18 | XA5734021 | MANUAL DIAL (OTHER) | | | | | |
| | XC7339121 | MANUAL DIAL (XL5050*, XL5060*, XL5070*, XL5500*, XL5600*, XL5700*), (RS15, 20, 25, 30, 35), (ML55, 65, 75), (PS21), (PRESTIGE50, 100, 200, 300) | | | | | |
| 19 | XA6370021 | FEED DIAL (PX Series) | | | | | |
| | XA6370022 | FEED DIAL (PX300NTC) | | | | | |
| | XA6370023 | FEED DIAL (PX100NTC) | | | | | |
| | XA6370024 | FEED DIAL (PX200NTC) | | | | | |
| 20 | XA5735021 | DIAL SHEET (XL5340, RXL5340, XL5300, XL5030*) | | | | | |
| | XA5735024 | DIAL SHEET (XL5020*, XL5232, RXL5232) | | | | | |
| | XA5735025 | DIAL SHEET (XL5010*, XL5130, RXL5130) | | | | | |
| | XA5735028 | DIAL SHEET (XL5011*) | | | | | |
| | XA5735029 | DIAL SHEET (XL5021*) | | | | | |
| | XA5735030 | DIAL SHEET (XL5031*) | | | | | |
| | XA5735032 | DIAL SHEET (XL5012*) | | | | | |

(4) FEED ADJUSTMENT MECHANISM



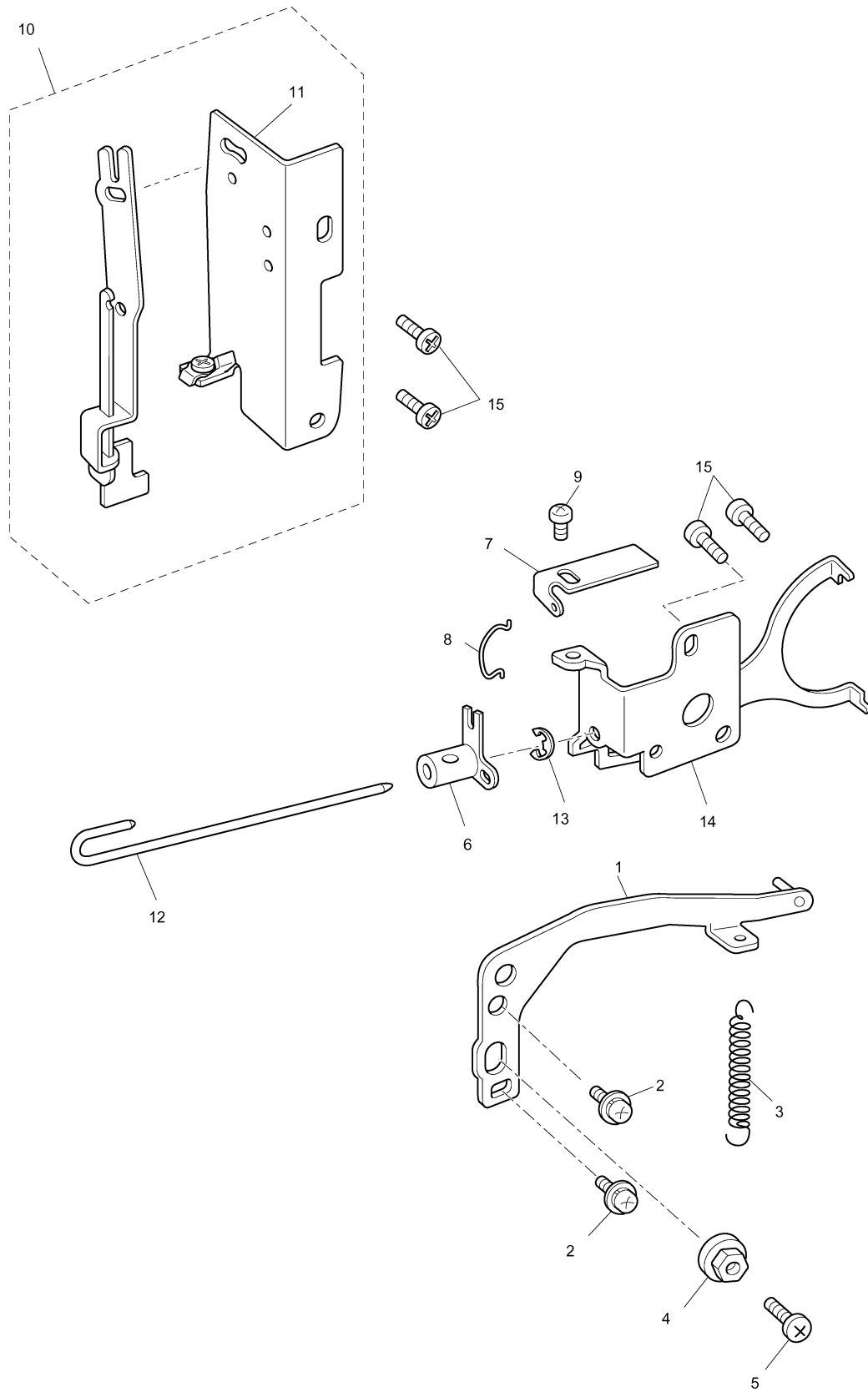
(5) ROTARY HOOK DRIVE / ROTARY HOOK MECHANISM



(6) ZIGZAG / BH MECHANISM

| No. | CODE. | NAME | REMARKS |
|--|-----------|---|-------------|
| ZIGZAG MECHANISM | | | |
| 1 | XA4466021 | Z CONNECTING ROD (XL501*, XL5050*, XL502*, XL5060*, XL503*, XL5070*, ML55, 65, 75, PRESTIGE50) | |
| | XA3971021 | Z CONNECTING ROD (XL5130, XL5500*, XL5600*, XL5700*, XL5232, XL5340, XL5300, RS15, 20, 25, 30, 35, PX100*, PX110NTC, RPX100, PX200*, PX220NTC, PX300*, PX330NTC, PS21, PRESTIGE100, 200, 300) | |
| | XA3971051 | Z CONNECTING ROD (RXL5130, RXL5232, RXL5340, RPX100) | |
| 2 | XA8474021 | UPSET 4X12DB (OTHER) | |
| | XA8474051 | UPSET 4X12DB (RXL5130, RXL5232, RXL5340, RPX100) | |
| 3 | XZ0024021 | ZIGZAG CONNECTING ROD SPRING | 1000007769 |
| 4 | X50559020 | ZIGZAG ADJUSTING NUT (OTHER) | |
| | X50559050 | ZIGZAG ADJUSTING NUT (RXL5130, RXL5232, RXL5340, RPX100) | |
| 5 | 062301006 | SCREW, PAN M3X10 | |
| BH MECHANISM | | | |
| (XL502*, 5060*, XL503*, XL5070*, XL5232, RXL5322, XL5600*, XL5340, RXL5340, XL5300, XL5700*, RS15, 25, 30, 35, PX200*, PS21, PX220NTC, PX300*, PX330NTC, ML55, 65, 75, PRESTIGE200, 300) | | | |
| 6 | XZ0021021 | BH CHANGE ARM ASSY | |
| 7 | XA3972021 | BH NOTCH SPRING | |
| 8 | 136997021 | BH SPRING | |
| 9 | 060400816 | SCREW, BIND M4X8 | |
| 10 | XA5812021 | BH LEVER SET PLATE ASSY | |
| 11 | XA3975151 | BH LEVER HOLDER ASSEMBLY | |
| 12 | XA3978021 | BH CHANGE SHAFT | |
| 13 | 048025343 | RETAINING RING, E2.5 | 10000001451 |
| 14 | XA3979021 | BH HOLDER ASSY | |
| 15 | X57908021 | TAPTITE, BIND S M4X10 | |
| | | | |
| | | | |
| | | | |
| | | | |
| | | | |
| | | | |
| | | | |
| | | | |
| | | | |
| | | | |
| | | | |
| | | | |
| | | | |

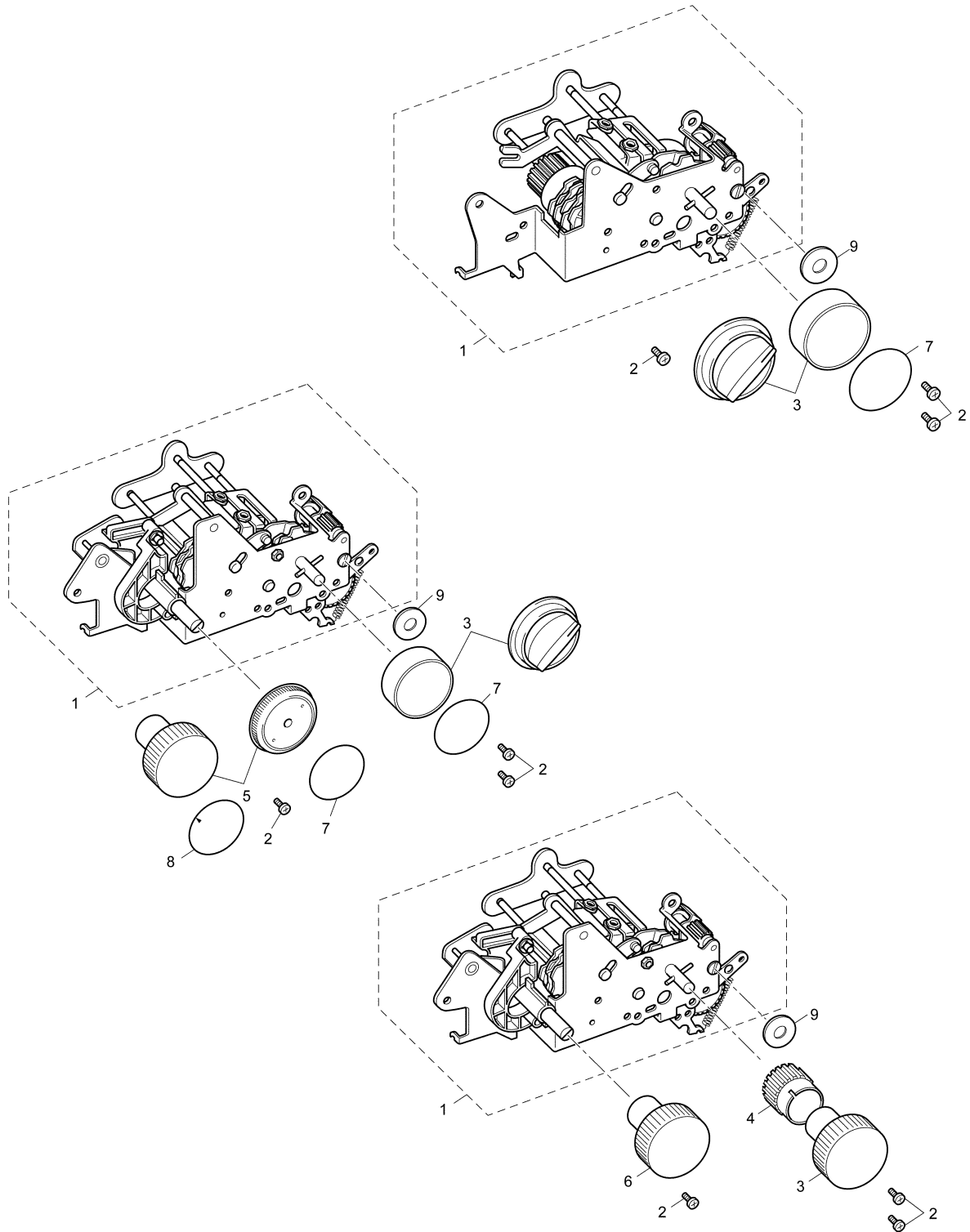
(6) ZIGZAG / BH MECHANISM



(7) PATTERN SELECTION MECHANISM without BH CONNECTING LINK ASSY

| No. | CODE. | NAME | REMARKS |
|-----------|--------------------------|--|---------|
| 1 | XA6004021 | PATTERN SELECTING UNIT ASSY (XL5130, RXL5130) | |
| | XA6013021 | PATTERN SELECTING UNIT ASSY (XL5010*, XL5011*, XL5012*, XL5050*, ML55, PRESTIGE50) | |
| | XC7341021 | PATTERN SELECTING UNIT ASSY (XL5500*, RS15, 20, PRESTIGE100) | |
| | XA9837021 | PATTERN SELECTING UNIT ASSY (PX100*, PX110NTC, PX150, RPX100) | |
| 2 | X57908021 | TAPTITE, BIND S M4X10 (OTHER) | |
| | X57908051 | TAPTITE, BIND S M4X10 (XL5050*, ML55) | |
| 3 | XA5736021 | PATTERN SELECTION DIAL (OTHER) | |
| | XA6371021 | PATTERN SELECTION DIAL (PX100, PX100HC, RPX100, PX110NTC) | |
| | XA6371023 | PATTERN SELECTION DIAL (PX100NTC) | |
| | XC7343021 | PATTERN SELECTION DIAL (XL5050*, XL5060NTC AV, XL5070NTC AV, XL5500*, RS15, 20, 30, ML55, PRESTIGE50, 100) | |
| 4 | XA6372021 | PATTERN DECORATION GEAR 1 (PX100*, PX110NTC, RPX100) | |
| 5 | XA5734021 | MANUAL DIAL (XL5130, RXL5130) | |
| | XC7339121 | MANUAL DIAL (XL5500*, RS15, 20, 30, PRESTIGE100) | |
| 6 | XA6373021 | ZIGZAG DIAL (PX100, PX100NTC, PX110NTC, RPX100) | |
| | XA6373023 | ZIGZAG DIAL (PX100NTC) | |
| 7 | XA6003025 | DIAL SHEET (XL5010*) | |
| | XA6003030 | DIAL SHEET (XL5011*) | |
| | XA6003034 | DIAL SHEET (XL5130, RXL5130) | |
| | XA6003037 | DIAL SHEET (XL5012*) | |
| | XC7370022 | DIAL SHEET (XL5500HC) | |
| | XC7370032 | DIAL SHEET (XL5500, XL5500SE, XL5500NTC AV) | |
| | XC7370035 | DIAL SHEET (RS-15) | |
| XC7370046 | DIAL SHEET (PRESTIGE100) | | |
| 8 | XA5735022 | DIAL SHEET (XL5130, RXL5130) | |
| 9 | XA4685021 | BH KNOB SPACER (OTHER) | |
| | XA4685051 | BH KNOB SPACER (PX100*, RPX100, PX110NTC) | |
| | XC7433021 | BH KNOB SPACER (XL5050*, XL5500*, RS15, PRESTIGE100) | |
| | | | |
| | | | |

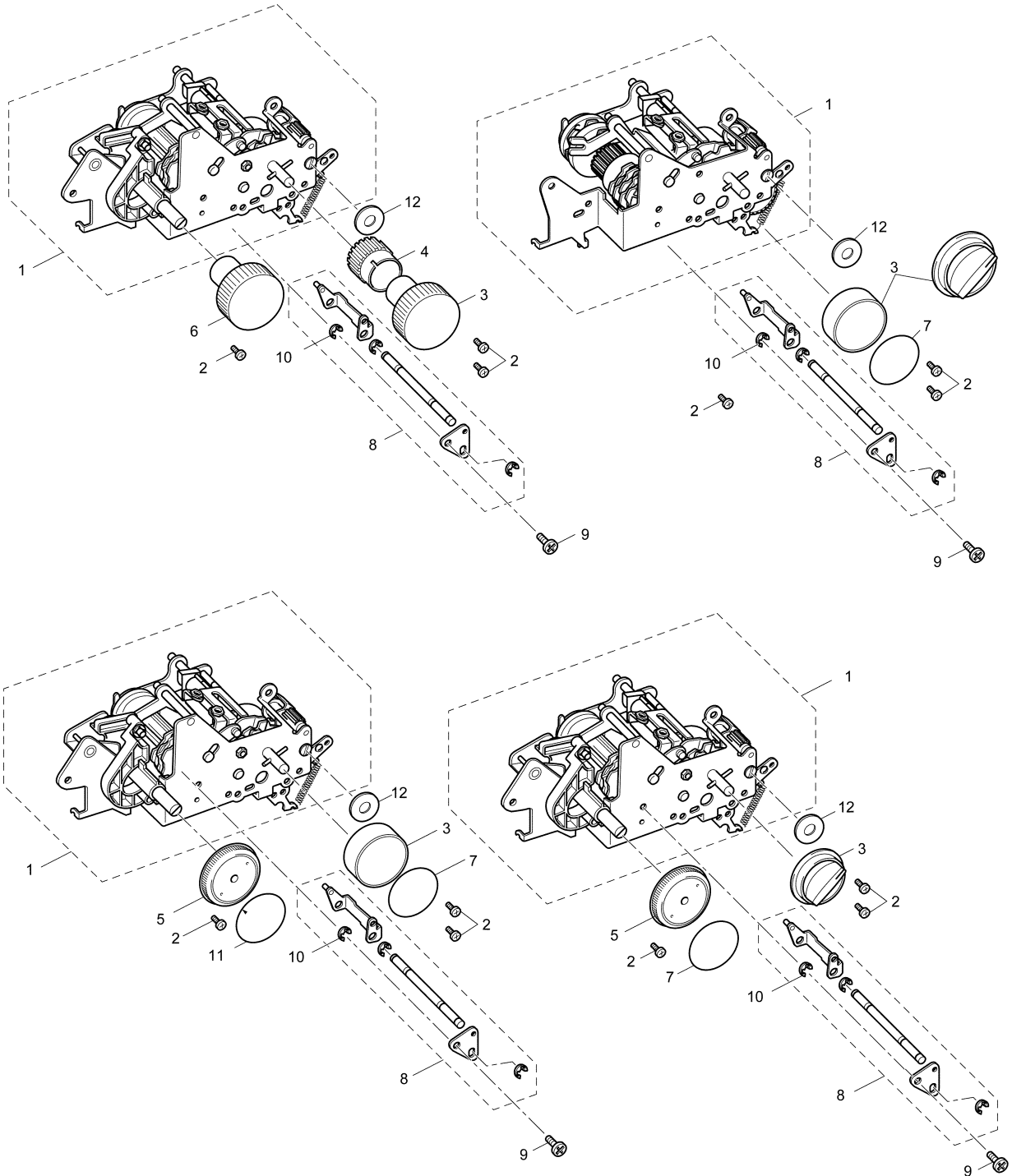
(7) PATTERN SELECTION MECHANISM without BH CONNECTING LINK ASSY



(7) PATTERN SELECTION MECHANISM with BH CONNECTING LINK ASSY

| No. | CODE. | NAME | REMARKS | No. | CODE. | NAME | REMARKS |
|-----------|-----------|---|-------------------------------|-----------|--|--|------------------------|
| 1 | XA5798121 | PATTERN SELECTING UNIT ASSY (XL5300, XL5340, RXL5340) | | 7 | XA6003024 | DIAL SHEET (XL5020, XL5020NTP) | |
| | XA6011121 | PATTERN SELECTING UNIT ASSY (XL5030*, XL5031*, XL5032*, XL5070*, ML75) | | | XA6003031 | DIAL SHEET (XL5021*) | |
| | XA6033121 | PATTERN SELECTING UNIT ASSY (XL5020*, XL5021*, XL5022NTP, XL5022NTP AV, XL5060*, ML65) | | | XA6003032 | DIAL SHEET (XL5031*) | |
| | XA6034121 | PATTERN SELECTING UNIT ASSY (XL5232, RXL5232) | | | XA6003035 | DIAL SHEET (XL5232, RXL5232) | |
| | XC7378021 | PATTERN SELECTING UNIT ASSY (XL5600*, RS25, 30, PRESTIGE200) | | | XA6003038 | DIAL SHEET (XL5032*) | |
| | XC7391021 | PATTERN SELECTING UNIT ASSY (XL5700**, RS35, PS21, PRESTIGE300) | | | XA6003039 | DIAL SHEET (XL5022*) | |
| | XA9838021 | PATTERN SELECTION UNIT ASSY (PX200*, PX220NTP) | | | XC7370024 | DIAL SHEET (XL5600*) | |
| | XA9839021 | PATTERN SELECTION UNIT ASSY (PX300*, PX330NTP) | | | XC7370026 | DIAL SHEET (XL5700, 5700NTP AV, 5700HC) | |
| | 2 | X57908021 | TAPTITE, BIND S M4X10 (OTHER) | | | XC7370037 | DIAL SHEET (RS-20, 25) |
| X57908051 | | TAPTITE, BIND S M4X10 (XL5600*, RS25, PRESTIGE200) | | XC7370039 | DIAL SHEET (RS-30, 35) | | |
| 3 | XA5736021 | PATTERN SELECTION DIAL (OTHER) | | XC7370041 | DIAL SHEET (XL5700SE, PS21) | ADD | |
| | XA6371021 | PATTERN SELECTION DIAL (PX200, PX200HC, PX220NTP, PX300, PX300HC, PX330NTP) | | XC7370048 | DIAL SHEET (PRESTIGE200) | | |
| | XA6371022 | PATTERN SELECTION DIAL (PX300NTP) | | XC7370050 | DIAL SHEET (PRESTIGE300) | | |
| | XA6371024 | PATTERN SELECTION DIAL (PX200NTP) | | 8 | XA4025021 | BH CONNECTING LINK ASSY | |
| | XC7343021 | PATTERN SELECTION DIAL (XL5060*, XL5070*, XL5600*, XL5700*, RS25, RS35, ML65, ML75, PS21, PRESTIGE200, 300) | | 9 | 060400416 | SCREW, BIND M4X4 | |
| 4 | XA6372021 | PATTERN DECORATION GEAR 1 (PX200*, PX220NTP, PX300*, PX330NTP) | | 10 | 048030343 | RETAINING RING, E3 | 1000001451 |
| 5 | XA5734021 | MANUAL DIAL (XL5232, RXL5232, XL5340, XL5300, RXL5340) | | 11 | XA5735022 | DIAL SHEET (XL5232, RXL5232, XL5340, RXL5340) | |
| | XC7339121 | MANUAL DIAL (XL5600*, XL5700*, RS25, RS35, PS21, PRESTIGE200, 300) | | 12 | XA4685021 | BH KNOB SPACER | |
| 6 | XA6373021 | ZIGZAG DIAL (PX200, PX200HC, PX220NTP, PX300, PX300HC, PX330NTP) | | | XA4685051 | BH KNOB SPACER (XL5340, RXL5340) | |
| | XA6373022 | ZIGZAG DIAL (PX300NTP) | | XC7433021 | BH KNOB SPACER (XL5050NTP AV, XL5060*, XL5070*, XL5600*, XL5700*, RS20, 25, 30, 35, ML65, ML75, PS21, PRESTIGE50, 200, 300) | | |
| | XA6373024 | ZIGZAG DIAL (PX200NTP) | | | | | |
| 7 | XA6003021 | DIAL SHEET (XL5300) | | | | | |
| | XA6003023 | DIAL SHEET (XL5030, XL5030NTP) | | | | | |

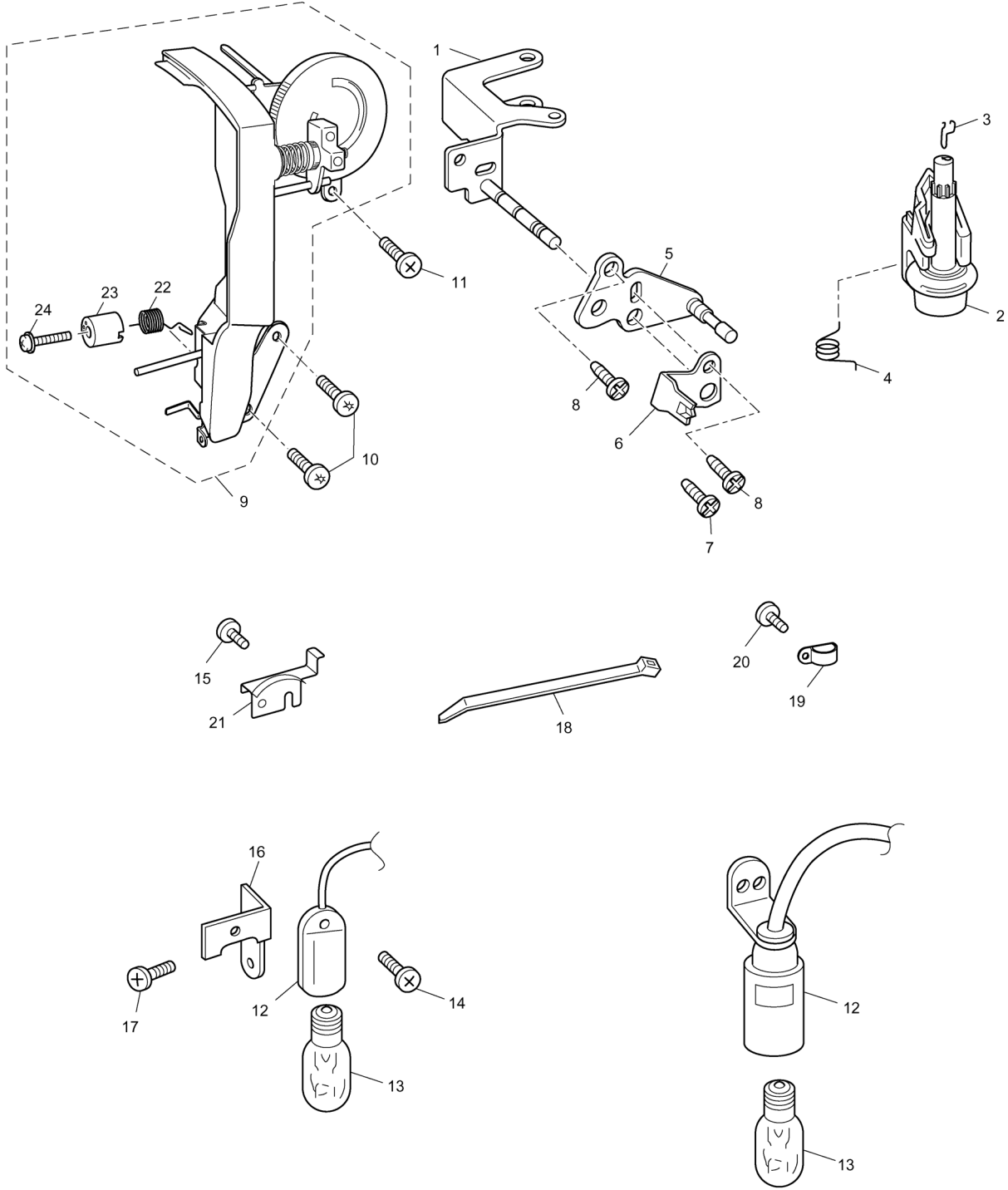
(7) PATTERN SELECTION MECHANISM with BH CONNECTING LINK ASSY



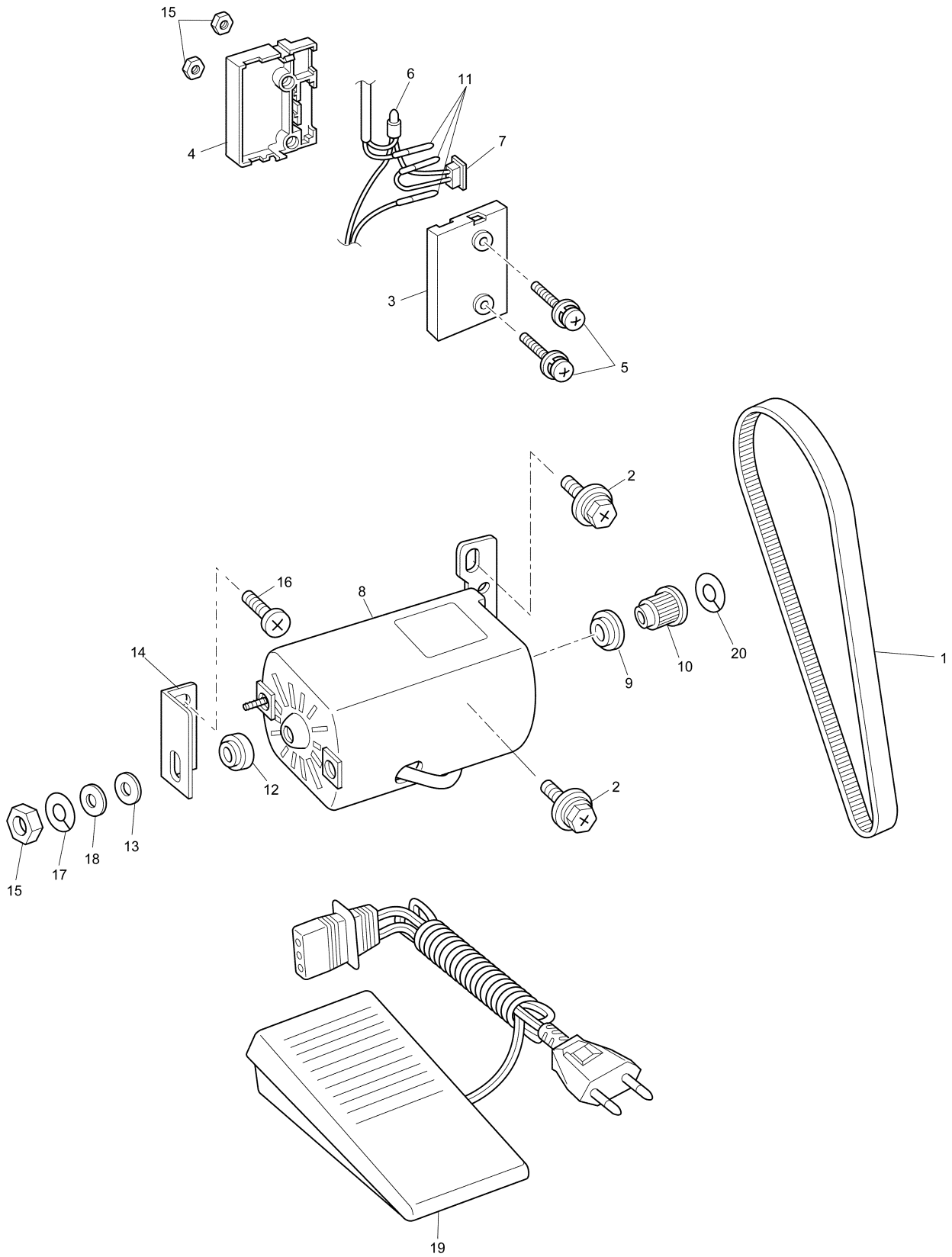
(8) BOBBIN WINDER / THREAD GUIDE / LAMP MECHANISM

| No. | CODE. | NAME | REMARKS | No. | CODE. | NAME | REMARKS |
|-------------------------|-----------|--|------------|-----|-----------|--|---------|
| BOBBIN WINDER MECHANISM | | | | | | | |
| 1 | XA3273121 | BOBBIN WINDER HOLDER SUB ASSY (OTHER) | | 16 | XA4036021 | LAMP HOLDER (XL5130), (RXL5130: U.S.A.), (XL5500: U.S.A., CAN), (XL5232), (RXL5232: U.S.A.), (XL5600: U.S.A., CAN), (XL5340), (XL5700: U.S.A., CAN), (PS21), (PX100, PX200, PX300: U.S.A., MEXICO) | |
| | XC7347021 | BOBBIN WINDER HOLDER SUB ASSY (XL5050*, XL5060*, XL5070*, XL5500*, XL5600*, XL5700*, RS15, 20, 25, 30, 35, ML55, 65, 75, PS21, PRESTIGE50, 100, 200, 300) | | | | | |
| 2 | XA4032021 | BOBBIN WINDER SHAFT HOLDER ASSY | CHG | 17 | 060300616 | SCREW, BIND M3X6 (XL5130), (RXL5130: U.S.A.), (XL5500: U.S.A., CAN), (XL5232), (RXL5232: U.S.A.), (XL5600: U.S.A., CAN), (XL5340), (XL5700: U.S.A., CAN), (PS21), (PX100, PX200, PX300: U.S.A., MEXICO) | |
| 3 | XZ5039001 | BOBBIN WINDER SHAFT SPRING | 1000007062 | | | | |
| 4 | X59939021 | BOBBIN WINDER SPRING | | 18 | X53169020 | BAND | 050245 |
| 5 | XA3133121 | SS CHANGE HOLDER ASSY | | 19 | XA7678021 | CORD CRAMP (OTHER) | |
| 6 | XA3136021 | F DIAL SPRING | | | XA7678051 | CORD CRAMP (RXL5232: SINGAPORE), (RXL5340), (RPX100) | |
| 7 | 062400416 | SCREW, PAN M4X4 | | 20 | X57908021 | TAPTITE, BIND S M4X10 | |
| 8 | X57913021 | TAPTITE, BIND S M4X16 | | 21 | XA8463021 | CORD GUIDE | |
| THREAD GUIDE MECHANISM | | | | | | | |
| 9 | XA5805021 | THREAD GUARD ASSY (OTHER) | | 22 | X58857021 | THREAD TAKE UP SPRING | ADD |
| | XC7349021 | THREAD GUARD ASSY (XL5050*, XL5060*, XL5070*, XL5500*, XL5600*, XL5700*, RS15, 20, 25, 30, 35, ML55, 65, 75, PS21, PRESTIGE50, 100, 200, 300) | | 23 | 132305051 | THREAD TAKE UP SPRING CASE | ADD |
| | XA6374021 | THREAD GUIDE ASSY (PX Series) | | 24 | 0A4402006 | SCREW, PAN (S/P WASHER) M4X20 | ADD |
| 10 | X57908021 | TAPTITE, BIND S M4X10 | | | | | |
| 11 | 060400416 | SCREW, BIND M 4X4 | | | | | |
| LAMP MECHANISM | | | | | | | |
| 12 | XC7352021 | ASSY: SEWING LAMP E12C#24 (XL5130), (RXL5130: U.S.A.), (XL5232), (RXL5232: U.S.A.), (XL5340), (PS21), (XL5500, 5600, 5700: U.S.A., CAN), (PX100, PX200, PX300: U.S.A., | 060089 | | | | |
| | XA1064021 | SEW-LIGHT ASSY (OTHER) | | | | | |
| | XA1064051 | SEW-LIGHT ASSY (RXL5130, RXL5232: SINGAPORE), (RXL5340), (RPX100) | | | | | |
| 13 | X53061030 | SEW-LIGHT BULB (100-120V) | 1000013742 | | | | |
| | 205336030 | SEW-LIGHT BULB L-4 (220-240V) | 1000012695 | | | | |
| 14 | X57984021 | TAPTITE, BIND S M3X20 (XL5130), (RXL5130: U.S.A.), (XL5500: U.S.A., CAN), (XL5232), (RXL5232: U.S.A.), (XL5600: U.S.A., CAN), (XL5340), (XL5700: U.S.A., CAN), (PS21) (PX100, PX200, PX300: U.S.A., MEXICO) | | | | | |
| | XA1623021 | TAPTITE, BIND S M3X10 (OTHER) | | | | | |
| | XA1623051 | TAPTITE, BIND S M3X10 (RXL5130, RXL5232: SINGAPORE), (RXL5340), (RPX100) | | | | | |

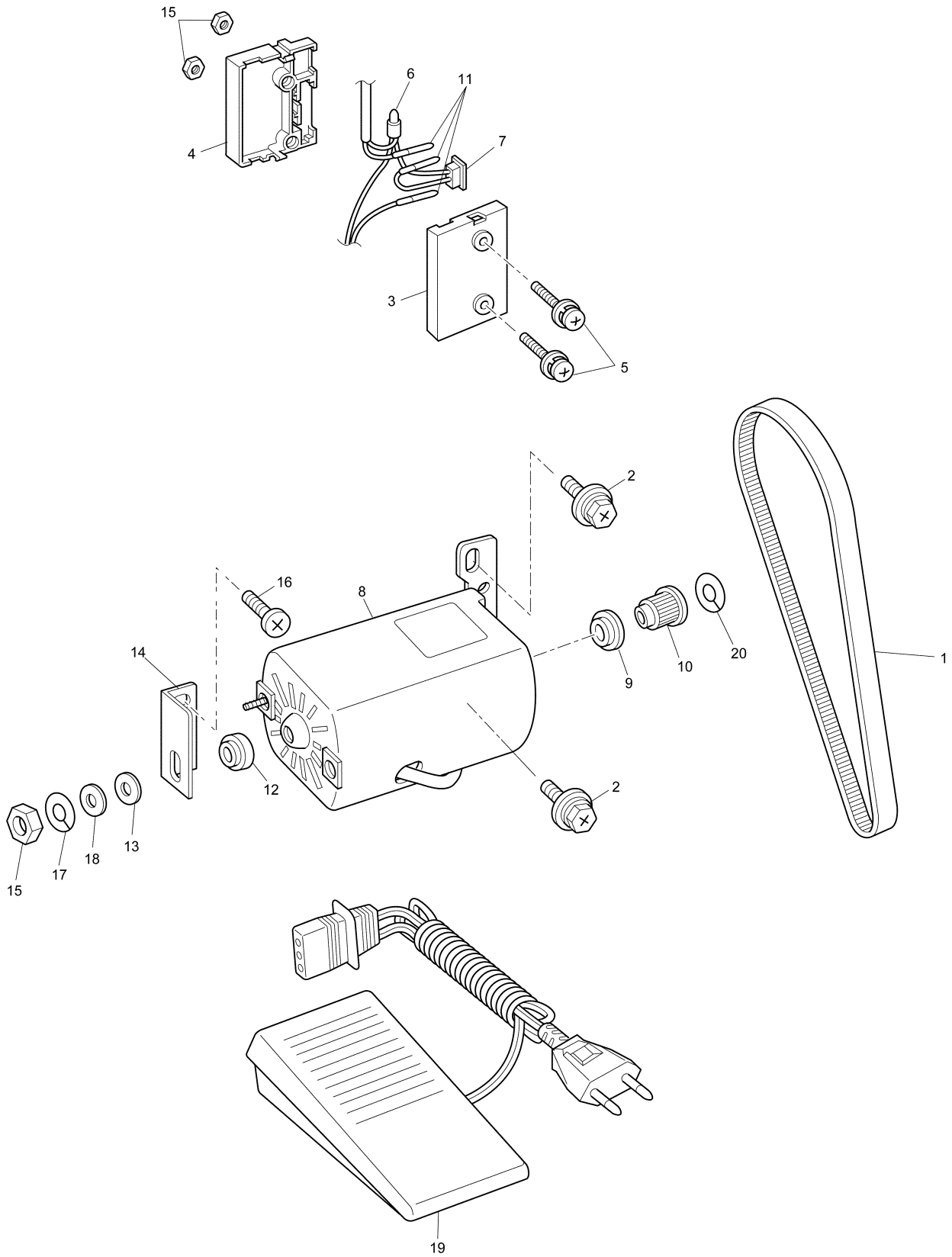
(8) BOBBIN WINDER / THREAD GUIDE / LAMP MECHANISM



(9) MOTOR UNIT



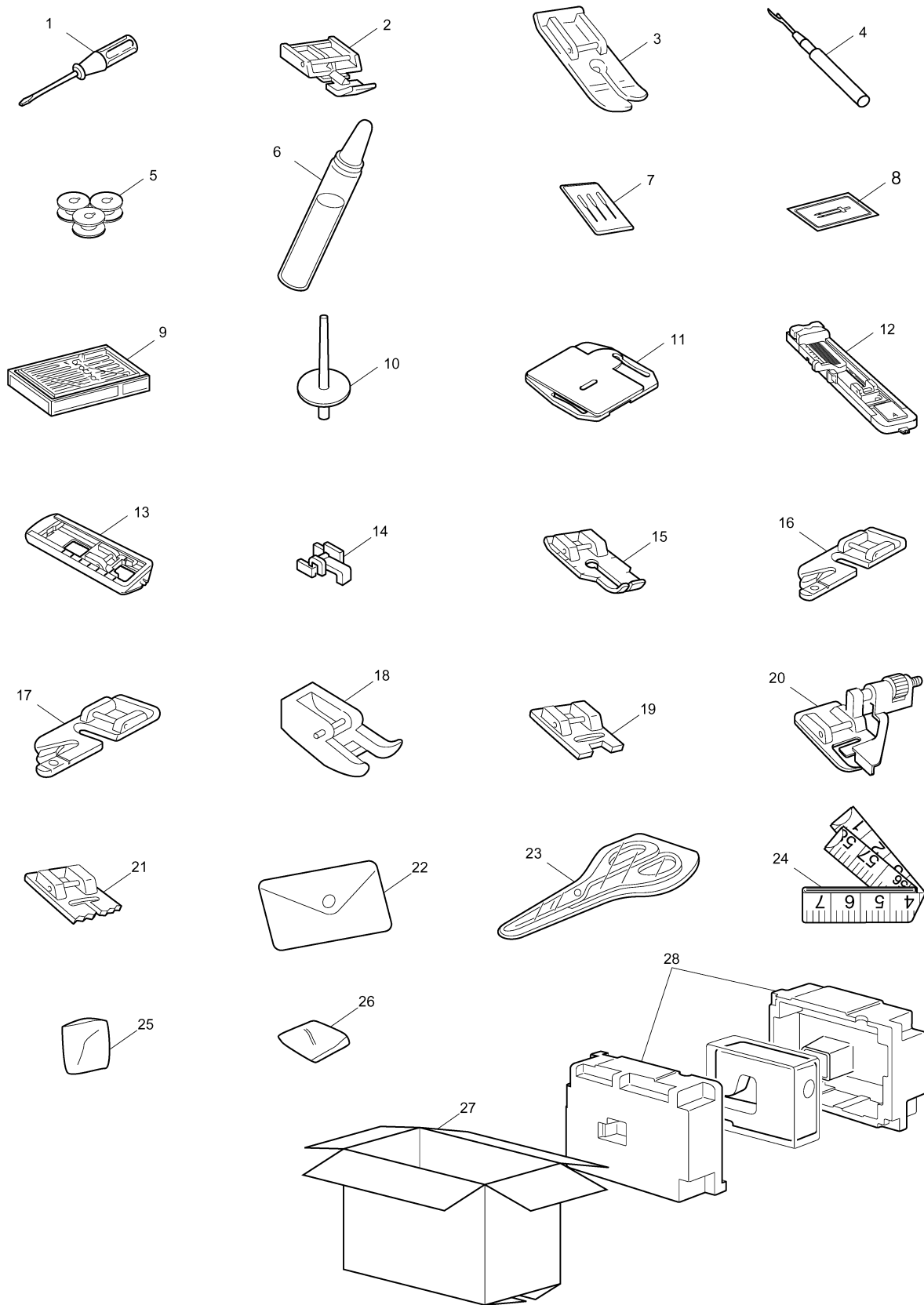
(9) MOTOR UNIT



(10) ATTACHMENTS / PACKING MATERIALS / PRINTED MATTERS

| No. | CODE. | NAME | REMARKS | No. | CODE. | NAME | REMARKS |
|-------------|-----------|--|------------|-----|-----------|---|------------|
| ATTACHMENTS | | | | 9 | X58358051 | Z NEEDLE ASSY (XL5500, XL5600: CANADA), (XL5600NTC AV), (XL5700NTC AV) | |
| 1 | X55467021 | SCREW DRIVER (OTHER) | | 10 | 130920021 | EXTRA SPOOL PIN (OTHER) | |
| | X55467051 | SCREW DRIVER (RXL5130, RXL5232, RXL5340, RPX100) | | | 130920051 | EXTRA SPOOL PIN (RXL5130, RXL5232, RXL5340, RPX100) | |
| 2 | X59370021 | ZIPPER FOOT (OTHER) | | 11 | XA3442121 | FEED DOG COVER (XL5010*), (XL5011*), (XL5012*), (XL5020*), (XL5021*), (XL5022*), (XL5030*), (XL5031*), (XL5032*), (XL5050), (XL5050NTC AV), (XL5060), (XL5060NTC AV), (XL5070*), (XL5130), (XL5500, 5700: U.S.A., CAN, CHL, ARG, PRY), (XL5600: U.S.A., CAN), (XL5340), (XL5300), (XL5232), (ML55, 65, 75), (PS21) | |
| | X59370051 | ZIPPER FOOT (RXL5130, RXL5232, RXL5340, RPX100) | | | XA3442151 | FEED DOG COVER (RXL5130, RXL5232, RXL5340) | |
| 3 | X59374021 | STRAIGHT STITCH PRESSER FOOT (OTHER) | | 12 | XD1792031 | BUTTON HOLE FOOT ASSY (XL5020*), (XL5021*), (XL 5022*), (XL5030*), (XL5031*), (XL5032*), (XL5060*), (XL5070*), (XL5232), (XL5300), (XL5340), (XL5600*), (XL5700: U.S.A., CAN, CHILE, GER, U.K, FRA, SWI, AUS, ARG, PRY), (XL5700NTC AV), (XL5700SE), (XL5700HC), (PX200*), (PX220NTC), (PX300*), (PX330NTC), (RXL5232), (RXL5340), (RS25, 30, 35), (ML65, 75), (PS21), (PRESTIGE200, 300) | 1000003701 |
| | X59374051 | STRAIGHT STITCH PRESSER FOOT (RXL5130, RPX100) | | | | | |
| 4 | X54243051 | SEAM RIPPER (except XL5130, RXL5130, XL5232, XL5500: U.S.A., CAN, CHILE, MYS, RXL5232, XL5600: U.S.A., CAN, XL5340, RXL5340 XL5700: U.S.A., CAN, CHILE, MYS) | | | | | |
| 5 | X52800120 | BOBBIN (OTHER) | | | | | |
| | X52800150 | BOBBIN (RXL5130, RXL5232, RXL5340, RPX100) | | | | | |
| 6 | X55465051 | OILER (XL5010*, XL5011*, XL5012*, XL5020*, XL5030*, XL5021*, XL5022*, XL5031*, XL5032*, PX100*, PX110NTC, RPX100, PX200*, PX220NTC*, PX300*, PX330NTC, XL5050*, XL5060*, (XL5***SE), (XL5***HC), (XL5500, XL5600, XL5700: GER, U.K., FRA, SWI, MYS, AUS), (XL5600NTC AV), (XL5700NTC AV), (RS15, 20, 25, 30, 35), (ML55, 65, 75), (PRESTIGE50, 100, 200, 300) | 1000003701 | | | | |
| 7 | 129583021 | NEEDLE SET (3PCS) (OTHER) | | | | | |
| | 129583001 | NEEDLE SET (3PCS) (RXL5130, RXL5232, RXL5340, RPX100) | | | | | |
| 8 | X57521021 | NEEDLE PACKAGE (1PCE) (OTHER) | | | | | |
| | X57521001 | NEEDLE PACKAGE (1PCE) (RXL5130), (RXL5232), (RXL5340), (RPX100), (XL5600: GER, U.K., FRA, SIN, CHN), (XL5600NTC AV), (XL5600HC), (RS25, 30), (PRESTIGE200) | 1000009514 | | | | |
| 9 | X58358021 | Z NEEDLE ASSY (XL5012AV), (XL5022AV), (XL5021AV), (XL5022NTP AV), (XL5032AV), (XL5031AV), (XL5032NTP AV), (XL5130, XL5232: CANADA), (XL5060NTC AV), (XL5070NTC AV) | | | | | |

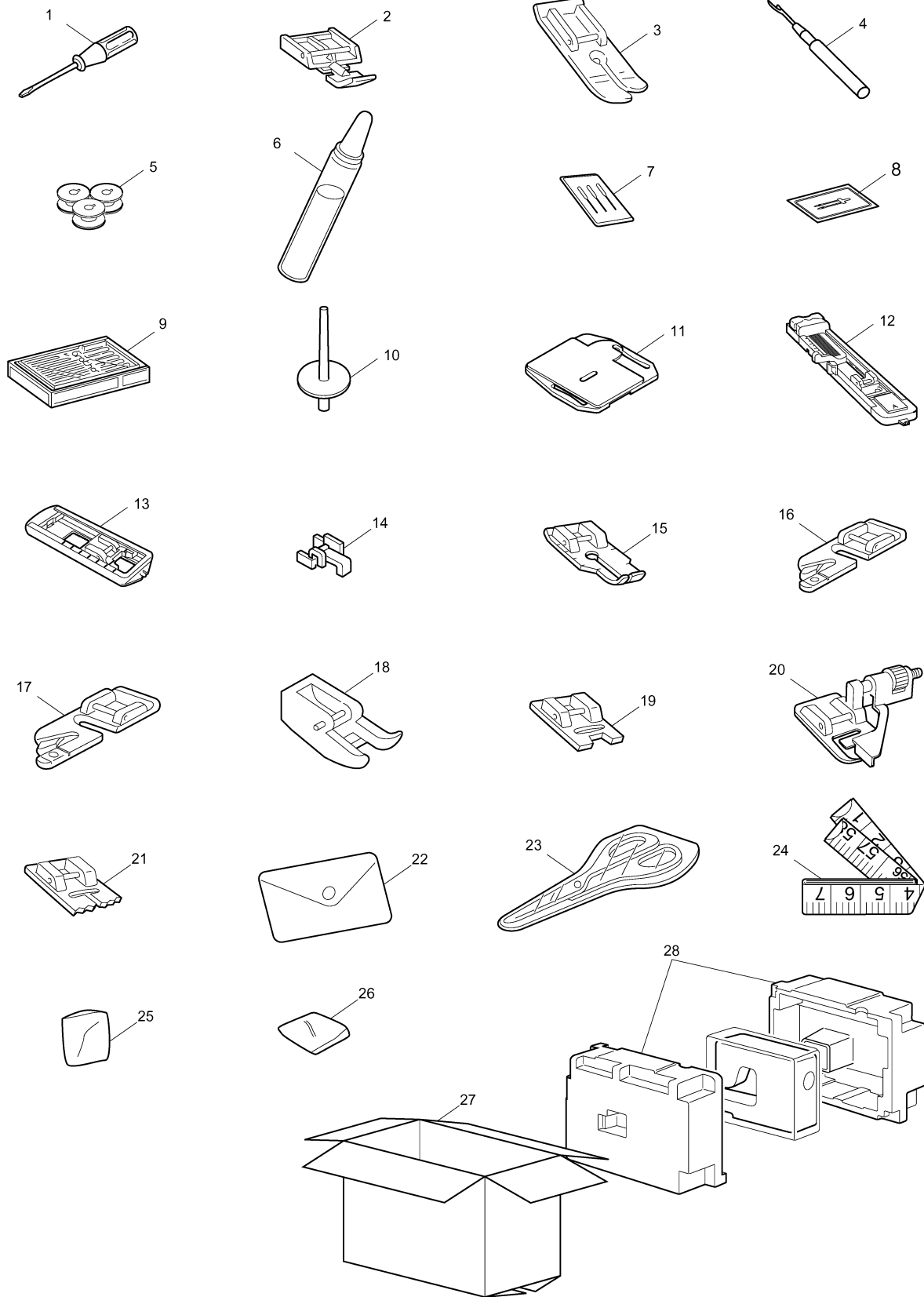
(10) ATTACHMENTS / PACKING MATERIALS / PRINTED MATTERS



(10) ATTACHMENTS / PACKING MATERIALS / PRINTED MATTERS

| No. | CODE. | NAME | REMARKS | No. | CODE. | NAME | REMARKS |
|-----|-----------|---|----------------------------|-------------------|------------------------------------|---|---------|
| 13 | X59369321 | BUTTON HOLE FOOT ASSY (XL5010*, XL5011*, XL5012*, XL5050*, XL5130, XL5500*, RS15, 20, PX100*, PX110NTC, PX150, ML55, PRESTIGE50, 100) | | 26 | 264030024 | BAG, 165X250 (XL5012AV), (XL5022AV), (XL5032AV), (XL5031AV), (XL5032NTP AV), (XL5130, XL5500, XL5232, XL5600, XL5700: CANADA)(XL5700NTC AV), (XL5300, XL5340) | 050145 |
| | X59369351 | BUTTON HOLE FOOT ASSY (RPX100, RXL5130) | | | | | |
| 14 | XE2137001 | BUTTON SEWING FOOT | 1000001059 | X53984027 | X53984057 | DUST COVER ASSY (except XL5***HC) | |
| | 180083001 | DARNING FOOT (PX100HC, PX200HC, PX300HC: CHILE) | | | | DUST COVER ASSY (RPX100) | |
| 15 | XA3805021 | 1/4' QUILTING FOOT (XL5232), (RXL5232), (XL5340), (RXL5340), (XL5700: USA, CAN, CHL, ARG, PRY), (PS21) | 1000000880 | XC1103021 | XC1103051 | DUST COVER ASSEMBLY (XL5011NTC, XL5021NTC, XL5031NTC, PX100NTC, PX110NTC, PX200NTC, PX220NTC, PX300NTC, PX330NTC) | |
| | | | | | | DUST COVER ASSEMBLY (XL5050NTC, XL5060NTC, XL5070NTC, XL5***NTC AV) | |
| 16 | 122329001 | NARROW HEMMER (XL5130, XL5232: CANADA) | | PACKING MATERIALS | | | |
| 17 | X59371021 | NARROW HEMMER FOOT (XL5130: U.S.A.), (XL5600: U.S.A., CAN), (XL5500, 5700: USA, CAN, CHL, ARG, PRY), (XL5340), (PS21) | | 27 | X61361056 | CARTON (XL5010) | |
| | | | | | X61361060 | CARTON (XL5010: RUSSIA, SINGAPORE) | |
| 18 | X53189001 | PRESSER FOOT ASSEMBLY (XL5232, XL5500, XL5600: CANADA) | | X61361070 | CARTON (XL5010NTP) | | |
| 19 | XA7875001 | PEARL SEQUENCE FOOT (XL5130, XL5500, XL5232, XL5600: CANADA) | | X61361057 | CARTON (XL5011) | | |
| | | | | X61361058 | CARTON (XL5011AV) | | |
| 20 | XE6081001 | BLIND STITCH FOOT (XL5130: U.S.A.), (XL5340), (RS15, 25, 30, 35), (XL5500*), (XL5600*), (XL5700*), (PX100*), (PX150), (PX110NTC), (PS21), (PRESTIGE100, 200, 300) | 1000012127 | X61361088 | CARTON (XL5011NTP) | | |
| | | X59372051 | BLIND STITCH FOOT (RPX100) | | X61361071 | CARTON (XL5011NTC) | |
| 21 | 125905021 | PIN TUCK PRESSER FOOT (XL5340), (XL5700: USA, CAN, CHL, ARG, PRY), (PS21) | 050214 | X61361069 | CARTON (XL5012) | | |
| | | | | X61361086 | CARTON (XL5012: SINGAPORE) | | |
| 22 | XC4487021 | ACCESSORY BAG (OTHER) | 1000008480 | X61361059 | CARTON (XL5012AV) | | |
| | | X61361078 | CARTON (XL5012NTP) | | | | |
| 23 | XC1807121 | SCISSORS (XL5***AV), (XL5***NTP AV), (XL5***NTC AV) (XL5130, XL5500, XL5232, XL5600: CANADA) | | XC7593030 | CARTON (XL5012NTP AV) | | |
| | | | | X61361061 | CARTON (XL5020) | | |
| 24 | XA5772021 | MEASURE (XL5***AV), (XL5***NTP AV), (XL5***NTC AV) (XL5130, XL5500, XL5232, XL5600: CANADA) | 040158 | X61361064 | CARTON (XL5020: RUSSIA, SINGAPORE) | | |
| | | | | X61578029 | CARTON (XL5020: KOREA) | | |
| 25 | XA8547021 | PIN CUSHION (XL5012AV), (XL5022AV), (XL5031AV), (XL5032AV), (XL5032NTP AV), (XL5130, XL5500, XL5232, XL5600: CANADA), (XL5070NTC AV), (XL5700NTC AV) | | X61361072 | CARTON (XL5020NTP) | | |
| | | | | X61361062 | CARTON (XL5021) | | |
| | | | | X61361063 | CARTON (XL5021AV) | | |
| | | | | X61361073 | CARTON (XL5021NTC) | | |
| | | | | X61361089 | CARTON (XL5021NTP) | | |
| | | | | X61361076 | CARTON (XL5022AV) | | |
| | | | | X61361079 | CARTON (XL5022NTP) | | |
| | | | | XC7593031 | CARTON (XL5022NTP AV) | | |
| | | | | X61361065 | CARTON (XL5030) | | |
| | | | | X61361068 | CARTON (XL5030: RUSSIA, SINGAPORE) | | |
| | | | | X61361074 | CARTON (XL5030NTP) | | |
| | | | | X61361066 | CARTON (XL5031) | | |
| | | | | X61361067 | CARTON (XL5031AV) | | |
| | | | | X61361075 | CARTON (XL5031NTC) | | |

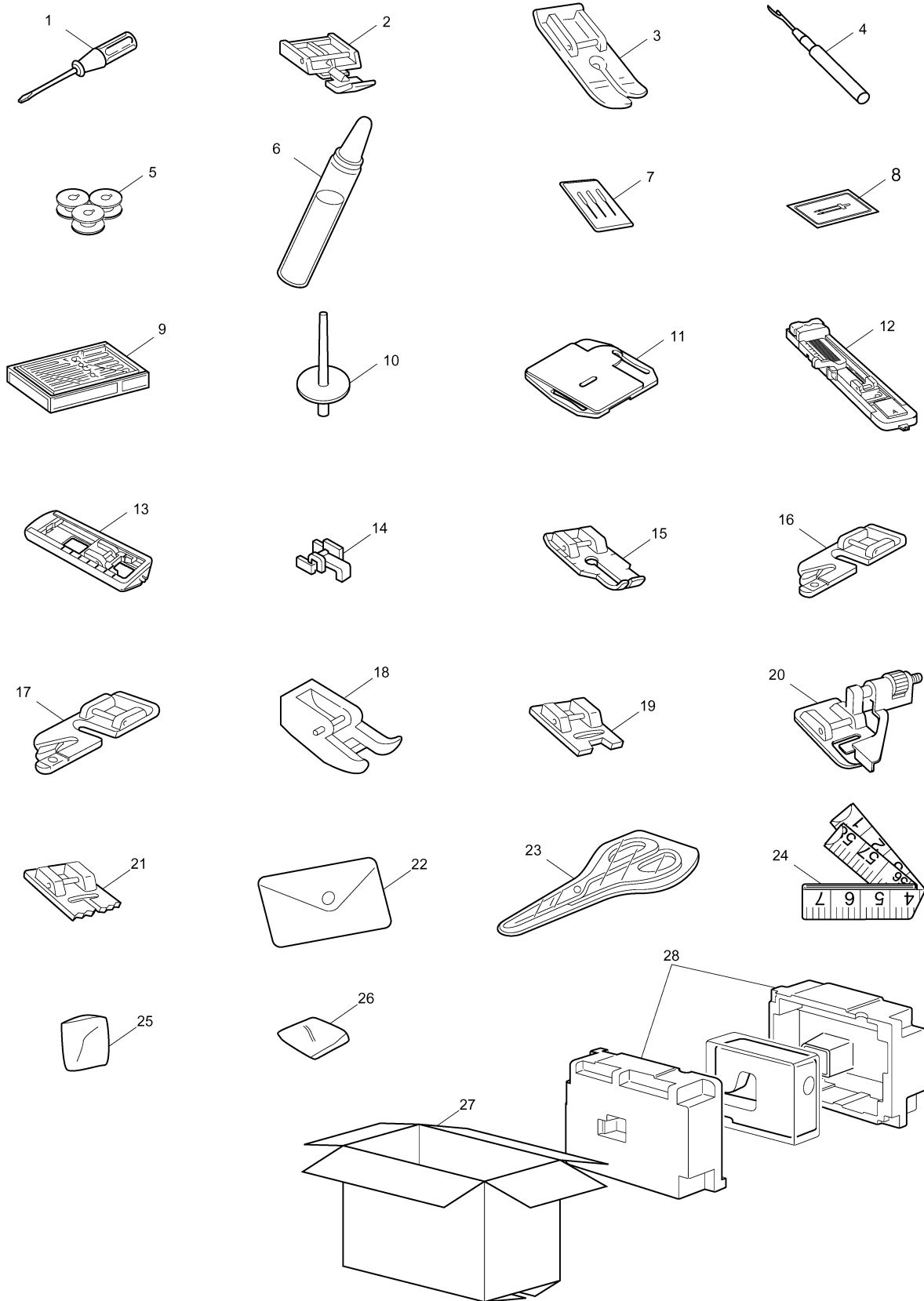
(10) ATTACHMENTS / PACKING MATERIALS / PRINTED MATTERS



(10) ATTACHMENTS / PACKING MATERIALS / PRINTED MATTERS

| No. | CODE. | NAME | REMARKS | No. | CODE. | NAME | REMARKS |
|-----|-----------|--|------------|-----|-----------|--|------------|
| 27 | X61361090 | CARTON (XL5031NTP) | | 27 | XC7593041 | CARTON (XL5700SE) | 1000003125 |
| | X61361087 | CARTON (XL5032) | | | XC7593064 | CARTON (XL5700: RUS) | 1000001491 |
| | X61361077 | CARTON (XL5032AV) | | | XD0825024 | CARTON (XL5700: KOREA) | 1000003004 |
| | X61361080 | CARTON (XL5032NTP) | | | XE2032001 | CARTON SUPPLY ASSY (XL5700: SIN, GULF, CHINA) | 1000007049 |
| | XC7593032 | CARTON (XL5032NTP AV) | | | XC7593055 | CARTON (RS-15) | 1000001491 |
| | X61361097 | CARTON (XL5050: OTHER) | | | XC7593059 | CARTON (RS-25) | 1000001491 |
| | XC7593051 | CARTON (XL5050: RUS) | 1000001491 | | XC7593063 | CARTON (RS-35) | 1000001491 |
| | XC7593027 | CARTON (XL5050NTC) | | | X61361029 | CARTON (PX100: U.S.A.) | |
| | X61361098 | CARTON (XL5060: OTHER) | | | X61361046 | CARTON (PX100: OTHER) | |
| | XC7593053 | CARTON (XL5060: RUS) | 1000001491 | | X61361034 | CARTON (PX100: CHINA) | |
| | XC7593028 | CARTON (XL5060NTC) | | | X61578026 | CARTON (PX100: KOREA) | |
| | X61361099 | CARTON (XL5070: OTHER) | | | X61578023 | CARTON (PX100HC) | |
| | XC7593054 | CARTON (XL5070: RUS) | 1000001491 | | X61361083 | CARTON (PX100NTC) | |
| | XC7593029 | CARTON (XL5070NTC) | | | X61361096 | CARTON (PX110NTC) | |
| | X61383028 | CARTON (XL5130) | | | X61361095 | CARTON (PX150) | |
| | X61383024 | CARTON (XL5130: CANADA) | | | X61361047 | CARTON (PX100: Other country) | |
| | X61383056 | CARTON (RXL5130: U.S.A.) | | | X61361028 | CARTON (PX200: U.S.A.) | |
| | XC5393052 | CARTON (RXL5130: SINGAPORE) | | | X61361048 | CARTON (PX200: OTHER) | |
| | X61383025 | CARTON (XL5232) | | | X61361085 | CARTON (PX200: SINGAPORE) | |
| | X61383057 | CARTON (RXL5232: U.S.A.) | | | X61361035 | CARTON (PX200: CHINA) | |
| | XC5393051 | CARTON (RXL5232: SINGAPORE) | | | X61578022 | CARTON (PX200HC, PX200: KOREA) | |
| | X61361021 | CARTON (XL5300) | | | X61578027 | CARTON (PX200: IRAQ) | |
| | X61383029 | CARTON (XL5340) | | | X61361082 | CARTON (PX200NTC) | |
| | XC5393053 | CARTON (RXL5340) | | | XC7593033 | CARTON (PX220NTC) | |
| | X61383030 | CARTON (XL5500: U.S.A., CANADA) | | | X61361049 | CARTON (PX200: Other country) | |
| | X61383034 | CARTON (XL5500: OTHER) | | | X61361027 | CARTON (PX300: U.S.A.) | |
| | X61383036 | COLOR CARTON (XL5500: SIN, CHINA, MYS) | 1000009865 | | X61361054 | CARTON (PX300: OTHER) | |
| | X61578030 | CARTON (XL5500HC) | | | X61361084 | CARTON (PX300: SINGAPORE) | |
| | XC7593034 | CARTON (XL5500SE) | | | X61361036 | CARTON (PX300: CHINA) | |
| | XC7593056 | CARTON (XL5500: GER, U.K, FRA) | 1000001491 | | X61578028 | CARTON (PX300: IRAQ) | |
| | XD0825022 | CARTON (XL5500: KOREA) | 1000003004 | | X61578021 | CARTON (PX300HC) | |
| | X61383031 | CARTON (XL5600: U.S.A., CANADA) | | | X61361081 | CARTON (PX300NTC) | |
| | X61383037 | COLOR CARTON (XL5600: SIN, CHINA) | 1000009514 | | X61361094 | CARTON (PX330NTC) | |
| | X61578031 | CARTON (XL5600HC) | | | X61361055 | CARTON (PX300: Other country) | |
| | XC7593025 | CARTON (XL5600NTC AV) | | | XC7593038 | CARTON (XL5050NTC AV) | |
| | XC7593060 | CARTON (XL5600: GER, U.K, FRA) | 1000001491 | | XC7593039 | CARTON (XL5060NTC AV) | |
| | XD0825023 | CARTON (XL5600: KOREA) | 1000003004 | | XC7593040 | CARTON (XL5070NTC AV) | |
| | X61383032 | CARTON (XL5700: U.S.A., CANADA) | | | XC7593048 | CARTON (ML55) | ADD |
| | X61383033 | CARTON (XL5700: OTHER) | | | XC7593049 | CARTON (ML65) | ADD |
| | X61383038 | COLOR CARTON (XL5700: SWI) | 1000003701 | | XC7593050 | CARTON (ML75) | ADD |
| | X61383039 | COLOR CARTON (XL5700: MYS) | 1000009893 | | XC7593057 | CARTON (RS20) | 1000001491 |
| | X61383040 | COLOR CARTON (XL5500: AUS) | 1000012524 | | XC7593061 | CARTON (RS30) | 1000001491 |
| | X61383041 | COLOR CARTON (XL5700: AUS) | 1000012538 | | XC7593066 | CARTON (PS21) | 1000002336 |
| | X61578032 | CARTON (XL5700HC) | | | | | |
| | XC7593026 | CARTON (XL5700NTC AV) | | | | | |

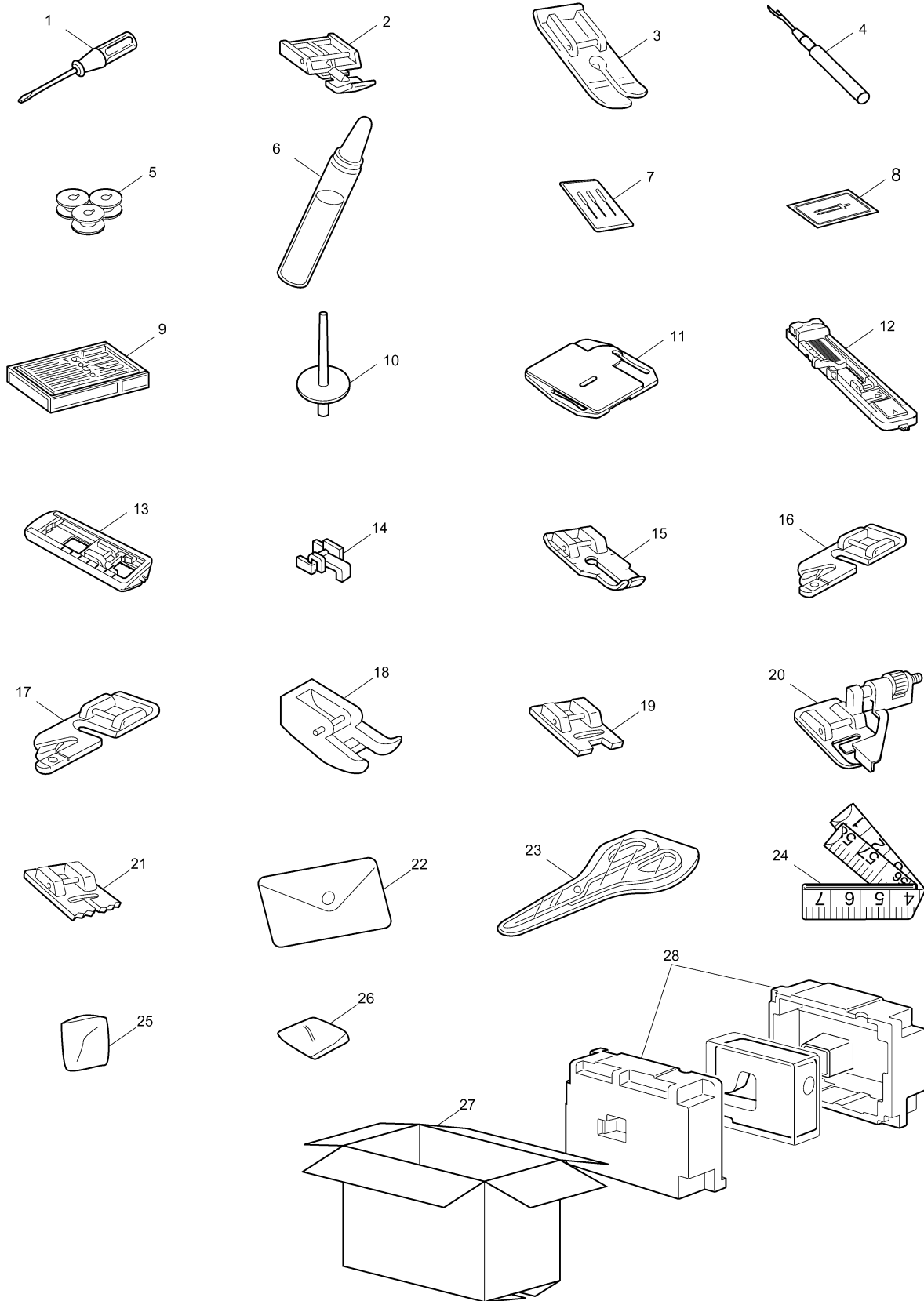
(10) ATTACHMENTS / PACKING MATERIALS / PRINTED MATTERS



(10) ATTACHMENTS / PACKING MATERIALS / PRINTED MATTERS

| No. | CODE. | NAME | REMARKS | No. | CODE. | NAME | REMARKS |
|-----------------|-----------|--|------------|-----|-----------|--|------------|
| 27 | XC7593052 | CARTON (PRESTIGE50) | | | 194457013 | INSTRUCTION BOOK (PX*: FIN, DEN, SWE) | |
| | XC7593058 | CARTON (PRESTIGE100) | | | 194457014 | INSTRUCTION BOOK (PX*: AUSTRIA) | |
| | XC7593062 | CARTON (PRESTIGE200) | | | 194457015 | INSTRUCTION BOOK (PX*: ITA, SWI, CHINA) | |
| | XC7593065 | CARTON (PRESTIGE300) | | | 194457017 | INSTRUCTION BOOK (XL5130, RXL5130, XL5232, RXL5232, XL5340, RXL5340) | |
| 28 | X61363121 | 457 POLYSTYRENE ASSY (XL50*0, XL5130, XL5232, XL5300, XL5340), (PX100, PX200, PX300) | 060055 | | 194457111 | INSTRUCTION BOOK (XL5300, PX Other) | |
| | X61363051 | 457 POLYSTYRENE ASSY (RXL5130, RXL5232, RXL5340, RPX100) | | | XC1672001 | INSTRUCTION BOOK (PX200, 300: IRAQ) | |
| | XC7366021 | POLYSTYRENE FOAM PAD ASSY, 458 (XL5050, 5050NTC AV, 5060, 5060NTC AV, 5070, 5070NTC AV, 5500, 5600, 5700, ML55, 65, 75, RS20, 30, PS21, PRESTIGE50, 100, 200, 300) | | | XC5306021 | INSTRUCTION BOOK (PX330NTC) | |
| | XC9871121 | POLYSTYRENE FOAM PAD ASSY, 454 (XL5500, XL5600, XL5700, XL5***HC) | 060055 | | XC7094151 | INSTRUCTION BOOK (Russian) (RXL5130, RXL5232, RXL5340) | |
| | X61570121 | 467 CASE POLY-STYRENE ASSY (PX100HC, PX200HC, PX300HC, PX200, PX300: IRAQ), (XL5020, PX100, PX200: KOREA) | 060055 | | XC7132021 | INSTRUCTION BOOK (English) (PX110NTC, PX220NTC, PX330NTC) | |
| | X60853120 | OVER CASE POLYSTYRENE (PX**, XL5***HC) | 060055 | | XD1162021 | INSTRUCTION BOOK (Russian) (XL5050, XL5060, XL5070: U.K., RUS, SIN), (XL5050NTC), (XL5060NTC), (XL5070NTC), (ML55), (ML65), (ML75), (PRESTIGE50) | 050282 |
| | X60439151 | BAG 630X630T (RXL5130, RXL5232, RXL5340, RPX100) | 1000013192 | | XC6758021 | INSTRUCTION BOOK (French) (XL5050, XL5060, XL5070: FRA, SWI) | |
| | X60439121 | BAG 630X630T (OTHER) | 1000013192 | | XC6885021 | INSTRUCTION BOOK (French) (XL5500, XL5600, XL5700: CAN, FRA, SWI) | 1000003701 |
| | X57847021 | PLUG LABEL | | | XC6884021 | INSTRUCTION BOOK (German) (XL5500, XL5500SE, XL5600, XL5700: GER, SWI) | 1000003701 |
| | X57325021 | LABEL | | | XC6886021 | INSTRUCTION BOOK (Dutch) (XL5500, XL5600, XL5700: FRA) | |
| | X60352020 | ACCESSORY TABLE PRESSER D (except PRESTIGE100, 200, 300) | | | XC7137021 | INSTRUCTION BOOK (Dutch) (XL5050, XL5060, XL5070: FRA) | |
| | X60726020 | FOOT CONTROLLER BOX (except PRESTIGE100, 200, 300) | | | XC7144021 | INSTRUCTION BOOK (Italian) (XL5050, XL5060, XL5070: ITA, SWI) | |
| | X61181021 | STYROFOAM | | | XC7439021 | INSTRUCTION BOOK (German) (XL5050, XL5060, XL5070: GER, SWI) | |
| | LA6041001 | SECURITY TAG (except XL5500) | 1000013831 | | XC7363121 | INSTRUCTION BOOK (English) (XL5500, XL5600, XL5700: U.S.A., CAN, U.K., AUS) (XL5500NTC AV, 5600NTC AV, 5700NTC AV) (XL5500SE, 5700SE: U.K., PS21) | 1000002251 |
| | XC7193021 | STICKER | | | XC6887021 | INSTRUCTION BOOK ITA (Italian) (XL5000, XL5500SE: ITA, XL5700: SWI) | 1000003701 |
| | XC7680021 | STICKER (XL5500: CANADA) | | | XC6752021 | INSTRUCTION BOOK (XL5050*, XL5060*, XL5070*: U.K., SIN, NEU) | |
| PRINTED MATTERS | | | | | | | |
| | 194447011 | INSTRUCTION BOOK (IRE, U.K., SPA, POR, ITA, SWI, SIN) | | | XE4543001 | INSTRUCTION BOOK BR (PS21: BRA) | 1000007560 |
| | 194447012 | INSTRUCTION BOOK (GER, BEL, FRA, HOL, SWI) | | | XE5007001 | INSTRUCTION BOOK BG (AUT) | 1000008616 |
| | 194447013 | INSTRUCTION BOOK (PX*: FIN, DEN, SWE) | | | XD0114021 | INSTRUCTION BOOK CHN (XL5500, XL5600, XL5700: CHN) | 1000009514 |
| | 194447014 | INSTRUCTION BOOK (AUSTRIA, RUSSIA), (XL5012: SIN) | | | XC7364021 | INSTRUCTION BOOK (Spanish) (XL5500, XL5600, XL5700: OTHER), (PS21), (XL5***HC) | |
| | 194457012 | INSTRUCTION BOOK (PX*: GER, BEL, FRA, HOL, SWI) | | | | | |

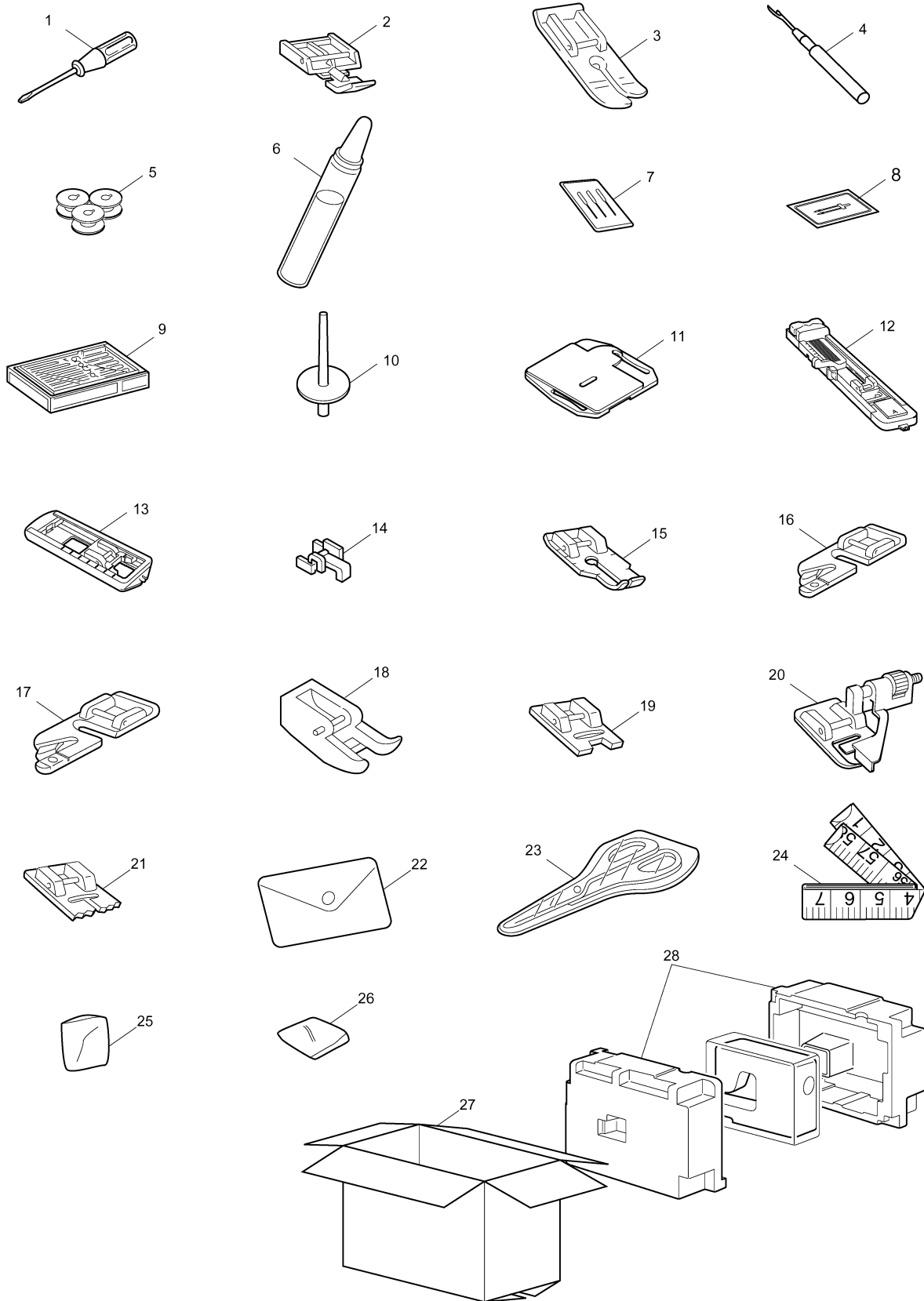
(10) ATTACHMENTS / PACKING MATERIALS / PRINTED MATTERS



(10) ATTACHMENTS / PACKING MATERIALS / PRINTED MATTERS

| No. | CODE. | NAME | REMARKS | No. | CODE. | NAME | REMARKS |
|-----|----------------------|---|------------|-----|-----------|---|------------|
| | XC8509121 | INSTRUCTION BOOK (RS15, 20, 25, 30, 35), (PRESTIGE100, 200, 300) | 050192 | | XC2067121 | USER'S MANUAL (XL5232, XL5340, XL5600: CAN), (XL5700: USA, CAN, CHL, ARG, PRY, PS21) | 060039 |
| | XD0854121 | INSTRUCTION BOOK HAN (XL5500, XL5600, XL5700: KOREA) | 050311 | | XC2067051 | USER'S MANUAL (RXL5232, RXL5340) | |
| | 130800021 | BAG, 230X310H | 1000011228 | | XC1885021 | MANUAL (XL5130, XL5500, XL5232, XL5600, XL5340, XL5700: USA, CAN, CHL, ARG, PRY, PS21) | |
| | 130800051 | BAG, 220X310 (RXL5130, RXL5232, RXL5340) | | | XA7651021 | MANUAL (XL5130, XL5232, XL5500, XL5600: CANADA) | |
| | LA1661001 | WARRANTY CARD EURO CH | 1000010793 | | XA7876021 | MANUAL (XL5130, XL5232, XL5500, XL5600: CANADA) | |
| | XC6402021 | WARRANTY CARD (U.K.) | | | XA9089021 | MANUAL (XL5340, XL5700: USA, CAN, CHL, ARG, PRY, PS21) | |
| | XC0380021 | WARRANTY CARD (XL5130), (XL5232), (XL5340), (XL5500, 5600, XL5700: U.S.A.) | | | XC6860021 | MANUAL (XL5050*), (XL5060*), (XL5070*), (XL5500: GER, FRA, MYS, AUS), (XL5***SE), (XL5600: Except for U.S.A. CANADA), (XL5700: GER, U.K, FRA, SWI, MYS, AUS), (XL5***NTC AV), (RS15, 20, 25, 30, 35), (XL5***HC), (PRESTIGE50, 100, 200, 300) | 1000003701 |
| | XC0435021 | WARRANTY CARD (PX100, PX200, PX300: U.S.A.) | | | XC0021021 | OPERATION MANUAL (FINLAND) | |
| | XC1153021 | WARRANTY CARD (PX100, PX200, PX300: ARG) | | | XC4028121 | QUICK START GUIDE (XL5011AV, XL5011NTC, XL5012NTP, XL5012NTP AV, XL5020NTC, XL5021NTC, XL5022NTP, XL5022NTP AV, XL5031NTC, XL5032NTP, XL5032NTP AV) | |
| | XA6351221 | WARRANTY CARD (XL5500, XL5500SE: ITA) | 1000004829 | | XC8324021 | QUICK START GUIDE (XL5050NTC, XL5060NTC, XL5070NTC, XL5***NTC AV) | |
| | XD1328221 | WARRANTY CARD CHINA (XL5500, XL5600, XL5700: CHINA) | 1000012599 | | XC5407321 | QUICK START GUIDE (PX100NTC, PX110NTC, PX200NTC, PX220NTC, PX300NTC, PX330NTC) | |
| | XC8946021 | WARRANTY CARD C (PS21) | 1000002336 | | XE4769001 | QUICK REFERENCE GUIDE (AUT) (Cesko) | 1000007823 |
| | XE4548001 | WARRANTY CARD BR HEM (PS21: BRA) | 1000007560 | | XE4770001 | QUICK REFERENCE GUIDE (AUT) (Hungary) | 1000007823 |
| | XC9286021 | CONTACT SHEET (XL5130, XL5232, XL5340, XL5500, XL5600, XL5700: CANADA) | 1000001810 | | XE4771001 | QUICK REFERENCE GUIDE (AUT) (Poland) | 1000007823 |
| | XE2010001 | WARRANTY CARD BROTHER CANADA (XL5130, XL5232, XL5340, XL5500, XL5600, XL5700: CANADA) | 1000001038 | | XE4610001 | QUICK REFERENCE GUIDE (AUT) (Romania) | 1000007823 |
| | 181401230 | INSERTION WARRANTY COUPON (XL5130, XL5232, XL5340, XL5500, XL5600, XL5700: CANADA) | 040204 | | XE5014001 | QUICK REFERENCE GUIDE BG (AUT) | 1000008616 |
| | XE5572001 | WARRANTY CARD BROTHER RUS (RUS), (PRESTIGE100, 200, 300) | 1000010023 | | XC6911021 | ACCINFO SHEET (XL5500, XL5600, XL5700: U.S.A.) | |
| | XE5652001 | WARRANTY CARD BROTHER ARG (XL5500, XL5700) | 1000011223 | | XE1158101 | BOOKLET | 060168 |
| | LW3135001 | CEE WARRANTY CARD (XL5500, XL5600, XL5700: EEU) | 1000011500 | | XE6308001 | INNOV-IS RANGE PROMOTION DVD | 1000013646 |
| | XE2895001 | OPTIONAL 5YEAR WARRANTY CARD (U.K.) | 1000004069 | | XE6623001 | INSERTION (XL5500: CAN) | 1000014468 |
| | XE5610101 | WARRANTY CARD 2YEARS ITA (ITA) | 1000013378 | | | | |
| | XE5609101 | WARRANTY CARD 5YEARS ITA (ITA) | 1000013378 | | | | |
| | XD0256121 | INSERTION WEEE (except PRESTIGE50, 100, 200, 300) | 1000002031 | | | | |
| | XA7201021 | USER'S MANUAL (XL5130: U.S.A., XL5340, XL5500*, XL5600*, XL5700*, RS15, 20, 25, 30, 35, PS21, PRESTIGE100, 200, 300) | | | | | |

(10) ATTACHMENTS / PACKING MATERIALS / PRINTED MATTERS



brother®

XL Series/PX Series
07E04HF885443-448/453-458/463/465/467

12. 2003.
09. 2009.