

PARTS CATALOGUE FOR

XL 3010

XL 4010/XL 4010AV

XL 4011/XL 4011AV

XL 4012

XL 4013

XL 4014

XL 4015/XL 4015AV

CH801/ACE100

BL130/PL120

STAR1000

CONTENTS

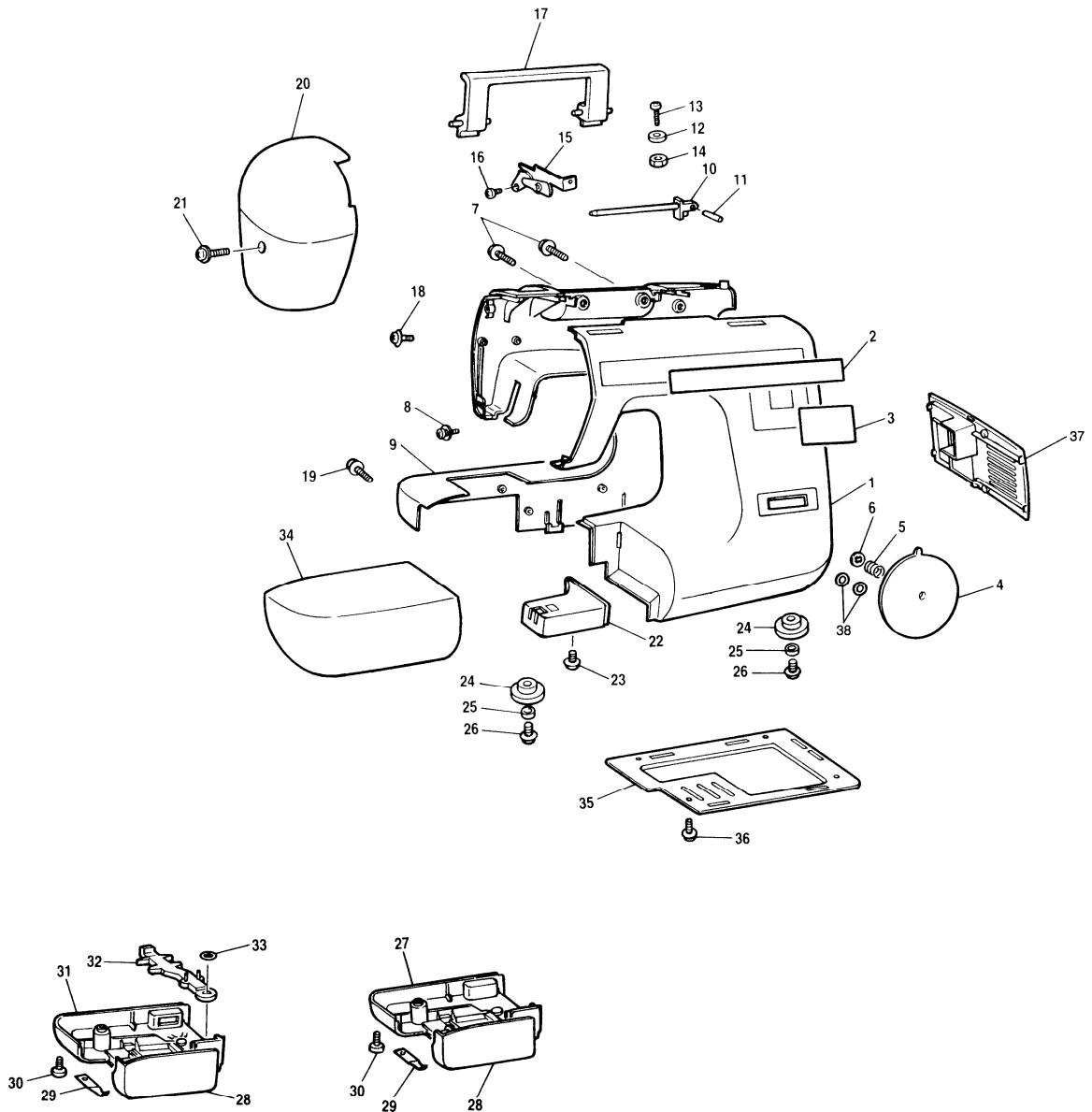
(1) PRINCIPAL PARTS.....	2
(2) UPPER SHAFT, NEEDLE BAR AND FEED MECHANISM	4
(3) SHUTTLE HOOK, BH AND FEED ADJUST MECHANISM	8
(4) PATTERN SELECTION MECHANISM.....	10
(5) LAMP, THREAD GUIDE AND MOTOR UNIT	12
(6) ACCESSORY	14

Note on parts:

We keep performance parts for this sewing machine for at least 8 years after this model is discontinued. Performance parts are the necessary parts to maintain the function of the sewing machine.

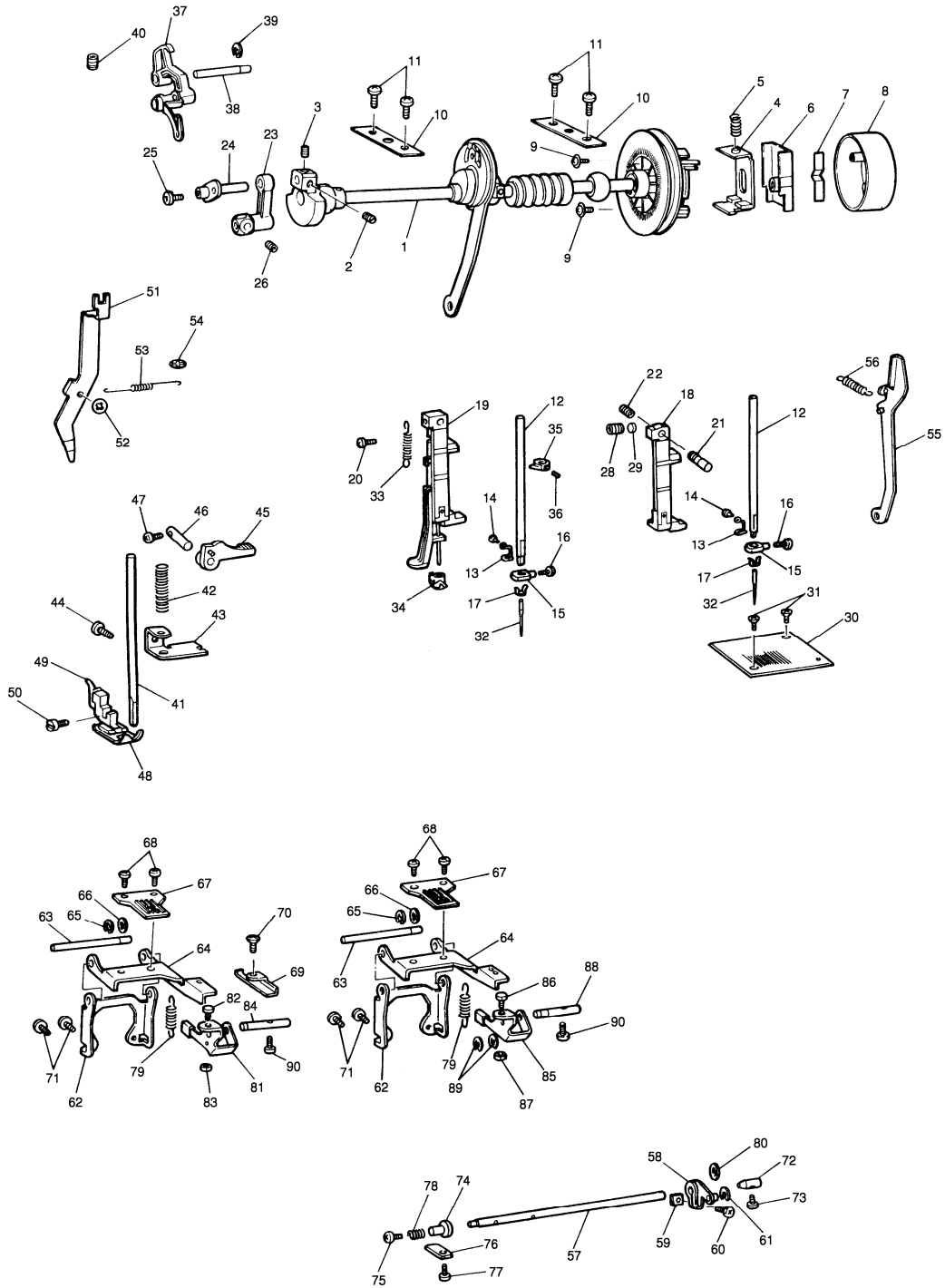
(1) PRINCIPAL PARTS

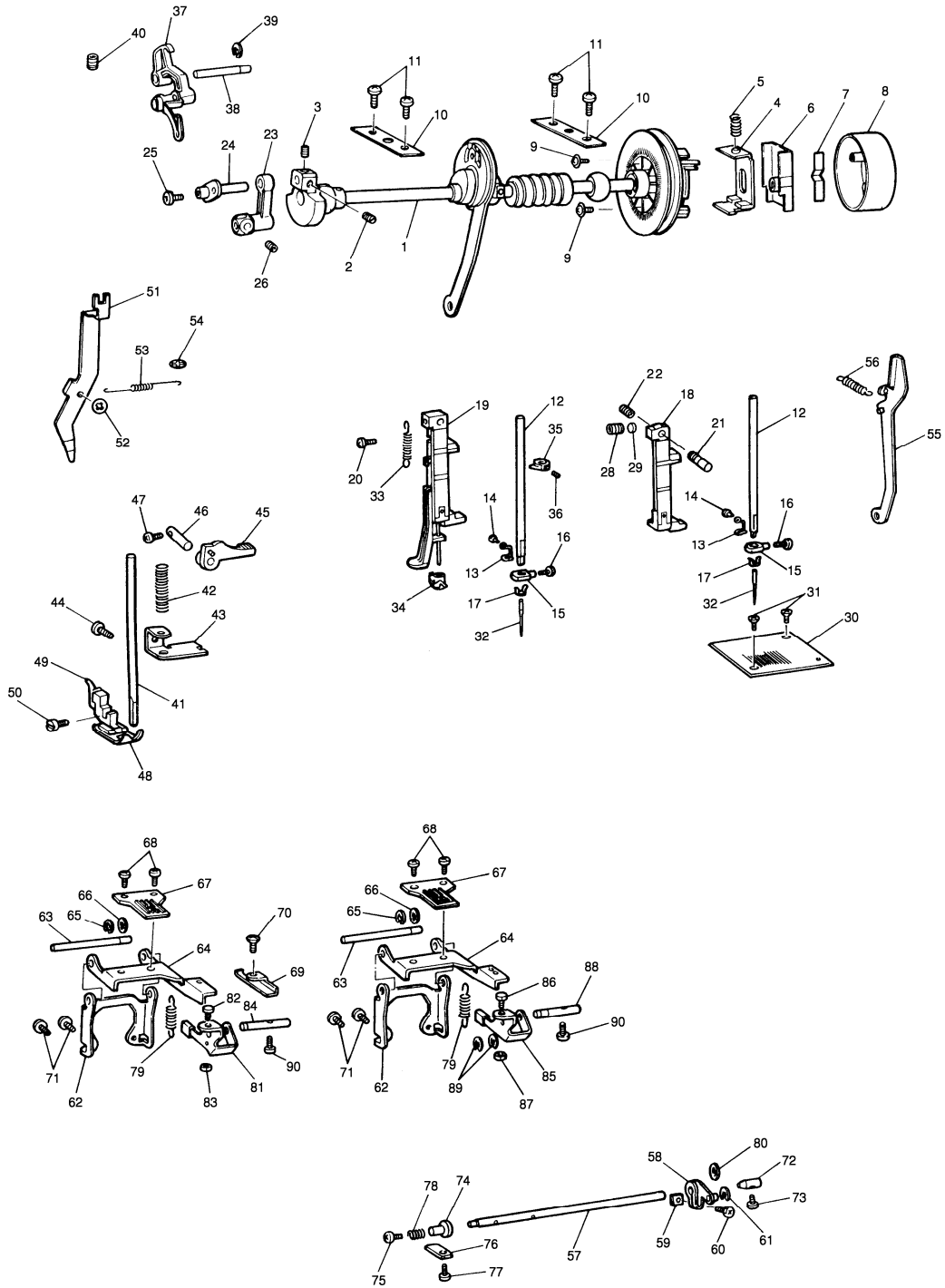
No.	CODE	PARTS NAME	REMARKS	No.	CODE	PARTS NAME	REMARKS
1	X59592151	FRONT COVER		20	X59599051	FACE PLATE (U.K.)	
2	X59593052	DECORATION PLATE A (XL3010)			X59666051	FACE PLATE (GERMANY)	
	X59593079	DECORATION PLATE A (XL4010)		21	052401406	SCREW, PAN (S/P WASHER) M4X14	
	X59593083	DECORATION PLATE A (XL4014)		22	X59601051	FOOT COVER	
	X59593080	DECORATION PLATE A (XL4011/4011AV)		23	X57300051	SCREW	
	X59593082	DECORATION PLATE A (XL4013)		24	X58361051	RUBBER CUSHION	
	XA2335070	DECORATION PLATE A (ACE100)		25	X56474051	SPACER	
	XA2335071	DECORATION PLATE A (STAR1000)		26	X57297051	SCREW	
	X59593081	DECORATION PLATE A (XL4012)		27	X59103051	BED COVER	
	XA2335061	DECORATION PLATE A (XL4015/4015AV)		28	X59104051	HINGED DOOR	
	XA2335065	DECORATION PLATE A (CH801)		29	X53638151	SPRING	
	XA2335072	DECORATION PLATE A (BL130)		30	052401406	SCREW, PAN (S/P WASHER) M4X14	
	XA2335073	DECORATION PLATE A (PL120)		31	X59106051	BED COVER	
	3	X59594052	DECORATION PLATE B (XL3010)		32	X59348051	DROP LEVER
X59594069		DECORATION PLATE B (XL4010)		33	138384051	RETAINING RING,CS5	
X59594073		DECORATION PLATE B (XL4014)		34	X59602051	ACCESSORY TABLE	
X59594070		DECORATION PLATE B (XL4011/4011AV)		35	X59108050	BASE PLATE (OTHER)	
X59594072		DECORATION PLATE B (XL4013)			X59465050	BASE PLATE (DUAL MOTOR)	
X59594093		DECORATION PLATE B (ACE100)		36	X57297051	SCREW	
X59594094		DECORATION PLATE B (STAR1000)		37	X59109051	SWITCH COVER A (OTHER)	
X59594071		DECORATION PLATE B (XL4012)			X59109053	SWITCH COVER A (SAU, KOR)	
X59594089		DECORATION PLATE B		38	X57355050	SPACER	
		(XL4015/4015AV, CH801)			XC4167051	CAUTION STICKER (KOR)	ADD
X59594095		DECORATION PLATE B (BL130)					
X59594096	DECORATION PLATE B (PL120)						
4	X59597051	PATTERN INDICATOR PLATE					
5	X50223051	SPRING (OTHER)					
	250223051	SS KEY TOP SPRING (CH801, PL120)					
6	146200051	RETAINING RING, CS4					
7	XA3337052	TAPTITE, CUP P M4X20					
8	053400806	SCREW, PAN (T WASHER) M4X8					
9	X59052151	REAR COVER					
10	X59053051	SPOOL PIN					
11	XA4471051	PIN					
12	X59864151	BOBBIN PRESSER					
13	052301606	SCREW, PAN (S/P WASHER) M3X16					
14	021300106	NUT 1 M3					
15	X59055051	THREAD GUIDE ASSEMBLY					
16	138433051	TAPTITE, PAN B M3X6					
17	X59101151	CARRYING HANDLE					
18	053400806	SCREW, PAN (T WASHER) M4X8					
19	052401406	SCREW, PAN (S/P WASHER) M4X14					
20	X59598051	FACE PLATE (OTHER)					
	X59600051	FACE PLATE (USA)					



(2) UPPER SHAFT, NEEDLE BAR AND FEED MECHANISM

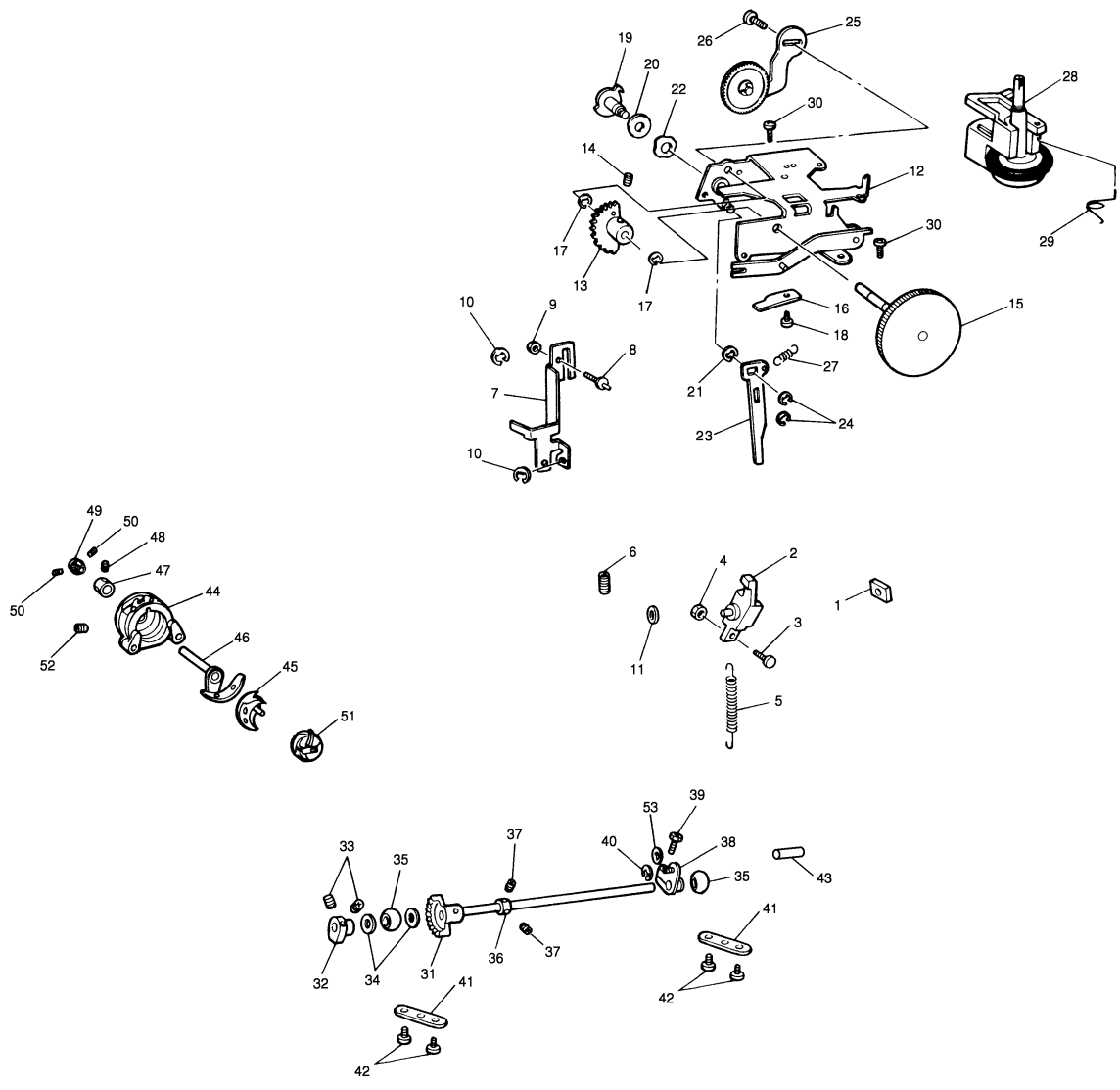
No.	CODE	PARTS NAME	REMARKS	No.	CODE	PARTS NAME	REMARKS
1	XA0297251	UPPER SHAFT ASSY		40	014400632	SET SCREW SOCKET (CP) M4X6	
2	X54013051	SET SCREW SM6.35		41	128437050	PRESSER BAR	
3	014400632	SET SCREW SOCKET (CP) M4X6		42	X57914151	PRESSER BAR SPRING	
4	X59284050	CLUTCH RELEASE		43	X57915051	PRESSER BAR BRACKET	
5	X59285051	SPRING	CHG	44	X52760051	SET SCREW, PAN M6X12	
6	X59286051	CLUTCH RELEASE SWITCH		45	X51943151	PRESSER FOOT LIFTER	
7	X59287051	SPRING	CHG	46	X54552051	PRESSER FOOT LIFTER STUD	
8	X59289051	BALANCE WHEEL	CHG	47	X57913051	TAPTITE, BIND S M4X16	
9	136869051	SCREW		48	138135152	ZIGZAG PRESSER FOOT	
10	X57907051	BUSHING PRESSER		49	138134051	PRESSER FOOT HOLDER	
11	X57908051	TAPTITE, BIND S M4X10		50	132730151	TIGHTENING SCREW 3.57	
12	136872151	NEEDLE BAR		51	X52653151	TENSION RELEASE PLATE C	
13	XA0974151	THREAD GUIDE, NEEDLE BAR		52	120454051	RETAINING RING, CS3	
14	X53053052	SCREW SM2.38		53	X51946051	SPRING	
15	129627051	NEEDLE CLAMP		54	120454051	RETAINING RING, CS3	
16	131226051	NEEDLE CLAMP SCREW, SM3.57		55	X54375051	FEED CONNECTING ROD	
17	125161180	NEEDLE GUIDE PLATE		56	X54378051	SPRING	
18	X54366150	NEEDLE BAR SUPPORTER (EXCEPT: STAR1000)		57	X57917050	HORIZONTAL FEED SHAFT	
19	X54713451	NEEDLE BAR SUPPORTER ASSEMBLY (STAR1000)		58	X54381051	HORIZONTAL FEED SHAFT ARM	
20	060300616	SCREW BIND M3X6 (STAR1000)		59	X54384051	NUT	
21	X54368051	NEEDLE BAR SUPPORTER STUD		60	060401416	SCREW BIND M4X14	
22	X54369051	SPRING		61	048050346	RETAINING RING E5	
23	XA1289151	NEEDLE BAR CRANK ROD ASSY		62	X57919051	HORIZONTAL FEED PLATE	
24	X59115151	NEEDLE BAR CRANK		63	X57920051	FEED STAND SHAFT	
25	132051052	SCREW, FLAT SM3.57-40X7 L		64	X59118051	FEED BAR	
26	012400432	SET SCREW SOCKET (FT) M4X4		65	048030346	RETAINING RING E3	
27	100507050	METAL PLATE	DEL	66	146200051	RETAINING RING, CS4	
28	014400432	SET SCREW SOCKET (CP) M4X4		67	X54389051	FEED DOG	
29	138607050	WASHER, PLAIN		68	060300416	SCREW BIND M3X4	
30	X57911051	NEEDLE PLATE		69	X59120051	FEED PLATE COVER	
31	X50487051	SCREW M4		70	061300416	SCREW FLAT M3X4	
32	100028014	SEWING NEEDLE (OTHER)		71	060400816	SCREW BIND M4X8	
	117914114	NEEDLE HAX130 (GER)		72	X54390051	TAPER POINT STUD R	
33	X50476051	SPRING (STAR1000)		73	X57913051	TAPTITE,BIND S M4X16	
34	X54817102	HOOK ASSEMBLY (STAR1000)		74	X54391150	TAPER POINT STUD L	
35	X52882150	THREAD POSITIONER (STAR1000)		75	062400416	SCREW, PAN M4X4	
36	014400432	SET SCREW SOCKET (CP) M4X4 (STAR1000)		76	137734051	PRESSER PLATE A	
37	X52651151	THREAD TAKE-UP ASSEMBLY		77	X57908051	TAPTITE, BIND S M4X10	
38	X59254051	THREAD TAKE-UP LEVER STUD		78	X56613051	SPRING	
39	048040346	RETAINING RING E4		79	X54393151	SPRING	
				80	X53330050	WASHER	
				81	X54395051	VERTICAL FEED PLATE	
				82	X59124051	ADJUSTING SCREW	





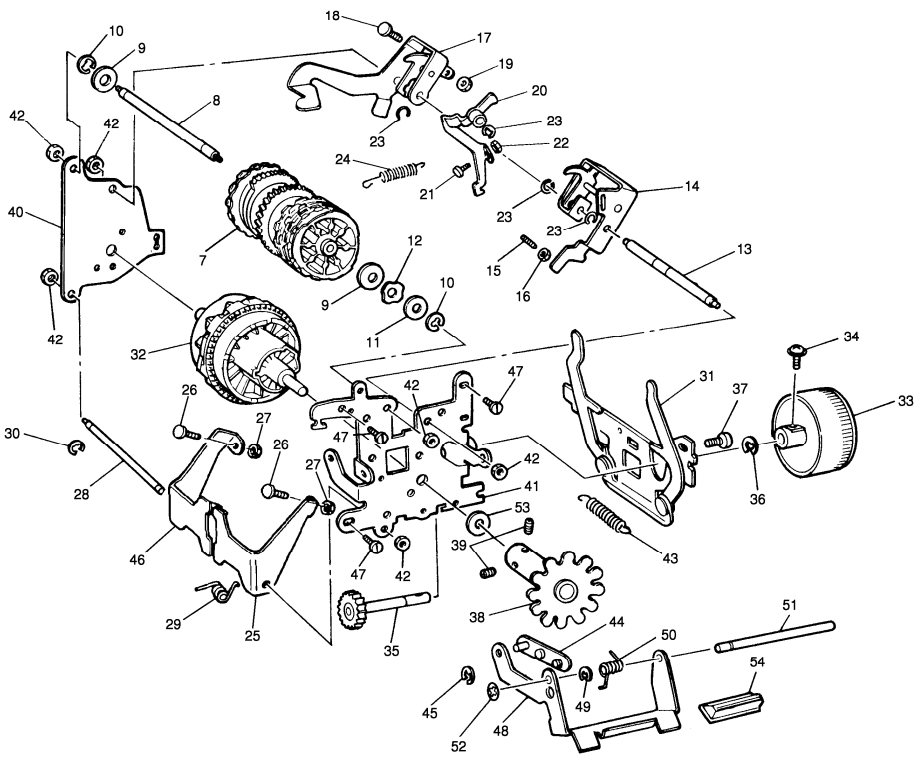
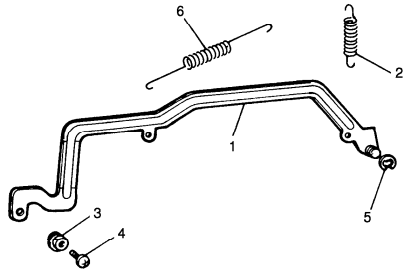
(3) SHUTTLE HOOK, BH AND FEED ADJUST MECHANISM

No.	CODE	PARTS NAME	REMARKS	No.	CODE	PARTS NAME	REMARKS
1	X55473051	FEED SQUARE BLOCK		44	X56767051	SHUTTLE RACE ASSEMBLY	
2	X59710051	FEED REGULATOR ASSEMBLY		45	128581053	SHUTTLE HOOK	
3	X59200051	SCREW		46	X54429051	SHUTTLE DRIVER ASSEMBLY	
4	X56960051	NUT 4		47	X54433051	COLLAR	
5	X59127051	SPRING		48	014400432	SET SCREW SOCKET (CP) M4X4	
6	014400632	SET SCREW SOCKET (CP) M4X6		49	X54514050	SHUTTLE DRIVER SHAFT GEAR	
7	X59604051	REVERSE SEWING LEVER		50	151602051	SET SCREW, SM4.37	
8	X59223051	SCREW		51	128582053	BOBBIN CASE ASSEMBLY	
9	X56960051	NUT 4		52	014500532	SET SCREW SOCKET (CP) M5X5	
10	048040346	RETAINING RING E4		53	X53330050	WASHER	
11	X53330050	WASHER					
12	X59130051	FEED BRACKET PLATE ASSEMBLY					
13	X51965151	FEED DIAL GEAR A ASSY	CHG				
14	014400432	SET SCREW SOCKET (CP) M4X4					
15	X59184151	FEED DIAL	CHG				
16	X54979051	SPRING					
17	048040346	RETAINING RING E4					
18	060400416	SCREW, BIND M4X4					
19	X57803051	BH ADJUSTING ECCENTRIC STUD					
20	128491051	WASHER, PLAIN					
21	048050346	RETAINING RING E5					
22	X57150051	WASHER					
23	X57422051	BH ADJUSTING LEVER					
24	048030346	RETAINING RING E3					
25	X59198051	FEED GEAR B ASSEMBLY					
26	060401416	SCREW BIND M4X14					
27	X51978051	SPRING					
28	X59189051	BOBBIN WINDER ASSEMBLY					
29	X52102051	SPRING					
30	X57908051	TAPTITE, BIND S M4X10					
31	X58483051	LOWER SHAFT ASSEMBLY					
32	X54424050	VERTICAL FEED CAM					
33	014400432	SET SCREW SOCKET (CP) M4X4					
34	X51383050	WASHER, THRUST					
35	X52664050	LOWER SHAFT BUSHING					
36	137768151	SET SCREW COLLAR					
37	014400432	SET SCREW SOCKET (CP) M4X4					
38	XA1319051	LOWER SHAFT CRANK ASSEMBLY					
39	X59255051	BOLT M4X14					
40	048050346	RETAINING RING E5					
41	X57943051	BUSHING PRESSER					
42	060401016	SCREW BIND M4X10					
43	XA0532051	SHAFT					



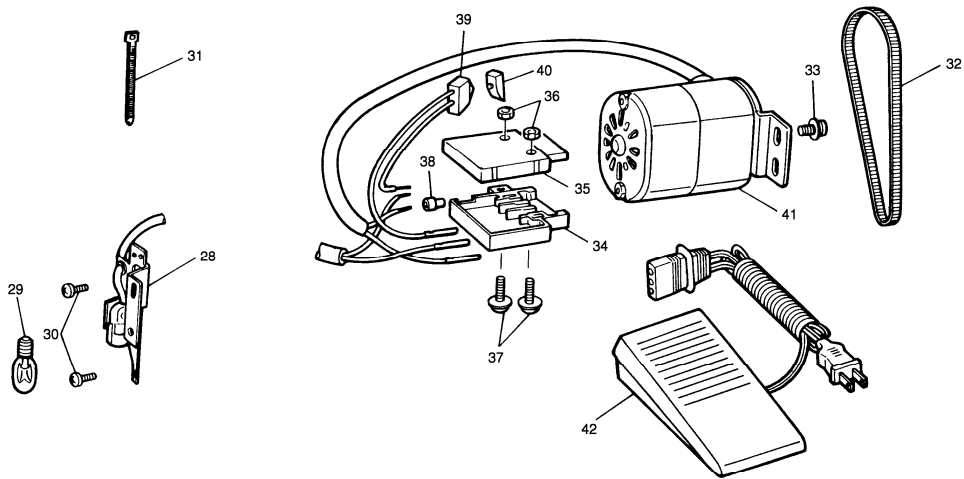
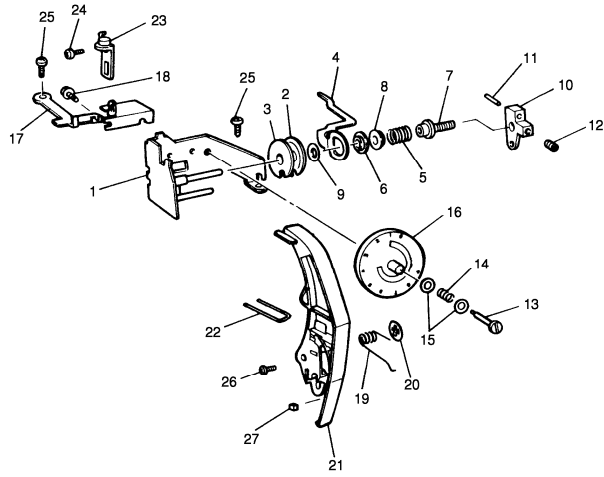
(4) PATTERN SELECTION MECHANISM

No.	CODE	PARTS NAME	REMARKS	No.	CODE	PARTS NAME	REMARKS
1	X59135151	ZIGZAG CONNECTING ROD ASSY		43	X56886051	SPRING	
2	X59387051	SPRING		44	X59616051	REVERSE SEWING LEVER B ASSEMBLY	
3	X50559050	ZIGZAG ADJUSTING NUT		45	048040346	RETAINING RING E4	
4	062301006	SCREW PAN M3X10		46	X59241051	RELEASE LEVER B	
5	048040346	RETAINING RING E4		47	X57908051	TAPTITE, BIND S M4X10	
6	X52005151	SPRING		48	X59612051	REVERSE SEWING LEVER A ASSEMBLY	
7	X59234151	PATTERN CAM ASSY		49	048030346	RETAINING RING E3	
8	X59788051	PATTERN CAM SHAFT		50	X59620051	SPRING	
9	128491051	WASHER, PLAIN		51	XA0060051	REVERSE SEWING LEVER SHAFT	
10	048050346	RETAINING RING E5		52	146200051	RETAINING RING, CS4	
11	X59743051	WASHER		53	X53330050	WASHER	
12	X59765051	WASHER, WAVE SPRING		54	X59615051	REVERSE SEWING BUTTON	
13	X59238051	FINGER SHAFT					
14	X59146051	Z FINGER FRAME ASSEMBLY					
15	125322051	SET SCREW (FT) SM3.57					
16	021670102	NUT 1 SM3.57-40					
17	X59148051	F FINGER FRAME ASSEMBLY					
18	120258051	SCREW					
19	021670102	NUT 1 SM3.57-40					
20	X59249051	BHB LEVER ASSEMBLY					
21	120258051	SCREW SM3.57					
22	021670102	NUT 1 SM3.57-40					
23	137191051	STOP RING					
24	X54564051	SPRING					
25	X59240051	RELEASE LEVER A					
26	120258051	SCREW SM3.57					
27	021670102	NUT 1 SM3.57-40					
28	X52063151	RELEASE LEVER SHAFT					
29	X59295051	SPRING					
30	048040346	RETAINING RING E4					
31	X59242051	SELECTING LEVER HOLDER ASSY					
32	X59244051	SELECTING CAM ASSEMBLY (15 PATTERN)					
33	X59154051	PATTERN SELECTING DIAL					
34	052401406	SCREW, PAN (S/P WASHER) M4X14					
35	X59155051	SELECTING GEAR					
36	048050346	RETAINING RING E5					
37	060400616	SCREW BIND M4X6					
38	X59621051	INDICATION GEAR					
39	014400632	SET SCREW SOCKET (CP) M4X6					
40	X56881051	UNIT BASE B ASSEMBLY					
41	X59609051	UNIT BASE F ASSEMBLY					
42	021400205	NUT 2 M4					



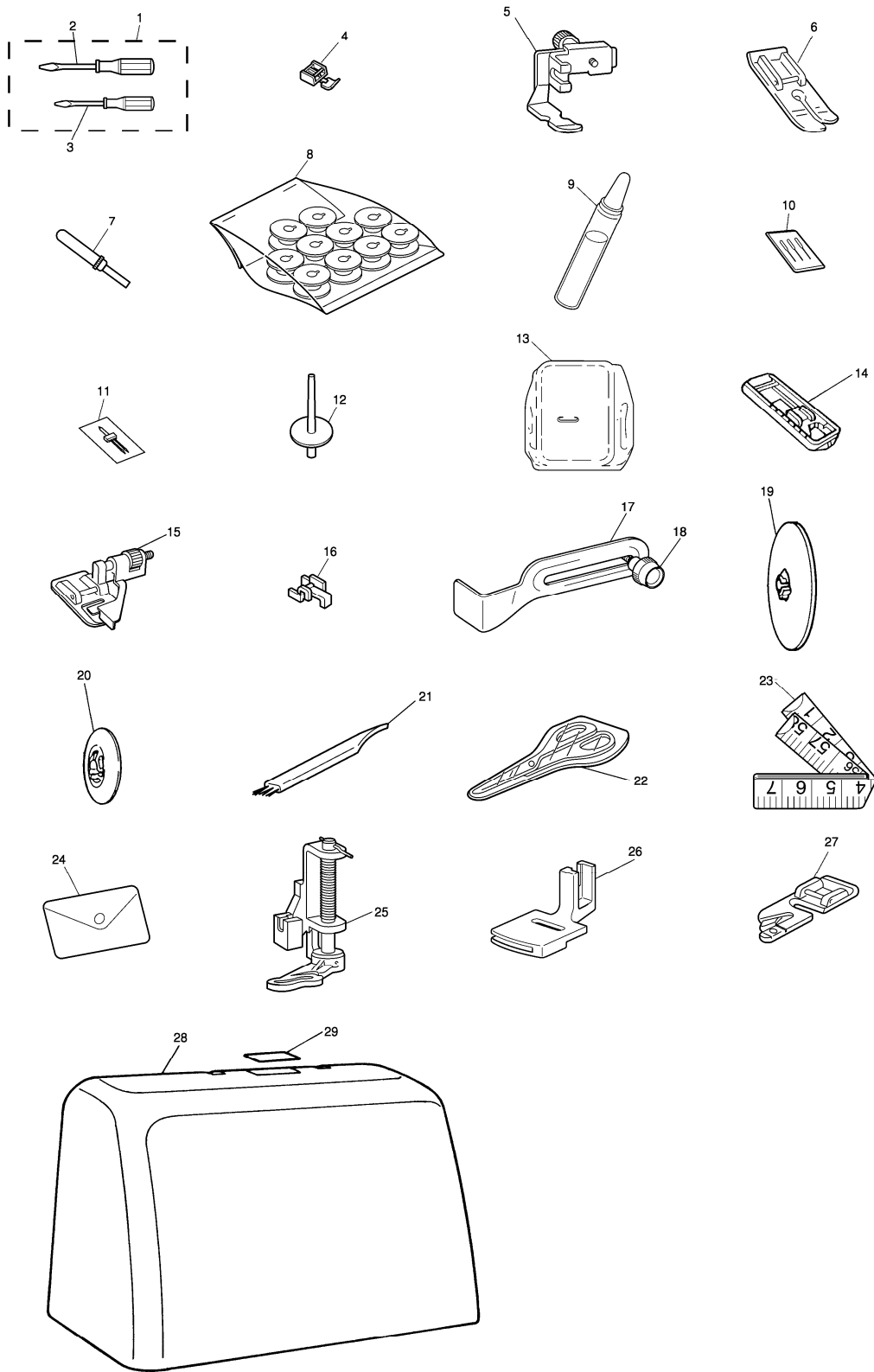
(5) LAMP, THREAD GUIDE AND MOTOR UNIT

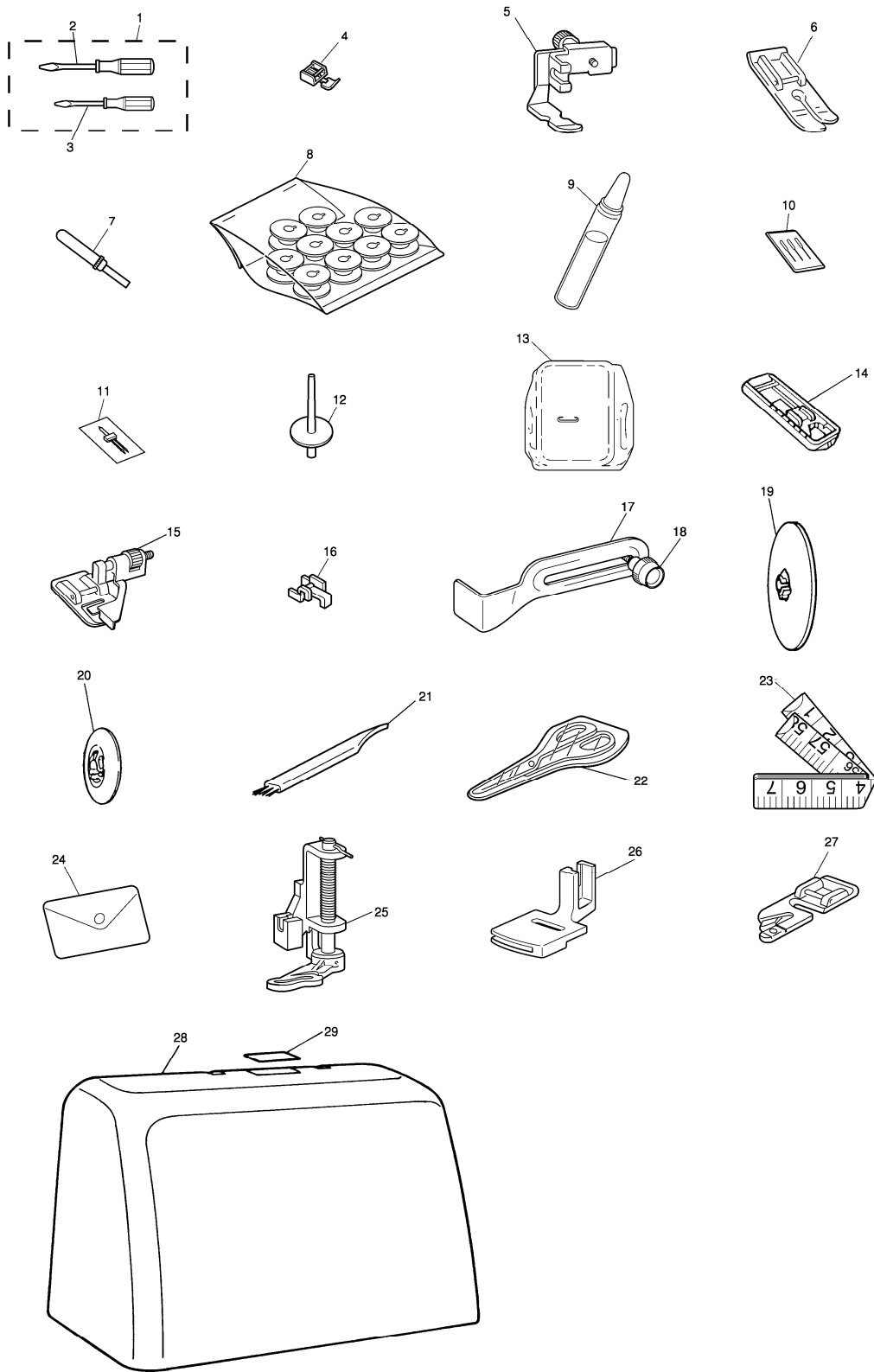
No.	CODE	PARTS NAME	REMARKS	No.	CODE	PARTS NAME	REMARKS
1	X59164051	THREAD GUARD ASSEMBLY		40	X57554051	POWER SWITCH KEY-TOP	
2	XA0084051	TENSION DISC B		41	X57041151	MOTOR: MM-BU1-4C (USA, MEX)	
3	XA0083051	TENSION DISC A			X55352151	MOTOR: MM-BC1-5 (CAN)	
4	X52122051	TENSION RELEASER PLATE B			XC1696051	MOTOR: MM-278-49 (ARG, ZAF, RUS, HKG, UAE)	
5	X55842051	SPRING			XC1688051	MOTOR: MM-271-72 (OTHER)	
6	137881051	TENSION DISC WASHER			J01719051	MOTOR: MM-901-82 (SAU)	
7	X50765251	THREAD TENSION CONTROL SCREW			XA1228051	MOTOR: MM-292-51 (SIN)	
8	X50702050	SPRING WASHER			XA1286051	MOTOR: MM-278-54 (KOR)	
9	025060132	WASHER PLAIN S 6		42	XC6659151	FOOT CONTROLLER: FC-317-21-LF (USA, CAN, MEX)	
10	X52643051	TENSION CONTROL NUT			XA6400151	FOOT CONTROLLER: FC-307-51 (OTHER)	
11	047260850	PIN SPRING ROLL AW2.5			XA6402151	FOOT CONTROLLER:FC-307-52 (IRE, UK, HKG)	
12	012400432	SET SCREW SOCKET (FT) M4X4			XA6434051	FOOT CONTROLLER: FC-307-81 (SAU)	
13	X52120051	TENSION DIAL SHAFT			XA6418151	FOOT CONTROLLER: FC-307-61 (GER)	
14	X59290051	SPRING			XA6416151	FOOT CONTROLLER: FC-307-60 (KOR)	
15	226392050	WASHER					
16	X59166051	TENSION DIAL					
17	X59167051	THREAD GUARD SUPPORTER PLATE					
18	060300416	SCREW BIND M3X4					
19	X59168151	THREAD TAKE-UP SPRING					
20	138384051	RETAINING RING, CS5					
21	X59624151	THREAD GUIDE COVER					
22	X59170050	THREAD GUARD WIRE					
23	X59226151	BOBBIN WINDER GUIDE ASSY	CHG				
24	XC4433051	SCREW, PAN (T WASHER) M3X6					
25	X57908051	TAPTITE, BIND S M4X10					
26	060400816	SCREW BIND M4X8					
27	X59786050	GUM					
28	XC0496051	ASSY: SEWING LAMP E12C#008 (110-120V)	CHG				
	X59291051	SEW-LIGHT ASSEMBLY (220-240V)					
29	X53061050	SEW-LIGHT BULB (110-120V)					
	205336050	SEW-LIGHT BULB L-4 (220-240V)					
30	X57908051	TAPTITE, BIND S M4X10					
31	X53169050	BAND					
32	130944051	BELT					
33	XA3004051	BOLT, (S/P WASHER) M5X12					
34	X59176151	3P SOCKET BODY					
35	X59177051	3P SOCKET COVER					
36	021400205	NUT 2 M4					
37	052403006	SCREW, PAN (S/P WASHER) M4X30					
38	214808050	CONNECTOR: #3	CHG				
39	X59178051	PW SWITCH ASSEMBLY (110-120V)					
	X59337051	PW SWITCH ASSEMBLY (220-240V)					



(6) ACCESSORY

No.	CODE	PARTS NAME	REMARKS	No.	CODE	PARTS NAME	REMARKS
ATTACHMENTS							
1	X55466051	SCREW DRIVER ASSY			194256014	INSTRUCTION BOOK (CH801)	
2	X55467051	SCREW DRIVER			194258016	INSTRUCTION BOOK (RUS)	
3	X55468051	SCREW DRIVER S			194256016	INSTRUCTION BOOK (HKG)	
4	X59370051	ZIPPER FOOT			XC0380051	WARRANTY CARD (USA, ARG)	
5	128585051	ZIPPER FOOT			UH385100	WARRANTY CARD EUR (IRE, GER, UK, BEL, NOR, SWE, SWI, DEN, AUT, HOR, XL-4010/4014: FRA)	
6	X59374051	STRAIGHT STITCH PRESSER FOOT (EXCEPT: XL-3010)			XC6402051	WARRANTY CARD UK (UK)	
7	X54243001	SEAM RIPPER (EXCEPT: XL-3010)			181401104	INSERTION WARRANTY COUPON (USA, ARG)	
8	X52800150	BOBBIN			181401172	INSERTION WARRANTY COUPON (CAN)	
9	X55465051	OILER (EXCEPT: XL-3010)			181401149	INSERTION WARRANTY COUPON (CAN)	
10	X57117051	NEEDLE SET (3 PCS) (OTHER)			181401165	INSERTION WARRANTY COUPON (CAN)	
	129583001	NEEDLE SET (3 PCS) (GER)			181401119	INSERTION WARRANTY COUPON (MEX)	
11	X57521001	NEEDLE PACKAGE (1 PCE) (OTHER)			181401191	INSERTION WARRANTY COUPON (MEX)	
	X58604001	NEEDLE PACKAGE (3 PCE) (KOR)			181401217	INSERTION WARRANTY COUPON (CH801)	
12	130920051	EXTRA SPOOL PIN	CHG		181401218	INSERTION WARRANTY COUPON (CH801)	
13	XA3442151	FEED DOG COVER			181401109	INSERTION WARRANTY COUPON (SIN)	
14	X59369351	BUTTON HOLE FOOT ASSY			130800051	BAG 230X310H (EXCEPT: FIN, KOR)	ADD
15	X59372051	BLIND STITCH FOOT (EXCEPT: XL-3010)			X53984057	DUST COVER ASSY (EXCEPT: XL-3010, BL130, PL120, STAR1000)	ADD
16	X59375151	BUTTON SEWING FOOT		PACKING MATERIALS			
17	128590051	CLOTH GUIDE (EXCEPT: XL-3010)			X60415054	COLOR CARTON (USA, ARG, MEX)	
18	128591051	THUMB SCREW (EXCEPT: XL-3010)			X60415066	COLOR CARTON (CAN)	
19	130012053	SPOOL PRESSER A			X60949051	CARTON (XL-4010: ZAF, IRE, GER, BEL, UK, FRA, NOR, SWE, FIN, SWI, DEN, HKG)	
20	130013153	SPOOL PRESSER B			X60949054	CARTON (XL-4014)	
21	X59476051	CLEANING BRUSH			X60949052	CARTON (XL-4011, XL-4011AV)	
22	XA5771051	SCISSORS (XL-4011AV, XL-4015AV)			X60949053	CARTON (XL-4013: UK, FIN)	
23	XA5772051	MEASURE (XL-4011AV, XL-4015AV)			X60949094	CARTON (XL-4015AV)	
24	XC4487051	ACCESSORY BAG			X60949099	CARTON (CH801)	
25	X81021001	QUILTING FOOT (WITH UPC)			X60949091	CARTON (XL-4012)	
	X81021002	QUILTING FOOT (WITHOUT UPC)			X60464033	CARTON (RUS)	
26	XA6123001	GATHERING FOOT (WITH UPC)			X61490052	CARTON (KOR)	
	XA6123002	GATHERING FOOT (WITHOUT UPC)			X60949078	CARTON (SIN)	
27	X59371051	NARROW HEMMER FOOT (SIN, SAU, UAE, KOR)			X60717073	CARTON (SIN)	
28	X52769652	CASE ASSEMBLY (SIN, KOR)	CHG		X60464023	CARTON (XL-4010: ISR, SAU, UAE)	
29	X52762051	MEDALLION (SIN, KOR)			X60464030	CARTON (XL-4013: ISR)	
	180083001	DARNING FOOT (SWI)			X60416050	STYROFOAM TOP (EXCEPT: BL130, PL120, STAR1000)	
PRINTED MATTER					X60417050	STYROFOAM BOTTOM (EXCEPT: BL130, PL120, STAR1000)	
	194256211	INSTRUCTION BOOK (USA, CAN, ARG, MEX, ZAF, IRE, UK, SIN, ISR, SAU,			X60712050	STYROFOAM (SIN, KOR)	
	194256012	INSTRUCTION BOOK (CAN, BEL, SWI, HOR, XL-4010/4014: FRA)					
	194256013	INSTRUCTION BOOK (GER, SWI, AUT)					





XL3010
XL4010/XL4010 AV
XL4011/XL 4011AV
XL4012
XL4013
XL4014
XL4015/XL4015 AV
CH801
ACE100
BL130
PL120
STAR1000