

PARTS CATALOGUE FOR

XL 3025

XL 4040

XL 4041/XL 4041AV

XL 4045

CONTENTS

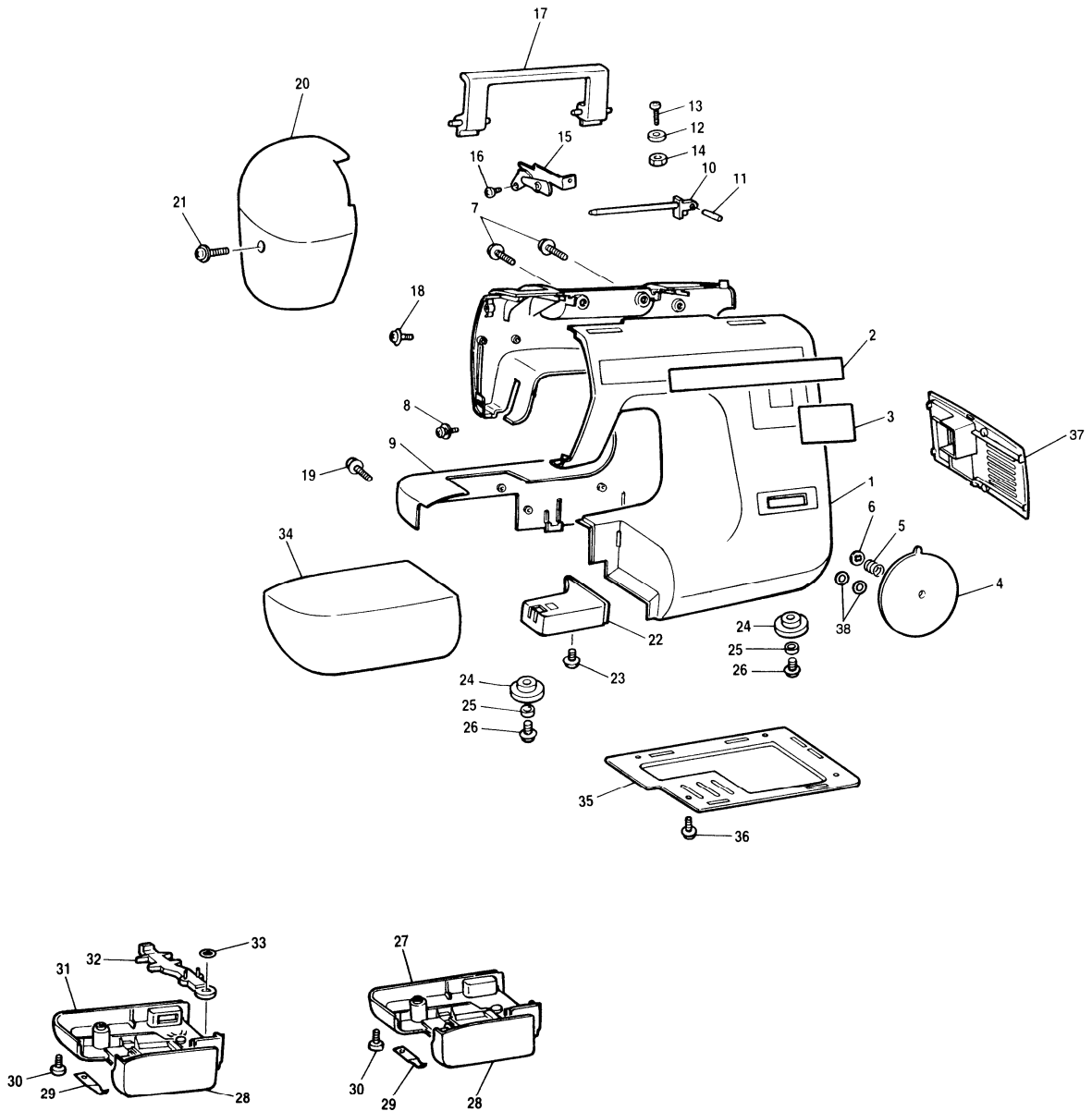
(1) PRINCIPAL PARTS.....	2
(2) UPPER SHAFT, NEEDLE BAR AND FEED MECHANISM	4
(3) SHUTTLE HOOK, BH AND FEED ADJUST MECHANISM	8
(4) PATTERN SELECTION MECHANISM.....	10
(5) LAMP, THREAD GUIDE AND MOTOR UNIT	12
(6) ACCESSORY	14

Note on parts:

We keep performance parts for this sewing machine for at least 8 years after this model is discontinued. Performance parts are the necessary parts to maintain the function of the sewing machine.

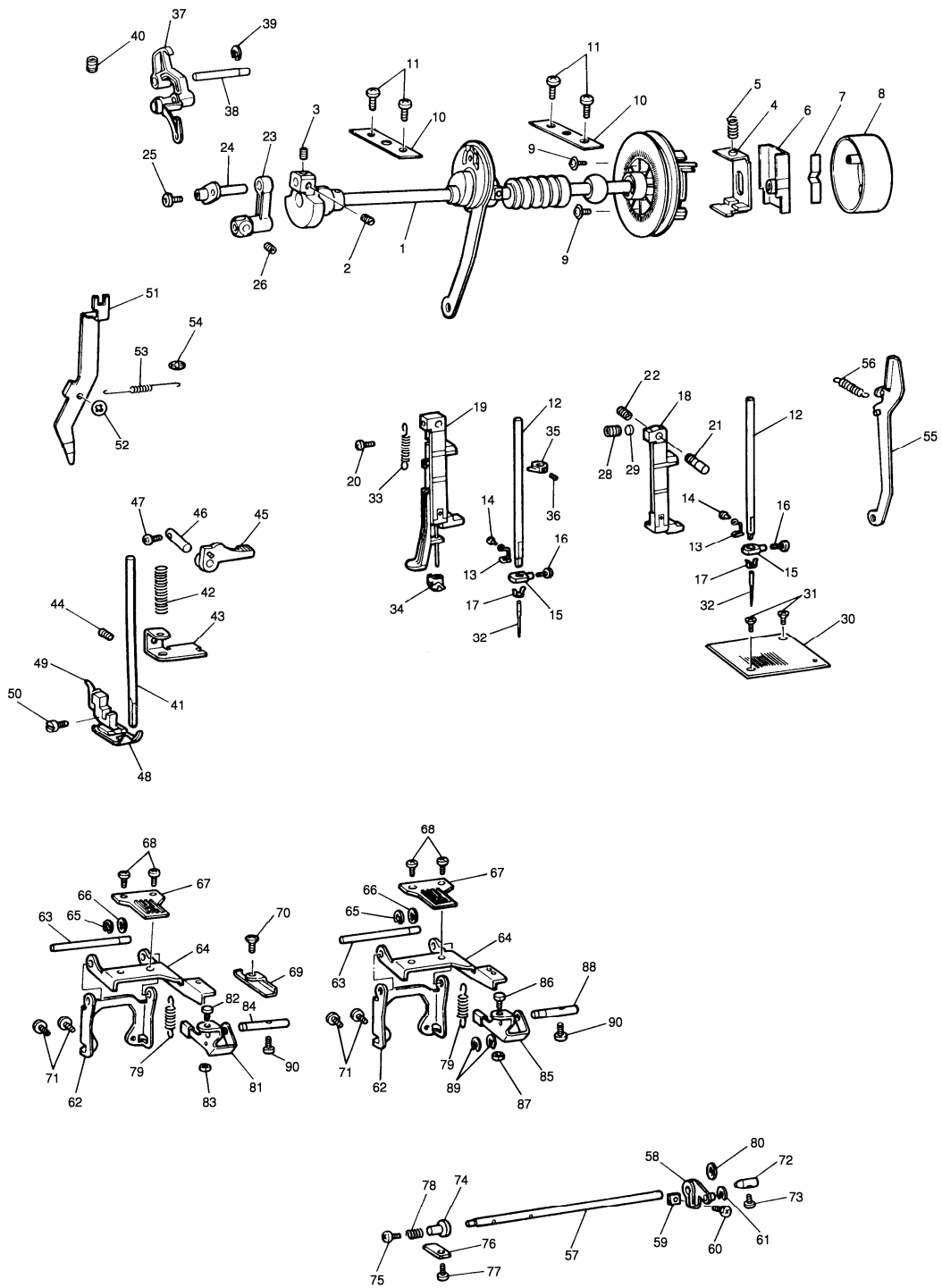
(1) PRINCIPAL PARTS

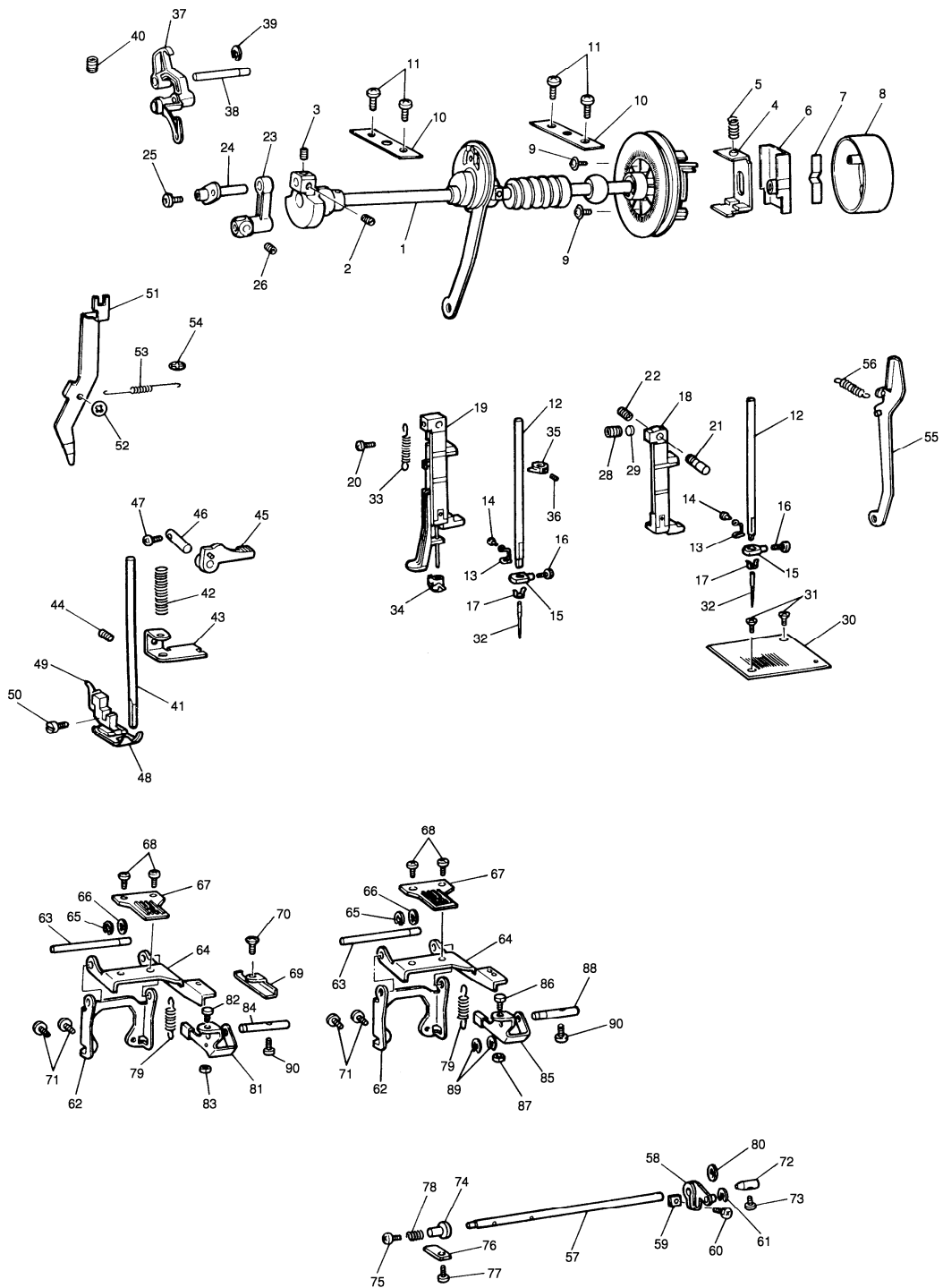
No.	PARTS No.	PARTS NAME	REMARKS	No.	PARTS No.	PARTS NAME	REMARKS
1	X59592151	FRONT COVER		32	X59348051	DROP LEVER	
2	X59593051	DECORATION PLATE A (XL3025)		33	138384051	STOP RING	
	X59593077	DECORATION PLATE A (XL4040, XL3025: ZAF)		34	X59602051	ACCESSORY TABLE	
	X59593078	DECORATION PLATE A (XL4041, XL4041AV)		35	X59108050	BASE PLATE (OTHER)	
	XA2335060	DECORATION PLATE A (XL4045)			X59465050	BASE PLATE (PAN, SIN)	
3	X59594051	DECORATION PLATE B (XL3025)		36	X57297051	SCREW	
	X59594067	DECORATION PLATE B (XL4040, XL3025: ZAF)		37	X59109051	SWITCH COVER A	
	X59594068	DECORATION PLATE B (XL4041, XL4041AV)		38	X57355050	SPACER	
	X59594088	DECORATION PLATE B (XL4045)					
4	X59595051	PATTERN INDICATOR PLATE					
5	X50223051	SPRING					
6	146200051	RETAINING RING, CS4					
7	XA3337052	TAPTITE, CUP P M4X20					
8	053400806	SCREW, PAN (T WASHER) M4X8					
9	X59052151	REAR COVER					
10	X59053051	SPOOL PIN					
11	XA4471051	PIN					
12	X59864151	BOBBIN PRESSER					
13	052301606	SCREW, PAN (S/P WASHER) M3X16					
14	021300106	NUT 1 M3					
15	X59055051	THREAD GUIDE ASSEMBLY					
16	138433051	TAPTITE, PAN B M3X6					
17	X59101151	CARRYING HANDLE					
18	053400806	SCREW, PAN (T WASHER) M4X8					
19	052401406	SCREW, PAN (S/P WASHER) M4X14					
20	X59598051	FACE PLATE (OTHER)					
	X59665051	FACE PLATE (U.S.A.)					
	X59670051	FACE PLATE (U.K.)					
21	052401406	SCREW, PAN (S/P WASHER) M4X14					
22	X59601051	FOOT COVER					
23	X57300051	SCREW					
24	X58361050	RUBBER CUSHION					
25	X56474051	SPACER					
26	X57297051	SCREW					
27	X59103051	BED COVER					
28	X59104051	HINGED DOOR					
29	X53638151	SPRING					
30	052401406	SCREW, PAN (S/P WASHER) M4X14					
31	X59106051	BED COVER					



(2) UPPER SHAFT, NEEDLE BAR AND FEED MECHANISM

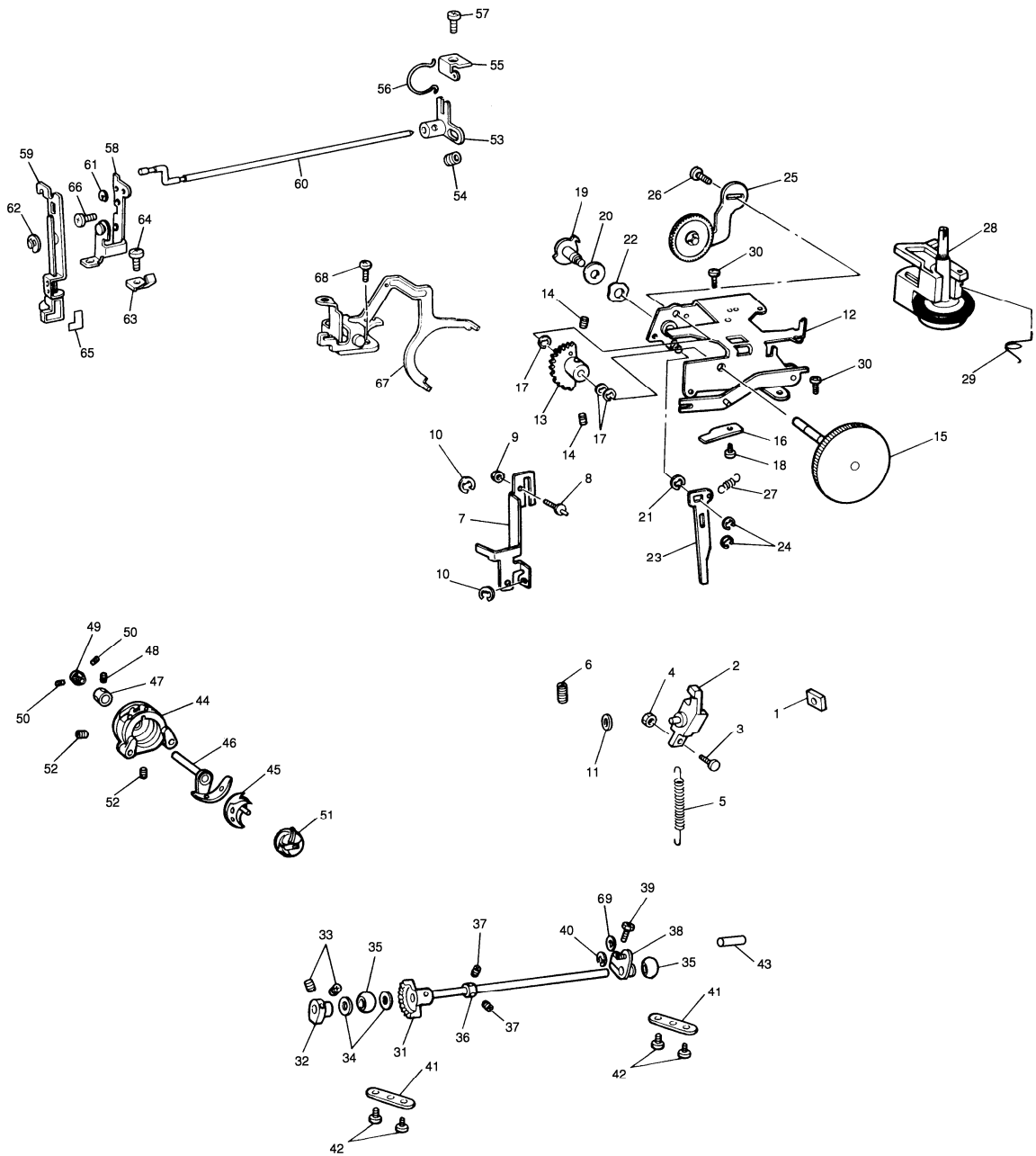
No.	PARTS No.	PARTS NAME	REMARKS	No.	PARTS No.	PARTS NAME	REMARKS
1	XA0297251	UPPER SHAFT ASSY		39	048040346	RETAINING RING E4	
2	X54013051	SET SCREW SM6.35		40	014400632	SET SCREW SOCKET (CP) M4X6	
3	123006051	SCREW		41	128437050	PRESSER BAR	
4	X59284050	CLUTCH RELEASE		42	X57914151	PRESSER BAR SPRING	
5	X59285051	SPRING		43	X57915051	PRESSER BAR BRACKET	
6	X59286051	CLUTCH RELEASE SWITCH		44	013061212	SET SCREW (CP) M6X12	
7	X59287051	SPRING	CHG	45	X51943151	PRESSER FOOT LIFTER	
8	X59289051	BALANCE WHEEL	CHG	46	X54552051	PRESSER FOOT LIFTER STUD	
9	136869051	SCREW		47	X57913051	TAPTITE, BIND S M4X16	
10	X57907051	BUSHING PRESSER		48	138135152	ZIGZAG PRESSER FOOT	
11	X57908051	TAPTITE, BIND S M4X10		49	138134051	PRESSER FOOT HOLDER	
12	136872151	NEEDLE BAR		50	132730151	TIGHTENING SCREW 3.57	
13	XA0974151	THREAD GUIDE, NEEDLE BAR		51	X52653151	TENSION RELEASE PLATE C	
14	X53053052	SCREW SM2.38		52	120454051	RETAINING RING, CS3	
15	129627051	NEEDLE CLAMP		53	X51946051	SPRING	
16	131226051	NEEDLE CLAMP SCREW, SM3.57		54	120454051	RETAINING RING, CS3	
17	125161180	NEEDLE GUIDE PLATE		55	X54375051	FEED CONNECTING ROD	
18	X54366150	NEEDLE BAR SUPPORTER (EXCEPT XL3025: U.S.A., MEX, PAN)		56	X54378051	SPRING	
19	X54713451	NEEDLE BAR SUPPORTER ASSEMBLY (XL3025: U.S.A., MEX, PAN)		57	X57917050	HORIZONTAL FEED SHAFT	
20	060300616	SCREW BIND M3X6		58	X54381051	HORIZONTAL FEED SHAFT ARM	
21	X54368051	NEEDLE BAR SUPPORTER STUD		59	X54384051	NUT	
22	X54369051	SPRING		60	060401416	SCREW BIND M4X14	
23	XA1289151	NEEDLE BAR CRANK ROD ASSY		61	048050346	RETAINING RING E5	
24	X59115151	NEEDLE BAR CRANK		62	X57919051	HORIZONTAL FEED PLATE	
25	132051052	SCREW, FLAT SM3.57-40X7 L		63	X57920051	FEED STAND SHAFT	
26	012400432	SET SCREW SOCKET (FT) M4X4		64	X59118051	FEED BAR	
27	100507050	METAL PLATE	DEL	65	048030346	RETAINING RING E3	
28	014400432	SET SCREW SOCKET (CP) M4X4		66	146200051	RETAINING RING, CS4	
29	138607050	WASHER, PLAIN		67	X54389051	FEED DOG	
30	X57911051	NEEDLE PLATE		68	060300416	SCREW BIND M3X4	
31	X50487051	SCREW M4		69	X59120051	FEED PLATE COVER	
32	100028014	SEWING NEEDLE		70	061300416	SCREW BIND M3X4	
	117914114	NEEDLE HAX130		71	060400816	SCREW BIND M4X8	
33	X50476051	SPRING (XL3025: U.S.A., MEX, PAN)		72	X54390051	TAPER POINT STUD R	
34	X54817152	HOOK ASSEMBLY (XL3025: U.S.A., MEX, PAN)		73	X57913051	TAPTITE, BIND S M4X16	
35	X52882150	THREAD POSITIONER (XL3025: U.S.A., MEX, PAN)		74	X54391150	TAPER POINT STUD L	
36	014400432	SET SCREW SOCKET (CP) M4X4 (XL3025: U.S.A., MEX, PAN)		75	062400416	SCREW, PAN M4X4	
37	X52651151	THREAD TAKE-UP ASSEMBLY		76	137734051	PRESSER PLATE A	
38	X59254051	THREAD TAKE-UP LEVER STUD		77	X57908051	TAPTITE, BIND S M4X10	
				78	X56613051	SPRING	
				79	X54393151	SPRING	
				80	X53330050	WASHER	
				81	X54395051	VERTICAL FEED PLATE	





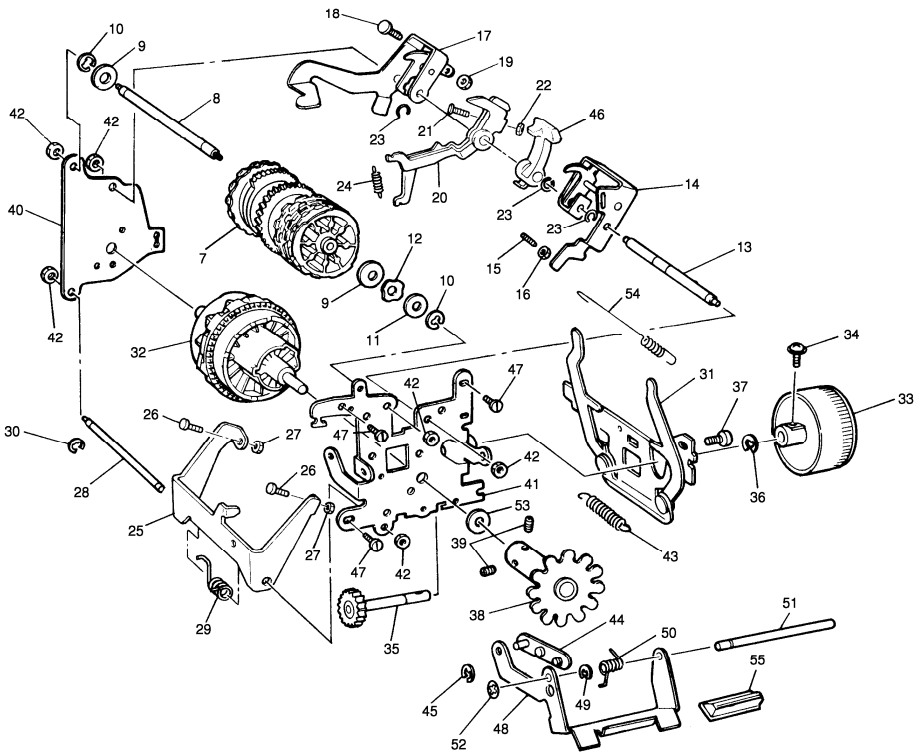
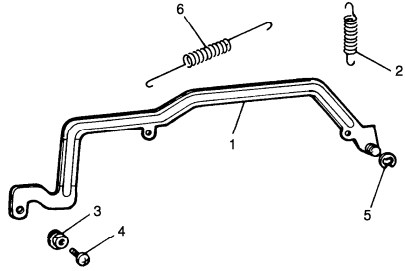
(3) SHUTTLE HOOK, BH AND FEED ADJUST MECHANISM

No.	PARTS No.	PARTS NAME	REMARKS	No.	PARTS No.	PARTS NAME	REMARKS
1	X55473051	FEED SQUARE BLOCK		44	X56767051	SHUTTLE RACE ASSEMBLY	
2	X59710051	FEED REGULATOR ASSEMBLY		45	128581053	SHUTTLE HOOK	
3	X59200051	SCREW		46	X54429051	SHUTTLE DRIVER ASSEMBLY	
4	X56960051	NUT 4		47	X54433051	COLLAR	
5	X59127051	SPRING		48	014400432	SET SCREW SOCKET (CP) M4X4	
6	014400632	SET SCREW SOCKET (CP) M4X6		49	X54514050	SHUTTLE DRIVER SHAFT GEAR	
7	X59604051	REVERSE SEWING LEVER	CHG	50	151602051	SET SCREW, SM4.37	
8	X59223051	SCREW		51	128582053	BOBBIN CASE ASSEMBLY	
9	X56960051	NUT 4		52	014500532	SET SCREW SOCKET (CP) M5X5	
10	048040346	RETAINING RING E4		53	136994351	BH CHANGE ARM	
11	X53330050	WASHER		54	014400432	SET SCREW SOCKET (CP) M4X4	
12	X59130051	FEED BRACKET PLATE ASSEMBLY		55	136996151	BH NOTCHED SPRING PLATE	
13	X51965151	FEED DIAL GEAR A ASSY	CHG	56	XZ0011051	BH NOTCH SPRING	
14	014400432	SET SCREW SOCKET (CP) M4X4		57	060400816	SCREW BIND M4X8	
15	X59184151	FEED DIAL	CHG	58	X54458151	BH STOPPER PLATE ASSEMBLY	
16	X54979051	SPRING		59	X57236051	BH LEVER ASSEMBLY	
17	048040346	RETAINING RING E4		60	X54464151	BH CHANGE SHAFT	
18	060400416	SCREW, BIND M4X4		61	048025346	RETAINING RING E2.5	
19	X57803051	BH ADJUSTING ECCENTRIC STUD		62	048050346	RETAINING RING E5	
20	128491051	WASHER, PLAIN		63	X54461151	BH SPRING	
21	048050346	RETAINING RING E5		64	060400616	SCREW BIND M4X6	
22	X57150051	WASHER		65	131428051	BH LEVER PLATE	
23	X57422051	BH ADJUSTING LEVER		66	X57908051	TAPTITE, BIND S M4X10	
24	048030346	RETAINING RING E3		67	X59138051	BH STOPPER ASSEMBLY	
25	X59198051	FEED GEAR B ASSEMBLY		68	X57908051	TAPTITE, BIND S M4X10	
26	060401416	SCREW BIND M4X14		69	X53330050	WASHER	
27	X51978051	SPRING					
28	X59189051	BOBBIN WINDER ASSEMBLY					
29	X52102051	SPRING					
30	X57908051	TAPTITE, BIND S M4X10					
31	X58483051	LOWER SHAFT ASSEMBLY					
32	X54424050	VERTICAL FEED CAM					
33	014400432	SET SCREW SOCKET (CP) M4X4					
34	X51383050	WASHER, THRUST					
35	X52664050	LOWER SHAFT BUSHING					
36	137768151	SET SCREW COLLAR					
37	014400432	SET SCREW SOCKET (CP) M4X4					
38	XA1319051	LOWER SHAFT CRANK ASSEMBLY					
39	X59255051	BOLT M4X14					
40	048050346	RETAINING RING E5					
41	X57943051	BUSHING PRESSER					
42	060401016	SCREW BIND M4X10					
43	XA0532051	SHAFT					



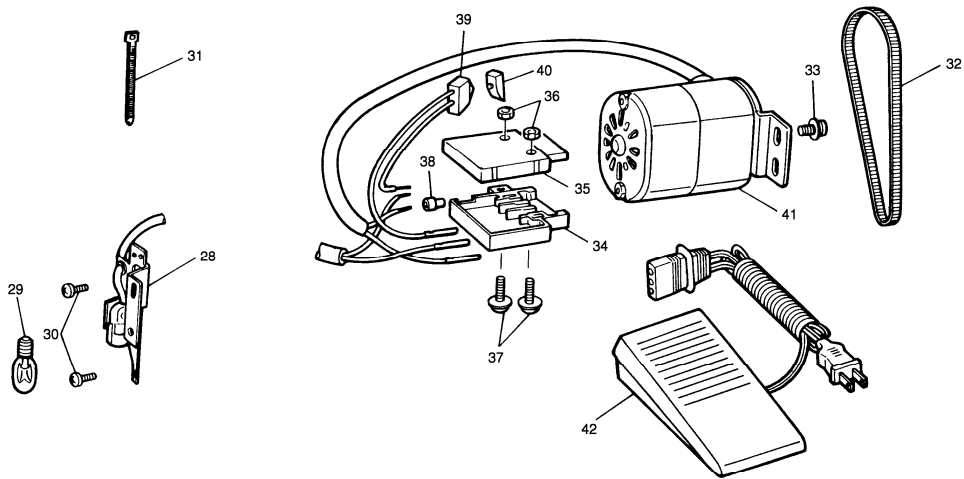
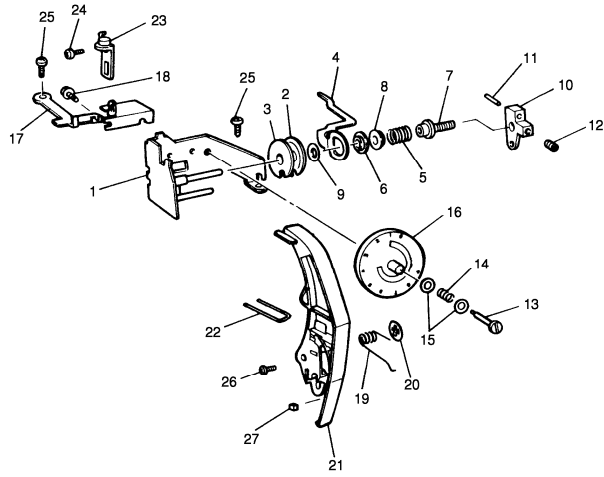
(4) PATTERN SELECTION MECHANISM

No.	PARTS No.	PARTS NAME	REMARKS	No.	PARTS No.	PARTS NAME	REMARKS
1	X59135151	ZIGZAG CONNECTING ROD ASSY		43	X56886051	SPRING	
2	X59387051	SPRING		44	X59616051	REVERSE SEWING LEVER B ASSEMBLY	
3	X50559050	ZIGZAG ADJUSTING NUT		45	048040346	RETAINING RING E4	
4	062301006	SCREW PAN M3X10		46	X56868051	BHZ FINGER	
5	048040346	RETAINING RING E4		47	X57908051	TAPTITE, BIND S M4X10	
6	X52005151	SPRING		48	X59612051	REVERSE SEWING LEVER A ASSEMBLY	
7	X59143051	PATTERN CAM ASSEMBLY		49	048030346	RETAINING RING E3	
8	X59788051	PATTERN CAM SHAFT		50	X59620051	SPRING	
9	128491051	WASHER, PLAIN		51	XA0060051	REVERSE SEWING LEVER SHAFT	
10	048050346	RETAINING RING E5		52	146200051	RETAINING RING, CS4	
11	X59743051	WASHER		53	X53330050	WASHER	
12	X59765051	WASHER, WAVE SPRING		54	X56887051	SPRING	
13	X56863051	FINGER SHAFT		55	X59615051	REVERSE SEWING BUTTON	
14	X59146051	Z FINGER FRAME ASSEMBLY					
15	125322051	SET SCREW (FT) SM3.57					
16	021670102	NUT 1 SM3.57-40					
17	X59148051	F FINGER FRAME ASSEMBLY					
18	120258051	SCREW SM3.57					
19	021670102	NUT 1 SM3.57-40					
20	X52053051	BHF FINGER ASSEMBLY					
21	120258051	SCREW SM3.57					
22	021670102	NUT 1 SM3.57-40					
23	137191051	STOP RING					
24	X52058051	SPRING					
25	X54991151	RELEASE LEVER					
26	120258051	SCREW SM3.57					
27	021670102	NUT 1 SM3.57-40					
28	X52063151	RELEASE LEVER SHAFT					
29	X52064051	SPRING					
30	048040346	RETAINING RING E4					
31	X57485051	SELECTING LEVER HOLDER ASSY					
32	X59152051	SELECTING CAM ASSEMBLY (21 PATTERN)					
33	X59154051	PATTERN SELECTING DIAL					
34	052401406	SCREW, PAN (S/P WASHER) M4X14					
35	X59155051	SELECTING GEAR					
36	048050346	RETAINING RING E5					
37	X57908051	TAPTITE, BIND S M4X10					
38	X59621051	INDICATION GEAR					
39	014400632	SET SCREW SOCKET (CP) M4X6					
40	X56881051	UNIT BASE B ASSEMBLY					
41	X59609051	UNIT BASE F ASSEMBLY					
42	021400205	NUT 2 M4					



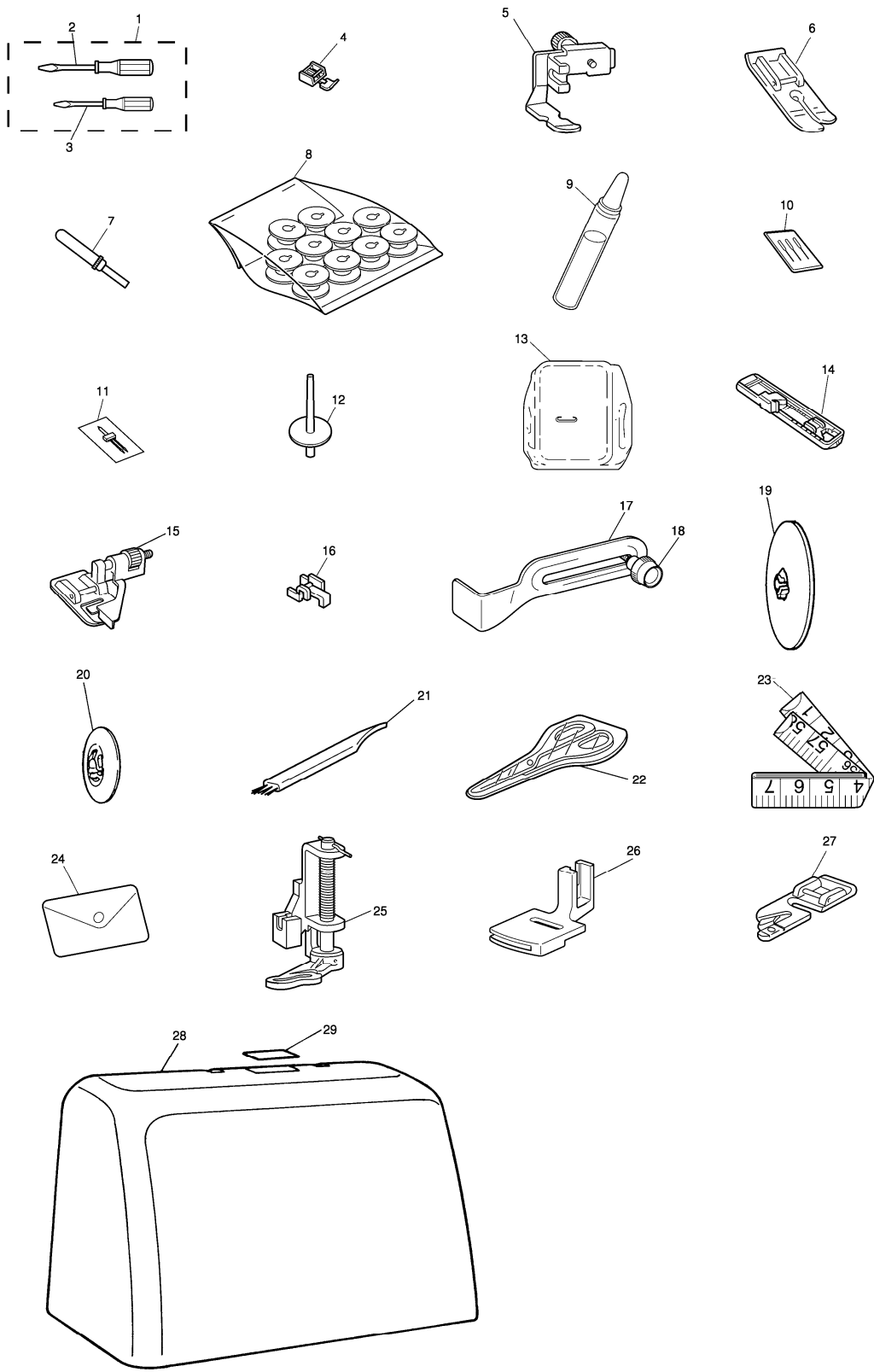
(5) LAMP, THREAD GUIDE AND MOTOR UNIT

No.	PARTS No.	PARTS NAME	REMARKS	No.	PARTS No.	PARTS NAME	REMARKS
1	X59164051	THREAD GUARD ASSEMBLY		40	X57554051	PW SWITCH KEY-TOP	
2	XA0084051	TENSION DISC B		41	X57041151	MOTOR: MM-BU1-4C (U.S.A.)	
3	XA0083051	TENSION DISC A			XC1688051	MOTOR: MM-271-72 (EXCEPT XL3025, XL4040: RUS, HKG, SIN, NZL)	
4	X52122051	TENSION RELEASER PLATE B			XC1691051	MOTOR: MM-271-96 (NZL)	CHG
5	X55842051	SPRING			XC1696051	MOTOR: MM-278-49 (ZAF, RUS, HKG)	
6	137881051	TENSION DISC WASHER			XA1228051	MOTOR: MM-292-51 (SIN)	
7	X50765251	THREAD TENSION CONTROL SCREW			J01694051	MOTOR: MM-901-81 (PAN)	
8	X50702050	SPRING WASHER		42	XA6400051	FOOT CONTROLLER: FC-307-51 (EXCEPT U.S.A., MEX, PAN, IRE, U.K., MAR, HKG, NZL)	
9	025060132	WASHER PLAIN S 6			XA6402151	FOOT CONTROLLER: FC-307-52 (U.K., IRE, MAR, HKG)	
10	X52643051	TENSION CONTROL NUT			XA6404151	FOOT CONTROLLER: FC-307-53 (NZL)	
11	047260850	PIN SPRING ROLL AW2.5			XA6434051	FOOT CONTROLLER: FC-307-81 (PAN)	
12	012400432	SET SCREW SOCKET (FT) M4X4			XC6659151	FOOT CONTROLLER: FC-317-21-LF (U.S.A., MEX)	
13	X52120051	TENSION DIAL SHAFT					
14	X59290051	SPRING					
15	226392050	WASHER					
16	X59166051	TENSION DIAL					
17	X59167051	THREAD GUARD SUPPORTER PLATE					
18	060300416	SCREW BIND M3X4					
19	X59168151	THREAD TAKE-UP SPRING					
20	138384051	RETAINING RING,CS5					
21	X59624151	THREAD GUIDE COVER					
22	X59170050	THREAD GUARD WIRE					
23	X59226151	BOBBIN WINDER GUIDE ASSY	CHG				
24	XC4433051	SCREW, PAN (T WASHER) M3X6					
25	X57908051	TAPTITE, BIND S M4X10					
26	060400816	SCREW BIND M4X8					
27	X59786050	GUM					
28	XC0496051	ASSY: SEWING LAMP E12C#008 (110-120V)	CHG				
	X59291051	SEW-LIGHT ASSEMBLY (220-240V)					
29	X53061050	SEW-LIGHT BULB (110-120V)					
	205336050	SEW-LIGHT BULB L-4 (220-240V)					
30	X57908051	TAPTITE, BIND S M4X10					
31	X53169050	BAND					
32	130944051	BELT					
33	XA3004051	BOLT, (S/P WASHER) M5X12					
34	X59176151	3P SOCKET BODY					
35	X59177051	3P SOCKET COVER					
36	021400205	NUT 2 M4					
37	052403006	SCREW, PAN (S/P WASHER) M4X30					
38	214808050	CONNECTOR: #3	CHG				
39	X59178051	PW SWITCH ASSEMBLY (110-120V)					
	X59337051	PW SWITCH ASSEMBLY (220-240V)					



(6) ACCESSORY

No.	PARTS No.	PARTS NAME	REMARKS	No.	PARTS No.	PARTS NAME	REMARKS
ATTACHMENTS				PRINTED MATTER			
1	X55466051	SCREW DRIVER ASSY		194252012	INSTRUCTION BOOK (FRA, BEL, SWI)		
2	X55467051	SCREW DRIVER		194252113	INSTRUCTION BOOK (SWI, AUT)		
3	X55468051	SCREW DRIVER S		194252211	INSTRUCTION BOOK (EXCEPT FIN, FRA, BEL, SWI, RUS, AUT)		
4	X59370051	ZIPPER FOOT		194256016	INSTRUCTION BOOK (HKG)		
5	128585051	ZIPPER FOOT		194258016	INSTRUCTION BOOK (RUS)		
6	X59374051	STRAIGHT STITCH PRESSER FOOT (EXCEPT U.S.A., MEX, PAN)		XC0380051	WARRANTY CARD (U.S.A.)		
	XA6124002	STRAIGHT FOOT (WITHOUT UPC)		XC4601051	WARRANTY CARD (ZAF)		
7	X54243001	SEAM RIPPER (EXCEPT U.S.A., MEX, PAN)		UH385100	WARRANTY CARD EUR (FRA, IRE, BEL, U.K., SWI, AUT)		
				XC6402051	WARRANTY CARD UK (U.K.)		
8	X52800150	BOBBIN		181401104	INSERTION WARRANTY COUPON (U.S.A., PAN)		
	XA5537052	BOBBIN (WITHOUT UPC)		181401109	INSERTION WARRANTY COUPON (SIN)		
9	X55465051	OILER (EXCEPT U.S.A., MEX, PAN)		181401119	INSERTION WARRANTY COUPON (MEX)		
10	X57117051	NEEDLE SET (3 PCS.)		181401127	INSERTION WARRANTY COUPON (ZAF)		
11	X57521001	NEEDLE PACKAGE (1 PCE)		130800051	BAG 230X310H (EXCEPT FIN)		ADD
12	130920051	EXTRA SPOOL PIN		X53984057	DUST COVER ASSY (EXCEPT U.S.A., MEX, PAN)		ADD
13	XA3442151	FEED DOG COVER		PACKING MATERIALS			
14	XA4911151	BH PRESSER FOOT ASSY		X60415056	COLOR CARTON (U.S.A., MEX, PAN)		
15	X59372051	BLIND STITCH FOOT (EXCEPT U.S.A., MEX, PAN)		X60464031	CARTON (RUS, ISR)		
	XA7000002	BLIND STITCH FOOT (WITHOUT UPC)		X60949060	CARTON (ZAF, XL4040)		
16	X59375151	BUTTON SEWING FOOT		X60949061	CARTON (XL4041, XL4041AV)		
17	128590051	CLOTH GUIDE (EXCEPT U.S.A., MEX, PAN)		X60949083	CARTON (SIN)		
				X60949093	CARTON (XL4045)		
18	128591051	THUMB SCREW (EXCEPT U.S.A., MEX, PAN)		X60416050	STYROFOAM TOP		
19	130012053	SPOOL PRESSER A		X60417050	STYROFOAM BOTTOM		
20	130013153	SPOOL PRESSER B		X60439151	BAG, 630X630T		CHG
21	X59476051	CLEANING BRUSH					
22	XA5771051	SCISSORS (XL4041AV, XL4045)		X60726050	FOOT CONTROLLER BOX		
23	XA5772051	MEASURE (XL4041AV, XL4045)		X60352050	ACCESSORY TABLE PRESSER D		
24	XC4487051	ACCESSORY BAG		264030051	BAG 165X250		
25	180083001	DARNING FOOT (SWI, XL4041AV, XL4045)		160670051	BAG 150X350		
	X81021002	QUILTING FOOT (WITHOUT UPC)					
26	XA4827001	GATHERING FOOT (XL4041AV, XL4045)					
	XA6123002	GATHERING FOOT (WITHOUT UPC)					
27	X59371051	NARROW HEMMER FOOT (SIN)					
	X81014002	NARROW HEMMER FOOT (WITHOUT UPC)					
28	X52769652	MACHINE COVER	CHG				
29	X52762051	MEDALLION					



XL3025
XL4040
XL4041/XL4041 AV
XL4045
T4040003
Printed in xxxxx