



Home Sewing Machine

PARTS REFERENCE LIST

**MODEL: XL6040/XL6041/XL6042/XL6043
XL6050/XL6051/XL6052/XL6053
XL6053NTP
XL6060/XL6061/XL6062/XL6062NTP
XL6063/XL6063NTP
XL6452/XL6562
XR52C/XR65T**

MECHANISMS & ELECTRONICS

CONTENTS

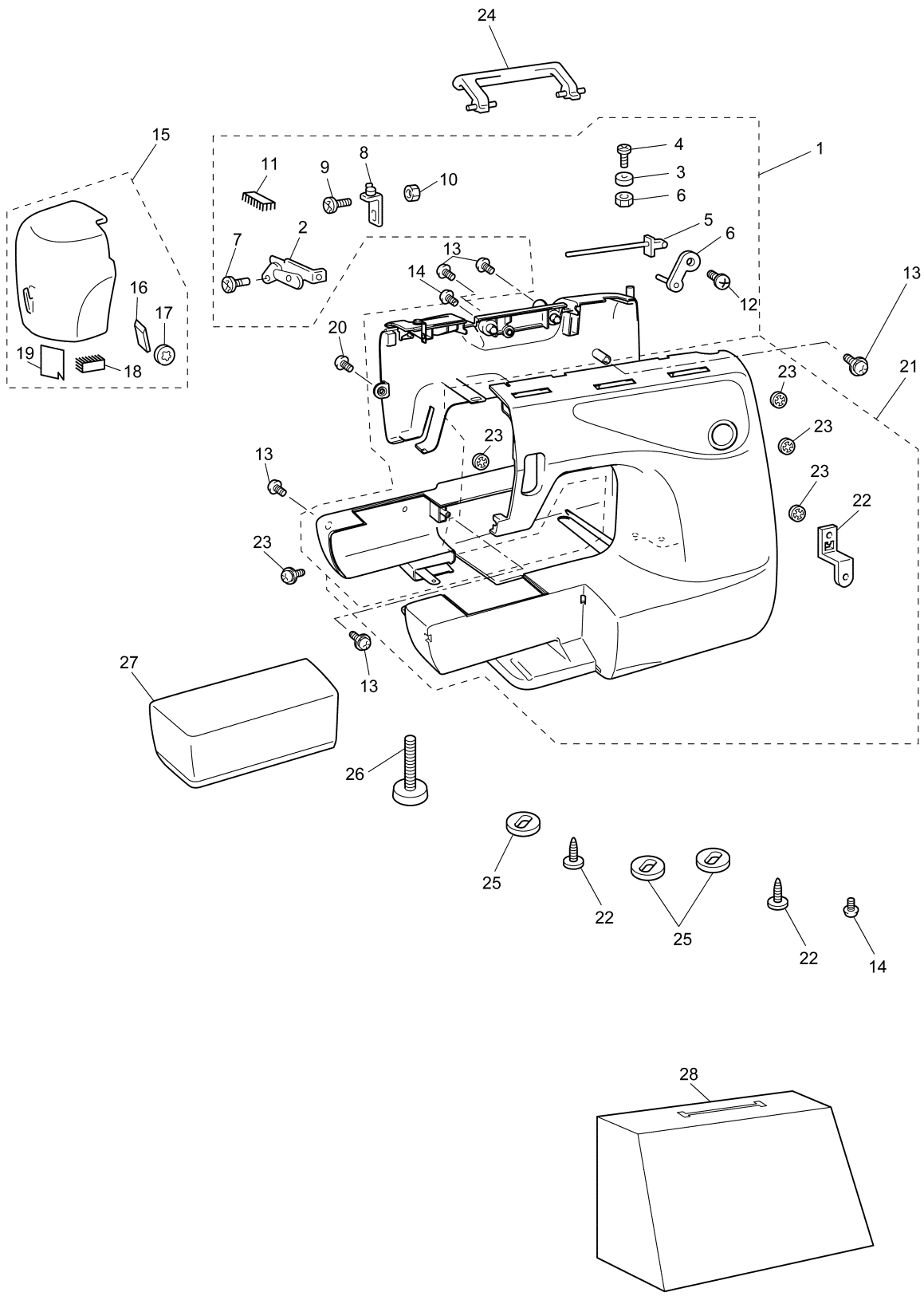
| | |
|---|----|
| (1) PRINCIPAL PARTS | 2 |
| (2) UPPER SHAFT AND NEEDLE BAR | 4 |
| (3) FEED MECHANISM AND SHUTTLE HOOK..... | 8 |
| (4) ZIGZAG, BH MECHANISM AND PATTERN SELECTION..... | 10 |
| (5) THREAD GUARD MECHANISM, LAMP MECHANISM | 12 |
| (6) MOTOR UNIT..... | 14 |
| (7) ATTACHEMENTS..... | 16 |

Note on parts:

We keep performance parts for this sewing machine for at least 8 years after this model is discontinued. Performance parts are the necessary parts to maintain the function of the sewing machine.

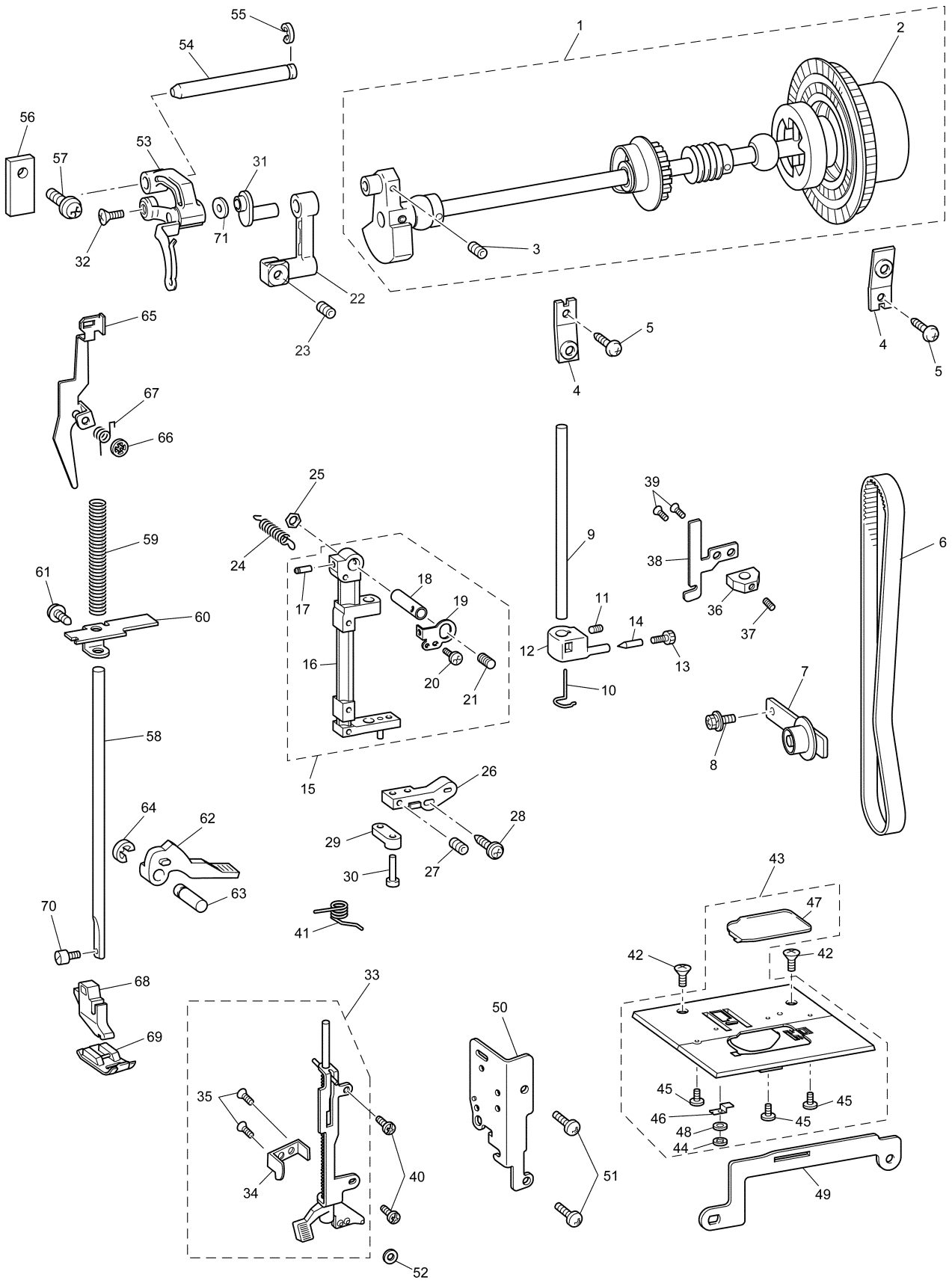
(1) PRINCIPAL PARTS

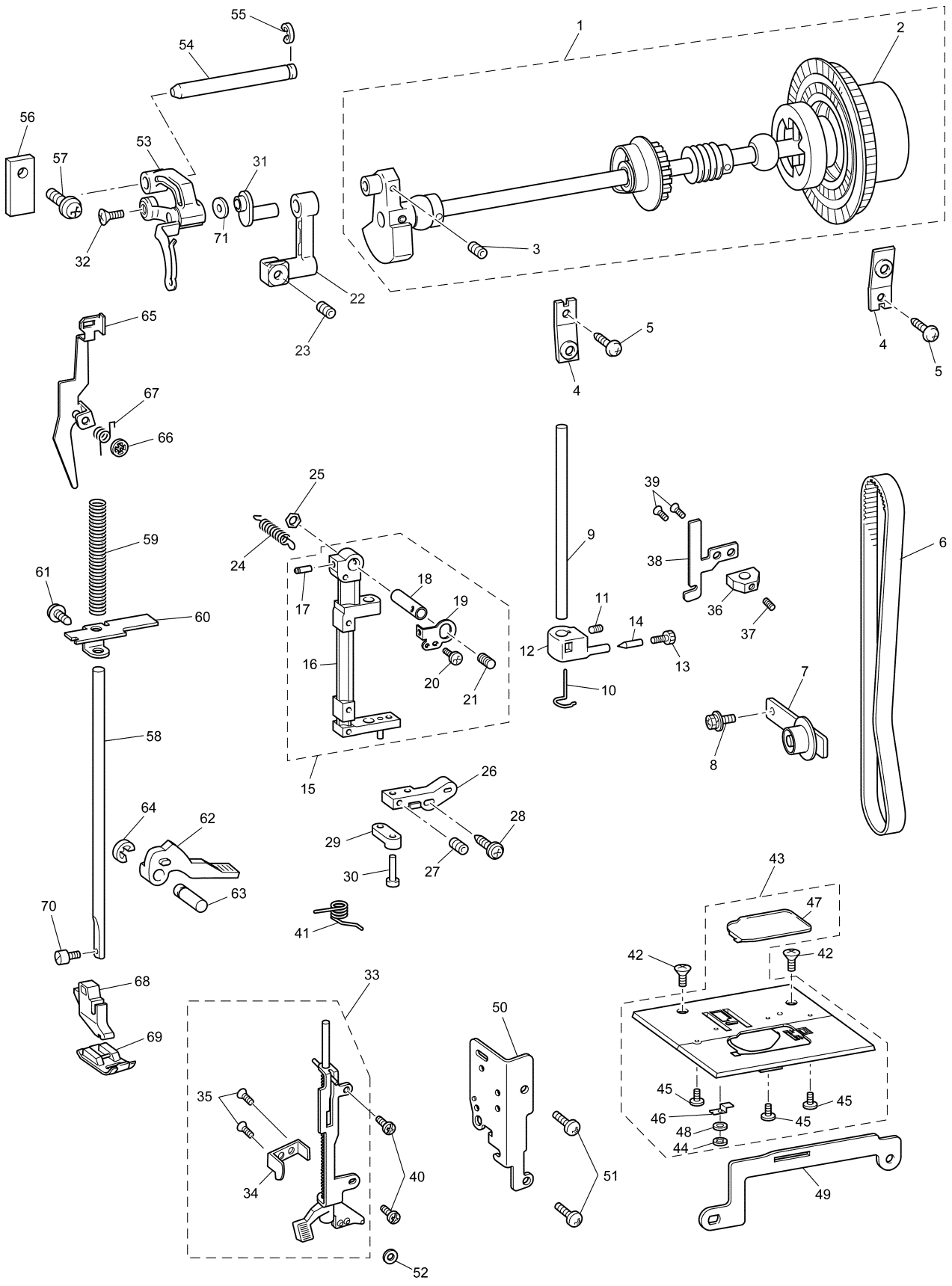
| No. | CODE | NAME | REMARKS | No. | CODE | NAME | REMARKS |
|-----|-----------|--|------------|-----|-----------|---|------------|
| 1 | XC0844021 | REAR COVER ASSEMBLY | | 24 | X59101122 | CARRYING HANDLE | |
| 2 | X59862051 | THREAD GUIDE ASSY | | 25 | XA7930021 | BASE FOOT RUBBER | |
| 3 | XC0751121 | BOBBIN PRESSER | | 26 | XA8611021 | ADJUST SCREW ASSEMBLY | |
| 4 | 0A4302006 | SCREW PAN (S/P WASHER) M3X20 | | 27 | XC0651121 | ACCESSORY TABLE ASSEMBLY | |
| 5 | X59053022 | SPOOL PIN | | 28 | X52769756 | CASE ASSEMBLY (XL6040:KOR, XL6050:KOR, XL6060:KOR, XR52C) | 1000004089 |
| 6 | XA7273021 | SPOOL PIN HOLDER ASSEMBLY | | | | | |
| 7 | 138433021 | TAPTITE, PAN B M3X6 | | | | | |
| 8 | X59226121 | BOBBIN WINDER GUIDE ASSY | | | | | |
| 9 | X59642021 | SCREW | | | | | |
| 10 | 021300106 | NUT 1 M3 | | | | | |
| 11 | X52654001 | PILE 19X5X6 | 1000014431 | | | | |
| 12 | 136681021 | TAPTITE, BIND B M3X8 | | | | | |
| 13 | XA3337022 | TAPTITE CUP P M4X20 | | | | | |
| 14 | 060401216 | SCREW, BIND M4X12 | | | | | |
| 15 | XC0767021 | FACE PLATE ASSY | | | | | |
| 16 | X80321021 | NT LOWER THREAD CUTTER | | | | | |
| 17 | 138384051 | RETAINING RING, CS5 | | | | | |
| 18 | XA6661021 | PILE | | | | | |
| 19 | XA4468021 | REAR COVER REFLECTOR | 060040 | | | | |
| 20 | XC7568051 | SCREW, PAN (S/P WASHER) M4X14 | 1000000866 | | | | |
| 21 | XC0770023 | FRONT COVER ASSEMBLY (XL6042) | | | | | |
| | XC0770024 | FRONT COVER ASSEMBLY (XL6043) | | | | | |
| | XC0770022 | FRONT COVER ASSEMBLY (XL6041) | | | | | |
| | XC0770021 | FRONT COVER ASSEMBLY (XL6040) | | | | | |
| | XC0769027 | FRONT COVER ASSEMBLY (XL6052) | | | | | |
| | XC0769026 | FRONT COVER ASSEMBLY (XL6051) | | | | | |
| | XC0769022 | FRONT COVER ASSEMBLY (XL6050) | | | | | |
| | XC0769028 | FRONT COVER ASSEMBLY (XL6053, XL6053NTP) | | | | | |
| | XC0769023 | FRONT COVER ASSEMBLY (XL6061) | | | | | |
| | XC0769024 | FRONT COVER ASSEMBLY (XL6062, XL6062NTP) | | | | | |
| | XC0769021 | FRONT COVER ASSEMBLY (XL6060, XL6063:SIN) | | | | | |
| | XC0769025 | FRONT COVER ASSEMBLY (XL6063:FRA, XL6063NTP, XL6060:SIN) | | | | | |
| | XC0763022 | FRONT COVER ASSEMBLY (XL6452) | | | | | |
| | XC0763024 | FRONT COVER ASSEMBLY (XR52C) | | | | | |
| | XC0763025 | FRONT COVER ASSEMBLY (XR65T) | | | | | |
| | XC0763021 | FRONT COVER ASSEMBLY (XL6562) | | | | | |
| 22 | 085411015 | TAPTITE BIND B M4X10 | | | | | |
| 23 | 053400806 | SCREW, PAN (T WASHER) M4X8 | | | | | |



(2) UPPER SHAFT AND NEEDLE BAR

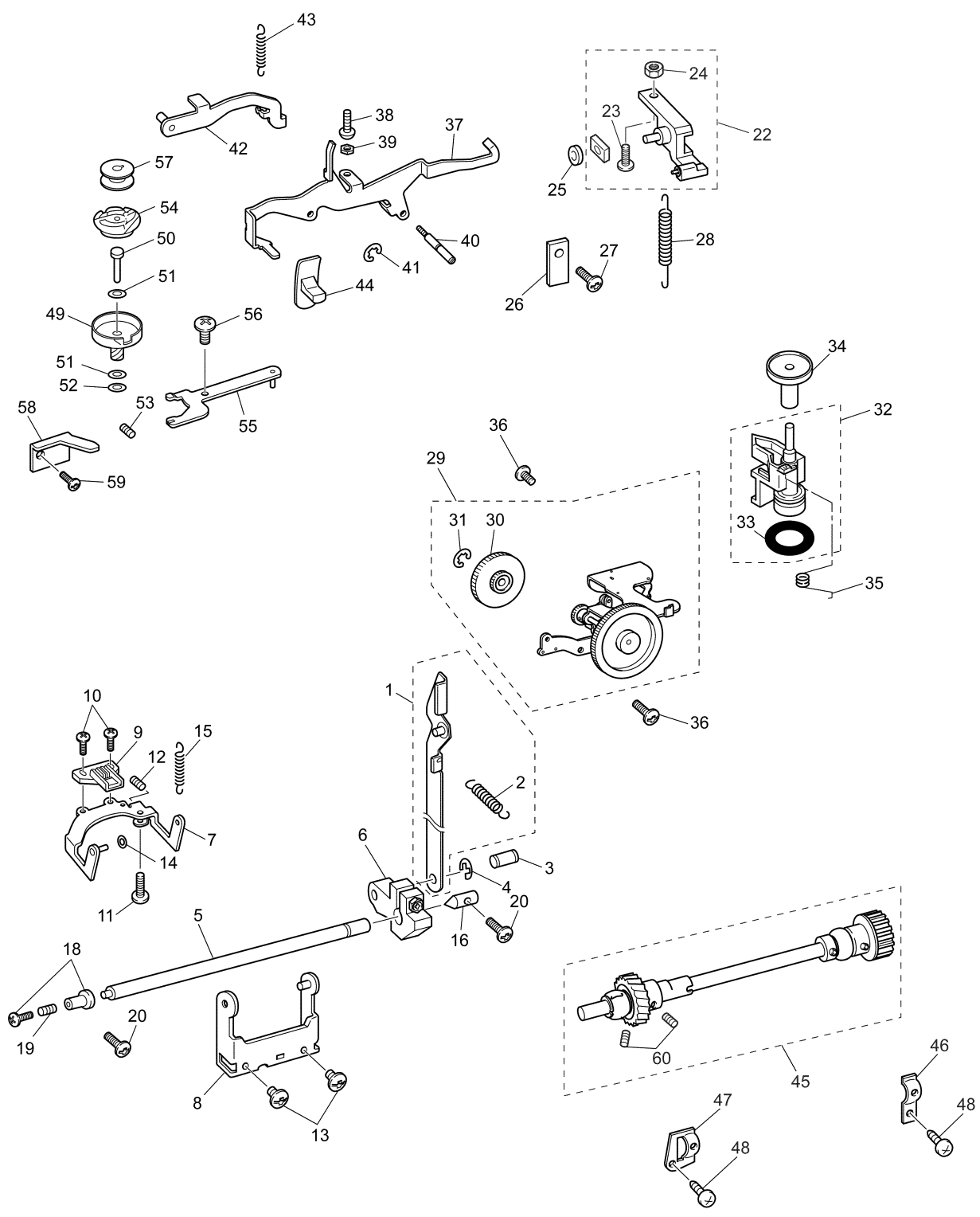
| No. | CODE | NAME | REMARKS | No. | CODE | NAME | REMARKS |
|-----|-----------|-------------------------------|------------|-----|-----------|---|---|
| 1 | XE3699001 | UPPER SHAFT SUPPLY ASSY | 1000006160 | | | | (XL6040, XL6050, XL6060:KOR, XL6053NTP, XL6062NTP, XL6063NTP, XL6452, XR52C, XR65T, XL6562) |
| 2 | X57370022 | PULLEY | | 33 | XA8052021 | THREAD GUIDE PLATE ASSEMBLY | |
| 3 | X54013051 | SET SCREW SM6.35 | | 34 | XA0445251 | THREADER HOOK ASSEMBLY | 060001 |
| 4 | X52478021 | BUSHING PRESSER | | 35 | 037200516 | TAPPING SCREW PAN V M2X5 | |
| 5 | X57908021 | TAPTITE BIND S M4 x 10 | | 36 | XA2367020 | NEEDLE THREADER SET COLLAR | |
| 6 | XA8039021 | TIMING BELT | | 37 | 012400432 | SET SCREW SOCKET (FT) M4X4 | |
| 7 | XA8040021 | TENSION PULLEY ASSEMBLY | | 38 | XA8056021 | NEEDLE THREAD POSITION SETTER | |
| 8 | XA3004021 | BOLT, (S/P WASHER) M5X12 | | 39 | 004260405 | SCREW FLAT M2.6X4 | |
| 9 | XA2358121 | NEEDLE BAR | | 40 | 060400616 | SCREW BIND M4X6 | |
| 10 | XC0947020 | NEEDLE BAR THREAD GUIDE | | | | | |
| 11 | 012400432 | SET SCREW SOCKET (FT) M4X4 | | 41 | XA8064021 | SPRING | |
| 12 | XZ0001121 | NEEDLE CLAMP | | 42 | X50487021 | SCREW M4 | 1000010447 |
| 13 | XZ0002021 | NEEDLE CLAMP SCREW | | 43 | XA8715021 | NEEDLE PLATE ASSEMBLY | |
| 14 | XA5718121 | NEEDLE CLAMP PIN | | 44 | 120454021 | RETAINING RING,CS3 | |
| 15 | XA8044021 | NEEDLE BAR SUPPORTER ASSY | | 45 | 061300416 | SCREW FLAT M3X4 | |
| 16 | XA8045021 | NEEDLE BAR SUPPORTER SUB ASSY | | 46 | XA8635020 | NEEDLE PLATE COVER SPRING | |
| 17 | XA8047020 | NEEDLE BAR SUPPORTER SHAFT | | 47 | XD1647021 | NEEDLE PLATE COVER SUPPLY ASSY | 050259 |
| 18 | XA8048021 | NEEDLE BAR SUPPORTER SHAFT | | 48 | XC0508020 | RUBBER WASHER | |
| 19 | XA8613021 | SET PLATE | | 49 | XA8063020 | PLATE | |
| 20 | 060300616 | SCREW BIND M3X6 | | 50 | XC0226021 | BH LEVER HOLDER | |
| 21 | 012400432 | SET SCREW SOCKET (FT) M4X4 | | 51 | X57908021 | TAPTITE,BIND S M4X10 | |
| 22 | XA1289121 | NEEDLE BAR CRANK ROD ASSY | | 52 | 025680133 | WASHER, PLAIN S 4.37 (XL6040, XL6050, XL6060:KOR, XL6053NTP, XL6062NTP, XL6063NTP, XL6452, XR52C, XR65T, XL6562) | |
| 23 | 014401232 | SET SCREW SOCKET (CP) M4X12 | | 53 | XA2505021 | THREAD TAKE-UP LEVER ASSEMBLY | 060011 |
| 24 | XC0600021 | SPRING | | 54 | XC0175021 | TAKE-UP LEVER SHAFT | |
| 25 | X56851021 | LOCK NUT | | 55 | 048050343 | RETAINING RING E5 | 1000001451 |
| 26 | XA8711021 | H SHAFT HOLDER ASSY | | 56 | XA8083021 | PRESSER PLATE | |
| 27 | 014400432 | SET SCREW SOCKET (CP) M4X4 | | 57 | X57913021 | TAPTITE, BIND S M4X16 | |
| 28 | XA0649021 | TAPTITE, CUP S M4X14 | | 58 | XA2402020 | PRESSER BAR | |
| 29 | XA7996021 | NEEDLE BAR SUPPORTER ARM | 1000001070 | 59 | X55770021 | PRESSER BAR SPRING | |
| 30 | X57647021 | NEEDLE BAR SUPPORTER STUD | | 60 | XA3955121 | PRESSER BAR BRACKET | |
| 31 | XC2499021 | ADJUSTING PLATE | 060011 | 61 | X52760051 | SET SCREW, PAN M6 x 12 | |
| 32 | 132051022 | SCREW, FLAT SM3.57-40X7 L | | 62 | XA2511121 | PRESSER FOOT LIFTER | |
| | | | | 63 | XA4422020 | PRESSER FOOT LIFTER STUD | |
| | | | | | | | |
| | | | | | | | |
| | | | | | | | |
| | | | | | | | |
| | | | | | | | |
| | | | | | | | |
| | | | | | | | |
| | | | | | | | |
| | | | | | | | |
| | | | | | | | |
| | | | | | | | |
| | | | | | | | |
| | | | | | | | |
| | | | | | | | |
| | | | | | | | |
| | | | | | | | |
| | | | | | | | |
| | | | | | | | |
| | | | | | | | |
| | | | | | | | |
| | | | | | | | |
| | | | | | | | |
| | | | | | | | |
| | | | | | | | |





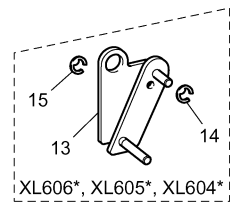
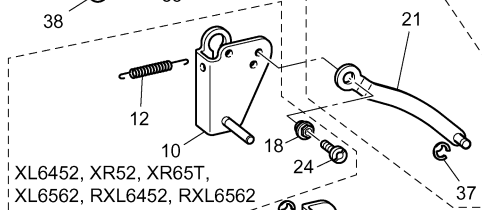
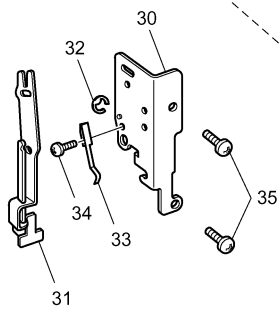
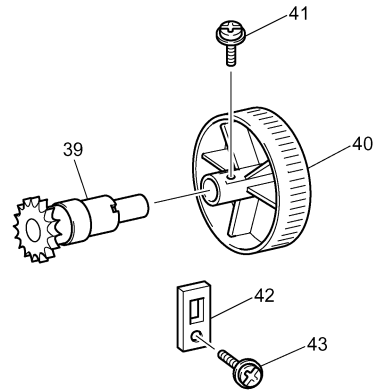
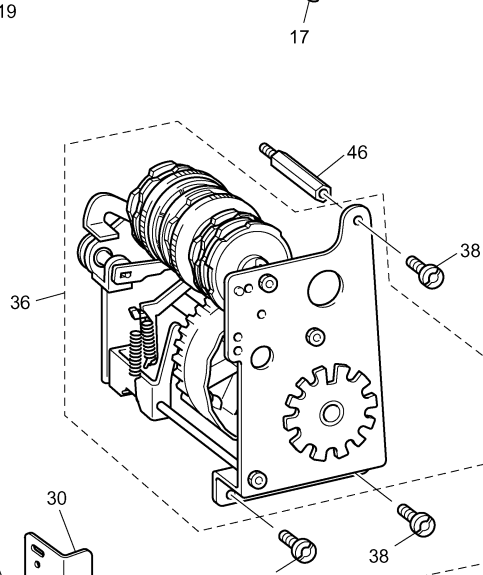
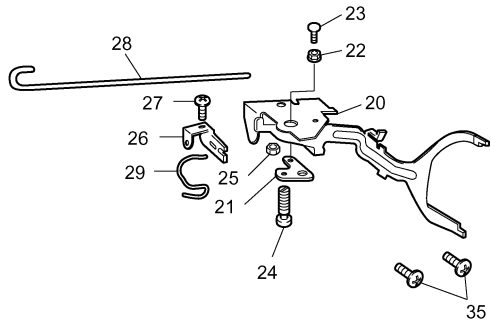
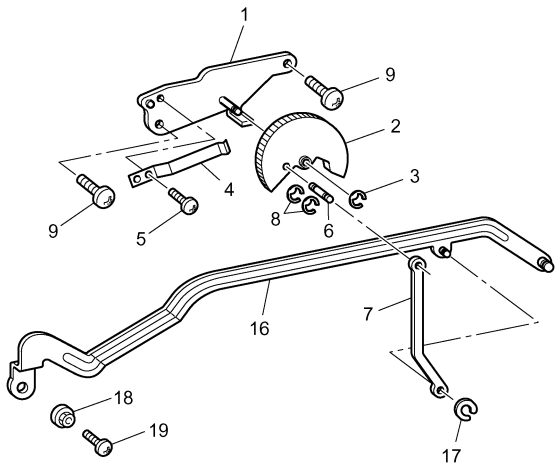
(3) FEED MECHANISM AND SHUTTLE HOOK

| No. | CODE | NAME | REMARKS | No. | CODE | NAME | REMARKS |
|-----|----------------------|----------------------------------|------------|-----|-----------|--------------------------------|------------|
| 1 | XA8066021 | FEED CONNECTING ROD ASSY | | 45 | XZ5063001 | LOWER SHAFT SUPPLY ASSY | 1000008685 |
| 2 | X57350021 | SPRING EXTENSION | | 46 | 132421021 | BUSHING PRESSER | |
| 3 | X57345021 | STUD | | 47 | XA1975021 | BUSHING PRESSER L | |
| 4 | 048050343 | RETAINING RING E5 | 1000001451 | 48 | X57908021 | TAPTITE, BIND S M4X10 | |
| 5 | XA8070020 | HORIZONTAL FEED SHAFT | | 49 | XC0752121 | OUTER ROTARY HOOK ASSY | |
| 6 | X57347021 | HORIZONTAL FEED ARM ASSY | | 50 | XA0360121 | OUTER ROTARY HOOK SHAFT | |
| 7 | XA8075021 | FEED STAND ASSY | | 51 | XA2190020 | WASHER U | |
| 8 | XA8071021 | HORIZONTAL FEED PLATE | | 52 | XA0362021 | WASHER | |
| 9 | XA8078021 | FEED DOG | | 53 | 014400632 | SET SCREW SOCKET (CP) M4X6 | |
| 10 | 060301016 | SCREW BIND M3X10 | | 54 | XC0066021 | INNER ROTARY HOOK ASSEMBLY | |
| 11 | XA8077051 | VERTICAL FEED FINGER | | 55 | XA8116021 | INNER ROTARY HOOK BRACKET ASSY | |
| 12 | 014401632 | SET SCREW SOCKET (CP) M4X16 | | 56 | 060400816 | SCREW BIND M4X8 | |
| 13 | 060400816 | SCREW BIND M4X8 | | 57 | X52800120 | BOBBIN | |
| 14 | 120454021 | RETAINING RING,CS3 | | 58 | XA8616021 | PRESSER PLATE | |
| 15 | XA1911021 | SPRING | | 59 | 0A4400806 | SCREW PAN (S/P WASHER) M4X8 | |
| 16 | XA1082021 | TAPER POINT STUD R | 060050 | 60 | 014400432 | SET SCREW SOCKET (CP) M4X4 | 1000008685 |
| 17 | X57913021 | TAPTITE, BIND S M4X16 | 1000001089 | | | | |
| 18 | X55472021 | TAPER POINT STUD L ASSEMBLY | | | | | |
| 19 | X56613021 | SPRING | | | | | |
| 20 | XZ0074021 | TAPTITE, CUP S 4X16 | 1000001089 | | | | |
| 21 | XA0030021 | FEED SQUARE BLOCK | 1000005330 | | | | |
| 22 | XZ5052001 | FEED REGULATOR UNIT | 1000005330 | | | | |
| 23 | XA8081051 | ADJUST SCREW | | | | | |
| 24 | X56960021 | NUT 4 | | | | | |
| 25 | X53330020 | WASHER | | | | | |
| 26 | XA8083021 | PRESSER PLATE | | | | | |
| 27 | X57908021 | TAPTITE, BIND S M4X10 | | | | | |
| 28 | XA0998021 | SPRING | | | | | |
| 29 | XC0989021 | FEED BRACKET SUB ASSEMBLY | | | | | |
| 30 | XA8090020 | IDLE GEAR | | | | | |
| 31 | 048040343 | RETAINING RING E4 | 1000001451 | | | | |
| 32 | XC0199021 | BOBBIN WINDER SHAFT BASE ASSY | | | | | |
| 33 | 120448021 | BOBBIN WINDER RUBBER BAND | | | | | |
| 34 | XA8099021 | BOBBIN BASE | | | | | |
| 35 | XZ0070021 | BOBBIN WINDER SPRING | | | | | |
| 36 | 060400616 | SCREW BIND M4X6 | | | | | |
| 37 | XA8105021 | REVERSE SEWING LEVER A | | | | | |
| 38 | X59200021 | SCREW | | | | | |
| 39 | X56960021 | NUT 4 | | | | | |
| 40 | XC0203021 | SCREW, STUD M4 | | | | | |
| 41 | 048050343 | RETAINING RING E5 | 1000001451 | | | | |
| 42 | XA8531021 | REVERSE SEWING LEVER B ASSY | | | | | |
| 43 | XA8111021 | SPRING | | | | | |
| 44 | XC0202021 | REVERSE SEWING BUTTON | | | | | |

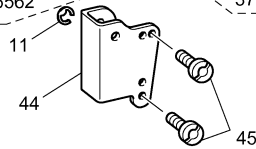


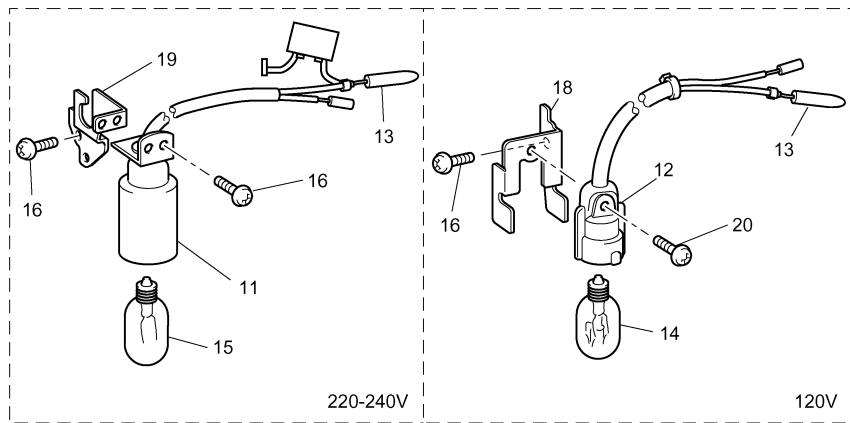
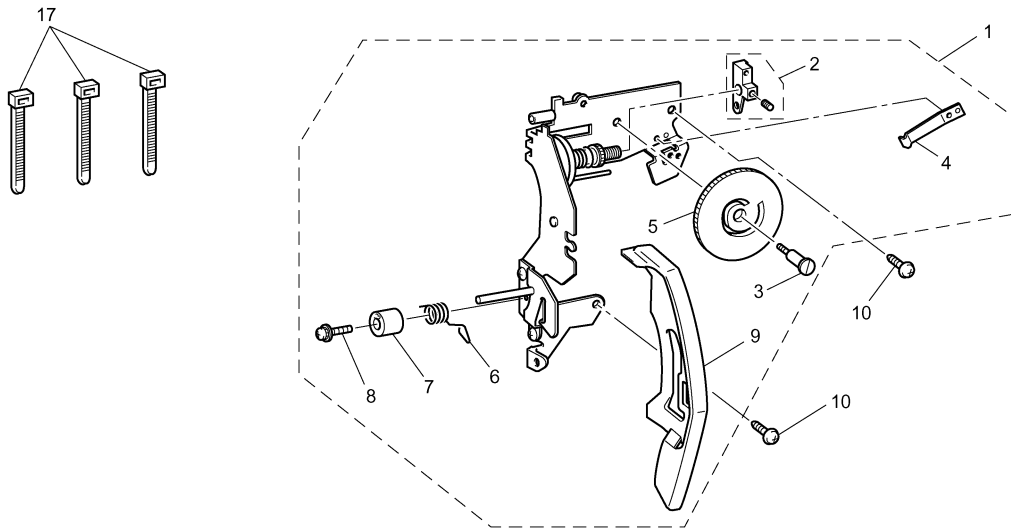
(4) ZIGZAG, BH MECHANISM AND PATTERN SELECTION

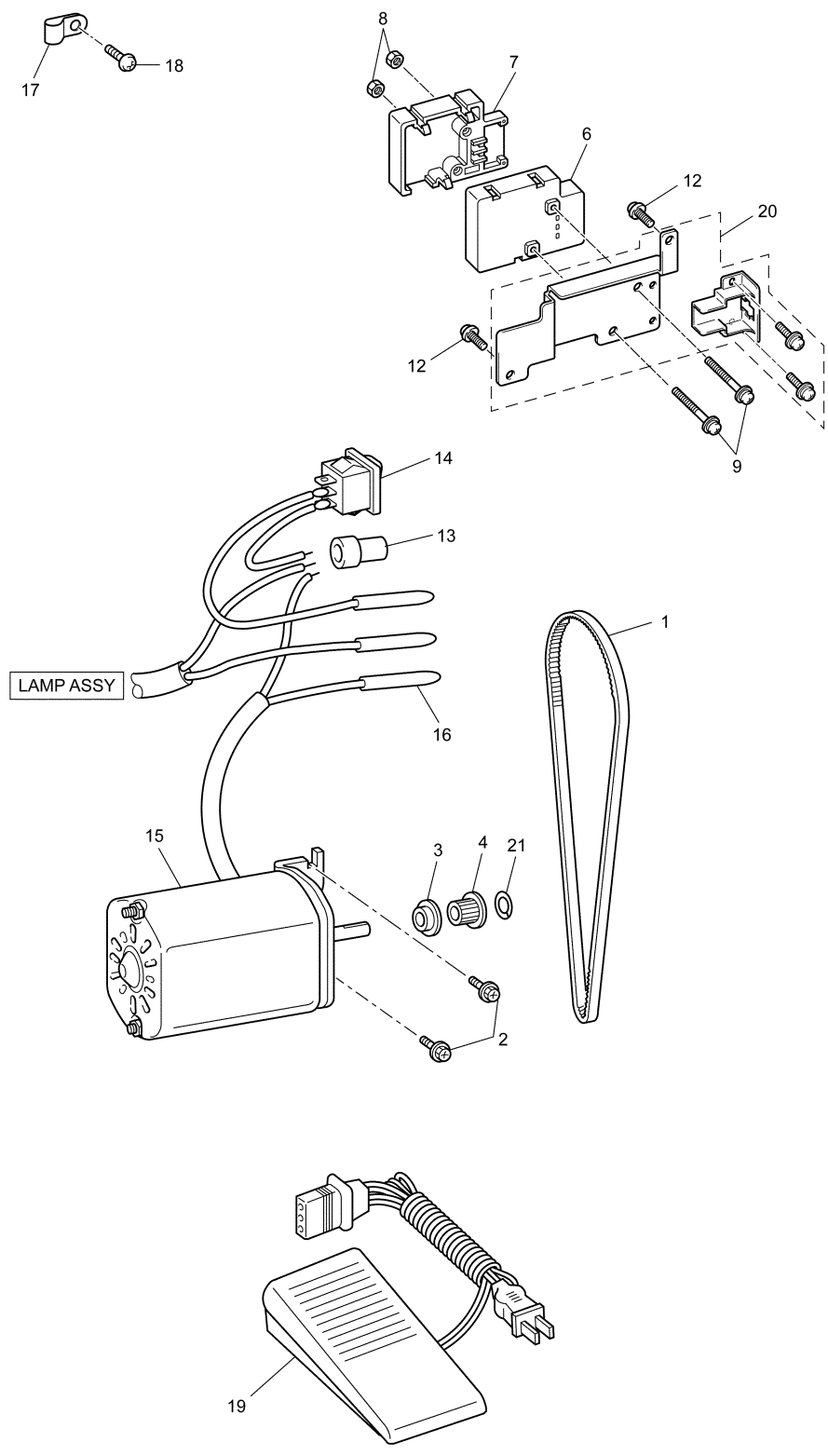
| No. | CODE | NAME | REMARKS | No. | CODE | NAME | REMARKS |
|--|-----------|--|------------|-----------------------------|-----------|---|------------|
| ZIGZAG MECHANISM (XL6452, XR52C, XR65T, XL6562) | | | | 32 | 048040343 | RETAINING RING E4 | 1000001451 |
| 1 | XC0206021 | Z DIAL HOLDER ASSY | | 33 | XC0227021 | BH SPRING | |
| 2 | XC0210022 | Z DIAL | | 34 | 060300616 | SCREW BIND M3X6 | |
| 3 | 048040343 | RETAINING RING E4 | 1000001451 | 35 | X57908021 | TAPTITE, BIND S M4X10 | |
| 4 | X56839021 | NOTCHED SPRING | | PATTERN SELECTION MECHANISM | | | |
| 5 | 062300416 | SCREW PAN M3X4 | | 36 | XC1092021 | PATTERN SELECTING UNIT ASSY (XL6040, XL6041, XL6042, XL6043) | |
| 6 | XC0211021 | Z DIAL PIN | | | XC1100021 | PATTERN SELECTING UNIT ASSY (XL6050, XL6051, XL6052, XL6053, XL6053NTP) | |
| 7 | XC0221021 | Z DIAL CONNECTING ROD | | | XC1098021 | PATTERN SELECTING UNIT ASSY (XL6060, XL6061, XL6062, XL6062NTP XL6063, XL6063NTP) | |
| 8 | 048020343 | RETAINING RING E2 | 1000001451 | | XC1091021 | PATTERN SELECTING UNIT ASSY (XL6452, XR52C, XR65T) | |
| 9 | 060400816 | SCREW BIND M4X8 | | | XC1069021 | PATTERN SELECTING UNIT ASSY (XL6562) | |
| 10 | XC0755021 | ZIGZAG LINK Z5R ASSEMBLY | | 37 | 048040343 | RETAINING RING E4 | 1000001451 |
| 11 | 048050343 | RETAINING RING E5 | 1000001451 | 38 | 060400816 | SCREW BIND M4X8 | |
| 12 | XC0215021 | SPRING | | 39 | XC0260121 | SELECTING GEAR ASSY | |
| (XL6040, XL6041, XL6042, XL6043, XL6050, XL6051, XL6052, XL6053, XL6053NTP, XL6060, XL6061, XL6062, XL6062NTP, XL6063, XL6063NTP) | | | | | XC0629021 | SELECTING GEAR ASSY (XL6040, XL6041, XL6042, XL6043) | |
| 13 | XC0758021 | ZIGZAG LINK Z5C ASSY | | 40 | X59154022 | PATTERN SELECTING DIAL | |
| 14 | 048050343 | RETAINING RING E5 | 1000001451 | 41 | XC7568051 | SCREW, PAN (S/P WASHER) M4X14 | 1000000866 |
| 15 | 048040343 | RETAINING RING E4 | 1000001451 | 42 | XA8190021 | PRESSER PLATE | |
| 16 | XC0216021 | Z CONNECTING ROD ASSY (XL6452, XR52C, XR65T, XL6562) | | 43 | X57908021 | TAPTITE, BIND S M4X10 | |
| | XC0761021 | Z CONNECTING ROD ASSY Z5C (XL6040, XL6041, XL6042, XL6043, XL6050, XL6051, XL6052, XL6053, XL6053NTP, XL6060, XL6061, XL6062, XL6062NTP, XL6063, XL6063NTP) | | 44 | XC0757021 | ZIGZAG LINK HOLDER Z5R | |
| 17 | 048020343 | RETAINING RING E2 | 1000001451 | 45 | 060400616 | SCREW BIND M4X6 | |
| 18 | X50559020 | ZIGZAG ADJUSTING NUT | | 46 | XC0264021 | SCREW, HEXAGON M4X40.5 | |
| 19 | 062301006 | SCREW PAN M3X10 | | | | | |
| BH MECHANISM (Except XL6040,XL6041,XL6042,XL6043) | | | | | | | |
| 20 | XC0223021 | BH STOPPER ASSY | | | | | |
| 21 | X52176021 | BH ADJUSTING PLATE | | | | | |
| 22 | 130833021 | ECCENTRIC NUT | | | | | |
| 23 | 062670812 | SCREW PAN SM3.57-40X8 | | | | | |
| 24 | X52030221 | BH NOTCH ADJUSTING SCREW | | | | | |
| 25 | 102571026 | NUT, SM4.37 | | | | | |
| 26 | X52027021 | BH CHANGE ARM | | | | | |
| 27 | 060400816 | SCREW BIND M4X8 | | | | | |
| 28 | XC0224021 | BH CONNECTING SHAFT | | | | | |
| 29 | XZ0023021 | BH NOTCH SPRING | | | | | |
| 30 | XC0226021 | BH LEVER HOLDER | | | | | |
| 31 | XA3975121 | BH LEVER HOLDER ASSEMBLY | | | | | |



XL6452, XR52, XR65T,
XL6562, RXL6452, RXL6562

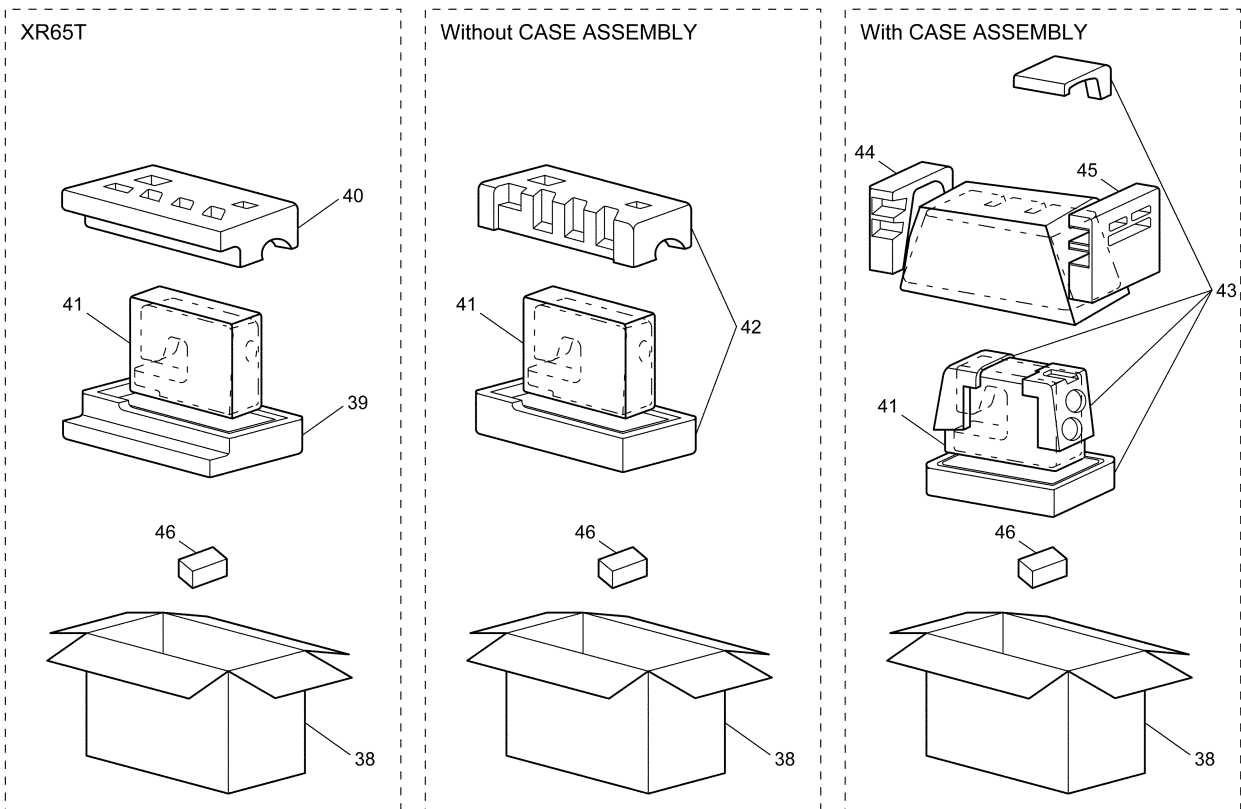
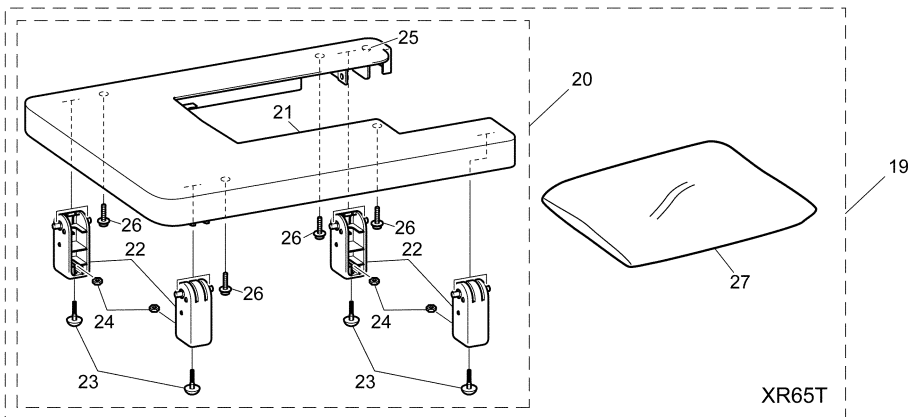
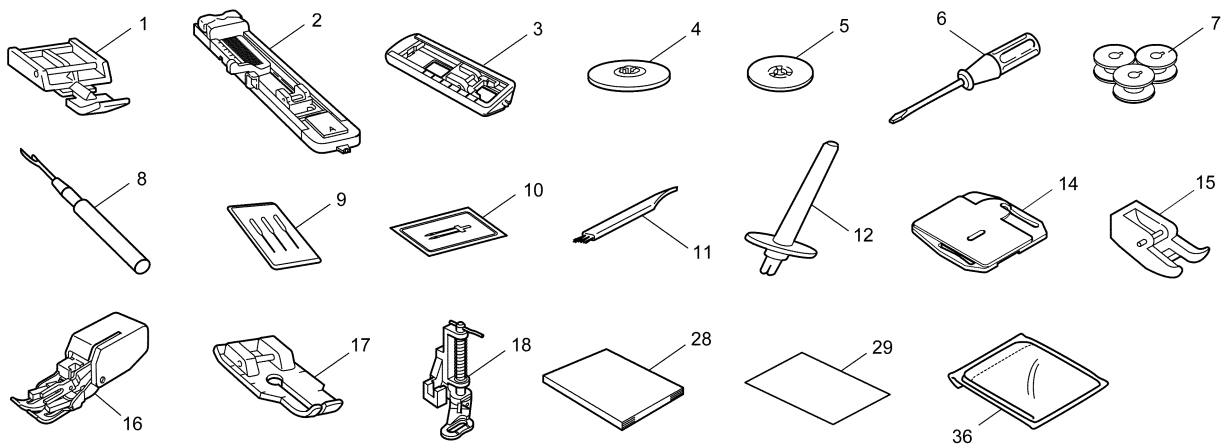






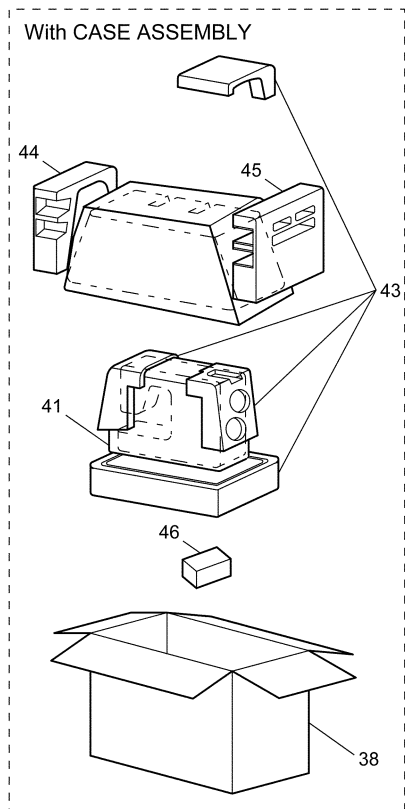
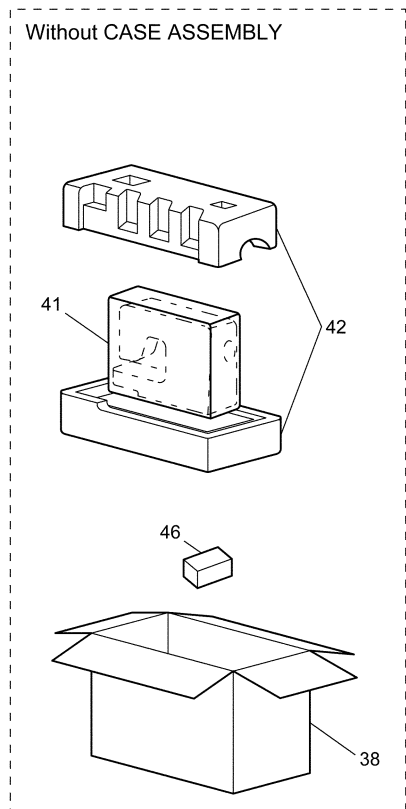
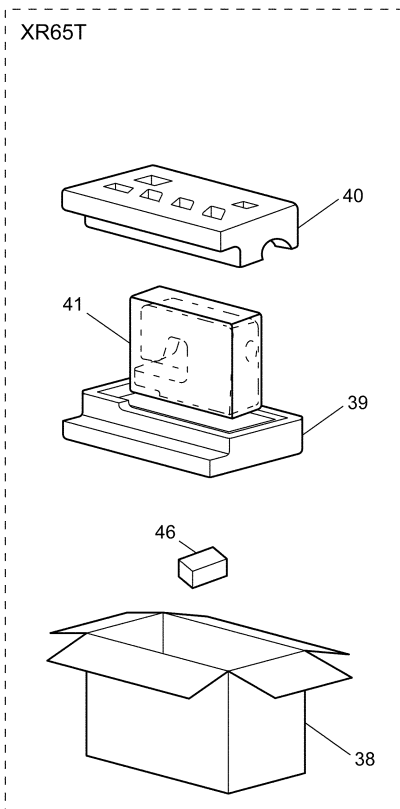
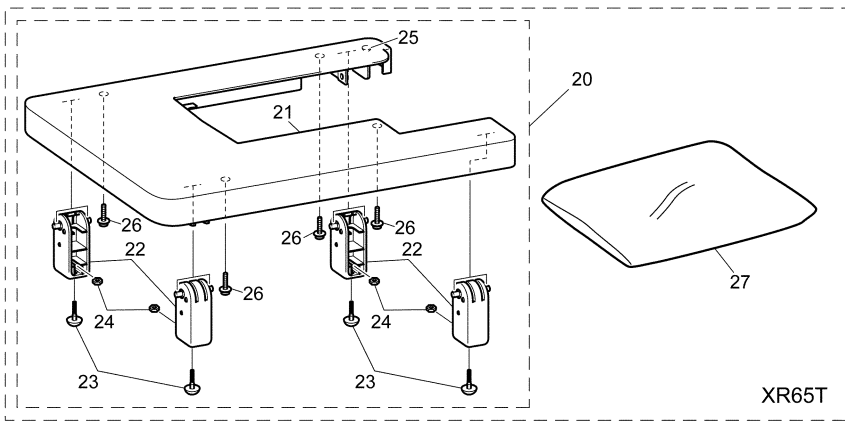
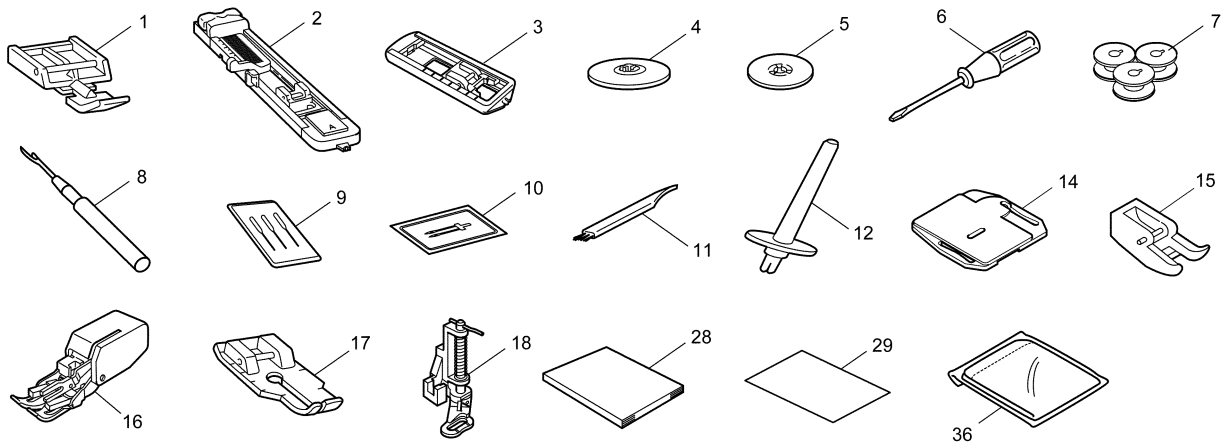
(7) ATTACHMENTS

| No. | CODE | NAME | REMARKS | No. | CODE | NAME | REMARKS | | | |
|-------------|-----------|--|------------|-----------------|-----------|---|---|--|--|--|
| ATTACHMENTS | | | | PRINTED MATTERS | | | | | | |
| 1 | X59370021 | ZIPPER FOOT | 060121 | 28 | 194283013 | INSTRUCTION BOOK (English, German, Russian) (XL6043:AUSTRIA, XL6041:AUSTRIA, XL6042:AUSTRIA, XL6040:RUS, XL6052:AUSTRIA, GER, XL6051:AUSTRIA, U.K., XL6053:AUSTRIA, XL6050:RUS, XL6061:U.K., XL6062:AUSTRIA, U.K., XL6062NTP, XL6063:AUSTRIA, XL6060:AUSTRIA, RUS) | | | | |
| 2 | XD1792031 | BUTTON HOLE FOOT ASSY (Except XL6040, XL6041, XL6042, XL6043) | 060173 | | | 194283012 | INSTRUCTION BOOK (English, Spanish, Italian) (XL6040:ITA, SIN, AUSTRALIA, XL6050:SWI, SIN, AUSTRALIA, XL6060:SIN, XL6063:SIN) | | | |
| 3 | X59369321 | BUTTON HOLE FOOT ASSY (XL6040, XL6041, XL6042, XL6043) | | | | | 194283011 | INSTRUCTION BOOK (German, French, Dutch) (XL6050, XL6053, XL6060, XL6063:FRA, XL6050:SWI, XL6053NTP, XL6063NTP) | | |
| 4 | 130012054 | SPOOL PRESSER A | | | | | | 194283014 | INSTRUCTION BOOK (Swedish, Finnish, Danish) (XL6040, XL6050:FIN) | |
| 5 | 130013154 | SPOOL PRESSER B | | | | | | | 194283015 | INSTRUCTION BOOK (XL6040, XL6050:FIN) |
| 6 | X55467051 | SCREW DRIVER | 060020 | | | | 194285211 | INSTRUCTION BOOK (XL6452, XR52C, XR65T, XL6562) | | |
| 7 | X52800120 | BOBBIN | | | | | XD0999021 | INSTRUCTION BOOK (EUR, KOR, RUS) | | |
| 8 | X54243051 | SEAM RIPPER | | | | XC4784021 | OPERATION MANUAL (Hangul) (XL6040, XL6050, XL6060:KOR) | | | |
| 9 | 129583021 | NEEDLE SET (3PCS) | | | | 29 | UH3851004 WARRANTY CARD EUR (GER, U.K., FRA, ITA, SWI) | 1000017862 | | |
| 10 | X57521021 | NEEDLE PACKAGE (1PCE) | | | | | XG6402024 | WARRANTY CARD UK (U.K.) | | |
| 11 | X59476021 | CLEANING BRUSH | | | XA6351224 | | WARRANTY CARD (ITA) | | | |
| | X59476051 | CLEANING BRUSH (XL6452, XR52C) | | | XC0380021 | | WARRANTY CARD (U.S.A.) | | | |
| 12 | 130920021 | EXTRA SPOOL PIN | | | XE2010001 | | WARRANTY CARD BROTHER CANADA (CANADA) | 1000001038 | | |
| 13 | X57367021 | BAG, 135X150 | | | XD0256021 | | INSERTION WEEE (GER, U.K., FRA, AUS, ITA, FIN, SWI) | | | |
| 14 | XA3442121 | FEED DOG COVER | | | XC6911021 | | ACCINFO SHEET (XR65T:U.S.A.) | | | |
| 15 | X53189001 | PRESSER FOOT ASSEMBLY (XL6452, XR52C, XR65T, XL6562) | | | 36 | | X53984027 | DUST COVER ASSY (Except XL6452, XR52C, XL6562) | | |
| 16 | XE2785002 | WALKING FOOT ASSY (XR65T) | 1000002188 | | | | XZ5004021 | DUST COVER ASSY (XR65T) | | |
| 17 | XA3805021 | 1/4"QUILTING FOOT (XR65T) | 1000000880 | | | | | | | |
| 18 | X59821001 | QUILTING FOOT (XR65T) | | | | | | | | |
| 19 | XC6272022 | WIDE TABLE ASSY W/T4 (XR65T) | | | | | | | | |
| 20 | XC5473021 | T4 WIDE TABLE ASSY (XR65T) | | | | | | | | |
| 21 | XC4493021 | TABLE LOWER (XR65T) | | | | | | | | |
| 22 | XC4495021 | TABLE FOOT (XR65T) | | | | | | | | |
| 23 | XD1223021 | ADJUSTING FOOT (XR65T) | | | | | | | | |
| 24 | 021400206 | NUT 2 M4 (XR65T) | | | | | | | | |
| 25 | XC4498021 | LOCK SPRING (XR65T) | | | | | | | | |
| 26 | 087411416 | TAPTITE CUP B M4X14 (XR65T) | | | | | | | | |
| 27 | X61231021 | BAG,400X500H (XR65T) | | | | | | | | |
| | X60838000 | BAG,70X110C (XR65T) | 050336 | | | | | | | |
| | | | | | | | | | | |
| | | | | | | | | | | |
| | | | | | | | | | | |
| | | | | | | | | | | |
| | | | | | | | | | | |
| | | | | | | | | | | |
| | | | | | | | | | | |
| | | | | | | | | | | |
| | | | | | | | | | | |
| | | | | | | | | | | |
| | | | | | | | | | | |
| | | | | | | | | | | |
| | | | | | | | | | | |
| | | | | | | | | | | |
| | | | | | | | | | | |
| | | | | | | | | | | |
| | | | | | | | | | | |



(7) ATTACHMENTS

| No. | CODE | NAME | REMARKS | No. | CODE | NAME | REMARKS |
|-------------------|-----------|--|------------|-----|-----------|--|---------|
| | 130800021 | BAG, 230X310H (Except XL6040, XL6050, XL6060:KOR) | 1000011228 | 47 | 264030024 | BAG,165X250 (XL6040:KOR, AUSTRALIA, XL6050:KOR, AUSTRALIA, XL6060:KOR, AUSTRALIA) | DEL |
| PACKING MATERIALS | | | | | | | |
| 38 | X61683024 | COLOR CARTON (XL6040:AUSTRALIA) | | 48 | 160670021 | BAG,150X350 (XL6040:KOR, AUSTRALIA, XL6050:KOR, AUSTRALIA, XL6060:KOR, AUSTRALIA) | DEL |
| | X61650035 | CARTON (XL6042:GER, AUSTRIA) | | | | | |
| | X61650030 | CARTON (XL6043:AUSTRIA) | | | | | |
| | X61650038 | CARTON (XL6041:AUSTRIA) | | | | | |
| | X61650025 | CARTON (XL6040:ITA, FIN, RUS, SIN) | | | | | |
| | X61701024 | CARTON (XL6040, XL6050, XL6060:KOR) | | | | | |
| | X61650034 | CARTON (XL6052:GER, AUSTRIA) | | | | | |
| | X61650037 | CARTON (XL6051:U.K., AUSTRIA) | | | | | |
| | X61650027 | CARTON (XL6050:FRA, FIN, RUS, SIN) | | | | | |
| | X61650029 | CARTON (XL6053:FRA, AUSTRIA) | | | | | |
| | X61650039 | CARTON (XL6053NTP) | | | | | |
| | X61683023 | COLOR CARTON (XL6050:SWI, AUSTRALIA) | | | | | |
| | X61683025 | COLOR CARTON (XL6060:AUSTRALIA) | | | | | |
| | X61650036 | CARTON (XL6061:U.K.) | | | | | |
| | X61650033 | CARTON (XL6062:U.K., AUSTRIA) | | | | | |
| | X61650041 | CARTON (XL6062NTP) | | | | | |
| | X61650026 | CARTON (XL6060:FRA, RUS, XL6063:SIN) | | | | | |
| | X61650028 | CARTON (XL6063:FRA, AUSTRIA, XL6060:SIN) | | | | | |
| | X61650040 | CARTON (XL6063NTP) | | | | | |
| | X61683022 | COLOR CARTON (XL6452) | | | | | |
| | X61683021 | COLOR CARTON (XL6562) | | | | | |
| | X61701022 | CARTON (XR52C) | | | | | |
| | XC5505023 | T4 CARTON W/WT (XR65T) | | | | | |
| | XC9169021 | CARTON (XR65T:U.K.) | | | | | |
| | X61650082 | CARTON (XL6040:RUS) | 1000001416 | | | | |
| | X61650083 | CARTON (XL6050:RUS) | 1000001416 | | | | |
| | X61650084 | CARTON (XL6060:RUS) | 1000001416 | | | | |
| 39 | XC5388020 | T4 SF LOWER W/WT (XR65T) | | | | | |
| 40 | XC5389020 | T4 SF UPPER W/WT (XR65T) | | | | | |
| 41 | X60439121 | BAG 630X630T | 1000013192 | | | | |
| 42 | X61695021 | 285 SF ASSY (OTHER) | | | | | |
| 43 | X61699121 | 284 SF ASSY (XL6040, XL6050, XL6060:KOR) | 060054 | | | | |
| 44 | X60018120 | OVER CASE POLYSTYRENE L | 060054 | | | | |
| 45 | X60019120 | OVER CASE POLYSTYRENE R | 060054 | | | | |
| 46 | X60726020 | FOOT CONTROLLER BOX | | | | | |



brother®

XL6040/XL6041/XL6042/XL6043/XL6050/XL6051/XL6052/XL6053/XL6053NTP
XL6060/XL6061/XL6062/XL6062NTP/XL6063/XL6063NTP
XL6452/XL6562/XR52C/XR65T
HF885281-285

06. 2005.
03. 2010.