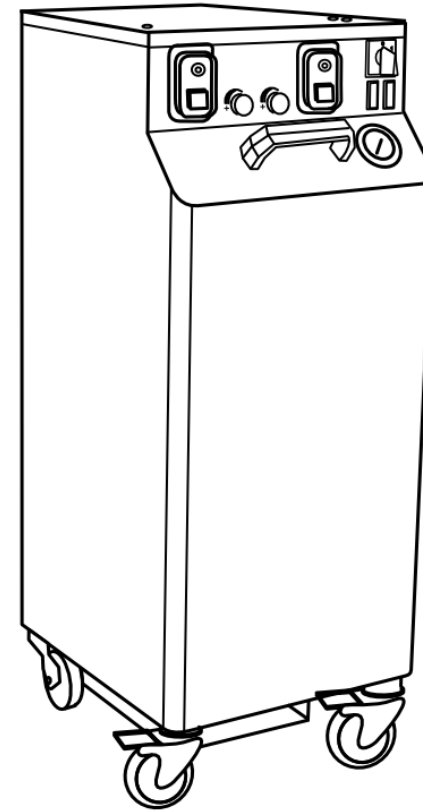


STEAM IRON



Bieffe Srl Via Costa Fagnano, 3 61122 Pesaro
Tel. 0039 0721281857 Fax 0039 0721281880
www.bieffeitalia.it info@bieffeitalia.it



Operating instructions

- COD. BF425S01 STEAM IRON 3000W 230V
- COD. BF425S02 STEAM IRON 4500W 380V



*Information, descriptions and illustrations contained in this manual are not binding.
BIEFFE maintains the right to introduce any necessary change. June 2012*

*MADE IN ITALY. The whole BIEFFE production is made in Pesaro.
Components produced in Italy and recyclable materials are used.*

GENERAL SAFETY INSTRUCTIONS

- ⇒ After the removal of the package make sure of the appliance's integrity. In case of doubt do not operate the appliance but take it to a qualified service person for examination and repair. Plastic bags, polystyrene, etc..., must be kept out of the children's reach.
- ⇒ Before connecting appliance, make sure that data on the plate are the same as the power supply network.
- ⇒ Plug appliance into grounded outlet of sufficient power as provided for by the safety regulations in force.
- ⇒ Do not touch appliance with wet or damp hands.
- ⇒ Always disconnect appliance from electrical outlet when not in use.
- ⇒ This appliance is only and exclusively for its intended use so the manufacturer can not be held responsible for any probable damage due to an illegitimate use.
- ⇒ Never unscrew the safety valve cap during use.
- ⇒ Before cleaning and maintenance make sure that appliance is disconnected from outlet. Do not wash the appliance, do not immerse in water. Before filling the boiler, make sure that appliance is unplugged.
- ⇒ In case of failure or operational defect, turn off appliance, disconnect from electrical outlet. Do not disassemble or attempt to repair the appliance. Incorrect re-assembly or repair could cause a risk of fire, electric shock, or injury to persons when the appliance is used. Any repair must be executed by qualified service persons authorized by the manufacturer. Ask for exclusive use of original spare-parts.
- ⇒ Installation must be executed according to manufacturer's instructions (space for ventilation, room temperature).
- ⇒ Do not operate appliance with damaged cord or hose, but let it made replaced.
- ⇒ Do not remove safety device and protective cover.
- ⇒ Before servicing make sure that appliance is unplugged from electrical outlet.
- ⇒ The non-observance of the above OPERATING AND SAFETY INSTRUCTIONS could prejudice safety.

Have a good job

MAINTENANCE: EMPTYING/CLEANING THE BOILER

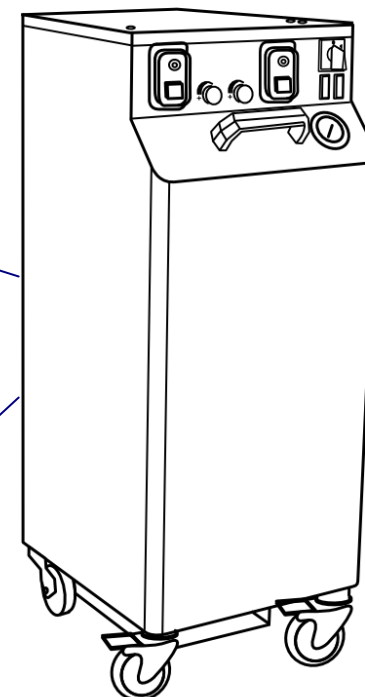
- ⇒ Unplug the machine and unscrew the safety valve cap counterclockwise half a turn to release all pressure in the boiler.
- ⇒ When the boiler is cold and not under pressure, open the draining tap under the machine and pour out the water from the boiler.
- ⇒ It is not necessary to pour out all remaining water each time you finish cleaning. Do the the emptying/cleaning operations once a month (or more according to the use).

WHEN FINISHED WORKING, TURN OFF ALL THE SWITCHES, UNPLUG THE APPLIANCE AND KEEP IN A DRY PLACE.

- No. 1 Steam generator
- No. 1 10 Lt water tank
- No. 2 Professional steam Irons complete with steam inlet
- No. 2 Power cord and steam hose holder

BIEFFE FARINELLI GENERATORI DI VAPORE	
Mod. Steam Iron Cod. BF425S02	
Power Alimentazione	380 V
Boiler Caldaia	5,0 LT
Boiler Power Potenza caldaia	1500+1500 +1500 W
Working Pressure Pressione di lavoro	4,5 BAR
N. Made in Italy	

BIEFFE FARINELLI GENERATORI DI VAPORE	
Mod. Steam Iron Cod. BF425S01	
Power Alimentazione	220 V
Boiler Caldaia	5,0 LT
Boiler Power Potenza caldaia	1500+1500 W
Working Pressure Pressione di lavoro	4,5 BAR
N. Made in Italy	

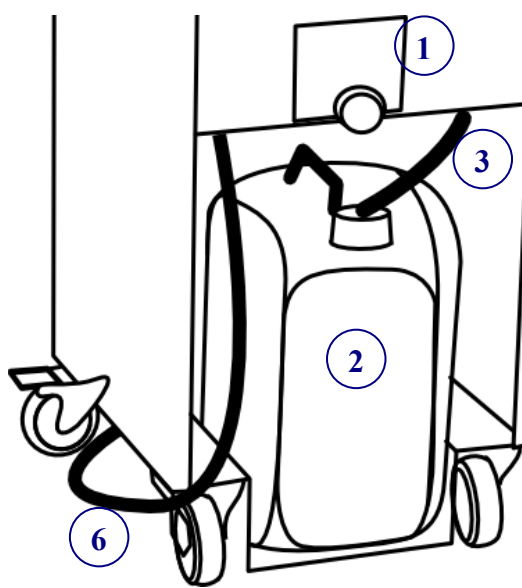


CAUTION
DO NOT REMOVE SAFETY DEVICE AND PROTECTIVE COVER BEFORE MAINTENANCE AND SERVICE MAKE SURE THAT APPLIANCE IS UNPLUGGED FROM ELECTRIC OUTLET AND BOILER IS COOL AND NOT UNDER PRESSURE

CONSUMER NOTICE:

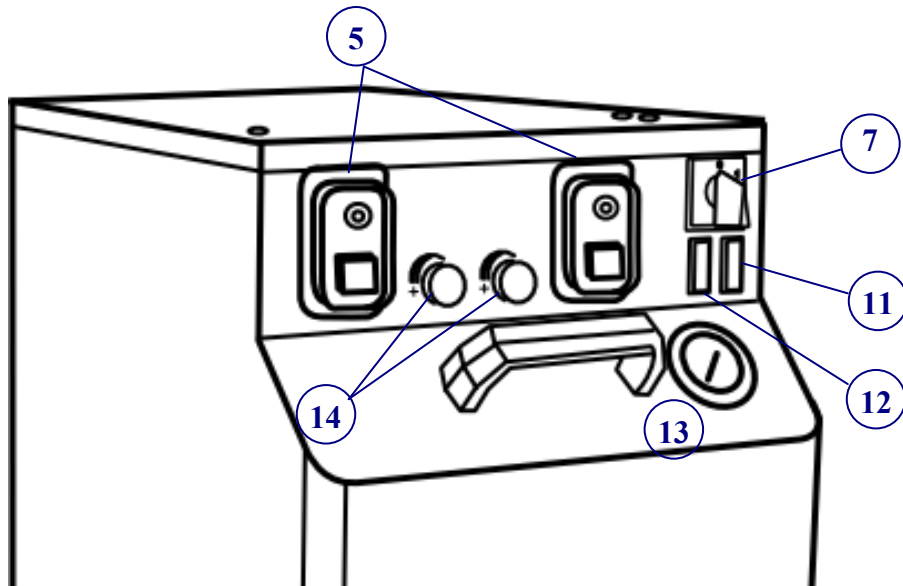
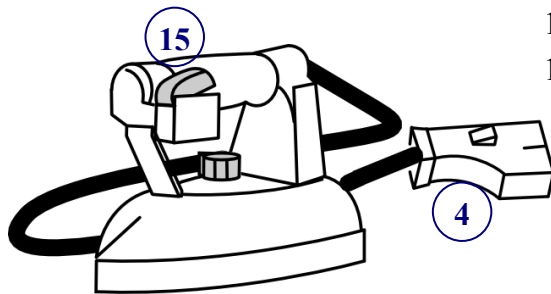
The BIEFFE product you have purchased is subject to Directive 2002/96/EC of the European Parliament and the Council of the European Union on waste electrical and electronic equipment (WEEE) and, in jurisdictions adopting that Directive, is marked as being put on the market after August 13, 2005, and should not be disposed of as unsorted municipal waste. Please utilize your local WEEE collection facilities in the disposition of this product and otherwise observe all applicable requirements.





LEGENDA

- 1 Draining tap
- 2 Water tank
- 3 Water recharge hose
- 4 Steam inlet
- 5 Steam outlet
- 6 Power cable
- 7 General switch
- 8 Thermostat knob
-
- 11 Power lamp
- 12 Steam ready lamp
- 13 Pressure gauge
- 14 Steam flow knob
- 15 Steam switch



SETTING UP

- ⇒ Be sure that the draining tap (1) is closed.
- ⇒ Fill in the water tank (2) (Note: do not use distilled water). The recharge hose (3) must be inside the tank completely in the water.
- ⇒ Connect the steam iron(s) to the appliance. Connect the steam inlet (4) of the iron to the the steam outlet (5).
- ⇒ Connect the power cord (6) to the power suppli.
- ⇒ Turn the general switch (7) on position 1 to activate the machine and the first heater. Lamp (11) will turn on. Turn the general switch (7) on position 2 to get the high temperature faster and a stronger and longer steam jet.
- ⇒ In the iron set the thermostat knob (8) to desired temperature. With high temperatures you run the risk of burning the garment or obtaining an undesired shine effect on the fabric. The use of anti-shine Teflon shoe will eliminate this problem.
- ⇒ Before working, wait until the steam ready lamp (12) lights up and/or the pressure gauge (13) reaches 4bar.

OPERATING INSTRUCTIONS

- ⇒ Turn the knob (14) to control the steam flow in the nearby steam outlet.
- ⇒ Press the button (15) on the iron to get the steam jet.
- ⇒ When the the boiler is going to be empty, the pump recharges the boiler with water from the water tank. When the tank is empty, a sound alarm is activated. During the alarm the machine stops working. To work a-gain fill in the tank.
- ⇒ At the end turn the general switch on position 0 and unplug the machi-ne.