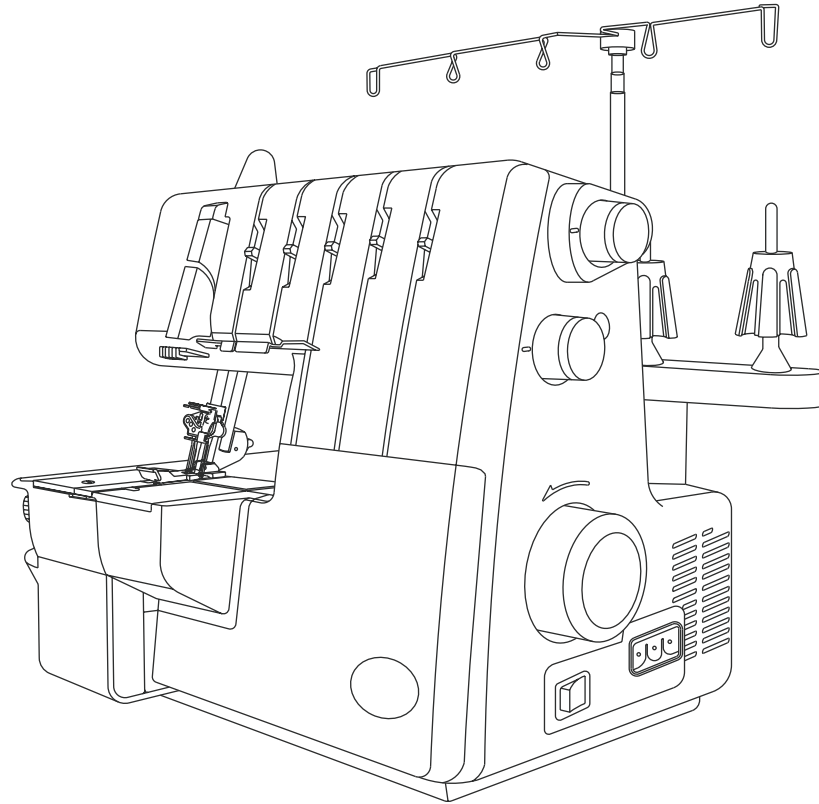
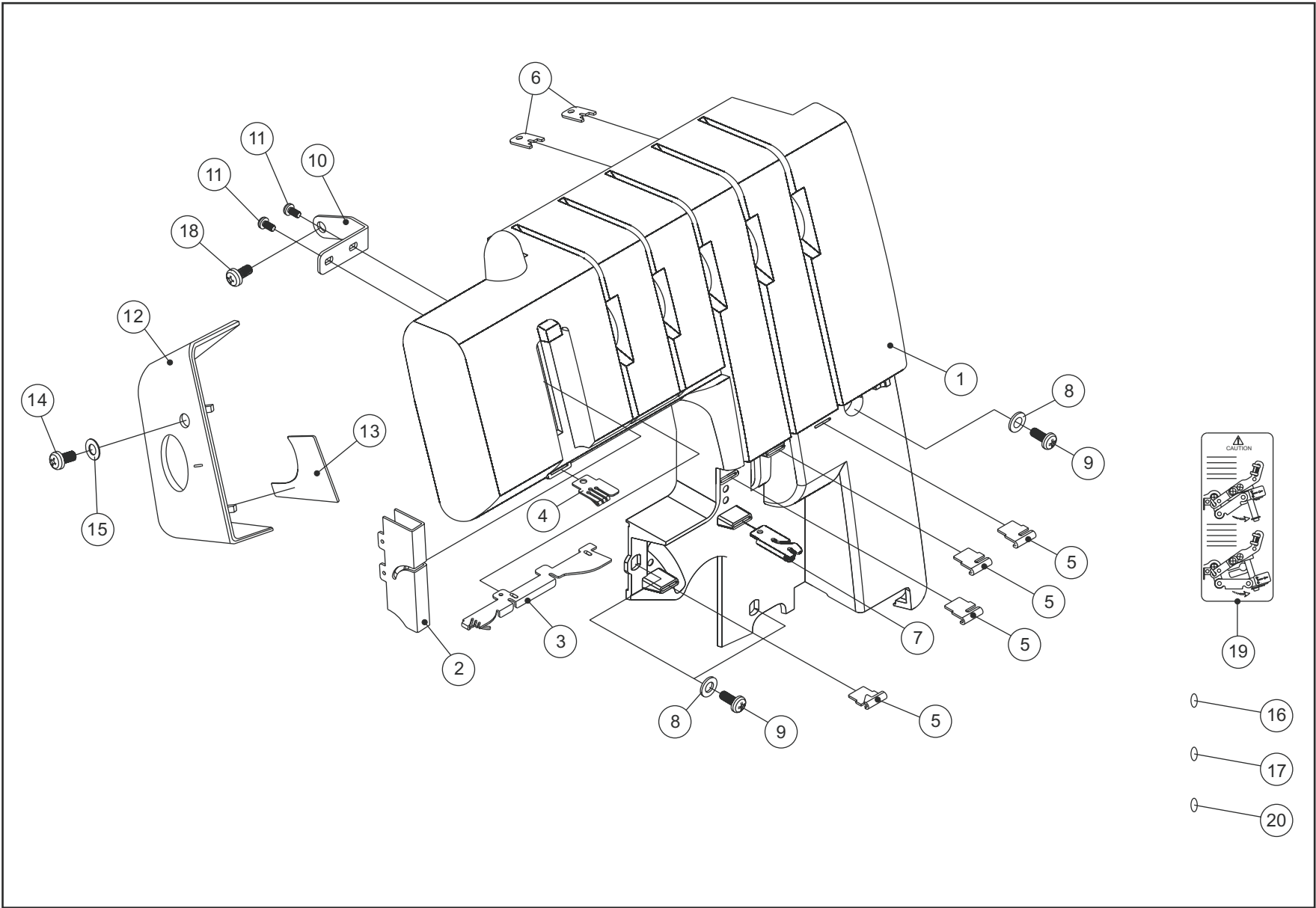


Parts List



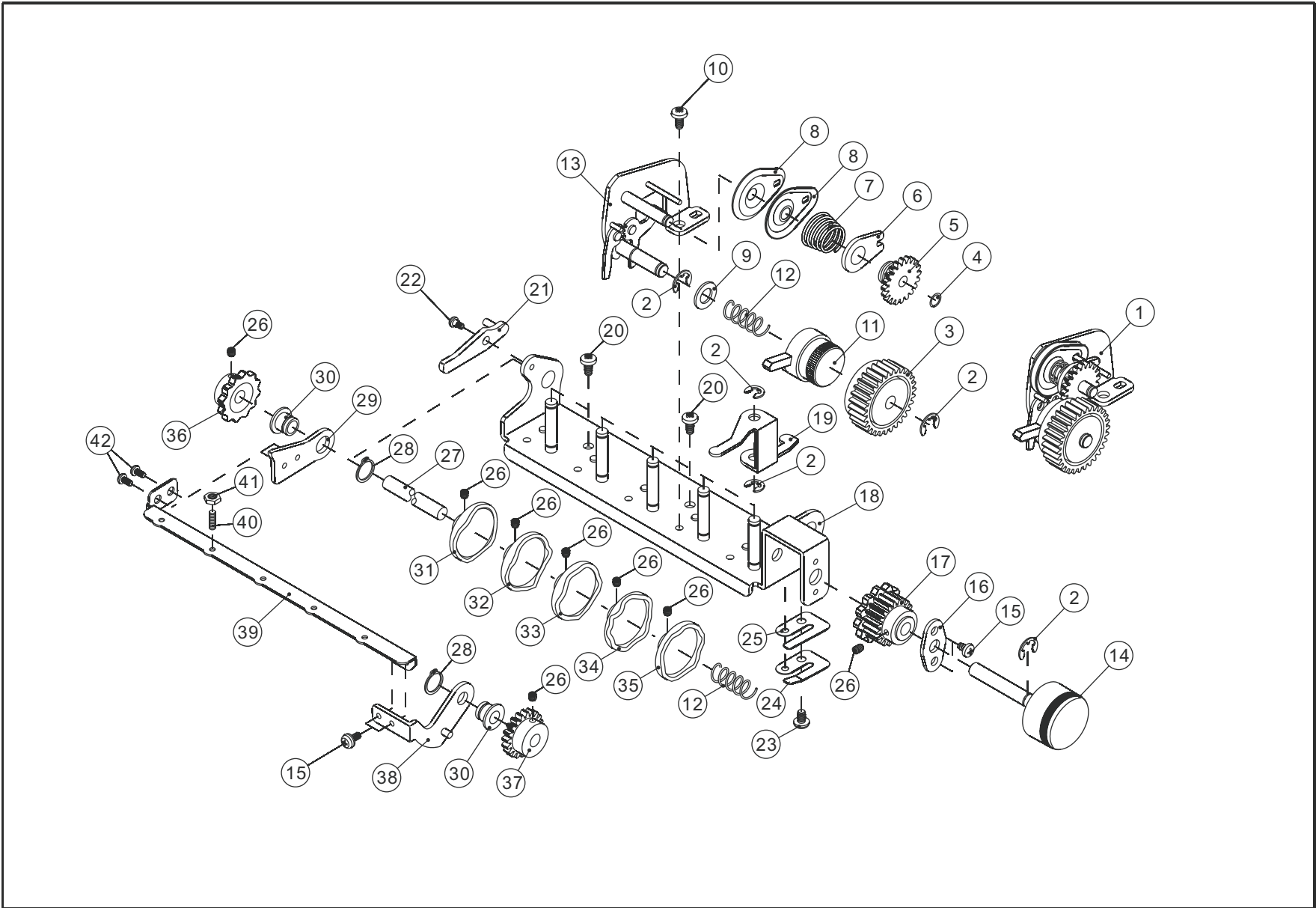
CONTENTS

	PAGES
1. Front cover / Bulb cover.....	1 , 2
2. Auto tension dial.....	3 , 4
3. Looper cover.....	5 , 6
4. Side cover / Base plate / Extension table / Back cover / Thread guide bar / Spool stand.....	7 , 8
5. Machine frame / Lower knife / Stitch plate.....	9,10
6. Handle holder.....	11,12
7. Main shaft.....	13,14
8. Needle bar connecting arm.....	15,16
9. Upper knife.....	17,18
10. Handwheel / Stitch length dial.....	19,20
11. Needle bar / Presser bar / Presser foot.....	21,22
12. Upper looper.....	23,24
13. Differential feed.....	25,26
14. Feed dog.....	27,28
15. Lower looper / Cover stitch looper / Auto threader.....	29,30
16. Electronic parts.....	31,32
17. Accessories.....	33,34



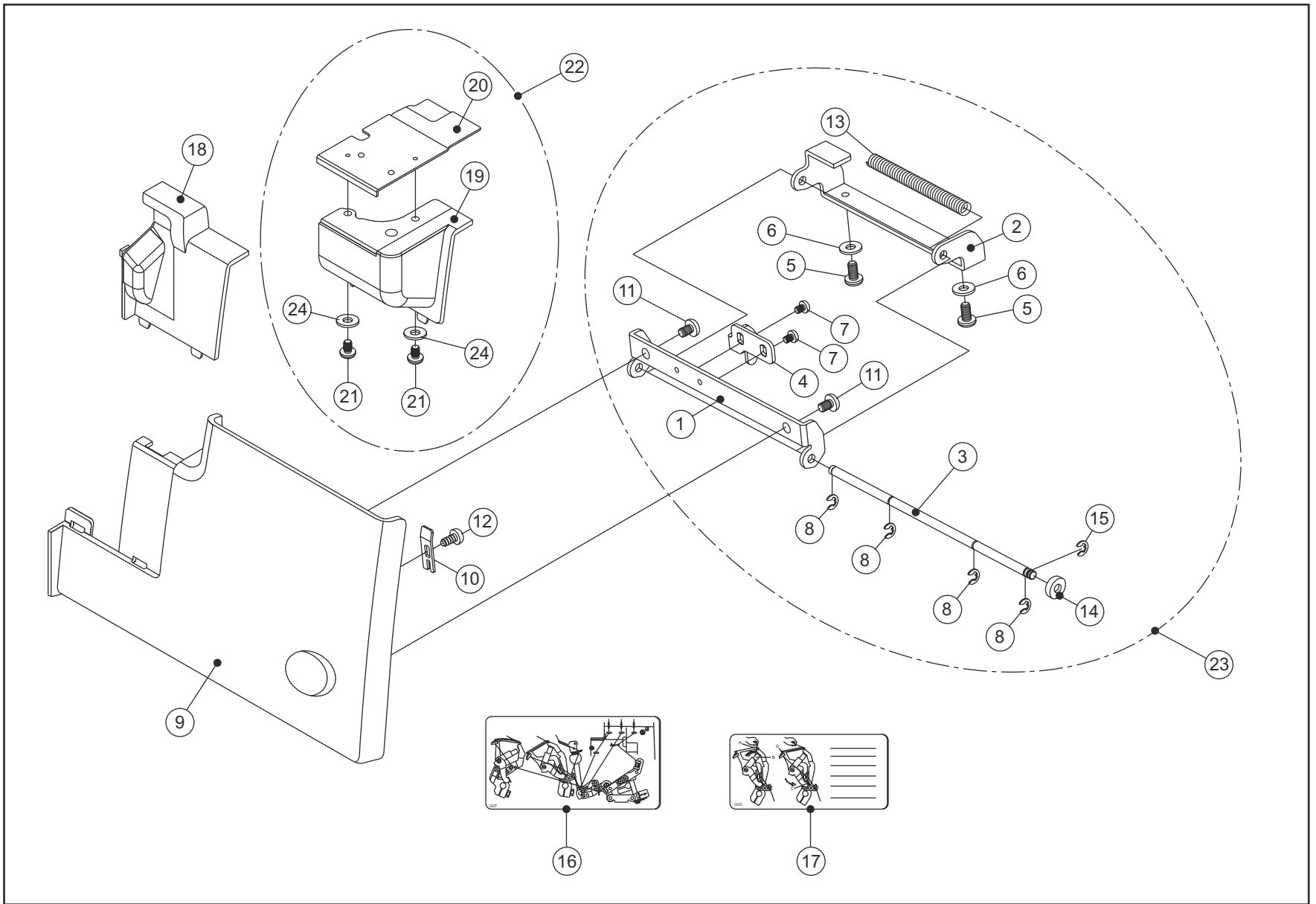
1. Front cover / Bulb cover

<u>No.</u>	<u>Parts No.</u>	<u>Parts Name</u>
1	G1222P003A	Front cover (No. 1.2.3.4.5.6.7.10.11.16.17.19.20 included)
2	G2050	Thread take-up cover
3	G1166	Thread guide (B)
4	G1280	Thread guide (C)
5	C10071004	Thread guide (F)
6	B10241004	Thread guide (D)
7	G6052	Lower looper thread guide (A)
8	W04F10A06	Washer
9	M04L08A06	Set screw
10	G1138	Front cover fixing board
11	M03L08C02	Set screw
12	G1221-567	Bulb cover
13	G2068	Lamp cover heatout plate
14	M03L06I04	Set screw
15	W03F07A06	Washer
16	A11481499	Color sticker (brown)
17	A11481235	Color sticker (red)
18	M04L4.5A04	Set screw
19	G5017	Warning sticker
20	A11481250	Color sticker (green)



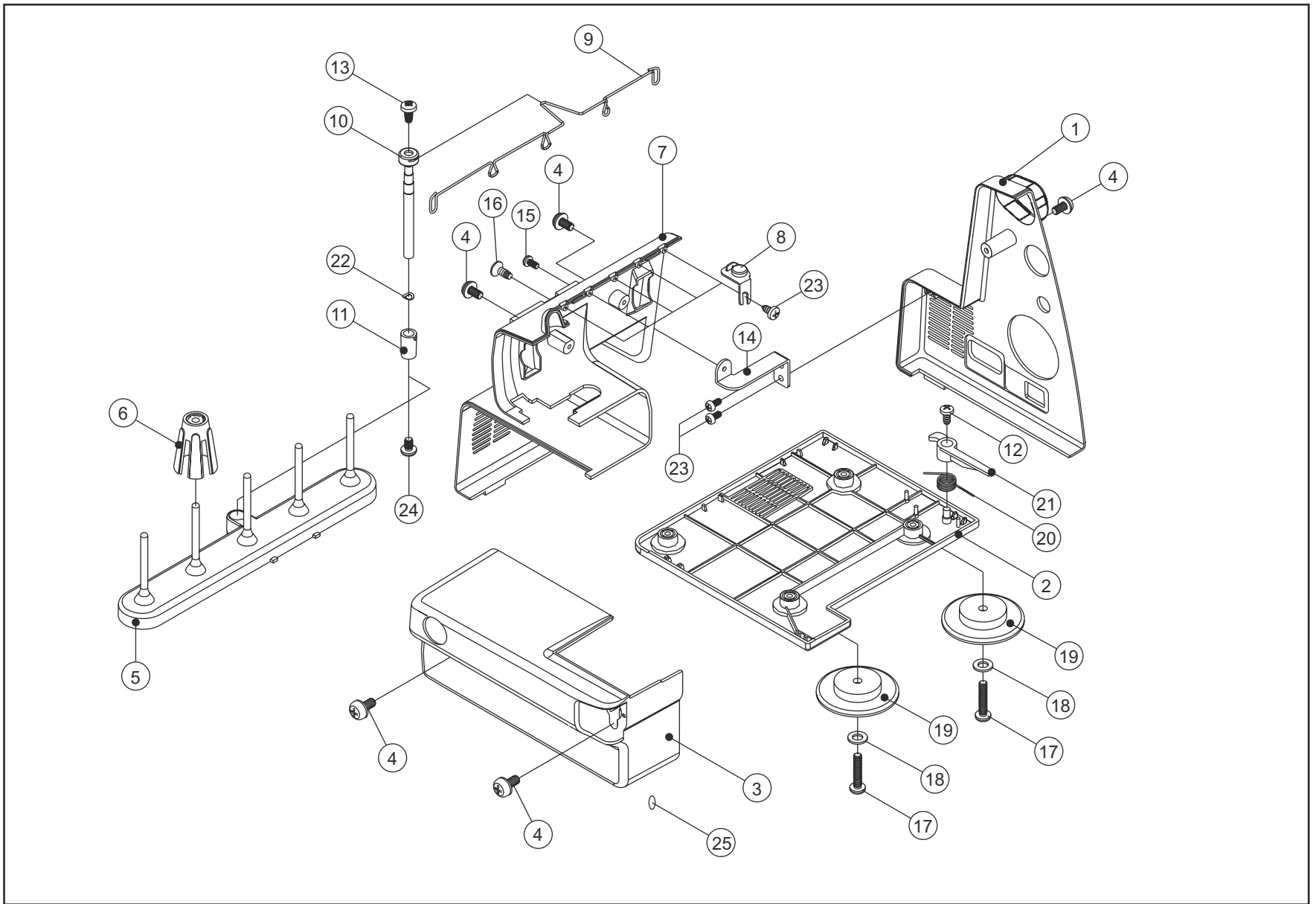
2. Auto tension dial

<u>No.</u>	<u>Parts No.</u>	<u>Parts Name</u>	<u>No.</u>	<u>Parts No.</u>	<u>Parts Name</u>
1	G6010-567A	Tension fine tuning dial set	23	M04L4.5A04	Set screw
2	E04T06A04	E ring	24	G6048	Spring
3	G6009	Tension fine tuning gear	25	G6038	Spring
4	G6032	ring	26	M04L04E01	Set screw
5	G6027	Tension regulate gear	27	G6022	Tension cam shaft
6	G6026	Tension regulate Nut	28	C08T08A01	C ring
7	G6035	Tension spring	29	G6020	Restoring plate (B)
8	G6025	Tension disc	30	G6033	Restoring plate bushing
9	W06F14A06	Washer	31	G6043	Tension cam (A)
10	M04L05A06	Set screw	32	G6044	Tension cam (B)
11	G6010-567	Tension fine tuning dial	33	G6045	Tension cam (C)
12	G6028	spring	34	G6046	Tension cam (D)
13	G3012-A01	Tension dial holder set	35	G6047	Tension cam (E)
14	G6024P001	Auto tension dial selection	36	G6034	Restoring gear
15	M03L04A03	Set screw	37	G6017	Tension gear
16	G6021	Auto tension dial selection shaft holder	38	G6018	Restoring plate (A)
17	G6016	Tension fixed gear	39	G6019	Restoring regulate plate
18	G6014-A	Tension dial holder	40	M03L07L01	Set screw
19	G6013	Tension transmitting arm	41	M03H02E06	Nut
20	M04L08A06	Set screw	42	M03L03A03	Set screw
21	G6036	Tension restoring plate			
22	G6037	Set screw			



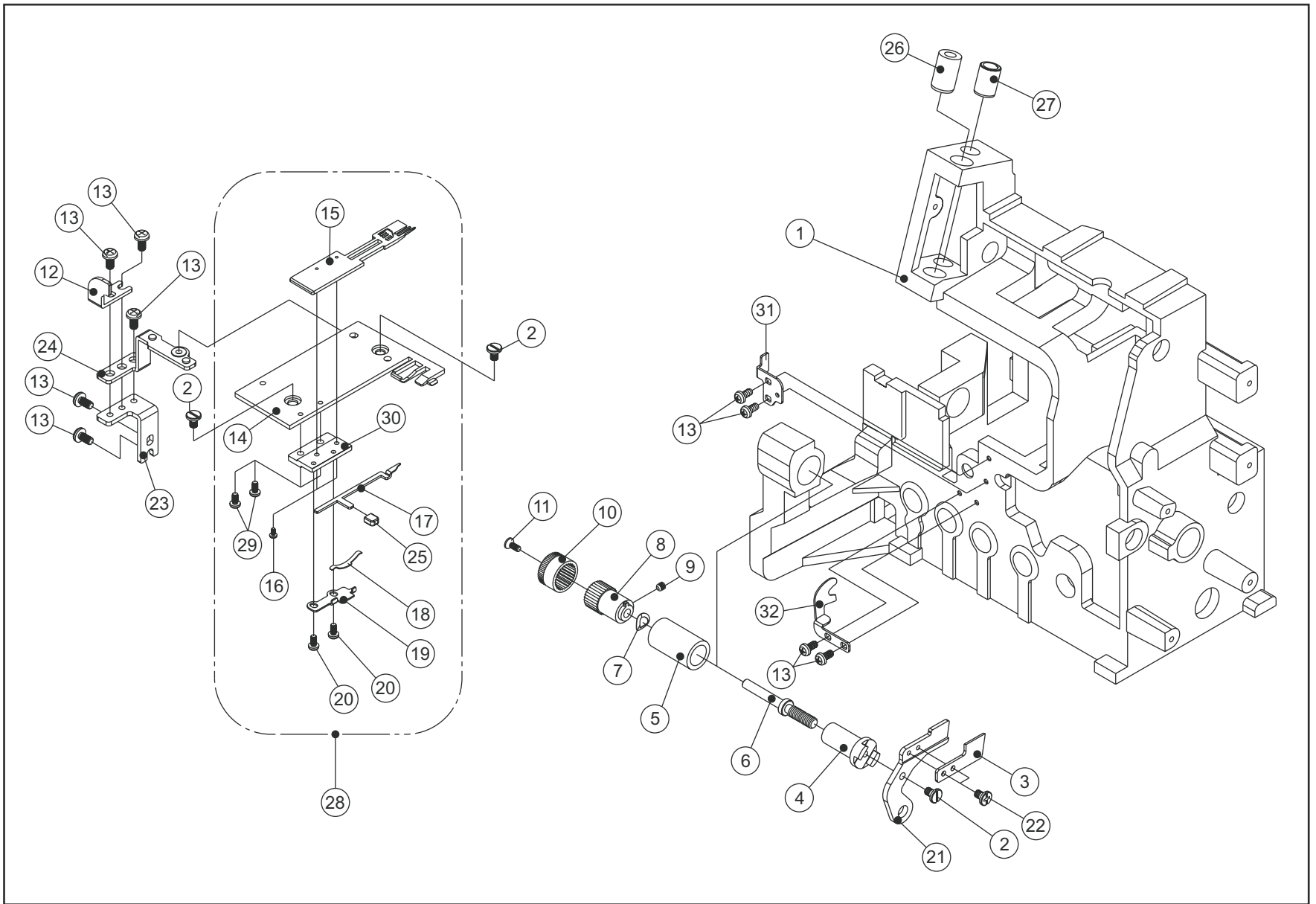
3. Looper cover

<u>No.</u>	<u>Parts No.</u>	<u>Parts Name</u>
1	G1202	Looper cover hinge (A)
2	G1201	Looper cover hinge (B)
3	G1204	Looper cover hinge shaft
4	G1203	Hinge locating board
5	M04L08A06	Set screw
6	W04F10A06	Washer
7	M03L04A03	Set screw
8	E03T06A04	E ring
9	G1214-567	Looper cover
10	B10271004	Looper cover setting plate
11	M04L10C06	Set screw
12	M03L08C02	Set screw
13	A11061001	Looper cover hinge spring
14	G1211	Connecting press plate
15	E03T06C04	E ring
16	G1091	Thread guide sticker (G07)
17	G5016	Thread guide sticker (G03)
18	G1215P001	Looper cover attached cover (A)
19	G1216-567	Looper cover attached cover (B)
20	G1217	Looper cover attached cover (B) guide plate
21	M03L03A03	Set screw
22	G1216A	Looper cover attached cover (B) set
23	G12014	Looper cover hinge set
24	W03F07A06	Washer



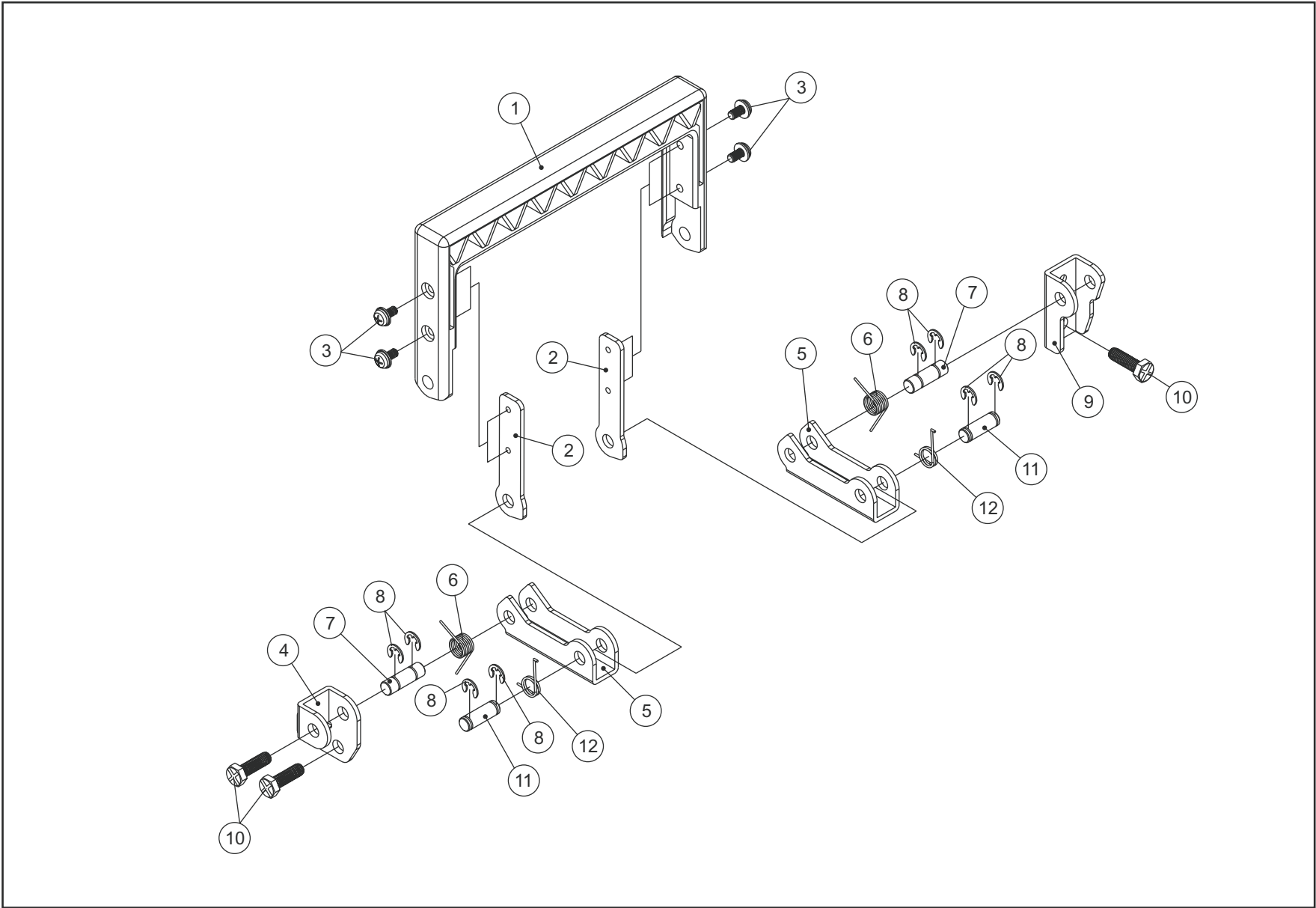
4. Side cover / Base plate / Extension table / Back cover / Thread guide bar / Spool stand

<u>No.</u>	<u>Parts No.</u>	<u>Parts Name</u>
1	G1223-567	Side cover
2	G1227-567	Base plate
3	G4003-567	Extension table
4	M04L10W08	Set screw
5	G1220-567	Spool stand
6	A1V011567	Cone holder
7	G1212-567	Back cover
8	G12842	Thread guide plate
9	G1252	Thread guide bar
10	B10422000	Extension bar
11	G1228-567	Extension bar setting
12	M03L08C02	Set screw
13	M04L08C04	Set screw
14	G1139	Side cover setting board
15	M03L06I04	Set screw
16	M04L12K04	Set screw
17	M04L22B06	Set screw
18	W04F10A06	Washer
19	A11251000	Rubber
20	G1208	Micro switch contactor spring
21	G1207	Micro switch contactor
22	W05W09A01	Wave washer
23	M03L08C02	Set screw
24	M04L12W08	Set screw
25	A11481235	Color sticker (red)



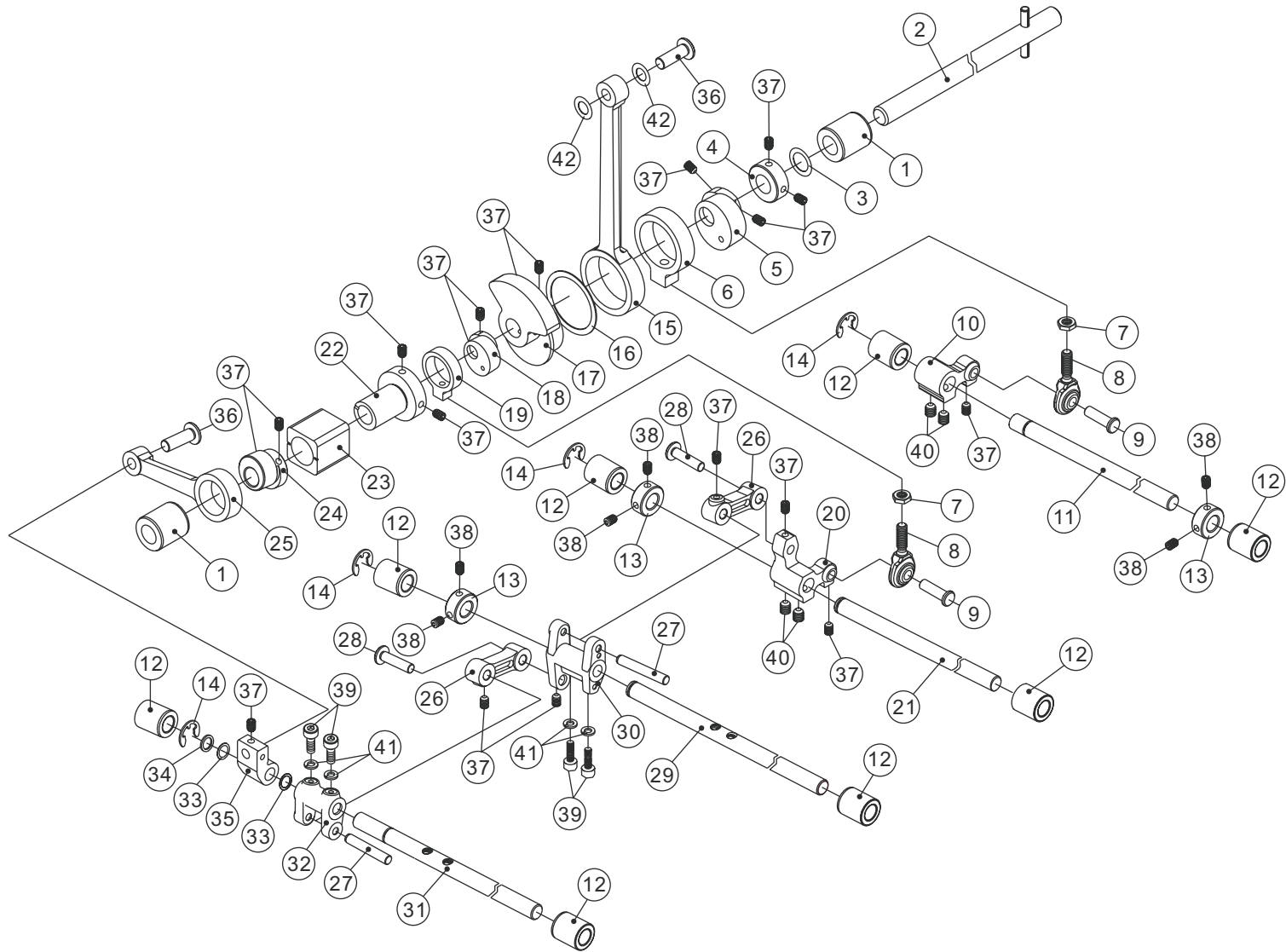
5. Machine frame / Lower knife / Stitch plate

<u>No.</u>	<u>Parts No.</u>	<u>Parts Name</u>	<u>No.</u>	<u>Parts No.</u>	<u>Parts Name</u>
1	G1002	Machine frame	18	G1289	Locating spring
2	G1279	Set screw	19	G1132	Moving lever holder
3	G1075	Lower knife	20	M03L03A03	Set screw
4	G1072	Lower knife holder	21	G1245	Lower knife support
5	G1244	Lower knife holder bushing	22	M03L04A03	Set screw
6	G1135	Cutting width knob shaft	23	G1156	Needle plate locating board support
7	W05W09A01	Wave washer	24	G1155	Needle plate locating board
8	G2055	Cutting width knob	25	B10141567	Moving lever cover
9	M04L04E01	Set screw	26	A10371000	Needle bar bushing
10	B1059B002	Lower knife dial	27	G1265	Presser bar bushing
11	M03L06I04	Set screw	28	G1067A	Stitch plate set (No. 14.15.16.17.18. 19.20.25.29.30 included)
12	G1283	Front feed dog guide board			
13	M04L08A06	Set screw	29	M03L05A03	Set screw
14	G1067	Stitch plate	30	G2091	Fixed board
15	G1041	Fixed lever	31	G1154	Feed dog holder guide board (rear)
16	M02L04I04	Set screw	32	G1153	Feed dog holder guide board (front)
17	G1068	Moving lever			



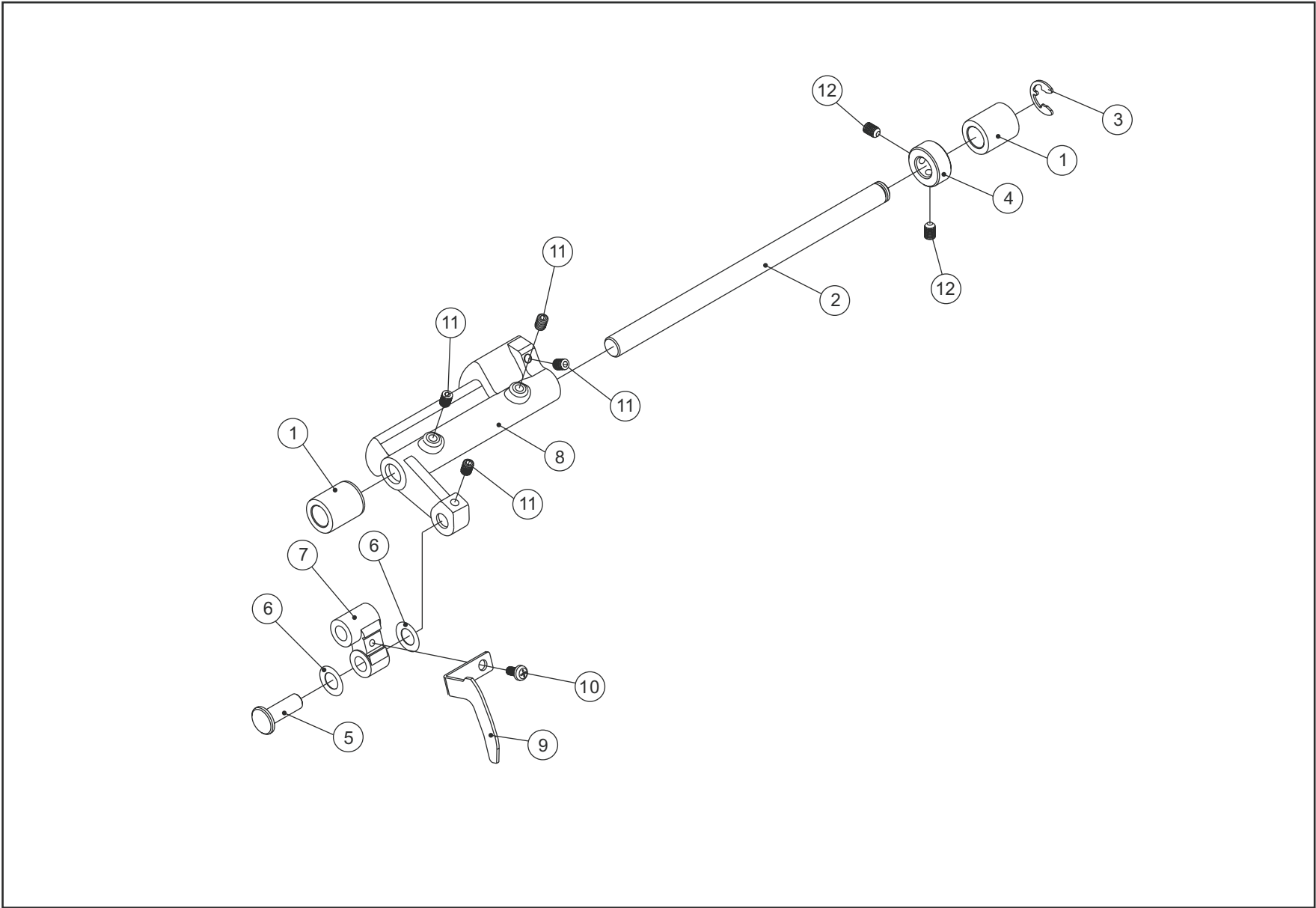
6. Handle holder

<u>No.</u>	<u>Parts No.</u>	<u>Parts Name</u>
1	G1195-567	Handle
2	G1194	Handle holder
3	M03L08I04	Set screw
4	G1196	Handle supporter (A)
5	G1192	Handle link
6	G1197	Handle spring (B)
7	G1200	Handle link pin (B)
8	E04T06A04	E ring
9	G1193	Handle supporter (B)
10	M05L08M02	Set screw
11	G1198	Handle link pin (A)
12	G1199	Handle spring (A)



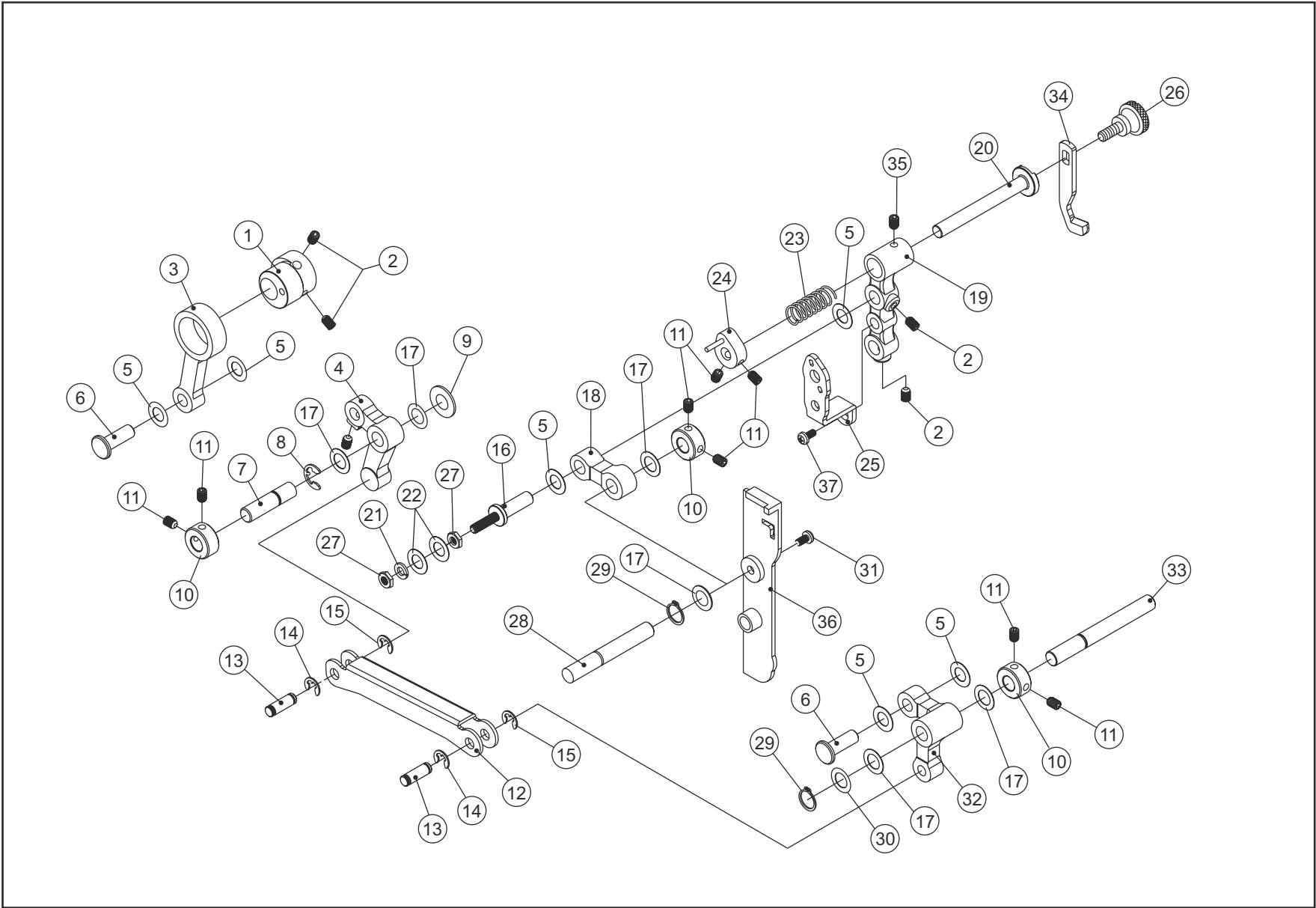
7. Main shaft

<u>No.</u>	<u>Parts No.</u>	<u>Parts Name</u>	<u>No.</u>	<u>Parts No.</u>	<u>Parts Name</u>
1	A10351000	Main shaft bushing	25	G3015	Cover stitch link
2	G10602	Main shaft set	26	G1012	Waver link bar
3	W10T15A00	Washer	27	G1031	Waver link bar pin (B)
4	A10951001	Setting collar	28	G1013	Waver link bar pin (A)
5	A11571000	Looper cam (A)	29	G3017	Lower looper shaft
6	A10071000	Looper link	30	G3014	Lower looper shaft link (B)
7	M05H38A06	Nut	31	G3018	Cover stitch shaft
8	A11241000	Bearing	32	G1016	Waver stitch shaking arm
9	A10791000	Looper shaft link pin	33	W08T12A00	Washer
10	G1032	Looper shaft link	34	W08F12A01	Washer
11	G1062	Upper looper shaft	35	G3016	Shaft driving support
12	G1040	Looper shaft bushing	36	A10831000	Feed dog link pin (B)
13	A10961001	Setting collar	37	M04L06E01	Set screw
14	E06T08A04	E ring	38	M04L04E01	Set screw
15	G1037	Needle bar connecting bar	39	M04L12F01	Set screw
16	W28T34A00	Washer	40	M05L06E01	Set screw
17	G1034	Needle bar cam	41	W04S13A06	Washer
18	G1035	Lower looper cam	42	W06T11A00	Washer
19	G1029	Looper link (B)			
20	G1011	Looper shaft link			
21	G1058	Cover stitch driving shaft			
22	G1042	Feed dog cam			
23	G1043	Feed dog supporter slide block			
24	G1036	Cover stitch looper cam			



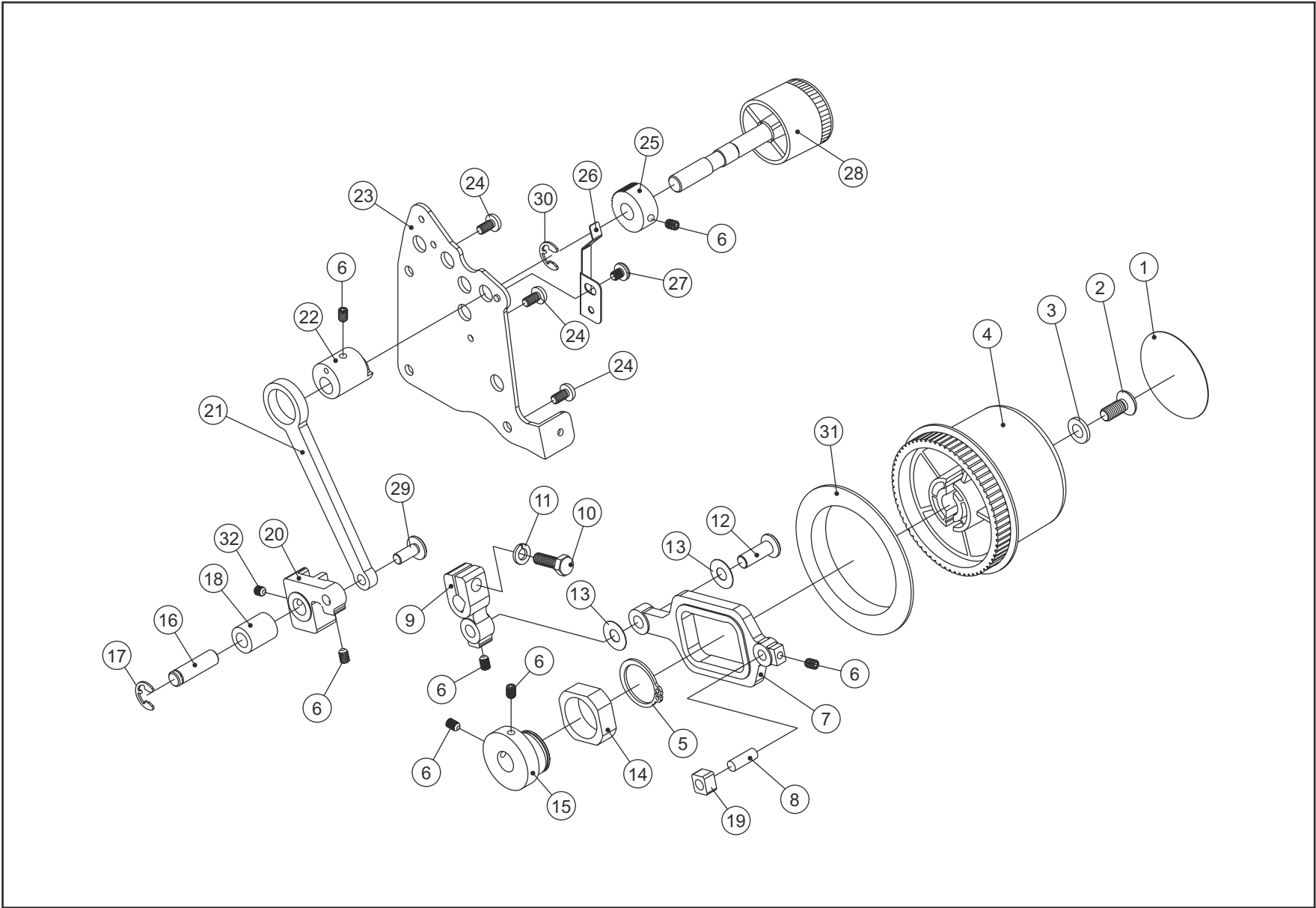
8. Needle bar connecting arm

<u>No.</u>	<u>Parts No.</u>	<u>Parts Name</u>
1	G1040	Looper shaft bushing
2	G1170	Needle bar link shaft
3	E06T08A04	E ring
4	A10961001	Setting collar
5	A10831000	Feed drive link pin (B)
6	W06T11A00	Washer
7	G1089	Needle bar connecting arm
8	G1087	Needle bar crank
9	G2056	Needle bar thread take-up lever
10	M03L06I04	Set screw
11	M04L06E01	Set screw
12	M04L04E01	Set screw



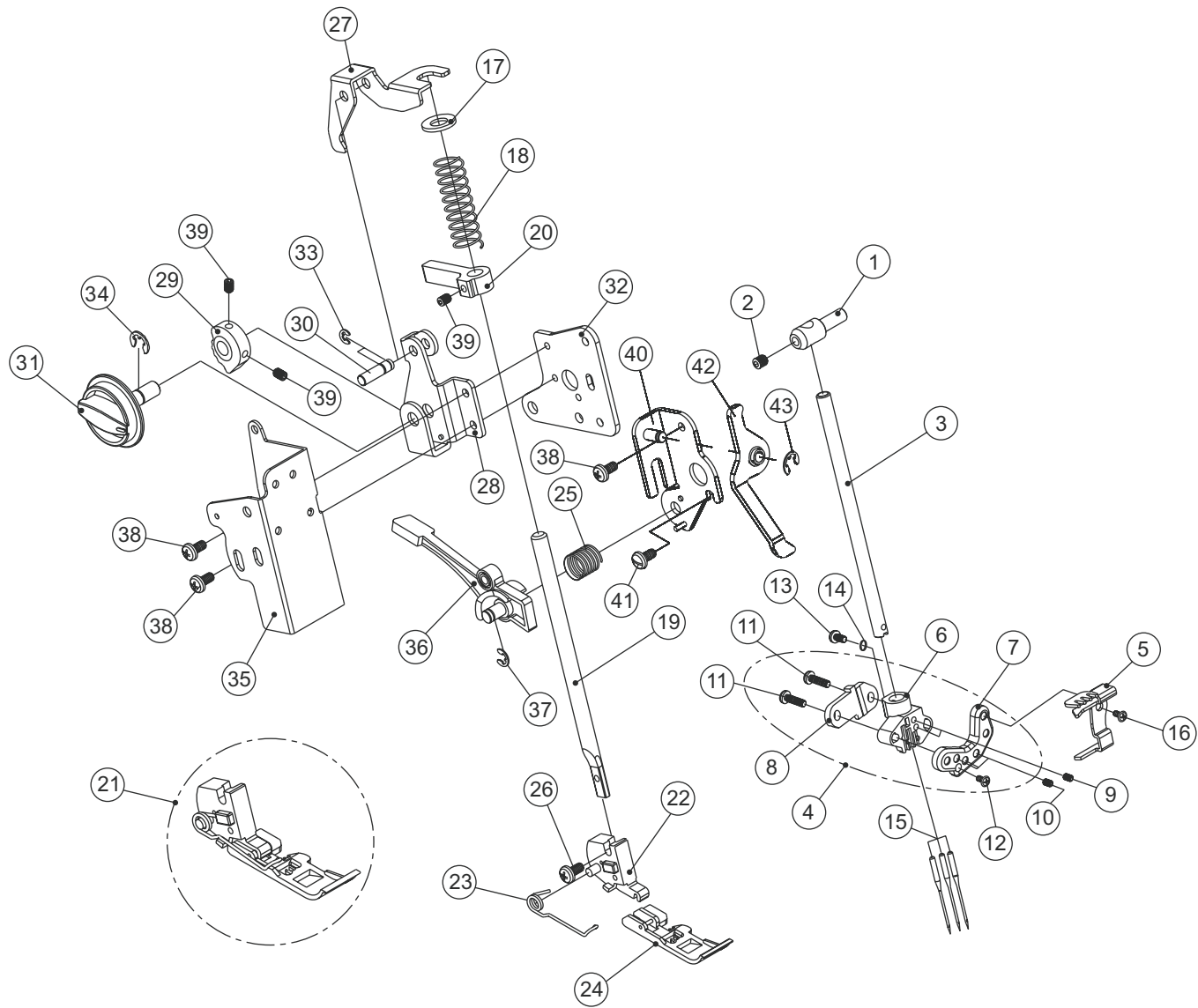
9. Upper knife

<u>No.</u>	<u>Parts No.</u>	<u>Parts Name</u>	<u>No.</u>	<u>Parts No.</u>	<u>Parts Name</u>
1	G1084	Upper knife cam	20	G2035	Upper knife holder
2	M04L06E01	Set screw	21	W04S13A06	Spring washer
3	G1081	Upper knife shake link	22	W04F10A06	Washer
4	G1082	Upper knife shake arm	23	G1140	Upper knife spring
5	W06T11A00	Washer	24	G11412	Upper knife setting collar
6	A10831000	Feed drive link pin (B)	25	G1142	Upper knife holder support
7	G1225	Upper knife shake arm shaft	26	G1206	Set screw
8	E06T08A04	E ring	27	M04H30A03	Nut
9	W07F15A06	Washer	28	G1133	Upper knife arm support bar shaft
10	A10941001	Setting collar	29	C07T08A01	C ring
11	M04L04E01	Set screw	30	W07F12A01	Washer
12	G1083	Upper knife link	31	M03L06I04	Set screw
13	G1236	Upper knife link pin	32	G1078	Upper knife arm drive arm
14	E04T06A04	E ring	33	G1146	Upper knife shake arm shaft
15	E04T06C04	E ring	34	G1076	Upper knife
16	G1143	Upper knife arm shaft	35	M03L04L01	Set screw
17	W07T12A00	Washer	36	G1229-567	Upper knife set cover
18	G1073	Upper knife arm support bar	37	M04L08A06	Set screw
19	G1074	Upper knife arm			



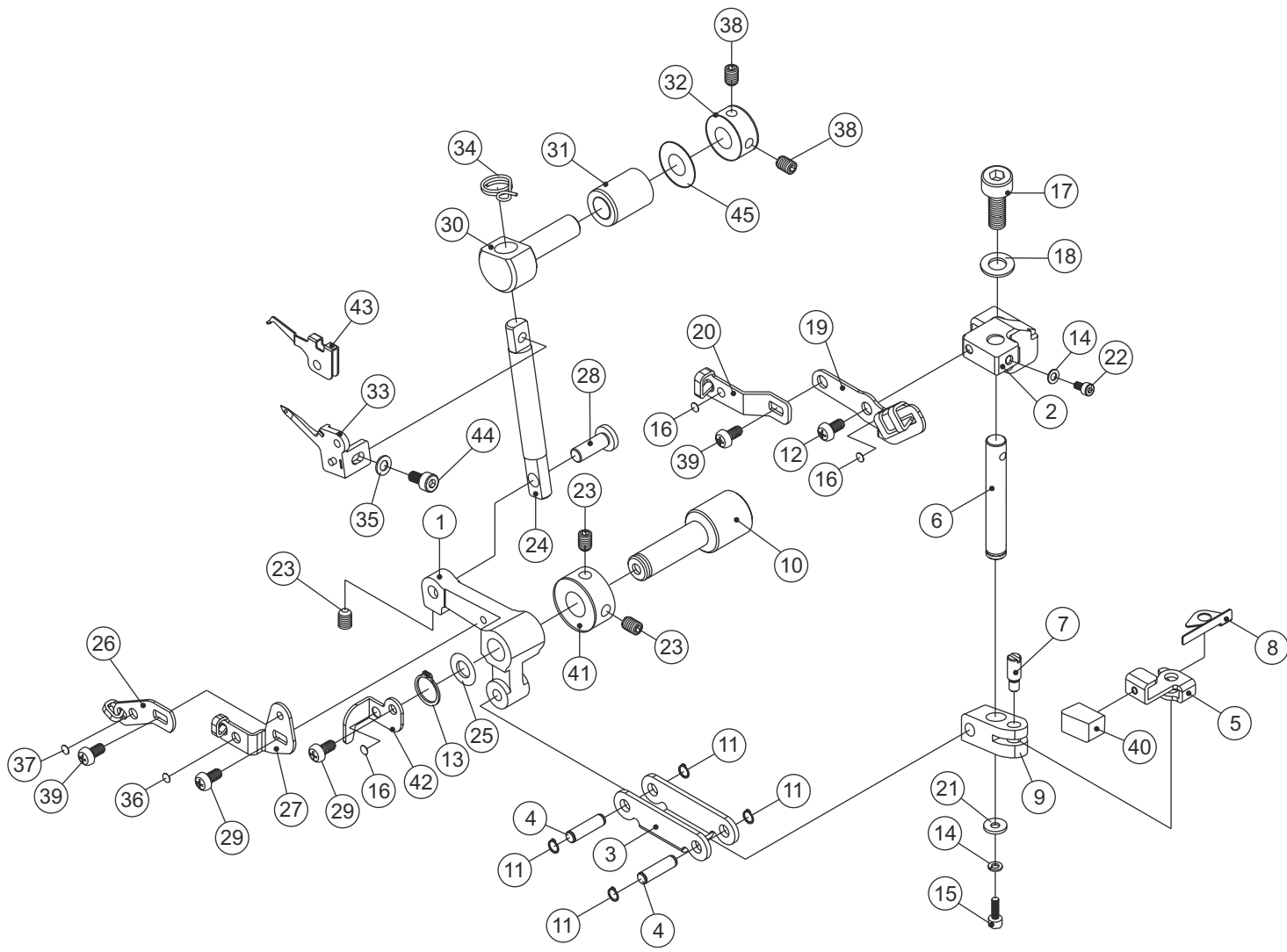
10. Handwheel / Stitch length dial

<u>No.</u>	<u>Parts No.</u>	<u>Parts Name</u>	<u>No.</u>	<u>Parts No.</u>	<u>Parts Name</u>
1	A11151211	Handwheel decorate plate	18	A10411000	Feed regulate holder bushing
2	M06L12I06	Set screw	19	G1099	Feed slide block
3	W06F19A06	Washer	20	G1098	Feed slide holder
4	A11401567	Handwheel	21	A10121000	Feed regulate link
5	C20T12A01	C ring	22	G1090	Feed regulate cam
6	M04L06E01	Set screw	23	G2031	Feed regulate holder
7	A10171000	Feed drive link	24	M04L08A06	Set screw
8	A10821000	Feed drive link pin (A)	25	G1268	Locating collar
9	G1159	Feed link	26	G1257	Locating spring
10	M05L15M02	Set screw	27	M04L4.5A04	Set screw
11	W05S13A06	Spring washer	28	G1104P001	Stitch length dial
12	A10831000	Feed drive link pin (B)	29	A10741000	Feed regulate link pin
13	W06T11A00	Washer	30	E06T08A04	E ring
14	A10161000	Feed cam slide block	31	B10651567	Handwheel setting collar
15	A10181000	Feed cam	32	M04L04E01	Set screw
16	A10861001	Feed regulate holder shaft			
17	E05T06A04	E ring			



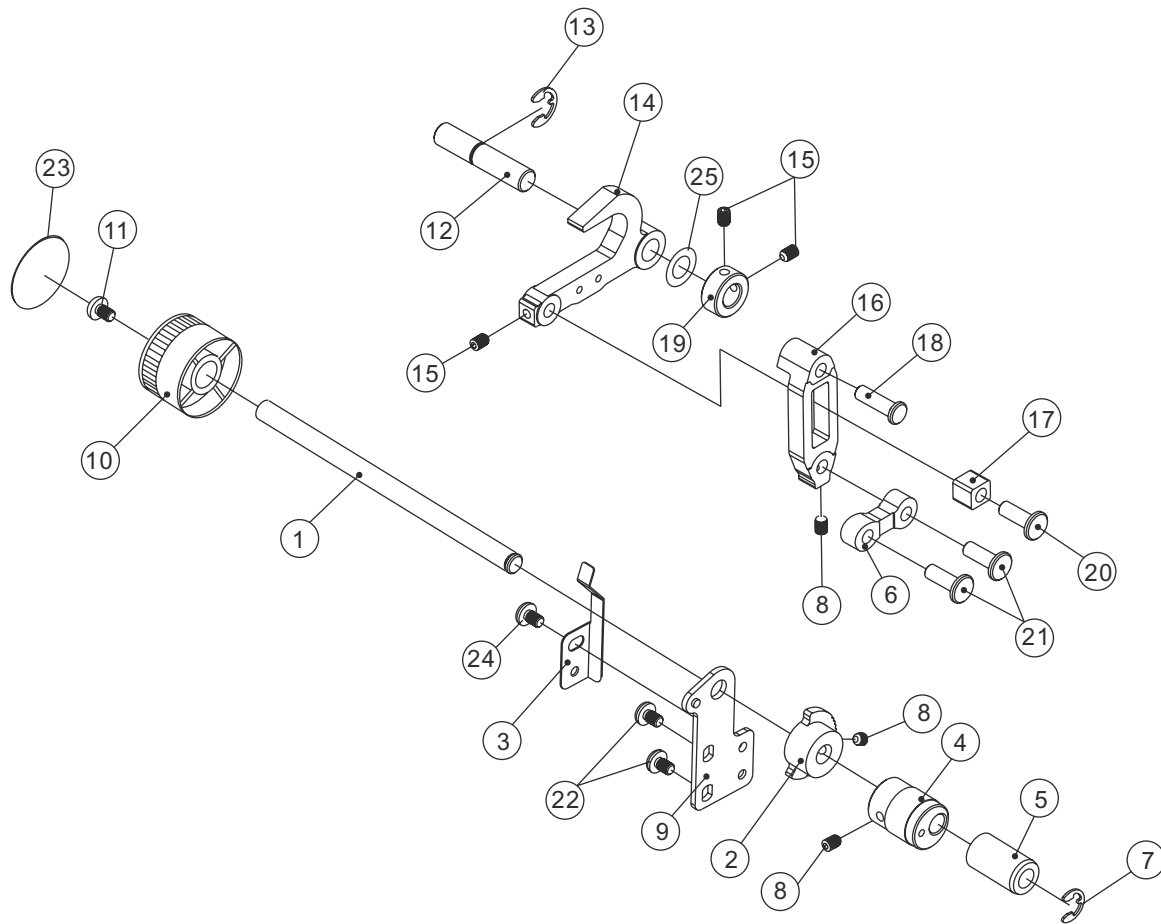
11. Needle bar / Presser bar / Presser foot

<u>No.</u>	<u>Parts No.</u>	<u>Parts Name</u>	<u>No.</u>	<u>Parts No.</u>	<u>Parts Name</u>
1	G1088	Needle bar setting link	22	A1A021004	Presser foot holder
2	M05L06E01	Set screw	23	G1022	Presser foot spring
3	G1286	Needle bar	24	G1288	Presser foot
4	G12462	Needle clamp complete set	25	G2020	Presser bar lifter spring
5	G1249	Needle clamp thread guide	26	096408A04	Set screw
6	G1246	Needle clamp	27	G1185	Needle bar locate board
7	G1247	Needle clamp lower board	28	G1186	Needle bar locate support
8	G1248	Needle clamp upper board	29	G1187	Needle bar locate cam
9	M03L05H01	Set screw	30	G1188	Needle bar locate pin
10	M03L04H01	Set screw	31	G11902567	Presser bar dial
11	M03L14B03	Set screw	32	G2015	Support setting board
12	M02L04I04	Set screw	33	E04T06A04	E ring
13	010807A03	Set screw	34	E06T08A04	E ring
14	W03S13I04	Washer	35	G1191	Bulb holder
15	A1K044000	Needle	36	G1298	Presser bar lifter
16	M03L06I04	Set screw	37	E05T06A04	E ring
17	W07F15A06	Washer	38	M04L08A06	Set screw
18	G2066	Presser bar spring	39	M04L06E01	Set screw
19	G1266	Presser bar	40	G60302	Presser bar lifter holder
20	G2016	Presser bar setting link	41	G1279	Set screw
21	G12882	Presser foot complete set	42	G60312	Release plate
			43	E03T06A04	E ring



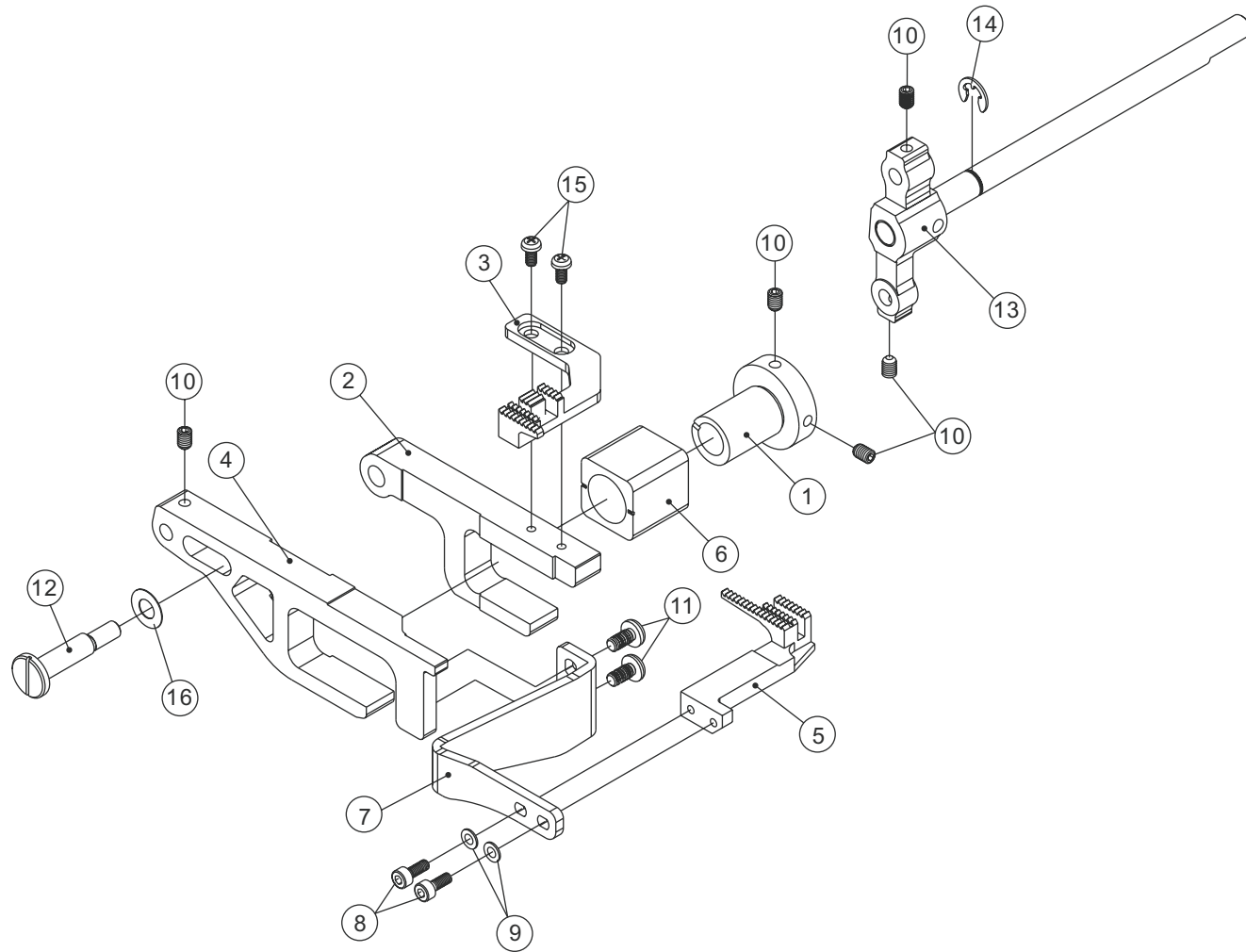
12. Upper looper

No.	Parts No.	Parts Name	No.	Parts No.	Parts Name
1	G1005	Upper looper connecting arm	24	G1263	Slide shaft
2	G1003	Waver supporter	25	W08F12A02	Washer
3	G1004	Waver slide block link	26	G1239	Upper looper thread take-up lever
4	G1015	Waver slide block pin	27	G1254	Lower looper thread take-up lever
5	G1006	Waver slide block	28	G1296	Slide shaft pin
6	G1007	Waver shaft	29	M03L06I04	Set screw
7	G1008	Waver slide block pin	30	G1085	Slide shaft holder
8	G1009	Waver slide block locating spring	31	G1086	Slide shaft holder bushing
9	G1010	Waver slide block	32	A10941001	Setting collar
10	G1061	Slide shaft holder	33	G1261	Upper looper
11	C04T04A01	C ring	34	G1271	Upper looper threading guide
12	M04L4.5A04	Set screw	35	W03F07B03	Washer
13	C08T08A01	C ring	36	A11481235	Color sticker (red)
14	W03S13I04	Washer	37	A11481250	Color sticker (green)
15	M03L06F01	Set screw	38	M04L04E01	Set screw
16	A11481499	Color sticker (brown)	39	M03L03A03	Set screw
17	M05L16F01	Set screw	40	G1080	Locating board cover
18	W05S13A06	Washer	41	A10961001	Setting collar
19	G1253	Cover stitch looper thread take-up lever (A)	42	G1030	Cover stitch looper thread take-up (A)
20	G1267	Cover stitch looper thread take-up lever (B)	43	G1303	Two thread converter
21	G1017	Washer	44	M03L08F01	Set screw
22	M03L10F01	Set screw	45	W07T12A00	Washer
23	M04L06E01	Set screw			



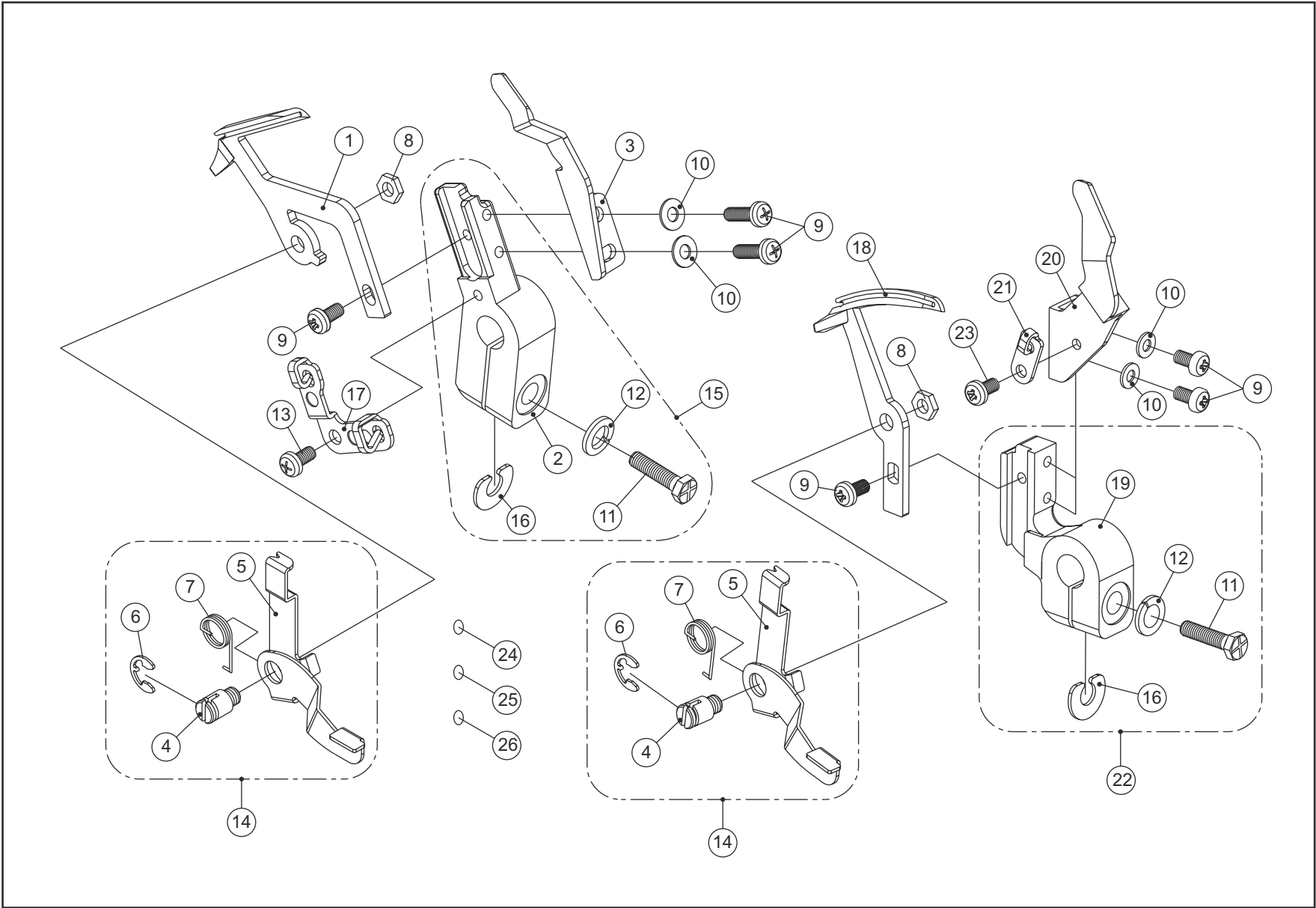
13. Differential feed

<u>No.</u>	<u>Parts No.</u>	<u>Parts Name</u>	<u>No.</u>	<u>Parts No.</u>	<u>Parts Name</u>
1	G1053	D.F. shaft	18	G1055	Feed dog holder pin
2	G1256	D.F. locating collar	19	A10961001	Setting collar
3	G1257	D.F. dial locating spring	20	A10791000	D.F. slide block pin
4	G1052	D.F. regulate cam	21	G1050	D.F. link pin
5	A4010-1	D.F. dial bushing	22	M04L08A06	Set screw
6	G1047	D.F. link bar	23	G1273	Dial cup
7	E05T06A04	E ring	24	M04L4.5A04	Set screw
8	M04L06E01	Set screw	25	W08T12A00	Washer
9	G1164	D.F. dial support			
10	G1272P001	D.F. dial			
11	M03L06I04	Set screw			
12	G1054	D.F. regulate shaft			
13	E06T08A04	E ring			
14	G1051	D.F. regulate support			
15	M04L04E01	Set screw			
16	G1045	D.F. slide support			
17	G1046	D.F. slide block			



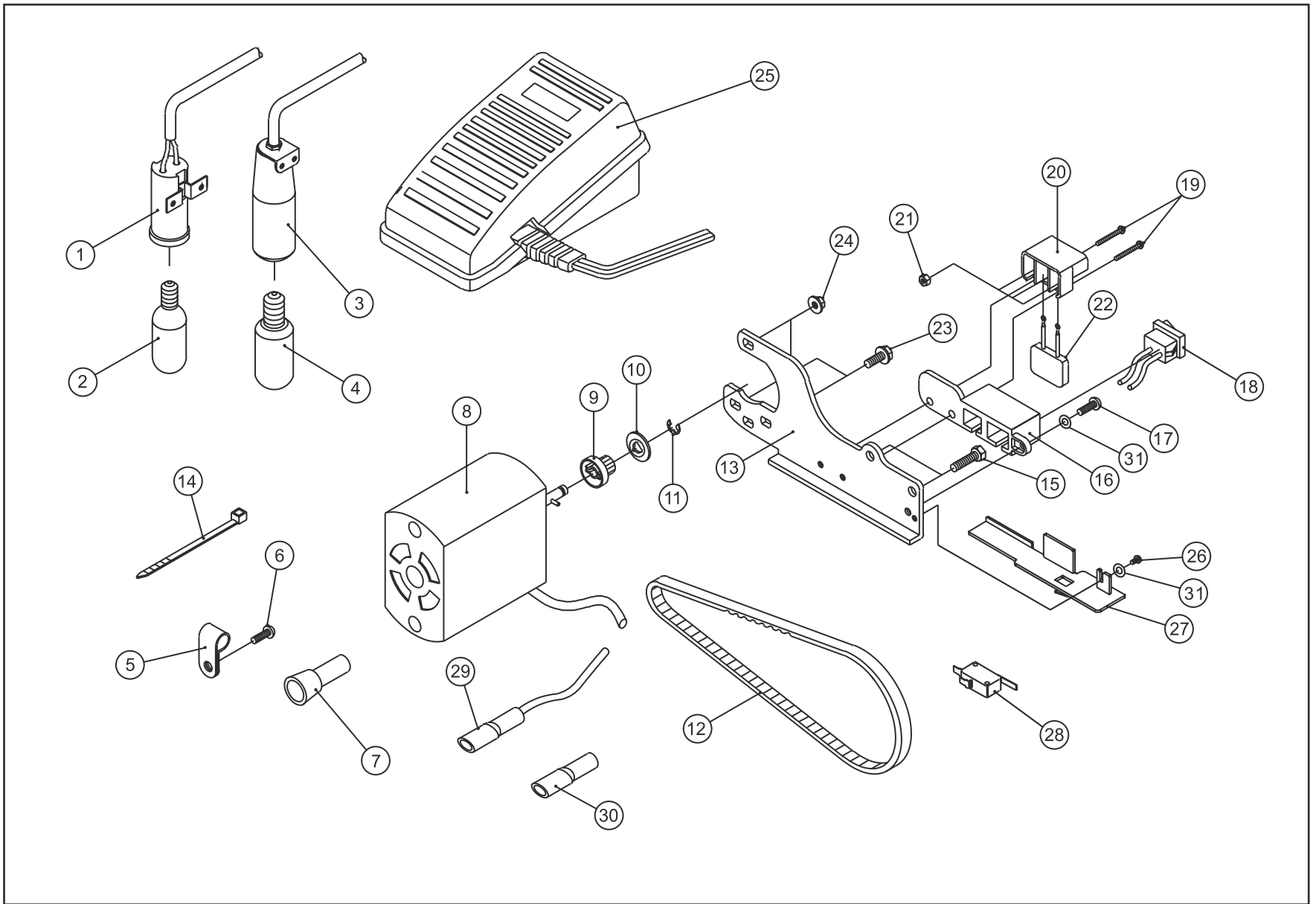
14. Feed dog

<u>No.</u>	<u>Parts No.</u>	<u>Parts Name</u>
1	G1042	Feed dog cam
2	G1044	Feed dog holder (rear)
3	G1065	Feed dog (rear)
4	G1049	Feed dog holder (front)
5	G1066	Feed dog (front)
6	G1043	Feed dog supporter slide block
7	G1069	Feed dog supporter (front)
8	M03L08F01	Set screw
9	W03F07B03	Washer
10	M04L06E01	Set screw
11	M04L08A02	Set screw
12	G1056	Feed dog holder pin
13	G10482	Feed dog shaking rod complete set
14	E07T08A04	E ring
15	M03L08I01	Set screw
16	W06T13A00	Washer



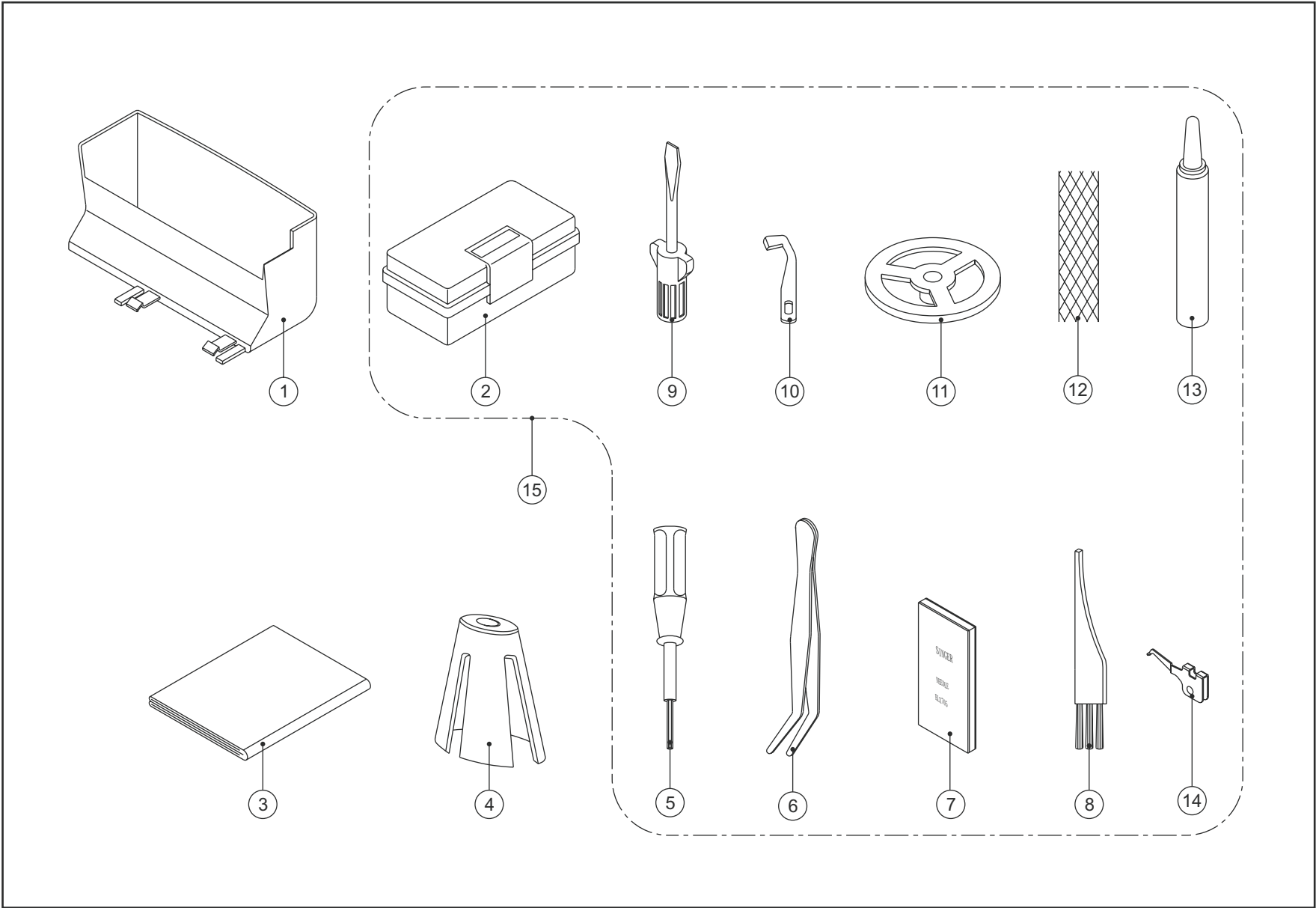
15. Lower looper / Cover stitch looper / Auto threader

<u>No.</u>	<u>Parts No.</u>	<u>Parts Name</u>
1	G1152	Lower looper
2	G1151	Lower looper supporter
3	G1260	Lower looper protect board
4	G1149	Auto threader shaft
5	G1148	Auto threader
6	E04T06A04	E ring
7	A30051001	Auto threader spring
8	G2069	Nut
9	M03L08I01	Set screw
10	W03F07B03	Washer
11	M05L18M02	Set screw
12	W05S13A06	Spring washer
13	M03L06I04	Set screw
14	G11482	Auto threader complete set
15	G11512	Lower looper supporter set
16	G1287	Washer
17	G1270	Lower looper thread guide
18	G1070	Cover stitch looper
19	G1071	Cover stitch looper supporter
20	G1259	Cover stitch looper protect board
21	G1269	Cover stitch looper thread guide
22	G10712	Cover stitch looper supporter set
23	M03L03A03	Set screw
24	A11481250	Color sticker (green)
25	A11481235	Color sticker (red)
26	A11481499	Color sticker (brown)



16. Electronic parts

No.	Parts No.	Parts Name	No.	Parts No.	Parts Name
1	EE003	Lighting set (100V)	16	A11431567	Switch supporter
1	EE001	Lighting set (120V)	17	M04L10A06	Set screw
2	EE0161000	Bulb (100V)	18	EE0112000	Switch
2	EE0171000	Bulb (120V)	19	M6837	Set screw
3	EE002	Lighting set (240V) (Available for 220V/230V/240V)	20	M6834Z	Machine socket
4	EE0181000	Bulb (240V) (Available for 220V/230V/240V)	21	M9828	Nut
5	EE0201000	HW(1/4) cord clip	22	KC98-18A	Condenser
	EE032	(HW(5/16) cord clip for 120V)	23	M9815A	Set screw
6	M04L08A06	Set screw	24	M6844A	Nut
7	EE0191000	C4 End terminal	25	4C-315A221	Foot controller (100v) Japan
8	3M-803A404	Motor (100V)	25	4C-316B22	Foot controller (120v) U.S.A.
8	KM-6390U	Motor (120V)	25	4C-326C22	Foot controller (220v) South Africa
8	WM-298I-9	Motor (220V~230V)	25	4C-316C24	Foot controller (220v) Korea
8	WM-298-9	Motor (240V)	25	4C-316C28	Foot controller (220v) the Middle East
9	A11411000	Timing belt pulley	25	4C-326G22	Foot controller (230v) Europe
10	A11421000	Timing belt pulley cover	25	4C-326C25	Foot controller (240v) U.K.
11	E04T06A04	E ring	25	4C-326C23	Foot controller (240v) Australia & New Zealand
12	A1O011000	Timing belt	26	M03L06I04	Set screw
13	A10881001	Motor supporter	27	G1238	Micro switch insulation plate
14	EE0112004	Cord clip	28	EE004	Micro switch
15	M05L15M02	Set screw	29	EE0501000	Terminal w/transparent insulation tube
			30	EE0511184	Terminal w/un-transparent insulation tube
			31	W04F10A06	Washer



17. Accessories

<u>No.</u>	<u>Parts No.</u>	<u>Parts Name</u>
1	G2064-567	Chip box
2	G2071	Accessory box
3	A1U011000	Dust cover
4	A1V011567	Cone holder
5	B1H011001	Hexagon driver
6	A1G011000	Tweezers
7	A1J053000	Needle x 5
8	A1I011000	Cleaning brush
9	A1F011211	Screw driver
10	G1076	Upper knife
11	A1C011567	Spool caps
12	A1L011000	Net
13	A1E011000	Oiler
14	G1303	Two thread converter
15	G2071E	Accessory box set (No.2.5.6.7. 8.9.10.11.12.13.14 included)