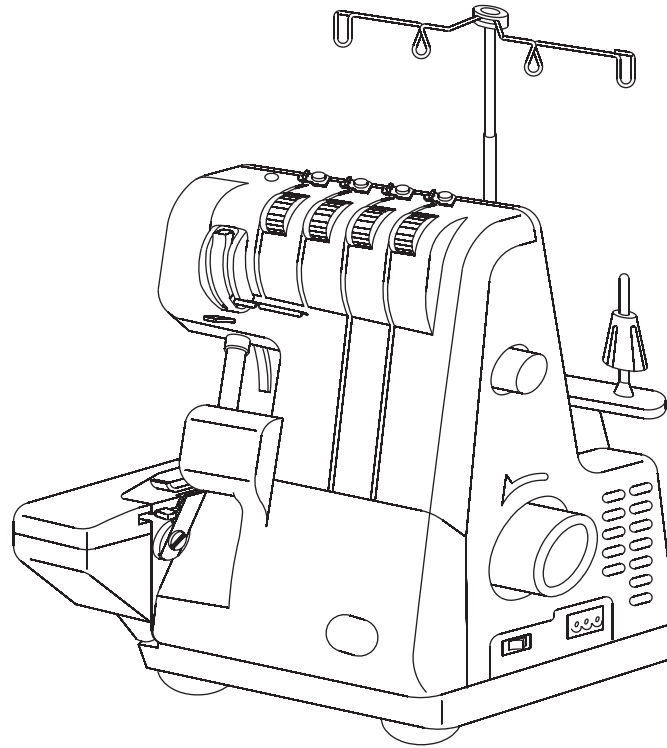
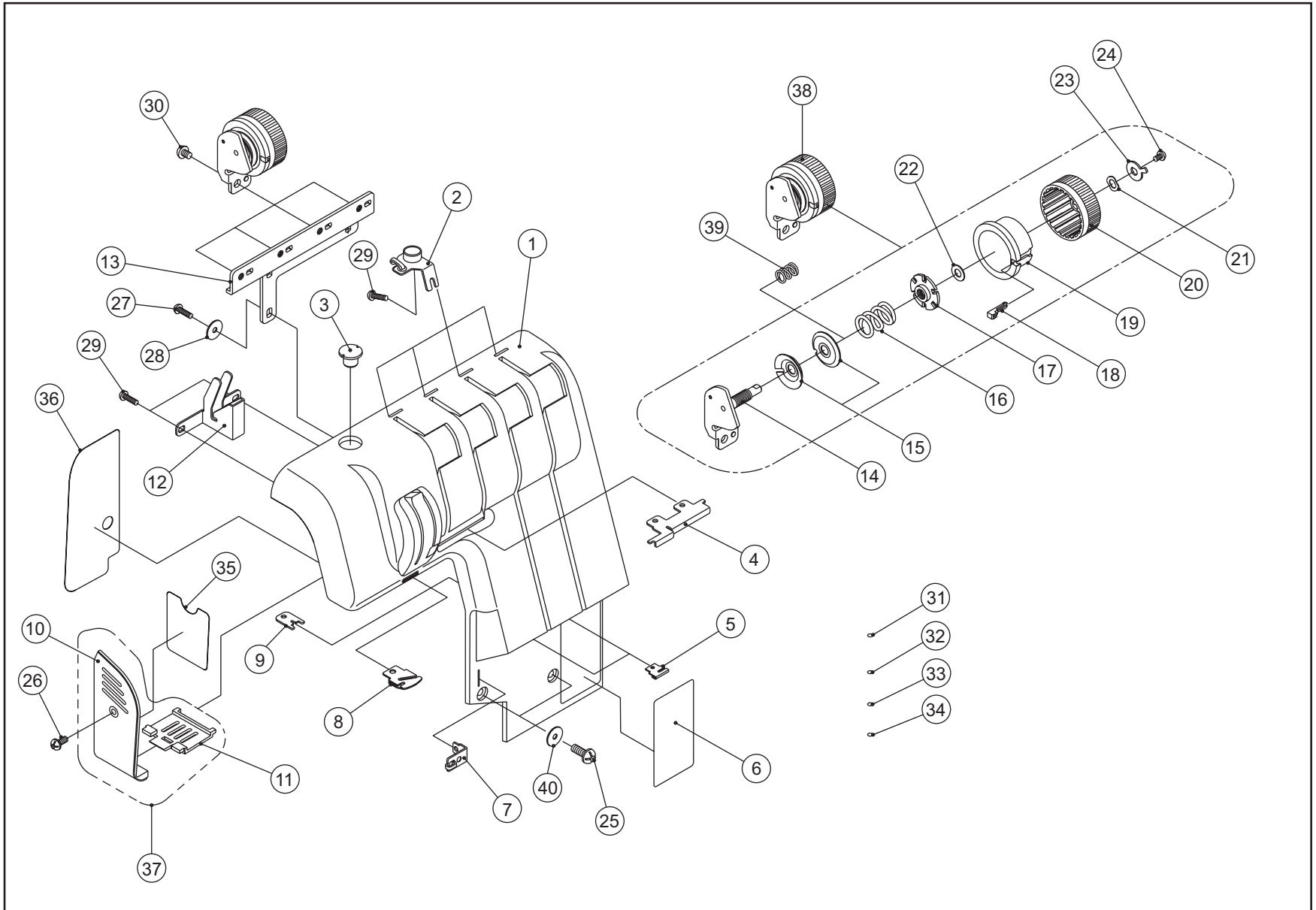


Parts List



CONTENTS

	PAGES
1. Front cover / Tension dial / Bulb cover.....	1, 2
2. Sewing table / Looper cover.....	3, 4
3. Side cover / Base plate / Accessory box / Extension table / Motor cover / Thread guide bar / Spool stand.....	5, 6
4. Machine frame / Lower knife / Stitch plate.....	7, 8
5. Main shaft / Upper knife.....	9,10
6. Handwheel / Stitch length dial.....	11,12
7. Needle bar / Presser bar / Presser foot.....	13,14
8. Upper looper / Lower looper.....	15,16
9. Feed dog.....	17,18
10. Differential feed (DF type only).....	19,20
11. Feed dog (DF type only).....	21,22
12. Lower looper auto threader (Auto threader type only).....	23,24
13. Electronic parts.....	25,26
14. Accessories.....	27,28

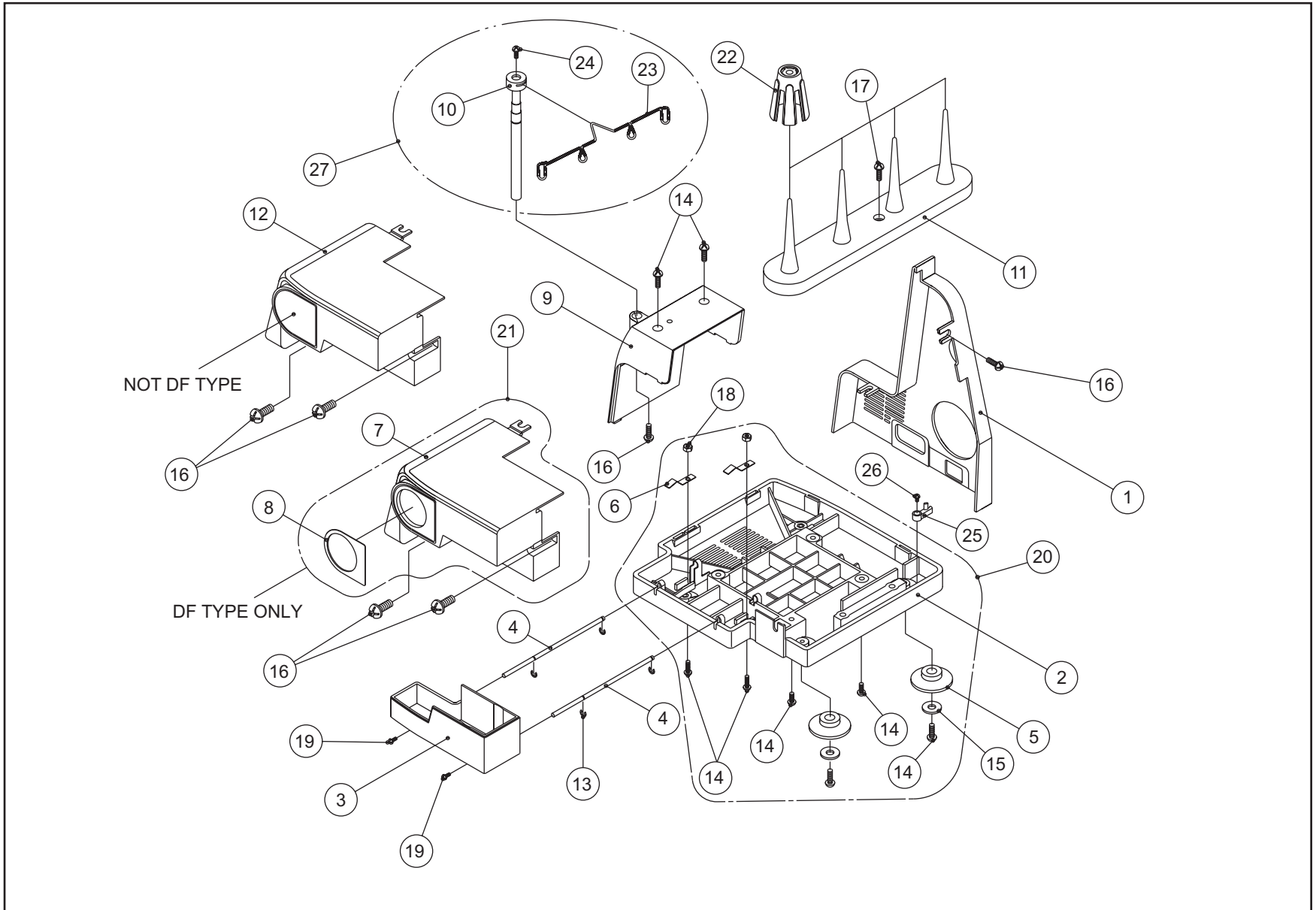


1. Front cover/Tension dial/Bulb cover

No.	Parts No.	Parts Name	No.	Parts No.	Parts Name
1	D10011567	Front cover (No. 1, 4, 5, 7, 8, 9 included)	20	B1004A235	Tension dial (2, 3, 4 red)
2	E10032000	Thread guide (A)	20	B1004A250	Tension dial (2, 3, 4 green)
3	A10471567	Regulate cover	20	B1004A184	Tension dial (2, 3, 4 blue)
4	B10221004	Thread guide (B)	20	B1004A162	Tension dial (2, 3, 4 yellow)
5	C10071004	Thread guide (F)	21	W05W09A01	Wave washer
6	B1053A000	Thread guide sticker (B1)	22	W05F10A03	Washer
6	B1053B000	Thread guide sticker (B2)	23	B10181001	Tension dial setting plate
7	B10251004	Thread guide (E)	24	M03L06A04	Set screw
8	B10231004	Thread guide (C)	25	M04L10A06	Set screw
9	B10241004	Thread guide (D)	26	M03L06A04	Set screw
10	A10461567	Bulb cover	27	M03L10C02	Set screw
11	A10451000	Bulb shielding plate	28	W03F12A06	Washer
12	B10201004	Thread take-up cover	29	M03L06C02	Set screw
13	B10151002	Tension dial holder	30	M04L05A02	Set screw
14	B10163000	Tension dial holder set	31	A11481235	Color sticker (red)
15	A10701004	Tension disc	32	A11481250	Color sticker (green)
16	B10481006	Tension spring (lower looper)	33	A11481184	Color sticker (blue)
16	B10491001	Tension spring (right needle, left needle)	34	A11481162	Color sticker (yellow)
16	B10501002	Tension spring (upper looper)	35	A11471000	Lamp cover heatout plate
17	B10131000	Tension regulate nut	36	B10521000	Front cover heatout plate
18	B10061235	Tension regulate pin (red)	37	A10462000	Bulb cover complete set
18	B10061250	Tension regulate pin (green)	38	B10043235	Tension dial set (lower looper)
18	B10061184	Tension regulate pin (blue)	38	B10043250	Tension dial set (upper looper)
18	B10061162	Tension regulate pin (yellow)	38	B10043184	Tension dial set (right needle)
19	B10051235	Tension regulate disc (red)	38	B10043162	Tension dial set (left needle)
19	B10051250	Tension regulate disc (green)	39	C10081006	Tension spring
19	B10051184	Tension regulate disc (blue)	40	W04F09A06	Washer
19	B10051162	Tension regulate disc (yellow)	41	D10014567	Front cover set

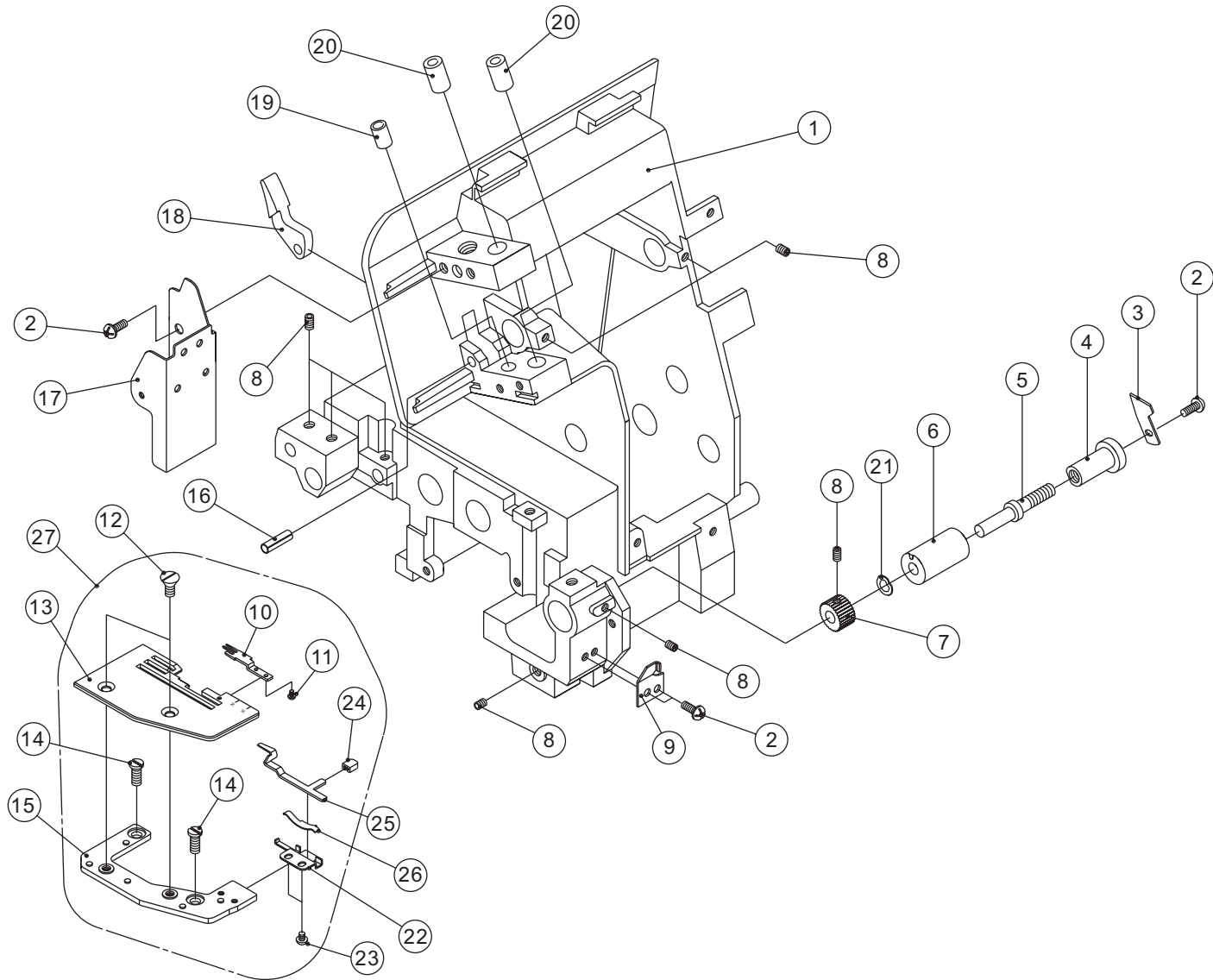
2. Sewing table/Looper cover

No.	Parts No.	Parts Name	No.	Parts No.	Parts Name
1	B10031567	Sewing table cover	12	A10631001	Looper cover hinge shaft
2	A11331567	Sewing table base	13	E06T08A04	E ring
3	A10571004	Sewing table opening lever	14	E04T06A04	E ring
4	A11181001	Sewing table shaft	15	ETW-2.5	E ring
5	A11091001	Opening lever spring	16	M04L10C06	Set screw
6	A10581001	Opening lever holder	17	M04L08C06	Set screw
7	A10771000	Opening lever shaft	18	M04L10A06	Set screw
8	D10021567	Looper cover	19	A10573000	Sewing table opening lever set
9	A10661001	Looper cover hinge (A)	20	A11332000	Sewing table base complete set
10	A10651001	Looper cover hinge (B)	21	B10043000	Sewing table complete set
11	A10061001	Looper cover hinge spring	22	A10674000	Looper cover hinge set
			23	B10271004	Looper cover setting plate
			24	B10561004	Contact or regulate plate
			25	M03L08C02	Set screw



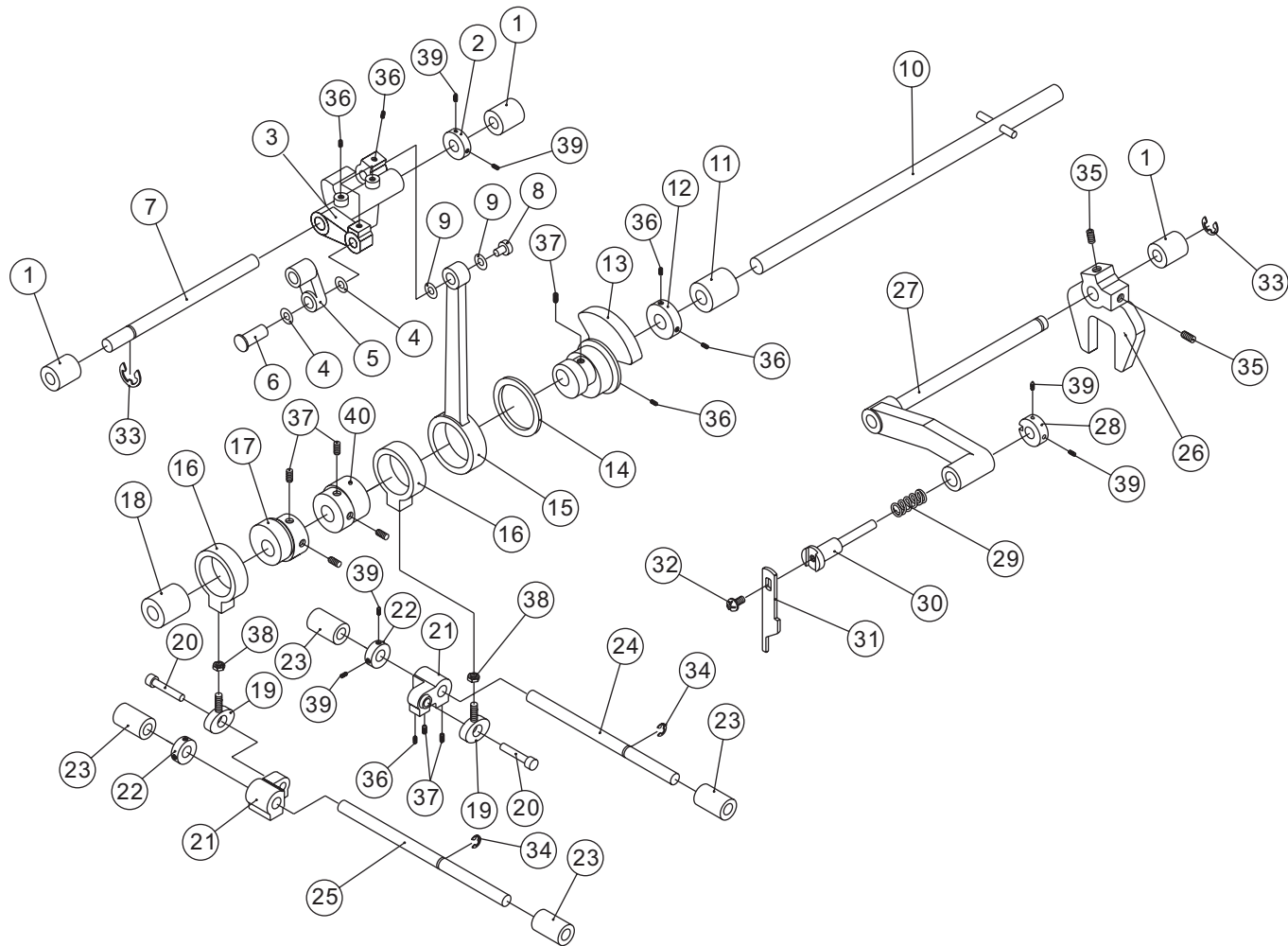
3. Side cover/Base plate/Accessory box/Extension table/ Motor cover/Thread guide bar/Spool stand

No.	Parts No.	Parts Name	No.	Parts No.	Parts Name
1	A11301567	Side cover	13	E03T06A04	E ring
2	A11361567	Base plate	14	M04L12A06	Set screw
3	A11351567	Accessory box	15	W04F10A06	Washer
4	A10781001	Accessory box slide shaft	16	M04L08A06	Set screw
5	A11251000	Rubber	17	M04L12D06	Set screw
6	A10541001	Accessory box setting spring	18	M04H30A03	Nut
7	A40241567	Extension table (DF type)	19	M03L06I04	Set screw
8	A40211211	D.F. decorate plate	20	A11362000	Base plate complete set
9	A11311567	Motor cover	21	A40242000	Extension table complete set (DF type)
10	B10422000	Extension bar	22	A1V011567	Cone holder
11	A11371567	Spool stand	23	A11621000	Thread guide bar
12	A20071567	Extension table	24	M04L08C04	Set screw
			25	B10551000	Micro switch contactor
			26	M03L08C02	Set screw
			27	A11233000	Thread guide bar complete set (No. 10.23.24)



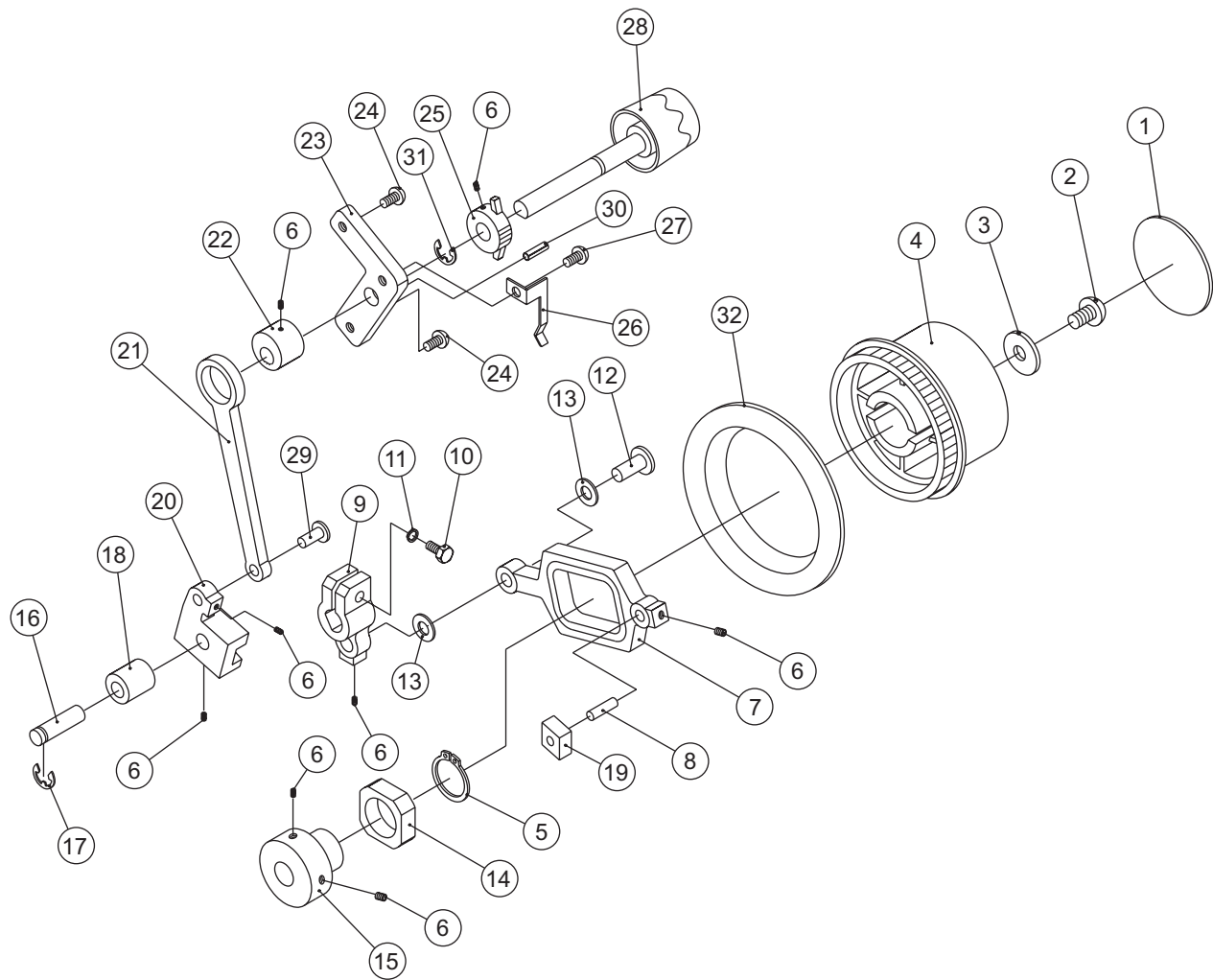
4. Machine frame/Lower knife/Stitch plate

No.	Parts No.	Parts Name	No.	Parts No.	Parts Name
1	A10051567	Machine frame	12	116407H04	Set screw
2	M04L08A06	Set screw	13	B10301004	Stitch plate
3	A10531000	Lower knife	14	M04L06J01	Set screw
4	A10221000	Lower knife holder	15	B10331001	Stitch plate holder
5	A10731001	Cutting width knob shaft	16	D05L16A01	Spring pin
6	A10211000	Lower knife holder bushing	17	A10441002	Bulb holder
7	A10891004	Cutting width knob	18	A10481000	Presser foot lifter
8	M04L06E01	Set screw	19	A10381000	Presser bar bushing
9	A10591001	Opening lever stopper	20	A10371000	Needle bar bushing
10	B10311000	Fixed lever	21	W05W09A01	Wave washer
11	M02L03B03	Set screw	22	B10341001	Moving lever holder
			23	M03L04A03	Set screw
			24	B10141567	Moving lever cover
			25	B10321000	Moving lever
			26	B10351000	Locating spring
			27	B10304000	Stitch plate set



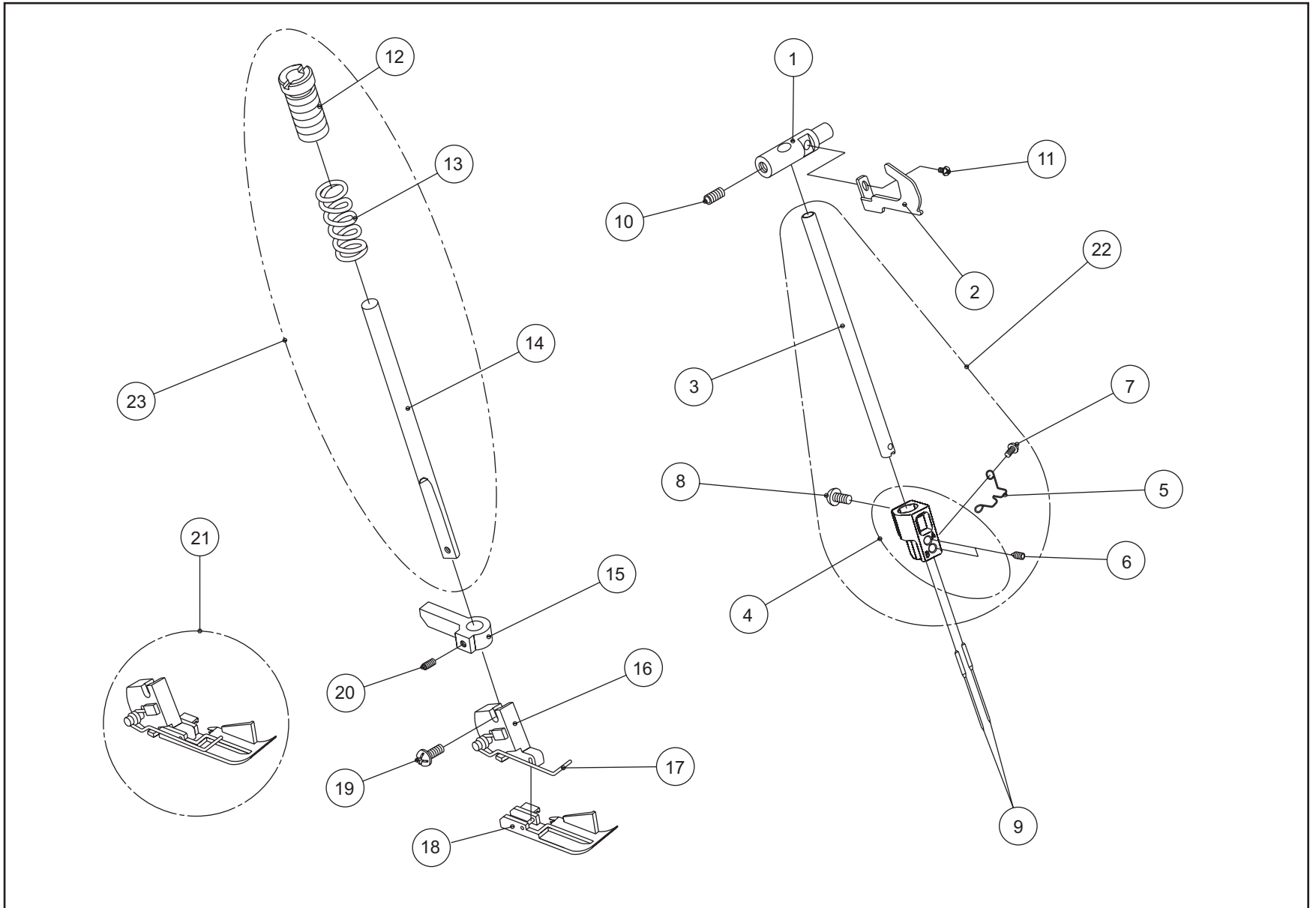
5. Main shaft/Upper knife

No.	Parts No.	Parts Name	No.	Parts No.	Parts Name
1	A10391000	Upper knife arm shaft bushing	21	A10241000	Looper shaft link
2	A10961001	Setting collar	22	A10941001	Setting collar
3	A10321000	Needle bar crank	23	A10401000	Looper shaft bushing
4	W06T12A00	Washer	24	A10801000	Upper looper shaft
5	A10061000	Needle bar link	25	A10811000	Lower looper shaft
6	A11191000	Needle bar link pin	26	A10301000	Fork
7	A11001000	Needle bar link shaft	27	A10313567	Upper knife arm set
8	A11201000	Needle bar drive link pin	28	A11011001	Upper knife holder collar
9	W07T12A00	Washer	29	A11051001	Upper knife spring
10	A10902000	Main shaft set	30	A10761000	Upper knife holder
11	A10341000	Main shaft bushing (A)	31	A10521000	Upper knife
12	A10951001	Setting collar	32	M04L08A06	Set screw
13	A10291000	Needle bar cam	33	E06T08A04	E ring
14	W28T34A00	Washer	34	E05T06A04	E ring
15	A10081000	Needle bar drive link	35	M06L08E01	Set screw
16	A10071000	Looper link	36	M04L06E01	Set screw
17	A11561000	Looper cam (B)	37	M05L06E01	Set screw
18	A10351000	Main shaft bushing (B)	38	M04H38A06	Nut
19	A11241000	Bearing	39	M04L04E01	Set screw
20	A10791000	Looper shaft link pin	40	A11571000	Looper cam (A)



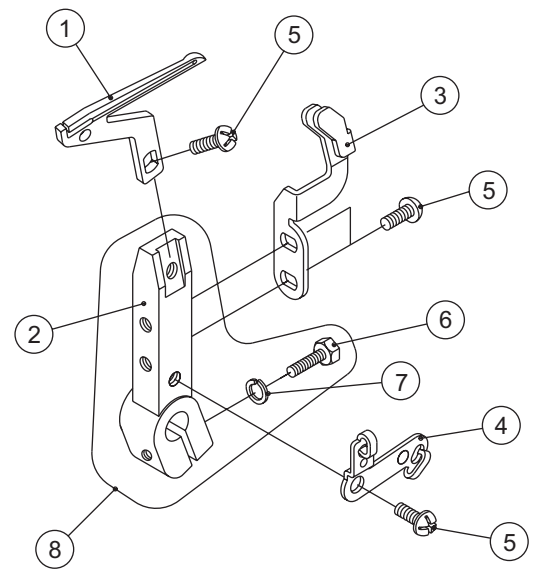
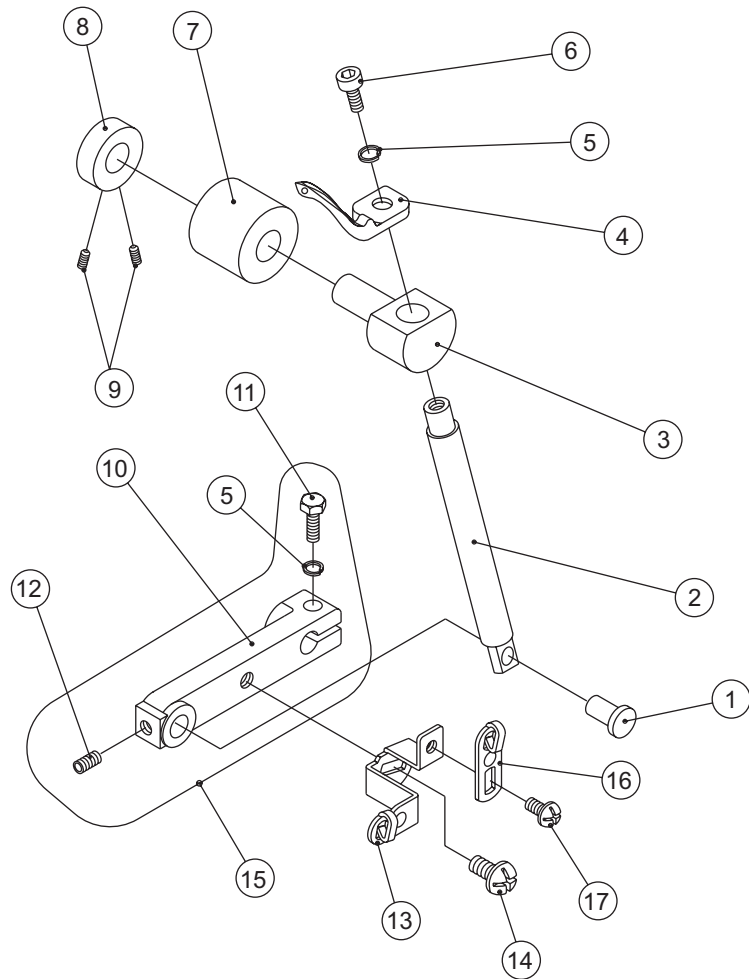
6. Handwheel/Stitch length dial

No.	Parts No.	Parts Name	No.	Parts No.	Parts Name
1	A11151211	Handwheel decorate plate	16	A10861001	Feed regulate holder shaft
2	M06L12I06	Set screw	17	E05T06A04	E ring
3	W06F19A06	Washer	18	A10411000	Feed regulate holder bushing
4	A11401567	Handwheel	19	A10141000	Feed slide block
5	C20T12A01	C ring	20	A10131000	Feed slide holder
6	M04L06E01	Set screw	21	A10121000	Feed regulate link
7	A10171000	Feed drive link	22	A10111000	Feed regulate cam
8	A10821000	Feed drive link pin (A)	23	A10101000	Feed regulate holder
9	A10191000	Feed link	24	M04L12A06	Set screw
10	M05L15G02	Set screw	25	A10091000	Feed regulate collar
11	W05S13A06	Spring washer	26	A10551001	Locating spring
12	A10831000	Feed drive link pin (B)	27	M04L06A06	Set screw
13	W06T14A00	Washer	28	A1122A001	Stitch length dial
14	A10161000	Feed cam slide block	29	A10741000	Feed regulate link pin
15	A10181000	Feed cam	30	D03L14A01	Spring pin
			31	E06T08A04	E ring
			32	B10651567	Handwheel setting collar



7. Needle bar/Presser bar/Presser foot

No.	Parts No.	Parts Name	No.	Parts No.	Parts Name
1	A10841000	Needle bar setting link	13	A11041001	Presser bar spring
2	A10501004	Needle bar thread take-up lever	14	A10981000	Presser bar
3	G1286	Needle bar	15	A10231000	Presser bar setting link
4	E10102	Needle clamp complete set	16	A1A021004	Presser foot holder
5	A11101000	Needle clamp thread guide	17	A1A051001	Presser foot spring
6	M03L05H01	Set screw	18	A1A061004	Presser foot
7	M02L04I04	Set screw	19	096409A04	Set screw
8	010807A03	Set screw	20	M04L06E01	Set screw
9	A1K014000	Needle	21	A1A014000	Presser foot complete set
10	M05L06E01	Set screw	22	A10974000	Needle bar complete set (needles excluded)
11	M03L06I04	Set screw			
12	A10991004	Presser bar regulate screw	23	A10983004	Presser bar set(12.13.14 included)



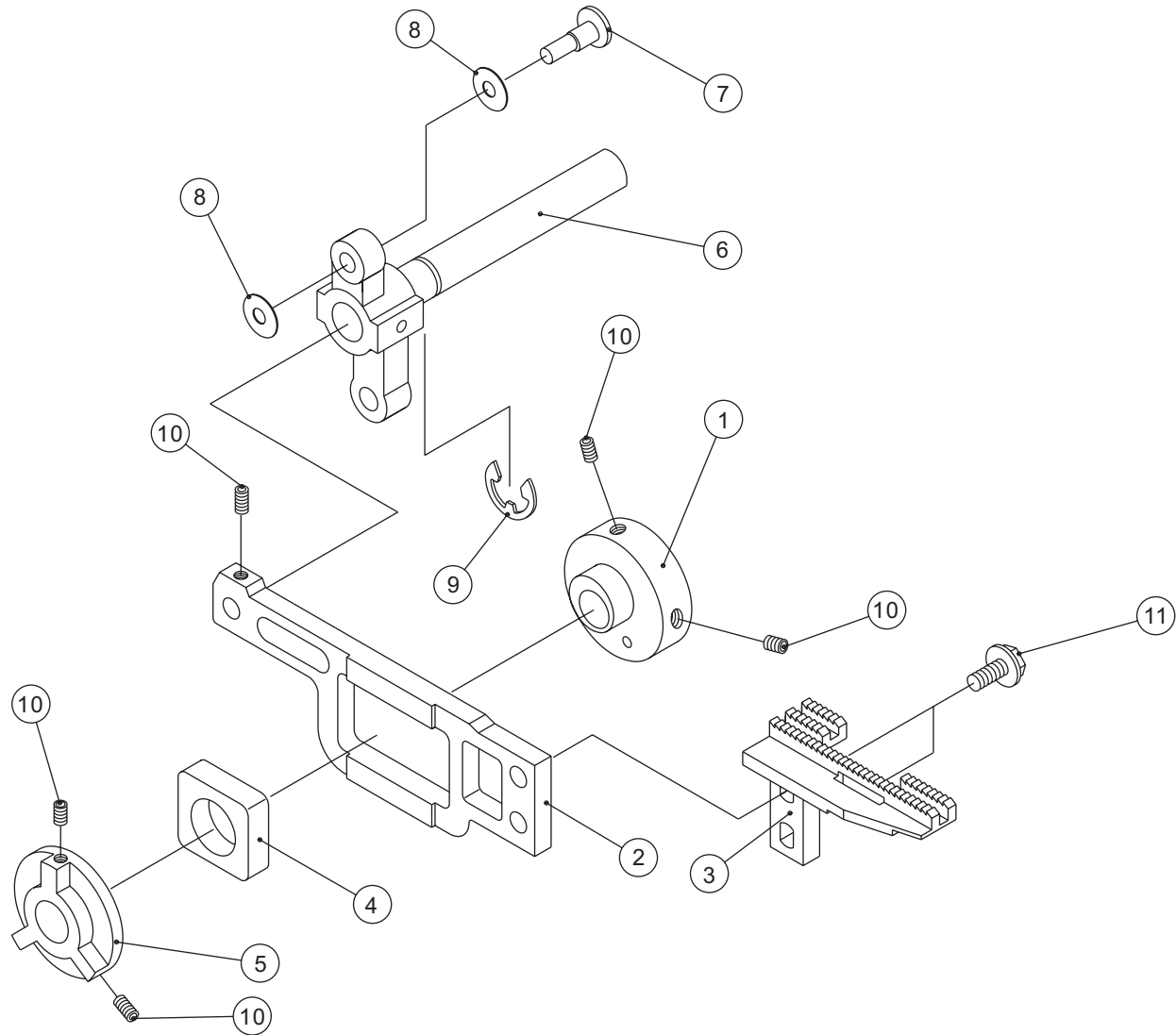
8. Upper looper/Lower looper

Upper looper

No.	Parts No.	Parts Name
1	A10931000	Slide shaft pin
2	A10911000	Slide shaft
3	A10921001	Slide shaft holder
4	A10431000	Upper looper
5	W04S13A06	Spring washer
6	M04L10F01	Set screw
7	A10421000	Slide shaft holder bushing
8	A10941001	Setting collar
9	M04L04E01	Set screw
10	A10261005	Upper looper connecting arm
11	M04L16G02	Set screw
12	M04L06E01	Set screw
13	B10291004	Lower looper thread take-up lever
14	M04L08A06	Set screw
15	A10262000	Upper looper connecting arm set
16	B10281004	Upper looper thread take-up lever
17	M03L04I04	Set screw
18	B10293000	Lower looper thread take-up lever complete set (No.13,16,17 included)

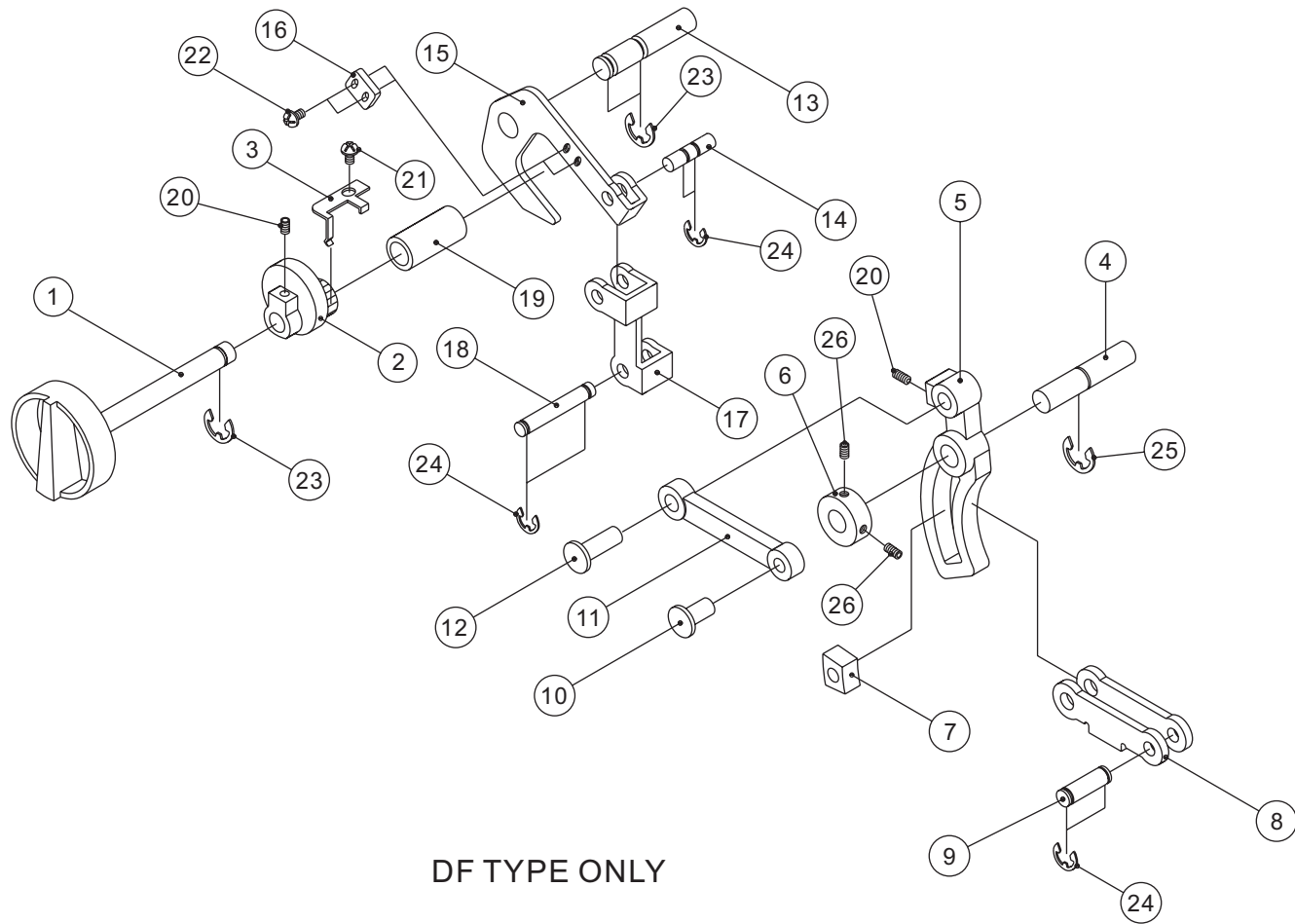
Lower looper

No.	Parts No.	Parts Name
1	A20051000	Lower looper (A)
2	A20041005	Lower looper supporter (A)
3	A10561004	Needle guard
4	C10011004	Lower looper thread guide
5	010807A03	set screw
6	M04L16G02	Set screw
7	W04S13A06	Spring washer
8	A20042000	Lower looper supporter set (A)



9. Feed dog

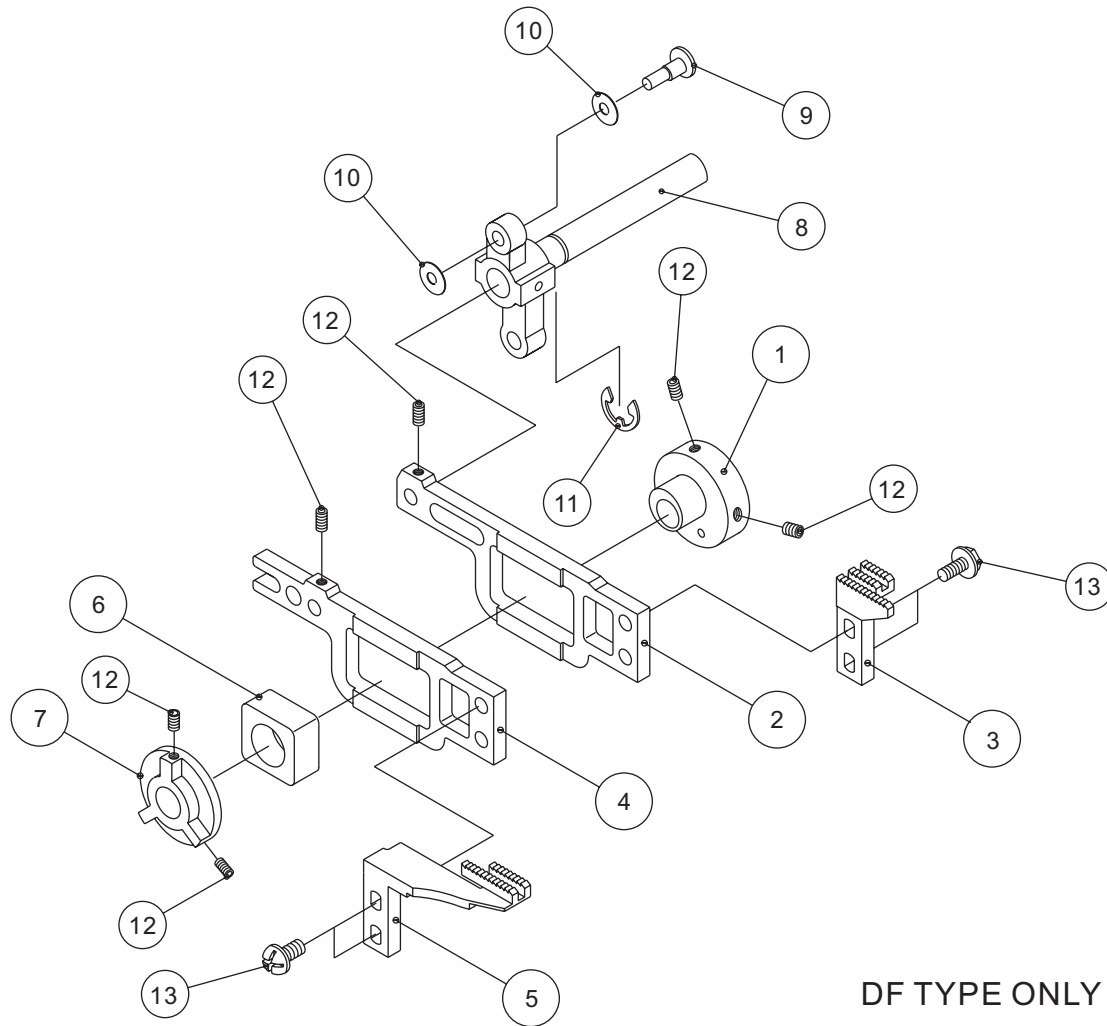
<u>No.</u>	<u>Parts No.</u>	<u>Parts Name</u>
1	A20021000	Feed dog cam
2	A10201000	Feed dog holder
3	A20011004	Feed dog
4	A20031000	Feed dog supporter slide block
5	A10151000	Setting collar
6	A10282000	Feed dog shake rod complete set
7	A10751000	Feed dog holder pin
8	W06T12A00	Washer
9	E08T08A04	E ring
10	M04L06E01	Set screw
11	M04L10I02	Set screw



DF TYPE ONLY

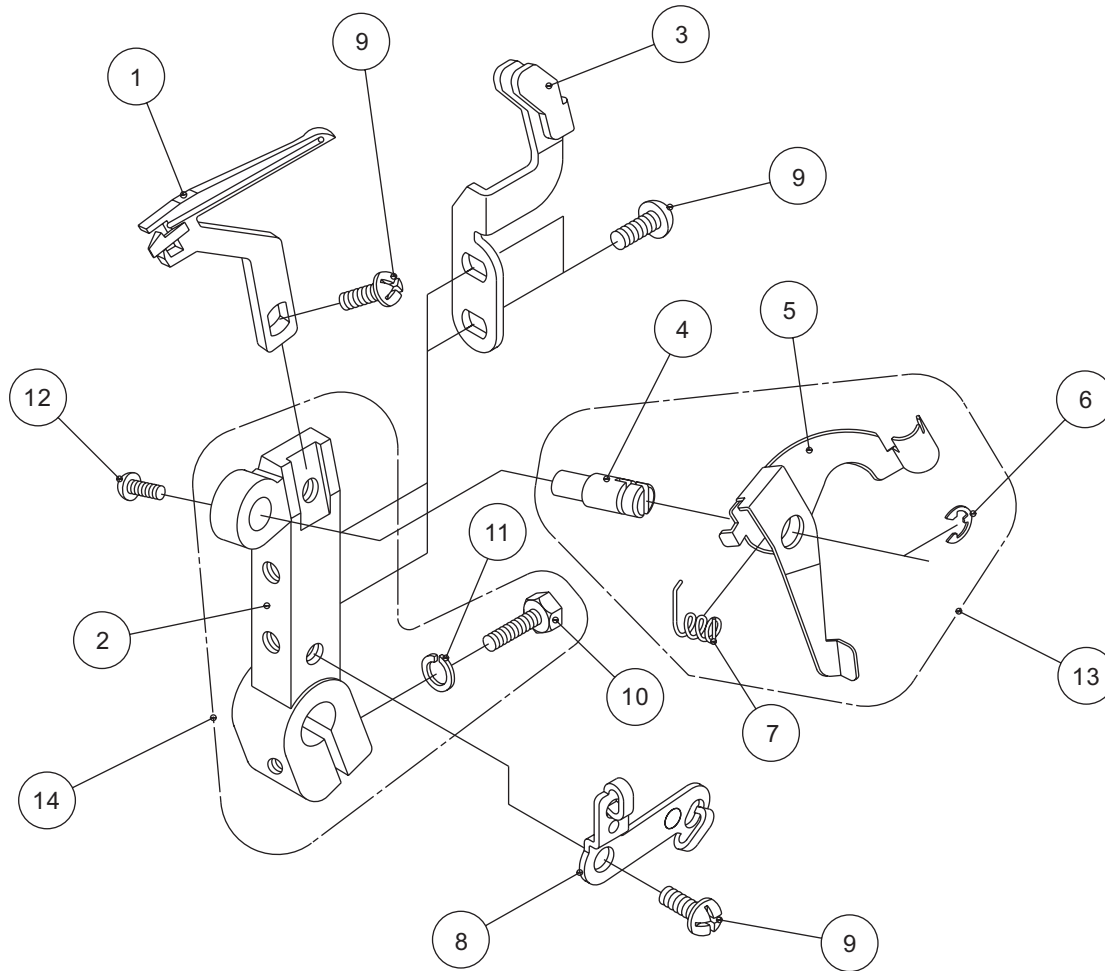
10. Differential feed (DF type only)

No.	Parts No.	Parts Name	No.	Parts No.	Parts Name
1	A40251567	Differential feed dial	14	A40181000	D.F. regulate link pin
2	A40091000	D.F. regulate cam	15	A40131001	D.F. regulate holder
3	A40191001	D.F. setting spring	16	A40231001	Setting plate
4	A40151001	D.F. slide holder shaft	17	A40121001	D.F. regulate link
5	A40061000	D.F. slide holder	18	A40171000	D.F. link pin (B)
6	A10961001	Setting collar	19	A40101000	D.F. dial bushing
7	A40051000	D.F. slide block	20	M04L06E01	Set screw
8	A40111001	D.F. link	21	M04L08A06	Set screw
9	A40161000	D.F. link pin (A)	22	M03L06I04	Set screw
10	A10741000	Feed regulate link pin	23	E05T06A04	E ring
11	A40071000	Feed dog supporter link	24	E04T06A04	E ring
12	A10831000	Feed drive link pin (B)	25	E06T08A04	E ring
13	A40141001	D.F. regulate holder shaft	26	M04L04E01	Set screw



11. Feed dog (DF type only)

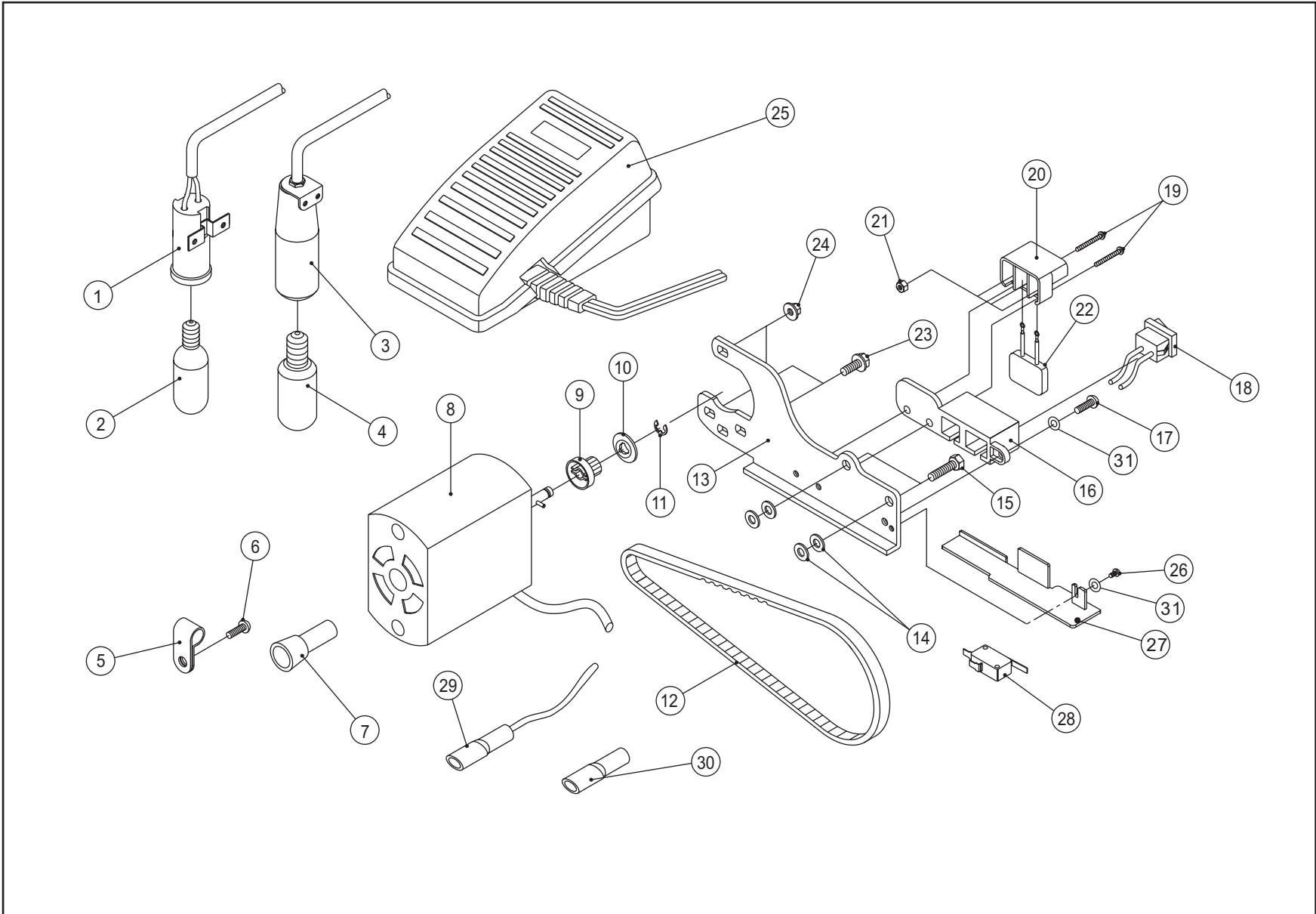
<u>No.</u>	<u>Parts No.</u>	<u>Parts Name</u>
1	A40031000	Feed dog cam
2	A10201000	Feed dog holder
3	A40021004	Feed dog (rear)
4	A40081000	Feed dog supporter (front)
5	A4001-F	Feed dog (front)
6	A40041000	Feed dog supporter slide block
7	A10151000	Setting collar
8	A10282000	Feed dog shake rod complete set
9	A10751000	Feed dog holder pin
10	W06T12A00	Washer
11	E06T08A04	E ring
12	M04L06E01	Set screw
13	M04L10I02	Set screw



LOWER LOOPER AUTO THREADER TYPE ONLY

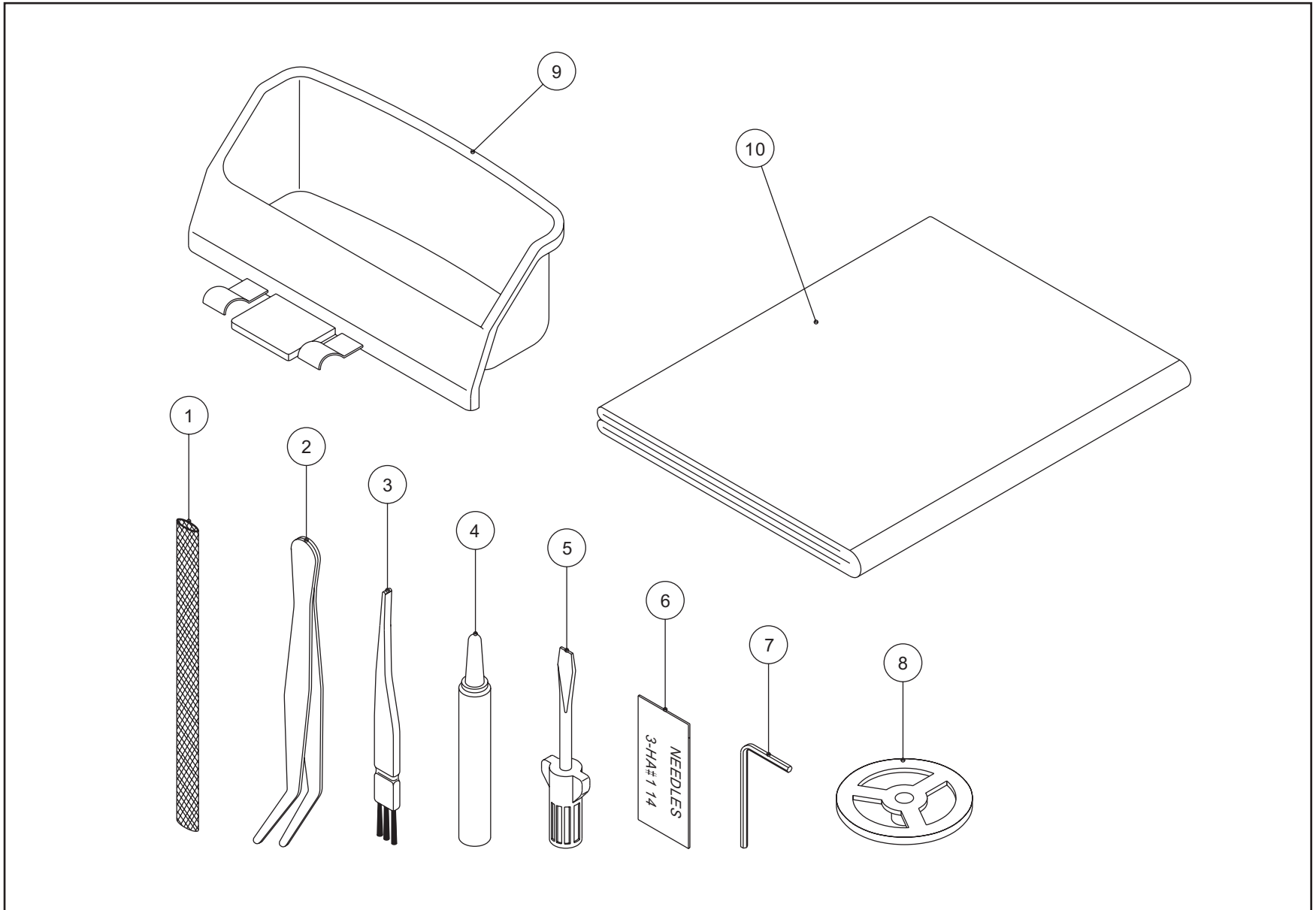
12. Lower looper auto threader (Auto threader type only)

<u>No.</u>	<u>Parts No.</u>	<u>Parts Name</u>
1	A30021000	Lower looper (B)
2	A30011005	Lower looper supporter (B)
3	A10561004	Needle guard
4	A30041001	Auto threader shaft
5	A30031004	Auto threader
6	E04T06A04	E ring
7	A30051001	Auto threader spring
8	C10011004	Lower looper thread guide
9	010807A03	Set screw
10	M04L16G02	Set screw
11	W04S13A06	Spring washer
12	M03L06I04	Set screw
13	A30032000	Auto threader set
14	A30012000	Lower looper supporter set (B)



13. Electronic parts

No.	Parts No.	Parts Name	No.	Parts No.	Parts Name
1	EE0132000	Lighting set (100v)	17	M04L10A06	Set screw
1	EE0142000	Lighting set (120v)	18	EE0112000	Switch
2	EE0161000	Bulb (100v)	19	M6837	Set screw
2	EE0171000	Bulb (120v)	20	M6834Z	Machine socket
3	EE0152000	Lighting set (240v) (Available for 220v/230v/240v)	21	M9828	Nut
4	EE0181000	Bulb (240v) (Available for 220v/230v/240v)	22	KC98-18A	Condenser
5	EE0201000	HW (1/4) Cord clip	23	M9815A	Set screw
5	EE032	(HW(5/16) cord clip for 120v)	24	M6844A	Nut
6	M04L08A06	Ser screw	25	4C-315A221	Foot controller (100v) Japan
7	EE0191000	C4 End terminal	25	4C-316B22	Foot controller (120v) U.S.A.
8	3M-803A404	Motor (100v)	25	4C-326C22	Foot controller (220v) South Africa
8	KM-6390U	Motor (115v)	25	4C-316C26	Foot controller (220v) Korea
8	WM-298I-9	Motor (220v~230v)	25	4C-316C24	Foot controller (220v) Argentina
8	WM-298I-926	Motor (220v)	25	4C-316C28	Foot controller (220v) the Middle East
9	A11411000	Timing belt pulley	25	4C-326G22	Foot controller (230v) Europe
10	A11421000	Timing belt pulley cover	25	4C-326C25	Foot controller (240v) U.K.
11	E04T06A04	E Ring	25	4C-326C23	Foot controller (240v) Australia & New Zealand
12	A10011000	Timing belt	26	M03L06I04	Set screw
13	A10881001	Motor supporter	27	B10571567	Micro switch insulation plate
14	W05F12A06	Washer	28	EE0491000	Micro switch
15	M05L15M02	Set screw	29	EE0501000	Terminal w/transparent insulation tube
16	A11431567	Swith supporter	30	EE0511184	Terminal w/un-transparent insulation tube
			31	W04F10A06	Washer



14. Accessories

<u>No.</u>	<u>Parts No.</u>	<u>Parts Name</u>
1	A1L011000	Nut
2	A1G011000	Tweezers
3	A1I011000	Cleaning brush
4	A1E011000	Oiler
5	A1F011211	Screw driver
6	A1J023000	Needle x 3
7	A1H011001	Hexagon wrench
8	A1C011567	Spool caps
9	A1D011567	Chip box
10	A1U011000	Dust cover
11	A1Z014000	Accessories Set (NO. 1-8)