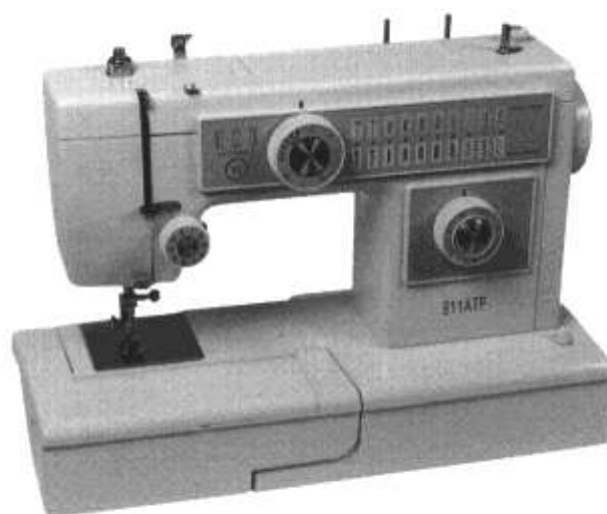
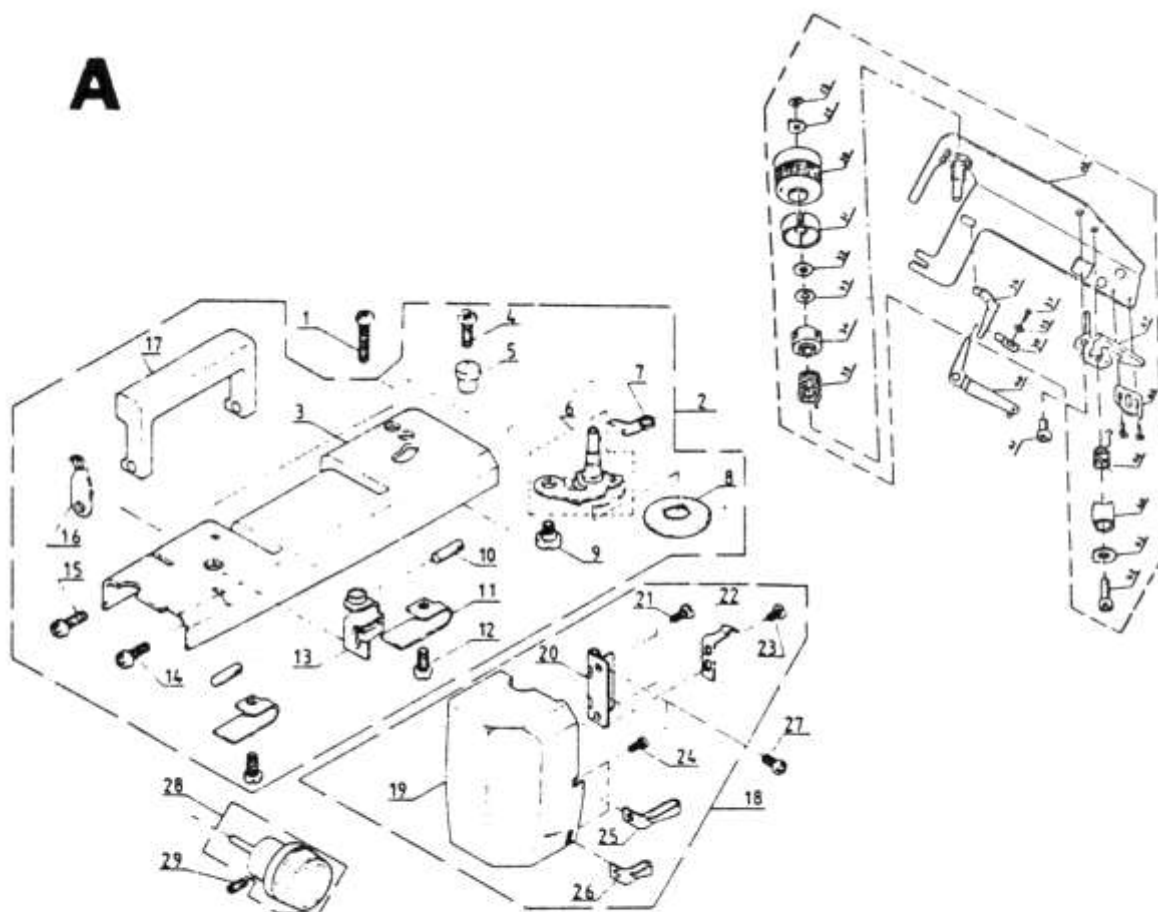


# **ROMITEX 811ATF**

## **Parts list**



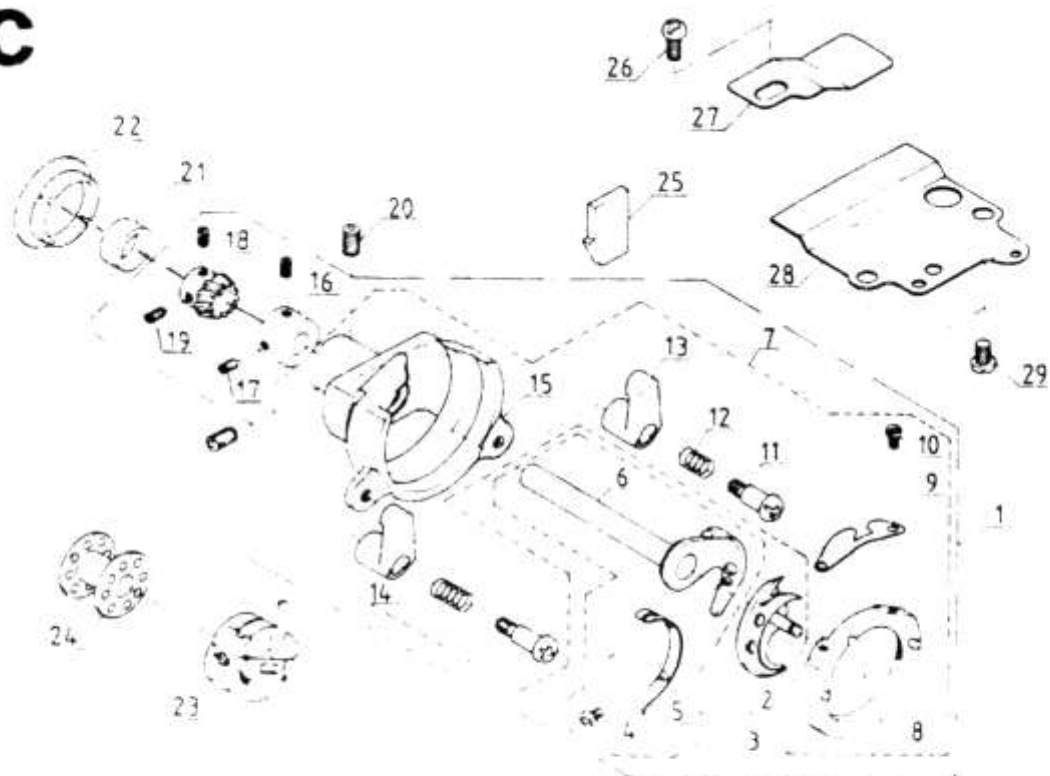
# A



Key	Parts No.	Names of Parts	Key	Parts No.	Name of Parts
1	000081902	+ - binding head screw 4x30	16	321020000	Top cover thread guide
2	321616113	Top cover (unit)	17	321098102	Handle
3	321097204	Top cover	18	321603106	Face plate (unit)
4	000081706	+ - binding head screw 4x14	19	321021207	Face plate
5	281015005	Bobbin winder stopper	20	231501008	Face plate hinge (unit)
6	281502004	Bobbin winder (unit)	21	000083203	+ - pan head screw 4x6
7	281023006	Bobbin winder spring	22	281028001	Face plate set plate
8	574161004	Rubber ring	23	000081005	+ - binding head screw 3.5x5
9	281022005	Hinge screw	24	101247007	Set screw
10	321100005	Handle shaft	25	321022002	Face plate thread guide (upper)
11	321099000	Handle shaft set plate	26	321023003	Face plate thread guide
12	000081201	+ - binding head screw 4x5	27	000083203	+ - pan head screw 4x6
13	321501000	Top cover thread guide bracket	28C	281622002	Built-in tension (unit)
14	000081005	+ - binding head screw 3.5x5			
15	000081005	+ - binding head screw 3.5x5			

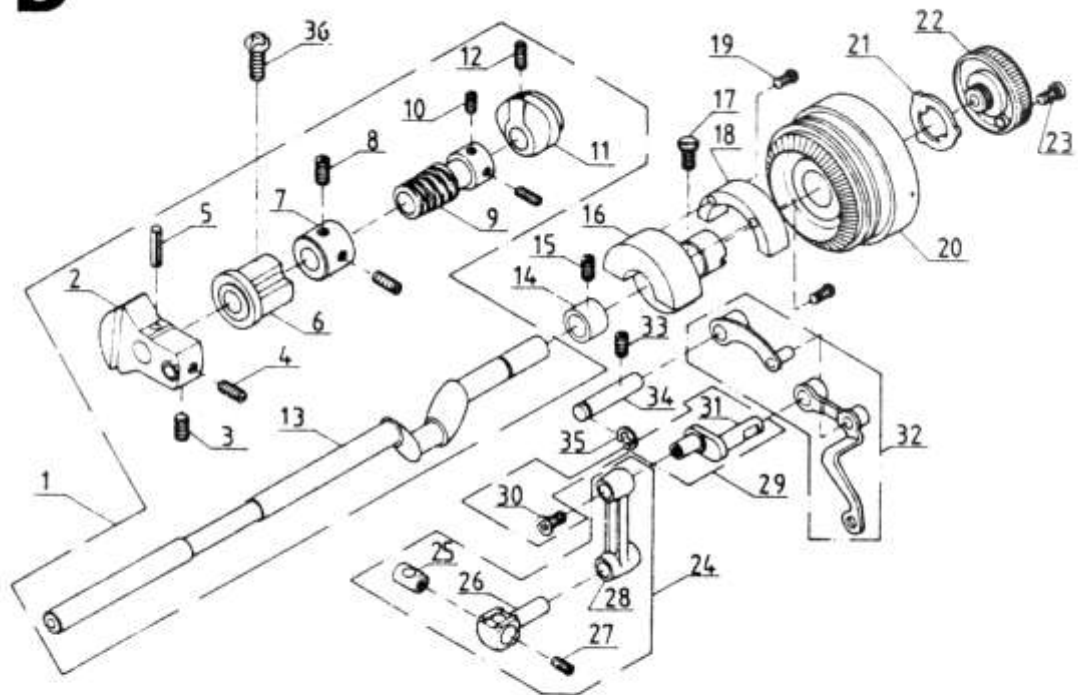


**C**



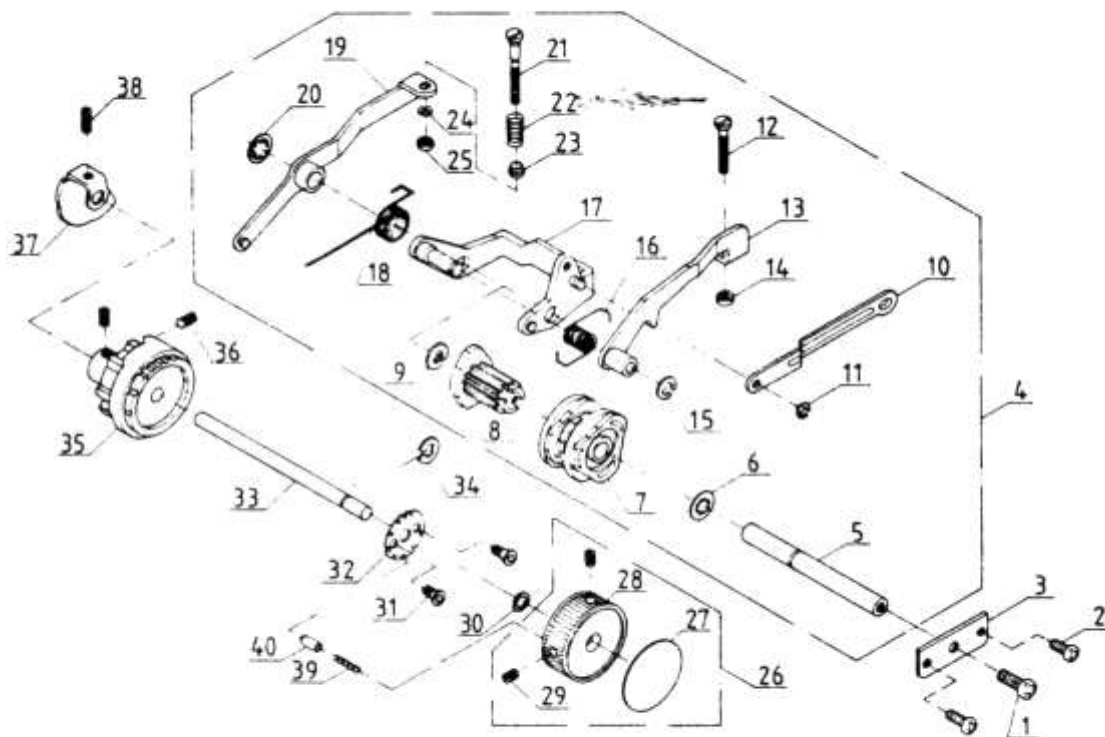
Key	Parts No.	Name of Parts	Key	Parts No.	Name of Parts
1	321606006	Hook race (unit)	16	281079007	Hook driver shaft ring
2	101183004	Hook	17	000079505	Hexagon socket screw
3	321505004	Hook driver body (unit)	18	281080009	Hook driver shaft bevel gear
4	101182003	Flat head set screw	19	000079505	Hexagon socket screw
5	281078006	Hook driver spring	20	000079309	Hexagon socket screw 5x5
6	321049005	Hook driver body	21	321050009	Hook driver shaft bushing
7	321504003	Hook race body (unit)	22	321054014	Hook driver shaft bushing cap
8	281158001	Hook race ring	23	281516001	Bobbin case (unit)
9	281159002	Hook race ring cap spring	24	101193007	Bobbin
10	205162002	Set screw	25	321053002	Gear box side cover
11	574070005	Hinge screw	26	000081304	+ - binding head screw 4x6
12	574069001	Hook race ring clasp spring	27	321051000	Gear box upper cover
13	321046002	Hook race ring clasp (A)	28	321052001	Gear box bottom cover
14	321047003	Hook race ring clasp (B)	29	000083306	+ - pan head screw 5x6
15	321045001	Hook race body			

# D



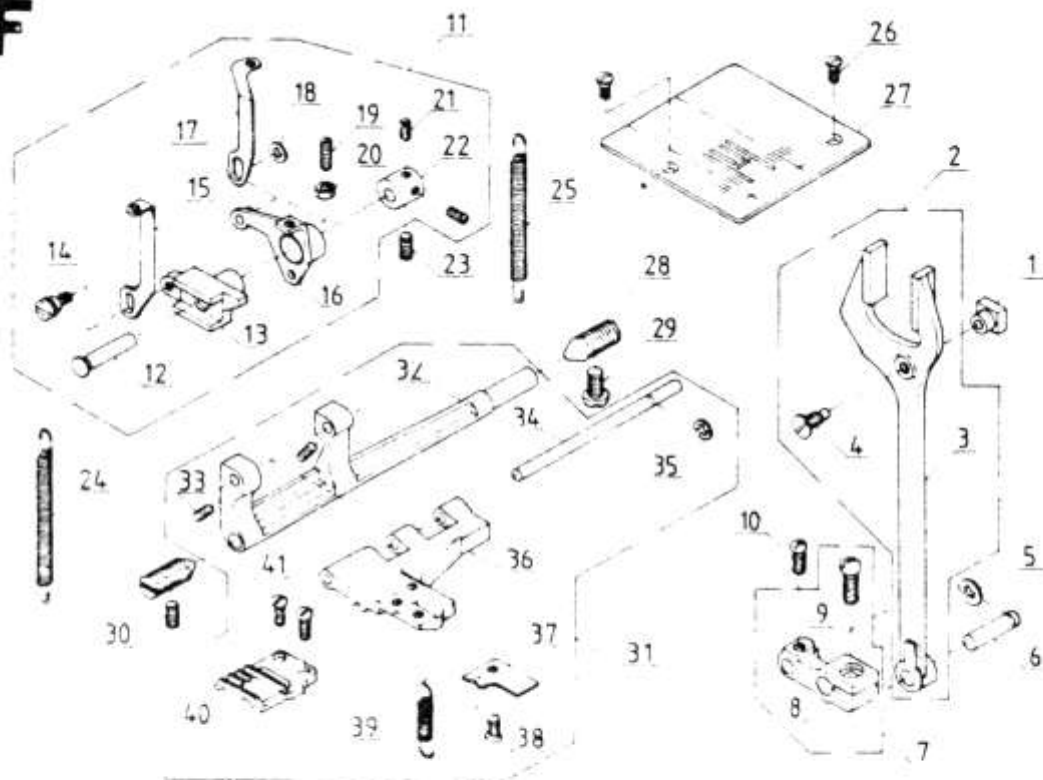
Ref. No	Parts. No	Names of Parts	Ref. No	Parts. No	Names of Parts
1	321605005	Upper shaft (unit)	19	000083100	+ - pan head screw 3x12
2	321031004	Thread take-up crank	20	321033017	Head wheel
3	101040008	Set screw	21	101103000	Stop motion washer
4	574057006	Set screw	22	321008013	Stop motion large screw
5	000006408	spring pin 3x20	23	101105002	Set screw
6	281064009	upper shaft front bushing	24	281504006	Needle bar connecting stud for
7	321032005	Upper shaft ring	25	281047006	Needle bar connecting stud p
8	000079309	Hexagon socket screw 5x5	26	281045004	Needle bar connecting stud
9	281065000	Upper shaft worm	27	000079103	Hexagon socket screw 4x4
10	101019008	Set screw	28	281046005	Needle bar connecting rod
11	101214005	Feed cam	29	321508007	Needle bar crank pin (unit)
12	101085005	Set screw	30	574062004	Cap screw
13	321030003	Upper shaft	31	321037000	Need bar crank pin
14	321003007	Upper shaft rear bushing	32	321502001	Thread take-up lever (unit)
15	000079309	Hexagon socket screw 5x5	33	000079309	hexagon socket screw 5x5
16	321034007	Hand wheel bushing	34	574065007	Thread take-up lever pin
17	321035008	Flat head set screw	35	000001414	Snap ring E-6 (D)
18	321036009	Balance weight	36	000083409	+ - pan head screw 5x10

# E



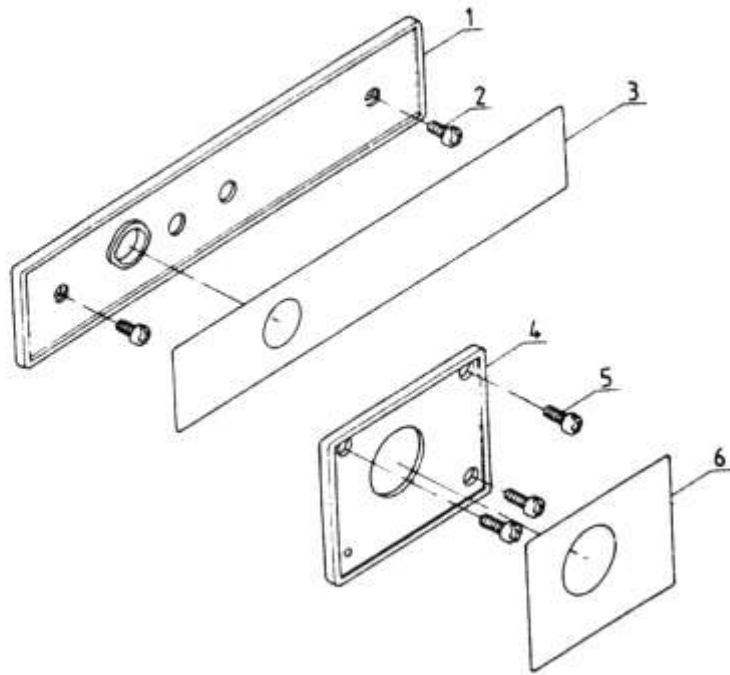
Ref. No	Parts. No	Names of Parts	Ref. No	Parts. No	Names of Parts
1	000081304	+ - binding head screw 4x6	21	281132009	Buttonhole feed adjusting screw
2	000081108	+ - binding head screw 3.5x6	22	281133000	Buttonhole feed adjusting screw spring
3	321083001	Cam shaft holder	23	281134001	Buttonhole feed adjusting screw spring holder
4	328601008	Cam shaft (unit)	24	000001001	Snap ring E-2.5
5	321082000	Cam shaft	25	101077004	Nut
6	000002105	Snap ring Cs-8	26	325605007	Pattern selector knob (unit)
7	321004003	Pattern cam	27	325006002	Pattern selector indication plate
8	322151004	Stretch stitch cam	28	281122028	Pattern selector knob
9	000001403	Snap ring E-6 (D)	29	000079103	Hexagon socket screw 4x4
10	281142002	Stretch stitch selector rod	30	281128002	Plain washer
11	000001104	Snap ring E-3 (D)	31	321080008	Flat head set screw
12	281139006	Stretch stitch adjusting screw	32	323009009	Pattern selector index plate
13	281137004	Stretch stitch feed connecting crank	33	321081009	Pattern selector knob shaft
14	101077004	Nut	34	000001207	Snap ring E-4 (D)
15	000001207	Snap ring E-4 (D)	35	322125009	Pattern selector cam
16	281138005	Stretch stitch feed connecting crank spring	36	000079103	Hexagon socket screw 4x4
17	281135002	Stretch stitch selector crank	37	322150003	Buttonhole selector cam
18	281136003	Stretch stitch selector crank spring	38	000079206	Hexagon socket screw 4x6
19	281131008	Buttonhole feed connecting crank	39	322009006	Dial pin spring
20	000002105	Snap ring CS-8	40	322008005	Dial pin

# F



Key	Parts No.	Name of Parts	Key	Parts No.	Name of Parts
1	101221005	Forked rod slide block	22	321058007	Feed regulator bushing
2	321607007	Forked rod (unit)	23	000079309	Hexagon socket screw 5x
3	321055004	Forked rod	24	281091005	Feed regulator spring
4	101220004	Forked rod slide block screw stud	25	281087008	Feed regulator bracket s
5	000001414	Snap ring E 6 (D)	26	101012001	Flat head set screw
6	281112003	Forked rod connecting pin	27	321029009	Needle plate
7	321509008	Feed rock shaft crank (unit)	28	101312004	Center screw
8	321066008	Feed rock shaft crank	29	000083409	+ - pan head screw 5x10
9	102151006	Set screw	30	000079309	Hexagon socket screw 5x
10	102205006	Set screw	31	321609009	Feed rock shaft (unit)
11	321608008	Feed regulator (unit)	32	321061003	Feed rock shaft
12	281086007	Feed regulator set pin	33	000079206	Hexagon socket screw 4x
13	321056005	Feed regulator	34	321063005	Feed dog base shaft
14	281090004	Hinge screw	35	000001218	Snap ring E-4 (D)
15	281089000	Stretch stitch rod	36	321062004	Feed dog base
16	321057006	Feed regulator bracket	37	321064006	Feed dog base slide plate
17	281088009	Buttonhole regulating rod	38	102021109	Set screw
18	000001207	Snap ring E 4 (D)	39	281111002	Feed dog base spring
19	000077008	Set screw 4x12	40	321065007	Feed dog
20	000071105	Nut 4-3-7	41	101247007	Set screw
21	000079103	Hexagon socket screw 4x4			

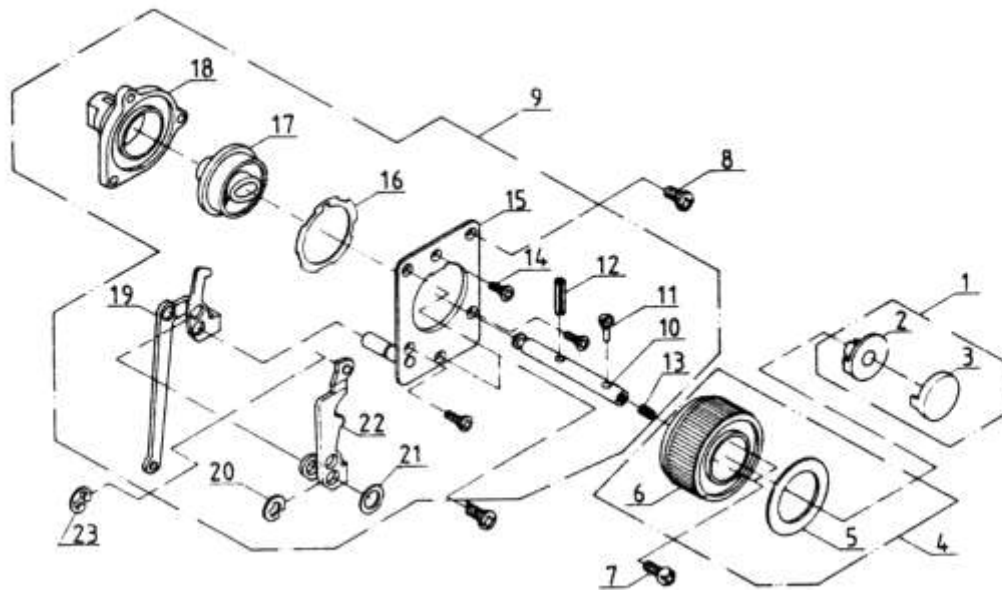
# G



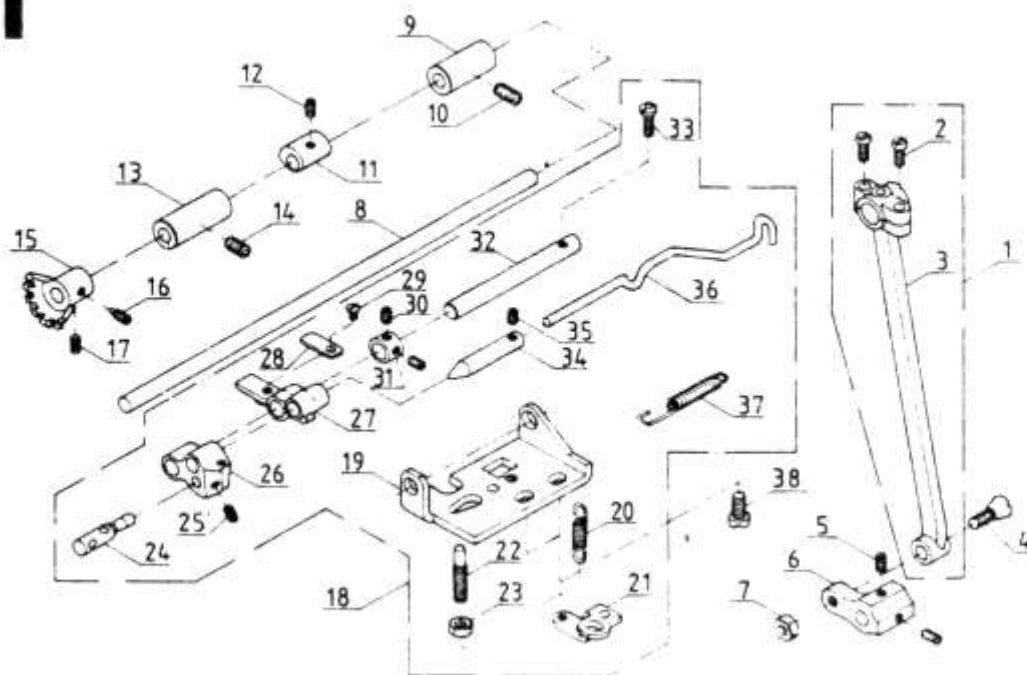
Key	Parts No.	Name of Parts	Key	Parts No.	Name of Parts
1	321078014	Control panel frame	4	321059019	Feed control panel frame
2	000081005	+ – binding head screw 3.5x5	5	000081108	+ – binding head screw 3.5x6
3	326003002	Control panel	6	321060013	Feed control panel



# H

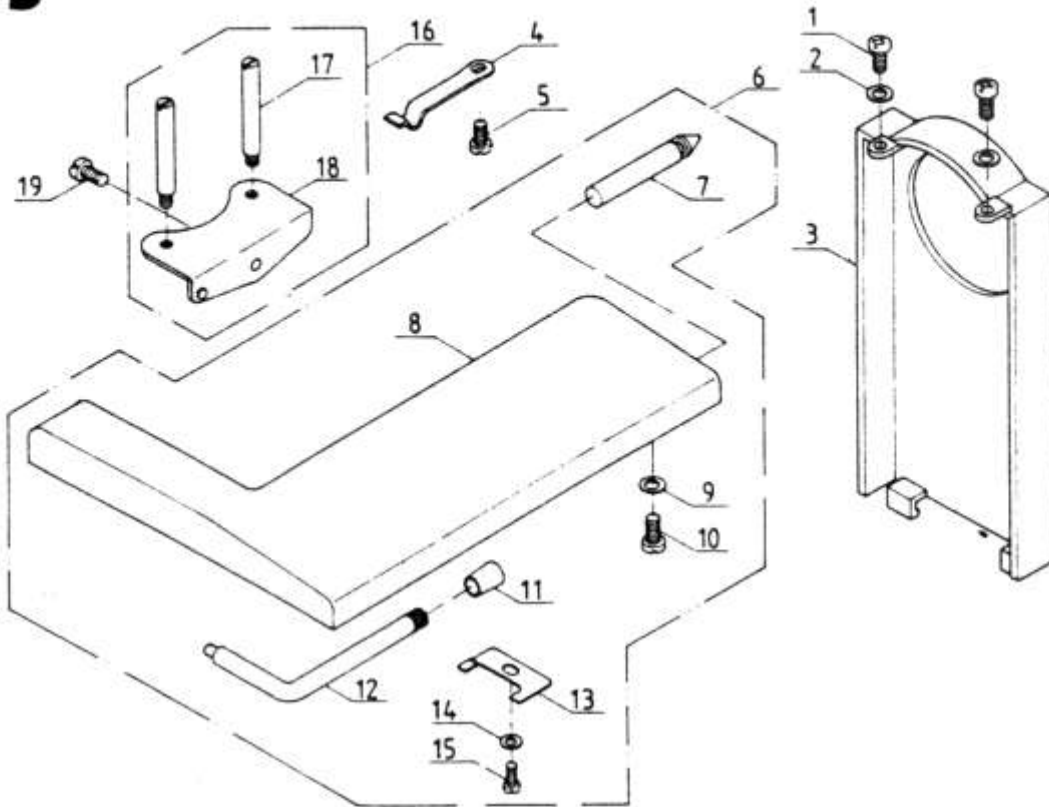


Key	Parts No.	Name of Parts	Key	Parts No.	Name of Parts
1	281611052	Reverse feed button (unit)	12	000006305	Spring pin 2.5x14
2	281104002	Reverse feed button	13	000079103	Hexagon socket screw 4x4
3	281105058	Reverse feed button cap	14	000086000	+ flat head T screw 3x8-2V
4	325601003	Stitch length regulator knob (unit)	15	281092006	Stitch length regulator base holder
5	325005001	Stitch length indication plate	16	281095009	Corrugated washer
6	281102011	Stitch length regulator knob	17	281094008	Stitch length regulator cam
7	000087001	+ pan head T screw 3x8-2V	18	281093007	Stitch length regulator base
8	281101009	Flat head set screw	19	281098002	Drop feed connecting lever
9	281609002	Stitch length regulator (unit)	20	000001207	Snap ring E-4 (D)
10	281096000	Stitch length regulator shaft	21	281099003	Washer
11	281097001	Eccentric pin	22	281100008	Stretch stitch selector lever
			23	000001104	Snap ring E-3 (D)



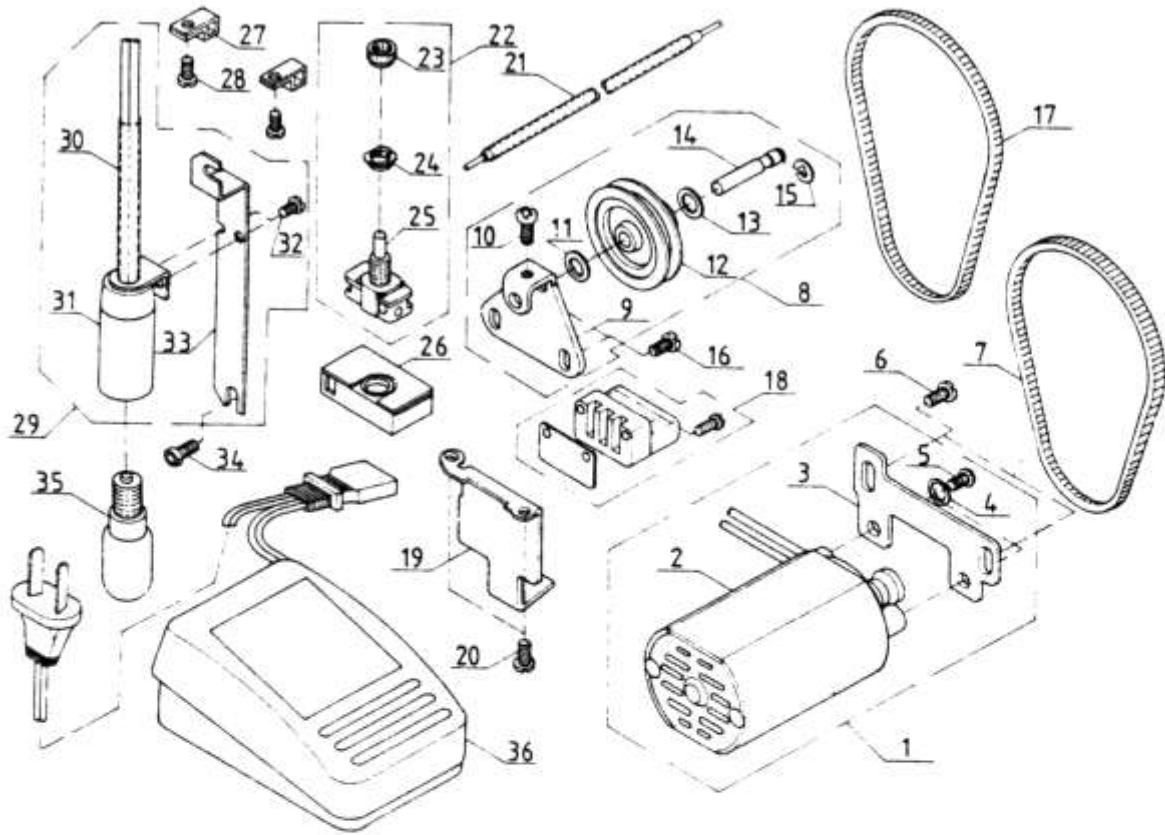
Key	Parts No.	Name of Parts	Key	Parts No.	Name of Parts
1	321503002	Crank rod (unit)	20	321071006	Feed lifting crank spring
2	101149008	Set screw	21	321074009	Feed lifting crank spring support
3	321038001	Crank rod	22	000077101	Set screw 4x25
4	101151003	Taper screw	23	000071105	Nut 4-3-7
5	000079309	Hexagon socket screw 5x5	24	321073008	Feed lifting crank roller shaft
6	321039002	Lower shaft crank	25	000079206	Hexagon socket screw 4x6
7	101152004	Nut	26	321072007	Feed lift adjusting crank
8	321040006	Lower shaft	27	321069001	Feed lifting crank
9	321042008	Lower shaft rear bushing	28	321070005	Sliding plate
10	000079309	Hexagon socket screw 5x5	29	101261007	Flat head set screw
11	321043009	Feed lifting cam	30	101158000	Set screw
12	000079309	Hexagon socket screw 5x5	31	321104009	Feed lifting shaft ring
13	321041007	Lower shaft front bushing	32	321068000	Feed lifting shaft
14	000079309	Hexagon socket screw 5x5	33	000081809	+ - binding head screw 4x20
15	321044000	Lower shaft gear	34	321075000	Drop feed plunger
16	281075003	Lower shaft gear set screw	35	000079000	Hexagon socket screw 3x4
17	000079309	Hexagon socket screw 5x5	36	321076001	Plunger rod
18	321610003	Feed lifting crank (unit)	37	321077002	Plunger spring
19	321067009	Feed lifting shaft base	38	000083409	+ - pan head screw 5x10

**J**



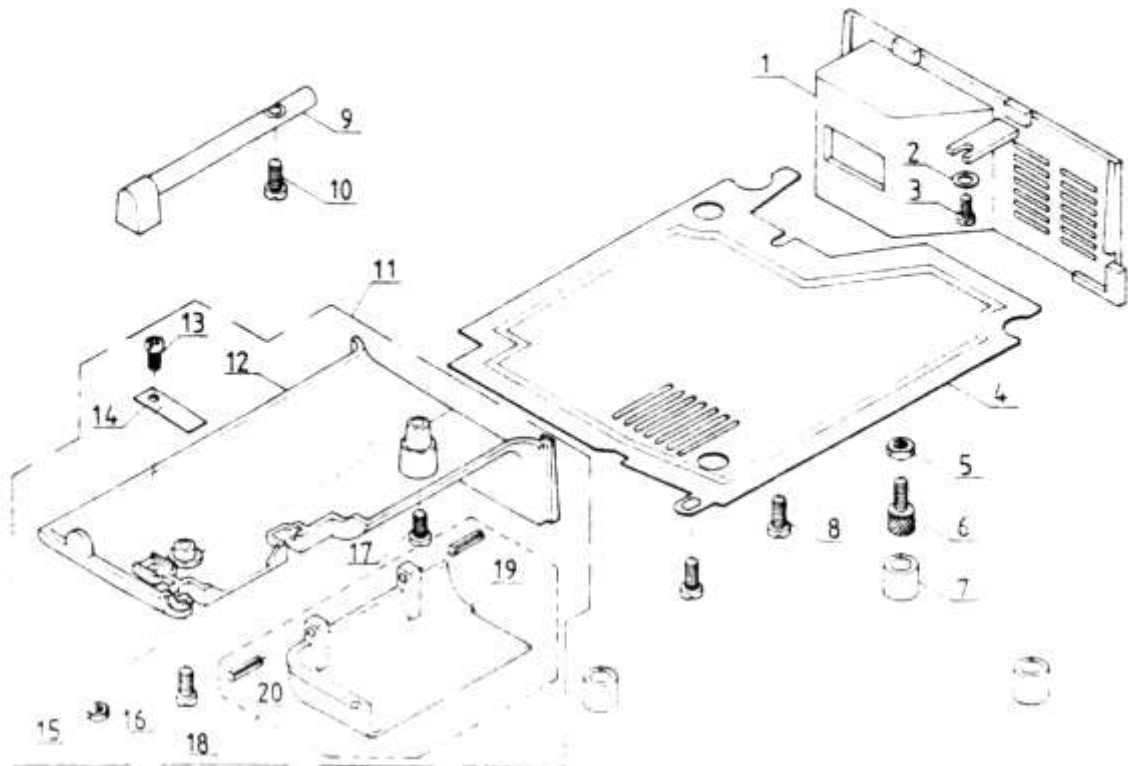
Key	Parts No.	Name of Parts	Key	Parts No.	Name of Parts
1	000081500	+ - binding head screw 4x10	11	321089007	Rubber cushion
2	000012005	Washer	12	321088006	Detachable workplate leg
3	321004019	Belt cover	13	321090001	Leg guard plate
4	321092003	Spring plate	14	000011004	Washer 3
5	000081304	+ - binding head screw 4x6	15	000087001	+ pan head T screw 3x8.2
6	321614018	Detachable workplate (unit)	16	321624000	Spool pin base (unit)
7	321091002	Guide shaft	17	101091004	Spool pin
8	321087016	Detachable workplate	18	281007004	Spool pin base
9	000011107	Washer 4	19	000081304	+ - binding head screw 4,
10	000081500	+ - binding head screw 4x10			

# K



Key	Parts No.	Name of Parts	Key	Parts No.	Name of Parts
1	012514009	Motor (unit)	19	321114002	Terminal bracket
2	012021004	Motor	20	000081304	+ - binding head screw 4x
3	012024007	Motor bracket	21	321137001	Switch cord
4	000011107	Plain washer	22	321628004	Switch (unit)
5	000085205	Motor set screw 4x12	23	321116004	Nut
6	000083049	+ - pan head screw 5x10	24	321140007	Nut
7	000091008	Belt 6U 300	25	321511003	Switch
8	321613006	Middle pulley (unit)	26	321125006	Switch cover
9	321085003	Middle pulley bracket	27	574170006	Nylon cord guard
10	000083409	+ - pan head screw 5x10	28	000081304	+ - binding head screw 4x
11	000013006	Thrust washer	29	321627003	Lamp socket plate (unit)
12	321084002	Middle pulley	30	321136000	PVC tube
13	000013006	Thrust washer	31	321510002	Lamp socket (unit)
14	321086004	Middle pulley shaft	32	000081005	+ - binding head screw 3.5
15	000001218	Snap ring E-4 (D)	33	321113001	Lamp socket plate
16	000083409	+ - pan head screw 5x10	34	000081304	+ - binding head screw 4x
17	000091204	Belt 6U360	35	000103004	Light bulb 220V E-14
18	012022005	Terminal box	36	022515001	Controller

# L



Key	Parts No.	Name of Parts	Key	Parts No.	Name of Parts
1	321101017	Terminal cover	11	321601012	Bed cover (unit)
2	000012005	Washer 4	12	321005010	Bed cover
3	000081304	+ - binding head screw 4x6	13	000081304	+ - binding head screw 4x6
4	321014001	Arm bed bottom cover	14	321007001	Spring plate
5	000071208	Nut 5-1-8	15	000071105	Nut 4-3-7
6	321012009	Bed leg screw	16	000081603	+ - binding head screw 4x6
7	321011008	Rubber cushion	17	000081809	+ - binding head screw 4x6
8	000081304	+ - binding head screw 4x6	18	321626002	Shuttle race cover (unit)
9	321013000	Arm bed leg	19	321006011	shuttle race cover
10	000083605	+ - pan head screw 5x16	20	000006202	Spring pin 2.5x10