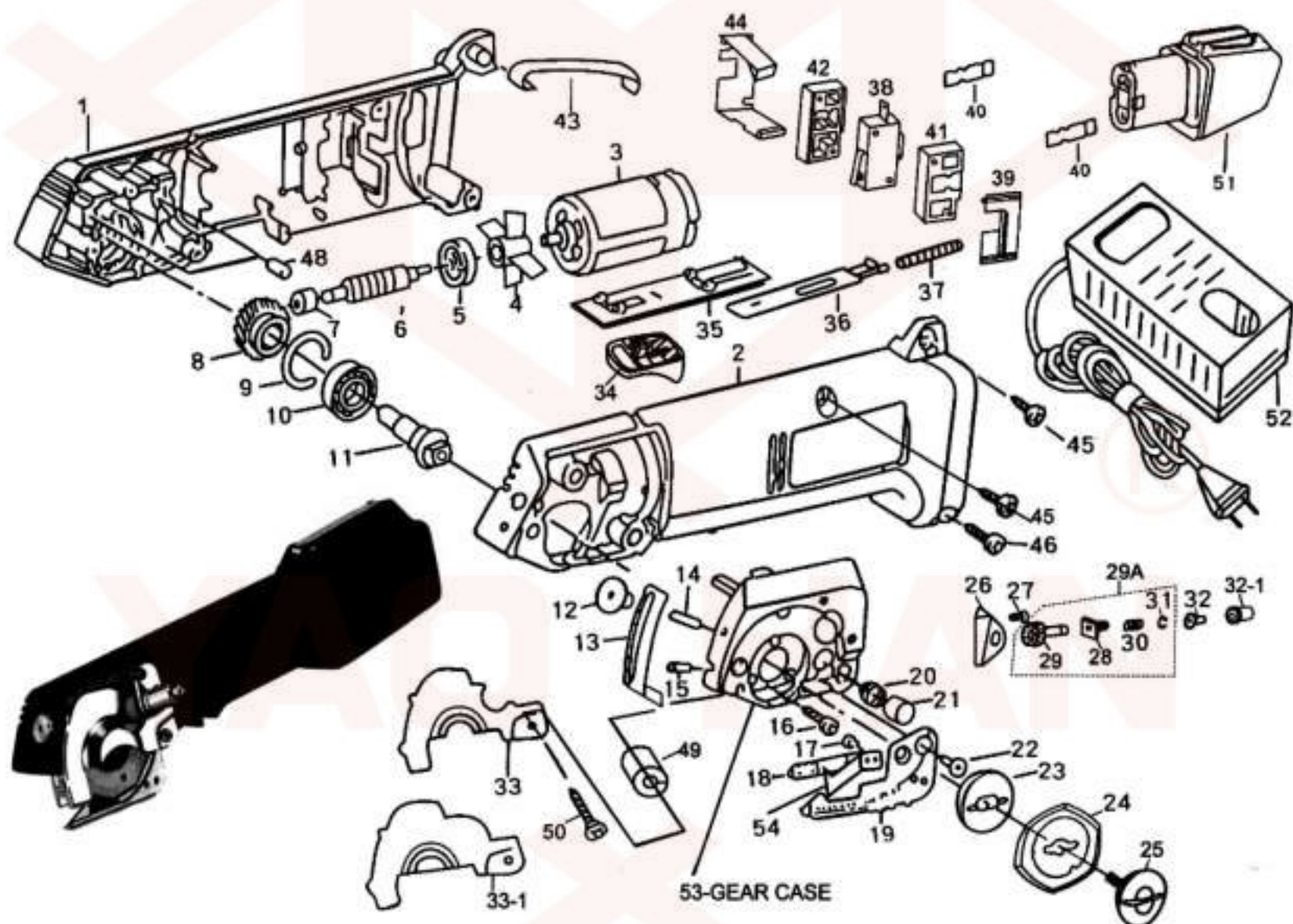


PARTS FOR MINI CUTTER SC-60

# Cordless Electric shear



ITEM	PART NO.	DESCRIPTION	ITEM	PART NO.	DESCRIPTION
1	SC-60-1	RIGHT HOUSING	29	SC-60-29	STONE
2	SC-60-2	LEFT HOUSING	29A	SC-60-29A	STONE ASSY
3	SC-60-3	MOTOR	30	SC-60-30	SPRING
4	SC-60-4	MOTOR FAN	31	SC-60-31	RING
5	SC-60-5	BALL BEARING	32	SC-60-32	PUSH KNOB FOR STONE
6	SC-60-6	WORM GEAR	32-1	SC-60-32-1	SLEEVE FOR 29A
7	SC-60-7	BUSHING	33	SC-60-33	KNIFE GUARD
8	SC-60-8	HELIX GEAR	33-1	SC-60-33-1	KNIFE GUARD
9	SC-60-9	RETAINING RING	34	SC-60-34	ON-OFF HANDLE
10	SC-60-10	BALL BEARING	35	SC-60-35	SWITCH HOUSING
11	SC-60-11	GEAR SHAFT	36	SC-60-36	SLIDE
12	SC-60-12	NUT	37	SC-60-37	SPRING
13	SC-60-13	FINGER GUARD	38	SC-60-38	MICRO SWITCH
14	SC-60-14	SCREW	39	SC-60-39	SWITCH HOLDER
15	SC-60-15	SCREW	40	SC-60-40	SWITCH SLIDE
16	SC-60-16	SCREW	41	SC-60-41	L.SWITCH CLIP
17	SC-60-17	SCREW	42	SC-60-42	R.SWITCH CLIP
18	SC-60-18	CUTTING BLADE W/CARBIDE	43	SC-60-43	SWITCH HOLDER
19	SC-60-19	LEG	44	SC-60-44	BATTERY CLAMPING
20	SC-60-20	SPRING	45	SC-60-45	SCREW
21	SC-60-21	OIL FELT	46	SC-60-46	SCREW
22	SC-60-22	SCREW	48	SC-60-48	STOPPER
23	SC-60-23	HELIX GEAR SUPPORT	49	SC-60-49	KNIFE GUARD SOCKET
24	SC-60-24	10 SIDED KNIFE	50	SC-60-50	KNIFE LOCK SCREW
25	SC-60-25	KNIFE LOCK SCREW	51	SC-60-51	BATTERY 9.6V
26	SC-60-26	SHARPENER HOLDER	52	SC-60-52	BATTERY CHARGER
27	SC-60-27	SCREW	53	SC-60-53	GEAR CASE
28	SC-60-28	SQUARE SLEEVE FOR STONE	54	SC-60-54	GUIDE PLATE

\*SC-60-33-1 OPTIONAL FOR WITHOUT STONE