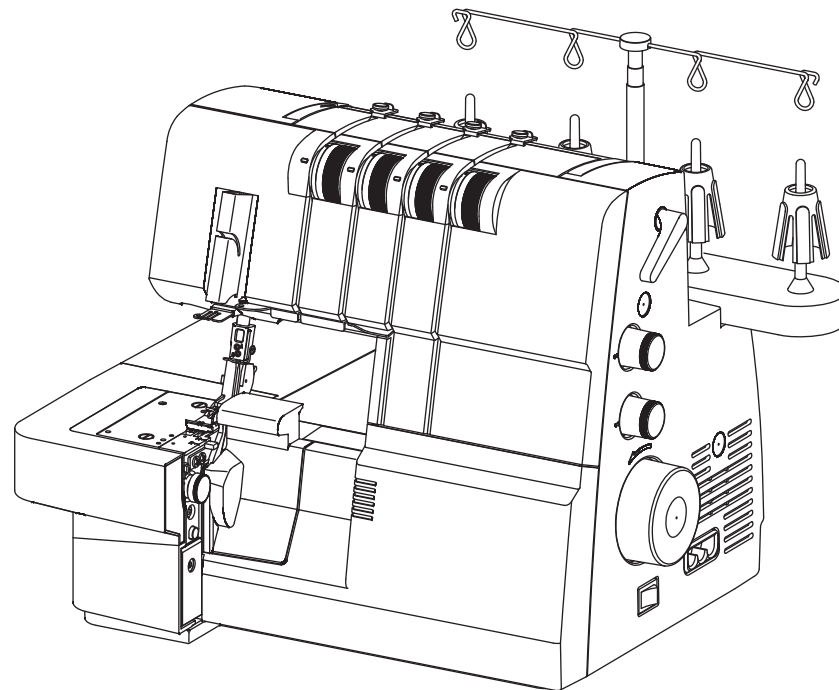


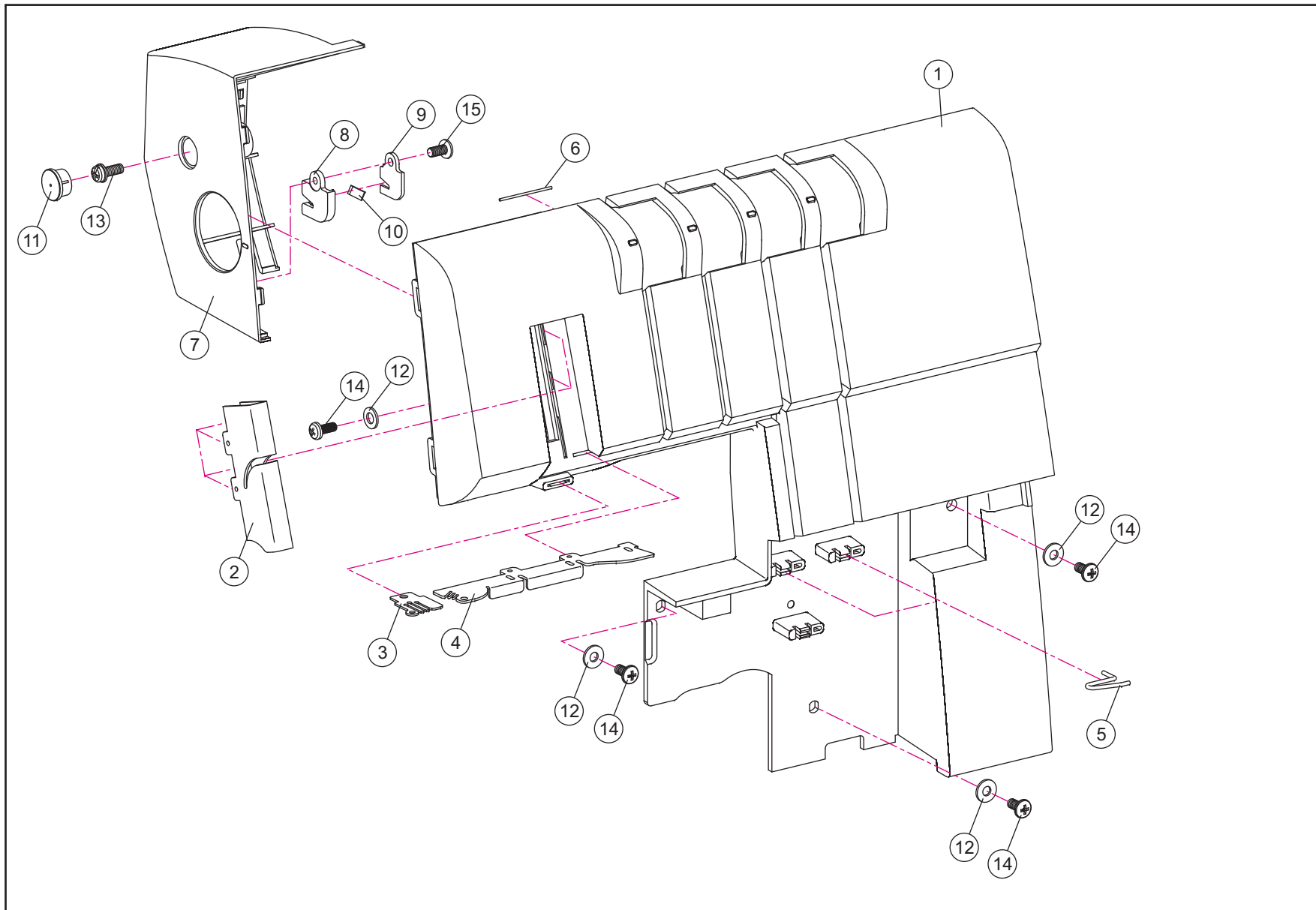
SW-4333 Parts List



CONTENTS

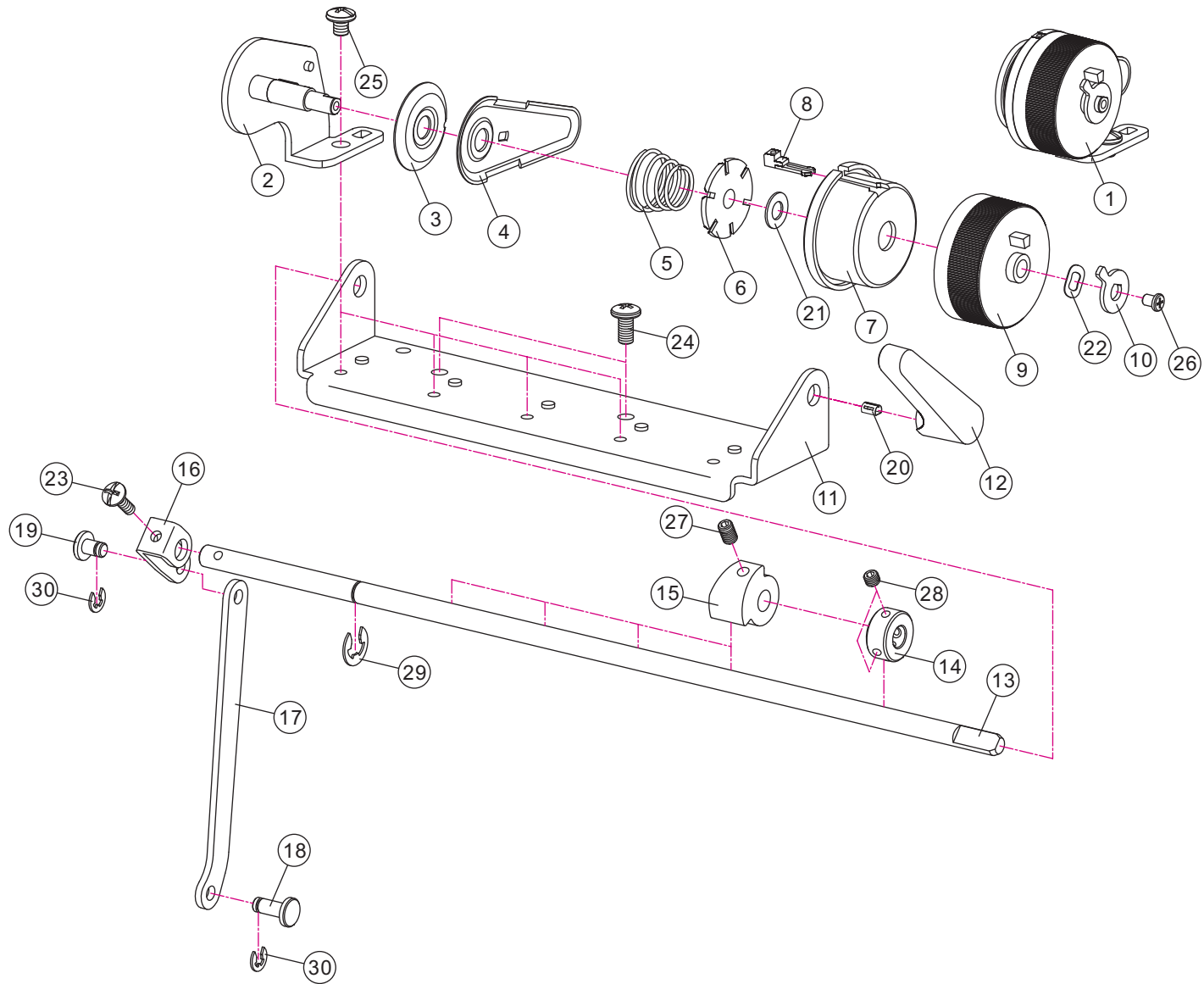
	PAGES
1. Front panel / Bulb cover	1 , 2
2. Auto tension dial	3 , 4
3. Looper cover/ Base plate	5 , 6
4. Side cover/ Flat bed extension/ Back cover/ Thread guide bar/ Spool stand/ Top cover/ Handle	7 , 8
5. Machine frame / Lower cutter / Upper cutter/ Stitch plate	9,10
6. Main shaft	11,12
7. Needle bar connecting arm	13,14
8. Stitch length dial	15,16
9. Feed dog	17,18
10. Differential feed dial	19,20
11. Needle bar/ Presser bar/ Presser foot	21,22
12. Upper looper.....	23,24
13. Lower looper	25,26
14. Electronic parts	27,28
15. Accessories.....	29,30

Note : All parts are included in a part set with the “ * “ mark are part components that cannot be ordered alone.



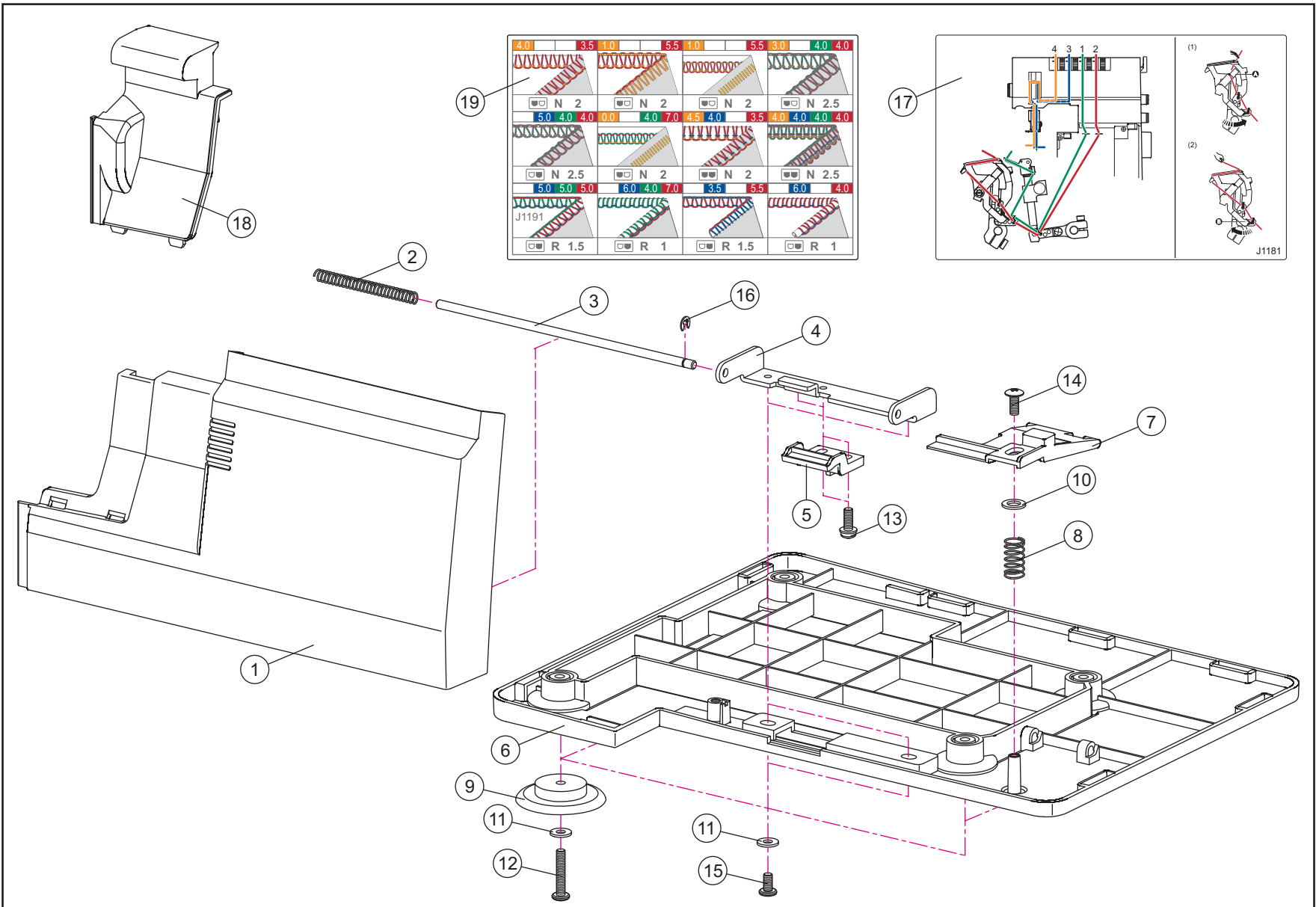
1. Front panel / Bulb cover

No.	Parts No.	Parts Name
1	J1175P005	Front panel
2	G2050	Thread take-up cover
3	G7031	Thread guide (C)
4	J1177	Thread guide (B)
5	J1147	Thread guide (A)
6	J1149	Thread guide (C)
7	J1011-111	Bulb cover
8	H1117	Knife holder
9	H1118	Knife holder cap
10	G2073	Knife
11	H1030-111	Screw cap
12	W04F10A06	Washer
13	M04L10W08	Set screw
14	M04L08A06	Set screw
15	M03L10C02	Set screw
* 16	J1175-111A	Front panel set (1, 2, 3, 4, 5, 6)
* 17	J1011-111A	Bulb cover set (8, 9, 10, 11, 15)



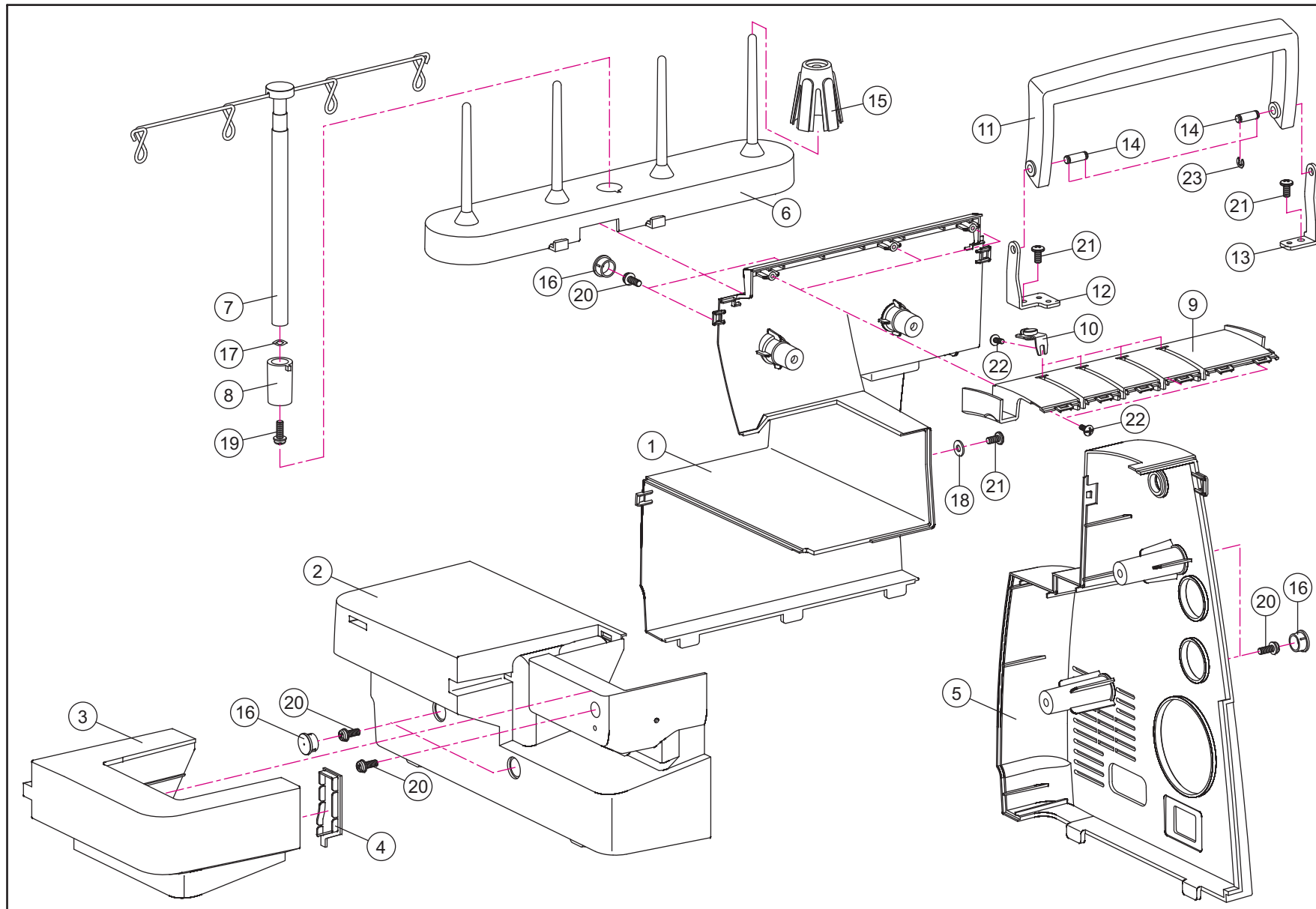
2. Tension dial

No.	Parts No.	Parts Name	No.	Parts No.	Parts Name
* 1	B1004P010F	Tension dial set (Left needle) (2, 3, 4, 5, 6, 7, 8, 9, 10, 22, 23, 26, 27)	9	B1004P001~X	Tension dial
* 1	B1004P010G	Tension dial set (Right needle) (2, 3, 4, 5, 6, 7, 8, 9, 10, 22, 23, 26, 27)	10	B10181001	Tension dial setting plate
* 1	B1004P010H	Tension dial set (Upper looper) (2, 3, 4, 5, 6, 7, 8, 9, 10, 22, 23, 26, 27)	11	G5012	Tension dial holder
* 1	B1004P010I	Tension dial set (Lower looper) (2, 3, 4, 5, 6, 7, 8, 9, 10, 22, 23, 26, 27)	12	J1024-111~X	Presser bar handle
2	G20282	Tension dial holder set	13	J1077	Release cam shaft
3	A10701004	Tension disc	14	G2040	Setting collar
4	G2019	Tension disc	15	G2024	Release cam
5	B10481006	Tension spring (Left needle)	16	G2022	Release link supporter
5	G1332	Tension spring (Right needle)	17	J1074	Release link
5	G1093	Tension spring (Upper looper)	18	G2025	Release link pin A
5	B10501003	Tension spring (Lower looper)	19	G2026	Release link pin B
6	B10131000	Tension regulate nut	20	J1097	Spring
7	B10051162	Tension regulate disc (Orange)	21	W05F10A03	Washer
7	B10051184	Tension regulate disc (Blue)	22	W05W09A01	Washer
7	B10051250	Tension regulate disc (Green)	23	M03L10I02	Set screw
7	B10051235	Tension regulate disc (Red)	24	M04L08A06	Set screw
8	B10061162	Tension regulate pin (Orange)	25	M04L4.5A04	Set screw
8	B10061184	Tension regulate pin (Blue)	26	M03L05X06	Set screw
8	B10061250	Tension regulate pin (Green)	27	M04L06E01	Set screw
8	B10061235	Tension regulate pin (Red)	28	M04L04E01	Set screw
			29	E05T06A04	E ring
			30	E03T06A04	Ering
			*31	G2040S	Setting collar set (15, 28)
			*32	G2024S	Release cam set (16, 27)
			*33	J1024-111A~X	Presser bar handle set (13, 21)



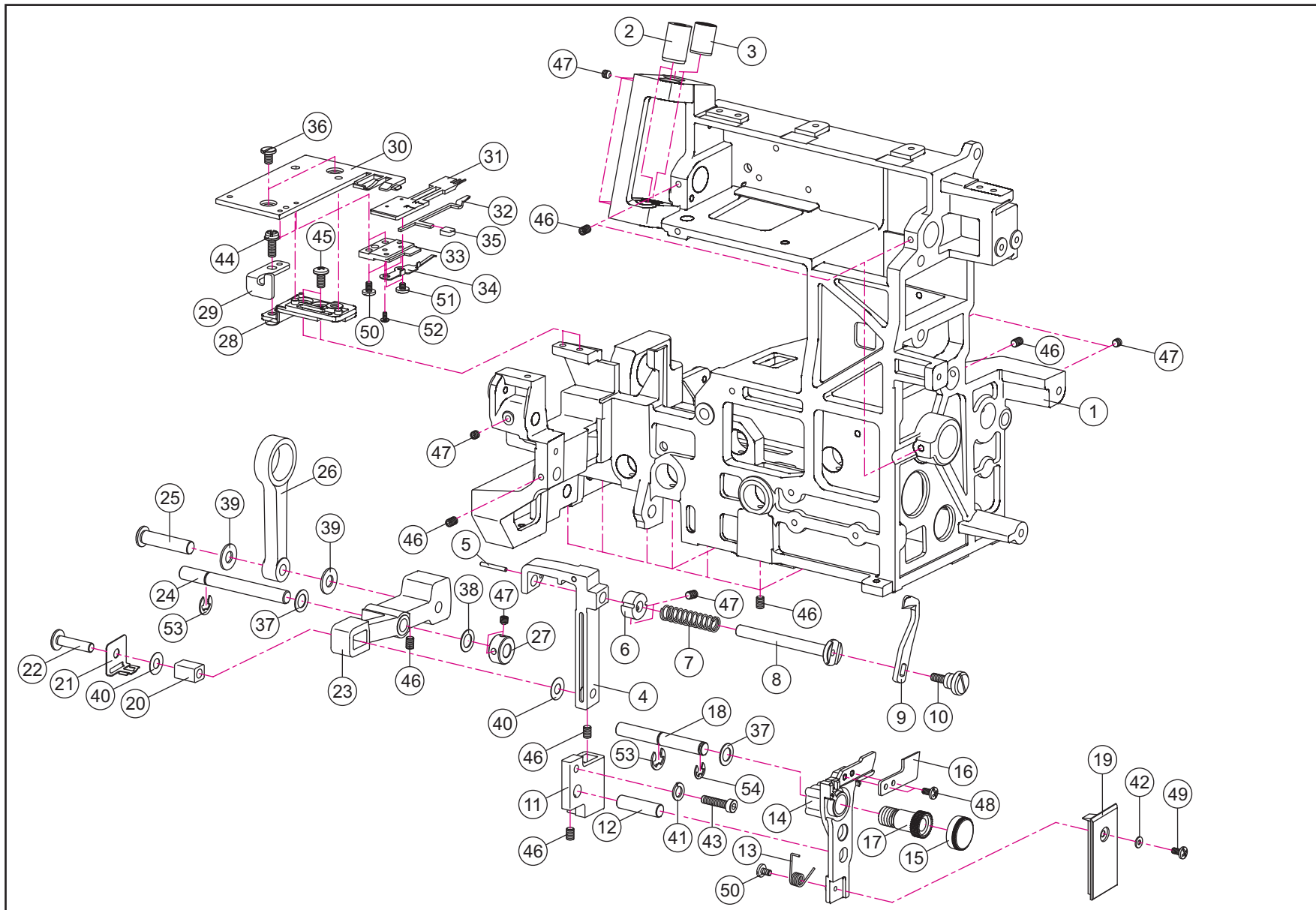
3. Looper cover/ Base plate

No.	Parts No.	Parts Name
1	J1015P019	Looper cover
2	A11061001	Spring
3	J1129	Looper cover hinge shaft
4	J1075	Looper cover hinge
5	J1025	Looper cover regulate holder
6	J1019-111	Base plate
7	J1026	Micro switch contactor
8	J1146	Spring
9	A11251000	Rubber
10	W06F11A01	Washer
11	W04F10A06	Washer
12	M04L22B06	Set screw
13	M04L10W08	Set screw
14	M04L10C06	Set screw
15	M04L08A06	Set screw
16	E03T06A04	E ring
17	J1181	Thread guide sticker
18	J1016P001~X	Cutter cover (A)
19	J1191	Stitch tension sticker



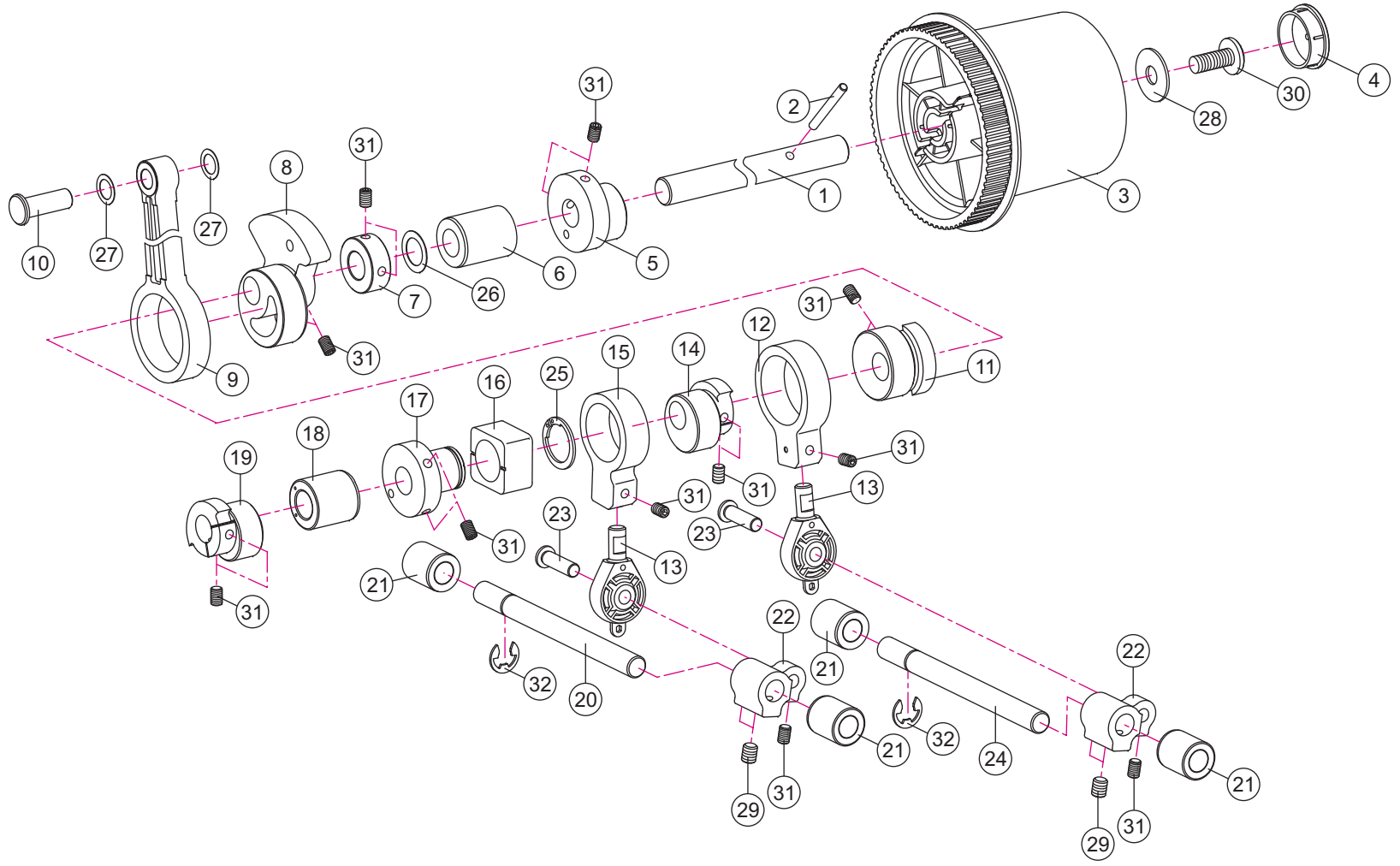
4. Side cover/ Flat bed extension/ Back cover/ Thread guide bar/ Spool stand Top cover/ Handle

No.	Parts No.	Parts Name
1	J1008-111	Back cover
2	J1012P001	Cloth plate
3	J1013P002	Attached extension table
4	J1014-111	Attached extension table attached plate
5	J1030-111	Side cover
6	H1116-111-01	Spool stand
7	H11252	Thread guides and holder
8	H1043	Extension bar setting
9	J1176-111	Top cover
10	H11302	Thread guide plate
11	J1009-111	Handle
12	J1115	Handle supporter set (A)
13	J1116	Handle supporter set (B)
14	J1150	Handle supporter pin
15	A1V01-111	Spool holder
16	H1030-111	Screw cap
17	W05W09A01	Washer
18	W04F10A06	Washer
19	M04L12W08	Set screw
20	M04L10W08	Set screw
21	M04L08A06	Set screw
22	M03L08C02	Set screw
23	E03T06A04	E ring
* 24	H11252A	Thread guides and holder set (7, 8, 17, 19)



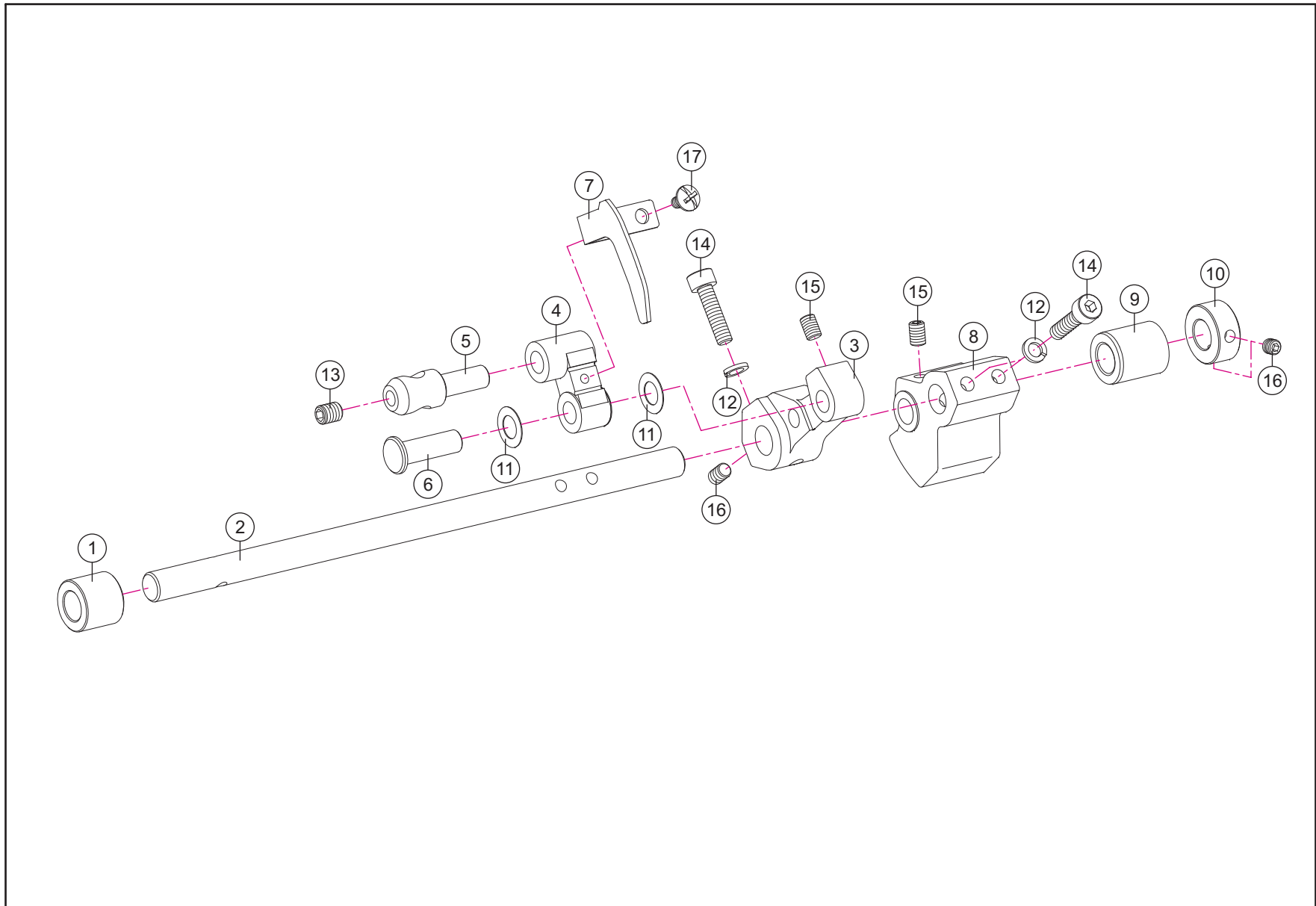
5. Machine frame/ Lower cutter/ Upper cutter/ Stitch plate

No.	Parts No.	Parts Name	No.	Parts No.	Parts Name
1	J1002	Machine frame	31	J1179	Fixed lever
2	A10371000	Needle bar bushing	32	J1101	Moving lever
3	G1265	Presser bar bushing	33	J1099	Fixed lever board
4	J1086	Upper cutter arm	34	J1100	Moving lever slide holder
5	G1144	Pin	35	B10141567	Moving lever cover
6	J1096	Upper cutter setting collar	36	G1279	Set screw
7	J1168	Upper cutter spring	37	W07F12A01	Washer
8	J1138	Upper cutter holder	38	W07T12A00	Washer
9	J1088	Upper cutter	39	W06T11A00	Washer
10	G1206	Set screw	40	W05T16A00	Washer
11	J1087	Upper cutter slide holder	41	W04S13A06	Washer
12	J1098	Slide shaft holder pin	42	W03F07A06	Washer
13	J1145	Lower cutter holder spring	43	M04L16F01	Set screw
14	J1091	Lower cutter holder	44	M04L10W08	Set screw
15	J1073P001~X	Cutting width knob	45	M04L08A06	Set screw
16	G1075	Lower cutter	46	M04L06E01	Set screw
17	J1092	Lower cutter regulate screw	47	M04L04E01	Set screw
18	J1089	Lower cutter holder shaft	48	M03L06A04	Set screw
19	J1018-111	Upper knife set cover	49	M03L06I04	Set screw
20	J1094	Upper cutter arm slide block	50	M03L05A03	Set screw
21	J1164	Upper knife arm spring	51	M03L03A03	Set screw
22	J1095	Upper cutter arm slide block pin	52	M02L04I04	Set screw
23	J1085	Upper cutter drive arm	53	E06T08A04	E ring
24	J1135	Upper cutter drive arm shaft	54	E05T06A04	E ring
25	J1090	Upper cutter link pin	* 55	J1086S	Upper cutter arm set (4, 46)
26	J1084	Upper cutter link	* 56	J1087S	Upper cutter slide holder set (11, 46)
27	A10941001	Setting collar	* 57	J1085S	Upper cutter drive arm set (23, 46)
28	J1082	Stitch plate setting board	* 58	A1094S	Setting collar set (27, 47)
29	J1083	Front feed dog guide board	59	J1080B	Stitch plate set (30, 31, 33, 34, 50, 51, 52)
30	J1080	Stitch plate			



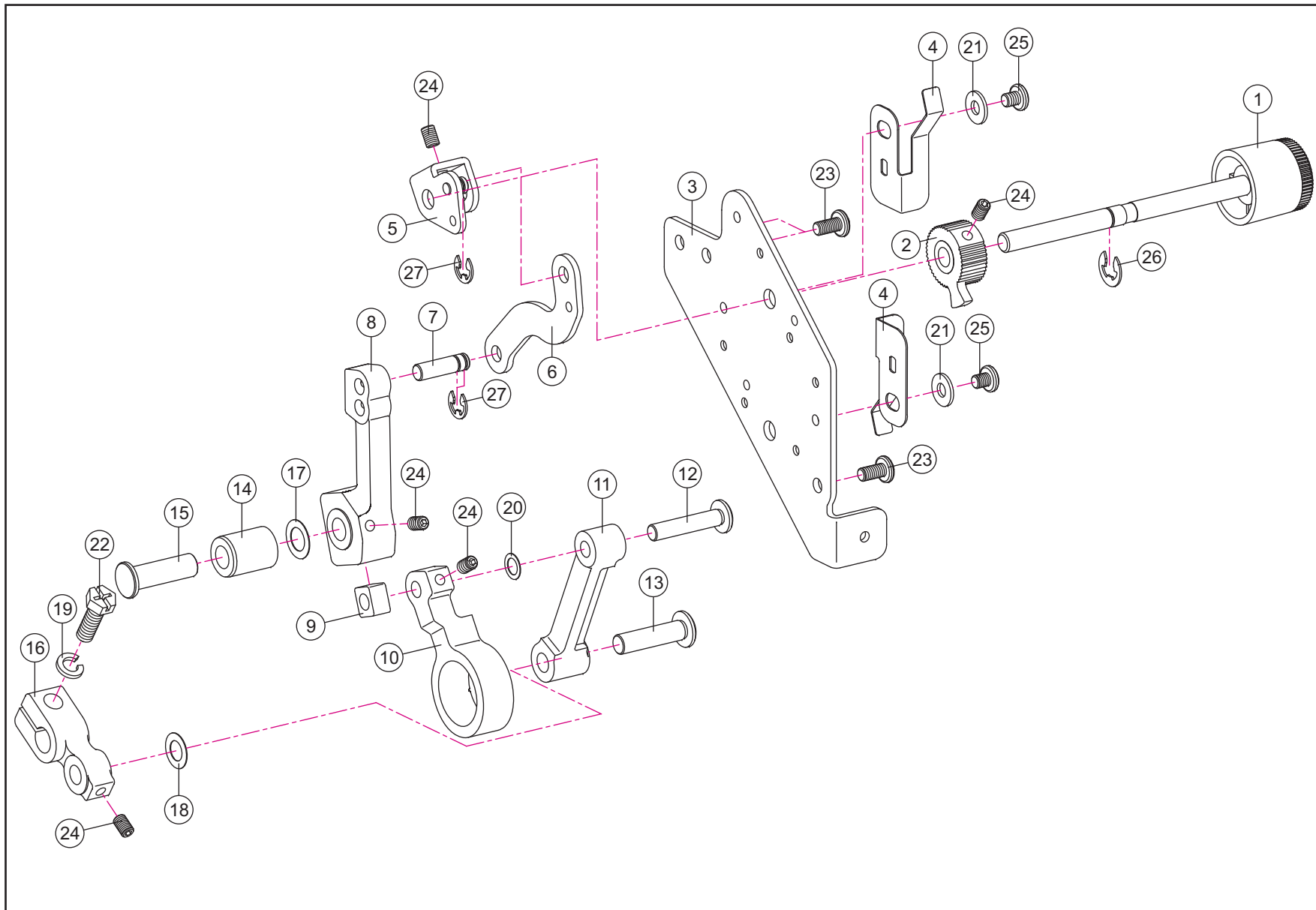
6. Main shaft

No.	Parts No.	Parts Name	No.	Parts No.	Parts Name
1	J1137	Main shaft	25	ISTW-15	Ring
2	M1210	Pin	26	W10T15A00	Washer
3	J1027-111~X	Hand wheel	27	W07T12A00	Washer
4	H1029-111~X	Handwheel cap	28	W04F14.5A1	Washer
5	A1018-01	Feed cam	29	M05L06E01	Set screw
6	A1034-01	Bushing	30	M04L10A06	Set screw
7	A10951001	Setting collar	31	M04L06E01	Set screw
8	J1050	Needle bar cam	32	E06T08A04	E-ring
9	A10081000	Needle bar link	* 33	A1018S	Bushing set (5, 31)
10	A11201000	Needle bar link pin	* 34	A1095S	Setting collar set (7, 31)
11	A11571000	Looper cam (A)	* 35	J1050S	Needle bar cam set (8, 31)
12	J1041	Upper looper shake link	* 36	A1157S	Looper cam (A) set (11, 31)
13	G12932	Bearing	* 37	J1041S	Upper looper shake link set (12, 31)
14	G1035-1	Lower looper cam	* 38	G1035-1S	Lower looper cam set (14, 31)
15	J1042	Lower looper link (A)	* 39	J1042S	Lower looper link (A) set (15, 31)
16	A40041000	Feed dog supporter slide block	* 40	J1051S	Feed dog cam set (17, 31)
17	J1051	Feed dog cam	* 41	J1053S	Upper cutter cam set (19, 31)
18	J1151	Bushing	* 42	G2041S	Looper shaft link (B) set (22, 29, 31)
19	J1053	Upper cutter cam			
20	J1131	Lower looper shaft			
21	G1040-01	Bushing			
22	G2041	Looper shaft link (B)			
23	A10791000	Looper shaft link pin			
24	J1140	Upper looper shaft			



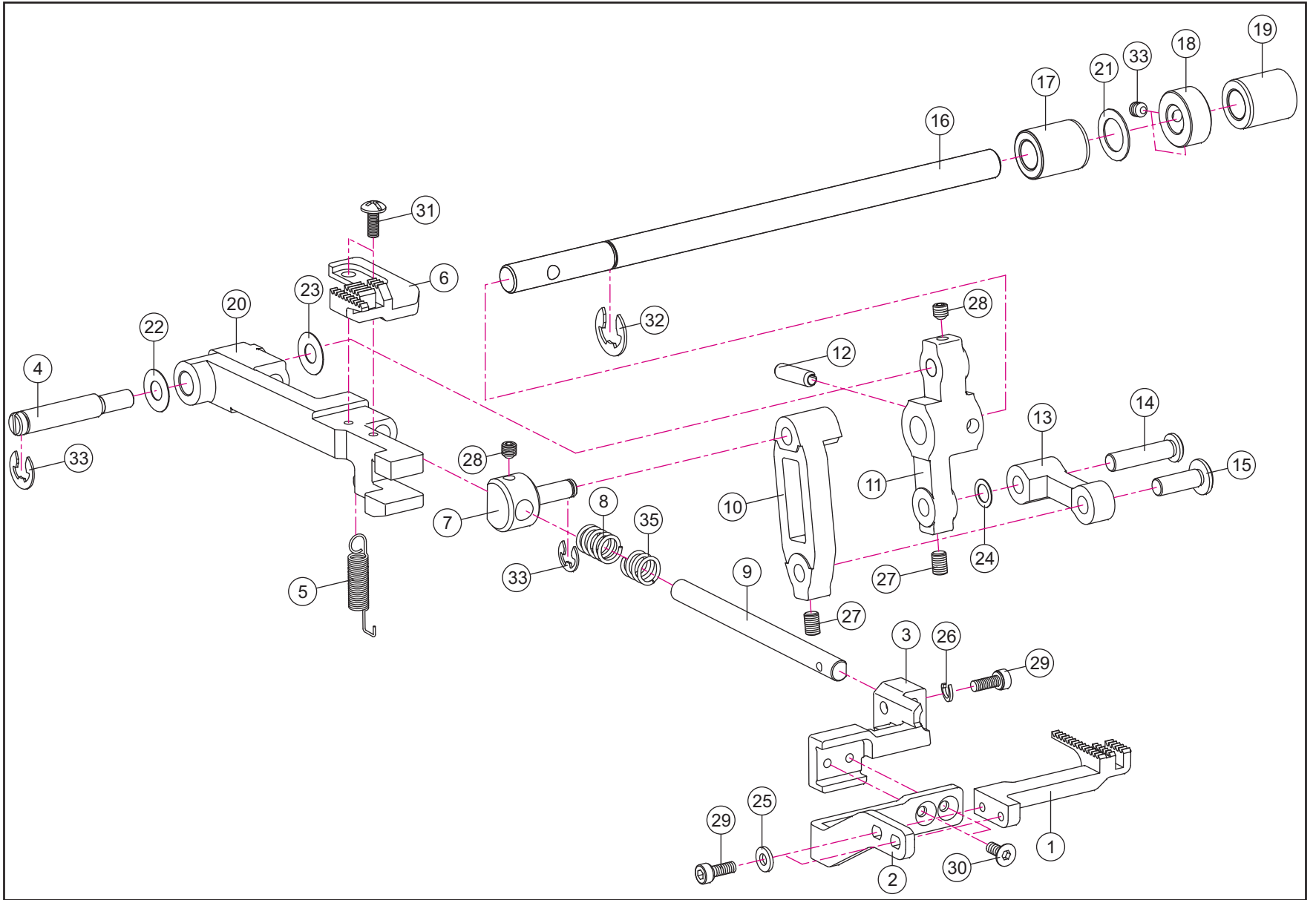
7. Needle bar connecting arm

No.	Parts No.	Parts Name
1	H1026-01	Bushing
2	J1134	Needle bar drive link shaft
3	J1103	Needle bar drive link(L)
4	G1089	Needle bar connecting arm
5	G1088	Needle bar setting link
6	A10831000	Feed drive link pin (B)
7	G2056	Needle bar thread take-up lever
8	J1104	Needle bar drive link(R)
9	G1040	Bushing
10	A10961000	Setting collar
11	W06T11A00	Washer
12	W04S13A06	Washer
13	M05L06E01	Set screw
14	M04L16F01	Set screw
15	M04L06E01	Set screw
16	M04L04E01	Set screw
17	M03L06I04	Set screw
* 18	J1103S	Needle bar drive link set (L) (3, 16)
* 19	G1088S	Needle bar setting link set (5, 14)
* 20	J1104S	Needle bar drive link set (R) (8, 16)
* 21	A1096S	Setting collar set (10, 17)



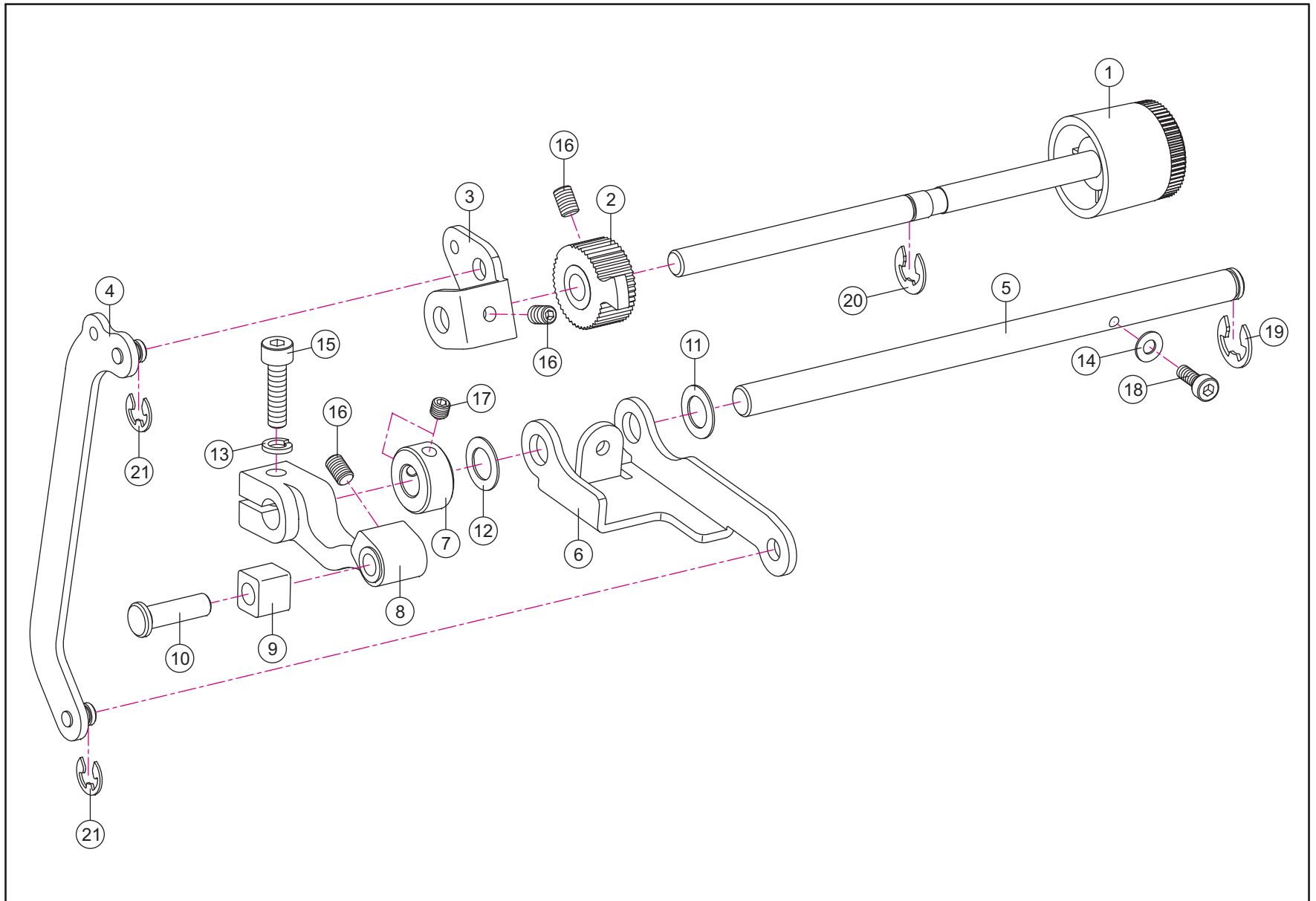
8. Stitch length dial

No.	Parts No.	Parts Name
1	J1021P001~X	Stitch length dial
2	J1152	Locating collar
3	J1117	Feed regulate holder
4	J1125	Locating spring
5	J11182	Feed regulate link set
6	J1119	Feed regulate shake link
7	G1344	Feed regulate link pin
8	G1347	Feed slide holder
9	G1099	Feed slide block
10	G1349	Feed driving lever
11	G1351	Feed shake link
12	G1055	Feed dog holder pin
13	G1352	Feed shake link pin
14	A10411000	Bushing
15	A1086-01	Feed regulate holder shaft
16	G1358	Feed link
17	W07T12A00	Washer
18	W06T11A00	Washer
19	W05S13A06	Washer
20	W05T08A00	Washer
21	W04F10A06	Washer
22	M04L15M02	Set screw
23	M04L08A06	Set screw
24	M04L06E01	Set screw
25	M04L4.5A04	Set screw
26	E05T06A04	E ring
27	E04T06A04	E ring
* 28	J1152S	Locating collar set (2, 24)
* 29	J1118S	Feed regulate link set (5, 24)
* 30	G1347S	Feed slide holder set (8, 24)
* 31	G1349S	Feed driving lever set (10, 24)
* 32	G1358S	Feed link set (16, 19, 22, 24)



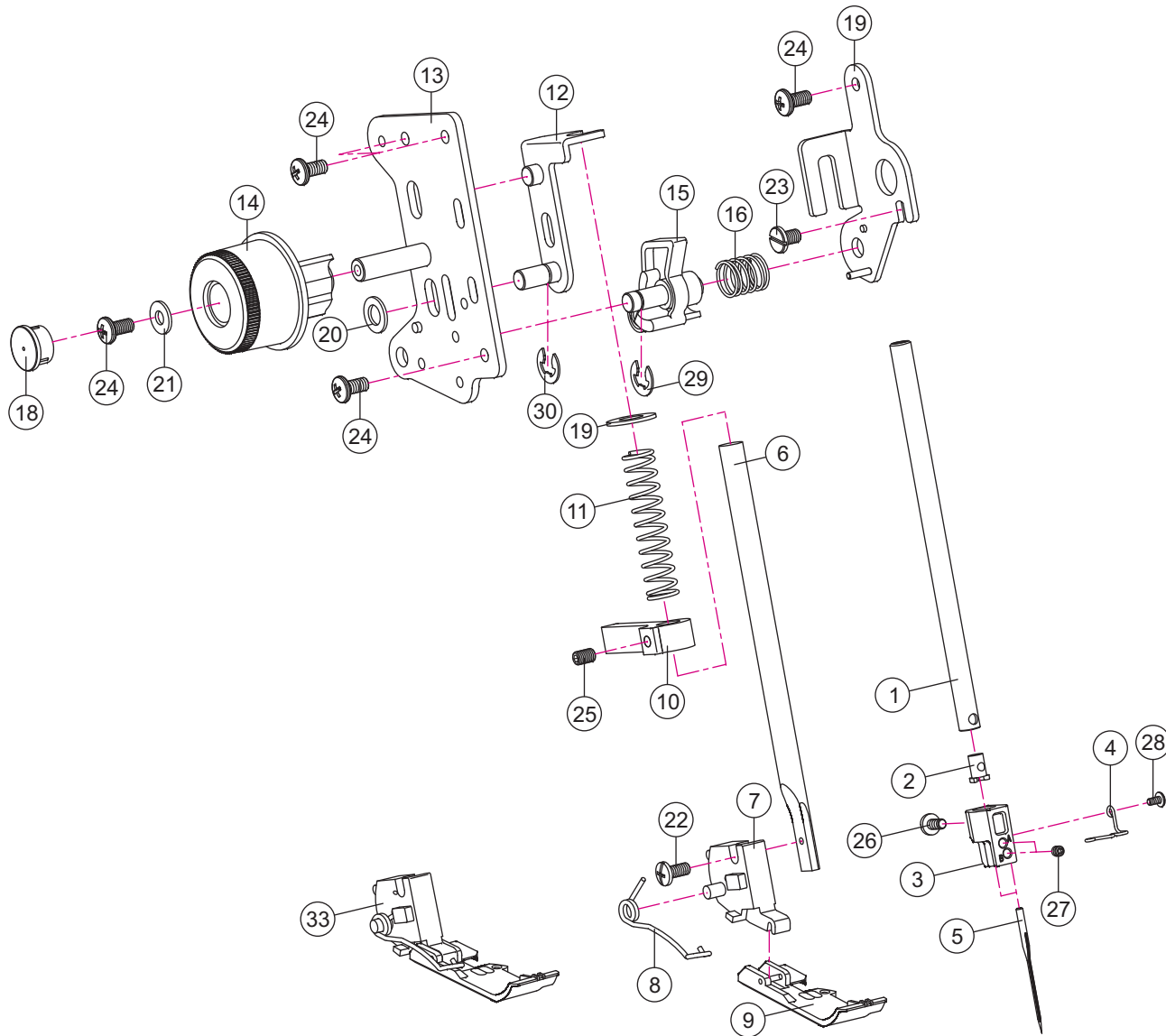
9. Feed dog

No.	Parts No.	Parts Name	No.	Parts No.	Parts Name
1	J1037	Feed dog (front)	31	M03L08I01	Set screw
2	J1036	Feed dog supporter (front)	32	E07T08A04	E ring
3	J1035	Feed dog holder (front)	33	E05T06A04	E ring
4	J1038	Eccentric pin	34	E04T06A04	E ring
5	J1121	Feed dog holder spring	35	J1192	Spring
6	J1032	Feed dog holder (rear)	* 36	J1034S	Feed dog driving lever set (7, 28)
7	J1034	Feed dog driving lever	* 37	G1045S	Differential feed slide holder set (10, 27)
8	J1167	Spring	* 38	J1160S	Feed dog shake link set (11, 27, 28)
9	J1033	Feed dog shaft	* 39	A1096S	Setting collar set (18, 33)
10	G1045	Differential feed slide holder			
11	J1160	Feed dog shake link			
12	D04L16A01	Spring pin			
13	J1040	Differential feed link			
14	G1050	Differential feed link			
15	J1061	Differential feed link pin			
16	J1123	Differential feed link pin			
17	G1040-1-01	Bushing			
18	A10961001	Setting collar			
19	G1040-01	Bushing			
20	J1031	Feed dog holder			
21	W08T12A00	Washer			
22	W06F10A01	Washer			
23	W05T12A00	Washer			
24	W05T08A00	Washer			
25	W03F07B03	Washer			
26	W03S13I04	Washer			
27	M04L06E01	Set screw			
28	M04L04E01	Set screw			
29	M03L08F01	Set screw			
30	M03L08K01	Set screw			



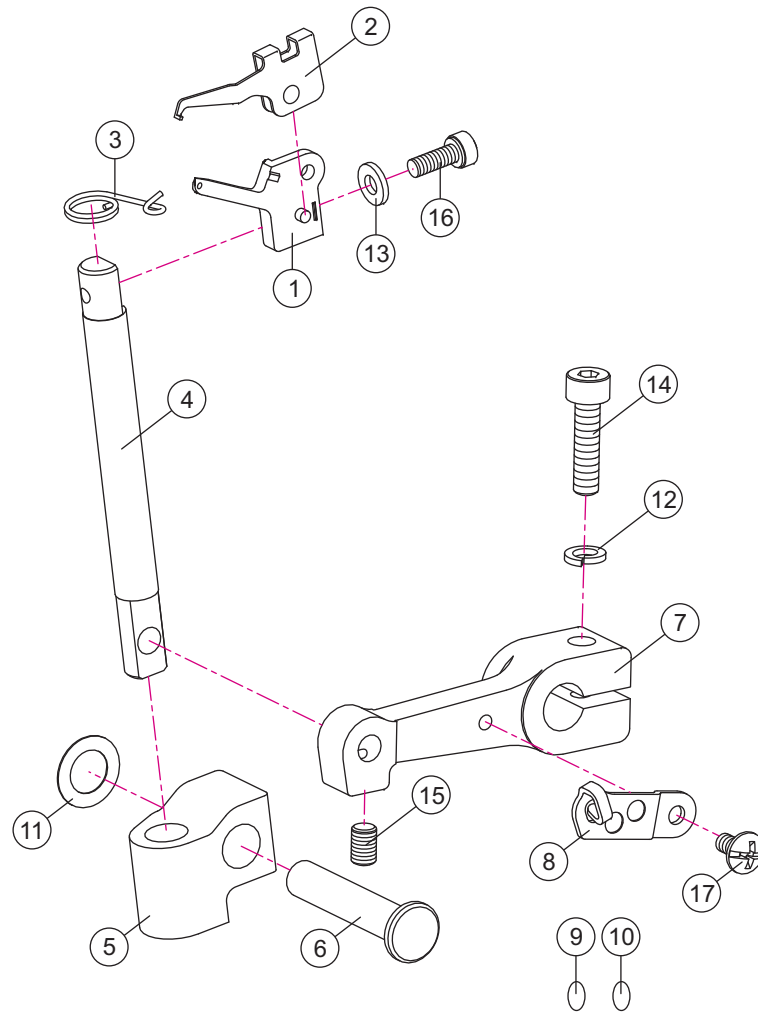
10. Differential feed dial

No.	Parts No.	Parts Name
1	J1022-111~X	Differential feed dial
2	J1152	Locating collar
3	J1054	Differential feed regulator (A)
4	J10552	Differential feed regulated link set
5	J1058	Differential feed regulated shaft
6	J1056	Differential feed regulator (B)
7	A10941001	Setting collar
8	J1159	Differential feed regulated holder
9	G1046	Differential feed slide block
10	A10791000	Looper shaft link pin
11	W07F12A01	Washer
12	W07T12A00	Washer
13	W04S13A06	Washer
14	W03F07A06	Washer
15	M04L16F01	Set screw
16	M04L06E01	Set screw
17	M04L04E01	Set screw
18	M03L08F01	Set screw
19	E06T08A04	E ring
20	E05T06A04	E ring
21	E04T06A04	E ring
* 22	J1152S	Locating collar set (2, 16)
* 23	J1054S	Differential feed regulator (A) set (3, 16)
* 24	A1094S	Setting collar set (7, 17)
* 25	J1159S	Differential feed regulated holder set (8, 13, 15, 16)



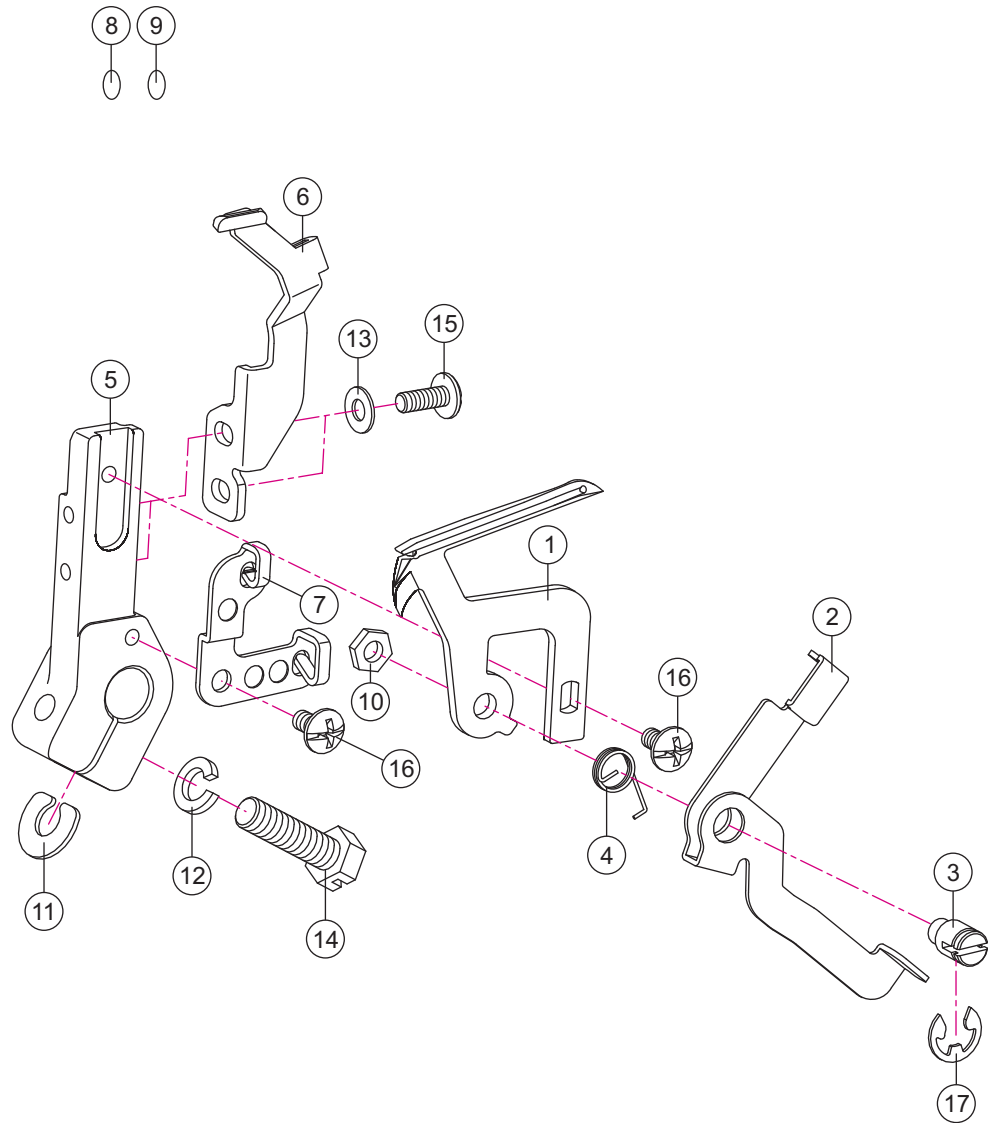
11. Needle bar/ Presser bar/ Presser foot

No.	Parts No.	Parts Name	No.	Parts No.	Parts Name
1	G1362	Needle bar	22	096408A04	Set screw
2	G1361	Needle clamp nut	23	G1279	Set screw
3	E10102	Needle clamp	24	M04L08A06	Set screw
4	A11101000	Needle clamp thread guide	25	M04L06E01	Set screw
5	A1K044000	Needle	26	M03L06A04	Set screw
5	A1K014000	Needle	27	M03L05H01	Set screw
5	A1K051000	Needle	28	M02L04I04	Set screw
5	A1K06	Needle	29	E05T06A04	E ring
6	G1266	Presser bar	30	E04T06A04	E ring
7	A1A021004	Presser bar holder	* 31	G1362A	Needle clamp set (1, 2, 3, 4, 5, 27, 28, 29)
8	G1022	Spring	* 32	G1362C~X	Needle clamp set (1, 2, 3, 4, 5, 6, 27, 28, 29)
9	G2076	Presser foot	* 33	G20762	Presser foot (8, 9 , 10)
10	G2016	Presser bar setting link	* 34	G2016S	Presser bar setting link set(11, 25)
11	G2066	Presser bar spring			
12	J11102	Pressure regulator			
13	J11082	Needle bar locate support			
14	J1020P001~X	Presser bar dial			
15	J1143	Presser bar lifter			
16	G2020	Presser bar lifter spring			
17	J1107	Presser bar setting bar holder			
18	H1030-111	Screw cap			
19	W07F15A06	Washer			
20	W06F11A01	Washer			
21	W04F10A06	Washer			



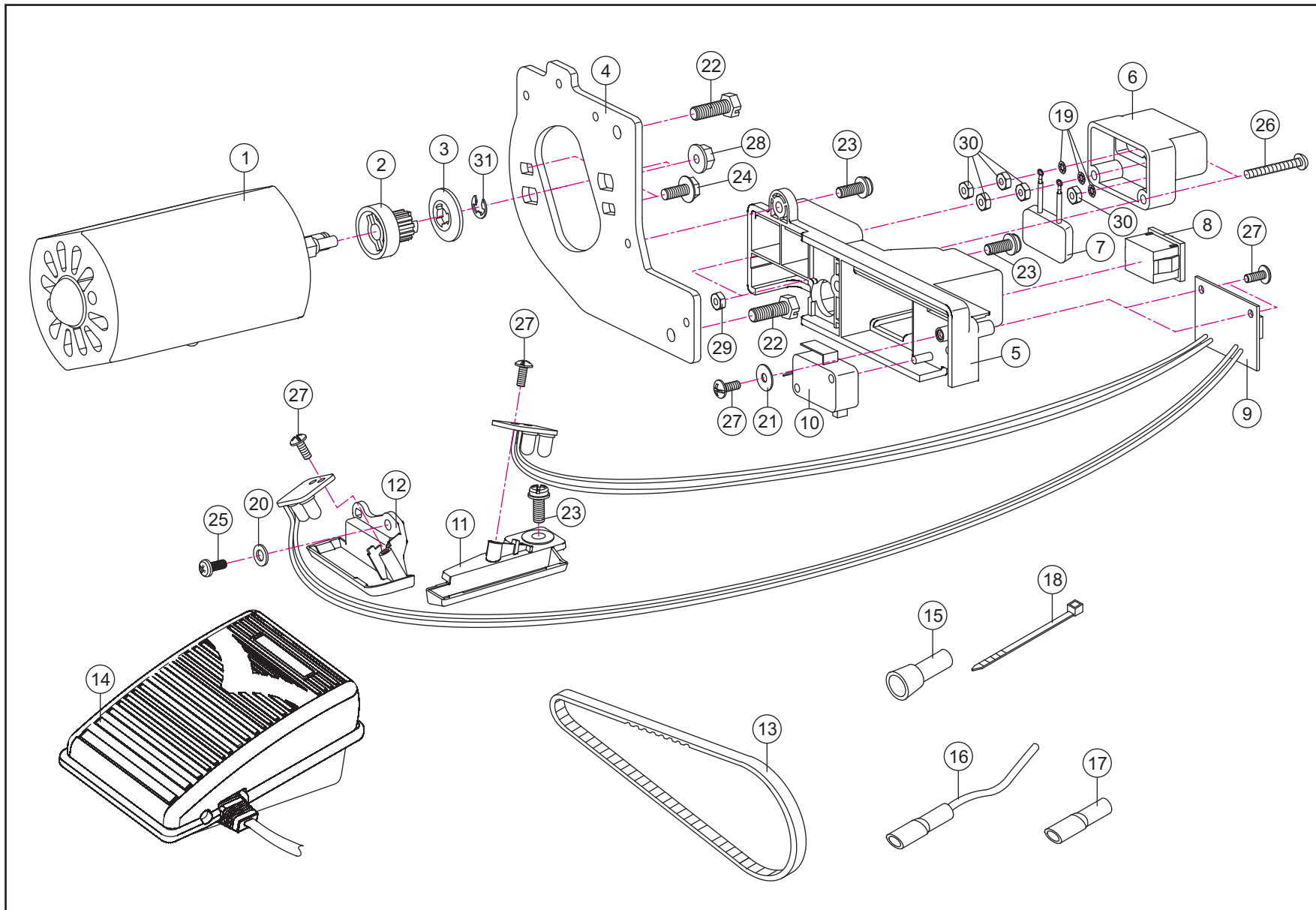
12. Upper looper

<u>No.</u>	<u>Parts No.</u>	<u>Parts Name</u>	<u>No.</u>	<u>Parts No.</u>	<u>Parts Name</u>
1	G1261	Upper looper	* 18	G2032S	Upper looper connecting arm set (7, 12, 14, 15)
2	G1303	2-thread converter	* 19	J1169A	Lower looper thread take-up lever set (8, 9, 10)
3	G1271	Upper looper threading guide			
4	G1263	Slide shaft			
5	J1102	Slide shaft holder			
6	J1111	Slide shaft holder pin			
7	G2032	Upper looper connecting arm			
8	J1169	Lower looper thread take-up lever			
9	A11481250	Color sticker (green)			
10	A11481235	Color sticker (red)			
11	W07T12A00	Washer			
12	W04S13A06	Washer			
13	W03F07B03	Washer			
14	M04L16F01	Set screw			
15	M04L06E01	Set screw			
16	M03L08F01	Set screw			
17	M03L06I04	Set screw			



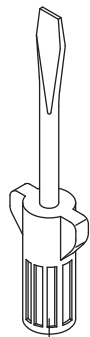
13. Lower looper

<u>No.</u>	<u>Parts No.</u>	<u>Parts Name</u>
1	J1064	Lower looper
2	J1072	Auto threader
3	G1149	Auto threader shaft
4	A30051001	Auto threader spring
5	J1063	Lower looper supporter
6	J1065	Lower looper protect board
7	J1155	Lower looper thread guide
8	A11481250	Color sticker (green)
9	A11481235	Color sticker (red)
10	G2069	Nut
11	G1287	Washer
12	W05S13A06	Washer
13	W03F07A06	Washer
14	M05L18M02	Set screw
15	M03L08I01	Set screw
16	M03L06I04	Set screw
17	E04T06A04	E ring
* 18	J1063S	Lower looper supporter set (5, 12, 14)
* 19	J1155A	Lower looper thread guide set (7, 8, 9)



14. Electronic parts

No.	Parts No.	Parts Name	No.	Parts No.	Parts Name
1	3M-803A404	Motor (100V)	17	EE0511184	Terminal W/un-transparent insulation tube
1	KM-6390U	Motor (115V)	18	EE0112004	Cord clip
1	WM-298I-926	Motor (220V/ 60Hz/ 90W)	19	M9838	Washer
1	WM-298I-9	Motor (230V/ 50Hz/ 90W)	20	W04F10A06	Washer
1	WM-298D-9S	Motor (230V/ 60Hz/ 120W)	21	W03F10B03	Washer
2	A11411000	Timing belt pulley	22	M05L15M02	Set screw
3	A11421000	Timing belt pulley cover	23	M04L10W08	Set screw
4	J1128	Motor supporter	24	M04L10P04-1	Set screw
5	J1028	Switch supporter	25	M04L08A06	Set screw
6	M6834Z	Machine socket	26	M03L20B03	Set screw
7	KC98-18A	Condenser	27	M03L08C02	Set screw
7	KC98-18	Condenser	28	M04H50D04	Nut
7	KC98-18S	Condenser	29	M03H24A07	Nut
8	EE378	Switch	30	M03H24A03	Nut
9	J11302	LED PCB (115V)	31	E04T06A04	E ring
9	J11572	LED PCB (230V)			
10	EE619	Micro switch			
11	J1174	LED PCB holder (A)			
12	J1173	LED PCB holder (B)			
13	H1011	Timing belt			
14	4C-315A221	Foot controller (100V) Japan			
14	4C-316B22	Foot controller (115V) U.S.A.			
14	4C-316C24	Foot controller (220V) Argentina			
14	4C-316C28	Foot controller (220V) Middle East			
14	4C-326C22	Foot controller (220V) South Africa			
14	4C-316C26	Foot controller (220V) Korea			
14	4C-326G22	Foot controller (220V) Europe			
14	4C-326G25	Foot controller (230V) U.K.			
14	4C-336G23	Foot controller (240V) Australia & New Zealand			
15	EE0191000	C4 End terminal			
16	EE0501000	Terminal W/transparent insulation tube			



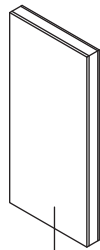
1



2



3



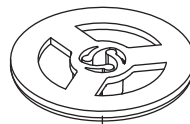
4



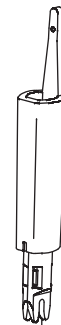
5



6



7



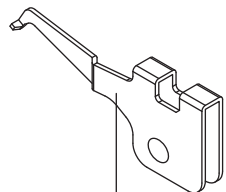
8



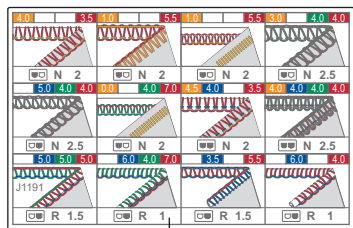
9



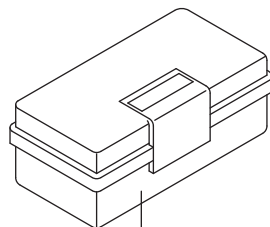
10



11



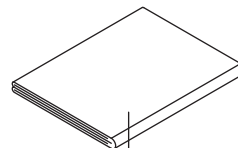
12



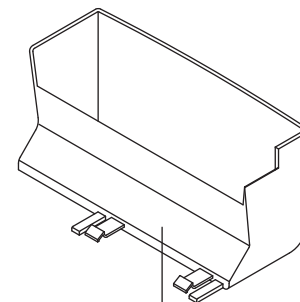
13



14



16



16

15. Accessories

<u>No.</u>	<u>Parts No.</u>	<u>Parts Name</u>
1	A1F011211	Flat blade screw driver
2	A1E011000	Oiler
3	A1I011000	Brush
4	A1K053000	Needle set
4	600172-000	Needle set
4	A1K082	Needle set
4	A1J013000	Needle set
5	A1L011000	Anti-spill net
6	G1076	Upper cutter
7	A1C01-111	Thread unwinding spool cap
8	H10422-01	Needle threader
9	A1V011-111	Screw driver
10	H1032	Tweezers
11	G1303A	2-thread converter set
12	J1185	Stitch tension sticker
13	G2071	Accessory box
14	A1V011-111	Spool holder
15	J1172	Dust cover
16	G2064-111	Chip box
17	G2071A~z	Accessory box set (No.1, 2, 3, 4, 5, 6, 7, 8, 9, 10, 11, 12, 13)

