



TITAN DK 2500 OVERLOCKER

SPARE PARTS

NV. A. DE KONINCK

Avenue Sleenckx 84-86

B-1030 BRUSSELS - BELGIUM

Phone : ++32/2 216 31 40 Fax : ++32/2 242 41 89

EMAIL : info@titansew.com

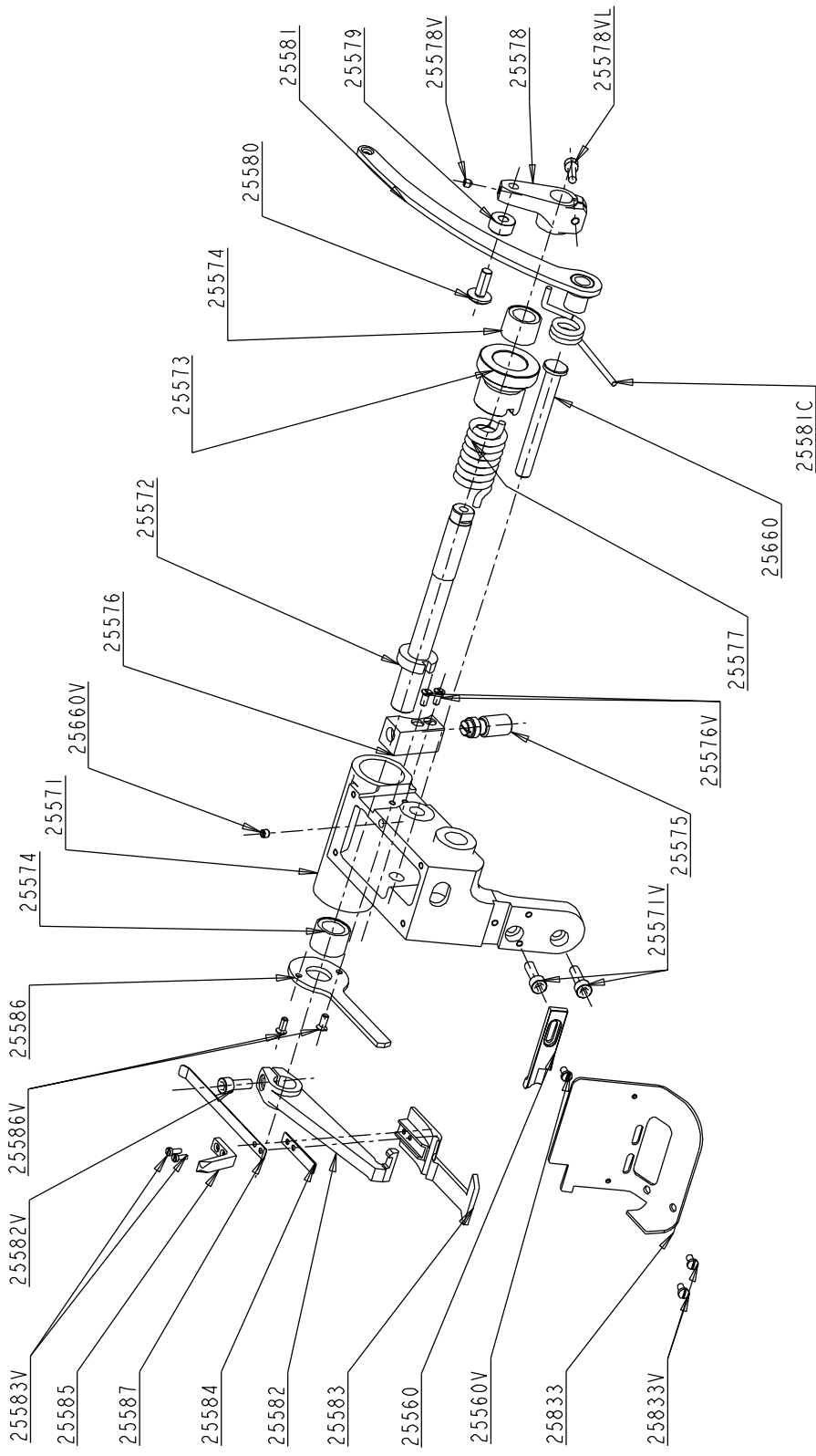
INDEX SPARE PARTS

PRESSERFOOT MECHANISM.....	1+1A
NEEDLE BAR MECHANISM.....	2+2A
FEEDDOG MECHANISM.....	3+3A
LOOPER MECHANISM.....	4+4A
CRANKSHAFT.....	5+5A
EXTERNAL PARTS.....	6+6A
DCD CUTTING MECHANISM.....	7+7A
RPE EXTERNAL STITCH DENSITY ADJUSTER.....	8+8A
NCV NEEDLE COOLER.....	8+8A
SET 30566 TAPE GUIDE.....	9+9A
25844D+S MACHINE HOLDER.....	9+9A
FH OIL FILTERING SYSTEM.....	10+10A
CCA CHAIN CUTTING.....	11+11A
CP PNEUMATIC FOOTLIFT + TENSION OPENER.....	12+12A
CP DAC PNEUMATIC FOOTLIFT.....	13+13A
DK 2600 + DK2600CV PULLER.....	14+14A
DK 2600 DAC PULLER DAC.....	15+15A
TA+TAP TEFLON PLATE.....	16+16A
PBN YARN STAND.....	17+17A
UKM CUTTING MECHANISM.....	18+18A
INDEX.....	19 - 33

**WHEN ORDERING SPARE PARTS FOR LEFTHAND
OVEREDGING MACHINE DK2500L , PLEASE MENTION “ L ”
AFTER EVERY REFERENCE NUMBER**

TITAN DK2500 PRESSUREFOOT MECHANISM

1A



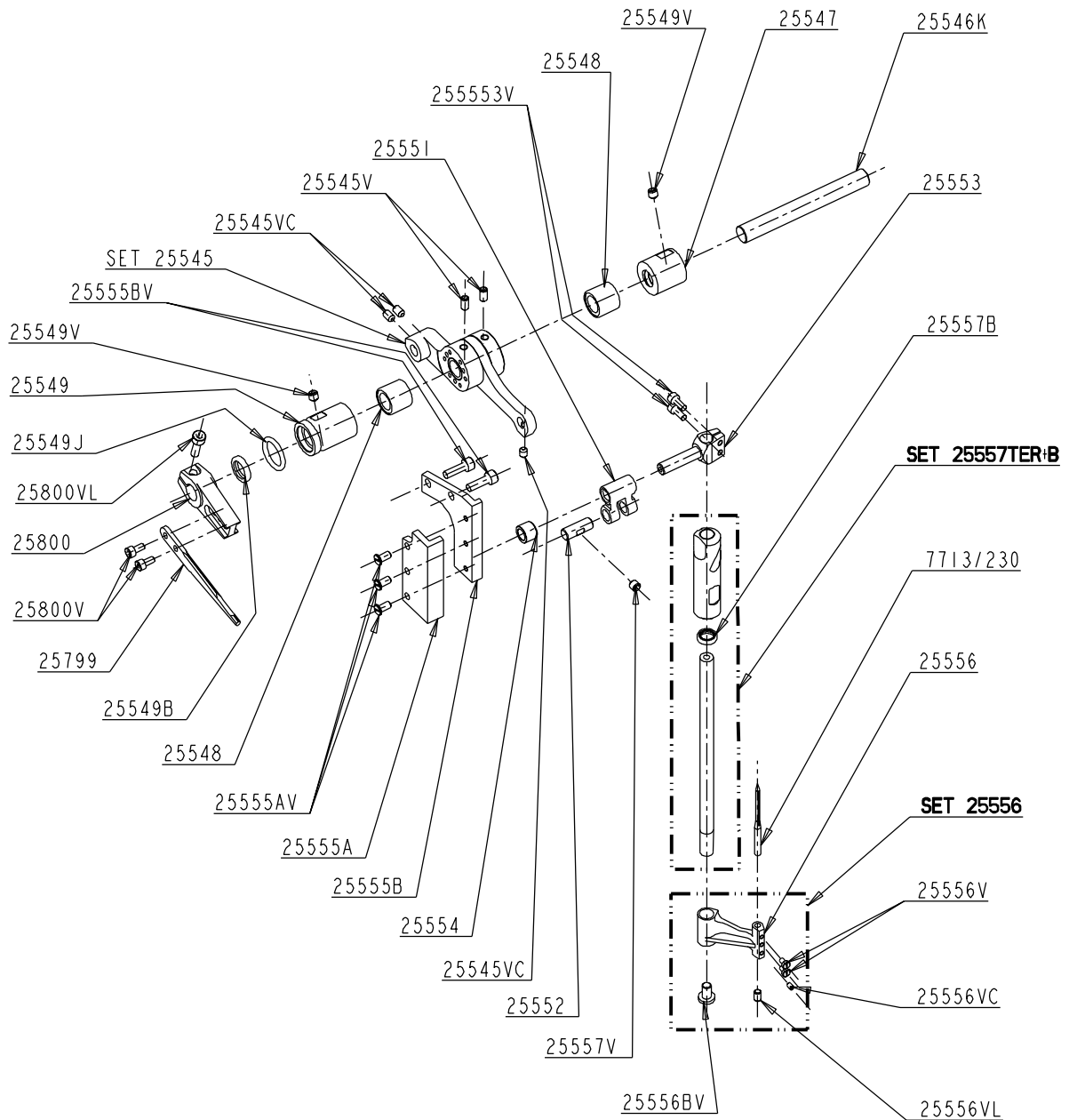
TITAN DK 2500
PRESSURE FOOT MECHANISM

1

Code Nr	Description
25560	CHAIN GUIDE
25560V	SCREW
25571	FRAME
25571V	SCREW
25572	LEVER SHAFT
25573	BUSHING
25574	BEARING
25575	REGULATING SCREW
25576	REGULATING SCREW HOLDER
25576V	SCREW
25577	FOOT LIFTER SPRING
25578	RISE LEVER
25578V	SCREW
25578VL	SCREW
25579	ROLLER
25580	ROLLER STUD
25581	PRESSER FOOT LEVER
25581C	RETURN SPRING
25582	LEVER
25582V	SCREW
25583	PRESSURE FOOT
25583V	SCREW
25584	SPRING
25585	HOLDER FOR PARALLELISM
25586	CONNECTING ROD
25586V	SCREW
25587	FOLIUM
25660	SHAFT
25660V	SCREW
25833	PROTECTIVE PLATE
25833V	SCREW

2A

TITAN DK2500 NEEDLE BAR MECHANISM

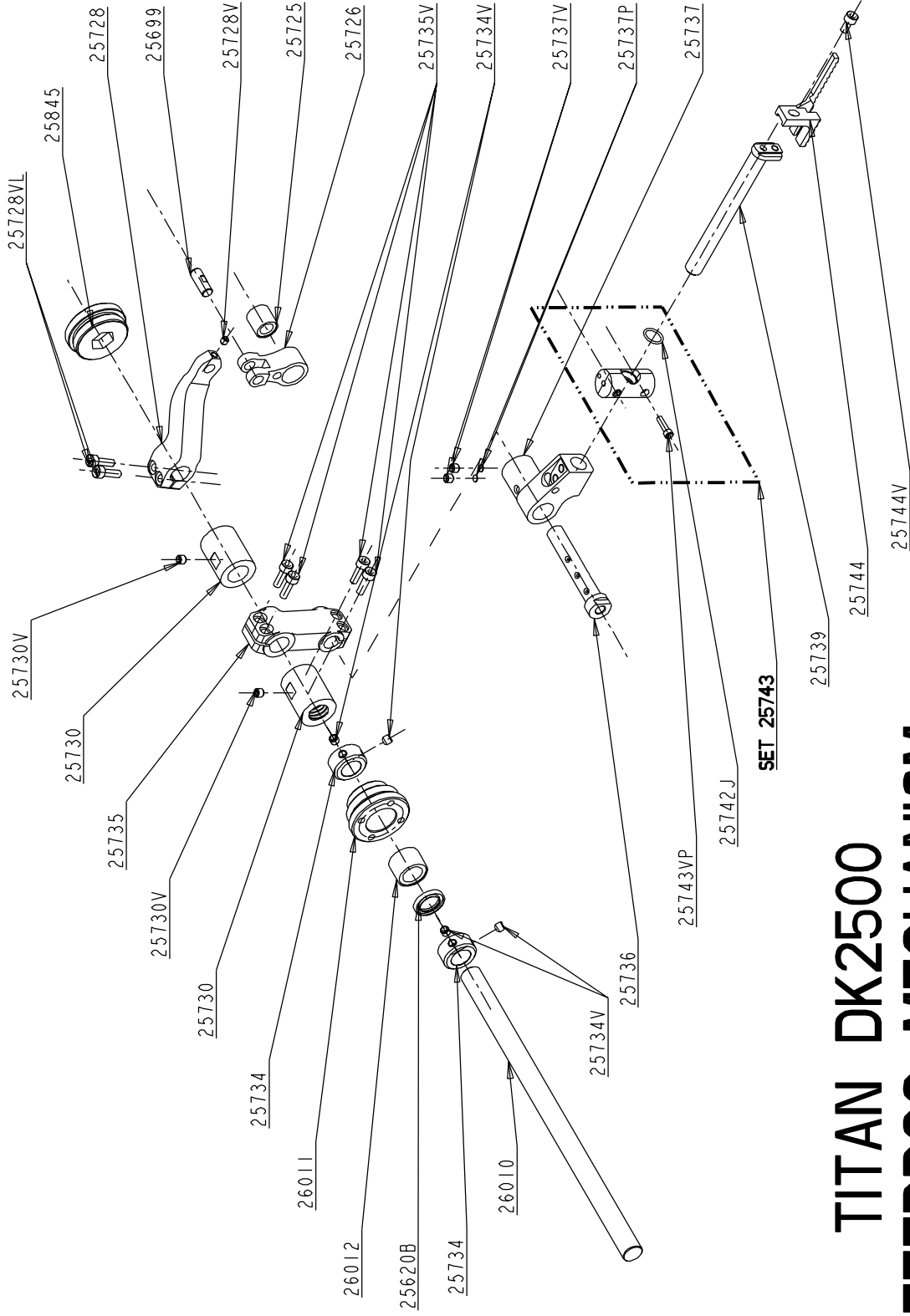


TITAN DK 2500
NEEDLE BAR MECHANISM

2

Code Nr	Description
SET 25556	NEEDLE CLAMP ASSEMBLY
25556	NEEDLE CLAMP
25556V	SCREW
25556VC	SCREW
25556VL	SCREW
25556BV	SCREW
SET 25557TER+B	NEEDLE BAR BUSHING
25557B	SEAL
SET 25545	NEEDLE BAR LEVER
25545V	SCREW
25545VC	SCREW
25546K	ECCENTRIC SHAFT
25547	BUSHING
25548	BEARING
25549	BUSHING
25549B	SEAL
25549J	O-RING
25549V	SCREW
25551	CONNECTION LINK
25552	LINK SHAFT
25553	CONNECTION STUD
25553V	SCREW
25554	GUIDE ROLLER
25555A	NEEDLE BAR GUIDE A
25555AV	SCREW
25555B	NEEDLE BAR GUIDE B
25557V	SCREW
25558BV	SCREW
25799	THREAD TAKE UP
25800	THREAD TAKE UP LEVER
25800V	SCREW
25800VL	SCREW
7713/230	NEEDLE

3A

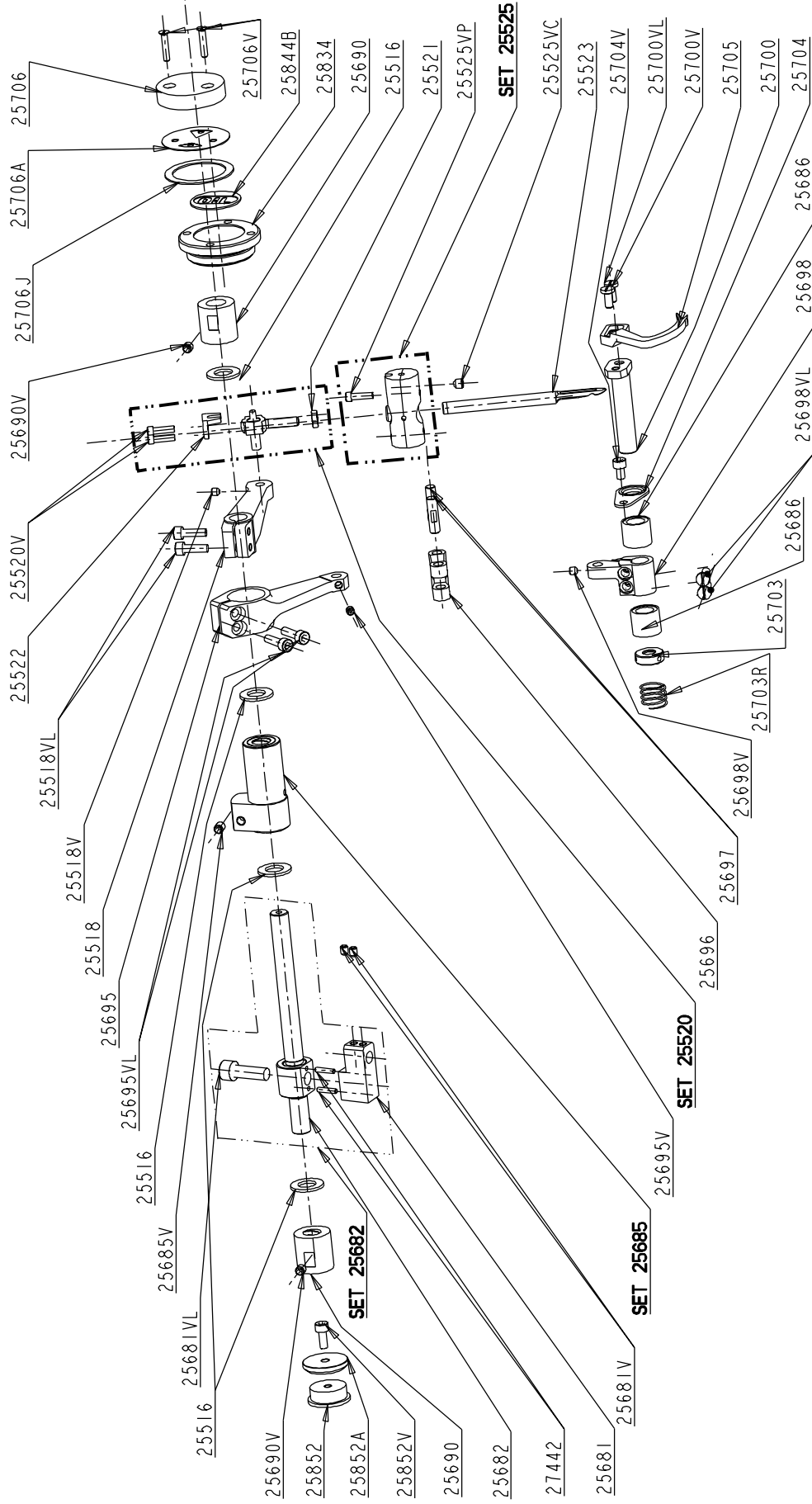


TITAN DK2500 FEEDDOG MECHANISM

TITAN DK 2500
FEEDDOG MECHANISM

Code Nr	Description
SET 25743	COMPLETE FEEDDOG SHAFT GUIDE
25743VP	SCREW
25742J	O-RING
25620B	SEAL-RING
25699	PIN
25725	BEARING
25726	FEED DRIVING ROD
25728	FEED DRIVING LEVER
25728V	SCREW
25728VL	SCREW
25730	BUSHING
25730V	SCREW
25734	THRUST COLLAR
25734V	SCREW
25735	LEVER
25735V	SCREW
25736	STUD
25737	BASE
25737P	PROTECTION
25737V	SCREW
25739	FEEDDOG SHAFT
25744	FEEDDOG
25744V	SCREW
25782VL	SCREW
25845	PLUG
26010	SHAFT
26011	BUSHING
26012	BEARING

4A



TITAN DK2500 LOOPER MECHANISM

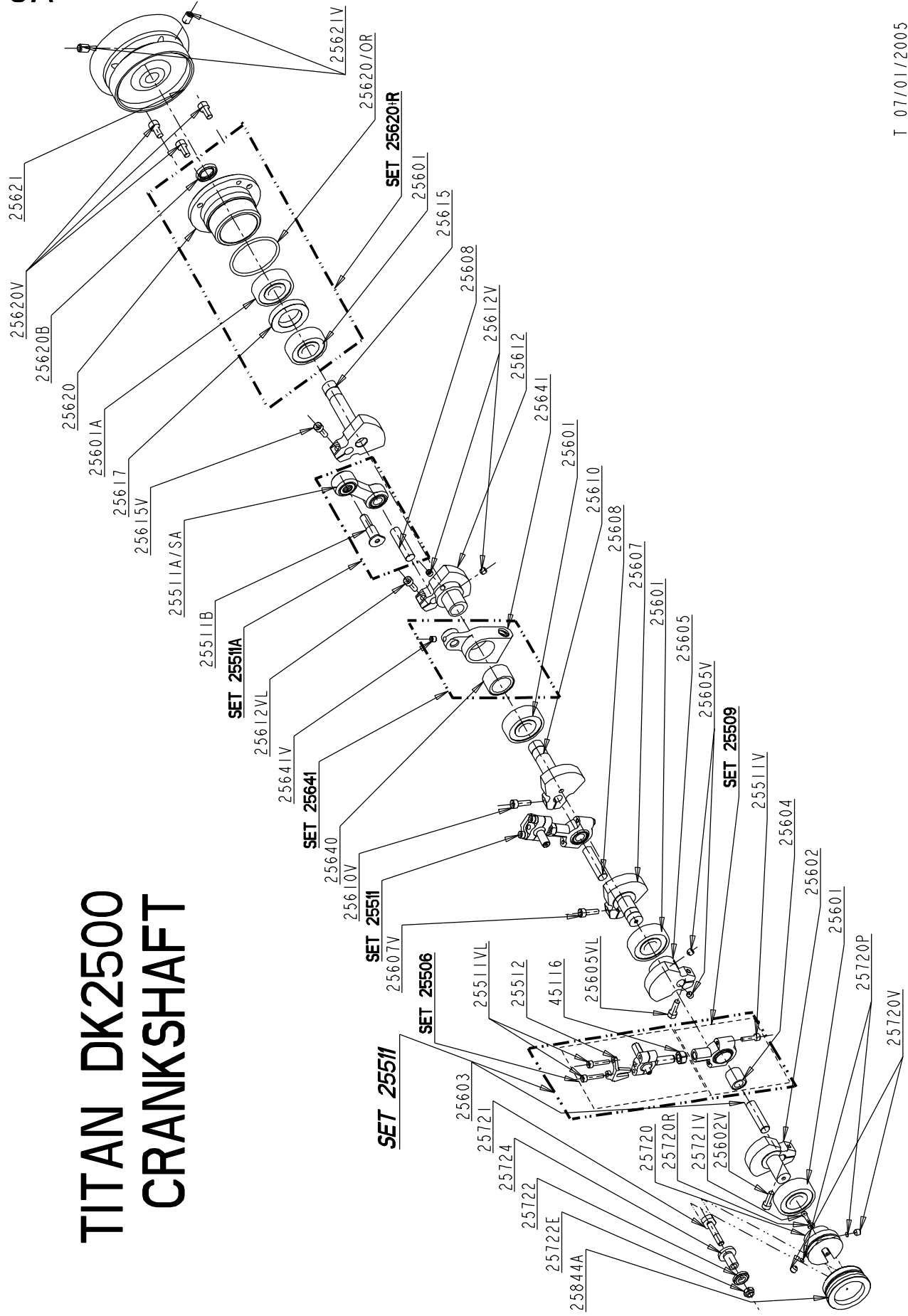
TITAN DK 2500
LOOPER MECHANISM

4

Code Nr	Description
SET 25520	COMPLETE BALL JOINT
25521	NUT
25522	BALL JOINT GUIDE FORK
25520V	SCREW
SET 25525	UNDER LOOPER GUIDE COMPL
25525VP	SCREW
SET 25685	COMPLETE INTERMEDIARY ASSEMBLY
SET 25682	COMPLETE LOOPER SCHAFT
25681	SMALL LEVER
25681VL	SCREW
25682	SHAFT
27442	PIN
25516	WASHER
25518	DRIVING LEVER
25518V	SCREW
25518VL	SCREW
25523	LOWER LOOPER
25525VC	SCREW
25681V	SCREW
25685V	SCREW
25690	BUSHING
25690V	SCREW
25695	BIG LEVER
25695V	SCREW
25695VL	SCREW
25696	CONNECTION
25697	LINK PIN
25698	SMALL LEVER
25698V	SCREW
25698VL	SCREW
25700	UPPER LOOPER
25700V	SCREW
25700VL	SCREW
25703	WASHER
25703R	SPRING
25704	THRUST PLATE
25704V	SCREW
25705	UPPER LOOPER
25706	OIL WINDOW
25706A	STICKER
25706J	GASKET
25706V	SCREW
25834	PLUG
25844B	STICKER
25852	PLUG
25852A	WASHER
25852V	SCREW

5A

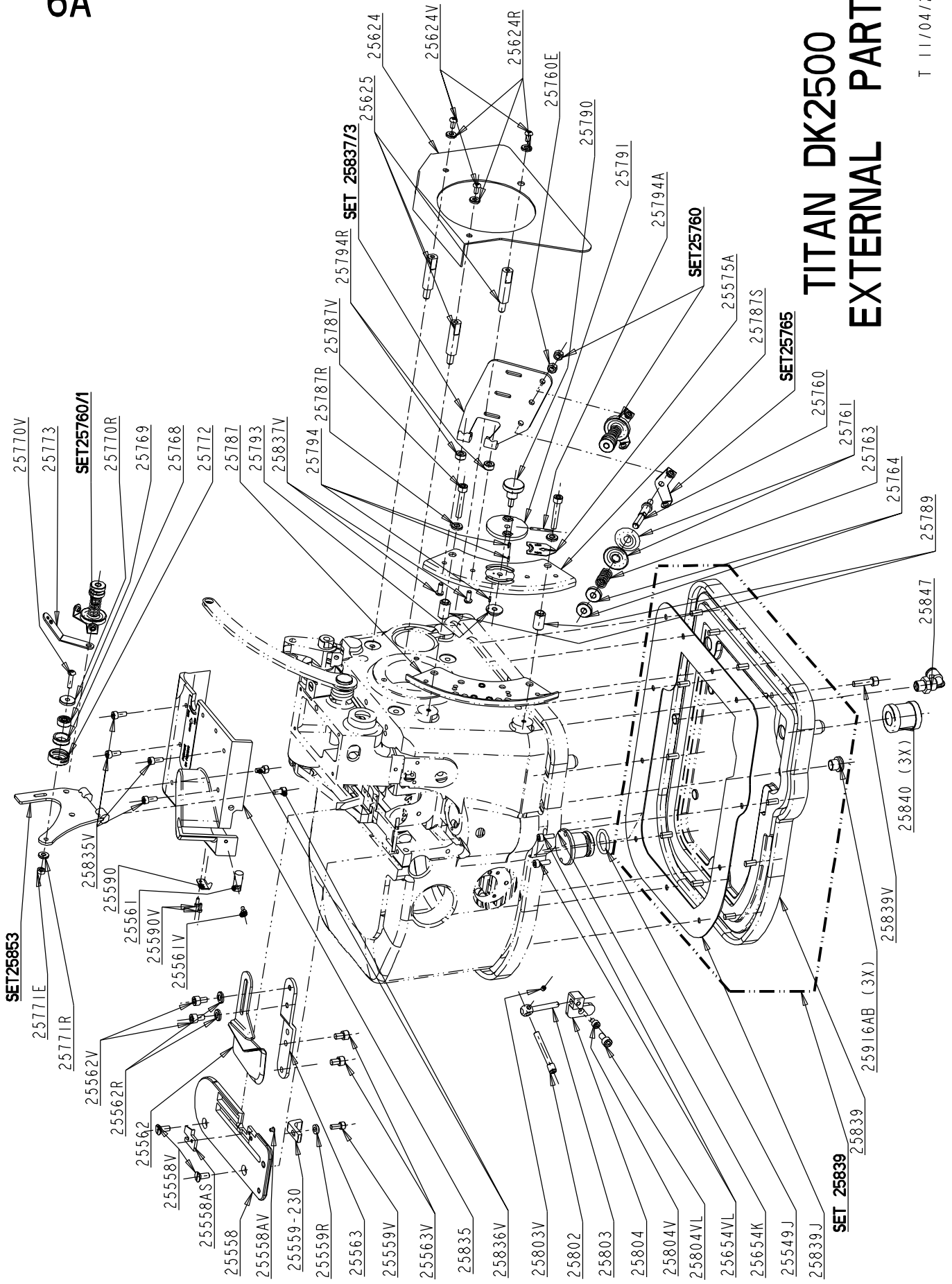
TITAN DK2500 CRANKSHAFT



TITAN DK 2500
CRANKSHAFT

5

CODE Nr	DESCRIPTION
SET 25511	CONNECTING ROD COMPLETE
SET 25509	CONNECTING ROD
25511V	SCREW
25604	BEARING
SET 25506	ROD WITH FORK
25511VL	SCREW
25512	BALL JOINT GUIDE FORK
45116	NUT
SET 25620+R	FLANGE COMPLETE
25601	BEARING
25620/OR	O RING
25620B	SEAL-RING
25620	BEARING BUSHING
25601A	BEARING
25617	RING
SET 25641	LOWER KNIFE DRIVING LINK COMPL
25640	BEARING
25641	* LOWER KNIFE DRIVING LINK
25641V	SCREW
SET 25511A	COMPLETE ROD
25511B	STUD
25511A/SA	ROD
25608	PIN
25601	BEARING
25602	CRANK
25602V	SCREW
25603	PIN
25605	CRANK
25605VL	SCREW
25607	CRANK
25607V	SCREW
25608	PIN
25610	CRANK
25610V	SCREW
25612	CRANK
25612V	SCREW
25612VL	SCREW
25615	CRANK
25615V	SCREW
25620V	SCREW
25621	FLYWHEEL
25621V	SCREW
25720	ECCENTRIC
25720P	PROTECTION
25720R	WASHER
25720V	SCREW
25721	FEED ACROSS REGULATOR
25721V	SCREW
25722	WASHER
25722E	NUT
25724	BEARING BUSHING
25844A	PLUG



TITAN DK2500 EXTERNAL PARTS

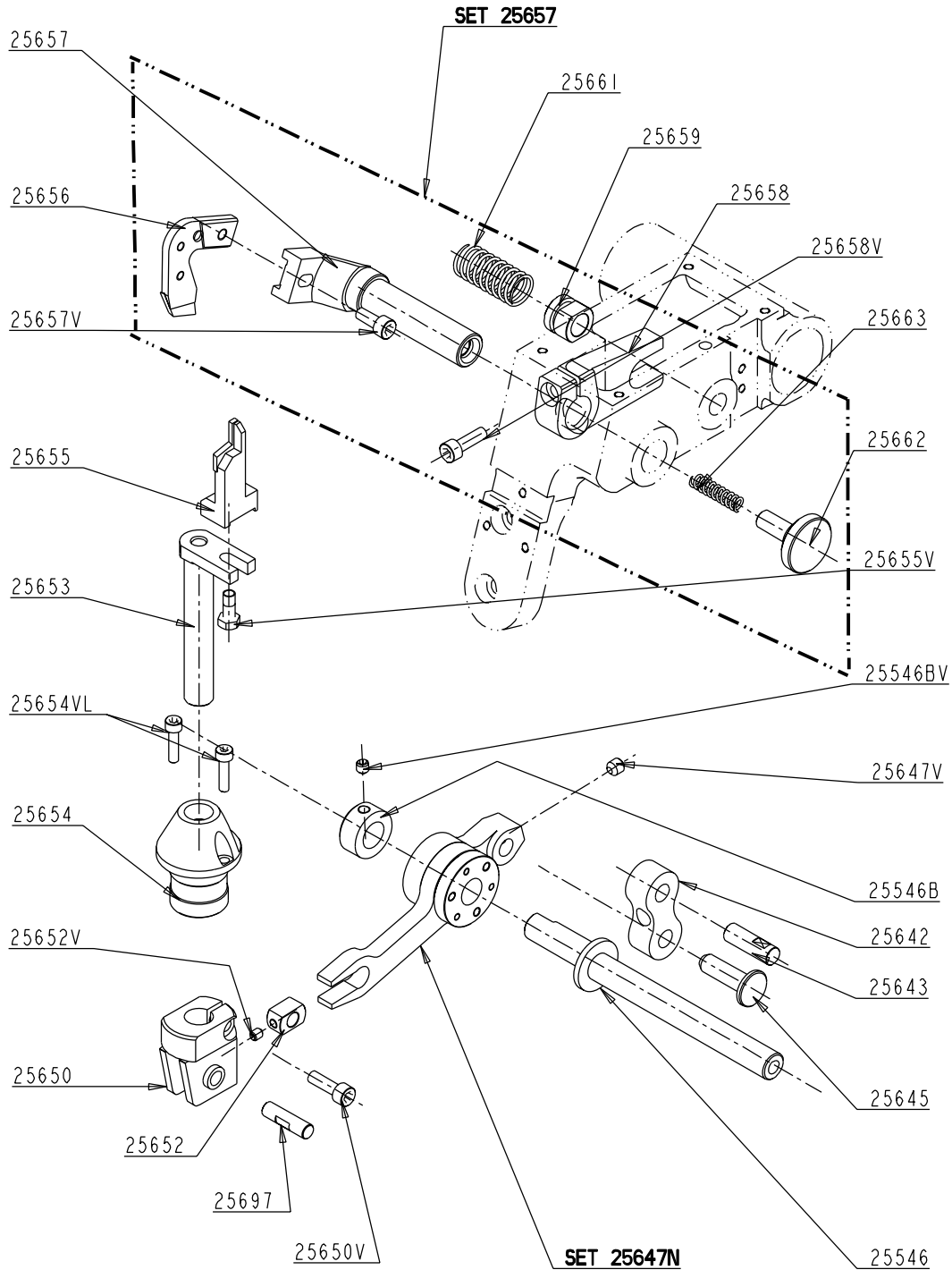
TITAN DK 2500
EXTERNAL PARTS

Code Nr	Description
SET 25853	TENSION POST HOLDER COMPLETE
SET 25760	TENSION COMPLETE
25760	TENSION POST
25761	TENSION DISC
25763	TENSION SPRING 0,6 MM
25764	NUT
SET 25765	THREAD GUIDE
SET 25837/3	TENSION HOLDER ASSEMBLY
SET 25760/1	TENSION COMPLETE
25760	TENSION POST
25761	TENSION DISC
25762	TENSION SPRING 1,2 MM
25764	NUT
SET 25765	THREAD GUIDE
SET 25765	THREAD GUIDE PLATE COMPLETE
SET 25839	COVER COMPLETE
25839	COVER
25916AB	BLINDPLUG
25839J	MACHINE GASKET
25549J	O-RING
25558	NEEDLE PLATE
25558AS	FINGER
25558AV	SCREW
25558V	SCREW
25559-230	NEEDLE GUIDE
25559R	WASHER
25559V	SCREW
25561	TENSION RELEASER
25561V	SCREW
25562	CARPET GUIDE
25562R	WASHER
25562V	SCREW
25563	BASE
25563V	SCREW
25575A	LABEL
25590	KNIFE
25590V	SCREW
25624	BELT GUARD
25624R	WASHER
25624V	SCREW
25625	LINKING PART
25654K	PLUG
25654VL	SCREW
25760	TENSION POST
25760E	NUT
25768	ROLLER
25769	BEARING
25770R	WASHER
25770V	SCREW

Code Nr	Description
25771E	NUT
25771R	WASHER
25772	ROLLER HOLDER
25773	THREAD GUIDE
25787	THREAD GUIDE HOLDER
25787R	WASHER
25787S	THREAD GUIDE HOLDER
25787V	SCREW
25789	BUSHING
25790	BLOCK SCREW
25791	THREAD GUIDE
25793	NUT
25794	PIN
25794A	PIN
25794R	WASHER
25802	THREAD GUIDE
25803	THREAD GUIDE SUPP. SHAFT
25803V	SCREW
25804	THREAD GUIDE HOLDER
25804V	SCREW
25804VL	SCREW
25835	COVER
25835V	SCREW
25836V	SCREW
25837V	SCREW
25839V	SCREW
25840	SILENT BLOC
25847	ELBOW

7A

TITAN DK2500 OPTION DCD CUTTING MECHANISM



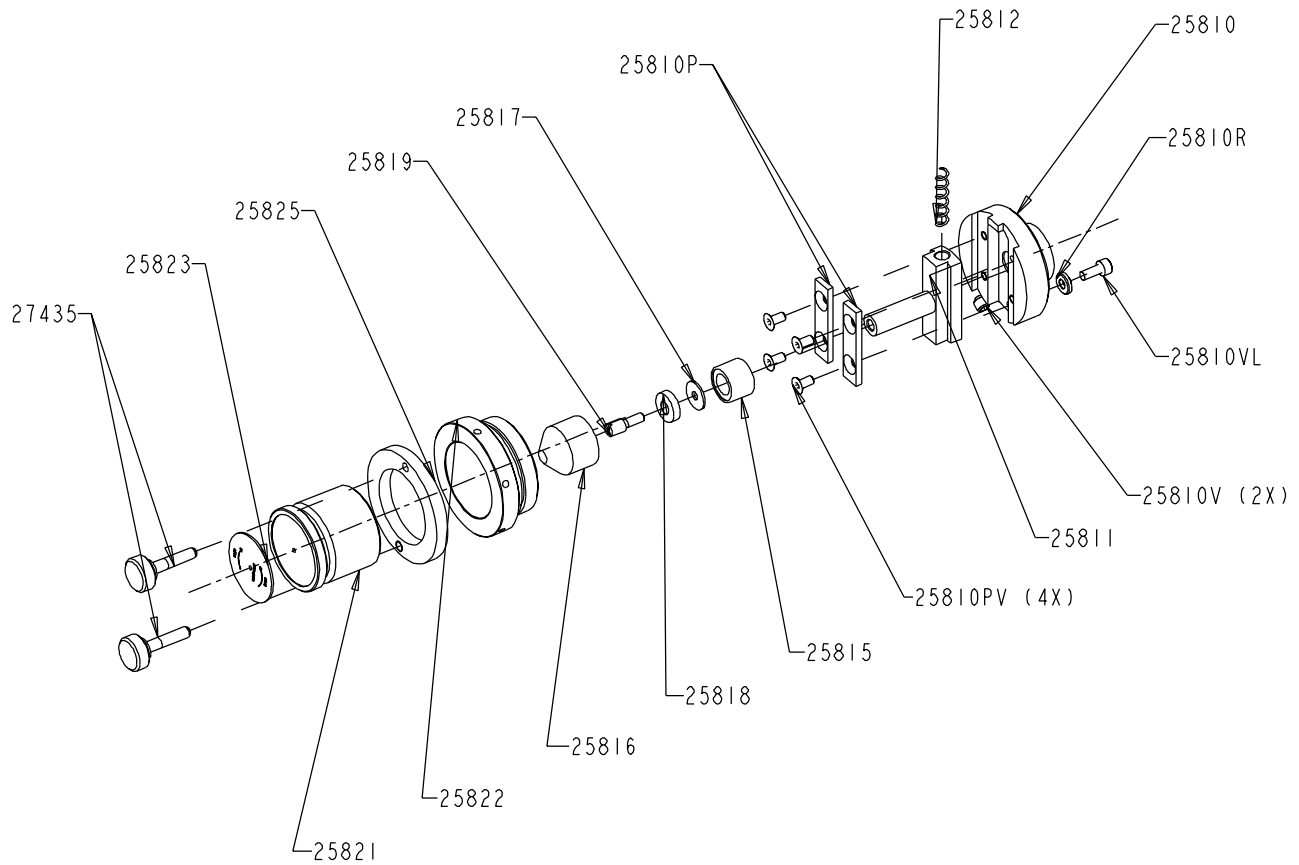
TITAN DK 2500
DCD CUTTING MECHANISM

7

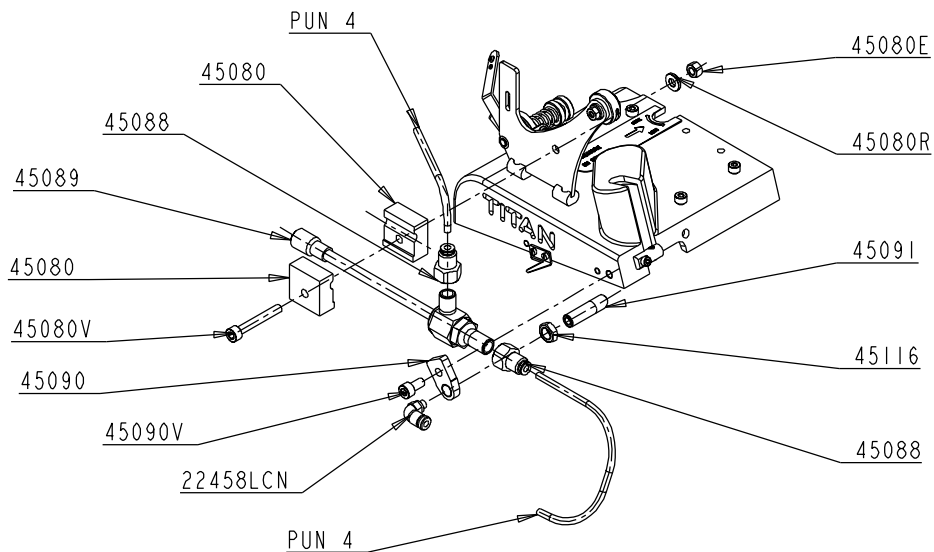
Code Nr	Description
SET 25657	UPPER KNIFE COMPLETE
25656	UPPER KNIFE
25657	UPPER KNIFE HOLDER
25657V	SCREW
25658	POSITION LEVER
25658V	SCREW
25659	SLIDE BLOCK
25661	FEED SPRING
25662	SCREW
25663	SPRING
SET 25647N	LOWER KNIFE LEVER COMPLETE
25546	ECCENTRIC SHAFT
25546B	COLLAR
25546BV	SCREW
25642	DRIVING LINK
25643	LOWER SHAFT
25645	STUD
25647V	SCREW
25650	SLIDE BLOCK GUIDE
25650V	SCREW
25652	SLIDE BLOCK
25652V	SCREW
25653	LOWER KNIFE SHAFT
25654	LOWER KNIFE BUSHING
25654VL	SCREW
25655	LOWER KNIFE
25655V	SCREW
25697	LINK PIN

8A

TITAN DK2500 OPTION RPE EXTERNAL STITCH DENSITY ADJUSTER



TITAN DK2500 OPTION NCV NEEDLE COOLER



TITAN DK 2500
RPE-EXTERNAL STITCH DENSITY ADJUSTER
NCV- NEEDLE COOLER

8

RPE

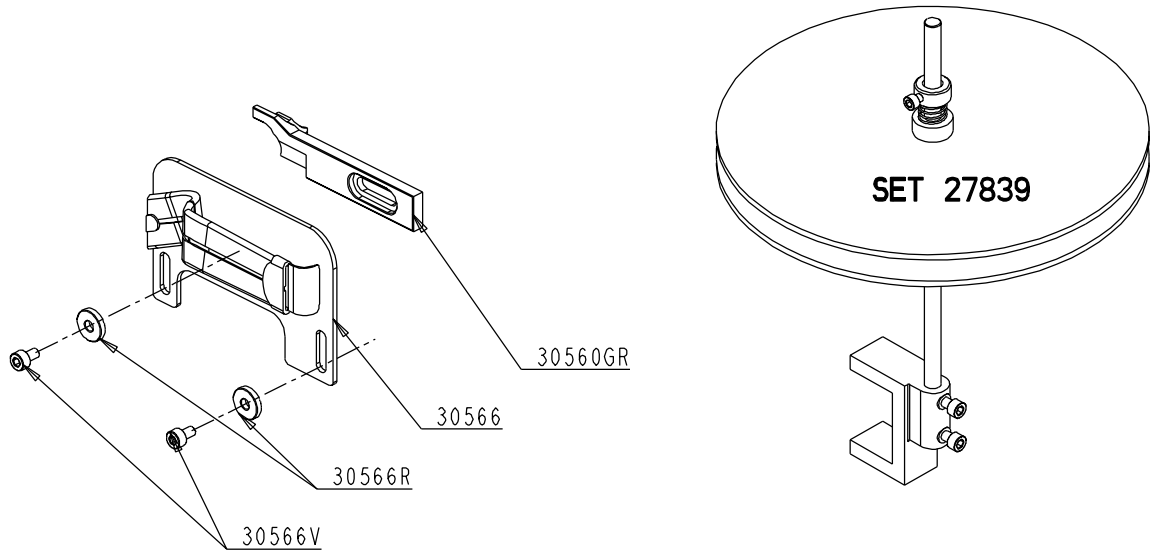
Code Nr	Description
25810	SCREW
25810P	PLATE
25810PV	SCREW
25810R	WASHER
25810V	SCREW
25810VL	SCREW
25811	STITCH LENGTH GUIDE
25812	SPRING
25815	BEARING
25816	ROLLER
25817	WASHER
25818	BLOCK
25819	SCREW
25821	SCREW
25822	NUT
25823	STICKER STITCH ADJUSTER
25825	NUT
27435	SCREW

NCV

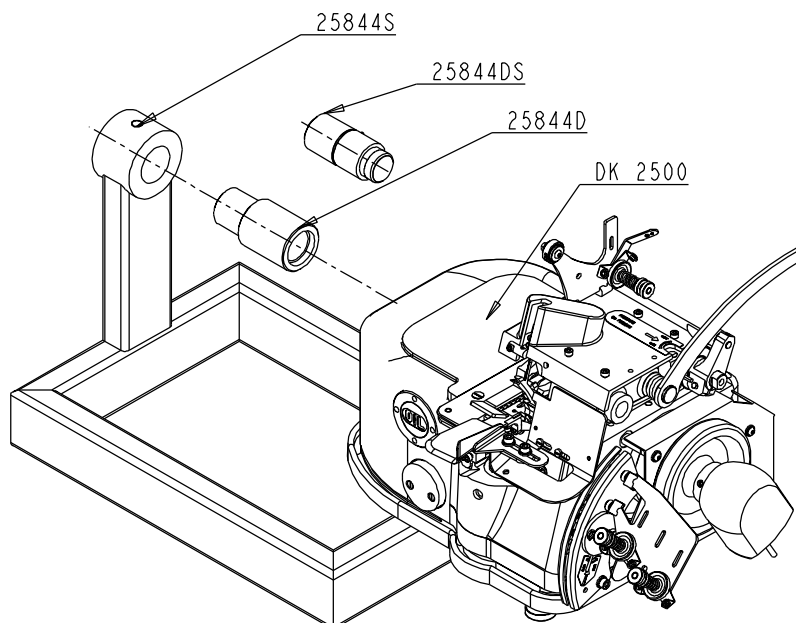
Code Nr	Description
22458LCN	COUPLING
45080	GRIP NEEDLE COOLER
45080E	NUT
45080R	WASHER
45080V	SCREW
45088	COUPLING
45089	NEEDLE COOLER
45090	PLATE
45090V	SCREW
45091	BLOWER
45116	NUT
PUN 4	TUBE

9A

TITAN DK2500 OPTION SET 30566 TAPE GUIDE



TITAN DK2500 OPTION 25844D+S MACHINEHOLDER



TITAN DK 2500
SET 30566 TAPE BINDER
MACHINEHOLDER

9

TAPE GUIDE

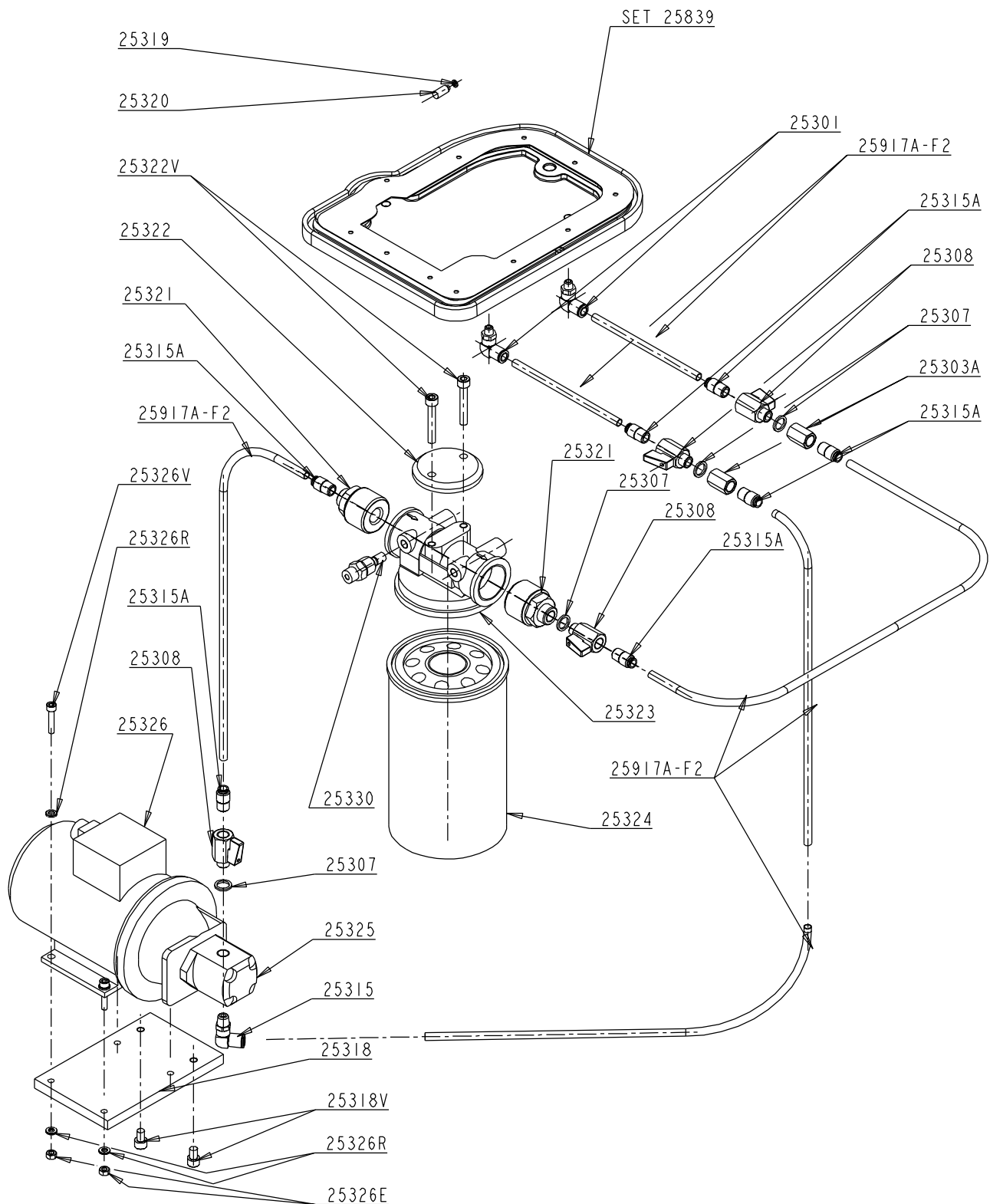
Code Nr	Description
SET 30566	TAPE GUIDE COMPLETE
30560GR	CHaine GUIDE
30566	TAPE GUIDE
30566R	WASHER
30566V	SCREW
SET 27839	TAPE HOLDER

MACHINE HOLDER

Code Nr	Description
DK2500	SEWING HEAD
25844S	MECHANIC WORKSTAND
25844D	MACHINE HOLDER BUSHING DIA 45 MM
25844DS	MACHINE HOLDER BUSHING DIA 28 MM

10A

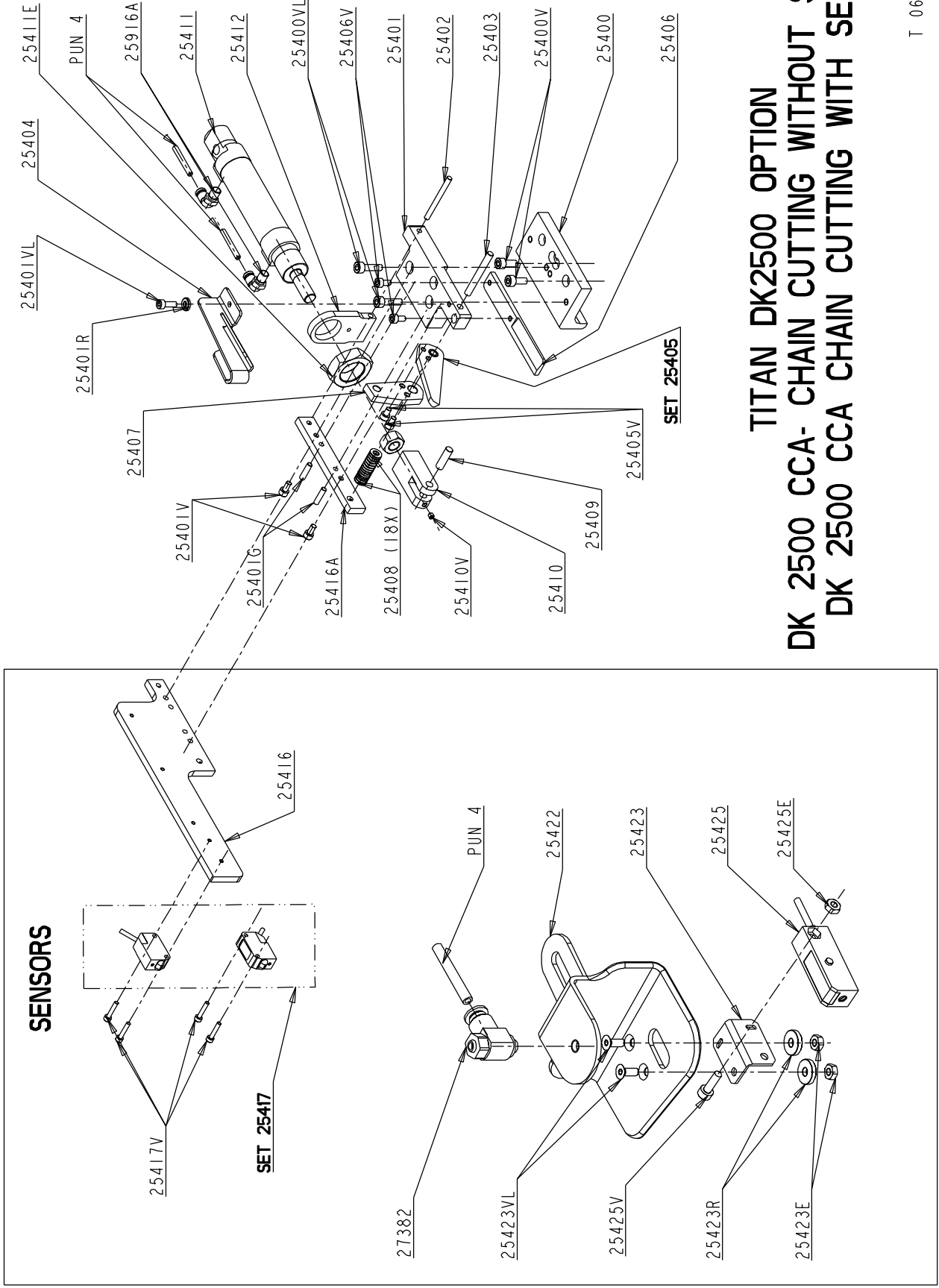
TITAN DK2500 OPTION FH OIL FILTERING SYSTEM



TITAN DK 2500
OIL FILTER OPTION

10

Code Nr	Description
25301	CONNECTION
25303A	COUPLING
25307	JOINT
25308	VALVE
25315	CONNECTION
25315A	CONNECTION
25318	SUPPORT
25318V	SCREW
25319	JOINT
25320	SILENCER
25321	REDUCTION
25322	RING
25322V	SCREW
25323	FILTER BASE
25324	FILTER
25325	PUMP
25326	ELECTRICAL MOTOR
25326E	NUT
25326R	WASHER
25326V	SCREW
25330	FILTER CONTROLLER
25917A-F2	TRANSPARENCE PIPE
SET 25839	COVER COMPLETE



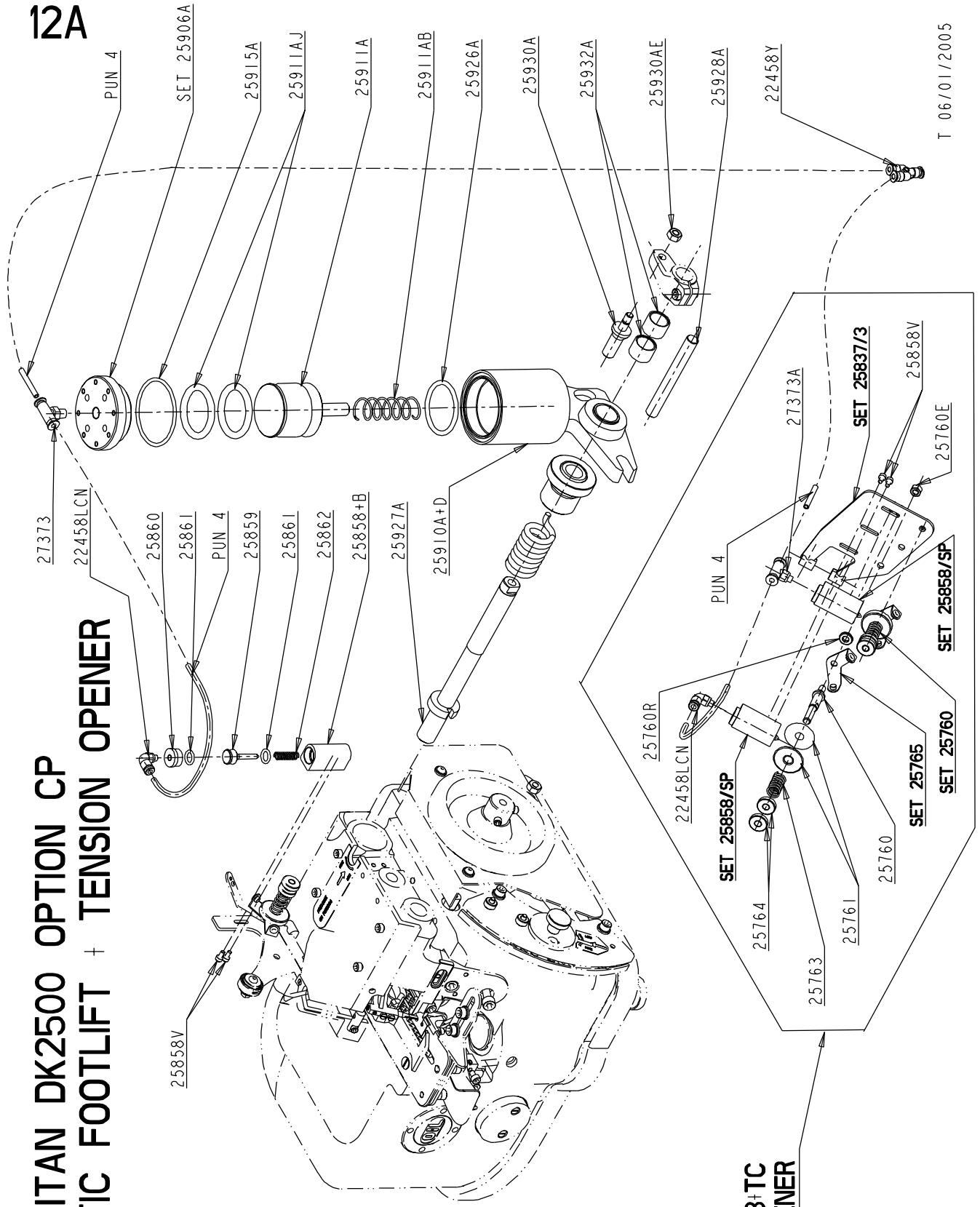
TITAN DK2500 OPTION
DK 2500 CCA- CHAIN CUTTING WITHOUT SENSORS
DK 2500 CCA CHAIN CUTTING WITH SENSORS

TITAN DK2500
CCA CHAIN CUTTING

Code Nr	Description
<u>CCA- CHAIN CUTTING</u>	
25400	CHAINCUTTER BASE
25400V	SCREW
25400VL	SCREW
25401	SUPPORT CHAIN-CUTER
25401G	PIN
25401R	WASHER
25401V	SCREW
25401VL	SCREW
25402	SHAFT
25403	SHAFT
25404	PROTECTION PLATE
25405V	SCREW
25406	LOWER KNIFE
25406V	SCREW
25407	UPPER KNIFE HOLDER
25408	WASHER
25409	SHAFT
25410	CONNECTING LINK
25410R	WASHER
25410V	SCREW
25411	PNEUMATIC CYLINDER
25411E	NUT
25412	CYLINDER SUPPORT
25416A	CLOSING PLATE
25916A	ELBOW
PUN 4	TUBE
SET 25405	UPPER KNIFE
 <u>SENSORS</u>	
SET 25417	SENSOR
25416	CLOSING PLATE
25417V	SCREW
25422	SENSOR BASE
25423	SUPPORT SENSOR
25423E	NUT
25423R	WASHER
25423VL	SCREW
25425	PHOTOELECTR. MODULUS
25425E	NUT
25425V	SCREW
27382	VALVE FOR AIR FLOW LIMITATION
PUN 4	TUBE

TITAN DK2500 OPTION CP PNEUMATIC FOOTLIFT + TENSION OPENER

12A



**SET 25837/3+TC
TENSION OPENER**

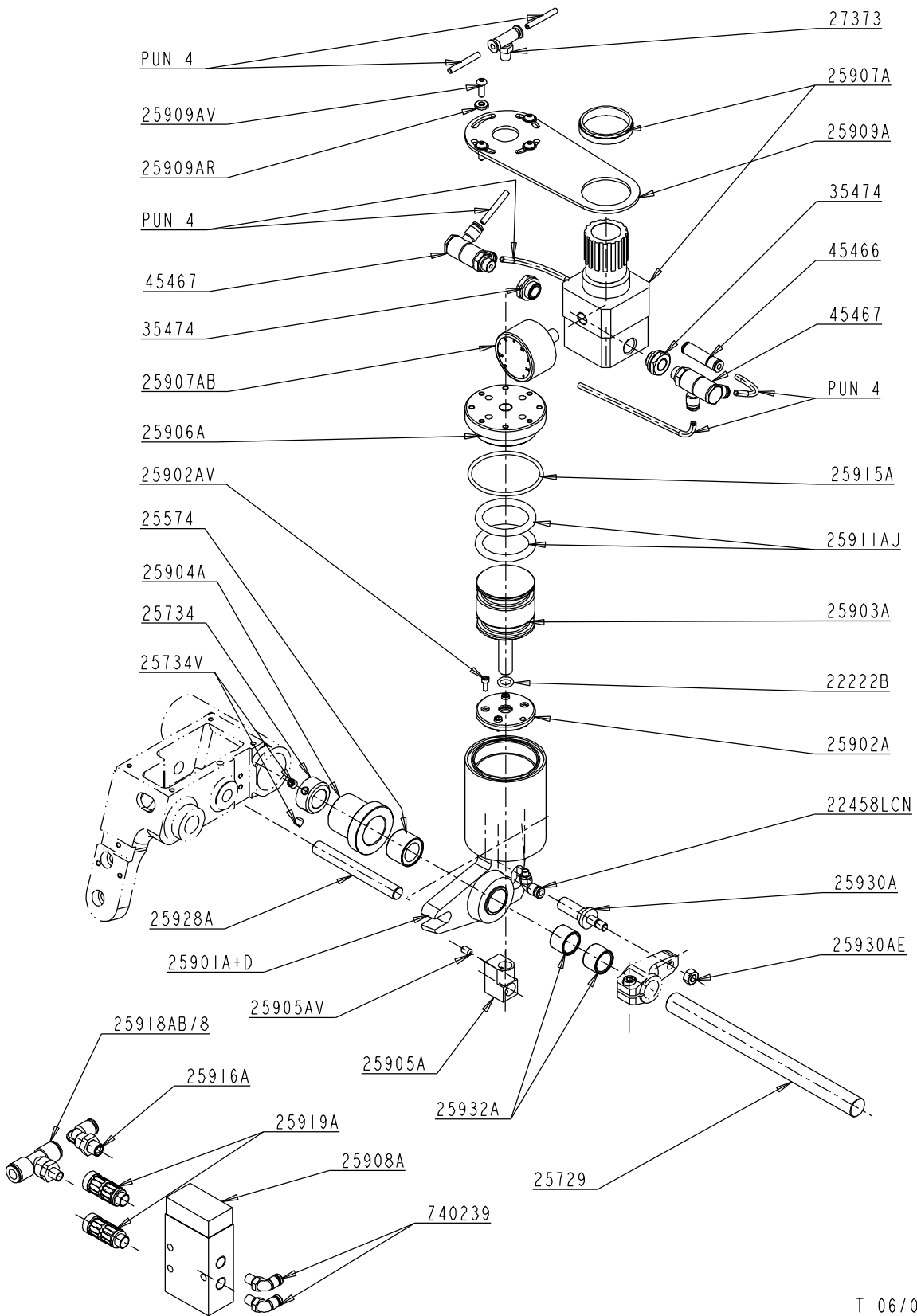
TITAN DK2500
CP PNEUM.LIFT+TENS. OPENER

12

Code Nr	Description
<u>PNEUMATIC FOOTLIFT</u>	
22458LCN	PNEUMATIC LINK
22458Y	Y PIPE-CONNECTION
25858+B	HOUSING AND RING
25858V	SCREW
25859	PISTON
25860	BUSHING
25861	O-RING
25862	SPRING
SET 25906A	COVER FOR CYLINDER + SCREW
25910A+D	CYLINDER AND BUSHING
25911A	PISTON
25911AB	SPRING
25911AJ	O-RING
25915A	GASKET
25926A	SHOCK-BREAKER
25927A	SHAFT
25928A	ROLLER SHAFT
25930A	PIN
25930AE	NUT
25932A	NEEDLE CAGE
27373	CONNECTION
PUN 4	TUBE
<u>TENSION OPENER = SET 25837/3+TC</u>	
SET 25760	TENSION LOWER LOOPER COMPLETE
SET 25765	THREAD GUIDE PLATE COMPLETE
SET 25837/3	TENSION HOLDER ASSEMBLY
SET 25858/SP	TENSION OPENER (W/O POTENCE)
22458LCN	PNEUMATIC LINK
25760	TENSION POST
25760E	NUT
25760R	WASHER
25761	TENSION DISC
25763	TENSION SPRING (0,6 mm)
25764	TENSION REGULATING NUT
25858V	SCREW
27373A	COUPLING
PUN 4	TUBE

13A

TITAN DK 2500 OPTION CP-DAC PNEUMATIC FOOTLIFT



TITAN DK2500
CP-DAC PNEUM. FOOTLIFT

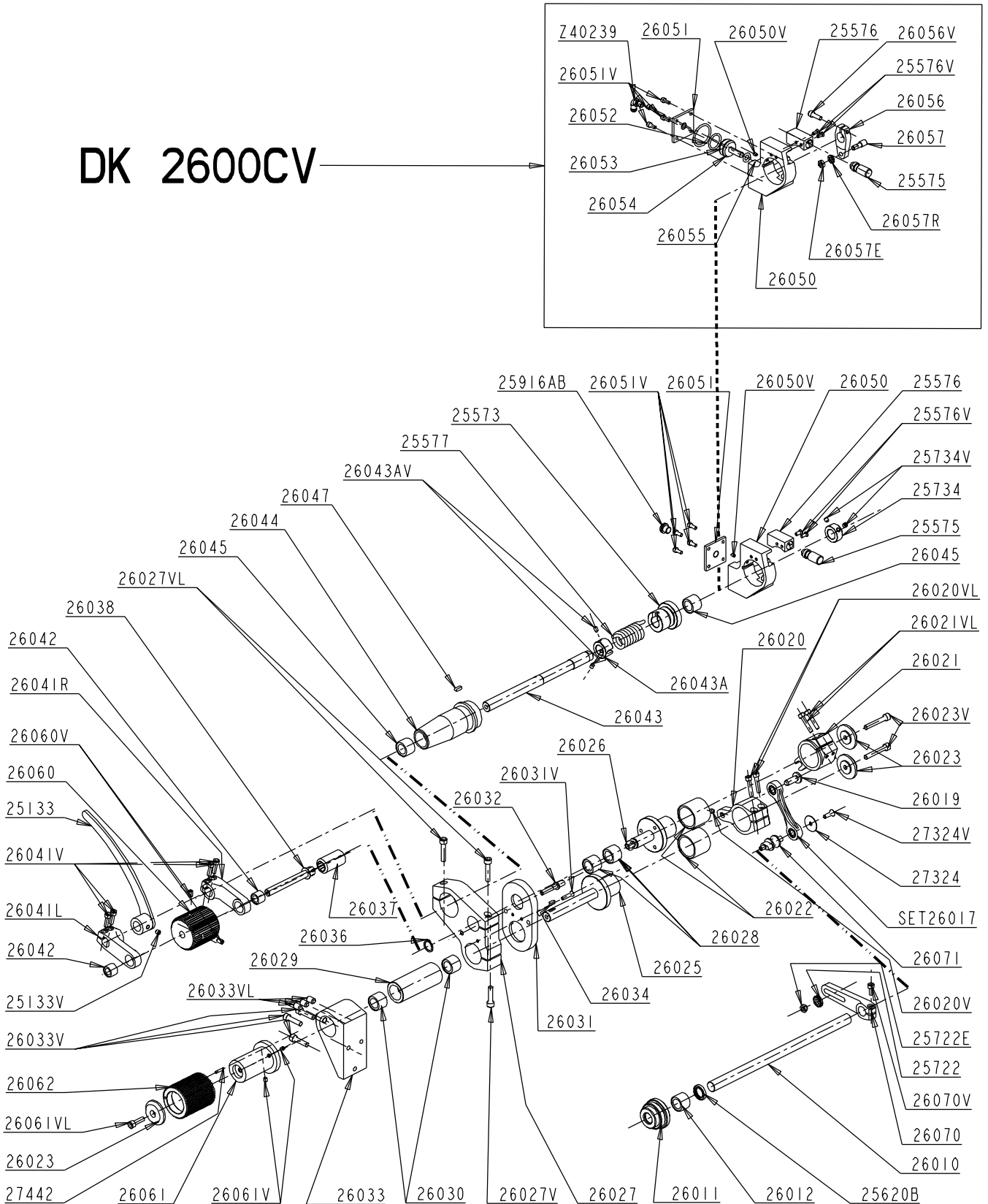
13

Code Nr	Description
PUN 4	TUBE
22222B	O-RING
22458LCN	PNEUMATIC LINK
25574	BEARING
25729	SHAFT
25734	THRUST COLLAR
25734V	SCREW
25901A+D	CYLINDER + BUSHING FOR DAC
25902A	BOTTEM PLATE FOR DAC
25902AV	SCREW
25903A	PISTON
25904A	BUSHING
25905A	BLOCK
25905AV	SCREW
25906A	COVER FOR CYLINDER
25907A	PRESSURE REDUCTION
25907AB	MANOMETER
25908A	PNEUMATIC VALVE
25909A	SUPPORT MANO-RELEASER
25909AR	WASHER
25909AV	SCREW
25911AJ	O-RING
25915A	GASKET
25916A	ELBOW
25918AB/8	T-CONNECTION
25919A	SILENCER
25928A	ROLLER SHAFT
25930A	PIN
25930AE	NUT
25932A	NEEDLE CAGE
27373	CONNECTION
35474	LINK
45466	VALVE
45467	MULT. DISTRIBUTOR
Z40239	CONNECTION

14A

TITAN DK 2600 PULLER DK 2600CV PNEUMATIC PULLER

DK 2600CV

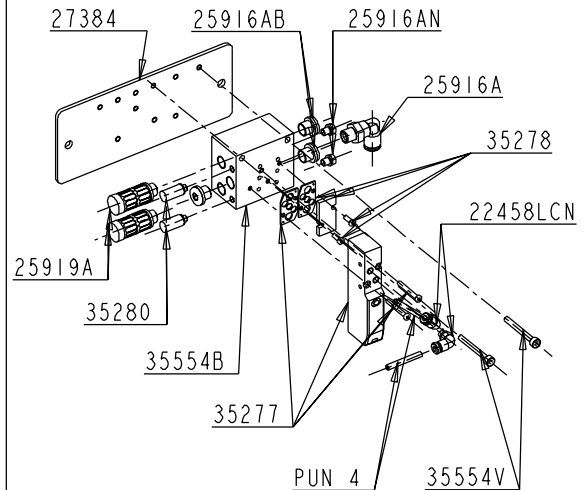
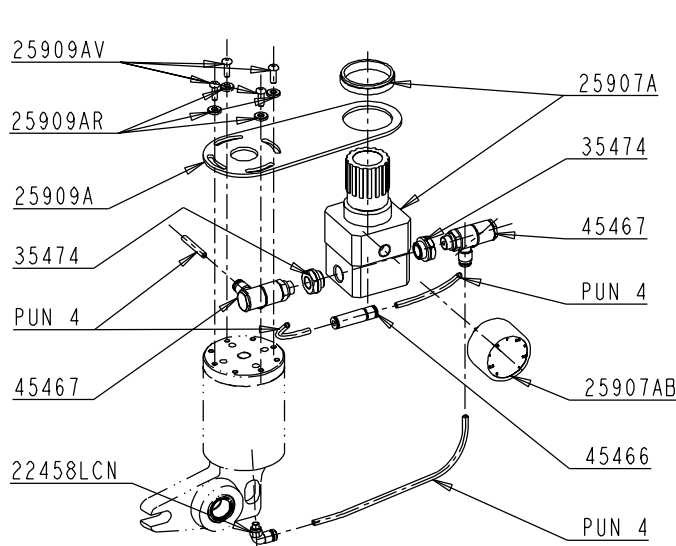
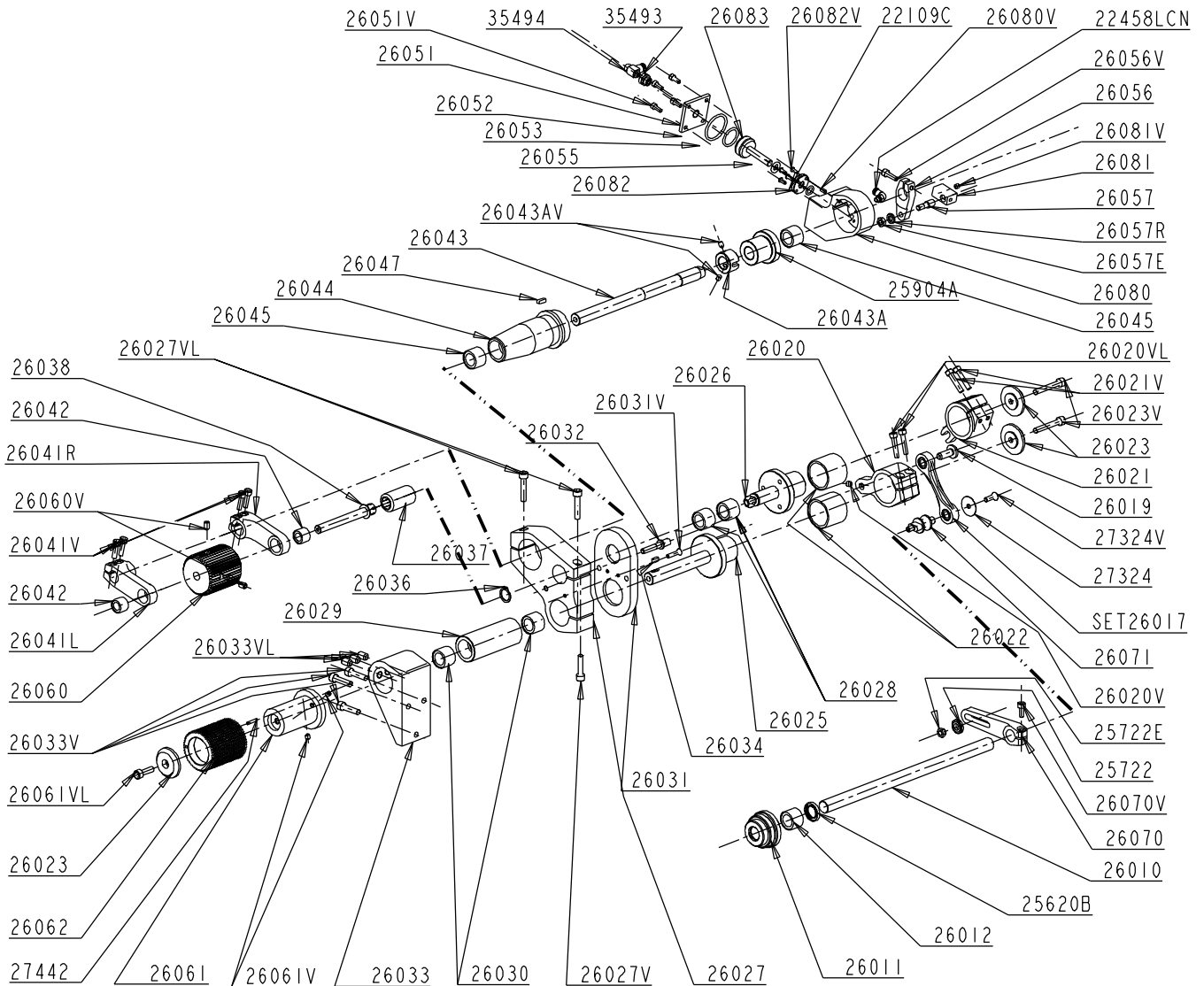


TITAN DK2500
DK2600 PULLER + CV

Code Nr	Description	Code Nr	Description
<u>PULLER DK2600</u>			
25133	PRESSER FOOT LEVER	26061V	SCREW
25133V	SCREW	26061VL	SCREW
25573	BUSHING	26062	LOWER FEED DOG (new model)
25575	REGULATING SCREW	26070	LEVER
25576	REGULATING SCREW HOLDER	26070V	SCREW
25576V	SCREW	26071	STUD
25577	FOOT LIFTER SPRING	27324	WASHER
25620B	SEAL-RING	27324V	SCREW
25722	WASHER	27442	SHAFT
25722E	NUT	SET 26017	LEVER WITH BEARINGS
25734	THRUST COLLAR	<u>PNEUM PULLER DK2600cv</u>	
25734V	SCREW	25575	REGULATING SCREW
25916AB	BLIND PLUG	25576	REGULATING SCREW HOLDER
26010	BIG SHAFT	25576V	SCREW
26011	BUSHING	26050	FRAME FOR PISTON
26012	BEARING	26050V	SCREW
26019	PIN	26051	COVER
26020	LEVER	26051V	SCREW
26020V	SCREW	26052	O-RING
26021	LEVER	26053	O-RING
26021V	SCREW	26054	PISTON
26021VL	SCREW	26055	O-RING
26022	WHEEL	26056	LEVER
26023	WASHER	26056V	SCREW
26023V	SCREW	26057	PIN
26025	LOWER SHAFT	26057E	NUT
26026	UPPER SHAFT	26057R	WASHER
26027	FRAME	Z40239	CONNECTION
26027V	SCREW		
26027VL	SCREW		
26028	BEARING		
26029	BUSHING		
26030	BEARING		
26031	GEAR COVER		
26031V	SCREW		
26032	PIN		
26033	FIXATION SUPPORT		
26033VL	SCREW		
26034	BLOCK		
26036	SNAP RING		
26037	BUSHING		
26038	CARDAN		
26041L	LEVER LEST		
26041R	WASHER		
26041V	SCREW		
26042	BEARING		
26043	SHAFT FOR LEVERS		
26043A	BLOCK COLLAR		
26043AV	SCREW		
26044	BUSHING		
26045	BEARING		
26047	BLOCK		
26050	FRAME FOR PISTON - LEFT		
26050V	SCREW		
26051	COVER		
26051V	SCREW		
26060	FEED WHEEL		
26060V	SCREW		
26061	BASE LOWER FEED DOG		

15A

TITAN DK 2600 DAC PULLER DOUBLE ACTION CYLINDER



TITAN DK2500

15

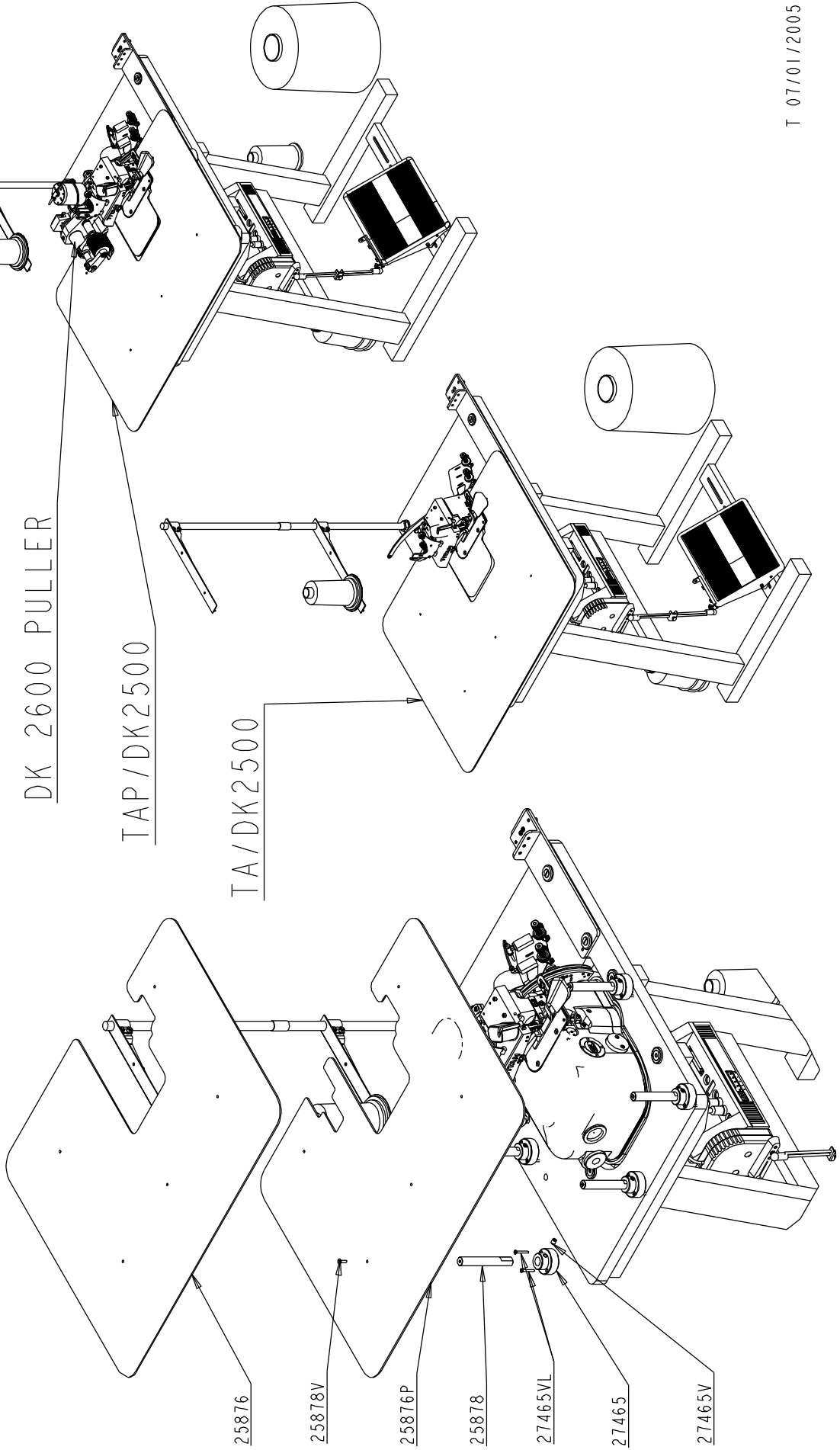
PULLER DAC

Code Nr	Description
22109C	O-RING
22458LCN	PNEUMATIC LINK
25620B	SEAL RING
25722	WASHER
25722E	NUT
25904A	BUSHING
25907A	PRESSURE REDUCTION
25907AB	MANOMETER
25909A	SUPPORT MANO-RELEASER
25909AR	WASHER
25909AV	SCREW
25916A	ELBOW
25916AB	BLINDPLUG
25916AN	BLINDPLUG
25919A	SILENCER
26010	BIG SHAFT
26011	BUSHING
26012	BEARING
26019	PIN
26020	LEVER
26020V	SCREW
26020VL	SCREW
26021	LEVER
26021V	SCREW
26022	WHEEL
26023	WASHER
26023V	SCREW
26025	LOWER SHAFT
26026	UPPER SHAFT
26027	FRAME
26027V	SCREW
26027VL	SCREW
26028	BEARING
26029	BUSHING
26030	BEARING
26031	GEAR COVER
26031V	SCREW
26032	PIN
26033	FIXATION SUPPORT
26033V	SCREW
26033VL	SCREW
26034	BLOCK
26036	SNAP RING
26037	BUSHING
26038	CARDAN
26041L	LEVER LEFT
26041R	LEVER
26041V	SCREW
26042	BEARING
26043	SHAFT FOR LEVERS
26043A	BLOCK COLLAR
26043AV	SCREW
26044	BUSHING
26045	BEARING
26047	BLOCK
26051	COVER
26051V	SCREW
26052	O-RING
26053	O-RING
26055	O-RING
26056	LEVER
26056V	SCREW

Code Nr	Description
26057	PIN
26057E	NUT
26057R	WASHER
26060	FEED WHEEL
26060V	SCREW
26061	BASE LOWER FEED DOG
26061V	SCREW
26061VL	SCREW
26062	LOWER FEED DOG (new mod)
26070	LEVER
26070V	SCREW
26071	STUD
26080	PISTON FRAME
26080V	SCREW
26081	BLOCK LIFTER
26081V	SCREW
26082	CLOSING PLATE
26082V	SCREW
26083	PISTON
27324	WASHER
27324V	SCREW
27384	MOUNTING PLATE
27442	SHAFT
35277	SOLENOID 2 WAYS
35278	PLATE D'OBT.
35280	SILENCER
35474	LINK
35493	REDUCTION
35494	PNEUMATIC VALVE
35554B	BLOCK
35554V	SCREW
45466	VALVE
45467	MULT. DISTRIBUTOR
PUN 4	TUBE
SET 26017	LEVER WITH BEARINGS

TITAN TA-TAP/DK2500 TEFLON PLATE

16A



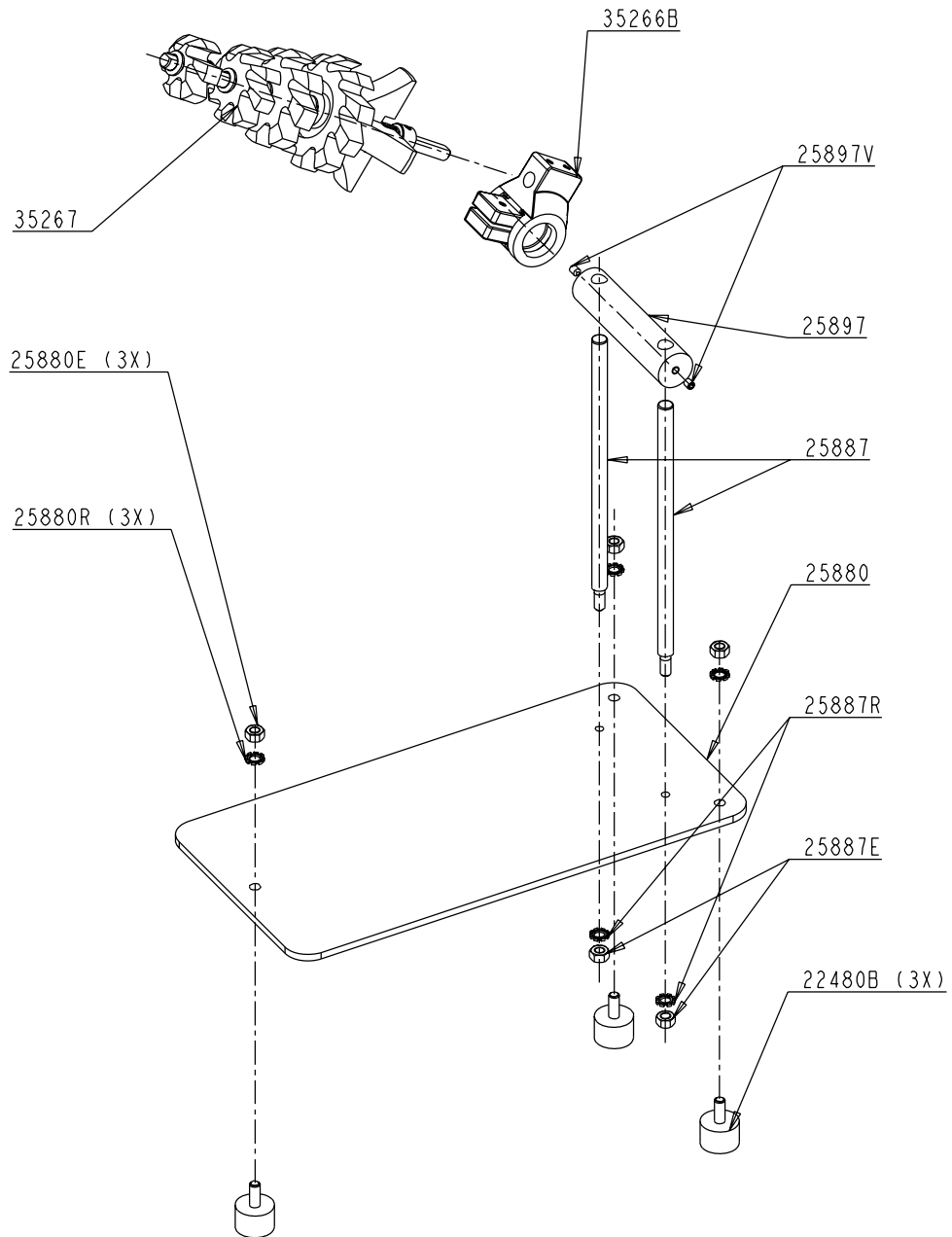
TITAN DK2500
TA-TAP TEFLON PLATE

16

Code Nr	Description
25876	TEFLON TABLE
25878V	SCREW
25876P	TEFLON TABLE FOR PULLER
25878	ROD
27465VL	SCREW
27465	SUPPORT
27465V	SCREW

17A

TITAN DK 2500 OPTION PBN YARN STAND



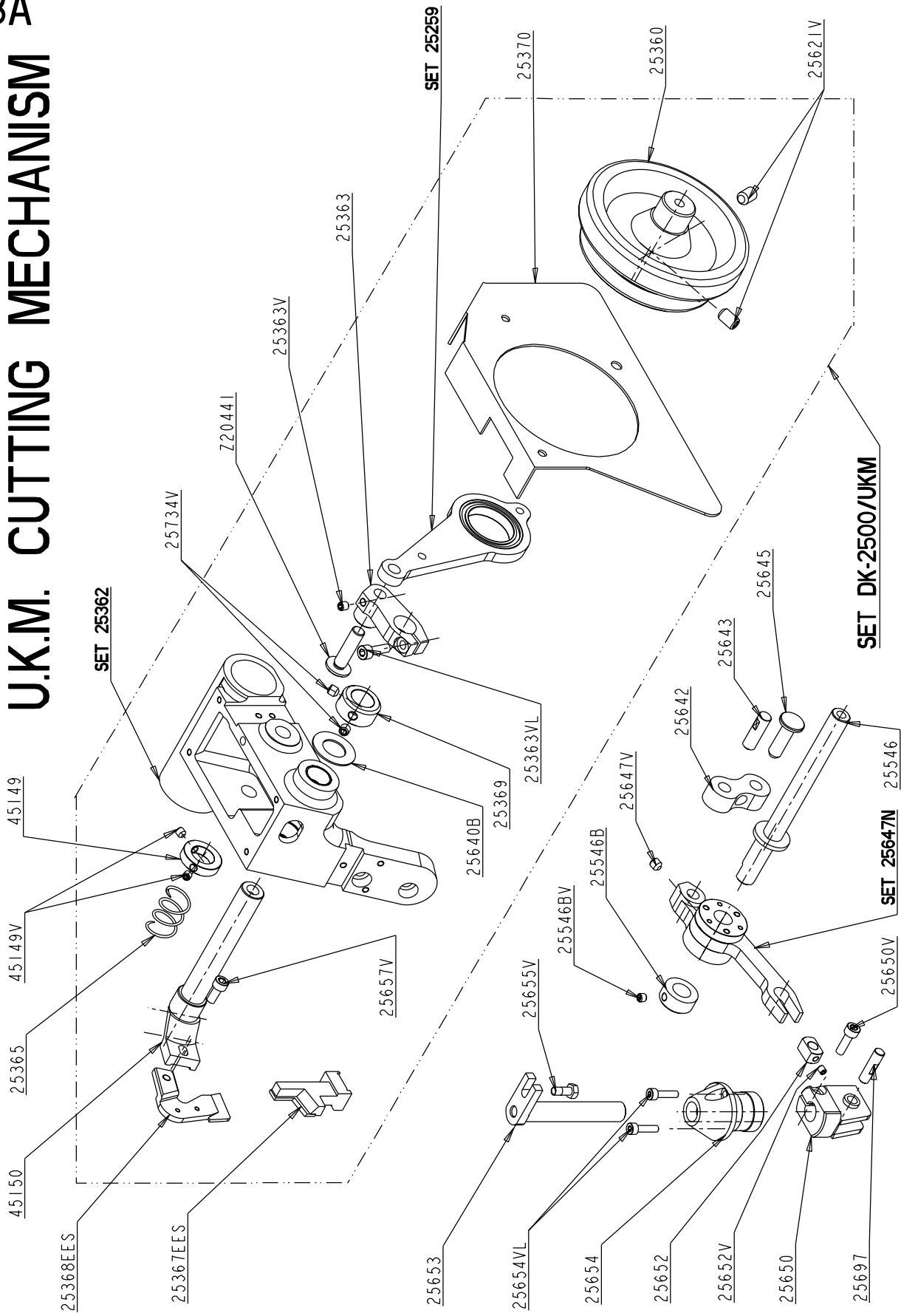
TITAN DK2500
PBN YARNSTAND

17

Code Nr	Description
22480B	RUBBER STOP
25880	BASE
25880E	NUT
25880R	WASHER
25887	SHAFT
25887E	NUT
25887R	WASHER
25897	BASE SHAFT
25897V	SCREW
35266B	SPOOL HOLDER BASE
35267	SPOOL HOLDER

TITAN DK2500 OPTION U.K.M. CUTTING MECHANISM

18A



TITAN DK2500
U.K.M. CUTTING MECH.

18

Code Nr	Description
25546	ECCENTRIC SHAFT
25546BV	SCREW
25642	LOWER KNIFE DRIVING LINK
25643	LOWER SHAFT
25645	STUD
25647V	SCREW
25650	SLIDE BLOCK GUIDE
25650V	SCREW
25652	SLIDE BLOCK
25652V	SCREW
25653	LOWER KNIFE SHAFT
25654	LOWER KNIFE BUSHING
25654VL	SCREW
25655V	SCREW
25697	LINK PIN
SET 25647N	LOWER KNIFE LEVER COMPLETE
SET DK-2500/UKM	TRANSFORMATION DCD ==>UKM
25360	PULLEY
25363	POSITIONING LEVER
25363V	SCREW
25363VL	SCREW
25365	FEED SPRING
25367EES	LOWER KNIFE
25368EES	UPPER KNIFE
25369	THRUST COLLAR
25370	BELT GUARD
25621V	SCREW
25640B	WASHER
25657V	SCREW
25734V	SCREW
45149	THRUST COLLAR
45149V	SCREW
45150	UPPER KNIFE HOLDER
SET 25259	LEVER + BEARING
SET 25362	FRAME PRESSURE FOOT
Z20441	STUD

TITAN DK 2500

INDEX

Code Nr	Description	Page
22109C	O-RING	15
22222B	O-RING	13
22458LCN	COUPLING	8
22458LCN	PNEUMATIC LINK	12
22458LCN	PNEUMATIC LINK	12
22458LCN	PNEUMATIC LINK	13
22458LCN	PNEUMATIC LINK	15
22458Y	Y PIPE-CONNECTION	12
22480B	RUBBER STOP	17
25133	PRESSER FOOT LEVER	14
25133V	SCREW	14
25301	CONNECTION	10
25303A	COUPLING	10
25307	JOINT	10
25308	VALVE	10
25315	CONNECTION	10
25315A	CONNECTION	10
25318	SUPPORT	10
25318V	SCREW	10
25319	JOINT	10
25320	SILENCER	10
25321	REDUCTION	10
25322	RING	10
25322V	SCREW	10
25323	FILTER BASE	10
25324	FILTER	10
25325	PUMP	10
25326	ELECTRICAL MOTOR	10
25326E	NUT	10
25326R	WASHER	10
25326V	SCREW	10
25330	FILTER CONTROLLER	10
25360	PULLEY	18
25363	POSITIONING LEVER	18
25363V	SCREW	18
25363VL	SCREW	18
25365	FEED SPRING	18
25367EES	LOWER KNIFE	18
25368EES	UPPER KNIFE	18
25370	BELT GUARD	18
25400	CHAINCUTTER BASE	11
25400V	SCREW	11
25400VL	SCREW	11
25401	SUPPORT CHAIN-CUTER	11
25401G	PIN	11
25401R	WASHER	11

TITAN DK 2500

INDEX

Code Nr	Description	Page
25401V	SCREW	11
25401VL	SCREW	11
25402	SHAFT	11
25403	SHAFT	11
25404	PROTECTION PLATE	11
25405V	SCREW	11
25406	LOWER KNIFE	11
25406V	SCREW	11
25407	UPPER KNIFE HOLDER	11
25408	WASHER	11
25409	SHAFT	11
25410	CONNECTING LINK	11
25410R	WASHER	11
25410V	SCREW	11
25411	PNEUMATIC CYLINDER	11
25411E	NUT	11
25412	CYLINDER SUPPORT	11
25416	CLOSING PLATE	11
25416A	CLOSING PLATE	11
25417V	SCREW	11
25422	SENSOR BASE	11
25423	SUPPORT SENSOR	11
25423E	NUT	11
25423R	WASHER	11
25423VL	SCREW	11
25425	PHOTOELECTR. MODULUS	11
25425E	NUT	11
25425V	SCREW	11
25511A/SA	ROD	5
25511B	STUD	5
25511V	CONNECTING ROD	5
25511VL	SCREW	5
25512	BALL JOINT GUIDE FORK	5
25516	WASHER	4
25518	DRIVING LEVER	4
25518V	SCREW	4
25518VL	SCREW	4
25520V	SCREW	4
25521	NUT	4
25522	BALL JOINT GUIDE FORK	4
25523	LOWER LOOPER	4
25525VC	SCREW	4
25525VP	SCREW	4
25545V	SCREW	2
25545VC	SCREW	2
25546	ECCENTRIC SHAFT	7

TITAN DK 2500

INDEX

Code Nr	Description	Page
25546	ECCENTRIC SHAFT	18
25546B	COLLAR	7
25546BV	SCREW	7
25546BV	SCREW	18
25546K	ECCENTRIC SHAFT	2
25547	BUSHING	2
25548	BEARING	2
25549	BUSHING	2
25549B	SEAL	2
25549J	O-RING	6
25549V	SCREW	2
25551	CONNECTION LINK	2
25552	LINK SHAFT	2
25553	CONNECTION STUD	2
25553V	SCREW	2
25554	GUIDE ROLLER	2
25555A	NEEDLE BAR GUIDE A	2
25555AV	SCREW	2
25555B	NEEDLE BAR GUIDE B	2
25556	NEEDLE CLAMP	2
25556BV	SCREW	2
25556V	SCREW	2
25556VC	SCREW	2
25556VL	SCREW	2
25557B	SEAL	2
25557V	SCREW	2
25558	NEEDLE PLATE	6
25558AS	FINGER	6
25558AV	SCREW	6
25558BV	SCREW	2
25558V	SCREW	6
25559-230	NEEDLE GUIDE	6
25559R	WASHER	6
25559V	SCREW	6
25560	CHAIN GUIDE	1
25560V	SCREW	1
25561	TENSION RELEASER	6
25561V	SCREW	6
25562	CARPET GUIDE	6
25562R	WASHER	6
25562V	SCREW	6
25563	BASE	6
25563V	SCREW	6
25571	FRAME	1
25571V	SCREW	1
25572	LEVER SHAFT	1

TITAN DK 2500

INDEX

Code Nr	Description	Page
25573	BUSHING	1
25573	BUSHING	14
25574	BEARING	1
25574	BEARING	13
25575	REGULATING SCREW	1
25575	REGULATING SCREW	14
25575	REGULATING SCREW	14
25575A	LABEL	6
25576	REGULATING SCREW HOLDER	1
25576	REGULATING SCREW HOLDER	14
25576	REGULATING SCREW HOLDER	14
25576V	SCREW	1
25576V	SCREW	14
25576V	SCREW	14
25577	FOOT LIFTER SPRING	1
25577	FOOT LIFTER SPRING	14
25578	RISE LEVER	1
25578V	SCREW	1
25578VL	SCREW	1
25579	ROLLER	1
25580	ROLLER STUD	1
25581	PRESSER FOOT LEVER	1
25581C	RETURN SPRING	1
25582	LEVER	1
25582V	SCREW	1
25583	PRESSURE FOOT	1
25583V	SCREW	1
25584	SPRING	1
25585	HOLDER FOR PARALLELISM	1
25586	CONNECTING ROD	1
25586V	SCREW	1
25587	FOLIUM	1
25590	KNIFE	6
25590V	SCREW	6
25601	BEARING	5
25601	BEARING	5
25601A	BEARING	5
25602	CRANK	5
25602V	SCREW	5
25603	PIN	5
25604	BEARING	5
25605	CRANK	5
25605VL	SCREW	5
25607	CRANK	5
25607V	SCREW	5
25608	PIN	5

TITAN DK 2500

INDEX

Code Nr	Description	Page
25608	PIN	5
25610	CRANK	5
25610V	SCREW	5
25612	CRANK	5
25612V	SCREW	5
25612VL	SCREW	5
25615	CRANK	5
25615V	SCREW	5
25617	RING	5
25620	BEARING BUSHING	5
25620/OR	O RING	5
25620B	SEAL-RING	14
25620B	SEAL RING	15
25620B	SEAL-RING	3
25620B	SEAL-RING	5
25620V	SCREW	5
25621	FLYWHEEL	5
25621V	SCREW	5
25621V	SCREW	18
25624	BELT GUARD	6
25624R	WASHER	6
25624V	SCREW	6
25625	LINKING PART	6
25640	BEARING	5
25640B	WASHER	18
25641	* LOWER KNIFE DRIVING LINK	5
25641V	SCREW	5
25642	DRIVING LINK	7
25642	LOWER KNIFE DRIVING LINK	18
25643	LOWER SHAFT	7
25643	LOWER SHAFT	18
25645	STUD	7
25645	STUD	18
25647V	SCREW	7
25647V	SCREW	18
25650	SLIDE BLOCK GUIDE	7
25650	SLIDE BLOCK GUIDE	18
25650V	SCREW	7
25650V	SCREW	18
25652	SLIDE BLOCK	7
25652	SLIDE BLOCK	18
25652V	SCREW	7
25652V	SCREW	18
25653	LOWER KNIFE SHAFT	7
25653	LOWER KNIFE SHAFT	18
25654	LOWER KNIFE BUSHING	7

TITAN DK 2500

INDEX

Code Nr	Description	Page
25654	LOWER KNIFE BUSHING	18
25654K	PLUG	6
25654VL	SCREW	6
25654VL	SCREW	7
25654VL	SCREW	18
25655	LOWER KNIFE	7
25655V	SCREW	7
25655V	SCREW	18
25656	UPPER KNIFE	7
25657	UPPER KNIFE HOLDER	7
25657V	SCREW	7
25657V	SCREW	18
25658	POSITION LEVER	7
25658V	SCREW	7
25659	SLIDE BLOCK	7
25660	SHAFT	1
25660V	SCREW	1
25661	FEED SPRING	7
25662	SCREW	7
25663	SPRING	7
25681	SMALL LEVER	4
25681V	SCREW	4
25681VL	SCREW	4
25682	SHAFT	4
25685V	SCREW	4
25690	BUSHING	4
25690V	SCREW	4
25695	BIG LEVER	4
25695V	SCREW	4
25695VL	SCREW	4
25696	CONNECTION	4
25697	LINK PIN	4
25697	LINK PIN	7
25697	LINK PIN	18
25698	SMALL LEVER	4
25698V	SCREW	4
25698VL	SCREW	4
25699	PIN	3
25700	UPPER LOOPER	4
25700V	SCREW	4
25700VL	SCREW	4
25703	WASHER	4
25703R	SPRING	4
25704	THRUST PLATE	4
25704V	SCREW	4
25705	UPPER LOOPER	4

TITAN DK 2500

INDEX

Code Nr	Description	Page
25706	OIL WINDOW	4
25706A	STICKER	4
25706J	GASKET	4
25706V	SCREW	4
25720	ECCENTRIC	5
25720P	PROTECTION	5
25720R	WASHER	5
25720V	SCREW	5
25721	FEED ACROSS REGULATOR	5
25721V	SCREW	5
25722	WASHER	14
25722	WASHER	15
25722	WASHER	5
25722E	NUT	14
25722E	NUT	15
25722E	NUT	5
25724	BEARING BUSHING	5
25725	BEARING	3
25726	FEED DRIVING ROD	3
25728	FEED DRIVING LEVER	3
25728V	SCREW	3
25729	SHAFT	13
25730	BUSHING	3
25730V	SCREW	3
25734	THRUST COLLAR	13
25734	THRUST COLLAR	14
25734	THRUST COLLAR	3
25734V	SCREW	13
25734V	SCREW	14
25734V	SCREW	3
25734V	SCREW	18
25735	LEVER	3
25735V	SCREW	3
25736	STUD	3
25737	BASE	3
25737P	PROTECTION	3
25737V	SCREW	3
25739	FEEDDOG SHAFT	3
25742J	O-RING	3
25743VP	SCREW	3
25744	FEEDDOG	3
25744V	SCREW	3
25760	TENSION POST	12
25760	TENSION POST	6
25760	TENSION POST	6
25760	TENSION POST	6

TITAN DK 2500

INDEX

Code Nr	Description	Page
25760E	NUT	12
25760E	NUT	6
25760R	WASHER	12
25761	TENSION DISC	12
25761	TENSION DISC	6
25761	TENSION DISC	6
25762	TENSION SPRING 1,2 MM	6
25763	TENSION SPRING (0,6 mm)	12
25763	TENSION SPRING 0,6 MM	6
25764	TENSION REGULATING NUT	12
25764	NUT	6
25764	NUT	6
25768	ROLLER	6
25769	BEARING	6
25770R	WASHER	6
25770V	SCREW	6
25771E	NUT	6
25771R	WASHER	6
25772	ROLLER HOLDER	6
25773	THREAD GUIDE	6
25782VL	SCREW	3
25787	THREAD GUIDE HOLDER	6
25787R	WASHER	6
25787S	THREAD GUIDE HOLDER	6
25787V	SCREW	6
25789	BUSHING	6
25790	BLOCK SCREW	6
25791	THREAD GUIDE	6
25793	NUT	6
25794	PIN	6
25794A	PIN	6
25794R	WASHER	6
25799	SCREW	2
25800	THREAD TAKE UP LEVER	2
25800V	SCREW	2
25800VL	SCREW	2
25802	THREAD GUIDE	6
25803	THREAD GUIDE SUPP. SHAFT	6
25803V	SCREW	6
25804	THREAD GUIDE HOLDER	6
25804V	SCREW	6
25804VL	SCREW	6
25810	SCREW	8
25810P	PLATE	8
25810PV	SCREW	8
25810R	WASHER	8

TITAN DK 2500

INDEX

Code Nr	Description	Page
25810V	SCREW	8
25810VL	SCREW	8
25811	STITCH LENGTH GUIDE	8
25812	SPRING	8
25815	BEARING	8
25816	ROLLER	8
25817	WASHER	8
25818	BLOCK	8
25819	SCREW	8
25821	SCREW	8
25822	NUT	8
25823	STICKER STITCH ADJUSTER	8
25825	NUT	8
25833	PROTECTIVE PLATE	1
25833V	SCREW	1
25834	PLUG	4
25835	COVER	6
25835V	SCREW	6
25836V	SCREW	6
25837V	SCREW	6
25839	COVER	6
25839J	MACHINE GASKET	6
25840	SILENT BLOC	6
25844A	PLUG	5
25844B	STICKER	4
25844D	MACHINE HOLDER BUSHING DIA 45 MM	9
25844DS	MACHINE HOLDER BUSHING DIA 28 MM	9
25844S	MECHANIC WORKSTAND	9
25845	PLUG	3
25847	ELBOW	6
25852	PLUG	4
25852A	WASHER	4
25852V	SCREW	4
25858+B	HOUSING AND RING	12
25858V	SCREW	12
25858V	SCREW	12
25859	PISTON	12
25860	BUSHING	12
25861	O-RING	12
25862	SPRING	12
25876	TEFLON TABLE	16
25876P	TEFLON TABLE FOR PULLER	16
25878	ROD	16
25878V	SCREW	16
25880	BASE	17
25880E	NUT	17

TITAN DK 2500

INDEX

Code Nr	Description	Page
25880R	WASHER	17
25887	SHAFT	17
25887E	NUT	17
25887R	WASHER	17
25897	BASE SHAFT	17
25897V	SCREW	17
25901A+D	CYLINDER + BUSHING FOR DAC	13
25902A	BOTTEM PLATE FOR DAC	13
25902AV	SCREW	13
25903A	PISTON	13
25904A	BUSHING	13
25904A	BUSHING	15
25905A	BLOCK	13
25905AV	SCREW	13
25906A	COVER FOR CYLINDER	13
25907A	PRESSURE REDUCTION	15
25907A	PRESSURE REDUCTION	13
25907AB	MANOMETER	13
25907AB	MANOMETER	15
25908A	PNEUMATIC VALVE	13
25909A	SUPPORT MANO-RELEASER	13
25909A	SUPPORT MANO-RELEASER	15
25909AR	WASHER	13
25909AR	WASHER	15
25909AV	SCREW	13
25909AV	SCREW	15
25910A+D	CYLINDER AND BUSHING	12
25911A	PISTON	12
25911AB	SPRING	12
25911AJ	O-RING	12
25911AJ	O-RING	13
25915A	GASKET	12
25915A	GASKET	13
25916A	ELBOW	11
25916A	ELBOW	13
25916A	ELBOW	15
25916AB	BLIND PLUG	14
25916AB	BLINDPLUG	15
25916AB	BLINDPLUG	6
25916AN	BLINDPLUG	15
25917A-F2	TRANSPARENCE PIPE	10
25918AB/8	T-CONNECTION	13
25919A	SILENCER	13
25919A	SILENCER	15
25926A	SHOCK-BREAKER	12
25927A	SHAFT	12

TITAN DK 2500

INDEX

Code Nr	Description	Page
25928A	ROLLER SHAFT	12
25928A	ROLLER SHAFT	13
25930A	PIN	13
25930A	PIN	12
25930AE	NUT	12
25930AE	NUT	13
25932A	NEEDLE CAGE	12
25932A	NEEDLE CAGE	13
26010	BIG SHAFT	14
26010	BIG SHAFT	15
26010	SHAFT	3
26011	BUSHING	14
26011	BUSHING	15
26011	BUSHING	3
26012	BEARING	14
26012	BEARING	15
26012	BEARING	3
26019	PIN	14
26019	PIN	15
26020	LEVER	14
26020	LEVER	15
26020V	SCREW	14
26020V	SCREW	15
26020VL	SCREW	15
26021	LEVER	14
26021	LEVER	15
26021V	SCREW	14
26021V	SCREW	15
26021VL	SCREW	14
26022	WHEEL	14
26022	WHEEL	15
26023	WASHER	14
26023	WASHER	15
26023V	SCREW	14
26023V	SCREW	15
26025	LOWER SHAFT	14
26025	LOWER SHAFT	15
26026	UPPER SHAFT	14
26026	UPPER SHAFT	15
26027	FRAME	14
26027	FRAME	15
26027V	SCREW	14
26027V	SCREW	15
26027VL	SCREW	14
26027VL	SCREW	15
26028	BEARING	14

TITAN DK 2500

INDEX

Code Nr	Description	Page
26028	BEARING	15
26029	BUSHING	14
26029	BUSHING	15
26030	BEARING	14
26030	BEARING	15
26031	GEAR COVER	14
26031	GEAR COVER	15
26031V	SCREW	14
26031V	SCREW	15
26032	PIN	14
26032	PIN	15
26033	FIXATION SUPPORT	14
26033	FIXATION SUPPORT	15
26033V	SCREW	15
26033VL	SCREW	14
26033VL	SCREW	15
26034	BLOCK	14
26034	BLOCK	15
26036	SNAP RING	14
26036	SNAP RING	15
26037	BUSHING	14
26037	BUSHING	15
26038	CARDAN	14
26038	CARDAN	15
26041L	LEVER LEST	14
26041L	LEVER LEFT	15
26041R	WASHER	14
26041R	LEVER	15
26041V	SCREW	14
26041V	SCREW	15
26042	BEARING	14
26042	BEARING	15
26043	SHAFT FOR LEVERS	14
26043	SHAFT FOR LEVERS	15
26043A	BLOCK COLLAR	14
26043A	BLOCK COLLAR	15
26043AV	SCREW	14
26043AV	SCREW	15
26044	BUSHING	14
26044	BUSHING	15
26045	BEARING	14
26045	BEARING	15
26047	BLOCK	14
26047	BLOCK	15
26050	FRAME FOR PISTON - LEFT	14
26050	FRAME FOR PISTON	14

TITAN DK 2500

INDEX

Code Nr	Description	Page
26050V	SCREW	14
26051	COVER	14
26051	COVER	14
26051	COVER	15
26051V	SCREW	14
26051V	SCREW	14
26051V	SCREW	15
26052	O-RING	14
26052	O-RING	15
26053	O-RING	14
26053	O-RING	15
26054	PISTON	14
26055	O-RING	14
26055	O-RING	15
26056	LEVER	14
26056	LEVER	15
26056V	SCREW	14
26056V	SCREW	15
26057	PIN	14
26057	PIN	15
26057E	NUT	14
26057E	NUT	15
26057R	WASHER	14
26057R	WASHER	15
26060	FEED WHEEL	14
26060	FEED WHEEL	15
26060V	SCREW	14
26060V	SCREW	15
26061	BASE LOWER FEED DOG	14
26061	BASE LOWER FEED DOG	15
26061V	SCREW	14
26061V	SCREW	15
26061VL	SCREW	14
26061VL	SCREW	15
26062	LOWER FEED DOG (new model)	14
26062	LOWER FEED DOG (new mod)	15
26070	LEVER	14
26070	LEVER	15
26070V	SCREW	14
26070V	SCREW	15
26071	STUD	14
26071	STUD	15
26080	PISTON FRAME	15
26080V	SCREW	15
26081	BLOCK LIFTER	15
26081V	SCREW	15

TITAN DK 2500

INDEX

Code Nr	Description	Page
26082	CLOSING PLATE	15
26082V	SCREW	15
26083	PISTON	15
27324	WASHER	14
27324	WASHER	15
27324V	SCREW	14
27324V	SCREW	15
27373	CONNECTION	12
27373	CONNECTION	13
27373A	COUPLING	12
27382	VALVE FOR AIR FLOW LIMITATION	11
27384	MOUNTING PLATE	15
27435	SCREW	8
27442	SHAFT	14
27442	SHAFT	15
27442	PIN	4
27465	SUPPORT	16
27465V	SCREW	16
27465VL	SCREW	16
30560GR	CHAINE GUIDE	9
30566	TAPE GUIDE	9
30566R	WASHER	9
30566V	SCREW	9
35266B	SPOOL HOLDER BASE	17
35267	SPOOL HOLDER	17
35277	SOLENOID 2 WAYS	15
35278	PLATE D'OBT.	15
35280	SILENCER	15
35474	LINK	13
35474	LINK	15
35493	REDUCTION	15
35494	PNEUMATIC VALVE	15
35554B	BLOCK	15
35554V	SCREW	15
45080	GRIP NEEDLE COOLER	8
45080E	NUT	8
45080R	WASHER	8
45080V	SCREW	8
45088	COUPLING	8
45089	NEEDLE COOLER	8
45090	PLATE	8
45090V	SCREW	8
45091	BLOWER	8
45116	NUT	8
45116	NUT	5
45149	THRUST COLLAR	18

TITAN DK 2500

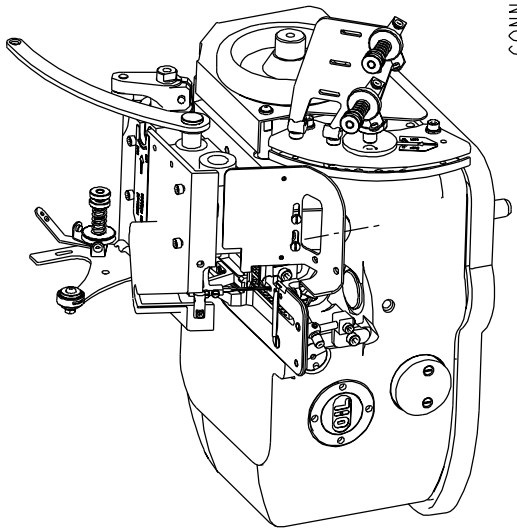
INDEX

Code Nr	Description	Page
45149V	SCREW	18
45150	UPPER KNIFE HOLDER	18
45466	VALVE	13
45466	VALVE	15
45467	MULT. DISTRIBUTOR	13
45467	MULT. DISTRIBUTOR	15
7713/230	NEEDLE	2
DK2500	SEWING HEAD	9
PUN 4	TUBE	8
PUN 4	TUBE	11
PUN 4	TUBE	11
PUN 4	TUBE	12
PUN 4	TUBE	12
PUN 4	TUBE	13
PUN 4	TUBE	15
SET 25259	LEVER + BEARING	18
SET 25362	FRAME PRESSURE FOOT	18
SET 25405	UPPER KNIFE	11
SET 25417	SENSOR	11
SET 25506	ROD WITH FORK	5
SET 25509	CONNECTING ROD	5
SET 25511	CONNECTING ROD COMPLETE	5
SET 25511A	COMPLETE ROD	5
SET 25520	COMPLETE BALL JOINT	4
SET 25525	UNDER LOOPER GUIDE COMPL	4
SET 25545	NEEDLE BAR LEVER	2
SET 25556	NEEDLE CLAMP ASSEMBLY	2
SET 25557TER+B	NEEDLE BAR BUSHING	2
SET 25620+R	FLANGE COMPLETE	5
SET 25641	LOWER KNIFE DRIVING LINK COMPL	5
SET 25647N	LOWER KNIFE LEVER COMPLETE	7
SET 25647N	LOWER KNIFE LEVER COMPLETE	18
SET 25657	UPPER KNIFE COMPLETE	7
SET 25682	COMPLETE LOOPER SCHAFT	4
SET 25685	COMPLETE INTERMEDIARY ASSEMBLY	4
SET 25743	COMPLETE FEEDDOG SHAFT GUIDE	3
SET 25760	TENSION LOWER LOOPER COMPLETE	12
SET 25760	TENSION COMPLETE	6
SET 25760/1	TENSION COMPLETE	6
SET 25765	THREAD GUIDE PLATE COMPLETE	12
SET 25765	THREAD GUIDE	6
SET 25765	THREAD GUIDE	6
SET 25765	THREAD GUIDE PLATE COMPLETE	6
SET 25837/3	TENSION HOLDER ASSEMBLY	12
SET 25837/3	TENSION HOLDER ASSEMBLY	6
SET 25839	COVER COMPLETE	10

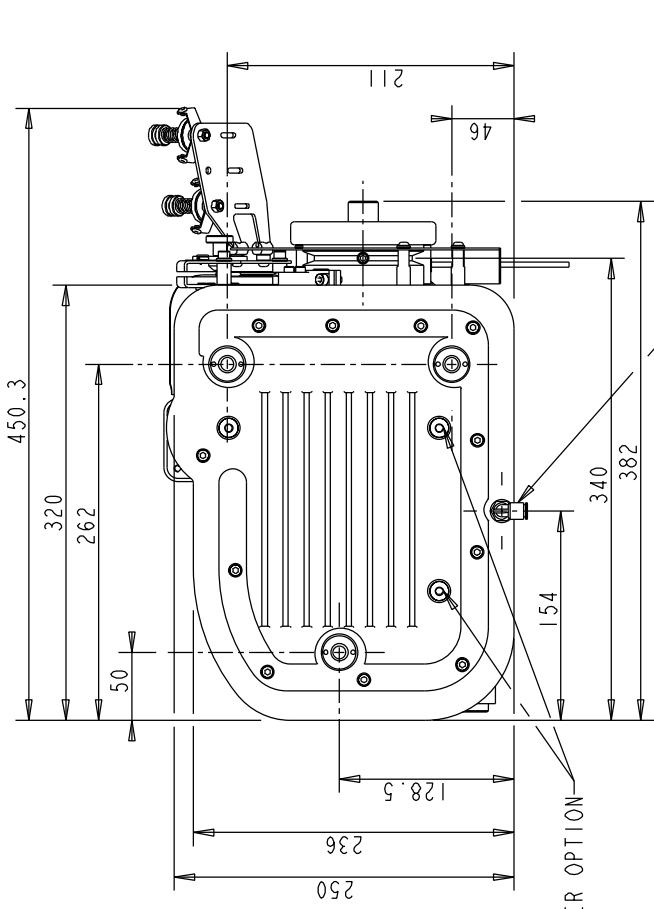
TITAN DK 2500

INDEX

Code Nr	Description	Page
SET 25839	COVER COMPLETE	6
SET 25853	TENSION POST HOLDER COMPLETE	6
SET 25858/SP	TENSION OPENER (W/O POTENCE)	12
SET 25906A	COVER FOR CYLINDER + SCREW	12
SET 26017	LEVER WITH BEARINGS	14
SET 26017	LEVER WITH BEARINGS	15
SET 27839	TAPE HOLDER	9
SET 30566	TAPE GUIDE COMPLETE	9
SET DK-2500/UKM	TRANSFORMATION DCD ==>UKM	18
Z20441	STUD	18
Z40239	CONNECTION	13
Z40239	CONNECTION	14



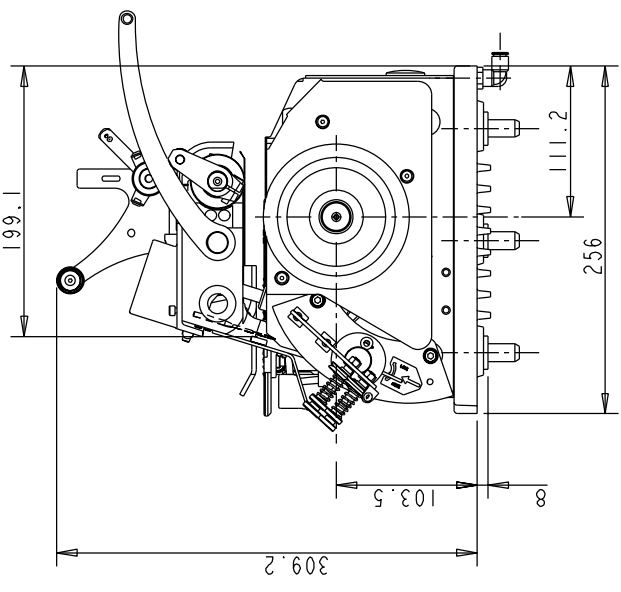
SCALE: 1/5



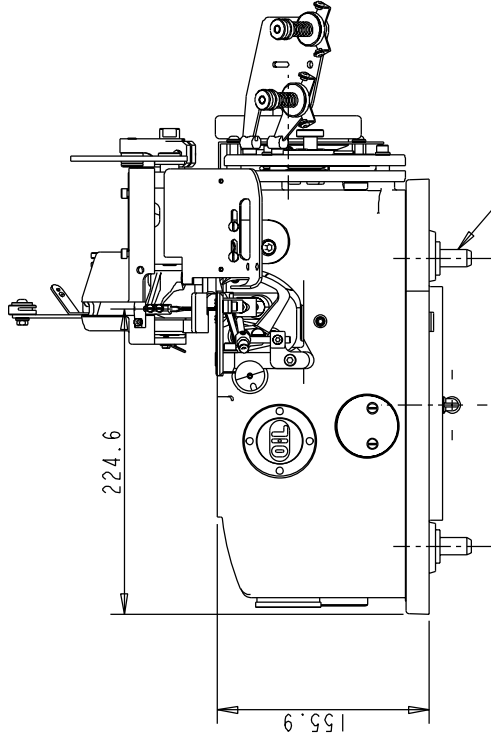
CONNECTION FOR OILFILTER OPTION

DRAIN FOR OILSPILLINGS

BOTTOMVIEW



LEFTVIEW



FRONTVIEW

MOUNTING BOLTS (3x)
PLACED ON SHOCKMOUNTS

DK2500 MAIN DIMENSIONS

T 31/08/04